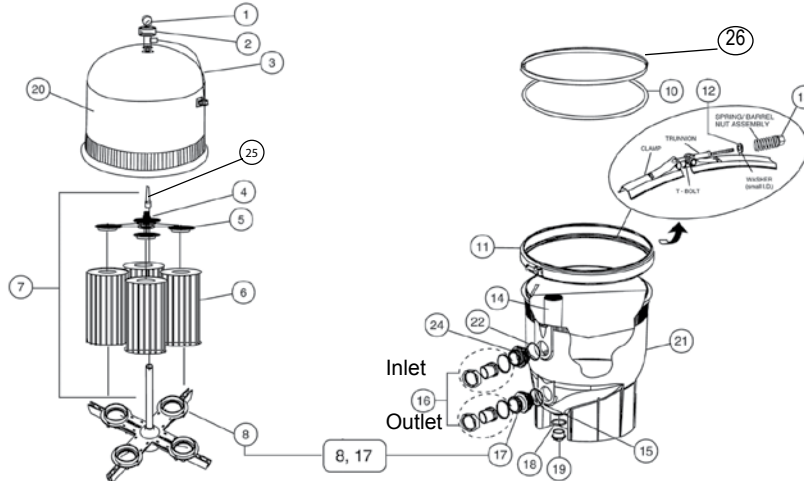


FILTER PARTS

Product Catalog 2023

CLEAN & CLEAR® PLUS FILTERS

REPLACEMENT PARTS FOR FIBERGLASS REINFORCED POLYPROPYLENE TANK



Item	Part No.	Description	US List	Can. List
CLEAN & CLEAR PLUS FILTERS				
1	190058Z	Gauge, pressure, 1/4 in.	64.42	77.41
2	98209800	High Flow manual air relief valve, HFMARV	51.45	61.82
4	178616	Spring, compression ²	9.68	11.63
5	170026	Manifold, top assembly, 240 sq. ft. ²	118.88	142.85
5	170027	Manifold, top assembly, 320, 420 & 520 sq. ft. ²	112.19	134.81
6	R173572	Cartridge element, 240 sq. ft., 4 req.	152.66	183.44
6	R173573	Cartridge element, 320 sq. ft., 4 req.	195.22	234.58
6	R173576	Cartridge, 420 sq. ft., 4 req. ²	239.50	287.78
6	R173578	Cartridge, 520 sq. ft., 4 req. ²	274.51	329.85
6	179133	CNC Plus 240 Cartridge (4/pk)	331.32	398.11
6	179134	CNC Plus 320 Cartridge (4/pk)	423.34	508.69
6	179135	CNC Plus 420 Cartridge (4/pk)	478.58	575.06
6	179136	CNC Plus 520 Cartridge (4/pk)	607.42	729.88
7	170030	Air bleed tube assembly, 240 sq. ft.	68.00	81.71
7	55028500	Air bleed tube assembly, 360, 420 sq. ft. ¹	CALL	CALL
7	170029	Air bleed tube assembly, 320 sq. ft. ²	68.97	82.87
7	170028	Air bleed tube assembly, 420 sq. ft. ²	70.11	84.24
7	55028400	Air bleed tube assembly, 500 sq. ft. ¹	CALL	CALL
7	178583	Air bleed tube assembly, 520 sq. ft. ²	68.00	81.71
8	170035	Manifold, bottom/pipe assembly, outlet ³	320.64	385.28
8	170040	Manifold, bottom ⁴	89.32	107.33
10	39010200Z	O-ring, clamp	83.77	100.66
11	190003	Clamp kit, tension control	478.84	575.37
12	53006300Z	Washer, .325 i.d. for filter clamp	6.66	8.00
12	195610	Washer, sm. i.d.	10.13	12.17
13	53108900Z	Spring/barrel nut assembly	71.54	85.96
14	190039	Baffle, bulkhead assembly ²	146.32	175.82
15	86006900	O-ring, bulkhead, lower	9.36	11.25
16	98960311	Bulkhead union, set ¹	95.95	115.29
16	271096	Bulkhead adapter kit, 2 in. O.D. white	91.52	109.97

Item	Part No.	Description	US List	Can. List
16	270004	Bulkhead adapter kit, 2 in. O.D. black	96.70	116.19
16	270100	Bulkhead union kit, 2 in. I.D. Black	100.25	120.46
16	274426	Bulkhead adapter kit, 2-1/2 in. x 2 in. I.D. White	CALL	CALL
17	170035	Pipe assembly, outlet/manifold, bottom (includes bulkhead 178575 and O-rings 86006900 & 3544571) ²	320.64	385.28
18	86300500	Drain cap gasket ¹	7.60	9.13
18	51005000	O-ring for drain plug ²	10.39	12.48
18	191474	O-ring for drain plug ⁸	1.32	1.59
19	51516200	Drain cap ¹	36.89	44.33
19	86202000	Plug, 1-1/2 in. drain with O-ring ²	28.58	34.34
19	190030Z	Cap plug ⁸	44.77	53.80
20	170023	Tank, lid assembly, 240 sq. ft.	358.12	430.32
20	170024	Tank, lid assembly, 320 sq. ft.	436.11	524.03
20	178581	Tank, lid assembly, 420 sq. ft. ²	498.41	598.89
20	178550	Tank, lid assembly, 500 sq. ft. ¹	CALL	CALL
20	178582	Tank, lid assembly, 520 sq. ft. ²	587.16	705.53
21	178578	Tank, bottom assembly ²	811.08	974.59
22	192320	O-ring, bulkhead, upper ²	5.68	6.83
22	86006900	O-ring, bulkhead, upper & lower ^{1,7}	9.36	11.25
23	195339	SS back-up ring ⁵	108.91	130.87
24	194801	Bulkhead, 2-3/8, 8 buttress thread ²	153.17	184.05
25	190106Z	Air Screen	40.11	48.20
26	195339	RNG Backup Ring SS	108.91	130.87
NOT SHOWN				
	192019	Drain plug wrench	74.59	89.63
	178708	Parts Bag - includes warranty card, instructions, and items 1, 2, and 16.	146.16	175.63

¹ Used on filters manufactured before 11/98.

² Used on filters manufactured after 11/98.

³ Used on filters manufactured between 11/98 thru 12/00.

⁴ Used on filters manufactured after 12/00.

⁵ Used on filters manufactured after 3/03.

⁶ Used on filters manufactured between 3/03, thru 7/1/03.

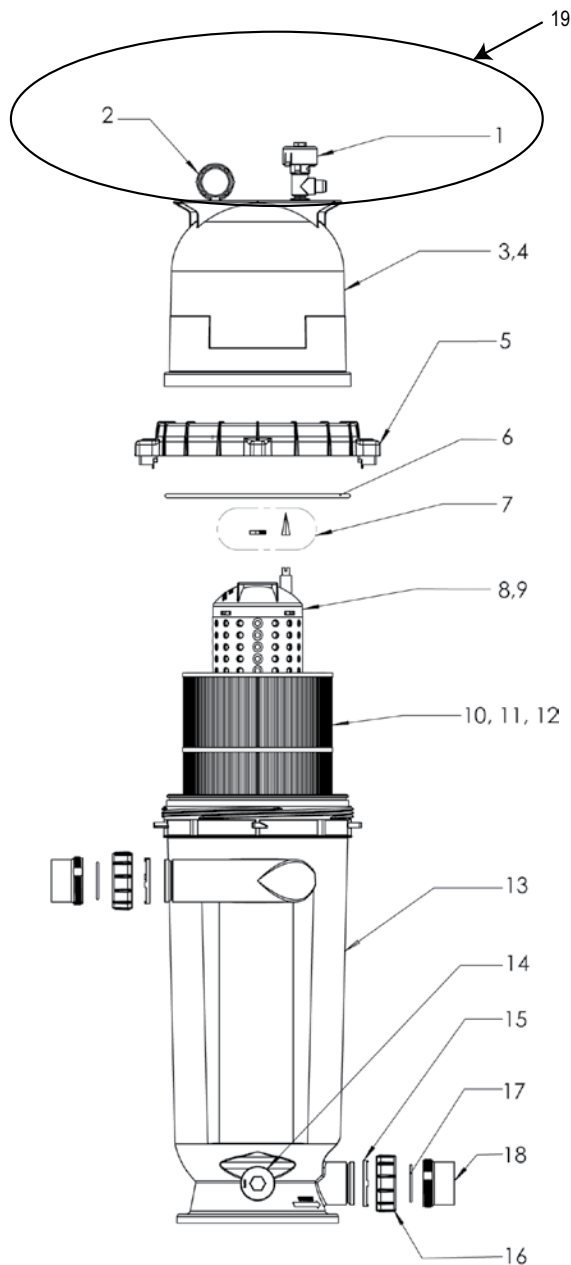
⁷ Used on filters manufactured after 10/04.

⁸ Used on filters manufactured after 5/21/05.

CLEAN & CLEAR® RP FILTERS

REPLACEMENT PARTS FOR FIBERGLASS REINFORCED POLYPROPYLENE TANK

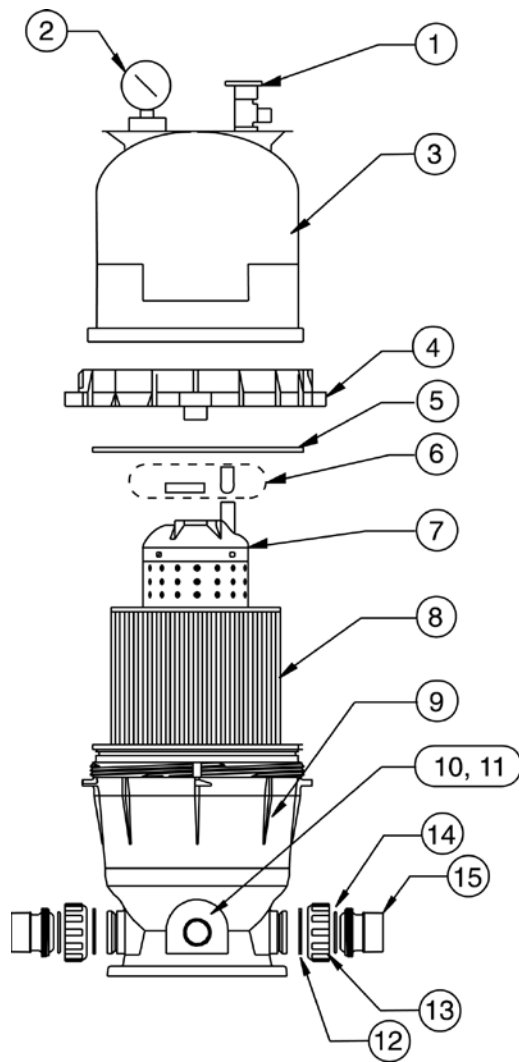
Item	Part No.	Description	US List	Can. List
CLEAN & CLEAR RP FILTERS				
1	98209800	High flow manual air relief valve	51.45	61.82
2	190058Z	Pressure gauge	64.42	77.41
3	178548Z	Lid, 100 sq. ft. filter	223.85	268.98
4	178546Z	Lid, 150, 200 sq. ft. filter	223.85	268.98
5	59052900	Locking ring assembly	147.32	177.02
6	87300400Z	Body O-ring	14.53	17.46
7	59016200	Air bleed sock kit	19.72	23.70
8	59053700	Center core, 100 sq. ft. filter	205.21	246.58
9	59053800	Center core, 150, 200 sq. ft. filter	314.49	377.89
10	R173215	Cartridge element, 100 sq. ft. filter	217.12	260.89
11	R173216	Cartridge element, 150 sq. ft. filter	286.06	343.73
12	R173217	Cartridge element, 200 sq. ft. filter	357.03	429.01
13	178731Z	Tank bottom	520.32	625.22
14	154712Z	Drain cap assembly	44.75	53.77
14	191474	O-ring	1.32	1.59
14	190030Z	Drain Cap Plug	44.77	53.80
15	178732Z	Union nut "C" clip	11.53	13.85
16	U11-200PSZ	Union nut	16.28	19.56
17	178746Z	Union diamond seal	6.23	7.49
18	178733Z	Union, threaded half	66.10	79.43
19	170096	Air relief kit	136.54	164.07
NOT SHOWN				
	154715	Drain cap gasket	8.43	10.13



CALIFORNIA PROPOSITION 65 WARNING
 ⚠️ **WARNING:** Cancer and Reproductive Harm.
 ⚠️ **AVERTISSEMENT:** Peut Causer le Cancer et des Dommages au Système Reproducteur.
 ⚠️ **ADVERTENCIA:** Cáncer y Daño Reproductivo.
www.p65warnings.ca.gov PN 200754

CLEAN & CLEAR® / PREDATOR™ FILTERS

REPLACEMENT PARTS FOR FIBERGLASS REINFORCED POLYPROPYLENE TANK



Item	Part No.	Description	US List	Can. List
CLEAN & CLEAR / PREDATOR FILTERS				
1	98209800	High Flow manual air relief valve	51.45	61.82
2	190058Z	Gauge, pressure	64.42	77.41
3	178553	Lid, 50, 100 sq. ft., almond	240.09	288.49
3	178561	Lid, 75, 150, 200 sq. ft., almond	223.85	268.98
4	59052900	Locking ring assembly	147.32	177.02
5	87300400Z	Body O-ring	14.53	17.46
6	59016200	Air bleed sock kit	19.72	23.70
7	59053500	Center core 50 sq. ft.	174.63	209.84
7	59053600	Center core 75 sq. ft.	176.03	211.52
7	59053700	Center core 100 sq. ft.	205.21	246.58
7	59053800	Center core 150, 200 sq. ft.	314.49	377.89
8	R173213	Cartridge element 50 sq. ft.	136.61	164.15
8	R173214	Cartridge element 75 sq. ft.	177.01	212.70
8	R173215	Cartridge element 100 sq. ft.	217.12	260.89
8	R173216	Cartridge element 150 sq. ft.	286.06	343.73
8	R173217	Cartridge element 200 sq. ft.	357.03	429.01
9	178562	Bottom 50 sq. ft., almond	423.80	509.24
9	178554	Bottom 75 sq. ft., almond	421.20	506.11
9	178563	Bottom 100 sq. ft., almond	540.09	648.97
9	178560	Bottom 150, 200 sq. ft., almond	527.29	633.59
10	51516200	Drain cap ¹	36.89	44.33
10	86202000	Plug, 1-1/2 in. drain, w/ O-ring ²	28.58	34.34
11	86300500	Drain cap gasket ¹	7.60	9.13
11	51005000	O-ring, drain cap ²	10.39	12.48
12	39104500	Union nut "C" clip	2.83	3.40
13	98212200	Union nut	16.28	19.56
14	071426	O-ring, union	2.40	2.88
15	79304600	Body, swivel	33.22	39.92

¹ Used on filters manufactured before 11/98.

² Used on filters manufactured after 11/98.

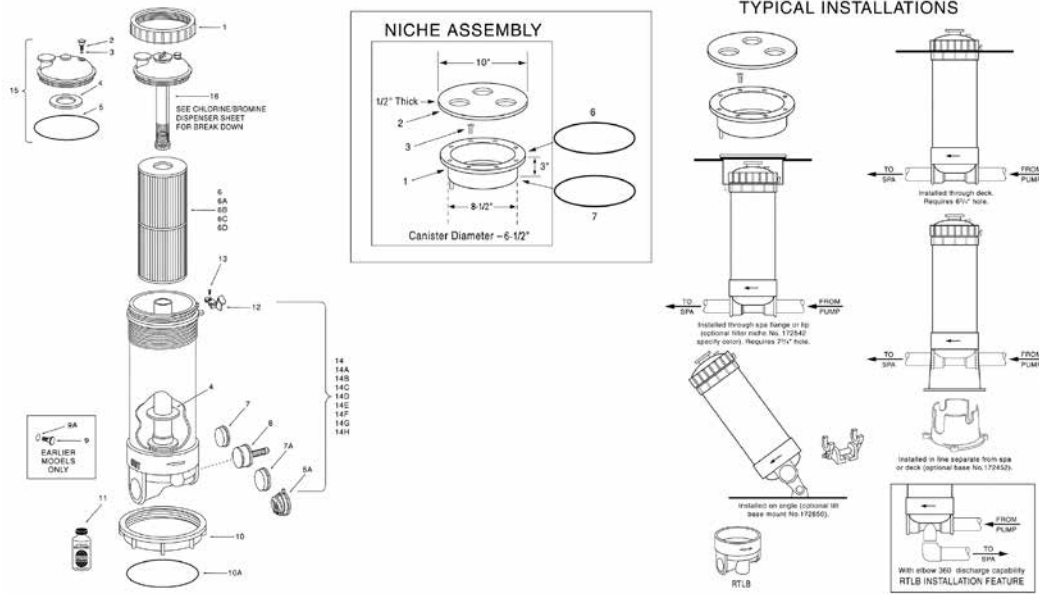
CALIFORNIA PROPOSITION 65 WARNING

⚠ **WARNING:** Cancer and Reproductive Harm.
 ⚠ **AVERTISSEMENT:** Peut Causer le Cancer et des Dommages au Système Reproducteur.
 ⚠ **ADVERTENCIA:** Cáncer y Daño Reproductivo.

www.p65warnings.ca.gov

DYNAMIC® FILTER SERIES II & III RTL/RCF

REPLACEMENT PARTS



Item	Part No.	Qty.	Description	US List	Can. List
TOP LOAD IN LINE CARTRIDGE FILTER MODEL RTL/RCF 1-1/2 IN. & 2 IN. HIGH FLOW					
1	R172214	1	Lock ring	26.29	31.59
2	R172224XZ	1	Air vent valve	CALL	CALL
3	R172221Z	1	O-ring for air vent valve	CALL	CALL
4	R172222Z	2	Gasket, cartridge	CALL	CALL
5	R172223Z	1	O-ring lid to housing	CALL	CALL
6	R173428	1	25 sq. ft. cartridge, 6 oz. ¹	77.96	93.68
6A	R172327	1	25 sq. ft. cartridge, 3 oz. ¹	46.42	55.78
6B	R173434	1	50 sq. ft. cartridge ¹	98.88	118.81
6C	R173435	1	75 sq. ft. cartridge	121.92	146.50
6D	R172633	1	100 sq. ft. cartridge	141.49	170.01
7	R172225X	1	1-1/2 in. Plug to disable by-pass	2.23	2.68
7A	R172679	1	2 in. Plug to disable by-pass	8.81	10.59
8	R172226X	1	1-1/2 in. By-pass assembly	6.82	8.19
8A	R172684	1	2 in. By-pass assembly	14.86	17.86
8B	R172226XF	1	1-1/2 in. By-pass assembly, low flow	8.03	9.65
9	R172392	2	1/4 in. Access plug, earlier models	8.56	10.29
9A	R172393	2	Access plug O-ring, earlier models	8.56	10.29
10	R172370	1	Bottom locking flange	19.08	22.93
10A	R170070	Opt.	O-ring, locking flange	9.39	11.28
11	R172036Z	Opt.	Silicone lubricant	14.55	17.48
12	R172374	1	Lock spring	8.56	10.29
13	R172375	1	Lock screw	2.17	2.61

Item	Part No.	Qty.	Description	US List	Can. List
14	R172386	1	RTL/RCF-25 housing assembly 1-1/2 in., slip ²	131.92	158.52
14A	R172387	1	RTL/RCF-25 housing assembly 1-1/2 in., FPT ²	131.92	158.52
14B	R172388	1	RTL/RCF-50 housing assembly 1-1/2 in., slip ²	131.92	158.52
14C	R172389	1	RTL/RCF-50 housing assembly, 1-1/2 in., FPT ²	131.91	158.50
14E	R172421	1	RTL/RCF-25 housing assembly, 2 in. slip ²	125.59	150.91
14F	R172428	1	RTL/RCF-50 housing assembly, 2 in. slip ²	125.59	150.91
14G	R172638	1	RTL/RCF-75 housing assembly, 2 in. slip ²	140.29	168.57
14H	R172639	1	RTL/RCF-100 housing assembly, 2 in. slip ²	140.82	169.21
15	R172385	1	Lid assembly, complete	37.81	45.43
16	R172540	1	Chlorine/bromine dispenser, complete, RCF	109.06	131.05
RTL AND RCF NICHE ASSEMBLY (R172542)					
1	R172610DG	1	Niche only, dark grey	22.86	27.47
3	R172612	8	No. 10 x 3/4, SS flat head screw	2.17	2.61
4	R170072	Opt.	O-ring, niche to spa	10.38	12.47
5	R170070	Opt.	O-ring, filter to niche	9.39	11.28
NOT SHOWN					
	R172452	Opt.	Free standing base	18.35	22.05
	R170070	Opt.	O-ring, filter to niche	9.39	11.28
	R170072	Opt.	O-ring, niche to spa	10.38	12.47

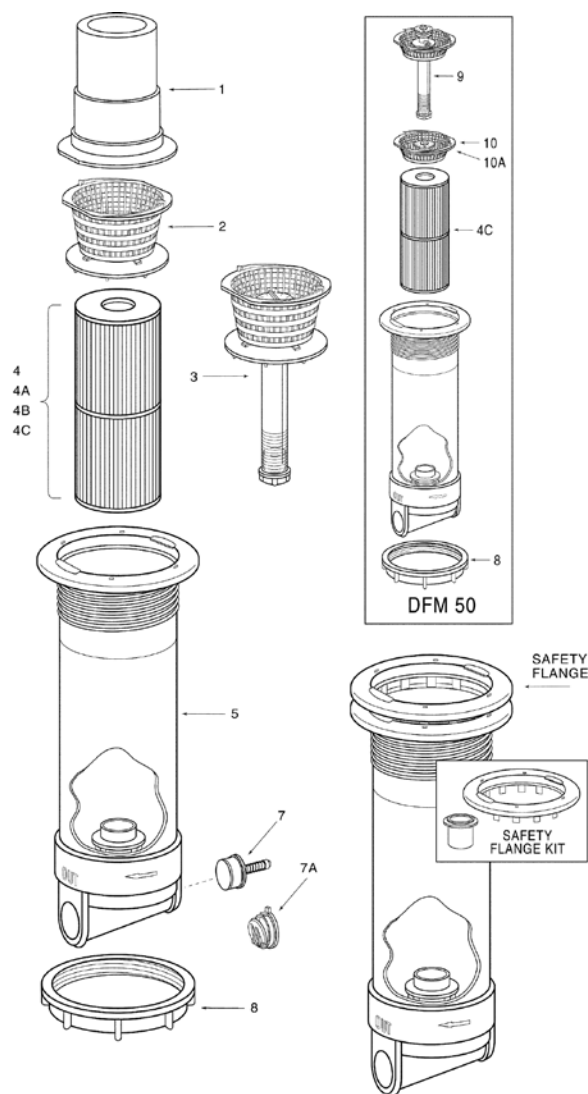
¹ All three cartridges are interchangeable.

² Only one applies to your filter, check model number when ordering.

Note: Specify color of cover and niche desired by adding letters after part no., as follows: SS (sterling silver), WH (white), BLK (black).

DYNAMIC® FILTER SERIES IV - DFM, DFML

REPLACEMENT PARTS



Item	Part No.	Qty.	Description	US List	Can. List
DFML 25C, 25, 35, 50 LILY PAD SKIM FILTER					
1	R172660	1	Lily skimmer float assembly	CALL	CALL
2	R172661	1	Lily basket w/ restrictor assembly	22.15	26.62
3	R172662	1	Lily chemical dispenser w/ basket and restrictor assembly	CALL	CALL
4A	R172327	1	Cartridge, 25 sq. ft., 13-1/4	46.42	55.78
4B	R173431	1	Cartridge, 35 sq. ft., 9-1/4	80.38	96.58
4C	R173434	1	Cartridge, 50 sq. ft., 13-1/4	98.88	118.81
5	R172665X	1	Housing only DFML-25 WH compact w/safety flange	151.39	181.91
7	R172682	1	2 in. By-pass assembly	11.30	13.58
8	R172370	1	Bottom locking flange	19.08	22.93
DFM 50 LOW PROFILE, NO WEIR					
9	R172562	1	Chemical dispenser w/ short basket	89.66	107.74
10	R22113	1	Basket assembly, short	9.22	11.08
10A	R172686	Opt	Basket short w/ restrictor assembly	22.89	27.50

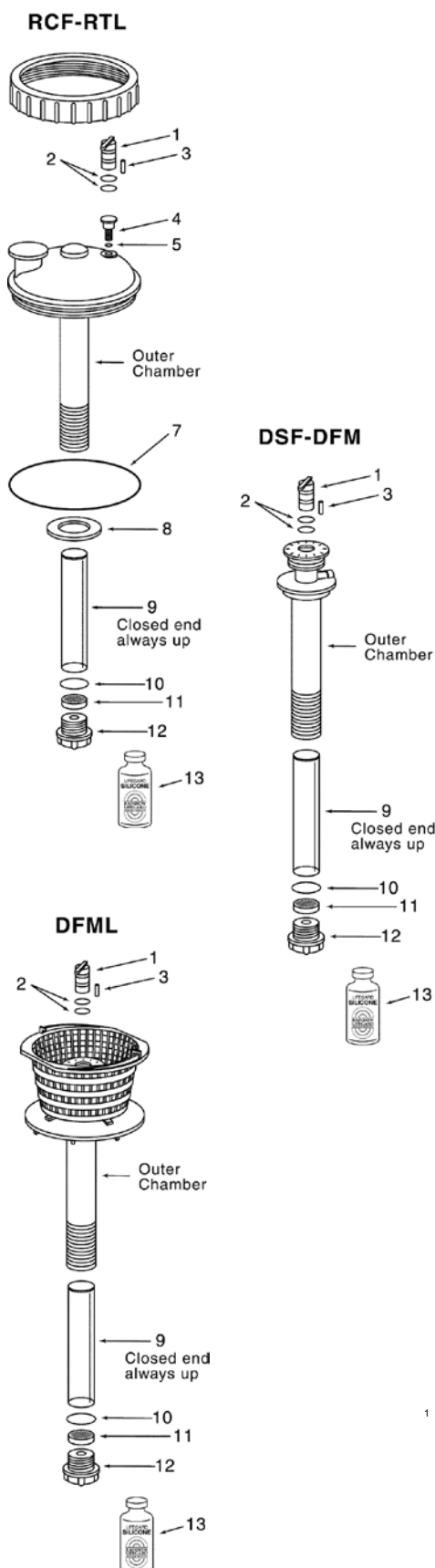
CALIFORNIA PROPOSITION 65 WARNING

⚠ **WARNING:** Cancer and Reproductive Harm.
 ⚠ **AVERTISSEMENT:** Peut Causer le Cancer et des Dommages au Système Reproducteur.
 ⚠ **ADVERTENCIA:** Cáncer y Daño Reproductivo.

www.p65warnings.ca.gov. P6500714

DYNAMIC® FILTER SERIES CHLORINE/BROMINE DISPENSERS

REPLACEMENT PARTS



Item	Part No.	Qty.	Description	US List	Can. List
CHLORINE/BROMINE DISPENSER (R172540/R172540F FOR RCF-RTL)					
1	R172399	1	Control valve stem	8.56	10.29
2	R33017	2	O-ring, control valve	0.57	0.68
3	R18854	1	Stop pin	2.23	2.68
4	R172224XZ	1	Air vent valve	CALL	CALL
5	R172221Z	1	O-ring for air vent valve	CALL	CALL
6	R172400	1	Inlet screen ¹	2.23	2.68
7	R172223Z	1	O-ring lid to housing	CALL	CALL
8	R172222Z	1	Gasket, cartridge	CALL	CALL
9	R172457	1	Replacement inner chamber	11.46	13.77
10	R172451	1	O-ring, check valve	2.17	2.61
11	R172401	1	Screen, check valve ¹	2.23	2.68
12	R172406	1	Check valve assembly	CALL	CALL
13	R172036Z	Opt.	Silicone lubricant	14.55	17.48
CHLORINE/BROMINE DISPENSER (R172560 FOR DSF-DFM)					
1	R172399	1	Control valve stem	8.56	10.29
2	R33017	2	O-ring, control valve	0.57	0.68
3	R18854	1	Stop pin	2.23	2.68
6	R172400	1	Inlet screen ¹	2.23	2.68
9	R172457	1	Replacement inner chamber	11.46	13.77
10	R172451	1	O-ring, check valve	2.17	2.61
11	R172401	1	Screen, check valve ¹	2.23	2.68
12	R172406	1	Check valve assembly	CALL	CALL
13	R172036Z	Opt.	Silicone lubricant	14.55	17.48
CHLORINE/BROMINE DISPENSER WITH BASKET (R172662 FOR DFML)					
1	R172399	1	Control valve stem	8.56	10.29
2	R33017	2	O-ring, control valve	0.57	0.68
3	R18854	1	Stop pin	2.23	2.68
6	R172400	1	Inlet screen ¹	2.23	2.68
9	R172457	1	Replacement inner chamber	11.46	13.77
10	R172451	1	O-ring, check valve	2.17	2.61
11	R172401	1	Screen, check valve ¹	2.23	2.68
12	R172406	1	Check valve assembly	CALL	CALL
13	R172036Z	Opt.	Silicone lubricant	14.55	17.48

¹ Item No. 6 and No. 11 screens are snapped into place and can easily be removed for cleaning or replacement.

CALIFORNIA PROPOSITION 65 WARNING

⚠ **WARNING:** Cancer and Reproductive Harm.
 ⚠ **AVERTISSEMENT:** Peut Causer le Cancer et des Dommages au Système Reproducteur.
 ⚠ **ADVERTENCIA:** Cáncer y Daño Reproductivo.

www.p65warnings.ca.gov
PH 202114

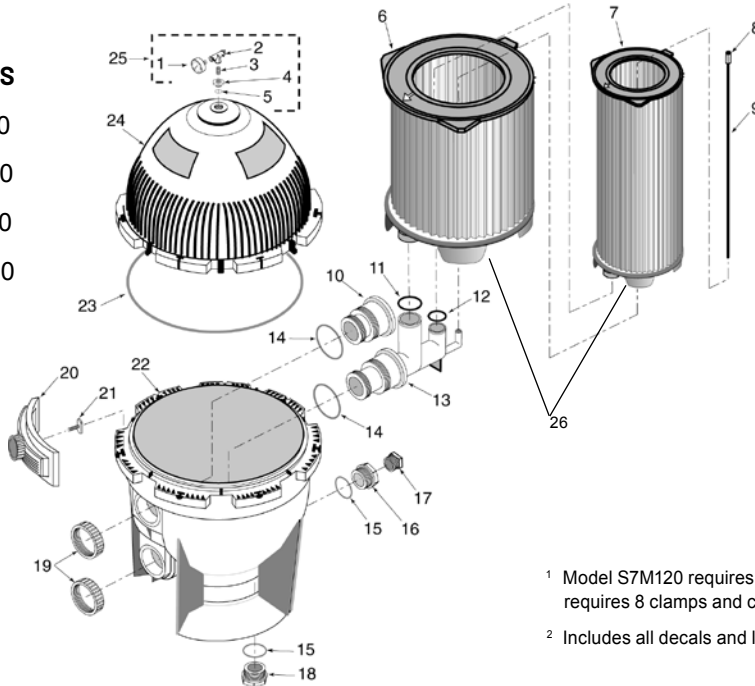
SYSTEM:3® MODULAR MEDIA FILTERS

SM SERIES REPLACEMENT PARTS



MODELS

- S7M120
- S7M400
- S8M150
- S8M500



CALIFORNIA PROPOSITION 65 WARNING
 ⚠️ **WARNING:** Cancer and Reproductive Harm.
 ⚠️ **AVERTISSEMENT:** Peut Causer le Cancer et des Dommages au Système Reproducteur.
 ⚠️ **ADVERTENCIA:** Cáncer y Daño Reproductivo.
www.p65warnings.ca.gov P192027A

- ¹ Model S7M120 requires 7 clamps and clamp bolts. Model S8M 150 requires 8 clamps and clamp bolts.
- ² Includes all decals and labels.

Item	Part No.	Description	US List	Can. List
SYSTEM:3 MODULAR MEDIA FILTERS				
1	33600-0023T	2 in. Gauge	67.37	80.95
2	154689Z	Air Release Valve	42.76	51.38
3	35202-0959	Nipple	19.76	23.74
4	24900-0504	Adapter Bushing	26.31	31.61
5	35505-1423	O-Ring	2.83	3.40
6	25022-0201S	Large Cartridge (S7M120, 21 in. Filter)	751.26	902.71
6	25022-0224S	Large Cartridge (S7M400, 21 in. Filter)	1028.19	1235.47
6	25022-0203S	Large Cartridge (S8M150, 25 in. Filter)	1018.53	1223.87
6	25022-0225S	Large Cartridge (S8M500, 25 in. Filter)	1052.25	1264.38
7	25021-0200S	Small Cartridge (S7M120)	378.06	454.28
7	25021-0223S	Small Cartridge (S7M400)	418.99	503.46
7	25021-0202S	Small Cartridge (S8M150)	626.03	752.24
7	25021-0224S	Small Cartridge (S8M500)	756.07	908.49
8	WC8-126Z	Air Bleed Filter	21.63	25.99
9	25021-0003	Air Bleed Tube	13.75	16.52
10	25021-0101	Baffle and Bulkhead Fitting	100.42	120.66
11	35505-1428	O-Ring	8.15	9.79
12	35505-1429	O-Ring	6.54	7.86
13	25021-0100	Elbow and Bulkhead Assembly	149.57	179.72
14	35505-1425	O-Ring	21.78	26.17
15	35505-1424	O-Ring	13.06	15.69
16	24900-0509	Adapter Fitting	40.47	48.63
17	27001-0022	1-1/2 in. NPT Plug	4.16	5.00
18	24900-0503	Drain Plug	40.26	48.38

Item	Part No.	Description	US List	Can. List
19	24752-0050	Bulkhead Retaining Nut	34.78	41.79
20	24850-0200	Clamp Assembly ¹	184.13	221.25
21	24850-0010	Clamp Bolt ¹	44.58	53.57
22	24850-0102S	Lower Tank Half, 21 in. Filter	1574.94	1892.45
22	24851-0103S	Lower Tank Half, 25 in. Filter	1779.48	2138.22
23	24850-0008	Cord Ring, 21 in. Filter	90.26	108.46
23	24850-0009	Cord Ring, 25 in. Filter	103.29	124.11
24	24851-9000	Upper Tank Half Kit, 21 in. Filter ²	1410.37	1694.70
24	24851-9001	Upper Tank Half Kit, 25 in. Filter ²	1734.79	2084.52
25	24850-0105	Valve & Gauge Assembly (Includes #1, 2, 3, 4, 5)	140.96	169.38
26	170145	S7M120 Inner/Outer Cartridge Pack	756.16	908.60
26	170146	S7M400 Inner/Outer Cartridge Pack	1039.70	1249.30
26	170147	S8M150 Inner/Outer Cartridge Pack	1228.73	1476.44
26	170148	S8M500 Inner/Outer Cartridge Pack	1606.81	1930.74

NOT SHOWN				
	24850-0016	Clamp Retaining Ring ¹	9.48	11.39
	U11-196PSZ	Adapter Union 2 in. Slip	13.46	16.17
	U11-200PSZ	Union Collar 2 in.	16.28	19.56
	PKG 188Z	2 in. Slip 1/2 Union Kit	45.59	54.78
	U9-362	O-Ring	7.45	8.95
	25021-0021	Modular media Conversion Kit (Includes #10, 11, 12, 13, 14, 19. Must also purchase item 6 and 7 separately)	451.12	542.07

Product on pages 62–63.

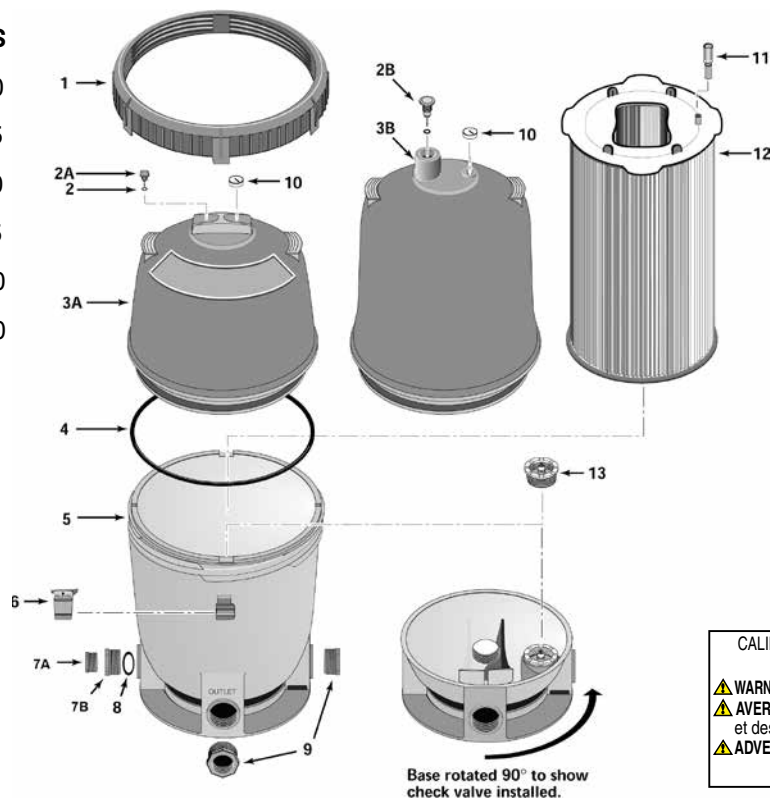
SYSTEM:2™ MODULAR MEDIA FILTERS

PLM SERIES REPLACEMENT PARTS



MODELS

- PLM100
- PLM125
- PLM150
- PLM175
- PLM200
- PLM300



CALIFORNIA PROPOSITION 65 WARNING
 ⚠️ **WARNING:** Cancer and Reproductive Harm.
 ⚠️ **AVERTISSEMENT:** Peut Causer le Cancer et des Dommages au Système Reproducteur.
 ⚠️ **ADVERTENCIA:** Cáncer y Daño Reproductivo.
www.p65warnings.ca.gov PLM201714A

Item	Part No.	Description	US List	Can. List
SYSTEM:2 MODULAR MEDIA FILTERS				
1	27001-0054S	Posi-Lok™ ring	297.86	357.91
2	U9-359	O-ring	1.14	1.37
2A	25010-0200	Air release valve assy. w/ O-ring P/N U9-359	26.76	32.15
2B	24206-0103S	Air vent stem w/ O-ring P/N 35505-7439	15.18	18.24
3A	27001-0020S	Tank shell upper half ^{1,5} Models PLM100, PLM125, PLM150, PLM175, PLM200	446.09	536.02
3B	27001-0030S	Tank shell upper half ^{1,5} Model PLM300	701.68	843.14
4	27001-0061S	Cord-ring	77.72	93.39
4	27001-0060S	Cord-ring (Pre 3/97) Models PLM100, PLM150	77.03	92.56
5	27001-0009S	Tank shell lower half ^{4,5}	757.79	910.56
6	27001-0051	Safety latch for ring	20.96	25.19
7A	27001-0022	1-1/2 in. NPT plug	4.16	5.00
7B	24900-0510	Adapter fitting	40.47	48.63
8	35505-1424	O-ring	13.06	15.69

Item	Part No.	Description	US List	Can. List
9	U78-820P	2 in. x 1-1/2 in. Pipe reducer ²	19.19	23.06
10	15060-0000T	Pressure gauge ³	64.53	77.54
11	24800-0121	Air bleed assembly	25.86	31.07
12	27002-0100S	Filter module - Model PLM100	395.99	475.82
12	27002-0125S	Filter module - Model PLM125	477.14	573.33
12	27002-0150S	Filter module - Model PLM150	587.82	706.32
12	27002-0175S	Filter module - Model PLM175	661.57	794.94
12	27002-0200S	Filter module - Model PLM200	737.85	886.60
12	27002-0300S	Filter module - Model PLM300	949.35	1140.74
13	27001-0130S	Spring check valve ²	32.32	38.84
NOT SHOWN				
	33455-1050	Spring check valve gasket	5.81	6.98

¹ Includes all decals and labels.

² Optional Equipment.

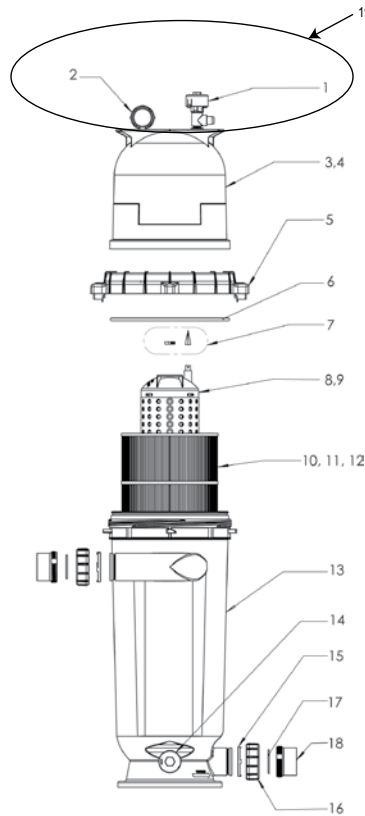
³ Shipped in accessory package.

⁴ Includes 24900-0510 adapter fitting, 27001-0051 safety latch, & 27001-0054 PosiLok™ ring.

⁵ Filters manufactured before 2005 should also purchase a top and bottom.

POSI-CLEAR™ RP FILTERS

PXC SERIES REPLACEMENT PARTS

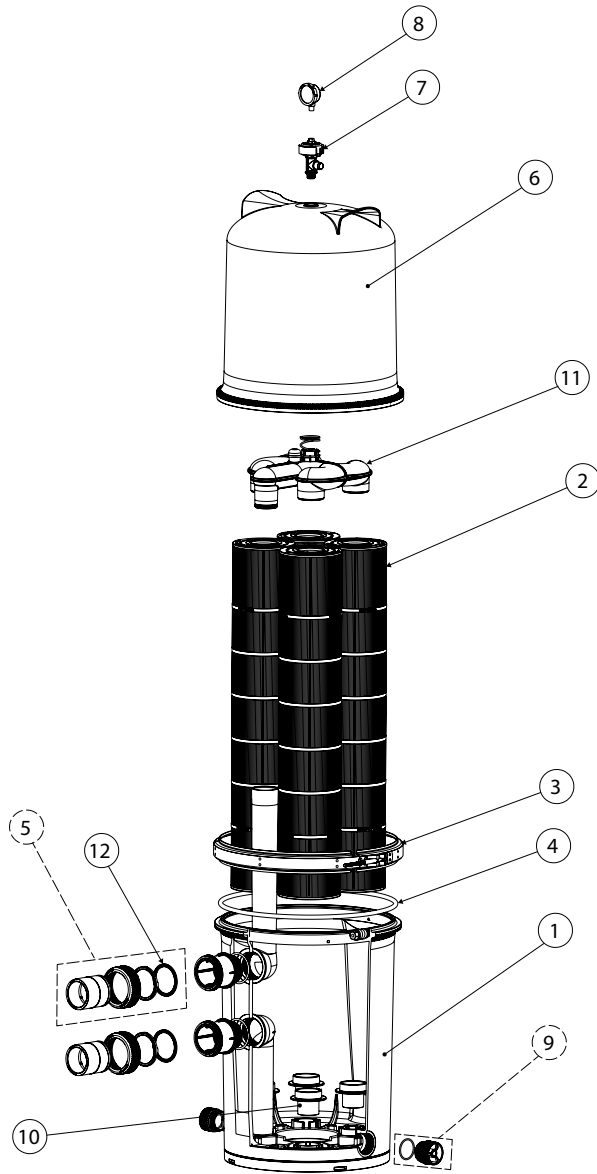


CALIFORNIA PROPOSITION 65 WARNING
 ⚠️ **WARNING:** Cancer and Reproductive Harm.
 ⚠️ **AVERTISSEMENT:** Peut Causer le Cancer et des Dommages au Système Reproducteur.
 ⚠️ **ADVERTENCIA:** Cáncer y Daño Reproductivo.
www.p65warnings.ca.gov P192017A

Item	Part No.	Description	US List	Can. List
POSI-CLEAR RP FILTERS				
1	98209800	High flow manual air relief valve	51.45	61.82
2	190058Z	Pressure gauge	64.42	77.41
3	59053001Z	Lid, 100 sq. ft. filter	240.09	288.49
4	178745Z	Lid, 150, 200 sq. ft. filter	223.85	268.98
5	59052900	Locking ring assembly	147.32	177.02
6	87300400Z	Body O-ring	14.53	17.46
7	59016200	Air bleed sock kit	19.72	23.70
8	59053700	Center core, 100 sq. ft. filter	205.21	246.58
9	59053800	Center core, 150, 200 sq. ft. filter	314.49	377.89
10	R173215	Cartridge element, 100 sq. ft. filter	217.12	260.89
11	R173216	Cartridge element, 150 sq. ft. filter	286.06	343.73
12	R173217	Cartridge element, 200 sq. ft. filter	357.03	429.01
13	178743Z	Tank bottom	520.32	625.22
14	190030Z	Drain	44.77	53.80
14	191474	O-ring	1.32	1.59
15	178732Z	Union nut "C" clip	11.53	13.85
16	U11-200PSZ	Union nut	16.28	19.56
17	178746Z	Union diamond seal	6.23	7.49
18	178733Z	Union, threaded half	66.10	79.43
19	170097	Air Relief Parts Kits	136.54	164.07

FULLFLOXF®

HIGH EFFICIENCY FILTERS REPLACEMENT PARTS



Item	Part No.	Description	US List	Can. List
FULLFLOXF Q-SERIES				
1*	175403	Tank Bottom	CALL	CALL
2	178750z	Filter Cartridge (Qty 4)	CALL	CALL
3	190003	Clamp Ring Assembly	478.84	575.37
4	39010200z	O-ring, Tank	83.77	100.66
5	178829	Bulkhead Kit (Qty 2)	CALL	CALL
6	178833	Tank Lid	CALL	CALL
7	98209800	Manual Air Relief Valve	51.45	61.82
8	190058z	Pressure Gauge	64.42	77.41
9	178816	Drain Plug Kit	CALL	CALL
10	178697z	Support Pipe (Qty 4)	CALL	CALL
11	178838	Top Manifold Kit	CALL	CALL
12	410016z	Diamond Seal Kit	17.75	21.33
NOT SHOWN				
—	178840	Anchor Clamp Kit	CALL	CALL

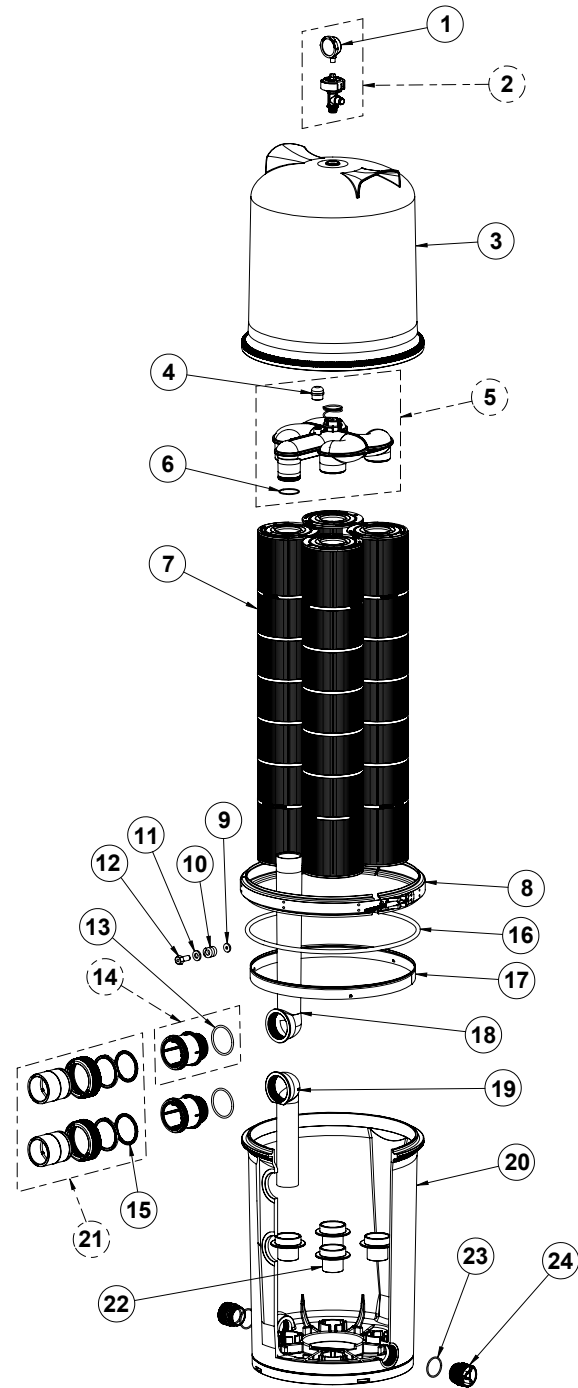
(*) - Tank Bottom (item #1) includes items 5 and 9.

FULLFLOXF®

HIGH EFFICIENCY FILTERS REPLACEMENT PARTS

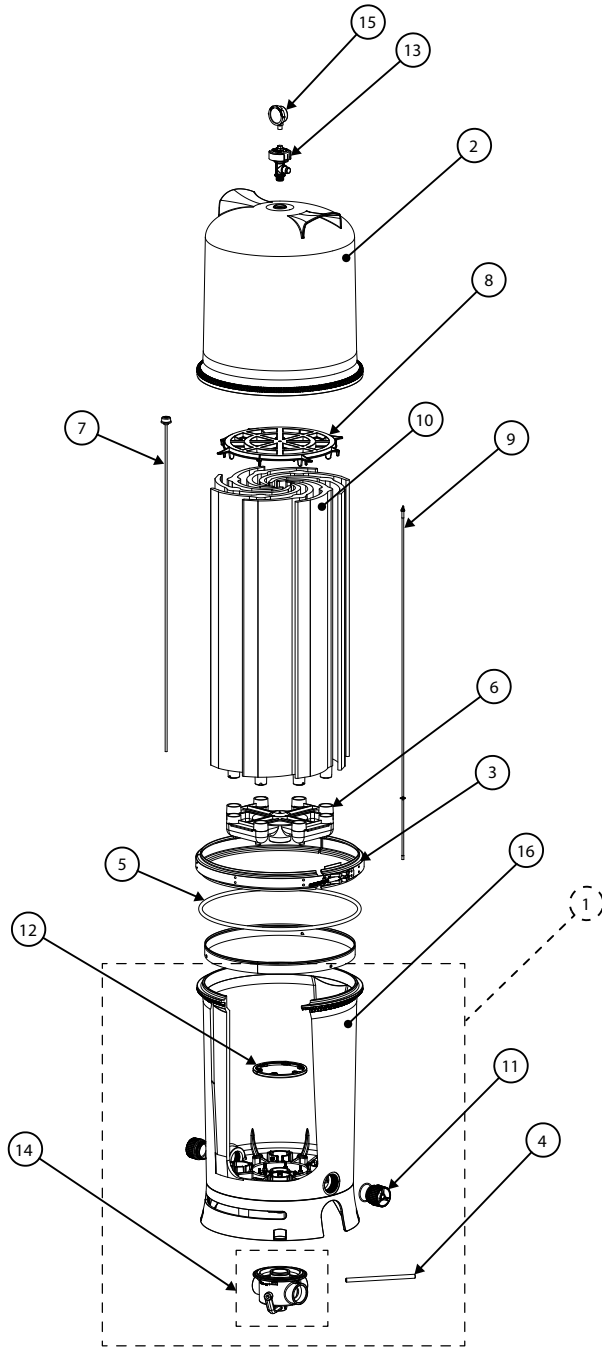
Item	Part No.	Description	US List	Can. List
FULLFLOXF C-SERIES				
1	190058z	Pressure Gauge	64.42	77.41
2	98209800	Manual Air Relief Valve	51.45	61.82
3	178810	Tank Lid	CALL	CALL
4	190106z	Air Bleed Screen Cap	40.11	48.20
5	178838	Top Manifold Kit	CALL	CALL
6	192323	O-ring, Manifold	9.45	11.36
7	170102	Filter Cartridge (Qty 4)	308.30	370.45
8	190003	Clamp Ring Assembly	478.84	575.37
9	195610	Clamp Washer, Small	10.13	12.17
10	195612	Clamp Spring	35.81	43.03
11	195611	Clamp Washer, Large	10.89	13.09
12	194997	Clamp Barrel Nut	20.20	24.27
13	R170055	O-ring, Bulkhead (Qty 2)	8.56	10.29
14	178829	Bulkhead Kit (Qty 2)	CALL	CALL
15	410016z	Diamond Seal Kit	17.75	21.33
16	39010200z	O-ring, Tank	83.77	100.66
17	195339	Backup Ring	108.91	130.87
18	178691z	Pipe Outlet	CALL	CALL
19	198249z	Pipe Inlet	CALL	CALL
20*	178830	Tank Bottom	CALL	CALL
21	410020z	Union Kit	CALL	CALL
22	178697z	Support Pipe (Qty 4)	CALL	CALL
23	273062	O-ring, Drain (Qty 2)	2.40	2.88
24	178816	Drain Plug (Qty 2)	CALL	CALL
NOT SHOWN				
—	178840	Anchor Clamp Kit	CALL	CALL

(*) - Tank Bottom (item #20) includes items 14, 17, 18, 19 and 24



FULLFLOXF®

HIGH EFFICIENCY FILTERS REPLACEMENT PARTS

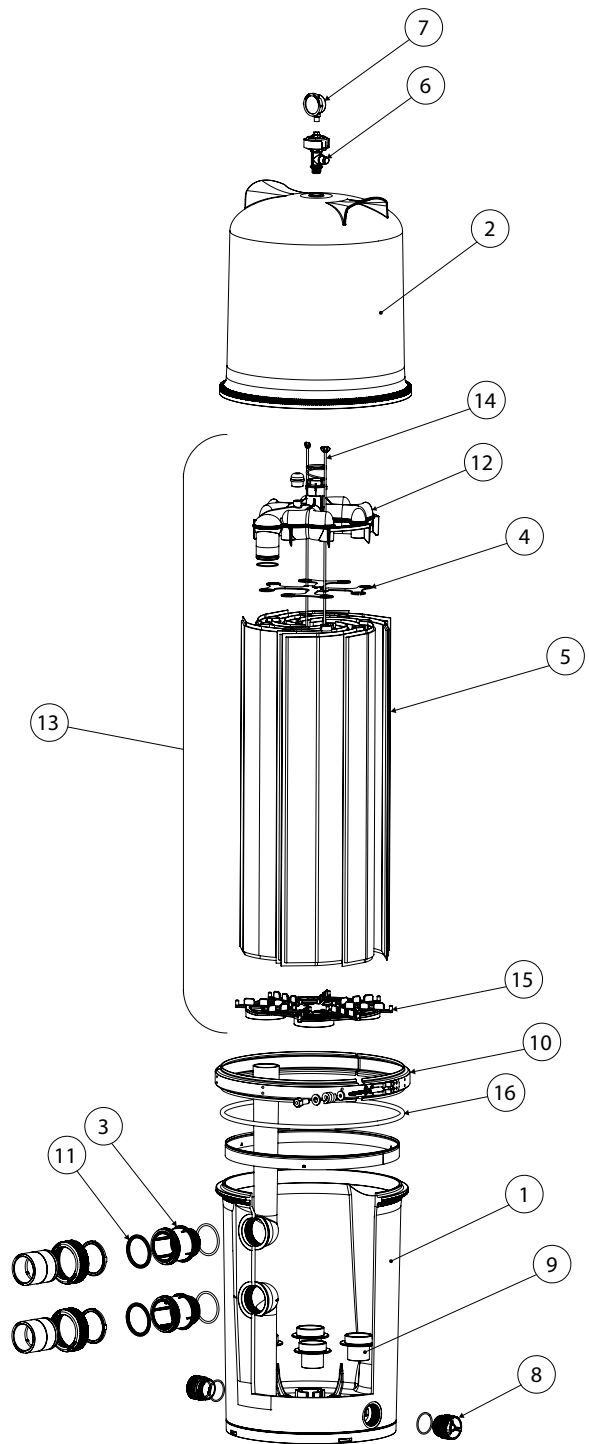


Item	Part No.	Description	US List	Can. List
FULLFLOXF FV-SERIES				
1	178815	Tank Bottom Assembly	CALL	CALL
2	178810	Tank Lid	CALL	CALL
3	190003	Clamp Ring Assembly	478.84	575.37
4	178817	Valve Handle	CALL	CALL
5	39010200z	O-ring, Tank	83.77	100.66
6	178827	Bottom Manifold with Vent Tube	CALL	CALL
7	178814	Center Rod and Washer	CALL	CALL
8	071019Z	Holding Wheel	52.03	62.52
9	178818	Air Bleed Tube	CALL	CALL
10	074926	Grid Element (Qty 8)	90.19	108.37
11	178816	Drain Plug and O-ring	CALL	CALL
12	178820	Ring Compression Kit	CALL	CALL
13	98209800	Manual Air Relief Valve	51.45	61.82
14	178828	Backwash Valve Assembly	CALL	CALL
15	190058z	Pressure Gauge	64.42	77.41
16	178821	Tank Bottom	CALL	CALL
NOT SHOWN				
—	178840	Anchor Clamp Kit	CALL	CALL
—	073370	Rotor and Seal	218.84	262.96

FULLFLOXF®

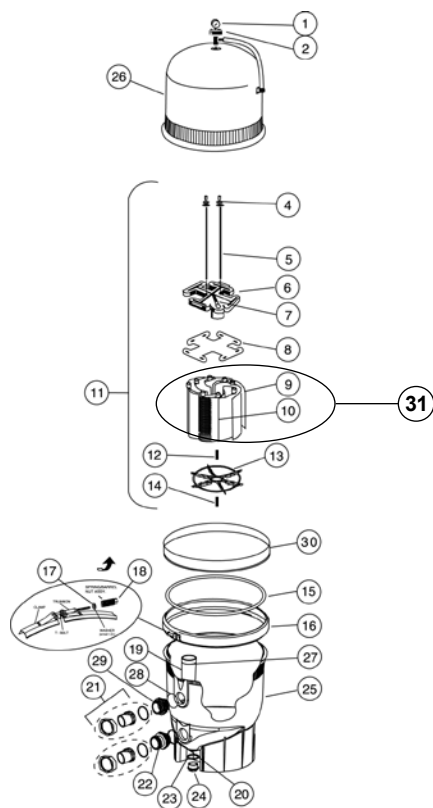
HIGH EFFICIENCY FILTERS REPLACEMENT PARTS

Item	Part No.	Description	US List	Can. List
FULLFLOXF F-SERIES				
1	176203	Tank Bottom	CALL	CALL
2	178810	Tank Lid	CALL	CALL
3	178829	Bulkhead Kit (Qty 2)	CALL	CALL
4	59003600	Filter Grid Assembly (Qty 7)	83.05	99.79
5	59003500	Filter Grid	86.19	103.57
6	98209800	Manual Air Relief Valve	51.45	61.82
7	190058z	Pressure Gauge	64.42	77.41
8	178816	Drain Plug (Qty 2)	CALL	CALL
9	178697z	Support Pipe (Qty 4)	CALL	CALL
10	190003	Clamp Ring Assembly	478.84	575.37
11	410016z	Diamond Seal Kit	17.75	21.33
12	178200	Top Manifold	CALL	CALL
13	178903	Element Grid Assembly	CALL	CALL
14	173703	Tie Rod	CALL	CALL
15	198245z	Grid Locator	CALL	CALL
16	39010200z	O-ring, Tank	83.77	100.66
NOT SHOWN				
—	196052	Parts Kit	CALL	CALL
—	178840	Anchor Clamp Kit	CALL	CALL



FNS® PLUS FILTERS

REPLACEMENT PARTS FOR VERTICAL GRID FILTERS



Item	Part No.	Description	US List	Can. List
FNS PLUS FILTERS				
1	190058Z	Gauge, pressure	64.42	77.41
2	98209800	High Flow manual air relief valve, HFMARV	51.45	61.82
4	071404Z	Wing nut	21.28	25.57
5	59000800	Tie rod, 24 sq. ft. filter	55.10	66.21
5	59001500	Tie rod, 36 sq. ft. filter	58.95	70.83
5	59002100	Tie rod, 48 sq. ft. filter	64.39	77.37
5	59002700	Tie rod, 60 sq. ft. filter	64.39	77.37
6	59023700	Manifold, top w/air bleed	222.32	267.14
7	190092	Internal ail bleed assembly Pre 10/09 - porous white material After 10/09 - stainless steel mesh	40.32	48.45
8	98725800	Template, filter	11.52	13.84
9	59001100	Grid, lg. 12 in., 24 sq. ft. filter, 7 req.	33.85	40.67
9	59001800	Grid, lg. 18 in., 36 sq. ft. filter, 7 req.	41.33	49.66
9	59002400	Grid, lg. 24 in., 48 sq. ft. filter, 7 req.	51.86	62.31
9	59003000	Grid, lg. 30 in., 60 sq. ft. filter, 7 req.	64.83	77.90
10	59001000	Grid, sm. 12 in., 24 sq. ft. filter, 1 req.	35.87	43.10
10	59002300	Grid, sm. 24 in., 48 sq. ft. filter, 1 req.	55.39	66.56
10	59002900	Grid, sm. 30 in., 60 sq. ft. filter, 1 req.	66.48	79.88
10	59001700	Grid, sm. 18 in., 36 sq. ft. filter, 1 req.	44.03	52.91
11	59023800	Assembly, element grid, complete, 24 sq. ft. filter	658.73	791.53
11	59023500	Assembly, element grid, complete, 36 sq. ft. filter	587.25	705.64

Item	Part No.	Description	US List	Can. List
FNS PLUS FILTERS				
11	59023400	Assembly, element grid, complete, - 48 sq. ft. filter	665.46	799.62
11	59023300	Assembly, element grid, complete, - 60 sq. ft. filter	704.76	846.84
12	98211400	Nut, 1/4-20, plated brass	3.82	4.59
13	59000500	Spider, grid locator	118.88	142.85
14	58001000	Nut, lock, hex, nylon	3.10	3.72
15	39010200Z	O-ring, tank clamp, .470 O.D.	83.77	100.66
16	190003	Clamp, kit	478.84	575.37
17	195610	Washer, .325 i.d. for filter clamp	10.13	12.17
18	53108900Z	Spring/barrel nut assembly	71.54	85.96
19	190034	Assembly, standpipe, outlet, 24 sq. ft. filter, 4-3/8 in. tall	96.70	116.19
19	190035	Assembly, standpipe, outlet, 36 sq. ft. filter, 10-3/8 in. tall	103.65	124.55
19	190036	Assembly, standpipe, outlet, 48 sq. ft. filter, 16-3/8 in. tall	119.89	144.06
19	190037	Assembly, standpipe, outlet, 60 sq. ft. filter, 22-3/8 in. tall	112.95	135.72
20	86006900	O-ring, bulkhead	9.36	11.25
21	271096	Bulkhead union, set (Optional)	91.52	109.97
21	270100	Valve Adapter Kit, 2 in. Black (Optional)	100.25	120.46
22	190043	Assembly, pipe, inlet, includes bulkhead	160.52	192.88
23	51005000	O-ring for drain plug	10.39	12.48
23	191474	O-ring for drain plug ³	1.32	1.59
24	86202000	Plug, 1-1/2 in. drain, w/ O-ring	28.58	34.34
24	190030Z	Cap drain ³	44.77	53.80
25	170015	Tank bottom, assembly, 24 sq. ft. filter	763.29	917.17
25	170016	Tank bottom, assembly, 36 sq. ft. filter	757.10	909.73
25	170017	Tank bottom, assembly, 48 sq. ft. filter	764.53	918.66
25	170018	Tank bottom, assembly, 60 sq. ft. filter	768.03	922.86
26	170019	Tank lid, 24 sq. ft. filter	354.94	426.50
26	170020	Tank lid, 36 sq. ft. filter	432.43	519.61
26	170021	Tank lid, 48 sq. ft. filter	523.56	629.11
26	170022	Tank lid, 60 sq. ft. filter	610.61	733.71
27	59000600	O-ring, bulkhead	9.36	11.25
28	192320	O-ring 2-137 Buna N 70SH ¹	5.68	6.83
28	86006900	O-ring bulkhead ²	9.36	11.25
29	190141	Bulkhead Kit, 2 in. w/ O-ring ²	159.83	192.05
30	195339	SS back-up ring ⁴	108.91	130.87
31	198080	24 Grid Element Pack (7 large, 1 small)	257.68	309.63
31	198081	36 Grid Element Pack (7 large, 1 small)	294.51	353.88
31	198082	48 Grid Element Pack (7 large, 1 small)	386.56	464.49
31	198083	60 Grid Element Pack (7 large, 1 small)	423.34	508.69
NOT SHOWN				
	192019	Wrench, drain plug	74.59	89.63
	196019	Parts Bag (Includes warranty card, instruction book, and items 1 and 2)	103.43	124.28

¹ Used on filters manufactured before 10/04.

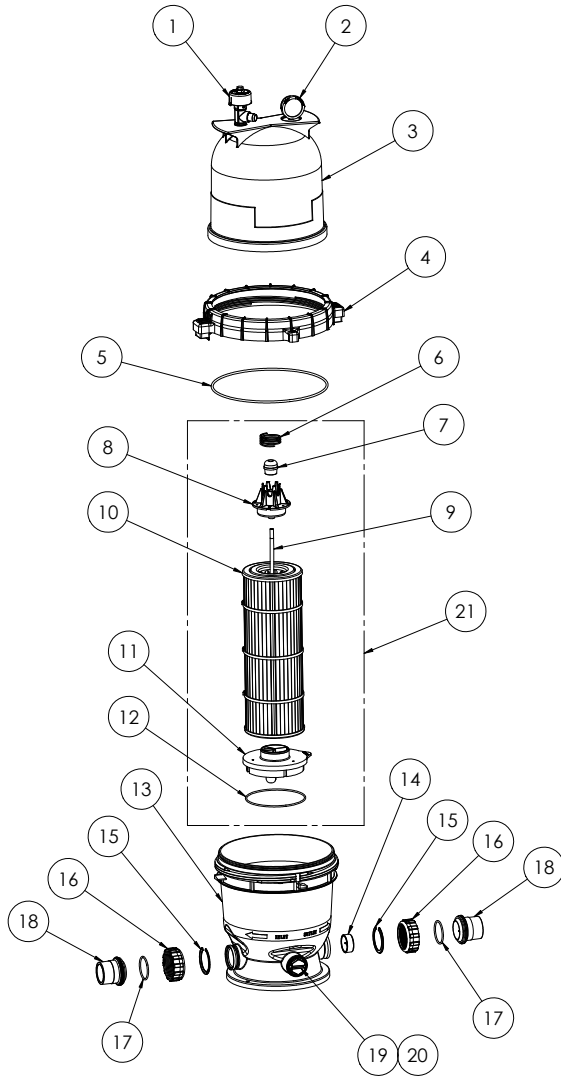
³ Used on filters manufactured after 5/21/05.

² Used on filters manufactured after 10/04.

⁴ Used on filters manufactured after 2/03.

EASYSOON™ D.E. FILTERS

REPLACEMENT PARTS



Item	Part No.	Description	US List	Can. List
EASYSOON FILTER SYSTEMS				
1	98209800	High Flow Manual Air Relief Valve	51.45	61.82
2	190058Z	Pressure Gauge	64.42	77.41
3	178561	Lid, Almond	223.85	268.98
4	59052900	Locking Ring Assy	147.32	177.02
5	87300400Z	Body O-Ring	14.53	17.46
6	178616	Compression Spring	9.68	11.63
7	190106Z	Air Bleeder	40.11	48.20
8	178626	Center Core Top, EC	27.33	32.84
9	U37-3/8P	Air Bleeder Tube, EC60	CALL	CALL
9	U37-3/8P	Air Bleeder Tube, EC90	CALL	CALL
10	178757	Cartridge Element, EC60	127.42	153.11
10	178656	Cartridge Element, EC90	260.17	312.62
11	178627	Center Core Bottom, EC	23.87	28.68
12	071422	O-Ring, Center Core	10.39	12.48
13	178562	Tank Bottom, EC60	423.80	509.24
13	178563	Tank Bottom, EC90	540.09	648.97
14	51516100	Check Valve Kit	59.74	71.78
15	39104500	C-Clip (Union Nut)	2.83	3.40
16	98212200	Union Nut	16.28	19.56
17	071426	O-Ring, Union	2.40	2.88
18	79304600	Body Swivel	33.22	39.92
19	86202000	Drain Cap with O-Ring	28.58	34.34
20	51005000	O-Ring Drain Cap	10.39	12.48
21 ¹	196060	Element Retro Kit, EC60	204.79	246.08
21 ¹	196090	Element Retro Kit, EC90	295.81	355.45
NOT SHOWN				
	155151	Flex Hose Kit (6 ft.) *	146.69	176.26
	155005	Flex Hose Kit (12 ft.) *	193.59	232.62

CALIFORNIA PROPOSITION 65 WARNING

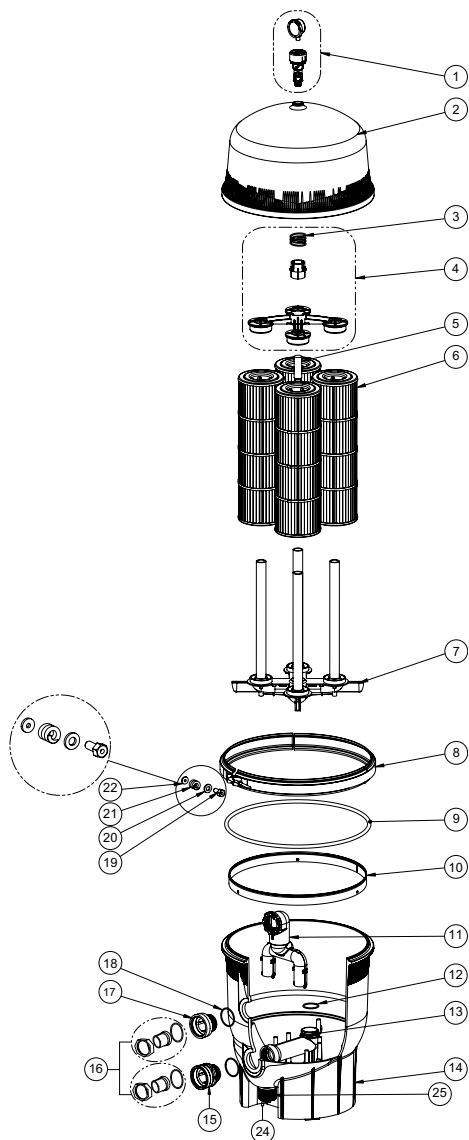
⚠️ **WARNING:** Cancer and Reproductive Harm.
 ⚠️ **AVERTISSEMENT:** Peut Causer le Cancer et des Dommages au Système Reproducteur.
 ⚠️ **ADVERTENCIA:** Cáncer y Daño Reproductivo.
www.p65warnings.ca.gov

¹ Item 21 includes items 6 through 12. Item 21 replaces the Center Core, Cartridge Element, and Air Bleeder Sock Kit on filters manufactured before 2014.

* Replacement Hose Kits include two (2) hoses, four (4) hose adapters and four (4) hose clamps.

QUAD D.E.® FILTERS

REPLACEMENT PARTS



Item	Part No.	Description	US List	Can. List
QUAD D.E. FILTERS				
1	98209800	Assy. Manual air relief valve	51.45	61.82
2	170024	Lid, Quad 60	436.11	524.03
2	178581	Lid, Quad 80	498.41	598.89
2	178582	Lid, Quad 100	587.16	705.53
3	178616	Spring compression	9.68	11.63
4	170026	Manifold top assembly	118.88	142.85
5	170029	Air bleeder assy., Quad 60	68.97	82.87
5	170028	Air bleeder assy., Quad 80	70.11	84.24
5	178583	Air bleeder assy., Quad 100	68.00	81.71
6	178656	Cartridge, Quad 100 *	260.17	312.62
6	178655	Cartridge, Quad 80 *	212.89	255.81
6	178654	Cartridge, Quad 60 *	132.47	159.18
7	170059	Manifold assy. Bottom	248.16	298.19
8	190003	Kit Clamp Band	478.84	575.37
9	39010200Z	O-ring RPM tank clamp	83.77	100.66
10	195339	Ring back-up - FNS Pls	108.91	130.87
11	196024S	Divertor Assembly, Retro Kit	146.29	175.78
12	354571	O-ring	5.23	6.28
13	170036	Pipe outlet - RPM fltr	140.43	168.74
14	195999	Bottom tank w/ drain plug 7-1/2 in.	845.58	1016.05
15	178575	Bulkhead bottom	36.72	44.12
16	178711	Parts Bag - includes warranty card, instruction Book, Adapter Kit (270100) and Pressure Gauge (190058Z)	148.72	178.70
17	194801	Bulkhead - 2-3/8-8 butt	153.17	184.05
18	86006900	O-ring 2-329 bulkhead RPM	9.36	11.25
19	194997	Nut - Spl	20.20	24.27
20	195611	Washer - lg id	10.89	13.09
21	195612	Spring	35.81	43.03
22	195610	Washer - sm id	10.13	12.17
24	191474	O-ring for Drain Plug	1.32	1.59
25	190030Z	Cap Drain	44.77	53.80
NOT SHOWN				
*	190106Z	Repl. Screen Cap for Air Bleeder Assy.	40.11	48.20
	274426	Adapter Kit - 2-1/2 in. x 2 in.	CALL	CALL

CALIFORNIA PROPOSITION 65 WARNING

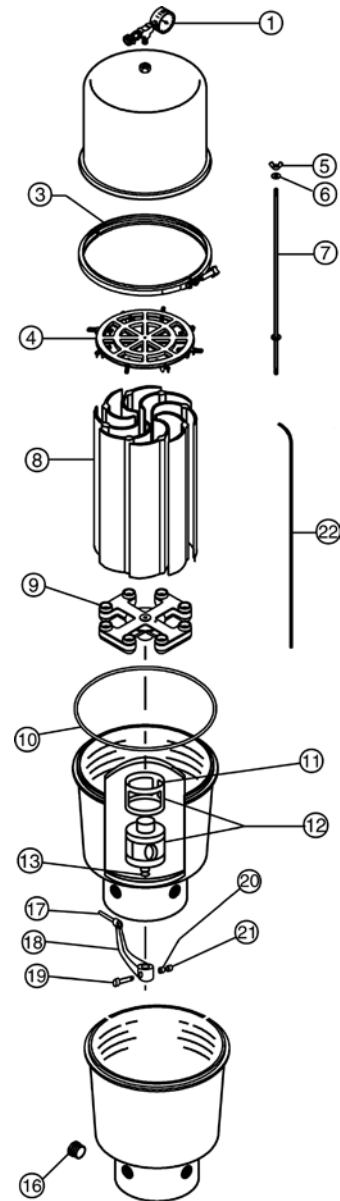
⚠ **WARNING:** Cancer and Reproductive Harm.
 ⚠ **AVERTISSEMENT:** Peut Causer le Cancer et des Dommages au Système Reproducteur.
 ⚠ **ADVERTENCIA:** Cáncer y Daño Reproductivo.

www.p65warnings.ca.gov

SM & SMBW 4000 SERIES™ FILTERS

REPLACEMENT PARTS FOR SHEET MOLDED FILTERS

Item	Part No.	Description	US List	Can. List
SM & SMBW 4000 SERIES FILTERS				
1	073027	Complete gauge assembly includes: ³	166.92	200.57
	98209800	Hi Flow Air Relief ⁴	51.45	61.82
	190058Z	Gauge, 1/4 in., 60 lbs.	64.42	77.41
	071390	Nipple, plastic, 1/4 in.	9.68	11.63
3	197020	Clamp ring assembly	506.88	609.07
3	076033	Knob clamping band ²	18.87	22.67
3	071136Z	Knob clamping band ¹	34.59	41.56
4	071019Z	Holding wheel 4024, 4036, 4048	52.03	62.52
4	197120	Holding wheel 4060	59.24	71.18
5	071404Z	Nut wing, 1/4 in. 20 SS	21.28	25.57
6	072173	Washer 5/16 in. i.d. x 3/4 in. o.d.	2.65	3.18
7	072870	Center rod SM/SMBW 4024 21 in.	65.35	78.52
7	072869	Center rod SM/SMBW 4036 27 in.	57.53	69.13
7	072880	Center rod SM/SMBW 4048 33 in.	59.42	71.40
7	072867	Center rod SM/SMBW 4060 39 in.	62.83	75.50
8	074922	Element 4024 12 in., 8 req.	38.40	46.14
8	074923	Element 4036 18 in., 8 req.	51.13	61.44
8	074924	Element 4048 24 in., 8 req.	64.14	77.07
8	074925	Element 4060 30 in., 8 req.	77.00	92.52
9	073270Z	Manifold 2000/4000 series 8 holes	41.02	49.29
10	071439	O-ring, 4000 series lid	103.77	124.69
11	071720	Seal BW valve rotor tapered	28.86	34.68
12	073370	Rotor valve Noryl w/ seal, includes No. 11 & 13	218.84	262.96
13	JV18	O-ring 2113	1.60	1.92
16	071559	Plug PVC 2 in., SM only	14.99	18.01
17	190026	Handle SMBW rotor SS	48.21	57.93
18	070971	Handle extension BW, brass	207.20	248.97
19	070979	Handle stud bolt SS, 1/4-20 x 1-3/4 in.	CALL	CALL
20	072172	Washer lock, 1/4 in. SS	0.37	0.44
21	071406	Nut, 1/4-20 SS hex	2.31	2.78
22	075279	Vent tube 1/4 in., 46 in. all models	20.20	24.27



¹ Used on filters manufactured before 1998.

² Used on filters manufactured after 1998.

³ Used on filters manufactured before 1999.

⁴ Used on filters manufactured after 1999.

Did you know that...if you order a tapered rotor seal and attempt to install it into a straight sided casting, the seal will be cut. If you install a straight seal in a tapered casting, the valve will leak. The tapered seal can be identified by a mark on each of the vertical legs signifying the top of the seal. Since the straight seals are not directional, they have no marks on the vertical legs. The tapered seal P/N is 071720. The straight seal P/N is 071719, which we no longer manufacture. Both 2000/4000 series filters with backwash now use the same Noryl rotor and the tapered seal. The product number for the rotor and seal assembly P/N is 073370. Tapered castings have a letter "T" stamped into the underside of the middle, pump port. Don't confuse this with a letter "T" in felt pen, which means the assembly has been pressure tested.

CALIFORNIA PROPOSITION 65 WARNING

⚠ **WARNING:** Cancer and Reproductive Harm.
 ⚠ **AVERTISSEMENT:** Peut Causer le Cancer et des Dommages au Système Reproducteur.
 ⚠ **ADVERTENCIA:** Cáncer y Daño Reproductivo.
www.p65warnings.ca.gov

SYSTEM:2™ MODULAR D.E. FILTERS

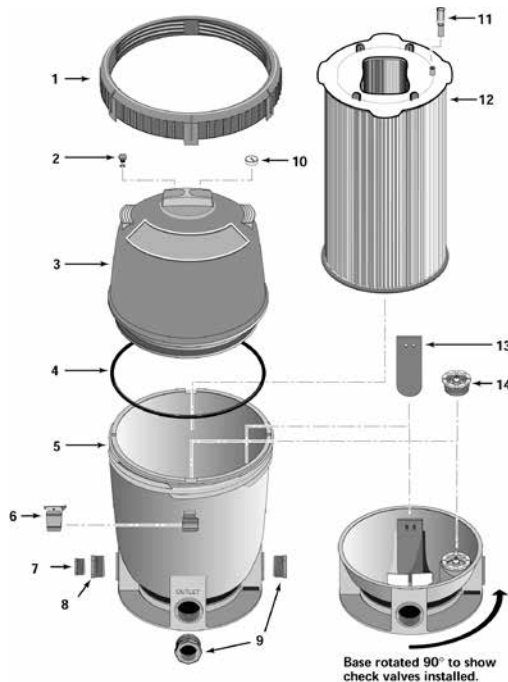
PLD SERIES REPLACEMENT PARTS



MODELS

PLD50 - DE

PLD70 - DE



CALIFORNIA PROPOSITION 65 WARNING
 ⚠️ **WARNING:** Cancer and Reproductive Harm.
 ⚠️ **AVERTISSEMENT:** Peut Causer le Cancer et des Dommages au Système Reproducteur.
 ⚠️ **ADVERTENCIA:** Cáncer y Daño Reproductivo.
www.p65warnings.ca.gov PR201714

Item	Part No.	Description	US List	Can. List
SYSTEM:2 MODULAR D.E. FILTERS				
1	27001-0054S	Posi-Lok® ring	297.86	357.91
2	25010-0200	Air release valve assembly	26.76	32.15
3	27001-0020S	Tank shell upper half 1,5	446.09	536.02
4	27001-0061S	Cord-ring	77.72	93.39
4	27001-0060S	Cord-ring (Pre 3/97), PLD50	77.03	92.56
5	27001-0009S	Tank shell lower half w/ ring 4,5	757.79	910.56
6	27001-0051	Safety latch for ring	20.96	25.19
7A	27001-0022	1-1/2 in. NPT plug w/ O-Ring	4.16	5.00
7B	24900-0509	Adapter fitting (Pre 10/03)	40.47	48.63
7B	24900-0510	Adapter fitting	40.47	48.63
9	U78-820P	2 in. x 1-1/2 in. Pipe reducer 2	19.19	23.06
10	15060-0000T	Pressure gauge 3	64.53	77.54
11	24800-0120	Air bleed assembly	31.13	37.41
12	27002-0030S	Filter module, PLD50	496.81	596.97
12	27002-0036S	Filter module, PLD70	577.96	694.48
13	27001-0011	Flapper valve	23.39	28.11
14	27001-0130S	Spring check valve 2	32.32	38.84
NOT SHOWN				
	33455-1050	Spring check valve gasket	5.81	6.98

¹ Includes all decals and labels.

² Optional Equipment.

³ Shipped in accessory package.

⁴ Includes 27001-0051 safety latch, & 27001-0054 Posi-Lok ring™ ring.

⁵ Filters made before 2005 should replace the top and bottom together.

SYSTEM:2™ MODULAR D.E. FILTERS

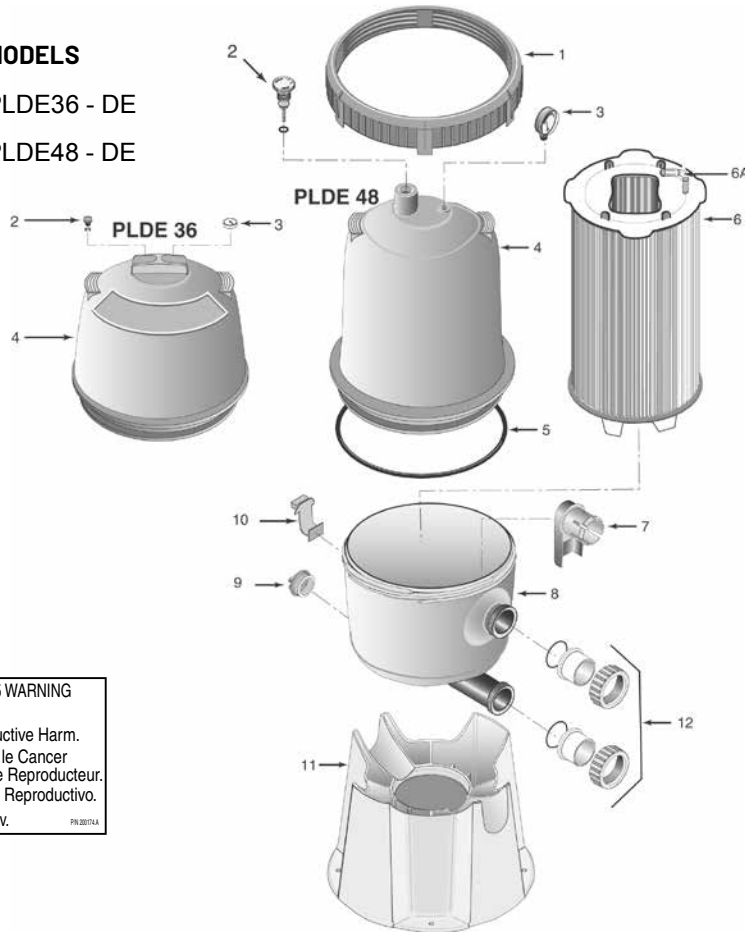
PLDE SERIES REPLACEMENT PARTS



MODELS

PLDE36 - DE

PLDE48 - DE



CALIFORNIA PROPOSITION 65 WARNING
 ⚠️ **WARNING:** Cancer and Reproductive Harm.
 ⚠️ **AVERTISSEMENT:** Peut Causer le Cancer et des Dommages au Système Reproducteur.
 ⚠️ **ADVERTENCIA:** Cáncer y Daño Reproductivo.
www.p65warnings.ca.gov P8 201514

Item	Part No.	Description	US List	Can. List
SYSTEM:2 MODULAR D.E. FILTERS				
1	27001-0054S	Posi-Lok® Ring	297.86	357.91
2	25010-0200	Air Release Valve with O-ring, PLDE36	26.76	32.15
2	24206-0103S	Air Release Valve with O-ring, PLDE48	15.18	18.24
3	15060-0000T	Pressure Gauge	64.53	77.54
4	27001-0020S	Tank Upper Half with Air Relief Valve, PLDE36 ²	446.09	536.02
4	27001-0030S	Tank Upper Half with Air Relief Valve, PLDE48 ²	701.68	843.14
5	27001-0061S	Tank O-Ring	77.72	93.39
6	27002-0036S	Filter Module, PLDE36	577.96	694.48
6	27002-0048S	Filter Module, PLDE48	725.53	871.80
6A	24800-0120	Air Bleed Assembly	31.13	37.41
7	27001-0015S	Diverter	42.69	51.30
8	27001-0016S	Tank Lower Half ^{1,2}	377.51	453.62
9	27001-0022	Drain Plug	4.16	5.00
10	27001-0051	Safety Latch	20.96	25.19
11	27001-0018S	Tank Support Base	198.14	238.09
12	PKG 188Z	2 in. Union Adapter Package (includes 2)	45.59	54.78

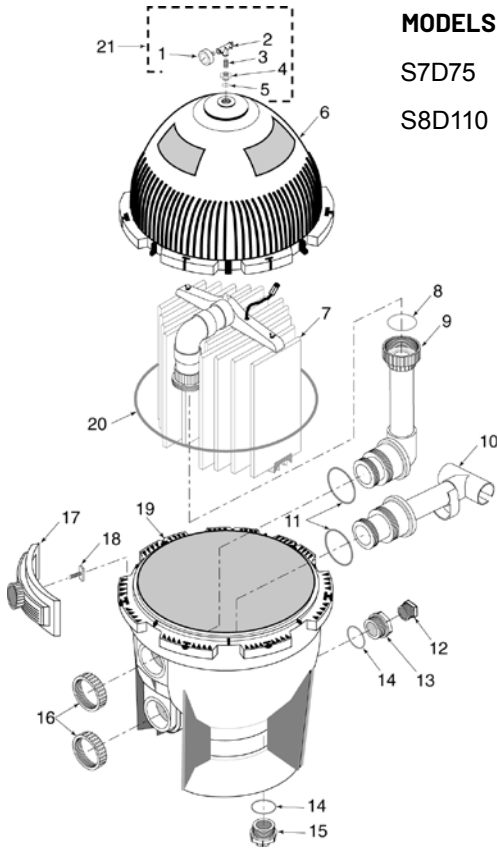
¹ Includes Item Nos. 7, 8, 9, 10.

² Filters manufactured before 2005 should replace the top and bottom together.



SYSTEM:3® D.E. FILTERS

SD SERIES REPLACEMENT PARTS



MODELS

S7D75

S8D110

Item	Part No.	Description	US List	Can. List
SYSTEM:3 D.E. FILTERS				
1	33600-0023T	2 in. Gauge	67.37	80.95
2	154689Z	Air Release Valve	42.76	51.38
3	35202-0959	Nipple	19.76	23.74
4	24900-0504	Adapter Bushing	26.31	31.61
5	35505-1423	O-Ring	2.83	3.40
6	24851-9000	Upper Tank Shell Kit, S7D75	1410.37	1694.70
6	24851-9001	Upper Tank Shell Kit, S8D110	1734.79	2084.52
7	23900-1220S	Filter Assembly, S7D75	1705.61	2049.46
7	23900-1221S	Filter Assembly, S8D110	2204.40	2648.81
8	U9-362	O-Ring	7.45	8.95
9	23911-0102	Outlet Assembly	197.30	237.08
10	23911-0100	Inlet Assembly, S7D75	145.24	174.52
10	23911-0101	Inlet Assembly, S8D110	147.30	177.00
11	35505-1425	O-Ring	21.78	26.17
12	27001-0022	1-1/2 in. NPT Plug	4.16	5.00
13	24900-0509	Adapter Fitting	40.47	48.63
14	35505-1424	O-Ring	13.06	15.69
15	24900-0503	Drain Plug	40.26	48.38
16	24752-0050	Bulkhead Retaining Nut	34.78	41.79
17	24850-0200	Clamp Assembly ¹	184.13	221.25
18	24850-0010	Clamp Bolt ¹	44.58	53.57
19	24850-0102S	Lower Tank Shell, S7D75	1574.94	1892.45
19	24851-0103S	Lower Tank Shell, S8D110	1779.48	2138.22
20	24850-0008	Cord Ring, S7D75	90.26	108.46
20	24850-0009	Cord Ring, S8D110	103.29	124.11
21	24850-0105	Valve & Gauge Assembly (Includes #8, 9, 11, 16)	140.96	169.38
NOT SHOWN				
	24850-0016	Clamp Retaining Ring	9.48	11.39
	25021-1021	System3 DE Conversion Kit (Includes #8, 9, 10, 11, 16) - S7D75 - should also purchase item #7 separately.	483.19	580.60
	25021-1025	System3 DE Conversion Kit (Includes #8, 9, 10, 11, 16) - S8D110 - should also purchase item #7 separately.	483.19	580.60

CALIFORNIA PROPOSITION 65 WARNING

⚠ **WARNING:** Cancer and Reproductive Harm.
 ⚠ **AVERTISSEMENT:** Peut Causer le Cancer et des Dommages au Système Reproducteur.
 ⚠ **ADVERTENCIA:** Cáncer y Daño Reproductivo.
www.p65warnings.ca.gov P812015A

¹ Model S7D75 uses seven (7) clamps and bolts; Model S8D110 uses eight (8).

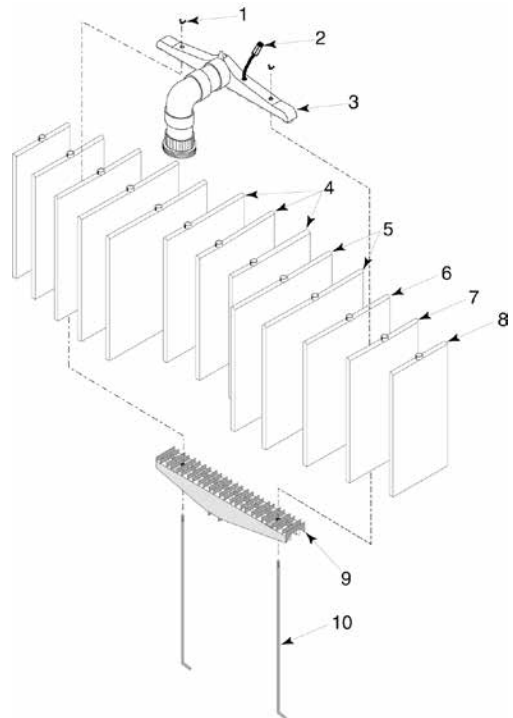
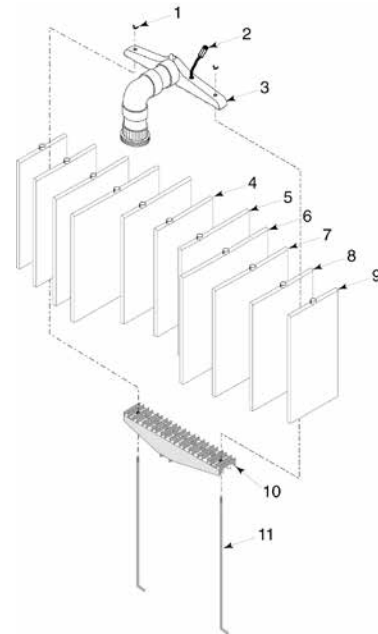
SYSTEM:3® D.E. FILTER ELEMENT ASSEMBLIES

SD SERIES REPLACEMENT PARTS



Item	Part No.	Description	US List	Can. List
FILTER ELEMENT ASSEMBLY FOR S7D75				
1	35402-0074Z	Wing Nut (2 req.)	21.58	25.93
2	24800-0120	Air Bleed Assembly	31.13	37.41
3	24800-0100	Manifold	256.91	308.70
4	23900-1171	Covered Element 12-7/16 in. (1 req.)	101.80	122.32
5	23900-1170	Covered Element 13-13/16 in. (2 req.)	103.55	124.43
6	23900-0033	Covered Element 16-1/2 in. (2 req.)	111.37	133.82
7	23900-1174	Covered Element 15-3/16 in. (2 req.)	107.28	128.91
8	23900-1175	Covered Element 12-7/16 in. (2 req.)	101.80	122.32
9	23900-1173	Covered Element 9-11/16 in. (2 req.)	93.98	112.93
10	23900-0350	Element Grid Support	68.46	82.26
11	23900-0039	Rod (2 req.)	53.31	64.06

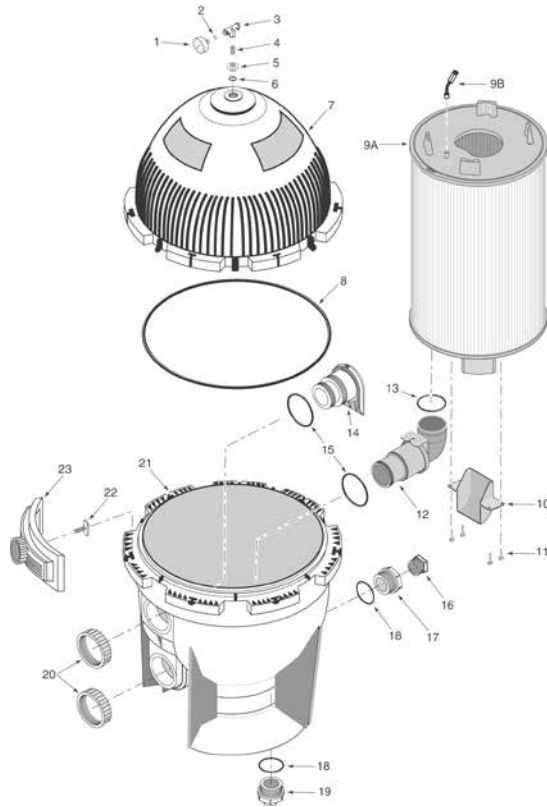
FILTER ELEMENT ASSEMBLY FOR S8D110				
1	35402-0074Z	Wing Nut (2 req.)	21.58	25.93
2	24800-0120	Air Bleed Assembly	31.13	37.41
3	24801-0101	Manifold	265.07	318.51
4	23900-1172	Covered Element 16-1/2 in. (3 req.)	133.86	160.85
5	23900-0144	Covered Element 19-5/16 in. (4 req.)	195.22	234.58
6	23900-0033	Covered Element 16-1/2 in. (2 req.)	111.37	133.82
7	23900-1174	Covered Element 15-3/16 in. (2 req.)	107.28	128.91
8	23900-0032	Covered Element 11 in. (2 req.)	93.46	112.30
9	23901-0350	Element Grid Support	72.83	87.51
10	23900-0039	Rod (2 req.)	53.31	64.06



CALIFORNIA PROPOSITION 65 WARNING
 ⚠️ **WARNING:** Cancer and Reproductive Harm.
 ⚠️ **AVERTISSEMENT:** Peut Causer le Cancer et des Dommages au Système Reproducteur.
 ⚠️ **ADVERTENCIA:** Cáncer y Daño Reproductivo.
www.p65warnings.ca.gov P182071A

SYSTEM:3® MODULAR D.E. FILTERS

SMD SERIES REPLACEMENT PARTS



Item	Part No.	Description	US List	Can. List
SYSTEM:3 MODULAR D.E. FILTERS				
1	33600-0023T	2 in. Gauge	67.37	80.95
3	154689Z	Air Release Valve	42.76	51.38
4	35202-0959	Close Nipple, 1/4 in.	19.76	23.74
5	24900-0504	Adapter Bushing	26.31	31.61
6	35505-1423	O-Ring	2.83	3.40
7	24851-9000	Upper Tank Shell Kit ¹	1410.37	1694.70
8	24850-0008	Tank O-Ring	90.26	108.46
9A	25023-0160S	Replacement Module	890.33	1069.82
9A	25023-0172S	Replacement Module	1475.64	1773.13
9B	24800-0120	Air Bleed Assembly ²	31.13	37.41
10	23910-0013S	Baffle Kit (with Screws) ²	50.49	60.67
11	37207-0728	Baffle Screws ²	CALL	CALL
12	23910-0100S	Elbow and Bulkhead Assembly ³	176.77	212.41
13	35505-7438	O-Ring	13.65	16.40
14	23910-0101S	Deflector and Bulkhead Assembly	117.84	141.60
15	35505-1425	O-Ring	21.78	26.17
16	27001-0022	1-1/2 in. Plug with O-Ring	4.16	5.00
17	24900-0509	Adapter Fitting	40.47	48.63
18	35505-1424	O-Ring	13.06	15.69
19	24900-0503	Drain Plug	40.26	48.38
20	24752-0050	Bulkhead Retaining Nut	34.78	41.79
21	24850-0102S	Lower Tank Shell	1574.94	1892.45
22	24850-0010	Clamp Bolt	44.58	53.57
23	24850-0200	Clamp Assembly	184.13	221.25
NOT SHOWN				
	23910-1100S	System:3 Modular DE Conversion Kit (Includes Key #'s 12, 13, 14, 15, 16) - must also buy Item 9A separately	269.40	323.71

¹ Includes all decals and labels.

² Included with Key No. 9A Replacement Module.

³ Includes O-Ring (Key No. 13).

CALIFORNIA PROPOSITION 65 WARNING

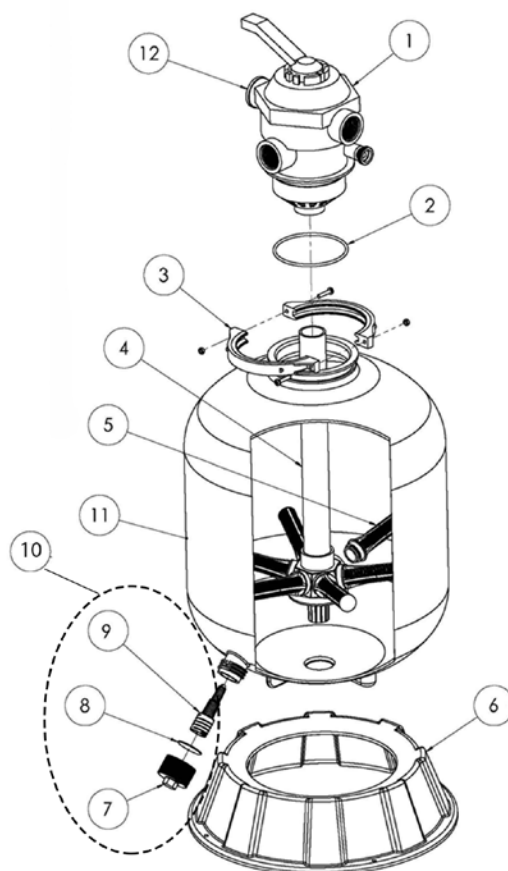
▲ **WARNING:** Cancer and Reproductive Harm.
▲ **AVERTISSEMENT:** Peut Causer le Cancer et des Dommages au Système Reproducteur.
▲ **ADVERTENCIA:** Cáncer y Daño Reproductivo.

www.p65warnings.ca.gov

PB/2021A

SAND DOLLAR® FILTERS

REPLACEMENT PARTS FOR BLOW MOLDED FILTERS



Item	Part No.	Description	US List	Can. List
SAND DOLLAR SAND FILTERS				
1	262506	Valve 1-1/2 in. 6-way	CALL	CALL
1	263085	Valve 2 in.	CALL	CALL
1	262525	Valve 2 in. with unions	CALL	CALL
2	272541	O-ring valve body	11.99	14.41
3	152165	Assembly, plastic clamp 2 piece	36.72	44.12
4	155504	Piping assembly SD35, dim D = 16 in.	73.38	88.17
4	152229	Pipe assembly SD35 ²	182.26	219.00
4	155062	Piping assembly SD40, dim D = 20-1/8 in.	71.09	85.42
4	152228	Pipe assembly SD40 ²	168.27	202.19
4	155532	Piping assembly SD60, dim D = 25-1/4 in.	177.72	213.55
4	152227	Pipe assembly SD60 ²	195.62	235.06
4	152000	Pipe assembly, SD70	194.65	233.89
4	152226	Pipe assembly SD80	153.36	184.28
4	152238	Pipe assembly SD80 2 in.	163.99	197.05

CALIFORNIA PROPOSITION 65 WARNING

⚠ **WARNING:** Cancer and Reproductive Harm.
 ⚠ **AVERTISSEMENT:** Peut Causer le Cancer et des Dommages au Système Reproducteur.
 ⚠ **ADVERTENCIA:** Cáncer y Daño Reproductivo.

www.p65warnings.ca.gov
PH201714

SAND DOLLAR® FILTERS

REPLACEMENT PARTS FOR BLOW MOLDED FILTERS

Item	Part No.	Description	US List	Can. List
SAND DOLLAR SAND FILTERS				
5	155007	Lateral 5, 11/32 in. long, almond, SD35, 8 req.	10.73	12.89
5	152290Z	Lateral 6, 11/16 in. long, almond, SD40/SD60, 8 req.	11.25	13.52
5	150084	Lateral, SD35, SD40, black ²	10.12	12.16
5	150085	Lateral XLong, SD60, SD70, SD80, black ²	12.72	15.28
5	150088	Lateral, ClearPro 6 req	159.10	191.17
6	154926	Foot, SD35	146.81	176.41
6	154520	Foot, SD40, SD60, SD70, & SD80 ¹	151.32	181.83
7	154712Z	Drain Cap	44.75	53.77
8	154715	Gasket	8.43	10.13
9	154711Z	Drain	24.83	29.84
10	150055	Complete Drain Assembly	76.03	91.36
11	145339	Tank with drain SD35, almond	419.44	504.00
11	145341	Tank with drain SD40, almond	556.48	668.67
11	145343	Tank with drain SD60, almond	770.44	925.76
11	145368	Tank with drain SD70, almond	893.83	1074.03
11	145334	Tank with drain SD80, almond	1094.93	1315.67
12	190059Z	Gauge, pressure	64.42	77.41
NOT SHOWN				
	272569	Kit Union for 2 in. Valve	CALL	CALL
	150119	Kit Union for 1-1/2 in. Valve	111.85	134.40

¹ Used on filters manufactured before 2/02.

² Filters manufactured after 10/04.

CALIFORNIA PROPOSITION 65 WARNING

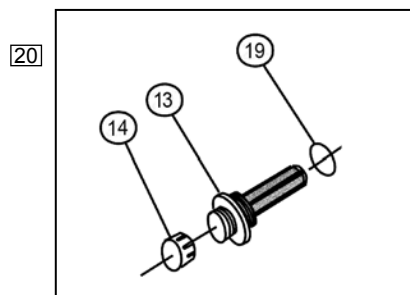
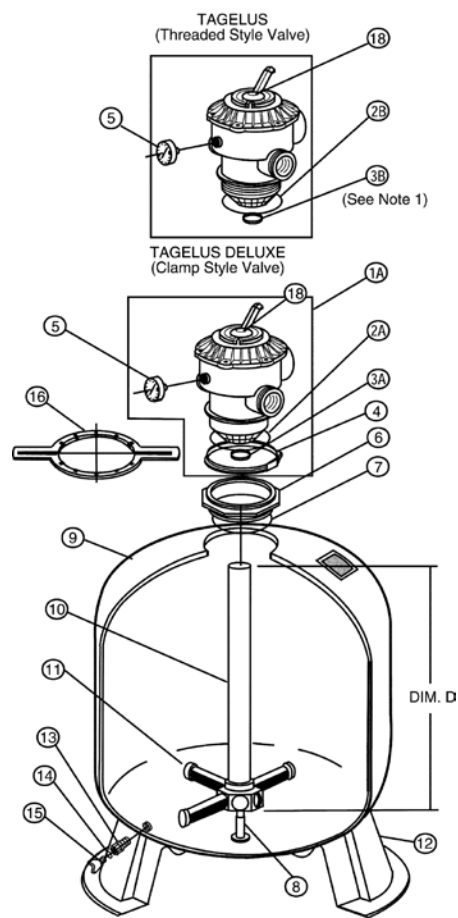
WARNING: Cancer and Reproductive Harm.
AVERTISSEMENT: Peut Causer le Cancer et des Dommages au Système Reproducteur.
ADVERTENCIA: Cáncer y Daño Reproductivo.

www.p65warnings.ca.gov

TAGELUS® FILTERS

REPLACEMENT PARTS FOR FIBERGLASS FILTERS

Item	Part No.	Description	US List	Can. List
TAGELUS FILTERS WITH THD. & CLAMP VALVES				
1A	262506	Valve, 1-1/2 in. 6-way clamp style ^{1, 4, 6, 8, 10}	CALL	CALL
1A	261185	Valve, 2 in. 6-way clamp style ^{11A, 11B}	CALL	CALL
1A	262525	Valve, 2 in. for TA60 with unions	CALL	CALL
1B	261124	Valve, 1-1/2 in. 6-way "V" thread -TA, ¹⁷	CALL	CALL
2A	272541	O-ring valve body, 3/16 in. x 4-3/4 in. i.d. ^{2, 4, 6, 8, 10}	11.99	14.41
2A	275333	O-ring valve body, 3/16 in. x 6-1/2 in. i.d. ^{11A, 11B}	10.19	12.24
2B	154493	O-ring valve body, .157 in. x 5.75 in. i.d. ^{1, 3, 5, 7, 9}	7.95	9.55
3A	355330	O-ring standup, 1/8 in. x 2-3/8 in. i.d. ^{11A, 11B}	2.65	3.18
3B	155064	O-ring standup, 1/8 in. x 1-7/8 in. i.d. ^{1, 3, 5, 7, 9, 12}	1.80	2.16
4	152165	Clamp, 6-1/2 in. dia. SS, plastic ^{2, 4, 6, 8, 10}	36.72	44.12
4	152130	Clamp, 8.35 in. dia. ^{11A, 11B}	155.69	187.08
5	190059Z	Gauge back mount pressure	64.42	77.41
6	152520Z	Adapter, Quad Seal	161.49	194.05
6	155225	Adapter, 6 in. "V" thread ^{2, 6, 8, 10, 15, 19}	57.03	68.53
6	154521	Adapter, 8-1/2 in. btr. thread ^{11A, 11B}	101.38	121.82
7	152517	O-ring valve adptr., 1/8 in. x 6-1/4 in. i.d. ^{2, 4, 6, 8, 10}	6.45	7.75
7	355619Z	O-ring valve adptr., 3/16 in. x 7-3/4 in. i.d. ^{11A, 11B}	16.23	19.50
7	152516	Quad Seal	7.94	9.54
8	155002	Stabilizer, center pipe (TA100 Only)	30.24	36.34
9	155276	Tank & ft. assembly w/ valve adptr. ^{6, 13, 18, 19}	1573.76	1891.03
9	155269	Tank & ft. assembly w/ valve adptr. ^{10, 13, 18, 19}	1771.12	2128.18
9	155324	Tank & ft. assembly w/ valve adptr. ^{11A, 11B, 13, 18, 19}	2545.11	3058.20
9	155342	Tank & ft. assembly btr. thread style ^{5, 16, 17}	1528.85	1837.07
9	155358	Tank & ft. assembly btr. thread style ^{9, 16, 17}	1263.92	1518.73
10	155060	Piping assembly, (dim. D = 12-7/8 in.) ^{1, 2}	66.72	80.17
10	153455	Piping assembly, (dim. D = 14-7/8 in.) ^{3, 4}	70.11	84.24
10	155061	Piping assembly, (dim. D = 17-3/4 in.) ^{5, 6}	69.77	83.84
10	155062	Piping assembly, (dim. D = 19-7/8 in.) ^{7, 8}	71.09	85.42
10	155063	Piping assembly, (dim. D = 22-5/8 in.) ^{9, 10}	72.36	86.95
10	155340	Piping assembly, less hub, (dim. D = 27-1/4 in.) ^{11A, 11B}	67.42	81.01
10	155323	Piping assembly, w/ hub, (dim. D = 27-1/4 in.) ^{11A, 11B}	151.40	181.92
10	155299	Piping assembly, w/ hub, w/ 1/4 turn lateral ^{10, 20}	71.67	86.12
10	152237	Piping assembly, w/ hub, TA60 2 in.	158.76	190.77



Detail A., after 12/1/91
6 in. btr. Thread.



Detail B., before 12/1/91
6 in. "V" Thread.

TAGELUS® FILTERS (CONT'D)

REPLACEMENT PARTS FOR FIBERGLASS FILTERS

Item	Part No.	Description	US List	Can. List
TAGELUS FILTERS WITH THREAD & CLAMP VALVES				
11	155007	Lateral, 5-11/32 in. long, 8 req. ^{1, 2, 3, 4}	10.73	12.89
11	152290Z	Lateral, 6-11/16 in. long, 8 req. ^{5, 9, 6, 10}	11.25	13.52
11	152202Z	Lateral, 9-1/8 in. long ^{11A, 11B}	17.02	20.45
11	150085	Lateral, 1/4 turn, 6 req. ^{7, 8, 10, 20}	12.72	15.28
11	150088	Lateral, ClearPro - 6 req	159.10	191.17
12	154926	Foot tank ^{3, 5, 7, 9, 4, 6, 8, 10}	146.81	176.41
12	154596	Foot tank ^{11A, 14}	222.97	267.92
13	154698	Spigot, 3/4 in. NPT sand drain ^{2, 4, 6, 8, 10}	39.12	47.01
13	152220Z	Spigot, 2 in. NPT sand drain ^{11A} (Left-hand thread)	66.23	79.58
14	192115Z	O-ring drain plug, 1/16 in. x 1/2 in. i.d.	3.79	4.55
14	154871	2 in. drain cap (1-1/2 in. threads) ^{11A, 11B}	12.63	15.18
15	357161Z	Plug, 1/4 in. NPT drain	7.57	9.10
16	154512	Wrench, 6-1/2 in. across flats ^{2, 6, 8, 10}	38.60	46.38
16	151608	Wrench, 9 in. across flats ¹⁴	CALL	CALL
18	272599	Label top mount valve	8.56	10.29
19	274494	Sand drain O-ring TA100	7.24	8.70
20	152220Z	Drain assy for TA100/TR100/TR140	66.23	79.58
NOT SHOWN				
	154402	Tape ft. mounting, ¹⁻¹⁰	9.68	11.63
	154407	Tape ft. mounting, ^{11A, 11B}	13.27	15.95
	155051	Sand guide only ^{11A, 11B}	10.69	12.85
	150119	Union Kit 1-1/2 in. Valve	111.85	134.40
	272569	Union Kit 2 in. Valve for TA 60D 2" only	CALL	CALL

¹ TA 30
² TA 30D
³ TA 35
⁴ TA 35D
⁵ TA 40
⁶ TA 40D
⁷ TA 50
⁸ TA 50D
⁹ TA 60
¹⁰ TA 60D
^{11A}TA 100
^{11B}TA 100D

¹² Item 3A O-ring, standpipe is used on model TA100D Filters only. Item 3B O-ring, standpipe is used on Tagelus Filter models TA30, 40, 50, 60, manufactured before April, 1993. Item 3B is not used on Tagelus Clamp Filter models TA30D, 35D, 40D, 50D, 60D or on any Tagelus models manufactured after April, 1993.

¹³ Tagelus Clamp Filter models tank & ft. assembly have valve adptr., Item 6 factory installed.

¹⁴ Replacement of tank ft. requires the use of mounting tape. See part number listed.

¹⁵ Lubricate O-ring liberally w/ silicone lubricant and tighten to following spec: TA30D, 35D, 40D, 50D, 60D. Handtight plus 1/4 turn min. TA100 D Handtight plus 3/4 turn min.

¹⁶ Tagelus Filter models TA30, 35, 40, 50, 60 manufactured after Nov. 1, 1991 were manufactured w/a btr. thread top opening and utilize a btr. style valve which is black in color. A change was made to the port arrangement in April, 1993 which will require that minor changes be made to the valve plumbing connections when replacing valves on filters manufactured between Nov. 1991 and Mar. 1993. DO NOT ATTEMPT TO INTERCHANGE THREAD TYPES.

¹⁷ Tagelus Filter models TA30, 40, 50, 60 manufactured before Nov. 1, 1991 were manufactured w/a "V" thread style valve that is white or brown in color. These valves may be replaced only w/ "V" thread style valve P/N 261124, see Detail B. DO NOT ATTEMPT TO INTERCHANGE THREAD TYPES.

¹⁸ Tagelus Clamp Filter models TA30D, 35D, 40D, 50D, 60D manufactured after Nov. 1, 1991 were manufactured w/a btr. thread top opening and utilize a btr. thread valve adptr. P/N 154555, see Detail A. DO NOT ATTEMPT TO INTERCHANGE THREAD TYPES.

¹⁹ Tagelus Clamp Filter models TA30D, 40D, 50D, 60D manufactured before Nov. 1, 1991 were manufactured w/a "V" thread top opening and utilize a "V" thread valve adptr. P/N 155225, see Detail B. DO NOT ATTEMPT TO INTERCHANGE THREAD TYPES.

²⁰ TA60D Filters manufactured after June 1, 2007 have new 1/4 turn laterals.

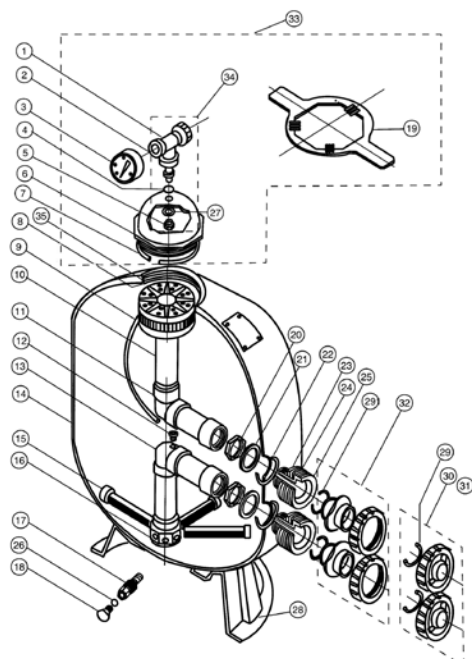
CALIFORNIA PROPOSITION 65 WARNING

WARNING: Cancer and Reproductive Harm.
AVERTISSEMENT: Peut Causer le Cancer et des Dommages au Système Reproducteur.
ADVERTENCIA: Cáncer y Daño Reproductivo.

www.p65warnings.ca.gov. PR020114

TRITON® II FILTERS

REPLACEMENT PARTS FOR FIBERGLASS FILTERS



Item	Part No.	Description	US List	Can. List
TRITON II SAND FILTERS				
1	154689Z	Air bleeder/tee assembly ¹³	42.76	51.38
2	154700	Adapter, brass air bleeder ¹³	17.75	21.33
3	190059Z	Gauge, back mount pressure ¹³	64.42	77.41
4	154661	O-ring, air bleeder adapter ¹³	2.65	3.18
5	154664	Nut, 3/8 in., 16 SS ¹³	2.57	3.09
6	152519Z		161.49	194.05
6	154559	Closure 6 in. "V" thread, black, see Detail B ¹³	82.65	99.31
7	154493	O-ring closure, 6 in., white ¹³	7.95	9.55
7	152516	Quad Seal	7.94	9.54
8	154578	Strainer air relief, 1/4 in. ³	20.88	25.09
8	150035	Strainer air relief, 3/8 in. ⁴	14.19	17.05
9	154435	Tube air relief TR40 ³	24.69	29.67
9	150039	Tube air relief TR40 ⁴	29.03	34.88
9	154436	Tube air relief TR50/60 ³	24.69	29.67
9	150040	Tube air relief TR50/60 ⁴	29.03	34.88
9	154437	Tube air relief TR100 ³	26.88	32.30
9	150041	Tube air relief TR100 ⁴	22.86	27.47
9	154438	Tube air relief TR140 ³	34.77	41.78
9	150042	Tube air relief TR140 ⁴	21.28	25.57
10	154598	Diffuser assembly TR40/50	77.17	92.73
10	154599	Diffuser assembly TR60	77.17	92.73
10	154462	Diffuser assembly TR100	77.17	92.73
10	154906	Diffuser assembly TR140	79.45	95.47
11	154803	Piping assembly upper TR40	86.68	104.15

Item	Part No.	Description	US List	Can. List
11	156814	Piping assembly upper TR50	69.40	83.39
11	154533	Piping assembly upper TR60	66.95	80.45
11	154426	Piping assembly upper TR100	116.09	139.49
11	154500	Piping assembly upper TR140	73.22	87.98
12	154441	Connector air relief tube ³	CALL	CALL
12	150036	Connector air relief tube ⁴	2.29	2.75
13	154801	Piping assembly lower TR40	104.55	125.63
13	156816	Piping assembly lower TR50	82.94	99.66
13	154805	Piping assembly lower TR60	80.74	97.02
13	155284	Piping assembly lower TR60 ¹⁴	135.34	162.62
13	154807	Piping assembly lower TR/ PF100	83.03	99.77
13	154489	Piping assembly lower TR140	85.58	102.83
14	154636	Tank & ft. assembly TR40, 6 in. btr. thd., Almond, Detail A	1500.90	1803.48
14	154638	Tank & ft. assembly TR60, 6 in. btr. thd., Almond, Detail A	1718.73	2065.23
14	154639	Tank & ft. assembly TR100, 8-1/2 in. btr. thd., Almond, Detail A	2400.22	2884.10
14	154640	Tank & ft. assembly TR140, 8-1/2 in. btr. thd., Almond, Detail A	3531.21	4243.10

CALIFORNIA PROPOSITION 65 WARNING

▲ **WARNING:** Cancer and Reproductive Harm.
 ▲ **AVERTISSEMENT:** Peut Causer le Cancer et des Dommages au Système Reproducteur.
 ▲ **ADVERTENCIA:** Cáncer y Daño Reproductivo.

www.p65warnings.ca.gov
P65-2017-14

TRITON® II FILTERS (CONT'D)

REPLACEMENT PARTS FOR FIBERGLASS

Item	Part No.	Description	US List	Can. List
TRITON II SAND FILTERS				
14	156224	Tank & ft. assembly TR100HD btr. thread, black HD	2657.38	3193.11
15	152290Z	Lateral, 6-11/16 in. L TR40/50/60, 8 req.	11.25	13.52
15	150085	Lateral TR60 Gray. 1/4 turn ¹⁴	12.72	15.28
15	152202Z	Lateral, 9-1/8 in. L TR100, 8 req. ⁶	17.02	20.45
15	154540Z	Lateral, 12 in. L TR140, 8 req.	30.85	37.07
15	150088	Lateral, ClearPro	159.10	191.17
16	154763	Hub lateral TR40/50/60	47.18	56.69
16	155753	Hub lateral, ClearPro- 6 req ¹⁴	64.63	77.66
16	154453	Hub lateral TR100/140	158.02	189.88
17	154698	Spigot, 3/4 in. NPT sand drain ⁸	39.12	47.01
18	357161Z	Plug, 1/4 in. NPT drain ⁸	7.57	9.10
18	U178-920PZ	Drain Plug Assy	7.57	9.10
19	154512	Wrench, 6 in. closure ¹³	38.60	46.38
19	154510	Wrench closure aluminum, 6 in. ¹³	289.99	348.45
20	154412	Locknut, 2 in. internal, 2 req.	14.72	17.69
21	154416	Spacer, 2 in. internal, 2 req.	21.47	25.80
22	154492	O-ring, 2 in. bulkhead, 2 req.	3.93	4.72
23	154408	Spacer, 2 in. external, 2 req.	21.47	25.80
24	154538	Gasket, 2 in. bulkhead, 2 req.	3.21	3.86
25	154405	Bulkhead, 2 in., 2 req.	110.34	132.58
26	192115Z	O-ring drain plug ⁸	3.79	4.55
27	154418	Washer, 3/8 in. SS ¹³	1.80	2.16
28	154926	Foot, 16 in. dia., TR40/50 ^{2, 11}	146.81	176.41
28	154520	Foot, 19 in. dia., TR60 ^{2, 11}	151.32	181.83
28	154596	Foot, 24 in. dia., TR100/140 ^{2, 11}	222.97	267.92
29	274494	O-ring valve adptr., 2 req.	7.24	8.70
30	271092	2 in. Thread adapter. kit ⁹	91.52	109.97
31	271094	1-1/2 in. Thread adapter. kit ⁹	91.52	109.97
32	271096	2 in. Slip adapter. kit ⁹	91.52	109.97
32	274426Z	Adapter Kit, 1-1/2 in. x 2 in.	73.07	87.80
33	155738	Kit closure, 8-1/2 in HD	364.05	437.44
33	154641	Kit closure, 6 in. btr. thread, black, Detail A ¹³	292.97	352.03
33	154697	Kit closure, 6 in. "V" thread, tan, Detail B ¹³	284.49	341.84
33	154856	Kit closure, 8-1/2 in. btr. thread, black ^{10, 13}	364.63	438.14
34	154687	Fitting package complete ^{12, 13}	72.51	87.13
35	154611	Spacer air vent strainer, 3-3/4 in., TR40	9.68	11.63
35	154612	Spacer air vent strainer, 4-1/2 in., TR50/60	9.68	11.63
35	154613	Spacer air vent strainer, 5-1/2 in., TR100	9.68	11.63
35	154614	Spacer air vent strainer, 5 in., TR140	9.68	11.63
NOT SHOWN				
	154402	Tape ft. mounting TR40/50/60, 3 req.	9.68	11.63
	154407	Tape ft. mounting TR100/140, 3 req.	13.27	15.95
	154714	Bulkhead Asy 2 IN TR (includes items 20, 21, 22, 23, 24, & 25)	229.96	276.32
	151602	Bulkhead wrench, 2 in.	427.43	513.60
	154714	Bulkhead kit include items 20-25	229.96	276.32
	151092	Aluminum wrench, 8-1/2 in.	701.30	842.68
	152220Z	Sand drain, 2 in. (used on TR100 and TR140) (Left-hand thread)	66.23	79.58
	154871	Cap thd., 1-1/2 in.	12.63	15.18
	274494	Sand drain O-ring TA100 (used on TR100 and (TR140)	7.24	8.70

Filters manufactured after Dec 1, 1991 utilize a 6 in. btr. thread in the filter tank top opening and on the closure, see Detail A.

Filters manufactured before Dec 1, 1991 utilize a 6 in. "V" type thread, see Detail B.

6 in. closures in Detail A and B are NOT interchangeable.



Detail A after 12/1/91
6 in. btr. Thread.



Detail B before 12/1/91
6 in. "V" Thread.

- ¹ Used on filters manufactured before 2-89.
- ² Used on filters manufactured after 2-89.
- ³ All filters manufactured before 11-1-99.
- ⁴ Used on filters manufactured after 11-1-99.
- ⁵ Used on filters manufactured before 5-85.
- ⁶ Used on filters manufactured after 5-85.
- ⁷ Used on filters manufactured before 3-83.
- ⁸ Used on filters manufactured after 3-83.
- ⁹ For installations w/out valve, pair.
- ¹⁰ Used on all TR100 & 140 filters manufactured after 10-1-01.
- ¹¹ Replacement of tank foot requires the use of foot mounting tape. See P/N's.
- ¹² Fitting package includes items 1,2,4,5 and 27.
- ¹³ For individual parts for closure kit for TR100 and TR140 see replacement parts pages.
- ¹⁴ For TR60's built after 6-07.

CALIFORNIA PROPOSITION 65 WARNING

▲ **WARNING:** Cancer and Reproductive Harm.
▲ **AVERTISSEMENT:** Peut Causer le Cancer et des Dommages au Système Reproducteur.
▲ **ADVERTENCIA:** Cáncer y Daño Reproductivo.

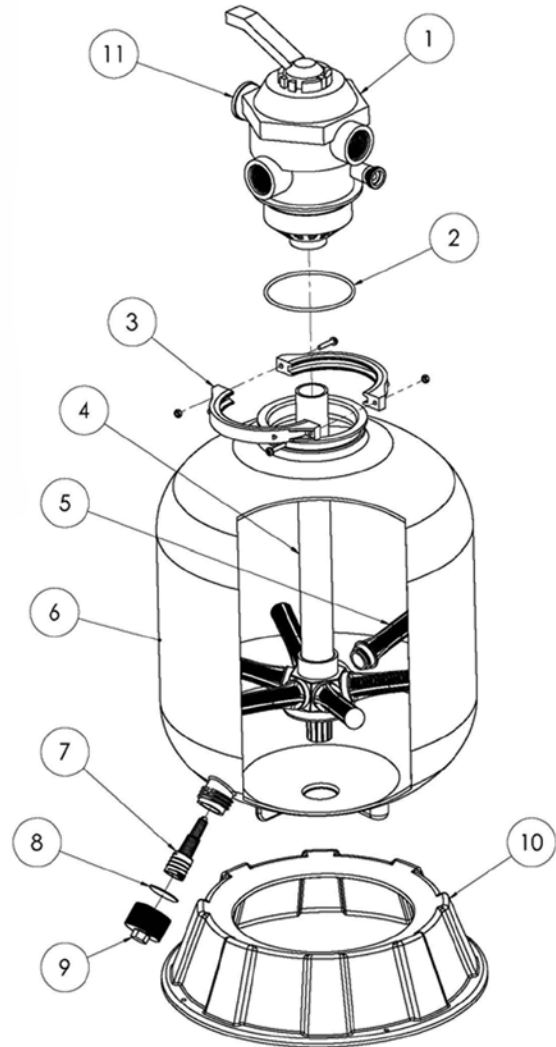
www.p65warnings.ca.gov
P6500713

CRISTAL-FLO™ II HIGH-RATE SAND FILTERS

REPLACEMENT PARTS



Item	Part No.	Description	US List	Can. List
CRISTAL-FLO II HIGH-RATE SAND FILTERS				
1	262506	Valve, 1-1/2 in. 6-Way	CALL	CALL
1	262525	Valve, 2 in. with unions	CALL	CALL
2	272541	O-Ring Valve Body	11.99	14.41
3	152165	Clamp Assembly	36.72	44.12
4	152229	Piping Assembly – 16 in. Tank	182.26	219.00
4	152228	Piping Assembly – 19 in. Tank	168.27	202.19
4	152227	Piping Assembly – 22 in. Tank	195.62	235.06
4	152000	Piping Assembly – 24 in. Tank	194.65	233.89
4	152226	Piping Assembly – 26 in. Tank	153.36	184.28
4	152238	Piping Assembly – CFII 26 - 2 in.	163.99	197.05
5	150084	Lateral – 16 in. & 19 in. Tanks (6 req.)	10.12	12.16
5	150085	Lateral – 22 in., 24 in., & 26 in. Tanks (6 req.)	12.72	15.28
6	145364	Tank w/ Drain – 16 in. Tank	401.99	483.03
6	145365	Tank w/ Drain – 19 in. Tank	533.25	640.75
6	145366	Tank w/ Drain – 22 in. Tank	738.34	887.19
6	145369	Tank w/ Drain – 24 in. Tank	893.83	1074.03
6	145370	Assembled Tank w/ Drain – 26 in. Tank	1049.28	1260.81
7	154711Z	Sand Drain	24.83	29.84
8	154715	Gasket (Sand Drain)	8.43	10.13
9	154712Z	Drain Cap	44.75	53.77
10	154926	Foot, 16 in. Tank	146.81	176.41
10	154520	Foot, 19 in., 22 in., 24 in., & 26 in. Tanks	151.32	181.83
11	190059Z	Pressure Gauge	64.42	77.41
12	150055	Kit Drain Assy (Incl. #7, 8, 9)	76.03	91.36
NOT SHOWN				
	155151	Kit, Flex Hose, 6 ft.	146.69	176.26
	155005	Kit, Flex Hose, 12 ft.	193.59	232.62
	150119	Union Kit for 1-1/2 in. Valve	111.85	134.40
	272569	Union Kit for 2 in. Valve	CALL	CALL



CALIFORNIA PROPOSITION 65 WARNING

⚠ **WARNING:** Cancer and Reproductive Harm.
 ⚠ **AVERTISSEMENT:** Peut Causer le Cancer et des Dommages au Système Reproducteur.
 ⚠ **ADVERTENCIA:** Cáncer y Daño Reproductivo.

www.p65warnings.ca.gov. PH201714

SYSTEM:3® SAND FILTERS

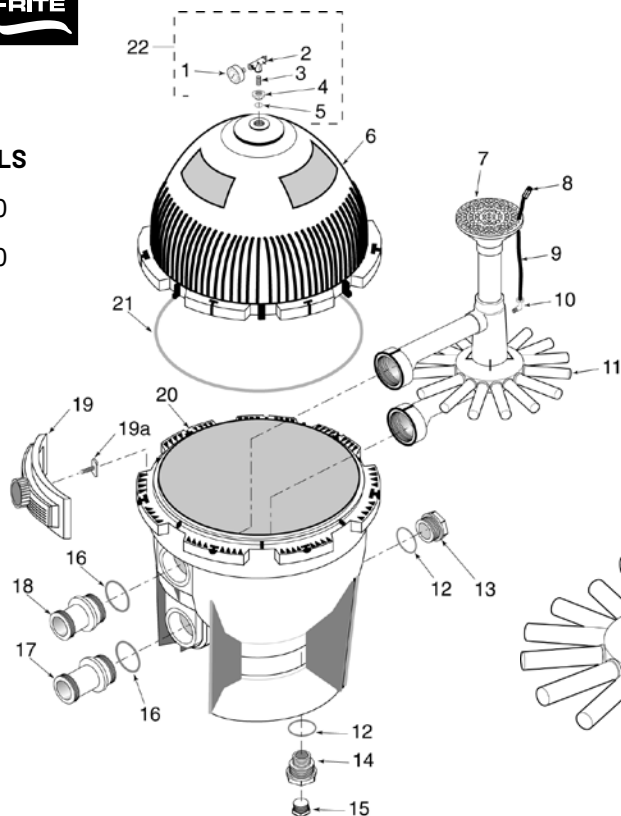
SS SERIES REPLACEMENT PARTS



MODELS

S7S50

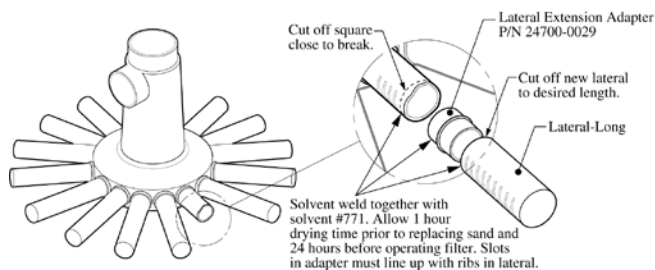
S8S70



Lateral repair procedure.

⚠ WARNING To avoid serious personal injury or property damage, follow cement manufacturer's instructions exactly.

CALIFORNIA PROPOSITION 65 WARNING
 ⚠ WARNING: Cancer and Reproductive Harm.
 ⚠ AVERTISSEMENT: Peut Causer le Cancer et des Dommages au Système Reproducteur.
 ⚠ ADVERTENCIA: Cáncer y Daño Reproductivo.
 www.p65warnings.ca.gov. P/N 201714



Item	Part No.	Description	US List	Can. List
SYSTEM:3 SAND FILTERS				
1	33600-0023T	2 in. Gauge	67.37	80.95
2	154689Z	Valve Assembly	42.76	51.38
	• U212-252DS	Brass Deluxe Air Bleed (optional)	CALL	CALL
3	35202-0959	Nipple	19.76	23.74
4	24900-0504	Adapter Bushing	26.31	31.61
5	35505-1423	O-Ring	2.83	3.40
6	24851-9000	Tank - Upper Half Kit ² - Model S7S50	1410.37	1694.70
6	24851-9001	Tank - Upper Half Kit ² - Model S8S70	1734.79	2084.52
7	24900-0100S	Collector - Assembly (Includes Laterals) - Model S7S50	908.29	1091.40
7	24901-0100S	Collector - Assembly (Includes Laterals) - Model S8S70	940.06	1129.58
8	WC8-126Z	Air Bleed Filter (Blue)	21.63	25.99
9	WC37-386P	Vent Tube	21.55	25.89
10	WC78-84P	Elbow - Male Parflex	17.74	21.32
11	24900-0002	Lateral - Model S7S50 (16 req.)	17.42	20.93
11	24901-0003	Lateral - Model S8S70 (16 req.)	19.77	23.76
12	35505-1424	O-Ring	13.06	15.69
13	24900-0503	Plug (Sand Removal)	40.26	48.38
14	24900-0505	Drain Fitting	36.92	44.36
15	27001-0022	1-1/2 in. NPT Plug	4.16	5.00
16	35505-1425	O-Ring	21.78	26.17
17	24900-0500	Tank Fitting	70.15	84.29

Item	Part No.	Description	US List	Can. List
SYSTEM:3 SAND FILTERS				
18	24900-0501	Tank Fitting	62.52	75.12
19	24850-0200	Clamp Assembly ³	184.13	221.25
19A	24850-0010	Clamp Bolt ³	44.58	53.57
20	24850-0104S	Tank - Lower Half - Model S7S50	1574.95	1892.46
20	24851-0105S	Tank - Lower Half - Model S8S70	1779.48	2138.22
21	24850-0008	Cord Ring - Model S7S50	90.26	108.46
21	24850-0009	Cord Ring - Model S8S70	103.29	124.11
22	24850-0105	Valve & Gauge Assembly (Includes #1, 2, 3, 4, 5)	140.96	169.38
NOT SHOWN				
	24700-0029	Lateral Extension Adapter ^{1,4}	9.46	11.37
	24850-0016	Clamp Retaining Ring ³	9.48	11.39
	25021-2021	System:3 Sand Conversion Kit #12,13,14,15,16,17,18) - Model S7S50 - Must also buy item # 7 separately	256.73	308.49
	25021-2025	System:3 Sand Conversion Kit #12,13,14,15,16,17,18) - Model S8S70 - Must also buy item # 7 separately	256.73	308.49

¹ Available for lateral repairs.

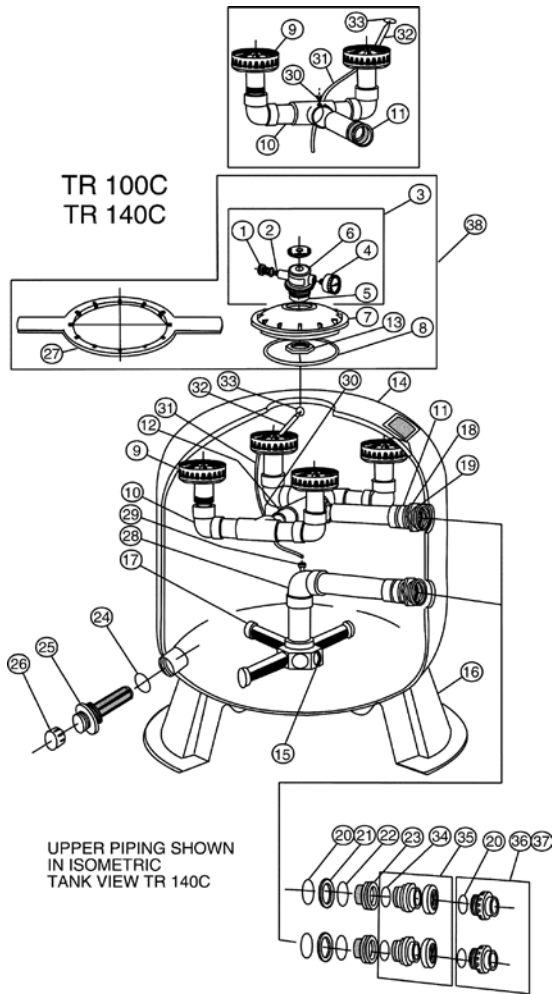
² Includes all decals and labels.

³ Model S7S50 uses seven clamps and bolts; Model S8S70 uses eight.

⁴ As required.

TR100C™ & TR140C™ FILTERS

REPLACEMENT PARTS FOR COMMERCIAL FIBERGLASS FILTERS



Item	Part No.	Description	US List	Can. List
TR100C & TR140C SAND FILTERS				
1	273512	Air bleeder w/ O-ring	17.10	20.55
2	273513	O-ring air bleeder screw	1.41	1.69
3	273564Z	Manual air relief body assembly	143.67	172.63
4	190059Z	Pressure gauge	64.42	77.41
5	274495	O-ring, 3/16 in. x 2-5/8 in. i.d.	2.12	2.55
6	273564Z	Valve body machined ARF	143.67	172.63
7	154575	Closure, 8-1/2 in. btr.	99.79	119.91
8	152509Z	Square ring 8-1/2 in.	11.00	13.22
9	154599	Diffuser Assembly	77.17	92.73
10	156355	Piping assembly upper TR100C, TR140C ¹	153.67	184.65
11	156344	Piping assembly upper inlet TR100C, TR140C	108.19	130.00
12	156354	Piping connecting assembly upper TR140C	122.04	146.64
13	154412	Nut, 2 in. internal	14.72	17.69

¹ Different quantities required for TR100C and TR140C Filters.

² Use on filters manufactured before 11-1-99.

³ Use on filters manufactured after 11-1-99.

Item	Part No.	Description	US List	Can. List
TR100C & TR140C SAND FILTERS				
14	153430	Tank & ft. assembly TR100C, 8-1/2 in. btr. thd., black	2423.01	2911.49
14	153431	Tank & ft. assembly TR140C, 8-1/2 in. btr. thd., black	3531.21	4243.10
15	154453	Hub lateral TR100C/TR140C	158.02	189.88
16	154596	Foot, 24 in. dia. TR100C/TR140C	222.97	267.92
17	152202Z	Lateral, 9-1/8 in. TR100C, 8 req.	17.02	20.45
17	154540Z	Lateral, 12 in. TR140C, 8 req.	30.85	37.07
18	154412	Locknut, 2 in. internal	14.72	17.69
19	154416	Spacer, 2 in. internal	21.47	25.80
20	154492	O-ring, 2 in. bulkhead	3.93	4.72
21	154408	Spacer, 2 in. external	21.47	25.80
22	154538	Gasket, 2 in. bulkhead	3.21	3.86
23	154405	Bulkhead, 2 in.	110.34	132.58
24	274494	O-ring, 3/16 in. x 2-5/8 in. L.H. Thread	7.24	8.70
25	152220Z	2 in. sand drain (Left-hand thread)	66.23	79.58
26	154871	Cap thd., 1-1/2 in.	12.63	15.18
27	154527	Wrench, 8-1/2 in. closure	43.96	52.82
28	154807	Piping assembly lower TR100C	83.03	99.77
28	154489	Piping assembly lower TR140C	85.58	102.83
29	150036	Connector air relief tube ³	2.29	2.75
30	273071	Screw, No.14 18-8 TR100C ¹	2.57	3.09
31	154437	Tube air relief TR100C ²	26.88	32.30
31	150041	Tube air relief TR100C ³	22.86	27.47
31	154438	Tube air relief TR140C ²	34.77	41.78
31	150042	Tube air relief TR140C ³	21.28	25.57
32	154507	Spacer air vent strainer TR100C 6-3/4 in.	12.88	15.48
32	154508	Spacer air vent strainer TR140C 10-5/16 in.	16.72	20.09
33	154578	Strainer air relief ²	20.88	25.09
33	150035	Strainer air relief ³	14.19	17.05
34	274494	O-ring valve adapter	7.24	8.70
35	271096	2 in. slip adaptor kit for inst. w/o valve (pair)	91.52	109.97
35	274426Z	Adapter Kit, 2-1/2 in. x 2 in.	73.07	87.80
36	271092	2 in. thd. adaptor kit for inst. w/o valve (pair)	91.52	109.97
37	271094	1-1/2 in. thd. adaptor kit for inst. w/o valve (pair)	91.52	109.97
38	154856	Kit closure 8-1/2 in. btr. thd. blk.	364.63	438.14

TRITON® C-3 FILTERS

REPLACEMENT PARTS FOR FIBERGLASS FILTERS

Item	Part No.	Description	US List	Can. List
TRITON C & C-3 SAND FILTERS				
1	273512	Air bleeder with O-ring ^{2,3}	17.10	20.55
2	273513	O-ring air bleeder screw ²	1.41	1.69
3	273564Z	Valve body machined ²	143.67	172.63
4	272546	Label warning manual air relief ²	CALL	CALL
5	190059Z	Pressure gauge ²	64.42	77.41
6	152517	O-ring adapter, 6 in. ²	6.45	7.75
7	273564Z	Manual air relief assembly ²	143.67	172.63
8	154575	Closure 8-1/2 in. ²	99.79	119.91
9	154412	Locknut, 2 in. internal	14.72	17.69
10	152509Z	Square ring-closure ^{2,3}	11.00	13.22
11	154527	Wrench, 8-1/2 in. closure ²	43.96	52.82
12	154856	Kit, 8-1/2 in. closure butt thread ⁶	364.63	438.14
12	156842	Closure kit C3 with bulkhead gaskets ⁶	399.12	479.58
15	154007	Upper piping assembly TR 100C-3	221.97	266.72
15	154008	Upper piping assembly TR 140C-3	225.85	271.38
16	154005	O-ring parker 2-343, 2 req.	9.68	11.63
17	154002	Spacer, 3 in., 2 req.	92.53	111.18
18	154004	O-ring parker 2-342, 2 req.	9.68	11.63
19	154003	Flange, 3 in., 2 req.	116.34	139.79
20	154001	Adapter flange, 3 in., 2 req.	95.66	114.95
21	154009	Lower piping assembly TR 100C-3 (Hub not included - see item 40)	226.70	272.40
21	154010	Lower piping assembly TR 140C-3 (Hub not included - see item 40)	223.60	268.68
22	154596	Foot, 24 dia. TR 100C-3/140C-3	222.97	267.92
23	152202Z	Lateral, 9 in. TR 100C-3, 8 req.	17.02	20.45
23	154540Z	Lateral, 12 in. TR 140C-3, 8 req.	30.85	37.07
24	154871	Cap thd., 1-1/2 in.	12.63	15.18
25	152220Z	Sand drain, 2 in. (Left-hand thread)	66.23	79.58
26	274494	O-ring, 3/16 in. x 2-5/8 in. i.d., 2 req.	7.24	8.70
27	154441	Connector air relief tube	CALL	CALL
28	154437	Tube air relief TR100C-3 (23 in.) ⁴	26.88	32.30
28	151114	Tube air relief TR100C-3 ⁵	25.88	31.10
28	154438	Tube air relief TR140C-3 (27 in.) ⁴	34.77	41.78
28	151115	Tube air relief TR140C3 ⁵	33.44	40.18
29	154018	Diffuser piping assembly TR 140C-3, 2 req	304.18	365.50
30	273071	Screw, No.10-1-1/2 in. flathead phillips, 2 req.	2.57	3.09

¹ P/N 156841 includes items 1, 10, 34 thru 38.

² Used on filters manufactured before 3-97.

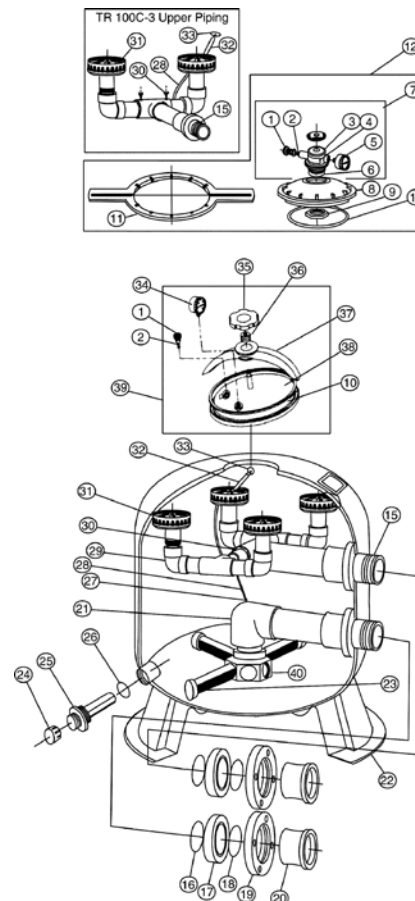
³ Used on filters manufactured after 3-97.

⁴ Used on filters manufactured before 11-99.

⁵ Used on filters manufactured after 11-99.

⁶ Used on filters manufactured after 4-15.

Item	Part No.	Description	US List	Can. List
TRITON C & C-3 SAND FILTERS				
31	154599	Diffuser (2 req'd. for TR 100C-3), 2 req.	58.23	69.97
31	154599	Diffuser (4 req'd. for TR 140C-3), 4 req.	58.23	69.97
32	154507	Spacer TR 100C-3, 6-3/4 in.	9.72	11.68
32	154508	Spacer TR 140C-3, 10-5/16 in.	12.61	15.15
33	154578	Strainer air relief ⁴	15.75	18.93
33	150035	Strainer air relief ⁵	10.71	12.87
34	190058Z	Pressure gauge, 1/4 in. psi ³	48.61	58.41
35	154581	Knob TR oval ³	21.90	26.32
36	154582	Spring TR oval ³	51.36	61.71
37	154579	Bridge TR oval ³	122.06	146.67
38	154576	Closure oval ³	114.80	137.94
39	156841	Kit TR oval closure ^{1,3}	385.90	463.70
40	154016Z	Hub	CALL	CALL
NOT SHOWN				
154714		Bulkhead ASY 2 IN TR (includes items 20, 21, 22, 23, 24, & 25)	229.96	276.32
151600		Oval Bulkhead Wrench	795.50	955.87
151604		Oval Bulkhead Wrench	1050.05	1261.74
150096		3" Flange Gaskets	CALL	CALL
151092		Aluminum Wrench	701.30	842.68



SCH 40 & 80 FOR TR100C, TR140C & TR100C-3, TR140C-3

TANDEM FILTER PIPING KITS FOR 2 IN. AND 3 IN. FILTERS

Item	Description	Schedule	Qty.
THE FOLLOWING ARE INCLUDED IN KITS FOR TR C FILTERS			
1	Flange VS, socket, 150 lb.	80	2
2	Flange VS, spigot, 150 lb.	80	6
3	Butterfly valve, Asahi SP		4
4	Hardware kit, valve/flange hardware (No. 1), Includes: 16-5/8 x 6 in. hex head bolts, 16-5/8 in. nuts, 32-5/8 in. washers		1
5	Socket reducer tee	40	4
6	2 in. Spigot x socket 45° str. elbow	40	4
7	2 in. Spigot female adapter, spigot x fipt	40	4
8	2 in. Valve adapter kit		2
9	Socket tee	40	1
10	90° Socket elbow	40	1
11	Socket reducer saddle	40	6
12	2 in. Flange one-piece socket, 150 lb.	80	2
SINGLE TANK 2 IN. ADDER KIT			
1	Socket reducer tee, 4 x 2	40	2
2	2 in. Spigot x socket 45° str. elbow	40	2
3	2 in. Spigot female adapter, spigot x fipt	40	2
4	2 in. Valve adapter kit		1
5	Socket reducer saddle, 4 x 2	40	3
6	2 in. Flange one-piece socket, 150 lb.	80	1
THE FOLLOWING ARE INCLUDED IN KITS FOR TR C-3 IN. FILTERS			
1	Flange VS, socket, 150 lb.	80	2
2	Flange VS, spigot, 150 lb.	80	6
3	Butterfly valve, Asahi SP		4
4	Hardware kit, valve/flange hardware (No.1), Includes: 16-5/8 x 6 in. hex head bolts, 16-5/8 in. nuts, 32-5/8 in. washers		1
5	Socket tee	40	5
6	3 in. Spigot x socket 45° str. elbow	40	4
7	Socket reducer saddle	40	3
8	2 in. Flange one-piece socket, 150 lb. solid	80	1
9	3 in. Flange VS, spigot, 150 lb.	80	4
10	3 in. Bolt pack, tank/flange hardware w/ gasket (No.4), Includes: 16-5/8 x 3-1/4 in. hex head bolts, 16-5/8 in. nuts, 32-5/8 in. washers		1
11	90° Socket elbow	40	1
SINGLE TANK 3 IN. ADDER KIT			
1	Socket reducer tee	40	2
2	3 in. Spigot x socket 45° str. elbow	40	2
3	Socket reducer saddle	40	3
4	2 in. Flange one-piece socket, 150 lb. solid	80	1
5	3 in. Flange VS, spigot, 150 lb.	80	2
6	3 in. Bolt pack, tank/flange hardware w/ gasket (No.5), Includes: 8-5/8 x 3-1/4 in. hex head bolts, 8-5/8 in. nuts, 16-5/8 in. washers		1

Please contact the Factory for Drawings and Sizing details on Plumbing kits for the Triton C & C-3 in. Filters.

Product on pages 93–94.

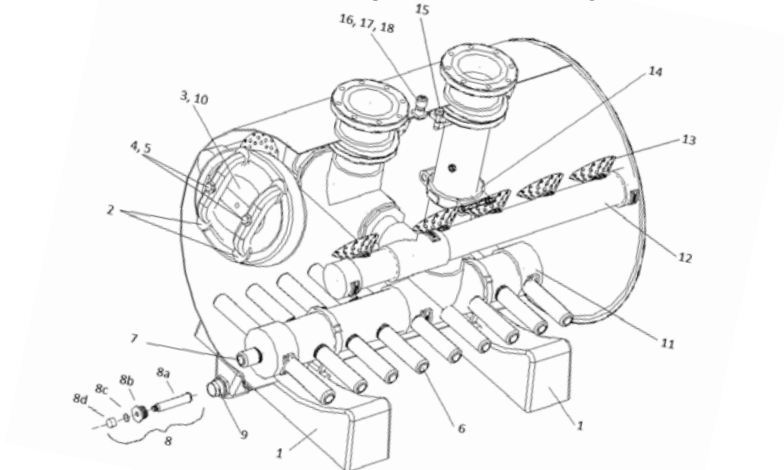
CALIFORNIA PROPOSITION 65 WARNING

▲ **WARNING:** Cancer and Reproductive Harm.
▲ **AVERTISSEMENT:** Peut Causer le Cancer et des Dommages au Système Reproducteur.
▲ **ADVERTENCIA:** Cáncer y Daño Reproductivo.

www.p65warnings.ca.gov
PH2017A

THS SERIES® HORIZONTAL SAND FILTER

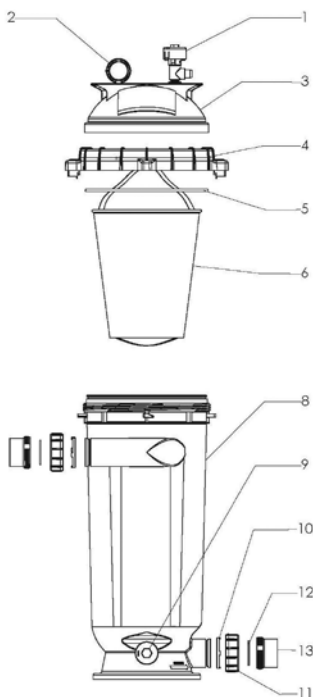
REPLACEMENT PARTS



THS SERIES® HORIZONTAL SAND FILTERS				
1	B4848BL-32	Tank Saddle, Black	All	2
2	B4856	Yoke, Manway	All	2
3	B4852A-N	Glass Filled Manway Cover, Black	All	1
4	94910	HHMB, 3/4 in. x 4 in., T316 S/S	All	2
5	B4860	3/4 in. Flat Washer, T316 S/S	All	2
6	B4804	10 in. Effluent Lateral	THS3461	14
			THS3484	20
			THS4272	18
			THS4284	24
			THS4296	28
7	B4803	3-1/2 in. Effluent Lateral	THS3461 - THS3484	2
			THS4272 - THS4296	3
8	B4980	Media Dump Assembly	All	1
8a	B4983	6 in. Lateral, 1/2 in. NPT	All	1
8b	B4982	1-1/2 in. Pipe Plug	All	1
8c	B4698	O-Ring	All	1
8d	B4984	1/2 in. Pipe Cap	All	1
9	B4981X	1-1/2 in. NPT Tank Adapter	All	1
10	B4951	Manway O-ring	All	1
11	**	Effluent Manifold without Laterals	**	1
12	**	Influent Manifold without Laterals	**	1
13	B4806	Shower Head Diffuser	THS3461	8
			THS3484	10
			THS4272	10
			THS4284	12
			THS4296	14
14	B4570	4 in. Grooved Coupling Assembly	THS3461 - THS3484	1
14	B4572	6 in. Grooved Coupling Assembly	THS4272 - THS4296	1
15	B4578	Automatic Air Relief Assembly	All	1
16	B4974BAN	1/2 in. Manual Air Relief Cap	All	1
17	B4970BAN	1/2 in. Threaded Nipple	All	1
18	B4979BAN	1/2 in. Bulkhead Fitting	All	1

SEPARATION TANK

REPLACEMENT PARTS

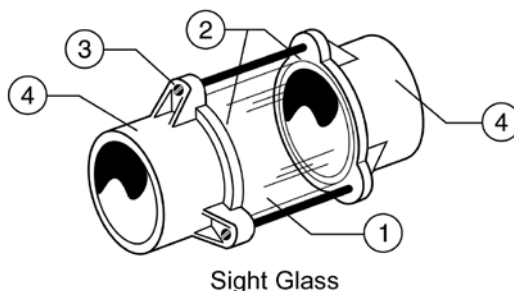


Item	Part No.	Description	US List	Can. List
SEPARATION TANK - SEP 48/72/96/144				
1	98209800	High Flow manual air relief valve	51.45	61.82
2	190058Z	Pressure Gauge	64.42	77.41
3	310010Z	Tank Lid	236.97	284.74
4	59052900	Locking Ring Assembly	147.32	177.02
5	87300400Z	Body O-Ring	14.53	17.46
6	170099	Separation Bag Retaining Ring	222.28	267.09
8	178731Z	Tank Bottom	520.32	625.22
9	154712Z	Drain Cap Assembly	44.75	53.77
10	178732Z	Union Nut "C" Clip	11.53	13.85
11	U11-200PSZ	Union Nut	16.28	19.56
12	178746Z	Union Diamond Seal	6.23	7.49
13	178733Z	Union, Threaded Half	66.10	79.43
	170099	Separation Bag (Not Shown)	222.28	267.09

Product on page 86.

SIGHT GLASS

REPLACEMENT PARTS FOR AMERICAN PRODUCTS MODELS



Sight Glass

Item	Part No.	Description	US List	Can. List
SIGHT GLASS				
2	51006100	Gasket, 2 req.	4.82	5.79
3	51006200	Bolt, 3 req.	CALL	CALL
4	51013200	Top and bottom ABS, 1-1/2 socket	CALL	CALL
NOT SHOWN				
	619312	Nut, 8-32, 3 req.	0.50	0.60

¹ Used on filters manufactured before 9-96.

² To upgrade sep. tanks manufactured after 9-96.

CALIFORNIA PROPOSITION 65 WARNING

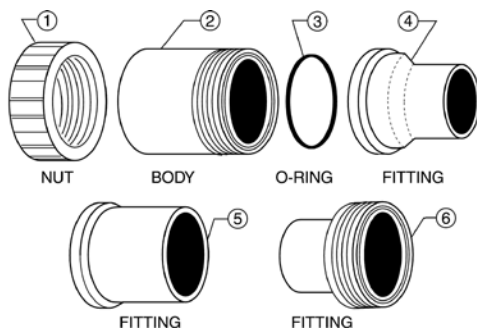
⚠ **WARNING:** Cancer and Reproductive Harm.
 ⚠ **AVERTISSEMENT:** Peut Causer le Cancer et des Dommages au Système Reproducteur.
 ⚠ **ADVERTENCIA:** Cáncer y Daño Reproductivo.

www.p65warnings.ca.gov. PR#201714

Product on page 95.

UNIONS

REPLACEMENT PARTS



Item	Part No.	Description	US List	Can. List
UNIONS				
1	51013011	Nut, black	40.32	48.45
2	87201911	Fitting, 2 in. slip ABS	CALL	CALL
3	51013500	O-ring	9.36	11.25
4	87202411	Body male, 1-1/2 in., ABS	29.45	35.39
5	87202211	Body, 1-1/2 in. slip x 2 in. male ABS	34.39	41.32

CALIFORNIA PROPOSITION 65 WARNING

⚠️ **WARNING:** Cancer and Reproductive Harm.
 ⚠️ **AVERTISSEMENT:** Peut Causer le Cancer et des Dommages au Système Reproducteur.
 ⚠️ **ADVERTENCIA:** Cáncer y Daño Reproductivo.

www.p65warnings.ca.gov. PN 20211A