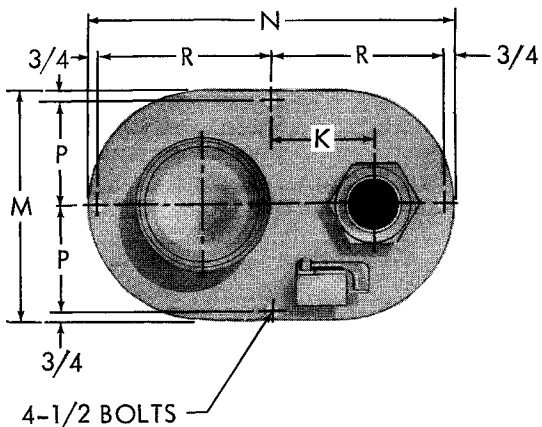


ON OVAL PLATE

DATED **DECEMBER 1971**

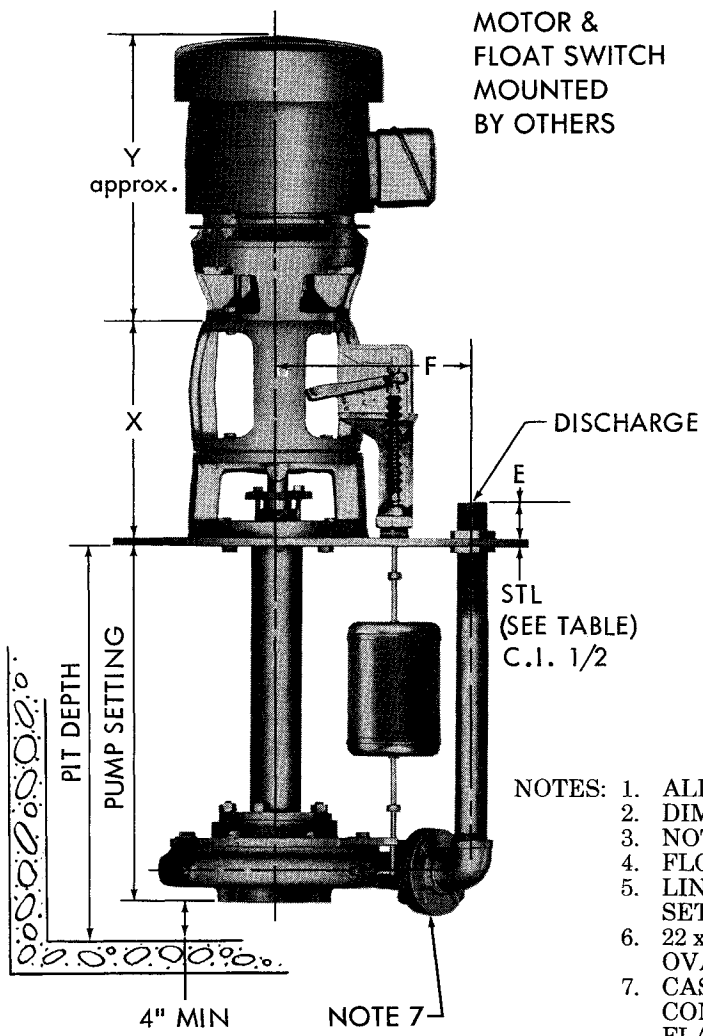
SUPERSEDES PAGE 251

DATED DECEMBER 1970



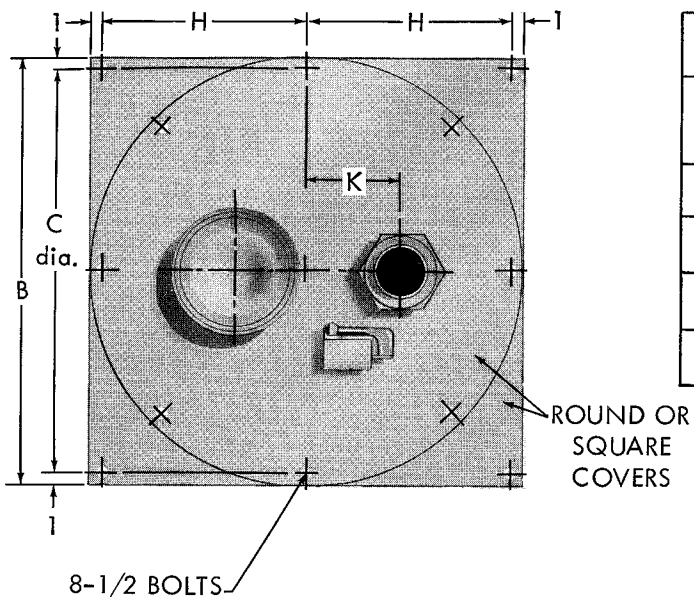
PUMP SIZE		E	F	K	OVAL SIZE	
DISCH.	CASE BORE					
2	7	4-1/16	9-1/4	6-3/4	20 x 24	3/8
2	9	4-1/2	10-3/4	8-1/4	20 x 24	3/8
3*	7	4-1/4	11-7/8	6-3/8	22 x 28	1/2
3*	9	4-5/16	13-1/4	7-3/4	22 x 28	1/2

OVAL	M	N	P	R
20 x 24	20	24	9-1/4	11-1/4
22 x 28	22	28	10-1/4	13-1/4



FRAME	X	Y
143HP	13-7/8	11
145HP	13-7/8	12
182HP	13-7/8	13
184HP	13-7/8	14
213HP	13-7/8	16
215HP	13-7/8	17
254HP	13-7/8	19
256HP	13-7/8	21

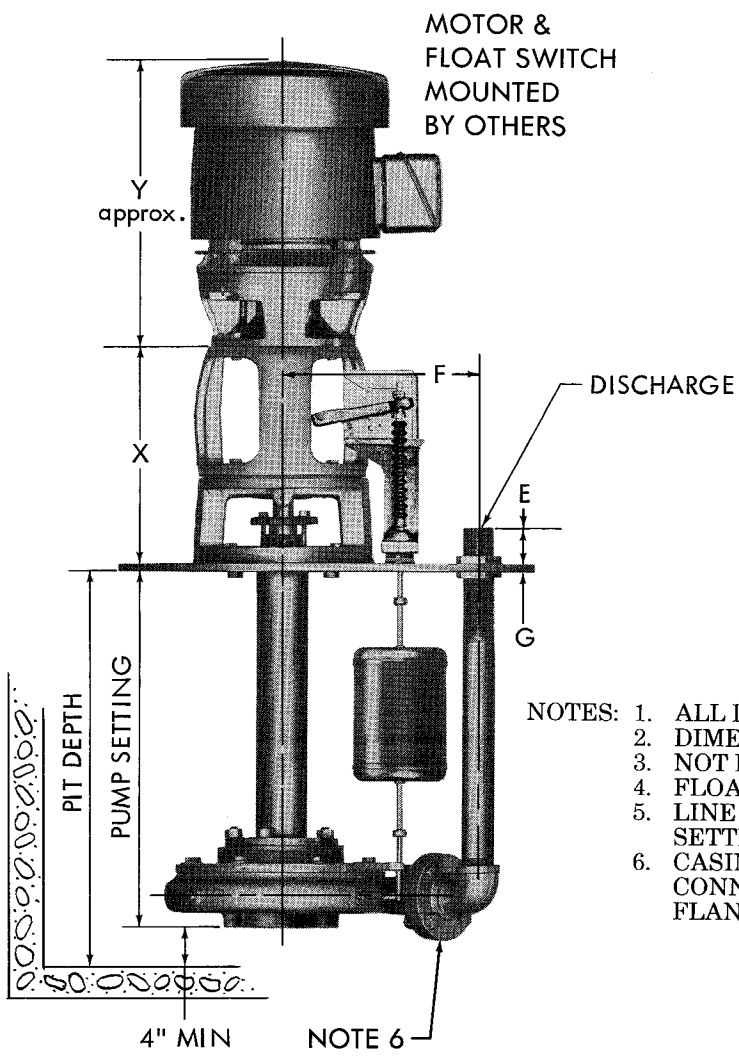
- NOTES:
1. ALL DIMENSIONS IN INCHES.
 2. DIMENSIONS MAY VARY $\pm 3/8$.
 3. NOT FOR CONSTRUCTION PURPOSES UNLESS CERTIFIED.
 4. FLOAT SWITCH FURNISHED ONLY WHEN SPECIFIED.
 5. LINE SHAFT BEARINGS FURNISHED ON 6' 2" PUMP SETTINGS AND LONGER.
 6. 22 x 28 OVALS ARE ALSO AVAILABLE WHERE 20 x 24 OVALS ARE SHOWN.
 7. CASINGS WITH 2" DISCHARGE HAVE THREADED CONNECTIONS. CASINGS WITH 3" DISCHARGE HAVE FLANGED CONNECTIONS.
- *3" PUMPS NOT AVAILABLE ON 20" x 24" OVAL.



PUMP SIZE		E	F	K	MINIMUM COVER SIZE
DISCH.	CASE BORE				
2	7	4-1/16	9-1/4	6-3/4	24
2	9	4-1/2	10-3/4	8-1/4	26
3	7	4-1/4	11-7/8	9-3/8	32
3	9	4-5/16	13-1/4	10-3/4	32

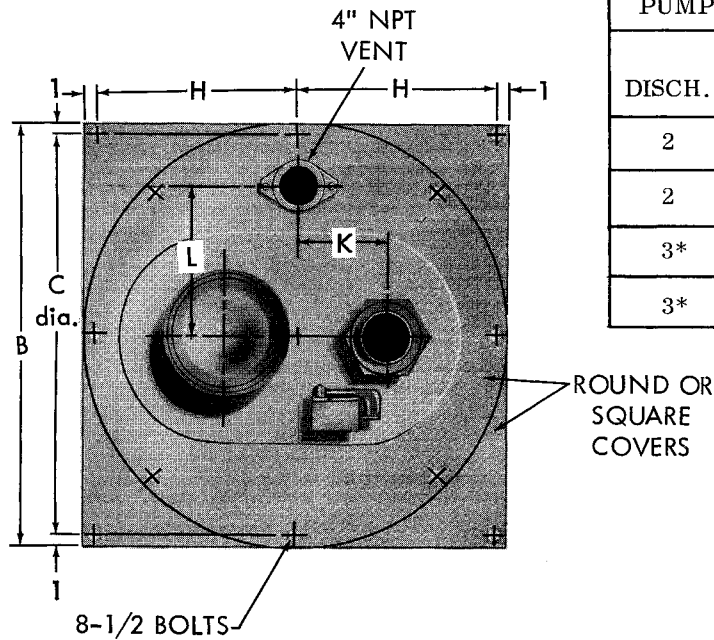
COVER SIZE B	C ROUND	H SQUARE	G
			STEEL
24	22	11	3/8
28	26	13	3/8

FRAME	X	Y
143HP	13-7/8	11
145HP	13-7/8	12
182HP	13-7/8	13
184HP	13-7/8	14
213HP	13-7/8	16
215HP	13-7/8	17
254HP	13-7/8	19
256HP	13-7/8	21



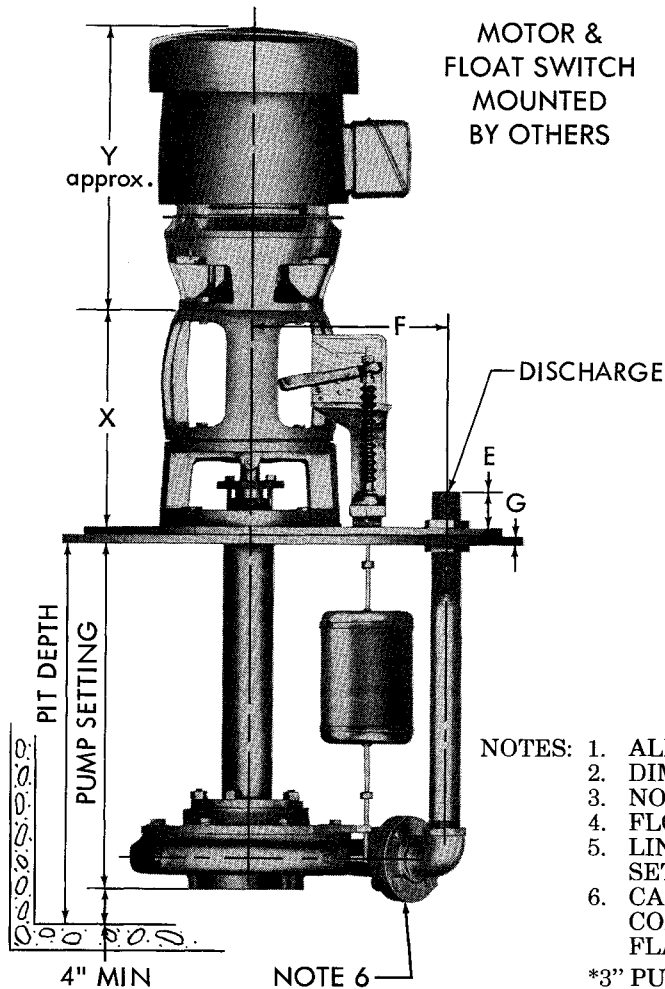
- NOTES:
1. ALL DIMENSIONS IN INCHES.
 2. DIMENSIONS MAY VARY $\pm 3/8$.
 3. NOT FOR CONSTRUCTION PURPOSES UNLESS CERTIFIED.
 4. FLOAT SWITCH FURNISHED ONLY WHEN SPECIFIED.
 5. LINE SHAFT BEARINGS FURNISHED ON 6' 2" PUMP SETTINGS AND LONGER.
 6. CASINGS WITH 2" DISCHARGE HAVE THREADED CONNECTIONS. CASINGS WITH 3" DISCHARGE HAVE FLANGED CONNECTIONS.

AURORA MODEL 641 PUMP ON SIMPLEX PLATE WITH OVAL



PUMP SIZE		E	F	K	OVAL SIZE	MINIMUM COVER SIZE
DISCH.	CASE BORE					
2	7	4-1/16	9-1/4	6-3/4	20 x 24	34
2	9	4-1/2	10-3/4	8-1/4	20 x 24	34
3*	7	4-1/4	11-7/8	6-3/8	22 x 28	36
3*	9	4-5/16	13-1/4	7-3/4	22 x 28	36

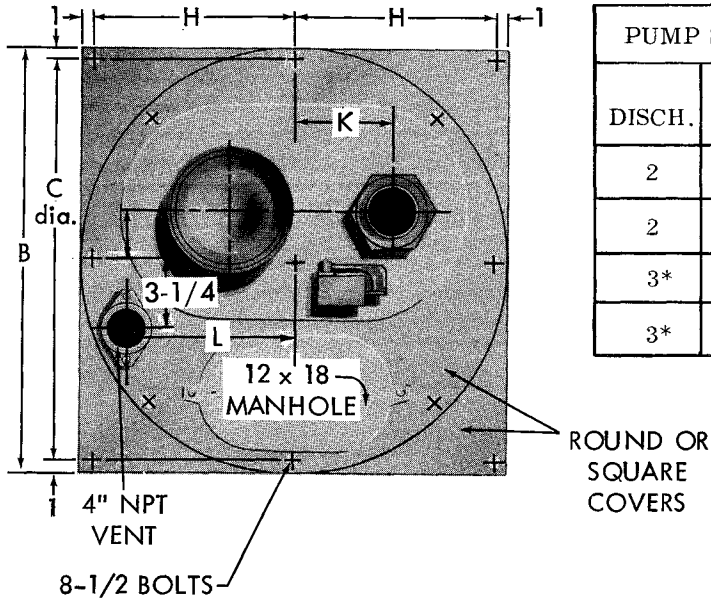
COVER SIZE B	C ROUND	H SQUARE	G	L
			STEEL	
34	32	16	3/8	12-3/4
40	38	19	3/8	14-1/2
46	44	22	1/2	16
53	51	25-1/2	1/2	17-3/4
60	58	29	5/8	19-1/2
66	64	32	5/8	21
78	76	38	5/8	24



FRAME	X	Y
143HP	13-7/8	11
145HP	13-7/8	12
182HP	13-7/8	13
184HP	13-7/8	14
213HP	13-7/8	16
215HP	13-7/8	17
254HP	13-7/8	19
256HP	13-7/8	21

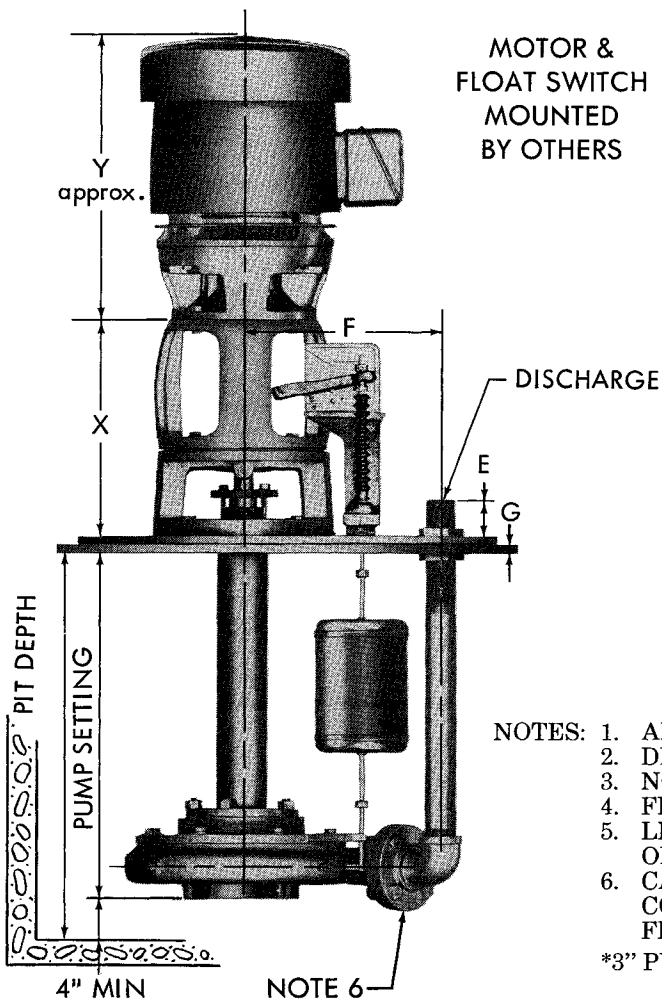
- NOTES:
1. ALL DIMENSIONS IN INCHES.
 2. DIMENSIONS MAY VARY $\pm 3/8$.
 3. NOT FOR CONSTRUCTION PURPOSES UNLESS CERTIFIED.
 4. FLOAT SWITCH FURNISHED ONLY WHEN SPECIFIED.
 5. LINE SHAFT BEARINGS FURNISHED ON 6' 2" PUMP SETTINGS AND LONGER.
 6. CASINGS WITH 2" DISCHARGE HAVE THREADED CONNECTIONS. CASINGS WITH 3" DISCHARGE HAVE FLANGED CONNECTIONS.

*3" PUMPS NOT AVAILABLE ON 20" x 24" OVAL.



PUMP SIZE		E	F	K	OVAL SIZE	MINIMUM COVER SIZE
DISCH.	CASE BORE					
2	7	4-1/16	9-1/4	6-3/4	20 x 24	40
2	9	4-1/2	10-3/4	8-1/4	20 x 24	40
3*	7	4-1/4	11-7/8	6-3/8	22 x 28	42
3*	9	4-5/16	13-1/4	7-3/4	22 x 28	42

COVER SIZE B	C ROUND	H SQUARE	G		L
			STEEL		
40	38	19	3/8		14-1/2
46	44	22	1/2		17
53	51	25-1/2	1/2		18-3/4
60	58	29	5/8		20-1/2
66	64	32	5/8		22
78	76	38	5/8		25



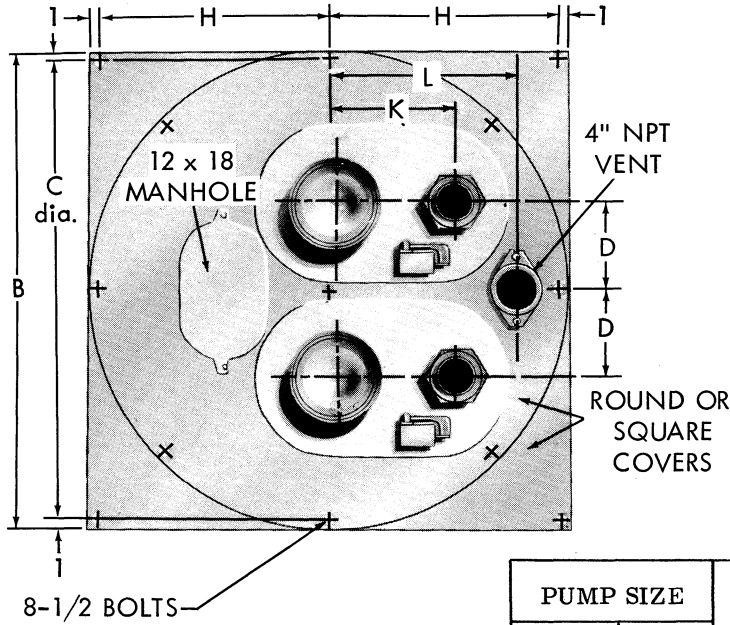
MOTOR & FLOAT SWITCH MOUNTED BY OTHERS

FRAME	X	Y
143HP	13-7/8	11
145HP	13-7/8	12
182HP	13-7/8	13
184HP	13-7/8	14
213HP	13-7/8	16
215HP	13-7/8	17
254HP	13-7/8	19
256HP	13-7/8	21

- NOTES: 1. ALL DIMENSIONS IN INCHES.
 2. DIMENSIONS MAY VARY ± 3/8.
 3. NOT FOR CONSTRUCTION PURPOSES UNLESS CERTIFIED.
 4. FLOAT SWITCH FURNISHED ONLY WHEN SPECIFIED.
 5. LINE SHAFT BEARINGS FURNISHED ON PUMP SETTINGS OF 6' 2" AND LONGER.
 6. CASINGS WITH 2" DISCHARGE HAVE THREADED CONNECTIONS. CASINGS WITH 3" DISCHARGE HAVE FLANGED CONNECTIONS.

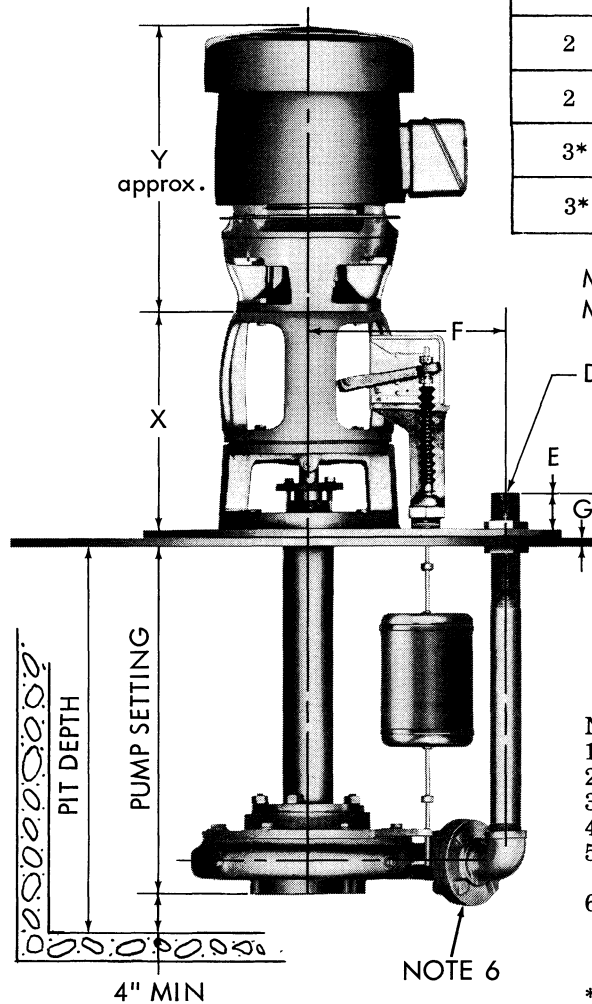
*3" PUMPS NOT AVAILABLE ON 20" x 24" OVAL.

AURORA MODEL 642 PUMP ON DUPLEX PLATE WITH TWO OVALS AND MANHOLE



COVER SIZE B	C ROUND	H SQUARE	G STEEL	L
46	44	22	1/2	17
53	51	25-1/2	5/8	19
60	58	29	5/8	19
66	64	32	3/4	19
78	76	38	3/4	19

PUMP SIZE		OVAL					MINIMUM COVER SIZE
DISCH.	CASE BORE	E	F	K	SIZE	D	
2	7	4-1/16	9-1/4	9-3/4	20 x 24	10-1/2	46
2	9	4-1/2	10-3/4	10-3/4	20 x 24	10-1/2	46
3*	7	4-1/4	11-7/8	8-7/8	22 x 28	11-1/2	50
3*	9	4-5/16	13-1/4	10-1/4	22 x 28	11-1/2	50



MOTOR & FLOAT SWITCH MOUNTED BY OTHERS

DISCHARGE

FRAME	X	Y
143HP	13-7/8	11
145HP	13-7/8	12
182HP	13-7/8	13
184HP	13-7/8	14
213HP	13-7/8	16
215HP	13-7/8	17
254HP	13-7/8	19
256HP	13-7/8	21

NOTES:

1. ALL DIMENSIONS IN INCHES.
2. DIMENSIONS MAY VARY $\pm 1/2$.
3. NOT FOR CONSTRUCTION PURPOSES UNLESS CERTIFIED.
4. FLOAT SWITCH FURNISHED ONLY WHEN SPECIFIED.
5. LINE SHAFT BEARINGS FURNISHED ON 6' 2" PUMP SETTINGS AND LONGER.
6. CASINGS WITH 2" DISCHARGE HAVE THREADED CONNECTIONS. CASINGS WITH 3" DISCHARGE HAVE FLANGED CONNECTIONS.

*3" PUMPS NOT AVAILABLE ON 20" x 24" OVAL.