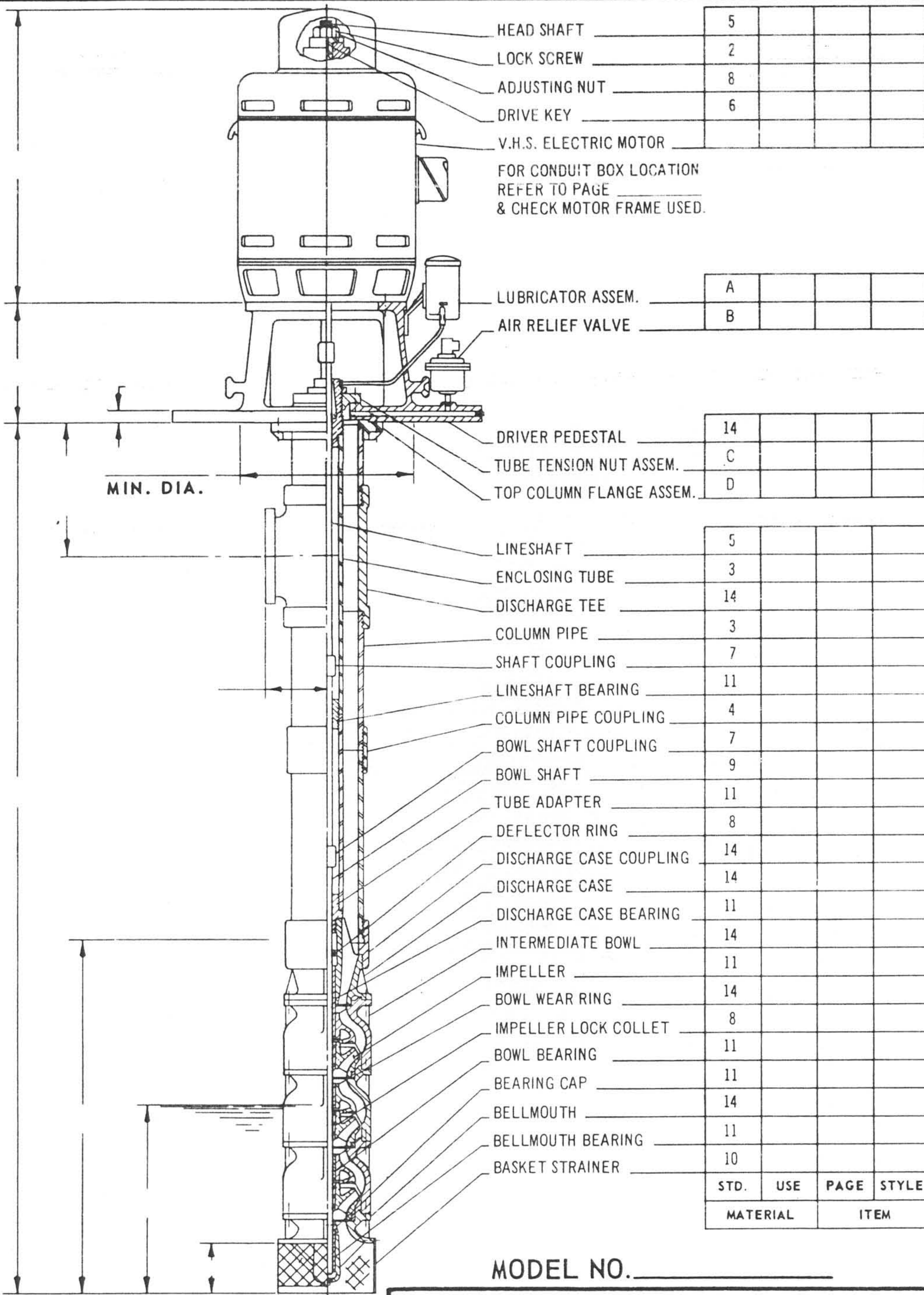


Verti-Line PUMP



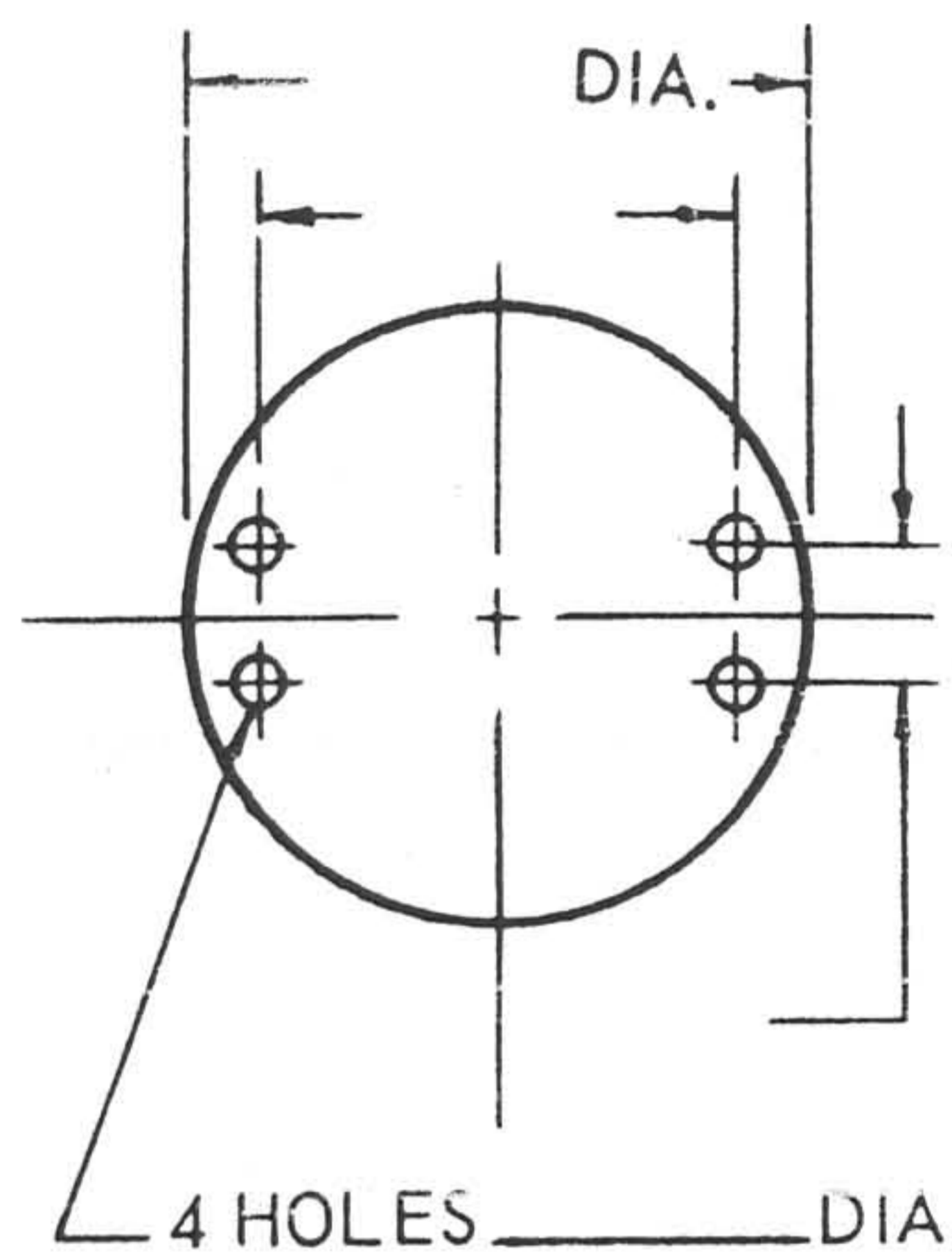
SECTION 40
PAGE 538
DATE 11/30/65
9/15/65

ENCLOSED LINESHAFT - THREADED COLUMN

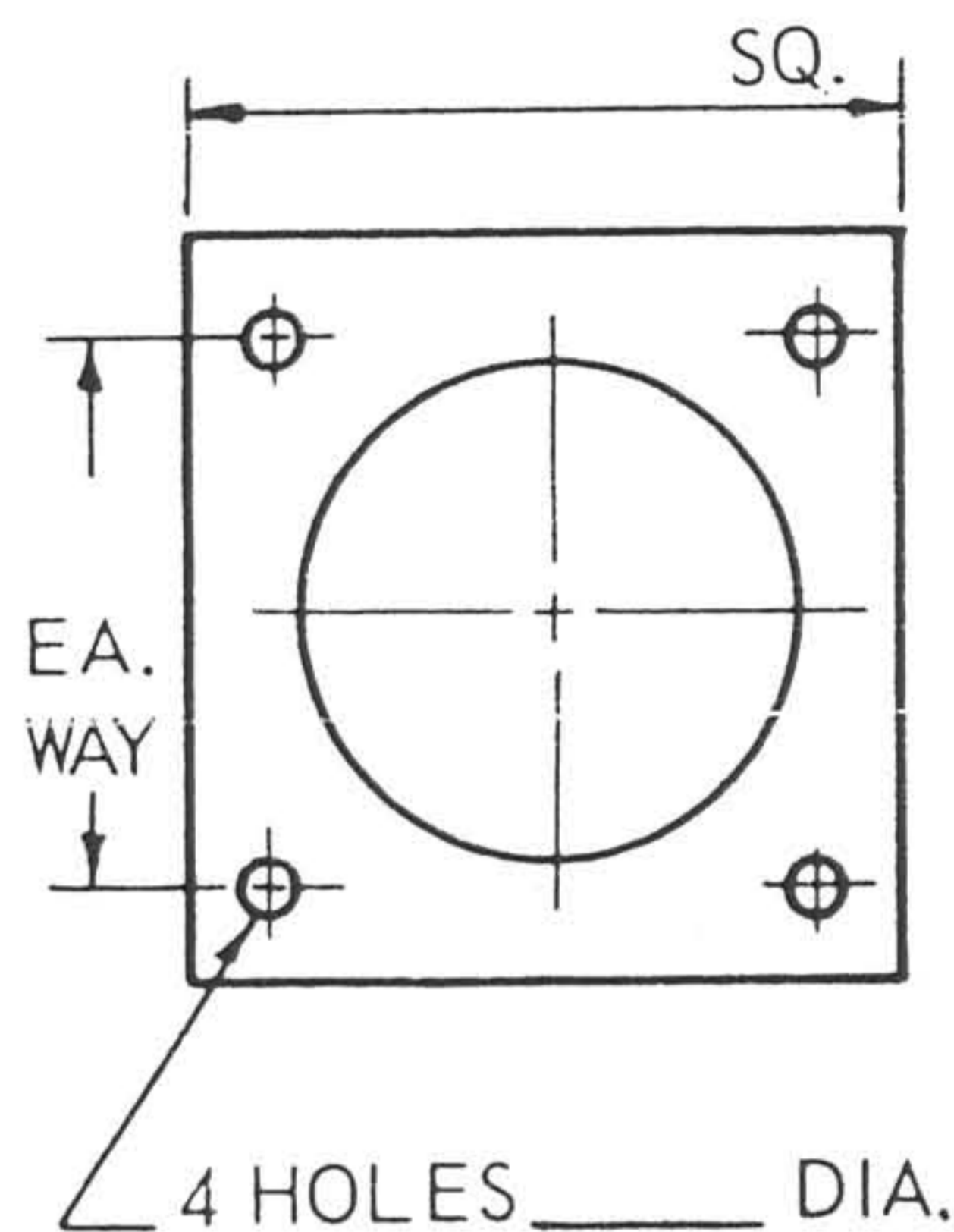


SEE PUMP MATERIAL SPECIFICATION INDEX BELOW

ROUND BASE PLATE DIMENSIONS



SQUARE BASE PLATE DIMENSIONS



NOTE:

USE CERTIFICATION OR APPROVAL STAMP ON REVERSE SIDE.

RAISED FACE DISCHARGE FLANGE AVAILABLE ONLY WHEN REQUESTED.

PUMP MATERIAL SPECIFICATIONS INDEX

1 Steel ASTM A 7	7 Steel SAE 1144	13 Neoprene	19	A Refer to page
2 Steel SAE 1018 GR 2	8 Steel SAE 1113	14 Moly Iron Class 35	20	B Refer to page
3 Steel ASA A120 GR B	9 Steel AISI 416	15	21	C Refer to page
4 Steel ASTM A 107	10 Coated Steel	16	22	D Refer to page
5 Steel SAE 1045	11 Bronze SAE 40	17	23	E Refer to page
6 Steel SAE 1019	12 Rubber	18	24	F Refer to page

LAYNE & BOWLER PUMP COMPANY

CITY OF INDUSTRY, CALIFORNIA (GREATER LOS ANGELES) PUENTE AVENUE AT VALLEY BOULEVARD ZIP MAIL -> BOX 1300, LA PUENTE, CALIFORNIA 91747

CUST. _____ L & B QUOTE (or order) NO. _____
 _____ NO. _____ SPEC. _____ ITEM. _____
 USER _____ TOTAL LGTH. _____ TOTAL WT. _____
 _____ NO. _____ BY _____ DATE _____