

BERKELEY® B3ZRM HEAVY DUTY PUMPS

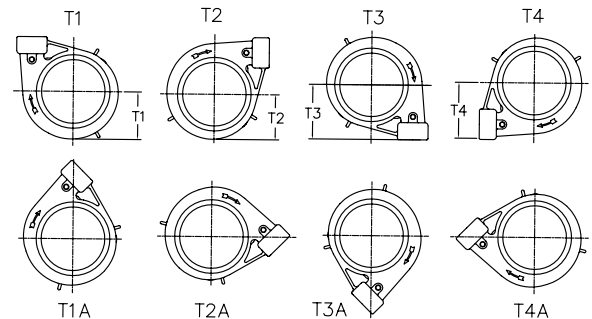
- Dimensionally interchangeable with the standard design
- Incorporates ten of the industry's best product features
- Provides the best operating and maintenance benefits available

Features / Benefits

- ▶ **Heavy-duty Bearing Frame**
Dimensionally interchangeable with the Standard Bearing Frame. Designed to maximize LT bearing life.
- ▶ **Sealed Bearings**
No in-field greasing is required. Keeps dirt and debris out of bearing.
- ▶ **Improved Bearing Retention Method**
Allows for extended dependability with minimal maintenance.
- ▶ **O-Ring Casing Seal (vs. Gasket)**
Better sealing method, more convenient for assembly/disassembly; allows easy rotation.
- ▶ **Hefty 1-1/4" Keyed Impeller Shaft**
Delivers excellent reliability and durability under all types of operating conditions. Offers easier removal and reduces shaft kit inventory for repairs.
- ▶ **416 S.S. Slip-fit Shaft Sleeve**
Offers safer, faster and easier maintenance. Sleeve installation does not require a torch, heat or cooling time, which can cause sticking or galling of the shaft.
- ▶ **Cast Iron Impellers**
Fine grained and precision cast to ASTM A48 Class 30.

▶ Casing

Available in CW and CCW models, with either NPT, Flanged or Victaulic connections. Casing can be rotated every 45 degrees for convenient mounting.



Note: Options T1A - T4A are rotated 45° from T1 - T4.

▶ Packed Stuffing Box Design

2-piece packing glands; large opening is easily accessed on either side for improved serviceability.

▶ Improved Bolt Clearance

More working room for easier installation.



BERKELEY® B3ZRM

Materials of Construction

Part Name	Material	Spec Number
Volute Case	Cast Iron	ASTM A48 Class 30
Impeller	Cast Iron	ASTM A48 Class 30
Adaptor Bracket	Cast Iron	ASTM A48 Class 30
Shaft Sleeve	416 S.S.	AISI 416SS
Packing	Graphite impregnated PTFE packing	

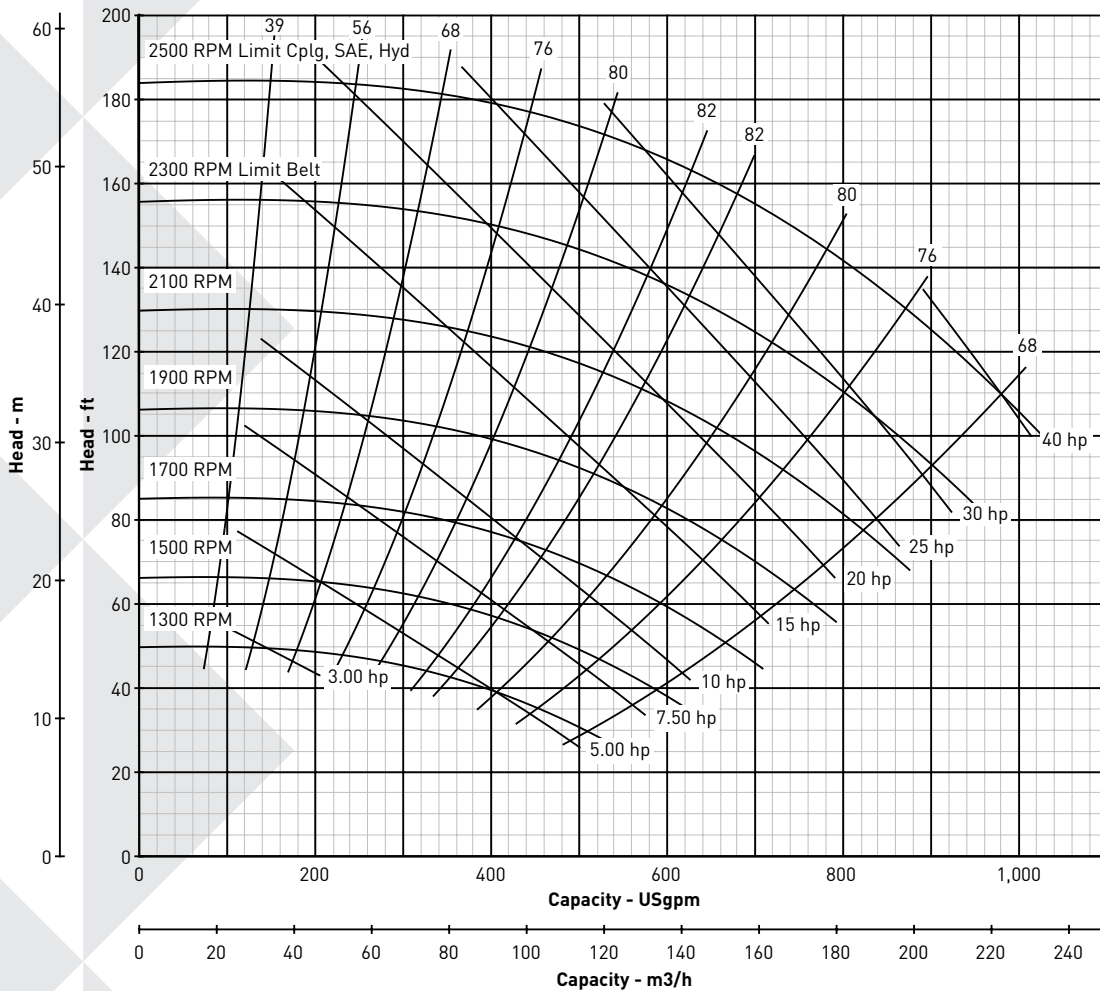
Pump Size: 3 x 4 x 9 M

9" Diameter Impeller

Nominal RPM: VARIOUS

Based on Fresh Water @ 68 deg. F.

Maximum Working Pressure: 266 PSI



293 WRIGHT STREET, DELAVAN, WI 53115 WWW.BERKELEYPUMPS.COM
 PH: 888-237-5353 ORDERS FAX: 800-321-8793

Because we are continuously improving our products and services, Pentair reserves the right to change specifications without prior notice.

© 2012 Pentair Ltd. All Rights Reserved.

B2230BK (11/07/12)