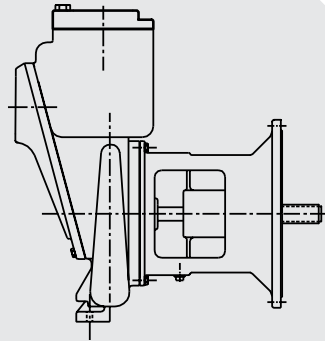
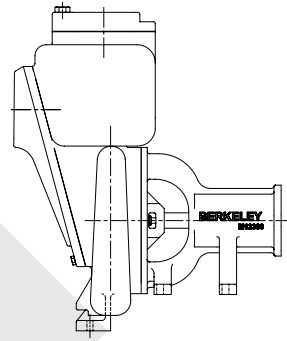


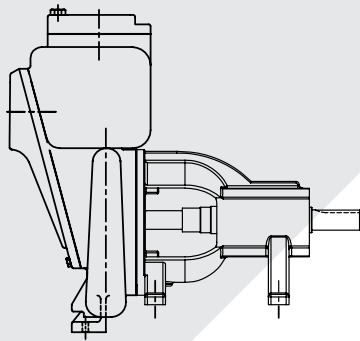
# **BERKELEY<sup>®</sup> B SERIES** SELF-PRIMING CENTRIFUGAL PUMPS PUMP DIMENSIONS



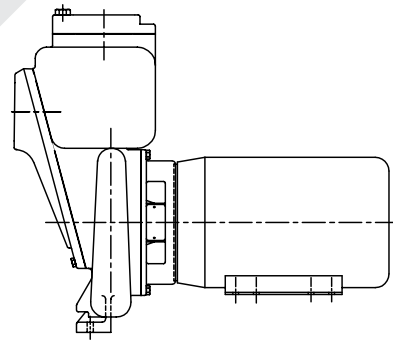
SAE Mount



Hydraulic Mount

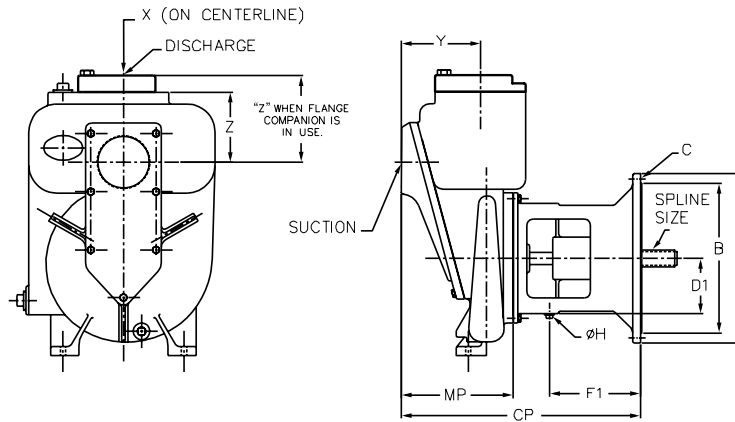


Frame Mount



Electric Motor Drive

# SAE Mount Dimensions



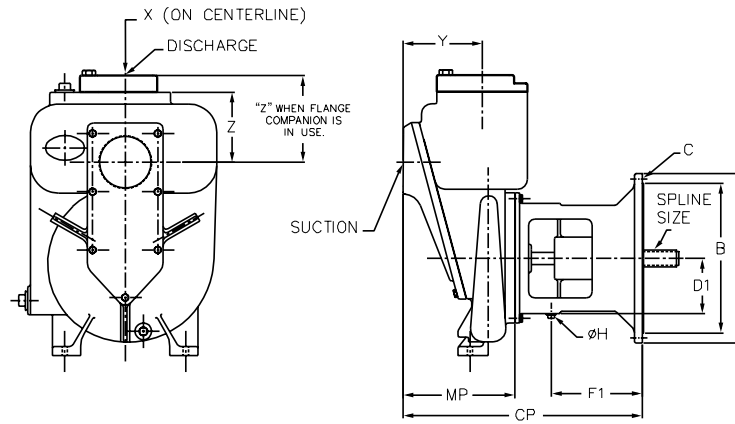
## SAE Self-Prime 1-3/8" - 10T Shaft Spline

|                   | PUMP MODEL | SHAFT SEAL | SUCTION | DISCHARGE               | SHAFT SPLINE SIZE | SHAFT EXT. | SAE HOUSING SIZE | X      | Y    | MP    | Z     |
|-------------------|------------|------------|---------|-------------------------|-------------------|------------|------------------|--------|------|-------|-------|
| VOLUTE DIMENSIONS | B3TQKHS    | Mechanical | 3" NPT  | 3" NPT                  | 1-3/8" - 10T      | 2-1/2"     | 5                | ON CL. | 6.79 | 8.98  | 2.67  |
|                   | B4TQKHS    | Mechanical | 4" NPT  | 4" NPT Flange Companion | 1-3/8" - 10T      | 2-1/2"     | 5                | ON CL. | 7.66 | 10.10 | 4.85* |
|                   | B4ZQKLS    | Mechanical | 4" NPT  | 4" NPT Flange Companion | 1-3/8" - 10T      | 2-1/2"     | 5                | ON CL. | 7.17 | 9.28  | 6.98* |
|                   |            | Mechanical | 4" NPT  | 4" NPT Flange Companion | 1-3/8" - 10T      | 3"         | 4                | ON CL. | 7.17 | 9.28  | 6.98* |
|                   | B4ZQKHS    | Mechanical | 4" NPT  | 4" NPT Flange Companion | 1-3/8" - 10T      | 2-1/2"     | 5                | ON CL. | 7.17 | 9.28  | 6.98* |
|                   |            | Mechanical | 4" NPT  | 4" NPT Flange Companion | 1-3/8" - 10T      | 3"         | 4                | ON CL. | 7.17 | 9.28  | 6.98* |

|                    | PUMP MODEL | SHAFT SEAL | SUCTION | DISCHARGE               | SHAFT SPLINE SIZE | SHAFT EXT. | SAE HOUSING SIZE | C     |       |             | DIA. H | F1   | D1   | CP   |            |           |
|--------------------|------------|------------|---------|-------------------------|-------------------|------------|------------------|-------|-------|-------------|--------|------|------|------|------------|-----------|
|                    |            |            |         |                         |                   |            |                  | A     | B     | BOLT CIRCLE |        |      |      |      | QTY. HOLES | HOLE SIZE |
| BRACKET DIMENSIONS | B3TQKHS    | Mechanical | 3" NPT  | 3" NPT                  | 1-3/8" - 10T      | 2-1/2"     | 5                | 14.00 | 12.37 | 13.12       | 8      | 0.44 | 0.44 | 9.00 | 4.53       | 19.48     |
|                    | B4TQKHS    | Mechanical | 4" NPT  | 4" NPT Flange Companion | 1-3/8" - 10T      | 2-1/2"     | 5                | 14.00 | 12.37 | 13.12       | 8      | 0.44 | 0.44 | 9.00 | 4.53       | 20.60     |
|                    | B4ZQKLS    | Mechanical | 4" NPT  | 4" NPT Flange Companion | 1-3/8" - 10T      | 2-1/2"     | 5                | 14.00 | 12.37 | 13.12       | 7      | 0.44 | 0.44 | 9.00 | 4.62       | 19.78     |
|                    |            | Mechanical | 4" NPT  | 4" NPT Flange Companion | 1-3/8" - 10T      | 3"         | 4                | 15.88 | 14.24 | 15.00       | 12     | 0.44 | 0.44 | 9.06 | 4.56       | 19.78     |
|                    | B4ZQKHS    | Mechanical | 4" NPT  | 4" NPT Flange Companion | 1-3/8" - 10T      | 2-1/2"     | 5                | 14.00 | 12.37 | 13.12       | 7      | 0.44 | 0.44 | 9.00 | 4.62       | 19.78     |
|                    |            | Mechanical | 4" NPT  | 4" NPT Flange Companion | 1-3/8" - 10T      | 3"         | 4                | 15.88 | 14.24 | 15.00       | 12     | 0.44 | 0.44 | 9.06 | 4.56       | 19.78     |

\*Dimension given includes the flange companion which is on the discharge of the volute.

# SAE Mount Dimensions



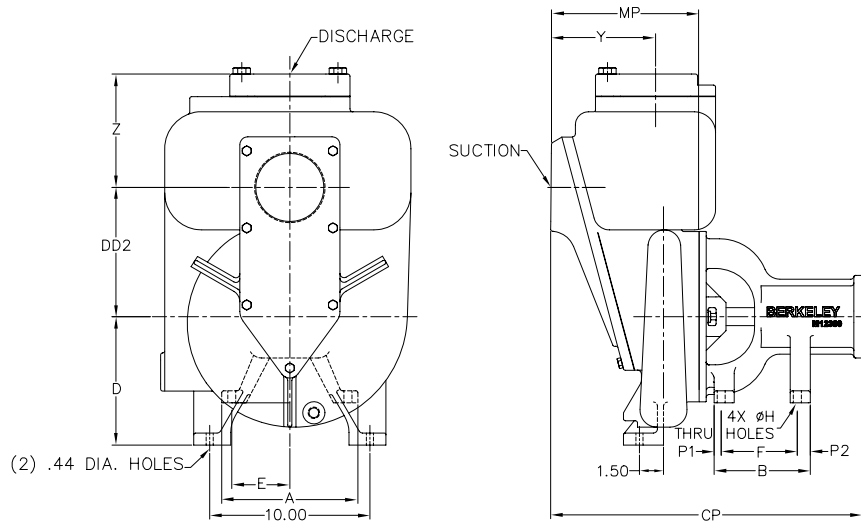
## SAE Self-Prime 1-1/2" - 10T Shaft Spline

| PUMP MODEL | SHAFT SEAL | SUCTION | DISCHARGE               | SHAFT SPLINE SIZE | CLUTCH SIZE | X      | Y    | MP   | Z     |
|------------|------------|---------|-------------------------|-------------------|-------------|--------|------|------|-------|
|            |            |         |                         |                   |             |        |      |      |       |
| B4ZQKLS    | Mechanical | 4" NPT  | 4" NPT Flange Companion | 1-1/2" - 10T      | 6.5         | ON CL. | 7.17 | 9.28 | 6.98* |
|            | Mechanical | 4" NPT  | 4" NPT Flange Companion | 1-1/2" - 10T      | 7.5         | ON CL. | 7.17 | 9.28 | 6.98* |
|            | Mechanical | 4" NPT  | 4" NPT Flange Companion | 1-1/2" - 10T      | 8           | ON CL. | 7.17 | 9.28 | 6.98* |
|            | Mechanical | 4" NPT  | 4" NPT Flange Companion | 1-1/2" - 10T      | 10          | ON CL. | 7.17 | 9.28 | 6.98* |
| B4ZQKHS    | Mechanical | 4" NPT  | 4" NPT Flange Companion | 1-1/2" - 10T      | 6.5         | ON CL. | 7.17 | 9.28 | 6.98* |
|            | Mechanical | 4" NPT  | 4" NPT Flange Companion | 1-1/2" - 10T      | 7.5         | ON CL. | 7.17 | 9.28 | 6.98* |
|            | Mechanical | 4" NPT  | 4" NPT Flange Companion | 1-1/2" - 10T      | 8           | ON CL. | 7.17 | 9.28 | 6.98* |
|            | Mechanical | 4" NPT  | 4" NPT Flange Companion | 1-1/2" - 10T      | 10          | ON CL. | 7.17 | 9.28 | 6.98* |

| PUMP MODEL | SHAFT SEAL | SUCTION | DISCHARGE               | SHAFT SPLINE SIZE | CLUTCH SIZE | SAE ( ) SHAFT EXT. | A     | B     | C           |            |           | DIA. H | F1 | D1 | CP    |
|------------|------------|---------|-------------------------|-------------------|-------------|--------------------|-------|-------|-------------|------------|-----------|--------|----|----|-------|
|            |            |         |                         |                   |             |                    |       |       | BOLT CIRCLE | QTY. HOLES | HOLE SIZE |        |    |    |       |
| B4ZQKLS    | Mechanical | 4" NPT  | 4" NPT Flange Companion | 1-1/2" - 10T      | 6.5         | (4) 2-3/4"         | 16.00 | 14.25 | 15.00       | 12         | 0.44      | NA     | NA | NA | 24.91 |
|            |            |         |                         |                   |             | (5) 2-1/2"         | 14.25 | 12.37 | 13.12       | 8          | 0.44      | NA     | NA | NA | 25.16 |
|            | Mechanical | 4" NPT  | 4" NPT Flange Companion | 1-1/2" - 10T      | 7.5         | (4) 2-3/4"         | 16.00 | 14.25 | 15.00       | 12         | 0.44      | NA     | NA | NA | 24.91 |
|            |            |         |                         |                   |             | (5) 2-1/2"         | 14.25 | 12.37 | 13.12       | 8          | 0.44      | NA     | NA | NA | 25.16 |
|            | Mechanical | 4" NPT  | 4" NPT Flange Companion | 1-1/2" - 10T      | 8           | (4) 2-3/4"         | 16.00 | 14.25 | 15.00       | 12         | 0.44      | NA     | NA | NA | 24.91 |
|            |            |         |                         |                   |             | (5) 2-1/2"         | 14.25 | 12.37 | 13.12       | 8          | 0.44      | NA     | NA | NA | 25.16 |
|            | Mechanical | 4" NPT  | 4" NPT Flange Companion | 1-1/2" - 10T      | 10          | (4) 2-3/4"         | 16.00 | 14.25 | 15.00       | 12         | 0.44      | NA     | NA | NA | 24.91 |
|            |            |         |                         |                   |             | (5) 2-1/2"         | 14.25 | 12.37 | 13.12       | 8          | 0.44      | NA     | NA | NA | 25.16 |
| B4ZQKHS    | Mechanical | 4" NPT  | 4" NPT Flange Companion | 1-1/2" - 10T      | 6.5         | (4) 2-3/4"         | 16.00 | 14.25 | 15.00       | 12         | 0.44      | NA     | NA | NA | 24.91 |
|            |            |         |                         |                   |             | (5) 2-1/2"         | 14.25 | 12.37 | 13.12       | 8          | 0.44      | NA     | NA | NA | 25.16 |
|            | Mechanical | 4" NPT  | 4" NPT Flange Companion | 1-1/2" - 10T      | 7.5         | (4) 2-3/4"         | 16.00 | 14.25 | 15.00       | 12         | 0.44      | NA     | NA | NA | 24.91 |
|            |            |         |                         |                   |             | (5) 2-1/2"         | 14.25 | 12.37 | 13.12       | 8          | 0.44      | NA     | NA | NA | 25.16 |
|            | Mechanical | 4" NPT  | 4" NPT Flange Companion | 1-1/2" - 10T      | 8           | (4) 2-3/4"         | 16.00 | 14.25 | 15.00       | 12         | 0.44      | NA     | NA | NA | 24.91 |
|            |            |         |                         |                   |             | (5) 2-1/2"         | 14.25 | 12.37 | 13.12       | 8          | 0.44      | NA     | NA | NA | 25.16 |
|            | Mechanical | 4" NPT  | 4" NPT Flange Companion | 1-1/2" - 10T      | 10          | (4) 2-3/4"         | 16.00 | 14.25 | 15.00       | 12         | 0.44      | NA     | NA | NA | 24.91 |
|            |            |         |                         |                   |             | (5) 2-1/2"         | 14.25 | 12.37 | 13.12       | 8          | 0.44      | NA     | NA | NA | 25.16 |

\*Dimension given includes the flange companion which is on the discharge of the volute.

# Hydraulic Mount Dimensions



## Hydraulic Self-Prime

| PUMP MODEL | SHAFT SEAL | ROTATION | SUCTION | DISCHARGE      | A    | B    | D    | E    | F    | H    | MP   | P1   | P2   | Y    | Z    | CP    | DD2  |
|------------|------------|----------|---------|----------------|------|------|------|------|------|------|------|------|------|------|------|-------|------|
| B4ZRK      | Packing    | CW       | 4 NPT   | 3.00 125# ANSI | 8.50 | 6.00 | 6.00 | 3.63 | 4.75 | 0.50 | 9.22 | 0.44 | 0.81 | 7.17 | 5.60 | 19.40 | 6.75 |

# Frame Mount Dimensions

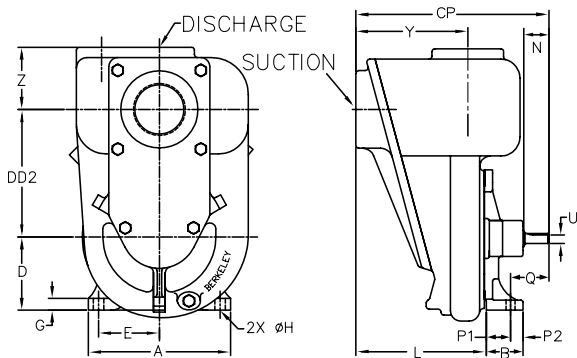


FIGURE 1

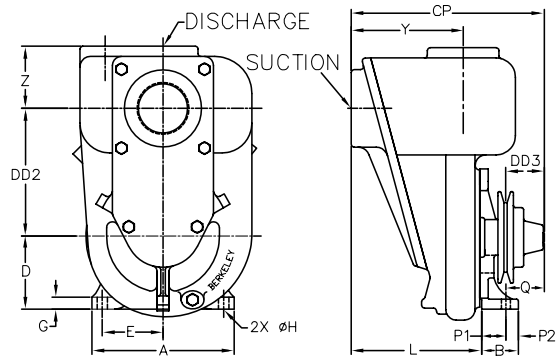


FIGURE 2

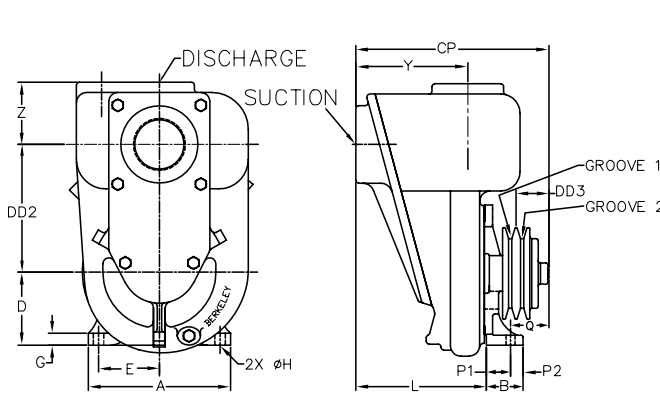


FIGURE 3

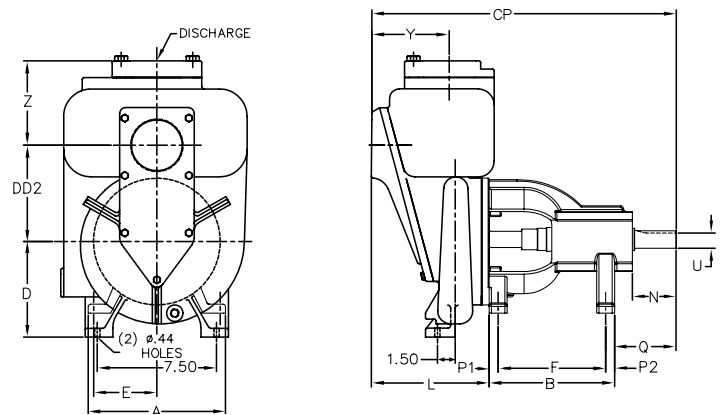


FIGURE 4

## Frame Mount Self-Prime

|                | PUMP MODEL | SHAFT SEAL | ROT | FIGURE | SUCTION | DISCHARGE      | KEY             | DIMENSIONS A-N |       |      |      |      |      |      |      |      |
|----------------|------------|------------|-----|--------|---------|----------------|-----------------|----------------|-------|------|------|------|------|------|------|------|
|                |            |            |     |        |         |                |                 | A              | B     | D    | E    | F    | G    | H    | L    | N    |
| DIMENSIONS A-N | B2XRKS     | Mechanical | CW  | 1      | 2" NPT  | 2" NPT         | 0.1875sq x 1.00 | 6.50           | 2.32  | 4.50 | 3.25 | NA   | 0.63 | 0.56 | 5.47 | 1.50 |
|                |            |            |     | 2      | 2" NPT  | 2" NPT         | NA              | 6.50           | 2.32  | 4.50 | 3.25 | NA   | 0.63 | 0.56 | 5.47 | 1.50 |
|                | B3TRKS     | Mechanical | CW  | 1      | 3" NPT  | 3" NPT         | 0.1875sq x .75  | 6.17           | 2.12  | 3.44 | 2.62 | NA   | 0.63 | 0.44 | 9.48 | 1.64 |
|                |            |            |     | 3      | 3" NPT  | 3" NPT         | NA              | 6.17           | 2.12  | 3.44 | 2.62 | NA   | 0.63 | 0.44 | 9.48 | 1.64 |
|                | B4ZRKS*    | Mechanical | CW  | 4      | 4" NPT  | 3.00 125# ANSI | .38sq x 2.500   | 11.50          | 10.50 | 6.00 | 5.00 | 9.00 | 0.75 | 0.63 | 9.91 | 4.63 |

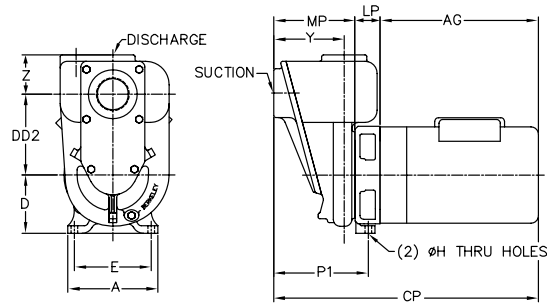
  

|                   | PUMP MODEL | SHAFT SEAL | ROT | FIGURE | SUCTION | DISCHARGE      | KEY             | DIMENSIONS P1-DD3 |      |      |       |      |      |       |      |        |
|-------------------|------------|------------|-----|--------|---------|----------------|-----------------|-------------------|------|------|-------|------|------|-------|------|--------|
|                   |            |            |     |        |         |                |                 | P1                | P2   | Q    | U     | Y    | Z    | CP    | DD2  | DD3    |
| DIMENSIONS P1-DD3 | B2XRKS     | Mechanical | CW  | 1      | 2" NPT  | 2" NPT         | 0.1875sq x 1.00 | 1.53              | 0.78 | 2.28 | 0.51  | 4.75 | 2.63 | 9.29  | 5.37 | NA     |
|                   |            |            |     | 2      | 2" NPT  | 2" NPT         | NA              | 1.53              | 0.78 | 2.28 | NA    | 4.75 | 2.63 | 9.29  | 5.37 | 1.81   |
|                   | B3TRKS     | Mechanical | CW  | 1      | 3" NPT  | 3" NPT         | 0.1875sq x .75  | 0.88              | 1.24 | 2.88 | 0.51  | 6.91 | 2.59 | 13.24 | 7.97 | NA     |
|                   |            |            |     | 3      | 3" NPT  | 3" NPT         | NA              | 0.88              | 1.24 | 2.88 | NA    | 6.91 | 2.59 | 13.24 | 7.97 | 2.00** |
|                   | B4ZRKS*    | Mechanical | CW  | 4      | 4" NPT  | 3.00 125# ANSI | .38sq x 2.500   | 0.75              | 0.75 | 6.88 | 1.487 | 7.17 | 5.60 | 26.54 | 6.75 | NA     |

\*Heavy duty "Z" frame.

\*\*Add .38" for center of groove 1, subtract .38" for center of groove 2.

# Electric Motor Drive Dimensions



| PUMP MODEL | SHAFT SEAL | NPT SUCTION | DISCHARGE | Y    | Z    | DD2  | D    | LP   | MP   | P1    | AG    | CP    | A    | E    | H    | HP   | MOTOR |     |       |
|------------|------------|-------------|-----------|------|------|------|------|------|------|-------|-------|-------|------|------|------|------|-------|-----|-------|
|            |            |             |           |      |      |      |      |      |      |       |       |       |      |      |      |      | RPM   | PH  | FRAME |
| B2XPKS     | Mechanical | 2"          | 2" NPT    | 4.75 | 2.63 | 5.37 | 3.88 | 1.66 | 5.38 | 6.10  | 11.33 | 18.37 | 5.12 | 6.00 | 0.44 | 1.5  | 3600  | 1   | 56J   |
|            | Mechanical | 2"          | 2" NPT    | 4.75 | 2.63 | 5.37 | 3.88 | 1.66 | 5.38 | 6.10  | 10.68 | 17.72 | 5.12 | 6.00 | 0.44 | 2    | 3600  | 1   | 56J   |
|            | Mechanical | 2"          | 2" NPT    | 4.75 | 2.63 | 5.37 | 3.88 | 1.66 | 5.38 | 6.10  | 10.48 | 17.52 | 5.12 | 6.00 | 0.44 | 3    | 3600  | 1   | 56J   |
|            | Mechanical | 2"          | 2" NPT    | 4.75 | 2.63 | 5.37 | 3.88 | 1.66 | 5.38 | 6.10  | 12.23 | 19.27 | 5.12 | 6.00 | 0.44 | 1.5  | 3600  | 3   | 56J   |
|            | Mechanical | 2"          | 2" NPT    | 4.75 | 2.63 | 5.37 | 3.88 | 1.66 | 5.38 | 6.10  | 13.11 | 20.15 | 5.12 | 6.00 | 0.44 | 2    | 3600  | 3   | 56J   |
| Mechanical | 2"         | 2" NPT      | 4.75      | 2.63 | 5.37 | 3.88 | 1.66 | 5.38 | 6.10 | 10.22 | 17.26 | 5.12  | 6.00 | 0.44 | 3    | 3600 | 3     | 56J |       |

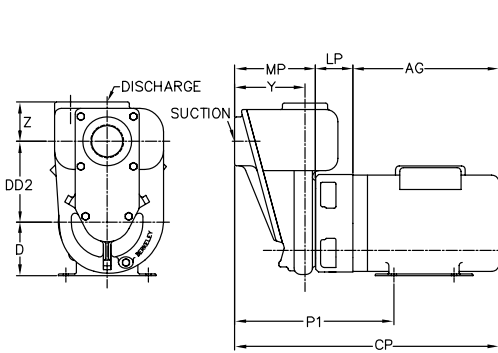


FIGURE 2

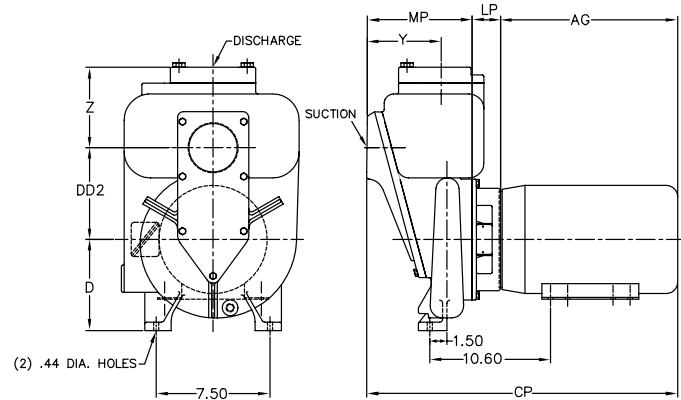
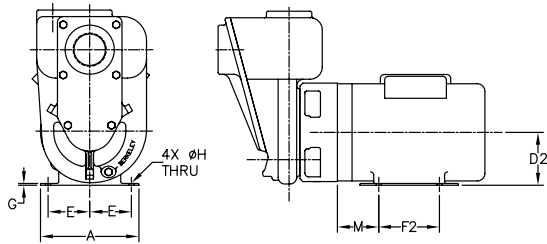


FIGURE 3

| PUMP MODEL | SHAFT SEAL | NPT SUCTION    | DISCHARGE      | FIGURE | FRAME GROUP* | Y    | Z    | DD2  | D    | LP   | MP    | P1    | AG    | CP    |
|------------|------------|----------------|----------------|--------|--------------|------|------|------|------|------|-------|-------|-------|-------|
| B3TPKS     | Mechanical | 3"             | 3" NPT         | 2      | C-1          | 6.91 | 2.59 | 7.97 | 5.25 | 2.50 | 8.98  | 15.73 | 14.42 | 25.90 |
|            | Mechanical | 3"             | 3" NPT         | 2      | C-1          | 6.91 | 2.59 | 7.97 | 5.25 | 2.50 | 8.98  | 15.73 | 14.06 | 25.54 |
|            | Mechanical | 3"             | 3" NPT         | 2      | C-1          | 6.91 | 2.59 | 7.97 | 5.25 | 2.50 | 8.98  | 15.73 | 15.56 | 27.04 |
|            | Mechanical | 3"             | 3" NPT         | 2      | C-1          | 6.91 | 2.59 | 7.97 | 3.50 | 2.50 | 8.98  | 14.23 | 10.37 | 21.85 |
|            | Mechanical | 3"             | 3" NPT         | 2      | C-1          | 6.91 | 2.59 | 7.97 | 4.50 | 2.50 | 8.98  | 6.00  | 11.84 | 23.32 |
|            | Mechanical | 3"             | 3" NPT         | 2      | C-1          | 6.91 | 2.59 | 7.97 | 4.50 | 2.50 | 8.98  | 14.98 | 13.34 | 24.82 |
|            | Mechanical | 3"             | 3" NPT         | 2      | C-1          | 6.91 | 2.59 | 7.97 | 3.50 | 2.50 | 8.98  | 14.36 | 9.37  | 20.85 |
|            | Mechanical | 3"             | 3" NPT         | 2      | C-1          | 6.91 | 2.59 | 7.97 | 3.50 | 2.50 | 8.98  | 14.36 | 9.87  | 21.35 |
| B4TPKLS    | Mechanical | 4"             | 3.00 125# ANSI | 2      | C-1          | 7.66 | 3.47 | 6.75 | 4.50 | 2.50 | 10.10 | 16.10 | 13.34 | 25.94 |
|            | Mechanical | 4"             | 3.00 125# ANSI | 2      | C-1          | 7.66 | 3.47 | 6.75 | 4.50 | 2.50 | 10.10 | 16.22 | 11.23 | 23.83 |
| B4TPKHS    | Mechanical | 4"             | 3.00 125# ANSI | 2      | C-1          | 7.66 | 3.47 | 6.75 | 5.25 | 2.50 | 10.10 | 16.85 | 13.69 | 26.29 |
|            | Mechanical | 4"             | 3.00 125# ANSI | 2      | C-1          | 7.66 | 3.47 | 6.75 | 4.50 | 2.50 | 10.10 | 16.22 | 12.23 | 24.83 |
| B4ZPKS     | Mechanical | 4"             | 3.00 125# ANSI | 3      | C-1          | 7.17 | 5.60 | 6.75 | 8.00 | 2.38 | 9.28  | 15.91 | 13.69 | 25.35 |
|            | Mechanical | 4"             | 3.00 125# ANSI | 3      | C-1          | 7.17 | 5.60 | 6.75 | 8.00 | 2.38 | 9.28  | 15.91 | 11.17 | 22.83 |
|            | Mechanical | 4"             | 3.00 125# ANSI | 3      | C-1          | 7.17 | 5.60 | 6.75 | 8.00 | 2.38 | 9.28  | 15.91 | 14.76 | 26.42 |
|            | Mechanical | 4"             | 3.00 125# ANSI | 3      | C-1          | 7.17 | 5.60 | 6.75 | 8.00 | 2.38 | 9.28  | 15.28 | 12.23 | 23.89 |
|            | Mechanical | 4"             | 3.00 125# ANSI | 3      | C-1          | 7.17 | 5.60 | 6.75 | 8.00 | 2.38 | 9.28  | 15.91 | 14.06 | 25.72 |
| Mechanical | 4"         | 3.00 125# ANSI | 3              | C-1    | 7.17         | 5.60 | 6.75 | 8.00 | 2.38 | 9.28 | 15.91 | 15.56 | 27.22 |       |

\*Refer to page 7 for electric motor dimensions.

# Electric Motor Dimensions



## Single Phase – NEMA “C” Face Type Motors, Drip Proof Close Coupled

| HORSEPOWER |          |          | TCZ, JM, and JP FRAMES |
|------------|----------|----------|------------------------|
| 1200 RPM   | 1800 RPM | 3600 RPM |                        |
| NA         | 1        | 1.5      | 143                    |
| NA         | 1.5      | 2        | 145                    |
| 1          | 2        | 3        | 182                    |
| 1.5        | 3        | 5        | 184                    |
| 2          | 5        | 7.5      | 213                    |
| 3          | 7.5 & 10 | 10       | 215                    |

## Three Phase

| HORSEPOWER |          |          | TCZ, JM, and JP FRAMES |
|------------|----------|----------|------------------------|
| 1200 RPM   | 1800 RPM | 3600 RPM |                        |
| NA         | 1        | 1.5      | 143                    |
| NA         | 1.5      | 2        | 145                    |
| 1          | 2        | 3        | 145                    |
| 1.5        | 3        | 5        | 182                    |
| 2          | 5        | 7.5      | 184                    |
| 3          | 7.5      | 10       | 213                    |
| 5          | 10       | 15       | 215                    |
| 7.5        | 15       | 20       | 254                    |
| 10         | 20       | 25       | 256                    |
| 20         | 25       | 30       | 284                    |
| 25         | 30       | 40       | 286                    |
| 30         | 40       | 50       | 324                    |
| 40         | 50       | 60       | 326                    |
| 50         | 60       | 75       | 364 TY                 |
| NA         | 75       | 100      | 365 TY                 |
| NA         | 100      | 125      | 404 TY                 |
| NA         | 125      | 150      | 405 TY                 |
| NA         | 150      | NA       | 444 TY                 |

### All dimensions shown in inches

| FRAME SIZE      | FRAME GROUP | A     | D2    | E    | F2    | G    | H    | M    |
|-----------------|-------------|-------|-------|------|-------|------|------|------|
| 143 TCZ & JP/JM | C-1         | 7.00  | 3.50  | 2.75 | 4.00  | 0.25 | 0.34 | 2.75 |
| 145 TCZ & JP/JM |             | 7.00  | 3.50  | 2.75 | 5.00  | 0.25 | 0.34 | 2.75 |
| 182 JP/JM       |             | 9.00  | 4.50  | 3.75 | 4.50  | 0.44 | 0.41 | 3.38 |
| 182 TCZ         |             | 9.00  | 4.50  | 3.75 | 4.50  | 0.44 | 0.41 | 3.38 |
| 184 JP/JM       |             | 9.00  | 4.50  | 3.75 | 5.50  | 0.44 | 0.41 | 3.38 |
| 184 TCZ         |             | 9.00  | 4.50  | 3.75 | 5.50  | 0.44 | 0.41 | 3.38 |
| 213 JP/JM       |             | 10.50 | 5.25  | 4.25 | 5.50  | 0.50 | 0.41 | 4.25 |
| 213 TCZ         |             | 10.50 | 5.25  | 4.25 | 5.50  | 0.50 | 0.41 | 4.25 |
| 215 JP/JM       |             | 10.50 | 5.25  | 4.25 | 7.00  | 0.50 | 0.41 | 4.25 |
| 215 TCZ         |             | 10.50 | 5.25  | 4.25 | 7.00  | 0.50 | 0.41 | 4.25 |
| 254 TCZ & JP/JM | C-2         | 12.38 | 6.25  | 5.00 | 8.25  | 0.75 | 0.53 | 4.75 |
| 256 TCZ         |             | 12.38 | 6.25  | 5.00 | 10.00 | 0.75 | 0.53 | 4.75 |
| 284 JP/JM       |             | 13.88 | 7.00  | 5.50 | 9.50  | 0.75 | 0.53 | 4.75 |
| 284 TCZ         |             | 13.88 | 7.00  | 5.50 | 9.50  | 0.75 | 0.53 | 4.75 |
| 286 JP/JM       |             | 13.88 | 7.00  | 5.50 | 11.00 | 0.75 | 0.53 | 4.75 |
| 286 TCZ         |             | 13.88 | 7.00  | 5.50 | 11.00 | 0.75 | 0.53 | 4.75 |
| 324 TCZ & JP/JM | C-3         | 15.88 | 8.00  | 6.25 | 10.50 | 0.88 | 0.66 | 5.25 |
| 326 TCZ & JP/JM |             | 15.88 | 8.00  | 6.25 | 12.00 | 0.88 | 0.66 | 5.25 |
| 364 JP          | C-3         | 17.75 | 9.00  | 7.00 | 11.25 | 1.00 | 0.66 | 5.88 |
| 364 TY          |             | 17.75 | 9.00  | 7.00 | 11.25 | 1.00 | 0.66 | 6.88 |
| 365 JP          |             | 17.75 | 9.00  | 7.00 | 12.25 | 1.00 | 0.66 | 5.88 |
| 365 TY          |             | 17.75 | 9.00  | 7.00 | 12.75 | 1.00 | 0.66 | 6.88 |
| 404 TY          |             | 19.75 | 10.00 | 8.00 | 12.25 | 1.13 | 0.81 | 7.63 |
| 405 TY          |             | 19.75 | 10.00 | 8.00 | 13.75 | 1.13 | 0.81 | 7.63 |
| 444 TY          | C-4         | 21.75 | 11.00 | 9.00 | 14.50 | 1.38 | 0.81 | 7.50 |
| 445 TY          |             | 21.75 | 11.00 | 9.00 | 16.50 | 1.38 | 0.81 | 7.50 |

Note: Frame sizes 143 TC and 145 TCZ, 254 TC and 256 TC, 324 TC and 326 TC, are interchangeable with JP frames. All other frame sizes are not interchangeable.



293 WRIGHT STREET, DELAVAN, WI 53115 WWW.BERKELEYPUMPS.COM  
PH: 888-237-5353 ORDERS FAX: 800-321-8793

Because we are continuously improving our products and services, Pentair reserves the right to change specifications without prior notice.

© 2012 Pentair Ltd. All Rights Reserved.

B2229BK (12-12-12)