

BERKELEY® B1WP

Bronze Impeller

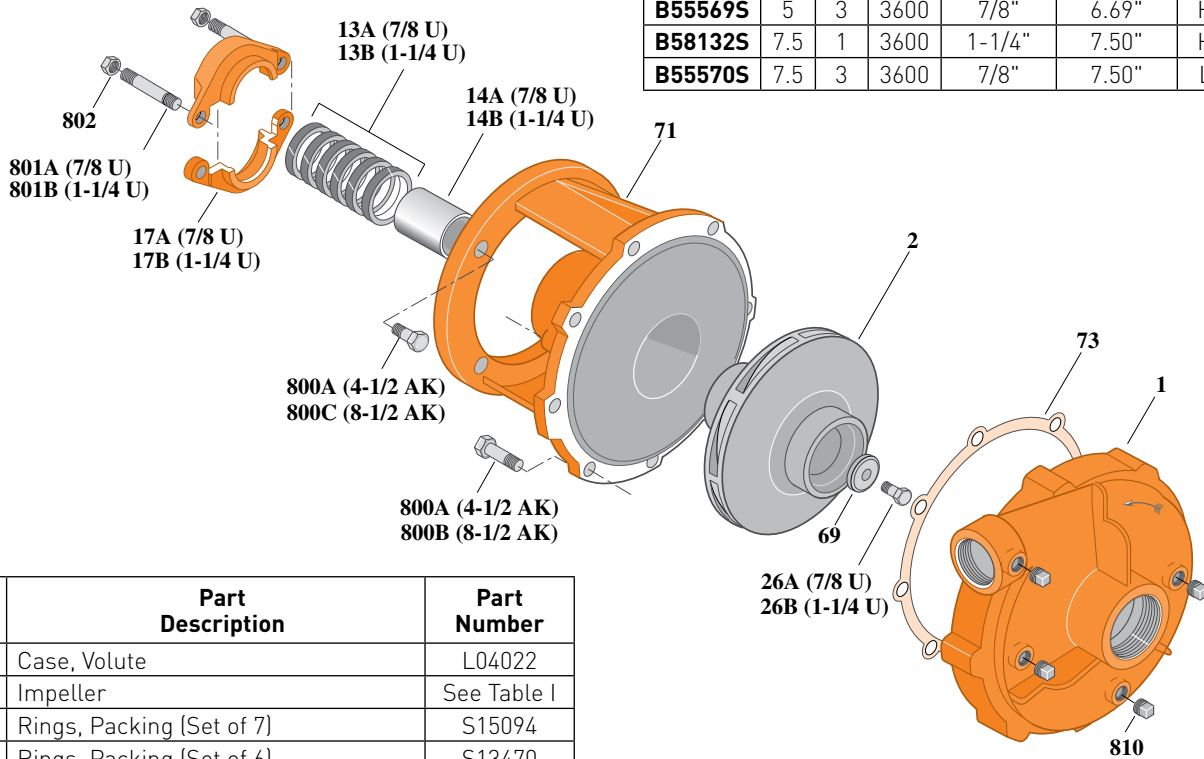
Threaded Case (NPT), Packing Construction

ELECTRIC MOTOR DRIVE

Section	CC
Page	10.1.1
Date	March 4, 2013
Supersedes 01/01/04	

Table I

B/M No.	HP	PH	RPM	"U" Dim.	Imp. Dia.	Imp. No.
B55567S	3	1	3600	7/8"	5.75"	H05454
B53697S	3	3	3600	7/8"	5.75"	H05454
B55568S	5	1	3600	7/8"	6.69"	H05455
B55569S	5	3	3600	7/8"	6.69"	H05455
B58132S	7.5	1	3600	1-1/4"	7.50"	H05457
B55570S	7.5	3	3600	7/8"	7.50"	L07923



1789 0595

Item No.	Part Description	Part Number
1	Case, Volute	L04022
2	Impeller	See Table I
13A	Rings, Packing [Set of 7]	S15094
13B	Rings, Packing [Set of 6]	S13470
14A	Sleeve, Shaft [2 Req.]	S00619
14B	Sleeve, Shaft	S05149
17A	Gland, Packing	B82469
17B	Gland, Packing	B82470
26A	Screw, Impeller 3/8 - 16 x 1"	S23566
26B	Screw, Impeller 1/2 - 13 x 1-1/4"	S23621
32	Key, 3/16 x 1-1/4" [See Note]	S34383
69	Washer, Impeller	S16239
71	Bracket	See Table II
73	Gasket, Volute	S05126
800A	Capscrew, 3/8 - 16 x 1" [12 Req.]	S26826
800B	Capscrew, 3/8 - 16 x 1-1/8" [8 Req.]	S26827
800C	Capscrew, 1/2 - 13 x 1-1/2" [4 Req.]	S26916
801A	Stud, 3/8 - 16 x 3" [2 Req.]	S04439
801B	Stud, 3/8 - 16 x 4" [2 Req.]	S08303
802	Nut, Hex 3/8 - 16 [2 Req.]	S23343
810	Plug, Pipe 1/4 NPT [4 Req.]	S23715

Table II

HP	PH	Bracket No.	"AK" Fit	"U" Dim.	Motor Frame
3	1	H00950	4-1/2"	7/8"	182JP
3	3	H00950	4-1/2"	7/8"	154JP
5	1	H00950	4-1/2"	7/8"	184JP
5	3	H00950	4-1/2"	7/8"	182JP
7.5	1	L03827	8-1/2"	1-1/4"	213JP
7.5	3	H00950	4-1/2"	7/8"	184JP

NOTE: For an explanation of the tabulated material found on this page and for impeller key location, refer to **Supplement A** located at the beginning of this section.



BERKELEY® B1WP

Bronze Impeller

Threaded Case (NPT), Packing Construction

ELECTRIC MOTOR DRIVE

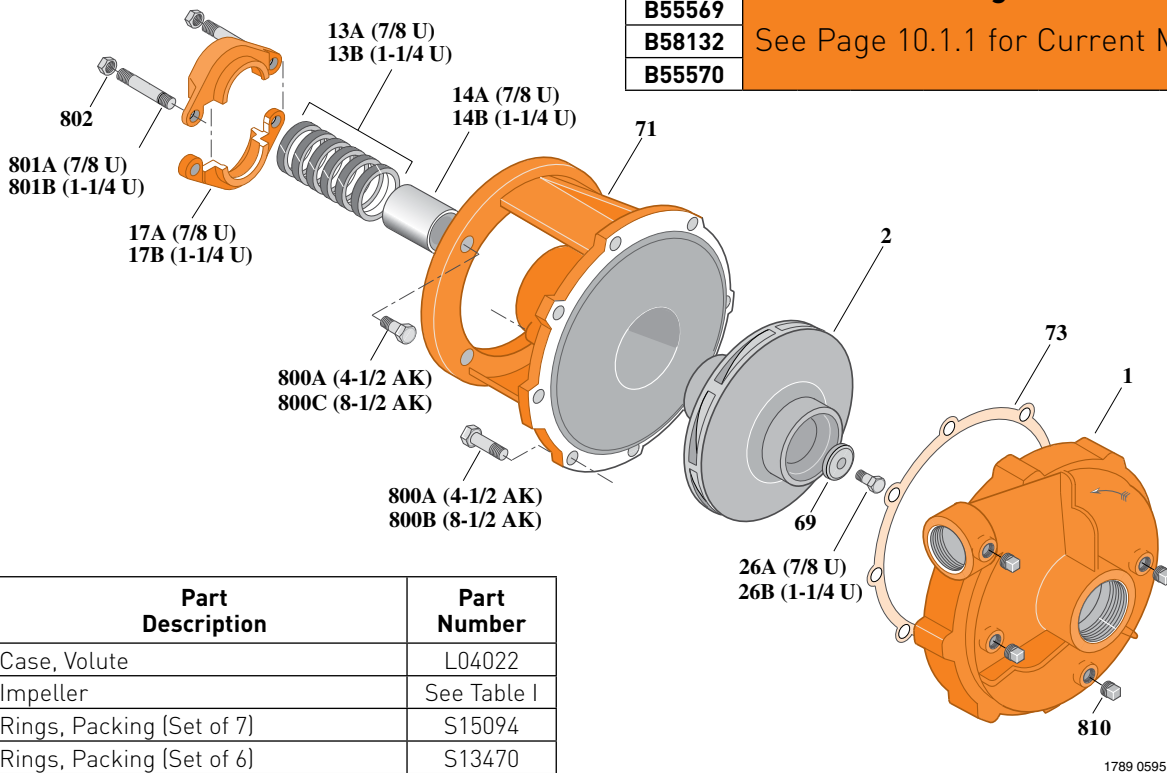
Section	CC
Page	10.1
Date	March 4, 2013
Supersedes 01/01/04	

Table I

B/M No.	HP	PH	RPM	"U" Dim.	Imp. Dia.	Imp. No.
B55567						
B53697						
B55568						
B55569						
B58132						
B55570						

**These B/M Numbers
Are No Longer Available.**

See Page 10.1.1 for Current Models.



Item No.	Part Description	Part Number
1	Case, Volute	L04022
2	Impeller	See Table I
13A	Rings, Packing [Set of 7]	S15094
13B	Rings, Packing [Set of 6]	S13470
14A	Sleeve, Shaft [2 Req.]	S00619
14B	Sleeve, Shaft	S05149
17A	Gland, Packing	B82469
17B	Gland, Packing	B82470
26A	Screw, Impeller 3/8 - 16 x 1"	S23566
26B	Screw, Impeller 1/2 - 13 x 1-1/4"	S23621
32	Key, 3/16 x 1-1/4" [See Note]	S34383
69	Washer, Impeller	S16239
71	Bracket	See Table II
73	Gasket, Volute	S05126
800A	Capscrew, 3/8 - 16 x 1" [12 Req.]	S26826
800B	Capscrew, 3/8 - 16 x 1-1/8" [8 Req.]	S26827
800C	Capscrew, 1/2 - 13 x 1-1/2" [4 Req.]	S26916
801A	Stud, 3/8 - 16 x 3" [2 Req.]	S04439
801B	Stud, 3/8 - 16 x 4" [2 Req.]	S08303
802	Nut, Hex 3/8 - 16 [2 Req.]	S23343
810	Plug, Pipe 1/4 NPT [4 Req.]	S23715

Table II

HP	PH	Bracket No.	"AK" Fit	"U" Dim.	Motor Frame
3	1	H00950	4-1/2"	7/8"	182JP
3	3	H00950	4-1/2"	7/8"	154JP
5	1	H00950	4-1/2"	7/8"	184JP
5	3	H00950	4-1/2"	7/8"	182JP
7.5	1	L03827	8-1/2"	1-1/4"	213JP
7.5	3	H00950	4-1/2"	7/8"	184JP

NOTE: For an explanation of the tabulated material found on this page and for impeller key location, refer to **Supplement A** located at the beginning of this section.

BERKELEY® B1WPS Bronze Impeller

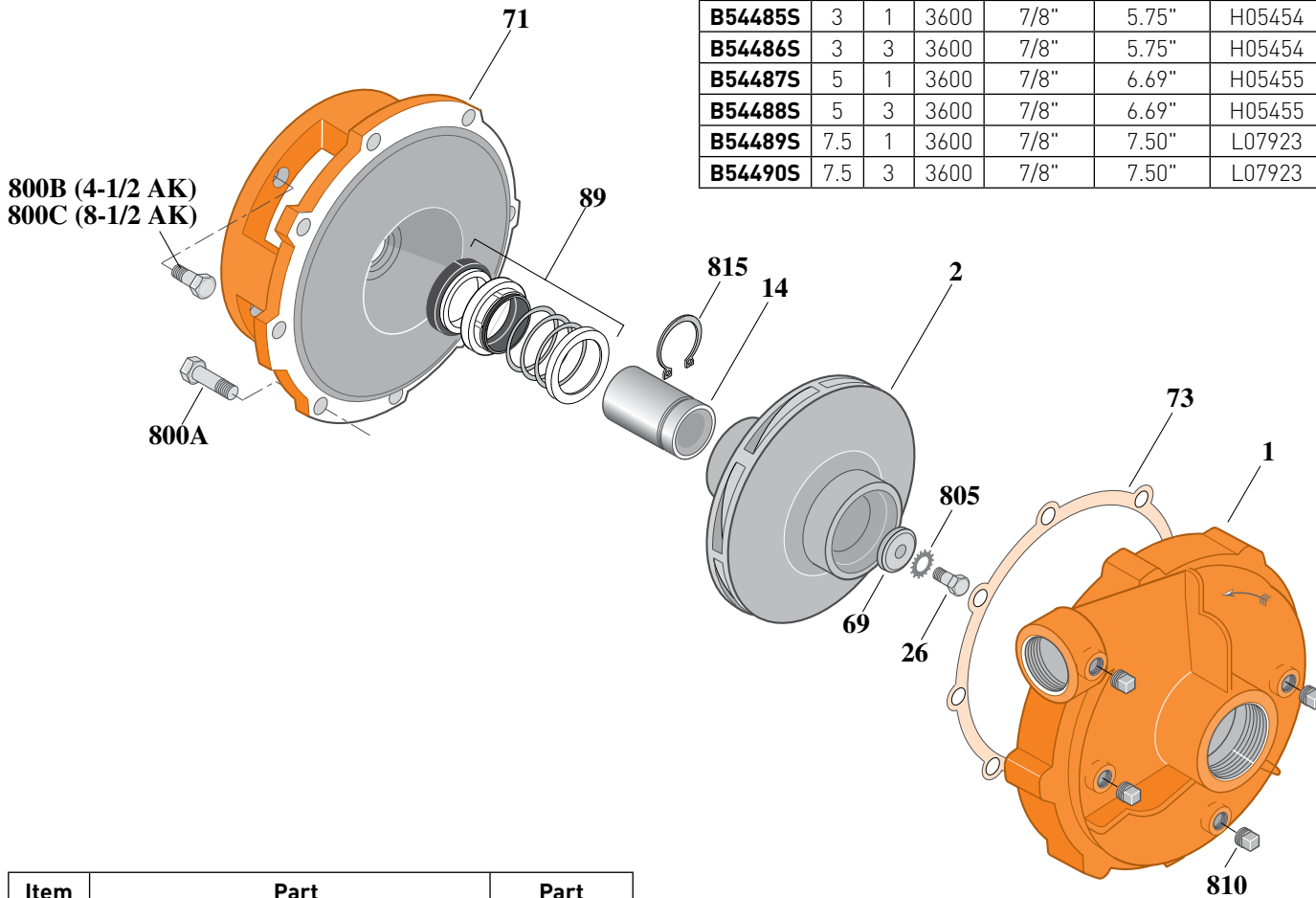
Threaded Case (NPT), Mechanical Shaft Seal Construction

ELECTRIC MOTOR DRIVE

Section	CC
Page	10.2.1
Date	March 4, 2013
Supersedes 01/01/04	

Table I

B/M No.	HP	PH	RPM	"U" Dim.	Imp. Dia.	Imp. No.
B54485S	3	1	3600	7/8"	5.75"	H05454
B54486S	3	3	3600	7/8"	5.75"	H05454
B54487S	5	1	3600	7/8"	6.69"	H05455
B54488S	5	3	3600	7/8"	6.69"	H05455
B54489S	7.5	1	3600	7/8"	7.50"	L07923
B54490S	7.5	3	3600	7/8"	7.50"	L07923



1710 0295 A

Item No.	Part Description	Part Number
1	Case, Volute	L04022
2	Impeller	See Table I
14	Sleeve, Shaft	S19310L
26	Screw, Impeller 3/8 - 16 x 1"	S23566
32	Key, 3/16 x 1-1/4" [See Note]	S34383
69	Washer, Impeller	S16239
71	Bracket	See Table II
73	Gasket, Volute	S05126
89	Seal, Mechanical Shaft	S32014
800A	Capscrew, 3/8 - 16 x 1" [8 Req.]	S26826
800B	Capscrew, 3/8 - 16 x 7/8" [4 Req.]	S26825
800C	Capscrew, 1/2 - 13 x 1" [4 Req.]	S26192
810	Plug, Pipe 1/4 NPT [4 Req.]	S23715
815	Ring, Retaining	S11207

Table II

HP	PH	Bracket No.	"AK" Fit	"U" Dim.	Motor Frame
3	1	L05332	4-1/2"	7/8"	182JM
3	3	L05332	4-1/2"	7/8"	154JM
5	1	L05332	4-1/2"	7/8"	184JM
5	3	L05332	4-1/2"	7/8"	182JM
7.5	1	L05331	8-1/2"	7/8"	213JM
7.5	3	L05332	4-1/2"	7/8"	184JM

NOTE: For an explanation of the tabulated material found on this page and for impeller key location, refer to **Supplement A** located at the beginning of this section.



BERKELEY® B1WPS Bronze Impeller

Threaded Case (NPT), Mechanical Shaft Seal Construction

ELECTRIC MOTOR DRIVE

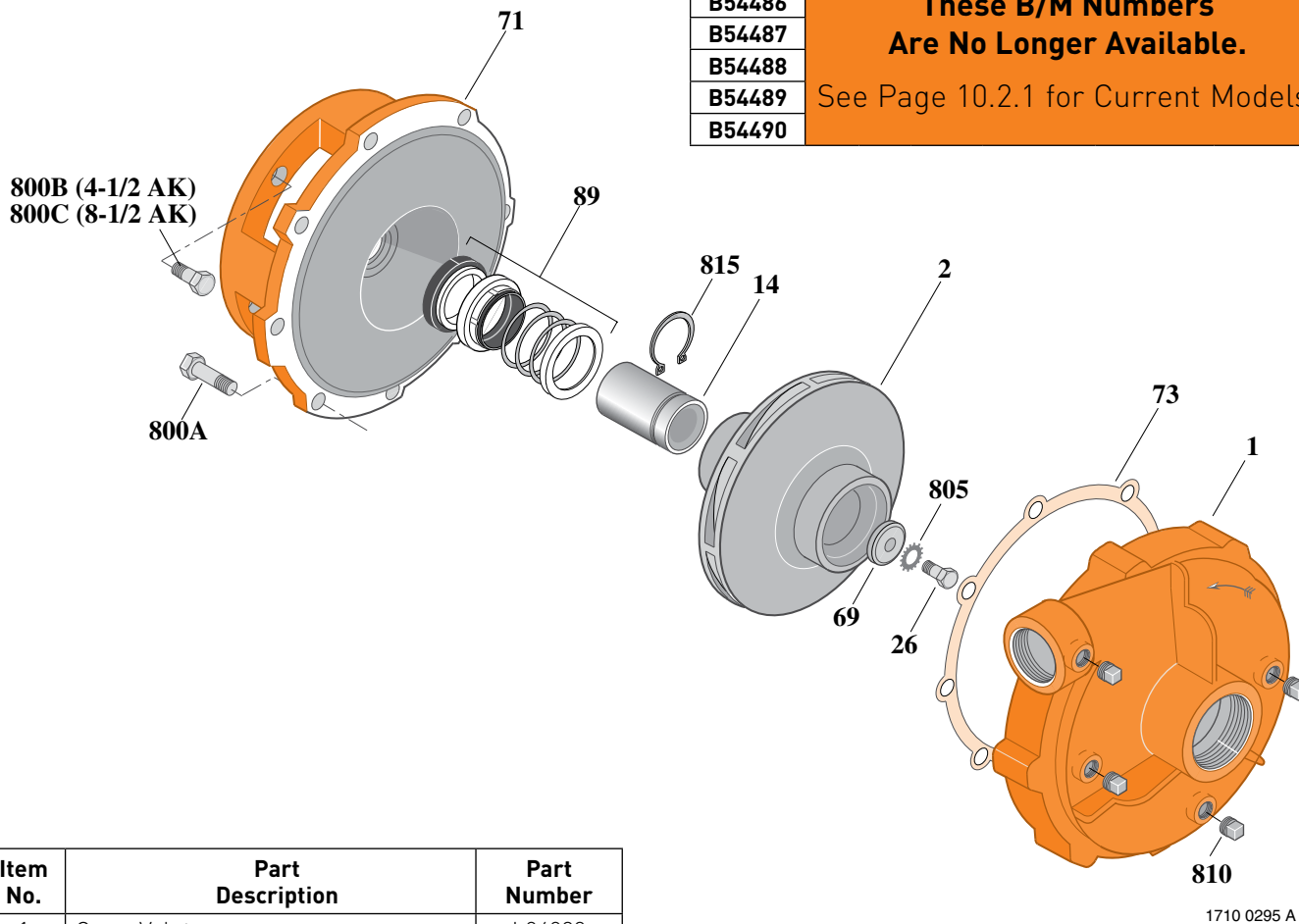
Section	CC
Page	10.2
Date	March 4, 2013
Supersedes 01/01/04	

Table I

B/M No.	HP	PH	RPM	"U" Dim.	Imp. Dia.	Imp. No.
B54485						
B54486						
B54487						
B54488						
B54489						
B54490						

**These B/M Numbers
Are No Longer Available.**

See Page 10.2.1 for Current Models.



Item No.	Part Description	Part Number
1	Case, Volute	L04022
2	Impeller	See Table I
14	Sleeve, Shaft	S19310L
26	Screw, Impeller 3/8 - 16 x 1"	S23566
32	Key, 3/16 x 1-1/4" (See Note)	S34383
69	Washer, Impeller	S16239
71	Bracket	See Table II
73	Gasket, Volute	S05126
89	Seal, Mechanical Shaft	S32014
800A	Capscrew, 3/8 - 16 x 1" [8 Req.]	S26826
800B	Capscrew, 3/8 - 16 x 7/8" [4 Req.]	S26825
800C	Capscrew, 1/2 - 13 x 1" [4 Req.]	S26192
810	Plug, Pipe 1/4 NPT [4 Req.]	S23715
815	Ring, Retaining	S11207

Table II

HP	PH	Bracket No.	"AK" Fit	"U" Dim.	Motor Frame
3	1	L05332	4-1/2"	7/8"	182JM
3	3	L05332	4-1/2"	7/8"	154JM
5	1	L05332	4-1/2"	7/8"	184JM
5	3	L05332	4-1/2"	7/8"	182JM
7.5	1	L05331	8-1/2"	7/8"	213JM
7.5	3	L05332	4-1/2"	7/8"	184JM

NOTE: For an explanation of the tabulated material found on this page and for impeller key location, refer to **Supplement A** located at the beginning of this section.

BERKELEY® B1WP

Silicon Bronze Impeller

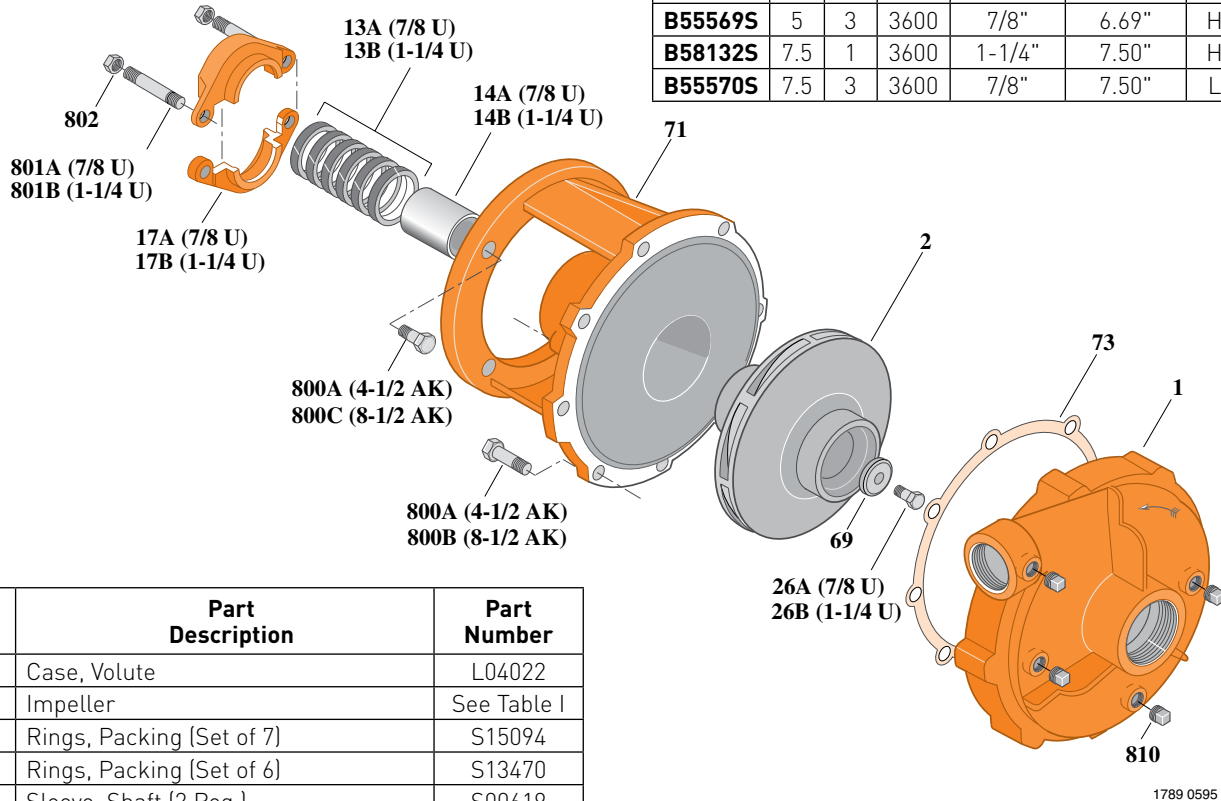
Threaded Case (NPT), Packing Construction

ELECTRIC MOTOR DRIVE

Section	CC
Page	10.3
Date	March 4, 2013
Supersedes 10/01/95	

Table I

B/M No.	HP	PH	RPM	"U" Dim.	Imp. Dia.	Imp. No.
B55567S	3	1	3600	7/8"	5.75"	H05454
B53697S	3	3	3600	7/8"	5.75"	H05454
B55568S	5	1	3600	7/8"	6.69"	H05455
B55569S	5	3	3600	7/8"	6.69"	H05455
B58132S	7.5	1	3600	1-1/4"	7.50"	H05457
B55570S	7.5	3	3600	7/8"	7.50"	L07923



Item No.	Part Description	Part Number
1	Case, Volute	L04022
2	Impeller	See Table I
13A	Rings, Packing [Set of 7]	S15094
13B	Rings, Packing [Set of 6]	S13470
14A	Sleeve, Shaft [2 Req.]	S00619
14B	Sleeve, Shaft	S05149
17A	Gland, Packing	S00393
17B	Gland, Packing	S12034
26A	Screw, Impeller 3/8 - 16 x 1"	S23566
26B	Screw, Impeller 1/2 - 13 x 1-1/4"	S23621
32	Key, 3/16 x 1-1/4" [See Note]	S34383
69	Washer, Impeller	S16239
71	Bracket	See Table II
73	Gasket, Volute	S05126
800A	Capscrew, 3/8 - 16 x 1" [12 Req.]	S26826
800B	Capscrew, 3/8 - 16 x 1" [8 Req.]	S26826
800C	Capscrew, 1/2 - 13 x 1-1/2" [4 Req.]	S26916
801A	Stud, 3/8 - 16 x 3" [2 Req.]	S004439
801B	Stud, 3/8 - 16 x 4" [2 Req.]	S08303
802	Nut, Hex 3/8 - 16 [2 Req.]	S23343
810	Plug, Pipe 1/4 NPT [4 Req.]	S23715

Table II

HP	PH	Bracket No.	"AK" Fit	"U" Dim.	Motor Frame
3	1	H00950	4-1/2"	7/8"	182JP
3	3	H00950	4-1/2"	7/8"	154JP
5	1	H00950	4-1/2"	7/8"	184JP
5	3	H00950	4-1/2"	7/8"	182JP
7.5	1	L03827	8-1/2"	1-1/4"	213JP
7.5	3	H00950	4-1/2"	7/8"	184JP

NOTE: For an explanation of the tabulated material found on this page and for impeller key location, refer to **Supplement A** located at the beginning of this section.



BERKELEY® B1WPS Silicon Bronze Impeller

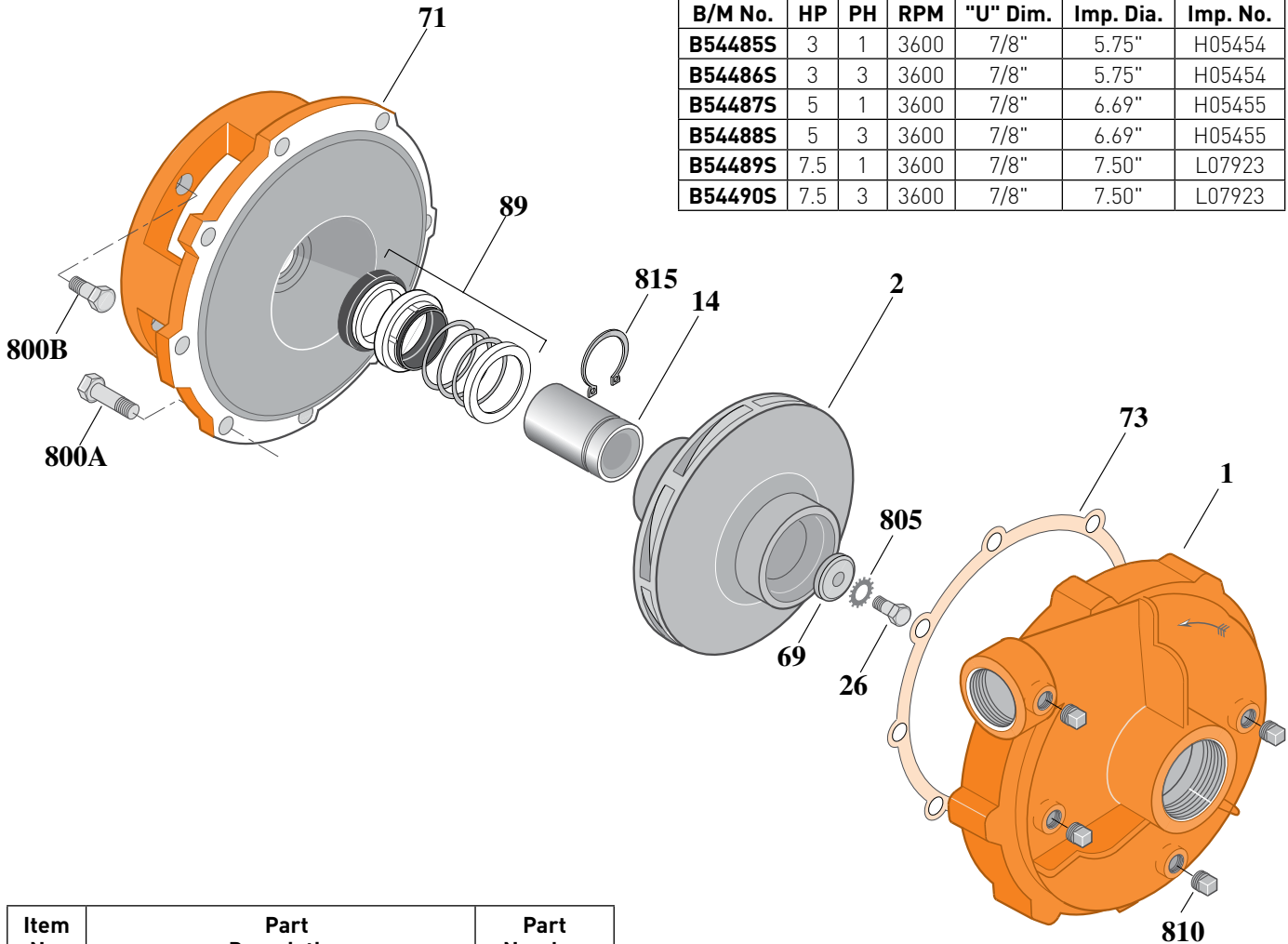
Threaded Case (NPT), Mechanical Shaft Seal Construction

ELECTRIC MOTOR DRIVE

Section	CC
Page	10.4
Date	March 4, 2013
Supersedes 09/01/95	

Table I

B/M No.	HP	PH	RPM	"U" Dim.	Imp. Dia.	Imp. No.
B54485S	3	1	3600	7/8"	5.75"	H05454
B54486S	3	3	3600	7/8"	5.75"	H05454
B54487S	5	1	3600	7/8"	6.69"	H05455
B54488S	5	3	3600	7/8"	6.69"	H05455
B54489S	7.5	1	3600	7/8"	7.50"	L07923
B54490S	7.5	3	3600	7/8"	7.50"	L07923



Item No.	Part Description	Part Number
1	Case, Volute	L04022
2	Impeller	See Table I
14	Sleeve, Shaft	S19310
26	Screw, Impeller 3/8 - 16 x 1"	S23566
32	Key, 3/16 x 1-1/4" (See Note)	S34383
69	Washer, Impeller	S16239
71	Bracket	See Table II
73	Gasket, Volute	S05126
89	Seal, Mechanical Shaft	S32014
800A	Capscrew, 3/8 - 16 x 1" (8 Req.)	S26826
800B	Capscrew, 3/8 - 16 x 7/8" (4 Req.)	S26825
810	Plug, Pipe 1/4 NPT (4 Req.)	S23715
815	Ring, Retaining	S11207

Table II

HP	PH	Bracket No.	"AK" Fit	"U" Dim.	Motor Frame
3	1	L05332	4-1/2"	7/8"	182JM
3	3	L05332	4-1/2"	7/8"	154JM
5	1	L05332	4-1/2"	7/8"	184JM
5	3	L05332	4-1/2"	7/8"	182JM
7.5	1	L05331	8-1/2"	7/8"	213JM
7.5	3	L05332	4-1/2"	7/8"	184JM

NOTE: For an explanation of the tabulated material found on this page and for impeller key location, refer to **Supplement A** located at the beginning of this section.

BERKELEY® B1-1/2TPL

Cast Iron Impeller

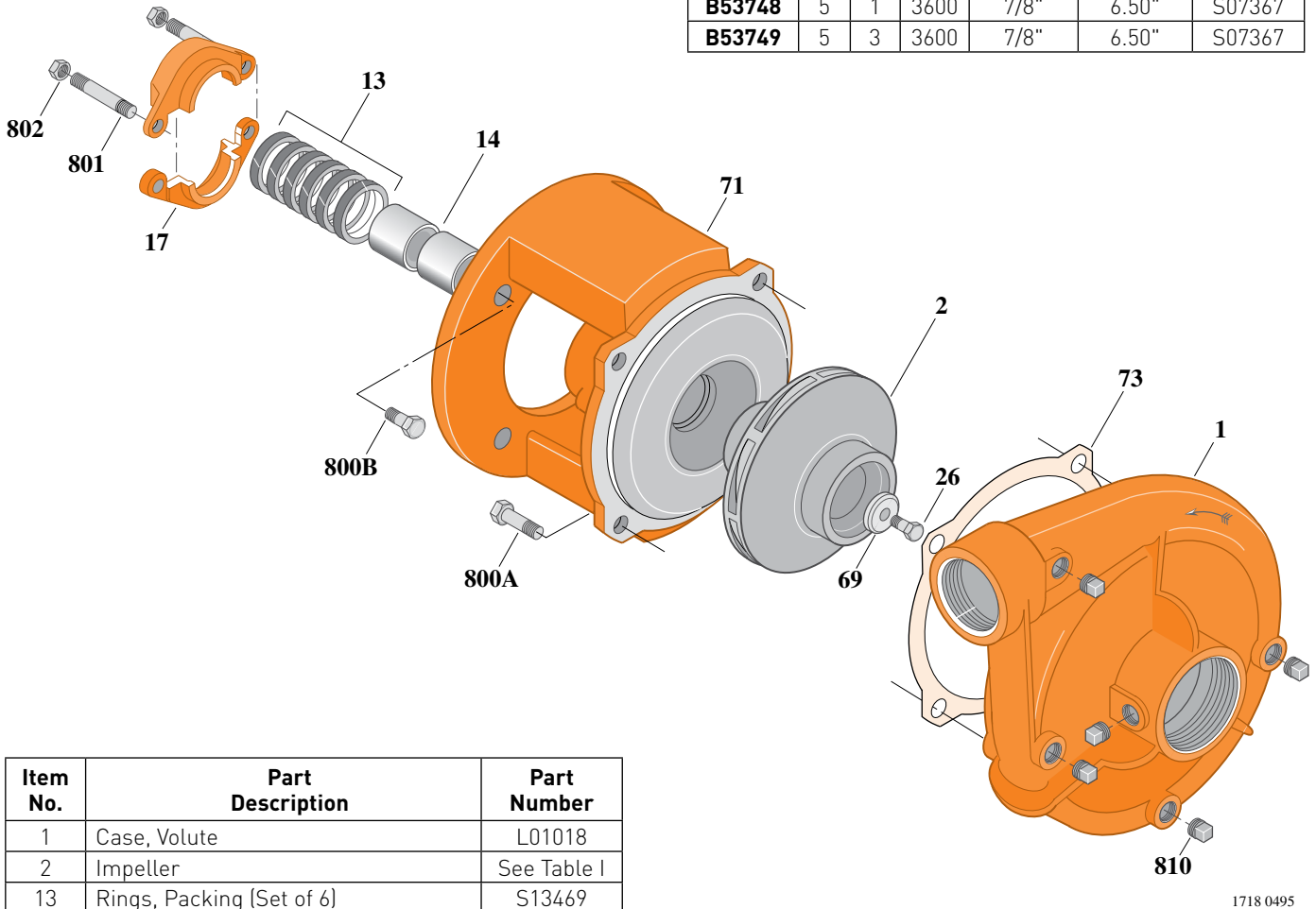
Threaded Case (NPT), Packing Construction

ELECTRIC MOTOR DRIVE

Section	CC
Page	20.1
Date	March 4, 2013
Supersedes 01/01/04	

Table I

B/M No.	HP	PH	RPM	"U" Dim.	Imp. Dia.	Imp. No.
B53747	3	1	3600	7/8"	6.00"	M06122
B51592	3	3	3600	7/8"	6.00"	M06122
B53748	5	1	3600	7/8"	6.50"	S07367
B53749	5	3	3600	7/8"	6.50"	S07367



1718 0495

Item No.	Part Description	Part Number
1	Case, Volute	L01018
2	Impeller	See Table I
13	Rings, Packing (Set of 6)	S13469
14	Sleeve, Shaft (2 Req.)	S00619
17	Gland, Packing	B82469
26	Screw, Impeller 3/8 - 16 x 1"	S23566
32	Key, 3/16 x 1-1/4" (See Note)	S34383
69	Washer, Impeller	S16239
71	Bracket	See Table II
73	Gasket, Volute	S04757
800A	Capscrew, 1/2 - 13 x 1" (4 Req.)	S26912
800B	Capscrew, 3/8 - 16 x 7/8" (4 Req.)	S26825
801	Stud, 3/8 - 16 x 4" (2 Req.)	S08303
802	Nut, Hex 3/8 - 16 (2 Req.)	S23343
810	Plug, Pipe 1/4 NPT (5 Req.)	S23715

Table II

HP	PH	Bracket No.	"AK" Fit	"U" Dim.	Motor Frame
3	1	L01525	4-1/2"	7/8"	182JP
3	3	L01525	4-1/2"	7/8"	145JP
5	1	L01525	4-1/2"	7/8"	184JP
5	3	L01525	4-1/2"	7/8"	182JP

NOTE: For an explanation of the tabulated material found on this page and for impeller key location, refer to **Supplement A** located at the beginning of this section.



BERKELEY® B1-1/2TPLS

Cast Iron Impeller

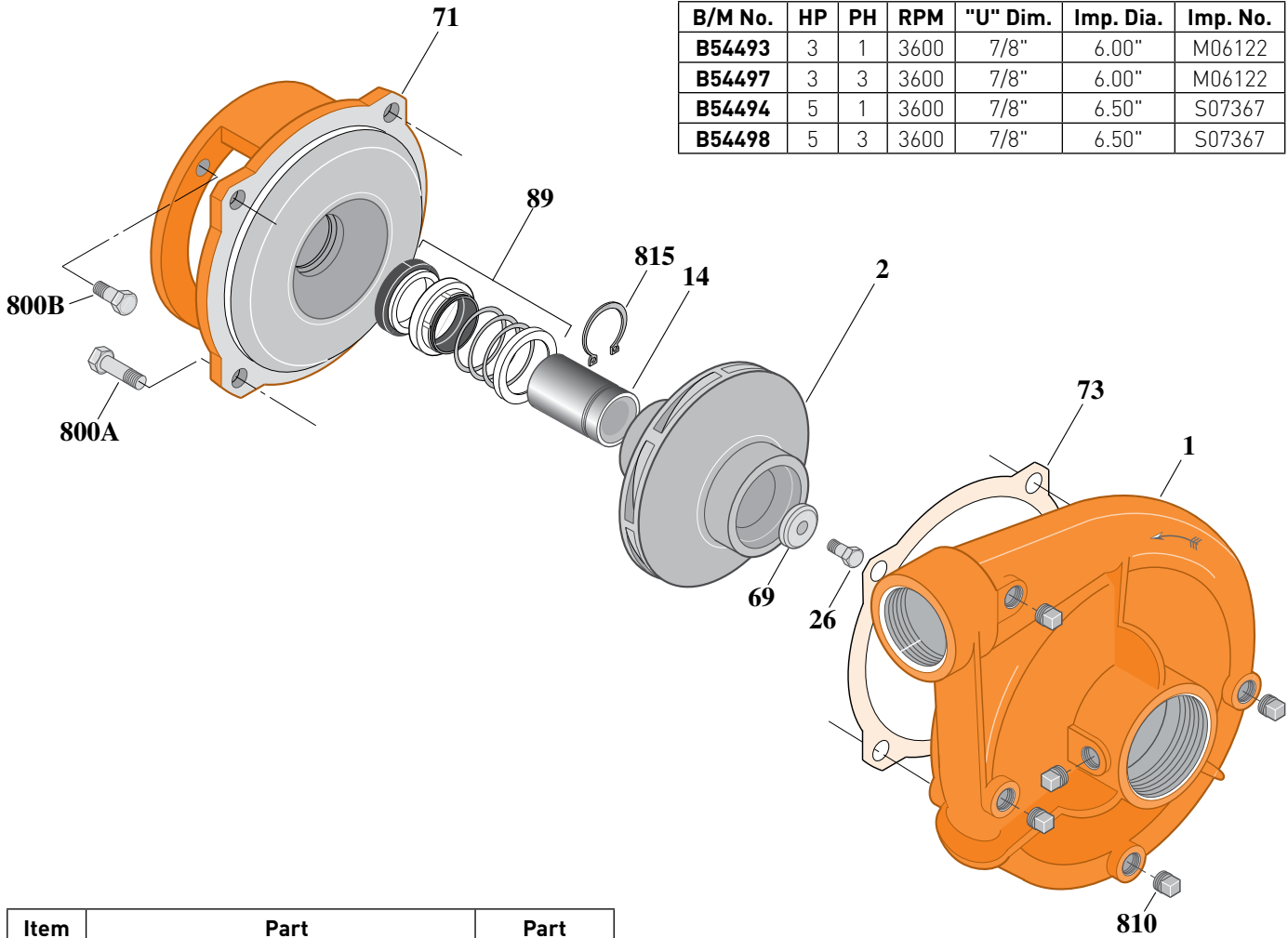
Threaded Case (NPT), Mechanical Shaft Seal Construction

ELECTRIC MOTOR DRIVE

Section	CC
Page	20.2
Date	March 4, 2013
Supersedes 01/01/04	

Table I

B/M No.	HP	PH	RPM	"U" Dim.	Imp. Dia.	Imp. No.
B54493	3	1	3600	7/8"	6.00"	M06122
B54497	3	3	3600	7/8"	6.00"	M06122
B54494	5	1	3600	7/8"	6.50"	S07367
B54498	5	3	3600	7/8"	6.50"	S07367



1479 0195

Item No.	Part Description	Part Number
1	Case, Volute	L01018
2	Impeller	See Table I
14	Sleeve, Shaft	S19310L
26	Screw, Impeller 3/8 - 16 x 1"	S23566
32	Key, 3/16 x 1-1/4" (See Note)	S34383
69	Washer, Impeller	S16239
71	Bracket	See Table II
73	Gasket, Case	S04757
89	Seal, Mechanical Shaft	S32014
800A	Capscrew, 1/2 - 13 x 1" (4 Req.)	S26912
800B	Capscrew, 3/8 - 16 x 1" (4 Req.)	S26826
810	Pipe Plug, 1/4 NPT (5 Req.)	S23715
815	Ring, Seal Retaining	S11207

Table II

HP	PH	Bracket No.	"AK" Fit	"U" Dim.	Motor Frame
3	1	L05329	4-1/2"	7/8"	182JM
3	3	L05329	4-1/2"	7/8"	145JM
5	1	L05329	4-1/2"	7/8"	184JM
5	3	L05329	4-1/2"	7/8"	182JM

NOTE: For an explanation of the tabulated material found on this page and for impeller key location, refer to **Supplement A** located at the beginning of this section.



BERKELEY® B1-1/2TPL

Bronze Impeller

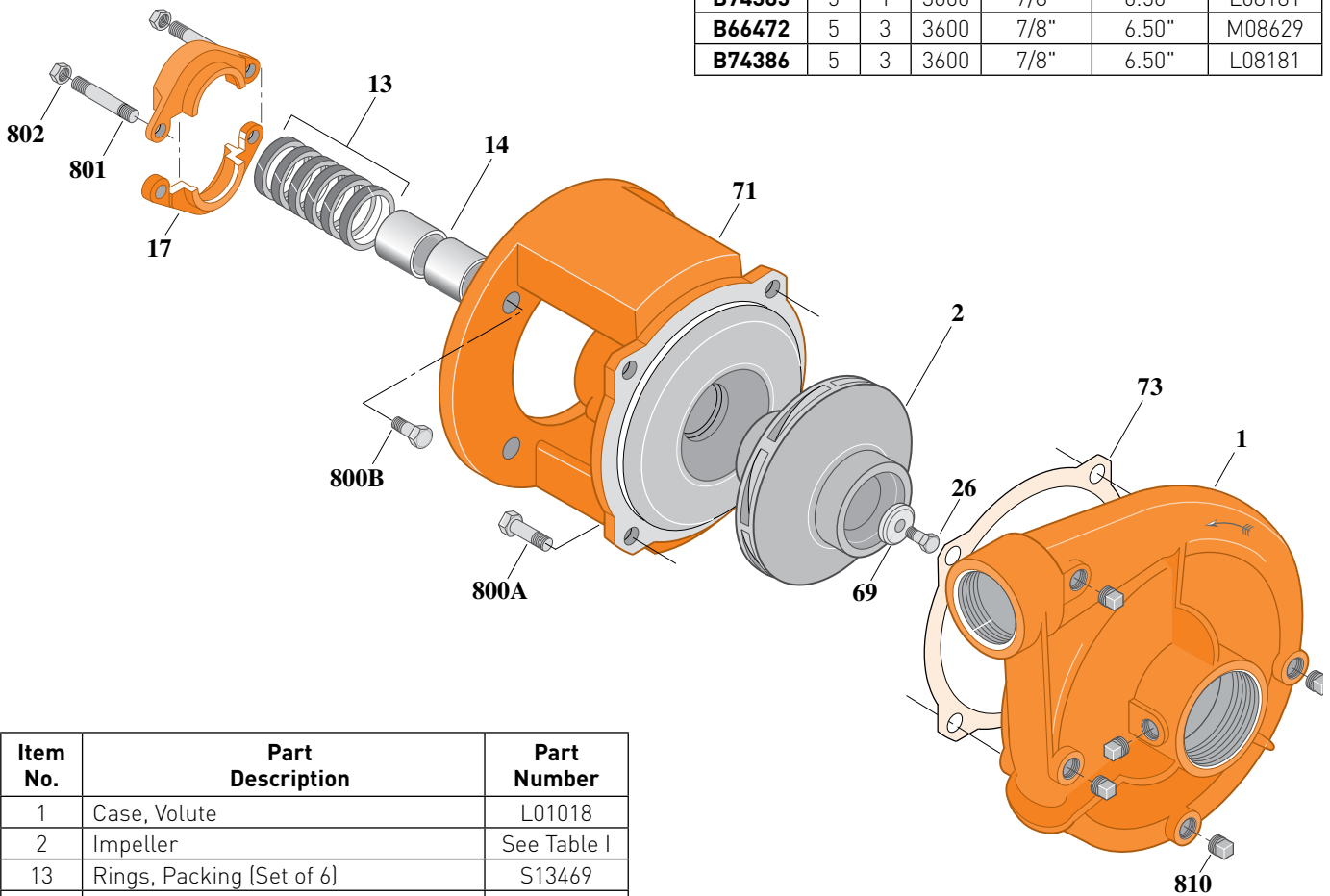
Threaded Case (NPT), Packing Construction

ELECTRIC MOTOR DRIVE

Section	CC
Page	20.3
Date	March 4, 2013
Supersedes 01/01/04	

Table I

B/M No.	HP	PH	RPM	"U" Dim.	Imp. Dia.	Imp. No.
B66467	3	1	3600	7/8"	6.00"	L06662
B66468	3	3	3600	7/8"	6.00"	L06662
B66471	5	1	3600	7/8"	6.50"	M08629
B74385	5	1	3600	7/8"	6.50"	L08181
B66472	5	3	3600	7/8"	6.50"	M08629
B74386	5	3	3600	7/8"	6.50"	L08181



Item No.	Part Description	Part Number
1	Case, Volute	L01018
2	Impeller	See Table I
13	Rings, Packing (Set of 6)	S13469
14	Sleeve, Shaft (2 Req.)	S00619
17	Gland, Packing	B82469
26	Screw, Impeller 3/8 - 16 x 1"	S23566
32	Key, 3/16 x 1-1/4" (See Note)	S34383
69	Washer, Impeller	S16239
71	Bracket	See Table II
73	Gasket, Volute	S04757
800A	Cap screw, 1/2 - 13 x 1" (4 Req.)	S26912
800B	Cap screw, 3/8 - 16 x 7/8" (4 Req.)	S26825
801	Stud, 3/8 - 16 x 4" (2 Req.)	S08303
802	Nut, Hex 3/8 - 16 (2 Req.)	S23343
810	Plug, Pipe 1/4 NPT (5 Req.)	S23715

Table II

HP	PH	Bracket No.	"AK" Fit	"U" Dim.	Motor Frame
3	1	L01525	4-1/2"	7/8"	182JP
3	3	L01525	4-1/2"	7/8"	145JP
5	1	L01525	4-1/2"	7/8"	184JP
5	3	L01525	4-1/2"	7/8"	182JP

NOTE: For an explanation of the tabulated material found on this page and for impeller key location, refer to **Supplement A** located at the beginning of this section.

BERKELEY® B1-1/2TPLS

Bronze Impeller

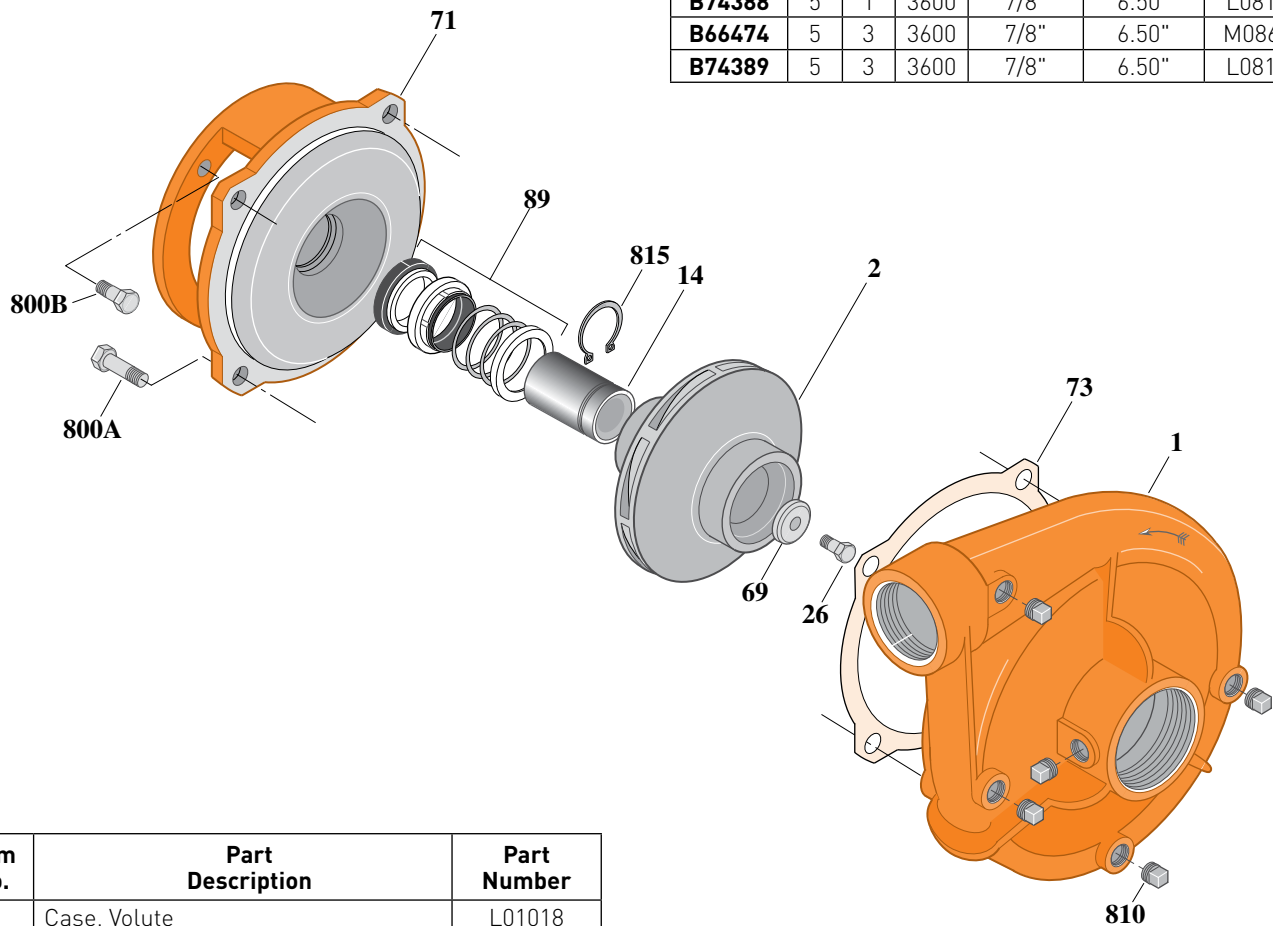
Threaded Case (NPT), Mechanical Shaft Seal Construction

ELECTRIC MOTOR DRIVE

Section	CC
Page	20.4
Date	March 4, 2013
Supersedes 01/01/04	

Table I

B/M No.	HP	PH	RPM	"U" Dim.	Imp. Dia.	Imp. No.
B66469	3	1	3600	7/8"	6.00"	L06662
B66470	3	3	3600	7/8"	6.00"	L06662
B66473	5	1	3600	7/8"	6.50"	M08629
B74388	5	1	3600	7/8"	6.50"	L08181
B66474	5	3	3600	7/8"	6.50"	M08629
B74389	5	3	3600	7/8"	6.50"	L08181



Item No.	Part Description	Part Number
1	Case, Volute	L01018
2	Impeller	See Table I
14	Sleeve, Shaft	S19310L
26	Screw, Impeller 3/8 - 16 x 1"	S23566
32	Key, 3/16 x 1-1/4" [See Note]	S34383
69	Washer, Impeller	S16239
71	Bracket	See Table II
73	Gasket, Case	S04757
89	Seal, Mechanical Shaft	S32014
800A	Capscrew, 1/2 - 13 x 1" [4 Req.]	S26912
800B	Capscrew, 3/8 - 16 x 1" [4 Req.]	S26826
810	Pipe Plug, 1/4 NPT [5 Req.]	S23715
815	Ring, Seal Retaining	S11207

Table II

HP	PH	Bracket No.	"AK" Fit	"U" Dim.	Motor Frame
3	1	L05329	4-1/2"	7/8"	182JM
3	3	L05329	4-1/2"	7/8"	145JM
5	1	L05329	4-1/2"	7/8"	184JM
5	3	L05329	4-1/2"	7/8"	182JM

NOTE: For an explanation of the tabulated material found on this page and for impeller key location, refer to **Supplement A** located at the beginning of this section.



BERKELEY® B1-1/2TPL

Silicon Bronze Impeller

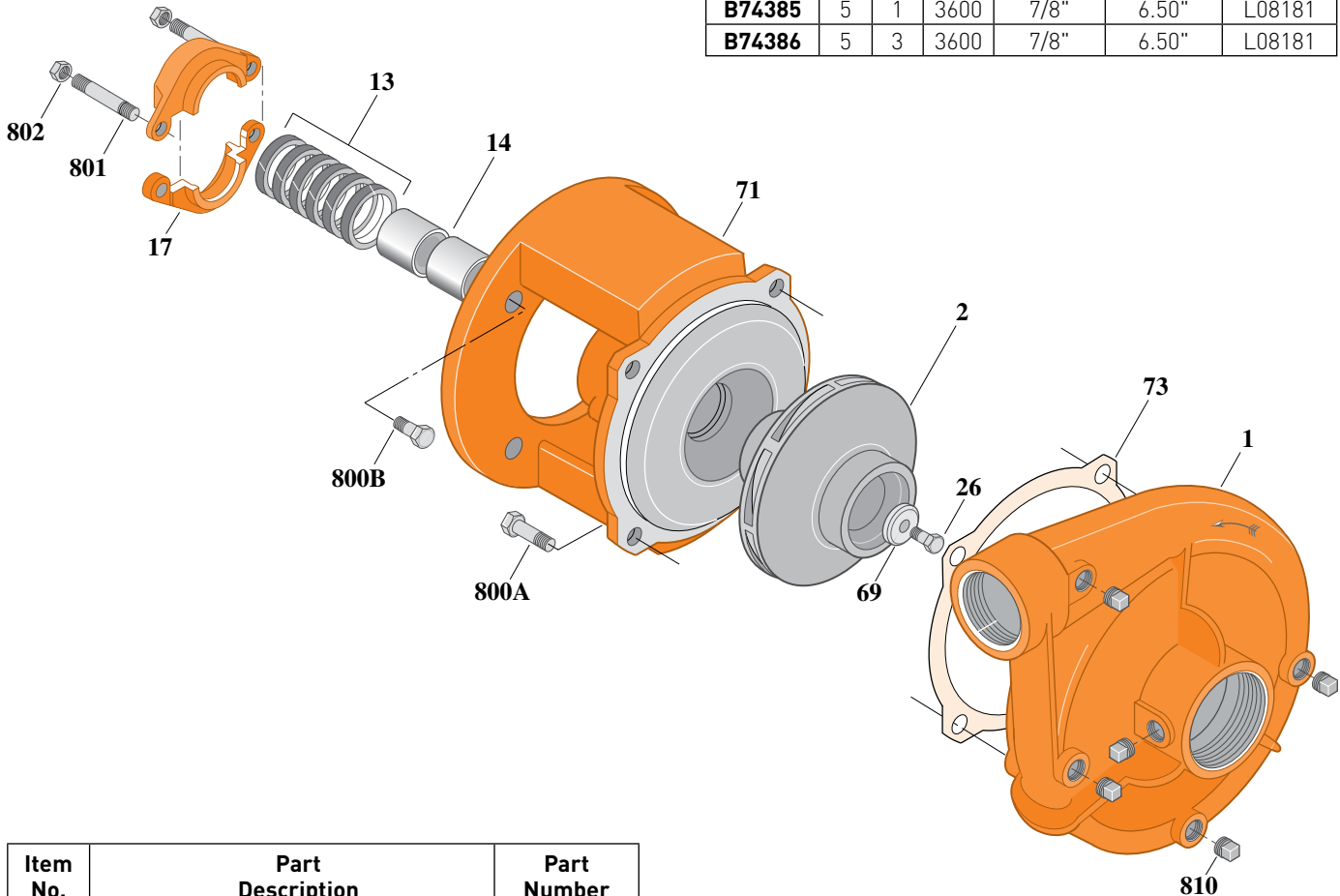
Threaded Case (NPT), Packing Construction

ELECTRIC MOTOR DRIVE

Section	CC
Page	20.5
Date	March 4, 2013
Supersedes 09/01/97	

Table I

B/M No.	HP	PH	RPM	"U" Dim.	Imp. Dia.	Imp. No.
B74385	5	1	3600	7/8"	6.50"	L08181
B74386	5	3	3600	7/8"	6.50"	L08181



1718 0495

Item No.	Part Description	Part Number
1	Case, Volute	L01018
2	Impeller	See Table I
13	Rings, Packing (Set of 6)	S13469
14	Sleeve, Shaft (2 Req.)	S00619
17	Gland, Packing	S00393
26	Screw, Impeller 3/8 - 16 x 1"	S23566
32	Key, 3/16 x 1-1/4" (See Note)	S34383
69	Washer, Impeller	S16239
71	Bracket	See Table II
73	Gasket, Volute	S04757
800A	Capscrew, 1/2 - 13 x 1" (4 Req.)	S26912
800B	Capscrew, 3/8 - 16 x 7/8" (4 Req.)	S26825
801	Stud, 3/8 - 16 x 4" (2 Req.)	S08303
802	Nut, Hex 3/8 - 16 (2 Req.)	S23343
810	Plug, Pipe 1/4" NPT (5 Req.)	S23715

Table II

HP	PH	Bracket No.	"AK" Fit	"U" Dim.	Motor Frame
5	1	L01525	4-1/2"	7/8"	184JP
5	3	L01525	4-1/2"	7/8"	182JP

NOTE: For an explanation of the tabulated material found on this page and for impeller key location, refer to **Supplement A** located at the beginning of this section.



BERKELEY® B1-1/2TPLS Silicon Bronze Impeller

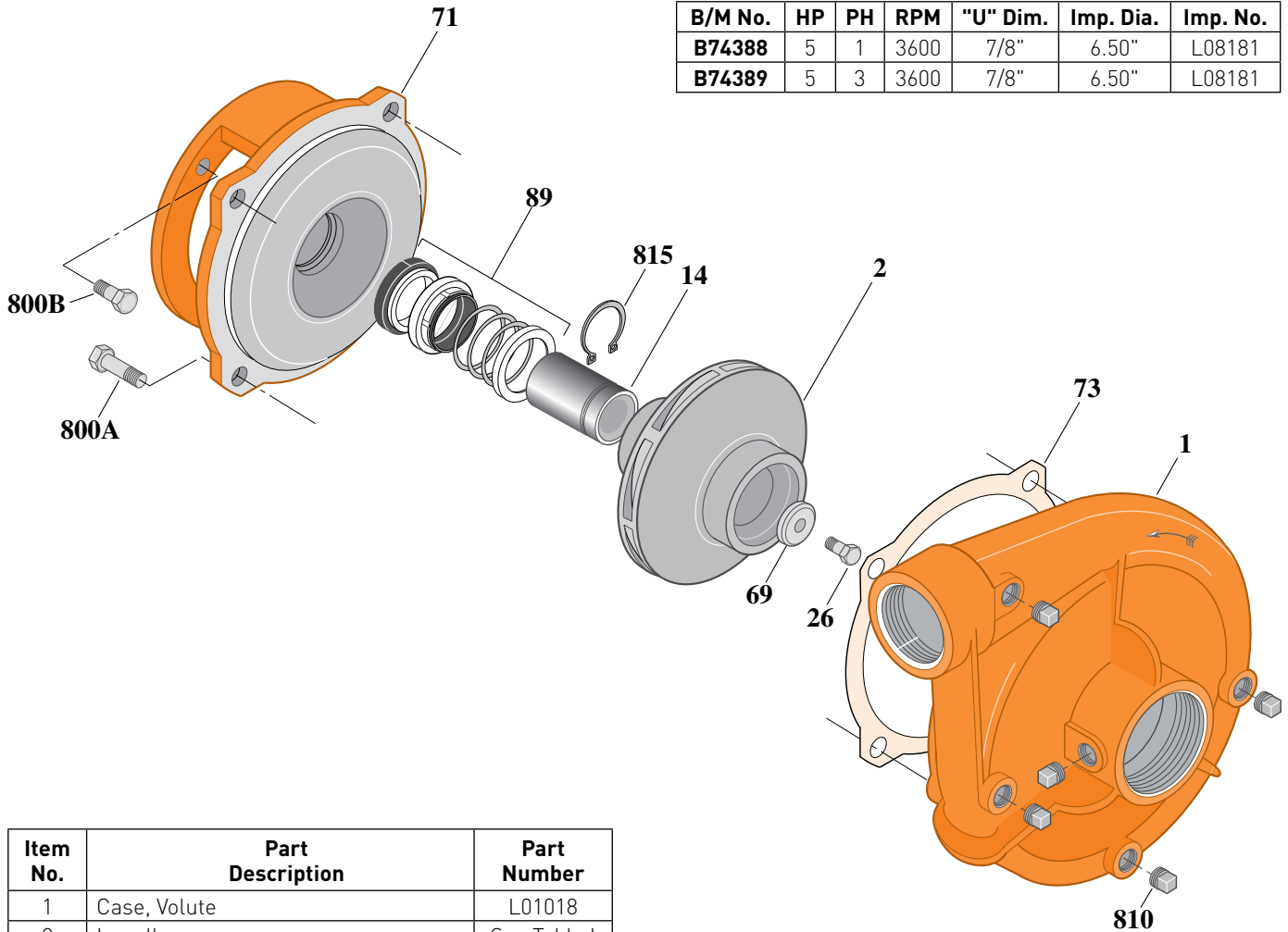
Threaded Case (NPT), Mechanical Shaft Seal Construction

ELECTRIC MOTOR DRIVE

Section	CC
Page	20.6
Date	March 4, 2013
Supersedes 09/01/97	

Table I

B/M No.	HP	PH	RPM	"U" Dim.	Imp. Dia.	Imp. No.
B74388	5	1	3600	7/8"	6.50"	L08181
B74389	5	3	3600	7/8"	6.50"	L08181



1479 0195

Item No.	Part Description	Part Number
1	Case, Volute	L01018
2	Impeller	See Table I
14	Sleeve, Shaft	S19310
26	Screw, Impeller 3/8 - 16 x 1"	S23566
32	Key, 3/16 x 1-1/4" [See Note]	S34383
69	Washer, Impeller	S16239
71	Bracket	See Table II
73	Gasket, Case	S04757
89	Seal, Mechanical Shaft	S32014
800A	Capscrew, 1/2 - 13 x 1" [4 Req.]	S26912
800B	Capscrew, 3/8 - 16 x 1" [4 Req.]	S26826
810	Pipe Plug, 1/4" NPT [5 Req.]	S23715
815	Ring, Seal Retaining	S11207
•	Plug, Pipe 1/8" NPT (In Bracket)	S23714

• Not illustrated.

Table II

HP	PH	Bracket No.	"AK" Fit	"U" Dim.	Motor Frame
5	1	L05329	4-1/2"	7/8"	184JM
5	3	L05329	4-1/2"	7/8"	182JM

NOTE 1: For an explanation of the tabulated material found on this page and for impeller key location, refer to **Supplement A** located at the beginning of this section.

NOTE 2: For seal flush line details, see **Supplement D**.



BERKELEY® B1-1/2TPM

Cast Iron Impeller

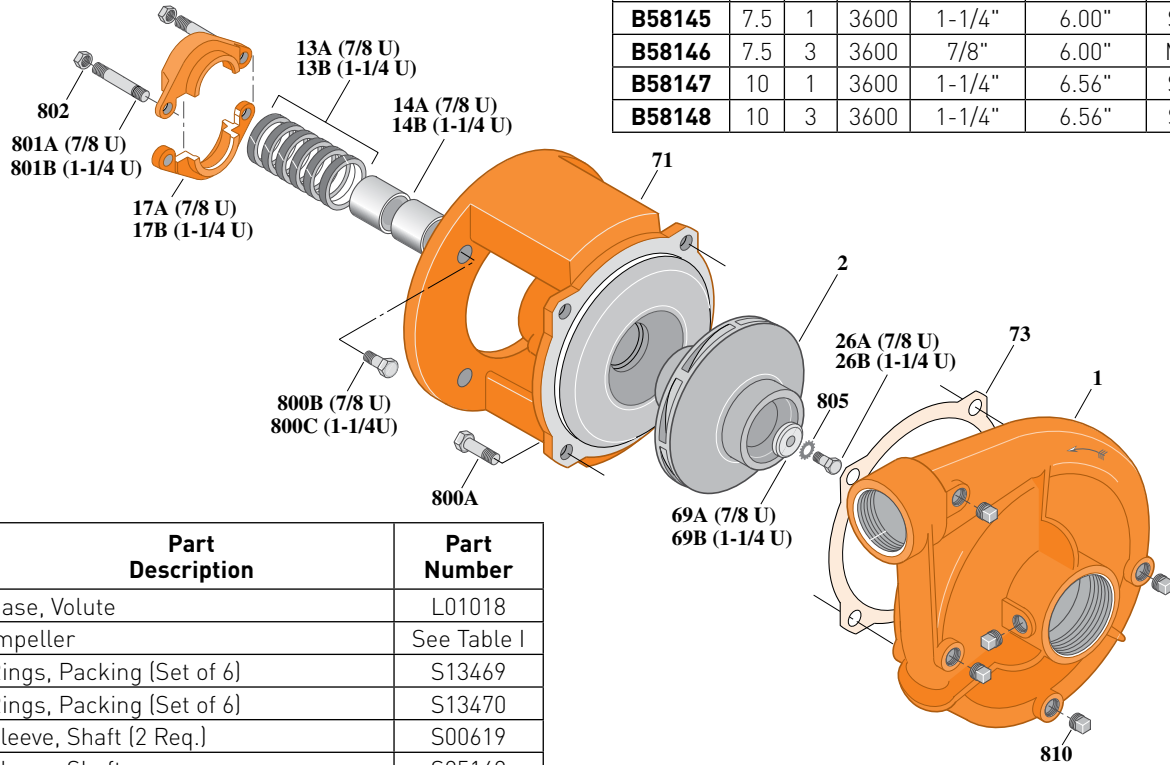
Threaded Case (NPT), Packing Construction

ELECTRIC MOTOR DRIVE

Section	CC
Page	30.1
Date	March 4, 2013
Supersedes 01/01/04	

Table I

B/M No.	HP	PH	RPM	"U" Dim.	Imp. Dia.	Imp. No.
B58143	5	1	3600	7/8"	5.50"	M07637
B58144	5	3	3600	7/8"	5.50"	M07637
B58145	7.5	1	3600	1-1/4"	6.00"	S34238
B58146	7.5	3	3600	7/8"	6.00"	M07638
B58147	10	1	3600	1-1/4"	6.56"	S32401
B58148	10	3	3600	1-1/4"	6.56"	S32401



1719 0495

Item No.	Part Description	Part Number
1	Case, Volute	L01018
2	Impeller	See Table I
13A	Rings, Packing [Set of 6]	S13469
13B	Rings, Packing [Set of 6]	S13470
14A	Sleeve, Shaft [2 Req.]	S00619
14B	Sleeve, Shaft	S05149
17A	Gland, Packing	B82469
17B	Gland, Packing	B82470
26A	Screw, Impeller, 3/8 - 16 x 1"	S23566
26B	Screw, Impeller 1/2 - 13 x 1"	S23619
32A	Key, 3/16 x 1-1/4" [See Note]	S34383
32B	Key, 1/4 x 2-1/4" [See Note]	S23677
69A	Washer, Impeller	S16239
69B	Washer, Impeller	S06317
71	Bracket	See Table II
73	Gasket, Volute	S04757
800A	Capscrew, 1/2 - 13 x 1" [4 Req.]	S26912
800B	Capscrew, 1/2 - 13 x 1" [8 Req.]	S26912
800C	Capscrew, 3/8 - 16 x 7/8" [4 Req.]	S26825
801A	Stud, 3/8 - 16 x 4" [2 Req.]	S08303
801B	Stud, 3/8 - 16 x 3-1/2" [2 Req.]	S04441
802	Nut, Hex 3/8 - 16 [2 Req.]	S23343
805	Washer, Lock	S23038
810	Plug, Pipe 1/4 NPT [5 Req.]	S23715

Table II

HP	PH	Bracket No.	"AK" Fit	"U" Dim.	Motor Frame
5	1	L01525	4-1/2"	7/8"	184JP
5	3	L01525	4-1/2"	7/8"	182JP
7.5	1	L01951	8-1/2"	1-1/4"	213JP
7.5	3	L01525	4-1/2"	7/8"	184JP
10	1	L01951	8-1/2"	1-1/4"	215JP
10	3	L01951	8-1/2"	1-1/4"	213JP

NOTE: For an explanation of the tabulated material found on this page and for impeller key location, refer to **Supplement A** located at the beginning of this section.



BERKELEY® B1-1/2TPMS

Cast Iron Impeller

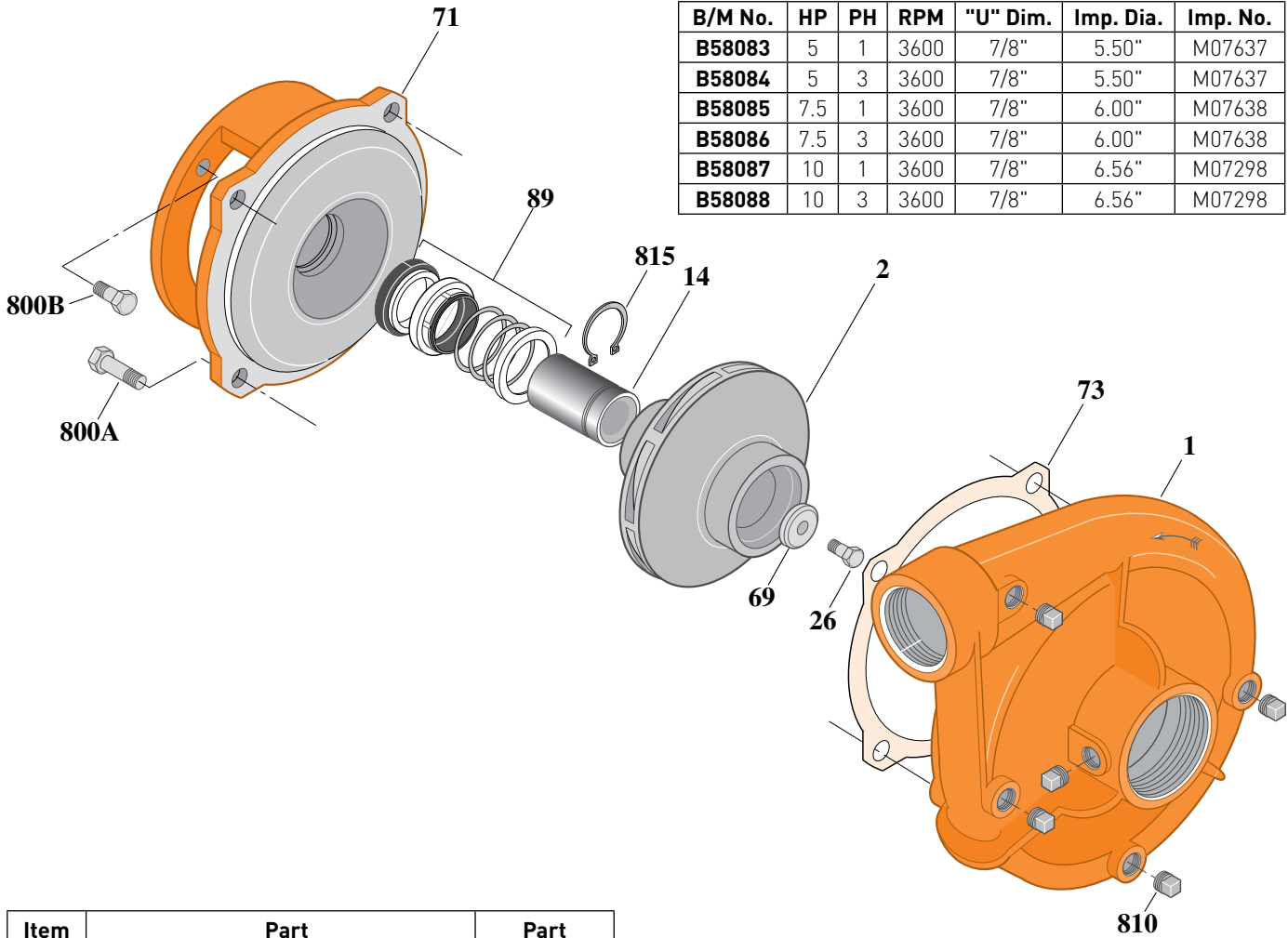
Threaded Case (NPT), Mechanical Shaft Seal Construction

ELECTRIC MOTOR DRIVE

Section	CC
Page	30.2
Date	March 4, 2013
Supersedes 01/01/04	

Table I

B/M No.	HP	PH	RPM	"U" Dim.	Imp. Dia.	Imp. No.
B58083	5	1	3600	7/8"	5.50"	M07637
B58084	5	3	3600	7/8"	5.50"	M07637
B58085	7.5	1	3600	7/8"	6.00"	M07638
B58086	7.5	3	3600	7/8"	6.00"	M07638
B58087	10	1	3600	7/8"	6.56"	M07298
B58088	10	3	3600	7/8"	6.56"	M07298



1479 0195

Item No.	Part Description	Part Number
1	Case, Volute	L01018
2	Impeller	See Table I
14	Sleeve, Shaft	S19310L
26	Screw, Impeller 3/8 - 16 x 1"	S23566
32	Key, 3/16 x 1-1/4" (See Note)	S34383
69	Washer, Impeller	S16239
71	Bracket	See Table II
73	Gasket, Volute	S04757
89	Seal, Mechanical Shaft	S32014
800A	Capscrew, 1/2 - 13 x 1" [8 Req.]	S26912
800B	Capscrew, 3/8 - 16 x 1" [4 Req.]	S26826
810	Plug, Pipe 1/4 NPT [5 Req.]	S23715
815	Ring, Retaining	S11207

Table II

HP	PH	Bracket No.	"AK" Fit	"U" Dim.	Motor Frame
5	1	L05329	4-1/2"	7/8"	184JM
5	3	L05329	4-1/2"	7/8"	182JM
7.5	1	L05328	8-1/2"	7/8"	213JM
7.5	3	L05329	4-1/2"	7/8"	184JM
10	1	L05328	8-1/2"	7/8"	215JM
10	3	L05328	8-1/2"	7/8"	213JM

NOTE: For an explanation of the tabulated material found on this page and for impeller key location, refer to **Supplement A** located at the beginning of this section.



BERKELEY® B1-1/2TPM

Bronze Impeller

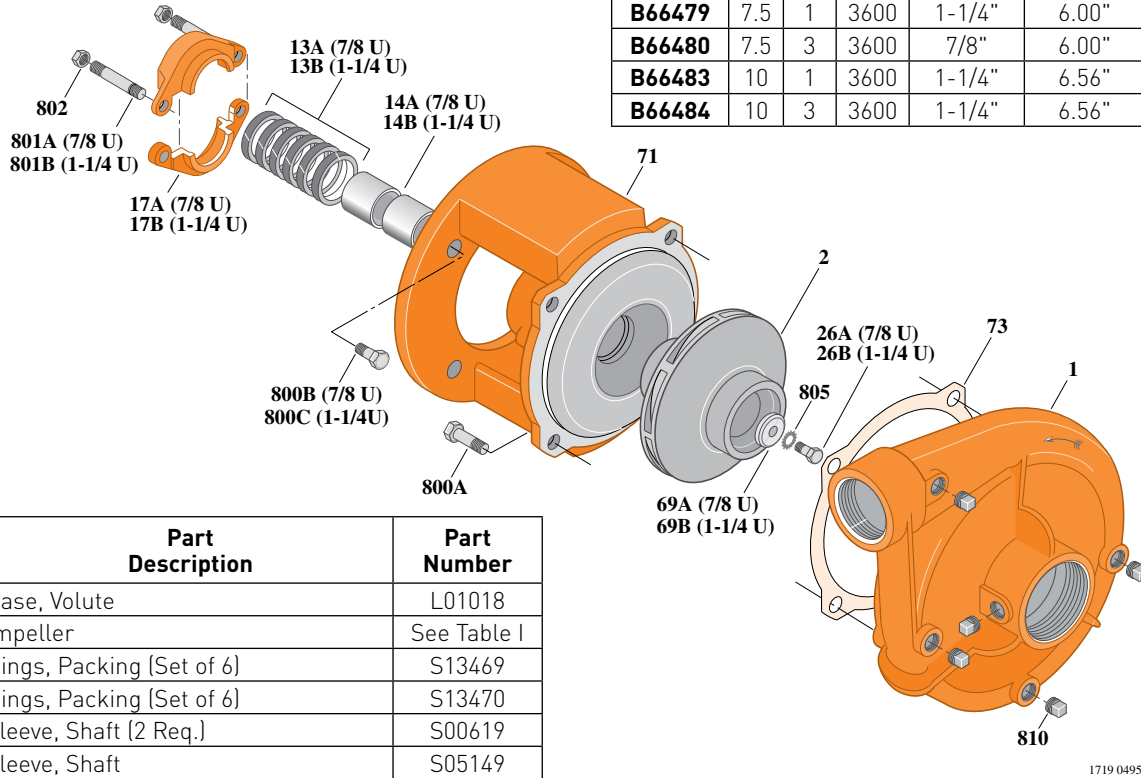
Threaded Case (NPT), Packing Construction

ELECTRIC MOTOR DRIVE

Section	CC
Page	30.3
Date	March 4, 2013
Supersedes 01/01/04	

Table I

B/M No.	HP	PH	RPM	"U" Dim.	Imp. Dia.	Imp. No.
B66475	5	1	3600	7/8"	5.50"	L08179
B66476	5	3	3600	7/8"	5.50"	L08179
B66479	7.5	1	3600	1-1/4"	6.00"	L08151
B66480	7.5	3	3600	7/8"	6.00"	L08177
B66483	10	1	3600	1-1/4"	6.56"	L08150
B66484	10	3	3600	1-1/4"	6.56"	L08150



Item No.	Part Description	Part Number
1	Case, Volute	L01018
2	Impeller	See Table I
13A	Rings, Packing [Set of 6]	S13469
13B	Rings, Packing [Set of 6]	S13470
14A	Sleeve, Shaft [2 Req.]	S00619
14B	Sleeve, Shaft	S05149
17A	Gland, Packing	B82469
17B	Gland, Packing	B82470
26A	Screw, Impeller, 3/8 - 16 x 1"	S23566
26B	Screw, Impeller 1/2 - 13 x 1"	S23619
32A	Key, 3/16 x 1-1/4" [See Note]	S34383
32B	Key, 1/4 x 2-1/4" [See Note]	S23677
69A	Washer, Impeller	S16239
69B	Washer, Impeller	S06317
71	Bracket	See Table II
73	Gasket, Volute	S04757
800A	Capscrew, 1/2 - 13 x 1" [4 Req.]	S26912
800B	Capscrew, 1/2 - 13 x 1" [8 Req.]	S26912
800C	Capscrew, 3/8 - 16 x 7/8" [4 Req.]	S26825
801A	Stud, 3/8 - 16 x 4" [2 Req.]	S08303
801B	Stud, 3/8 - 16 x 3-1/2" [2 Req.]	S04441
802	Nut, Hex 3/8 - 16 [2 Req.]	S23343
805	Washer, Lock	S23038
810	Plug, Pipe 1/4 NPT [5 Req.]	S23715

Table II

HP	PH	Bracket No.	"AK" Fit	"U" Dim.	Motor Frame
5	1	L01525	4-1/2"	7/8"	184JP
5	3	L01525	4-1/2"	7/8"	182JP
7.5	1	L01951	8-1/2"	1-1/4"	213JP
7.5	3	L01525	4-1/2"	7/8"	184JP
10	1	L01951	8-1/2"	1-1/4"	215JP
10	3	L01951	8-1/2"	1-1/4"	213JP

NOTE: For an explanation of the tabulated material found on this page and for impeller key location, refer to **Supplement A** located at the beginning of this section.



BERKELEY® B1-1/2TPMS

Bronze Impeller

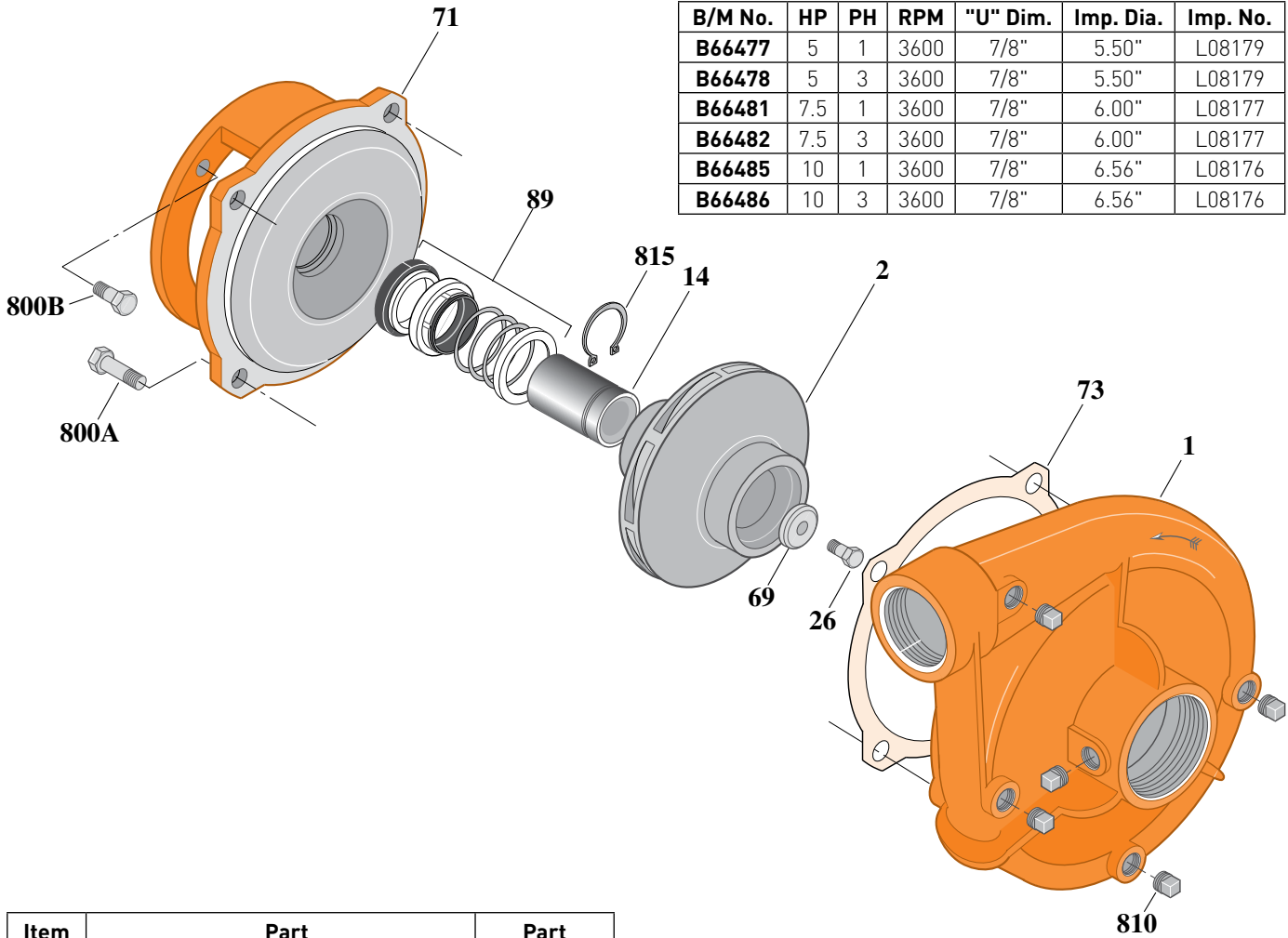
Threaded Case (NPT), Mechanical Shaft Seal Construction

ELECTRIC MOTOR DRIVE

Section	CC
Page	30.4
Date	March 4, 2013
Supersedes 01/01/04	

Table I

B/M No.	HP	PH	RPM	"U" Dim.	Imp. Dia.	Imp. No.
B66477	5	1	3600	7/8"	5.50"	L08179
B66478	5	3	3600	7/8"	5.50"	L08179
B66481	7.5	1	3600	7/8"	6.00"	L08177
B66482	7.5	3	3600	7/8"	6.00"	L08177
B66485	10	1	3600	7/8"	6.56"	L08176
B66486	10	3	3600	7/8"	6.56"	L08176



1479 0195

Item No.	Part Description	Part Number
1	Case, Volute	L01018
2	Impeller	See Table I
14	Sleeve, Shaft	S19310
26	Screw, Impeller 3/8 - 16 x 1"	S23566
32	Key, 3/16 x 1-1/4" [See Note]	S34383
69	Washer, Impeller	S16239
71	Bracket	See Table II
73	Gasket, Volute	S04757
89	Seal, Mechanical Shaft	S32014
800A	Capscrew, 1/2 - 13 x 1" [8 Req.]	S26912
800B	Capscrew, 3/8 - 16 x 1" [4 Req.]	S26826
810	Plug, Pipe 1/4 NPT [5 Req.]	S23715
815	Ring, Retaining	S11207

Table II

HP	PH	Bracket No.	"AK" Fit	"U" Dim.	Motor Frame
5	1	L05329	4-1/2"	7/8"	184JM
5	3	L05329	4-1/2"	7/8"	182JM
7.5	1	L05328	8-1/2"	7/8"	213JM
7.5	3	L05329	4-1/2"	7/8"	184JM
10	1	L05328	8-1/2"	7/8"	215JM
10	3	L05328	8-1/2"	7/8"	213JM

NOTE: For an explanation of the tabulated material found on this page and for impeller key location, refer to **Supplement A** located at the beginning of this section.



BERKELEY® B1-1/2TPM

Silicon Bronze Impeller

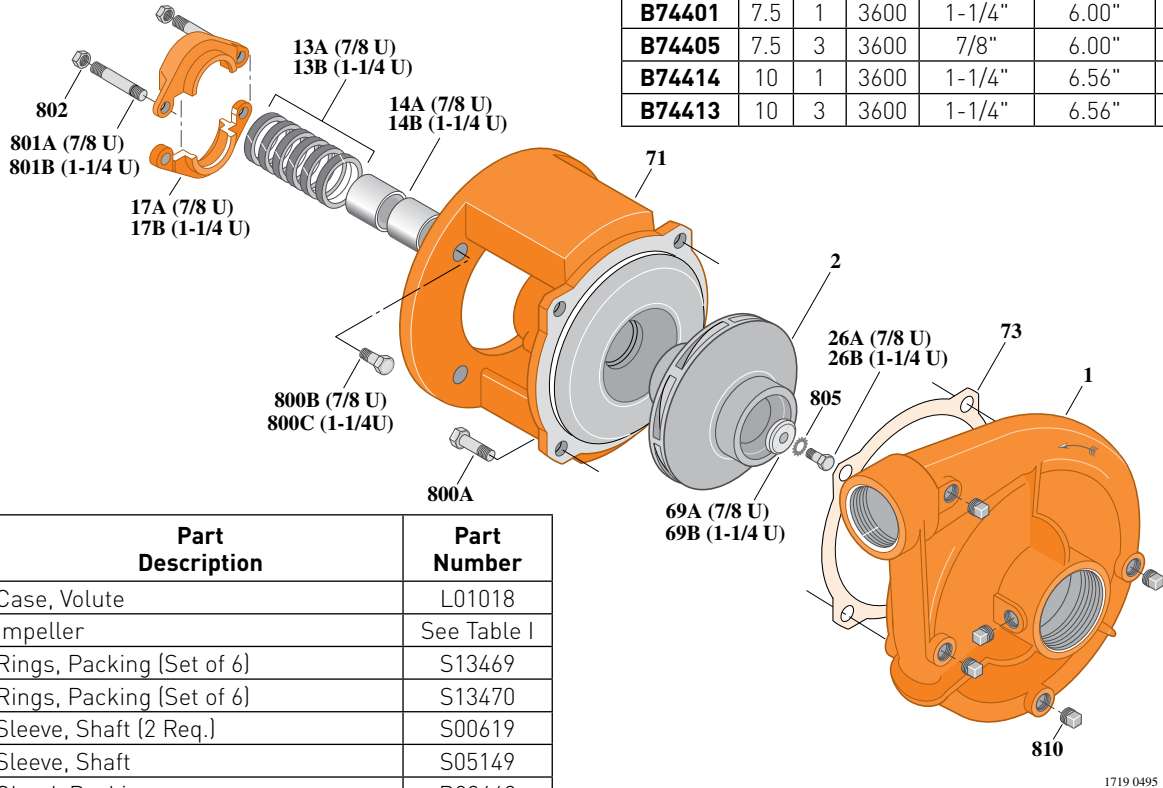
Threaded Case (NPT), Packing Construction

ELECTRIC MOTOR DRIVE

Section	CC
Page	30.5
Date	March 4, 2013
Supersedes 01/01/04	

Table I

B/M No.	HP	PH	RPM	"U" Dim.	Imp. Dia.	Imp. No.
B74394	5	1	3600	7/8"	5.50"	L08179
B74393	5	3	3600	7/8"	5.50"	L08179
B74401	7.5	1	3600	1-1/4"	6.00"	L08151
B74405	7.5	3	3600	7/8"	6.00"	L08177
B74414	10	1	3600	1-1/4"	6.56"	L08150
B74413	10	3	3600	1-1/4"	6.56"	L08150



Item No.	Part Description	Part Number
1	Case, Volute	L01018
2	Impeller	See Table I
13A	Rings, Packing [Set of 6]	S13469
13B	Rings, Packing [Set of 6]	S13470
14A	Sleeve, Shaft [2 Req.]	S00619
14B	Sleeve, Shaft	S05149
17A	Gland, Packing	B82469
17B	Gland, Packing	B82470
26A	Screw, Impeller, 3/8 - 16 x 1"	S23566
26B	Screw, Impeller 1/2 - 13 x 1"	S23619
32A	Key, 3/16 x 1-1/4" [See Note]	S34383
32B	Key, 1/4 x 2-1/4" [See Note]	S23677
69A	Washer, Impeller	S16239
69B	Washer, Impeller	S06317
71	Bracket	See Table II
73	Gasket, Volute	S04757
800A	Capscrew, 1/2 - 13 x 1" [4 Req.]	S26912
800B	Capscrew, 3/8 - 16 x 7/8" [4 Req.]	S26825
800C	Capscrew, 1/2 - 13 x 1" [4 Req.]	S26912
801A	Stud, 3/8 - 16 x 4" [2 Req.]	S08303
801B	Stud, 3/8 - 16 x 3-1/2" [2 Req.]	S04441
802	Nut, Hex 3/8 - 16 [2 Req.]	S23343
805	Washer, Lock	S23038
810	Plug, Pipe 1/4" NPT [5 Req.]	S23715

Table II

HP	PH	Bracket No.	"AK" Fit	"U" Dim.	Motor Frame
5	1	L01525	4-1/2"	7/8"	184JP
5	3	L01525	4-1/2"	7/8"	182JP
7.5	1	L01951	8-1/2"	1-1/4"	213JP
7.5	3	L01525	4-1/2"	7/8"	184JP
10	1	L01951	8-1/2"	1-1/4"	215JP
10	3	L01951	8-1/2"	1-1/4"	213JP

NOTE: For an explanation of the tabulated material found on this page and for impeller key location, refer to **Supplement A** located at the beginning of this section.



BERKELEY® B1-1/2TPMS

Silicon Bronze Impeller

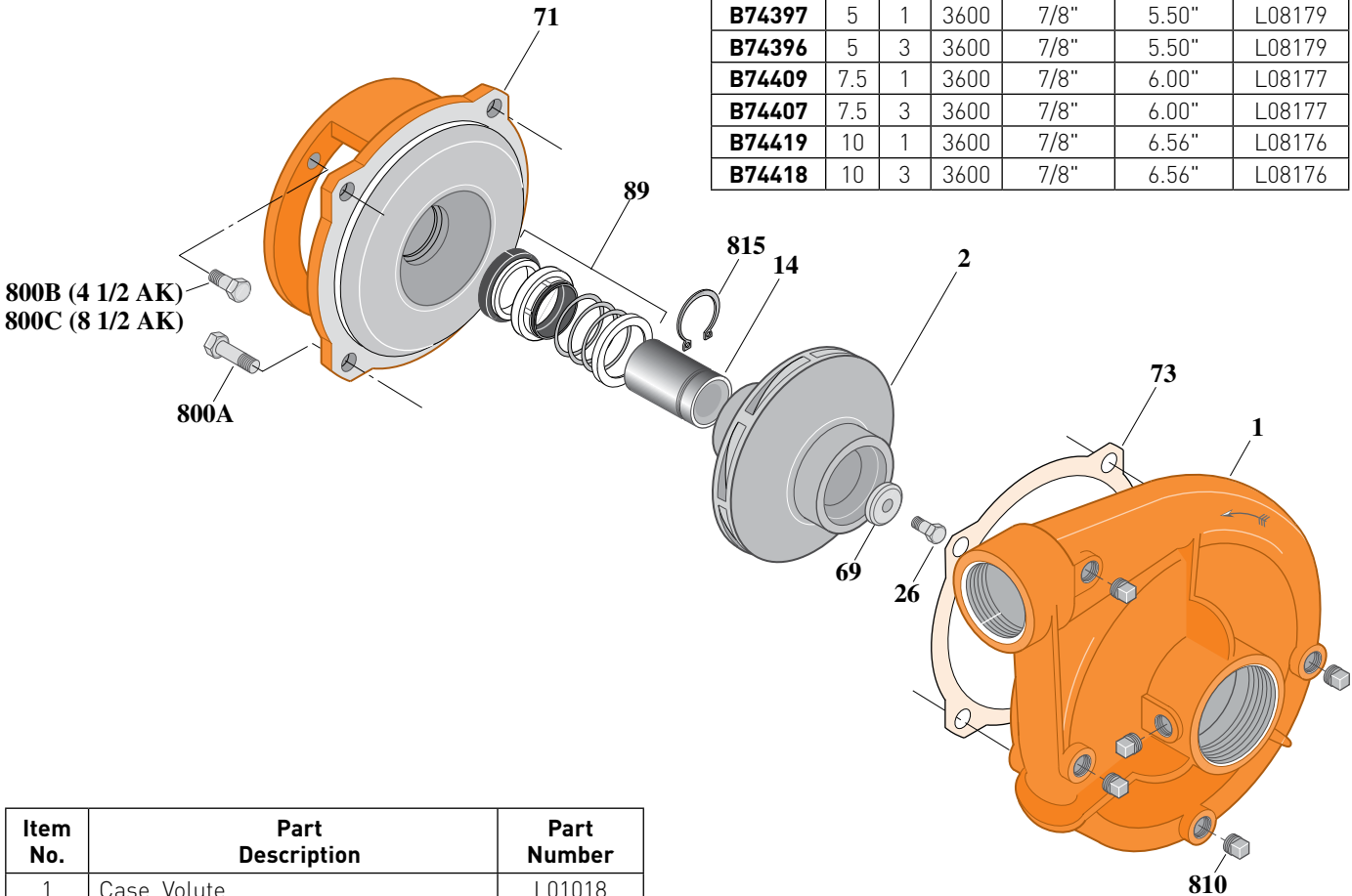
Threaded Case (NPT), Mechanical Shaft Seal Construction

ELECTRIC MOTOR DRIVE

Section	CC
Page	30.6
Date	March 4, 2013
Supersedes 01/01/04	

Table I

B/M No.	HP	PH	RPM	"U" Dim.	Imp. Dia.	Imp. No.
B74397	5	1	3600	7/8"	5.50"	L08179
B74396	5	3	3600	7/8"	5.50"	L08179
B74409	7.5	1	3600	7/8"	6.00"	L08177
B74407	7.5	3	3600	7/8"	6.00"	L08177
B74419	10	1	3600	7/8"	6.56"	L08176
B74418	10	3	3600	7/8"	6.56"	L08176



1479A 0195

Item No.	Part Description	Part Number
1	Case, Volute	L01018
2	Impeller	See Table I
14	Sleeve, Shaft	S19310
26	Screw, Impeller 3/8 - 16 x 1"	S23566
32	Key, 3/16 x 1-1/4" [See Note]	S34383
69	Washer, Impeller	S16239
71	Bracket	See Table II
73	Gasket, Volute	S04757
89	Seal, Mechanical Shaft	S32014
800A	Capscrew, 1/2 - 13 x 1" [4 Req.]	S26912
800B	Capscrew, 3/8 - 16 x 1" [4 Req.]	S26826
800C	Capscrew, 1/2 - 13 x 1" [4 Req.]	S26912
810	Plug, Pipe 1/4" NPT [5 Req.]	S23715
815	Ring, Retaining	S11207
•	Plug, Pipe 1/8" NPT (In Bracket)	S23714

• Not illustrated.

Table II

HP	PH	Bracket No.	"AK" Fit	"U" Dim.	Motor Frame
5	1	L05329	4-1/2"	7/8"	184JM
5	3	L05329	4-1/2"	7/8"	182JM
7.5	1	L05328	8-1/2"	7/8"	213JM
7.5	3	L05329	4-1/2"	7/8"	184JM
10	1	L05328	8-1/2"	7/8"	215JM
10	3	L05328	8-1/2"	7/8"	213JM

NOTE 1: For an explanation of the tabulated material found on this page and for impeller key location, refer to **Supplement A** located at the beginning of this section.

NOTE 2: For seal flush line details, see **Supplement D**.



BERKELEY® B1-1/2ZPL

Cast Iron Impeller

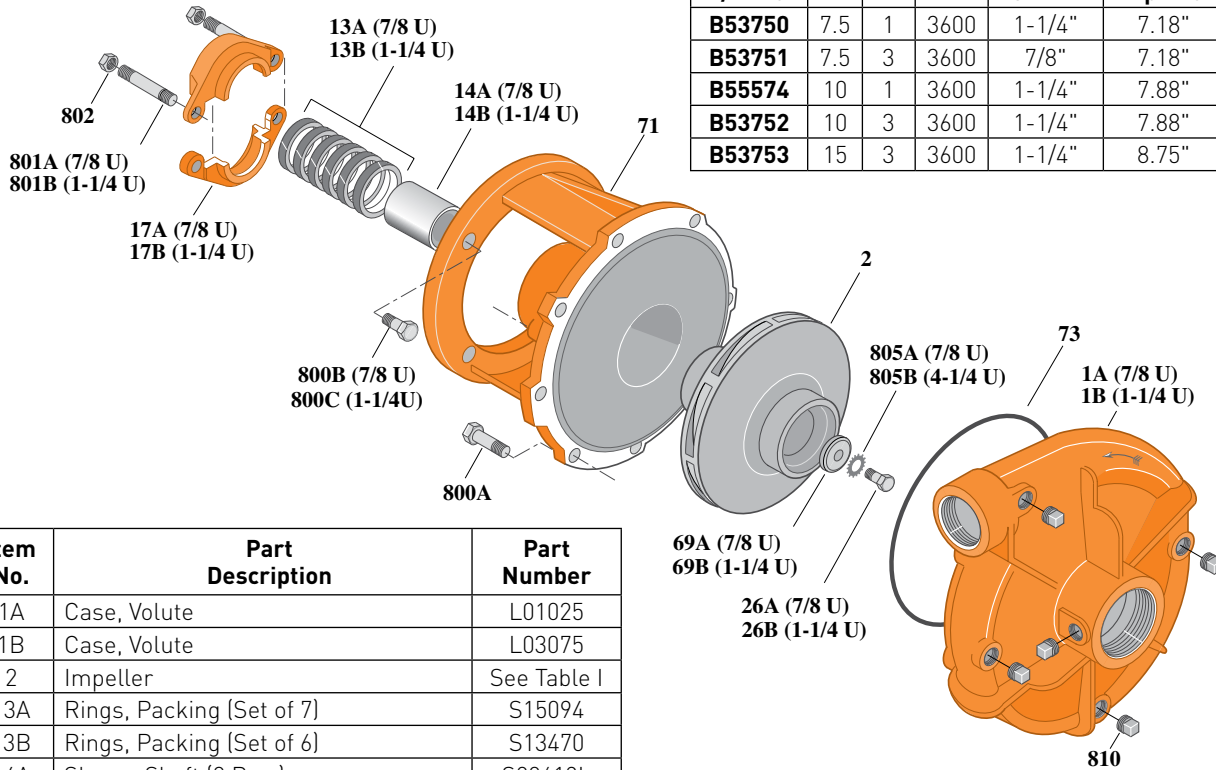
Threaded Case (NPT), Packing Construction

ELECTRIC MOTOR DRIVE

Section	CC
Page	40.1
Date	March 4, 2013
Supersedes 07/01/11	

Table I

B/M No.	HP	PH	RPM	"U" Dim.	Imp. Dia.	Imp. No.
B53750	7.5	1	3600	1-1/4"	7.18"	M07692
B53751	7.5	3	3600	7/8"	7.18"	M07693
B55574	10	1	3600	1-1/4"	7.88"	M07691
B53752	10	3	3600	1-1/4"	7.88"	M07691
B53753	15	3	3600	1-1/4"	8.75"	M07690



Item No.	Part Description	Part Number
1A	Case, Volute	L01025
1B	Case, Volute	L03075
2	Impeller	See Table I
13A	Rings, Packing [Set of 7]	S15094
13B	Rings, Packing [Set of 6]	S13470
14A	Sleeve, Shaft [2 Req.]	S00619L
14B	Sleeve, Shaft	S05149L
17A	Gland, Packing	B82469
17B	Gland, Packing	B82470
26A	Screw, Impeller 3/8 - 16 x 1"	S23566
26B	Screw, Impeller 1/2 - 13 x 1"	S23619
32A	Key, 3/16 x 1-1/4" [See Note 1]	S34383
32B	Key, 1/4 x 2/14" [See Note 1]	S23677
69A	Washer, Impeller	S06314
69B	Washer, Impeller	S06317
71	Bracket	See Table II
73	O-Ring [See Note 2]	M14943
800A	Capscrew, 3/8 - 16 x 1" [12 Req.]	S26826
800B	Capscrew, 3/8 - 16 x 1-1/8" [8 Req.]	S26827
800C	Capscrew, 1/2 - 13 x 1-1/2" [4 Req.]	S26916
801A	Stud, 3/8 - 16 x 3" [2 Req.]	S04439
801B	Stud, 3/8 - 16 x 4" [2 Req.]	S08303
802	Nut, Hex 3/8 - 16 [2 Req.]	S23343
805A	Washer, Lock	S23036
805B	Washer, Lock	S23038
810	Plug, Pipe 1/4 NPT [5 Req.]	S23715

Table II

HP	PH	Bracket No.	"AK" Fit	"U" Dim.	Motor Frame
7.5	1	L03827	8-1/2"	1-1/4"	213JP
7.5	3	H00950	4-1/2"	7/8"	184JP
10	1	L03827	8-1/2"	1-1/4"	215JP
10	3	L03827	8-1/2"	1-1/4"	213JP
15	3	L03827	8-1/2"	1-1/4"	215JP

NOTE 1: For an explanation of the tabulated material found on this page and for impeller key location, refer to **Supplement A** located at the beginning of this section.

NOTE 2: Also accepts gasket **S05126** as replacement for O-Ring. See **Supplement E** located at the beginning of this section.



BERKELEY® B1-1/2ZPLS

Cast Iron Impeller

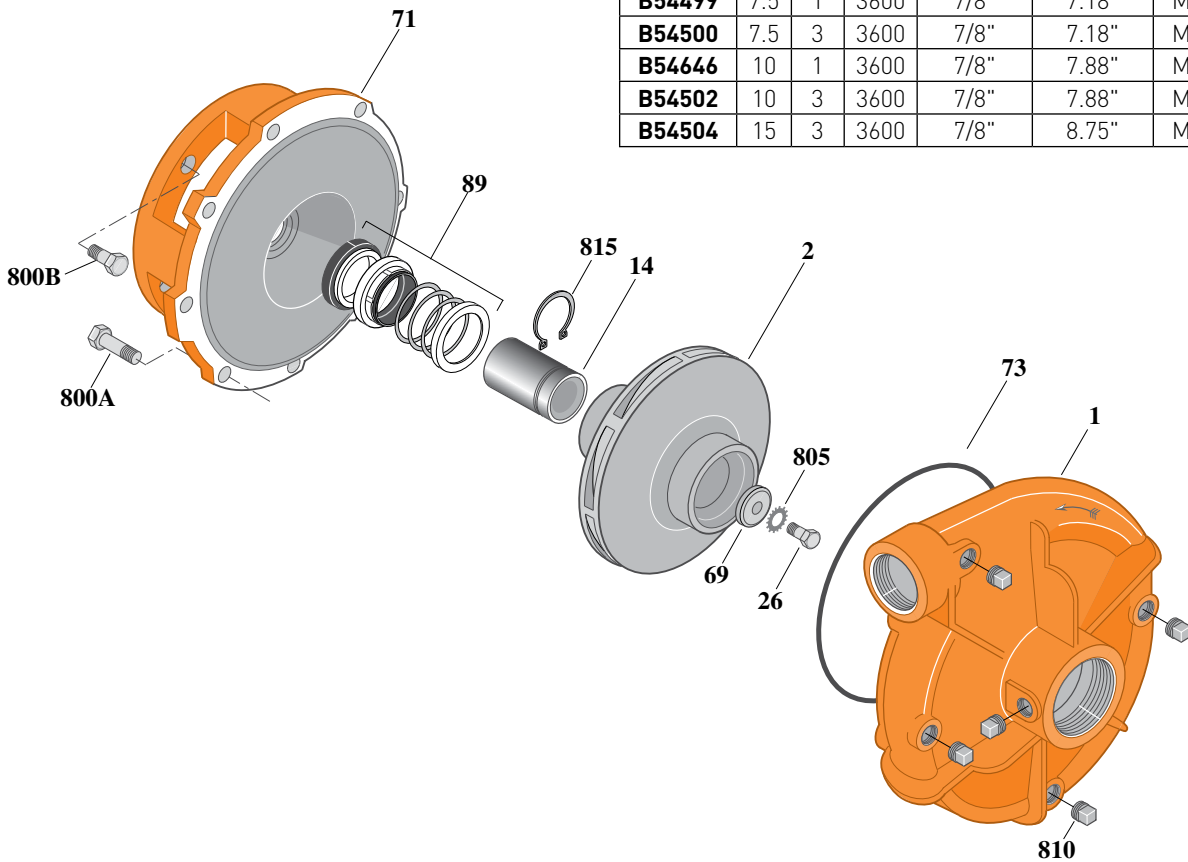
Threaded Case (NPT), Mechanical Shaft Seal Construction

ELECTRIC MOTOR DRIVE

Section	CC
Page	40.2
Date	March 4, 2013
Supersedes 07/01/11	

Table I

B/M No.	HP	PH	RPM	"U" Dim.	Imp. Dia.	Imp. No.
B54499	7.5	1	3600	7/8"	7.18"	M07693
B54500	7.5	3	3600	7/8"	7.18"	M07693
B54646	10	1	3600	7/8"	7.88"	M07758
B54502	10	3	3600	7/8"	7.88"	M07758
B54504	15	3	3600	7/8"	8.75"	M07759



Item No.	Part Description	Part Number
1	Case, Volute	L01025
2	Impeller	See Table I
14	Sleeve, Shaft	S19310L
26	Screw, Impeller 3/8 - 16 x 1"	S23566
32	Key, 3/16 x 1-1/4" [See Note 1]	S34383
69	Washer, Impeller	S06314
71	Bracket	See Table II
73	O-Ring [See Note 2]	M14943
89	Seal, Mechanical Shaft	S32014
800A	Capscrew, 3/8 - 16 x 1" [8 Req.]	S26826
800B	Capscrew, 1/2 - 13 x 1" [4 Req.]	S26912
805	Washer, Lock	S23036
810	Plug, Pipe 1/4 NPT [5 Req.]	S23715
815	Ring, Retaining	S11207

Table II

HP	PH	Bracket No.	"AK" Fit	"U" Dim.	Motor Frame
7.5	1	L05331	8-1/2"	7/8"	213JM
7.5	3	L05332	4-1/2"	7/8"	184JM
10	1	L05331	8-1/2"	7/8"	215JM
10	3	L05331	8-1/2"	7/8"	213JM
15	3	L05331	8-1/2"	7/8"	215JM

NOTE 1: For an explanation of the tabulated material found on this page and for impeller key location, refer to **Supplement A** located at the beginning of this section.

NOTE 2: Also accepts gasket **S05126** as replacement for O-Ring. See **Supplement E** located at the beginning of this section.



BERKELEY® B1-1/2ZPLS

Cast Iron Impeller

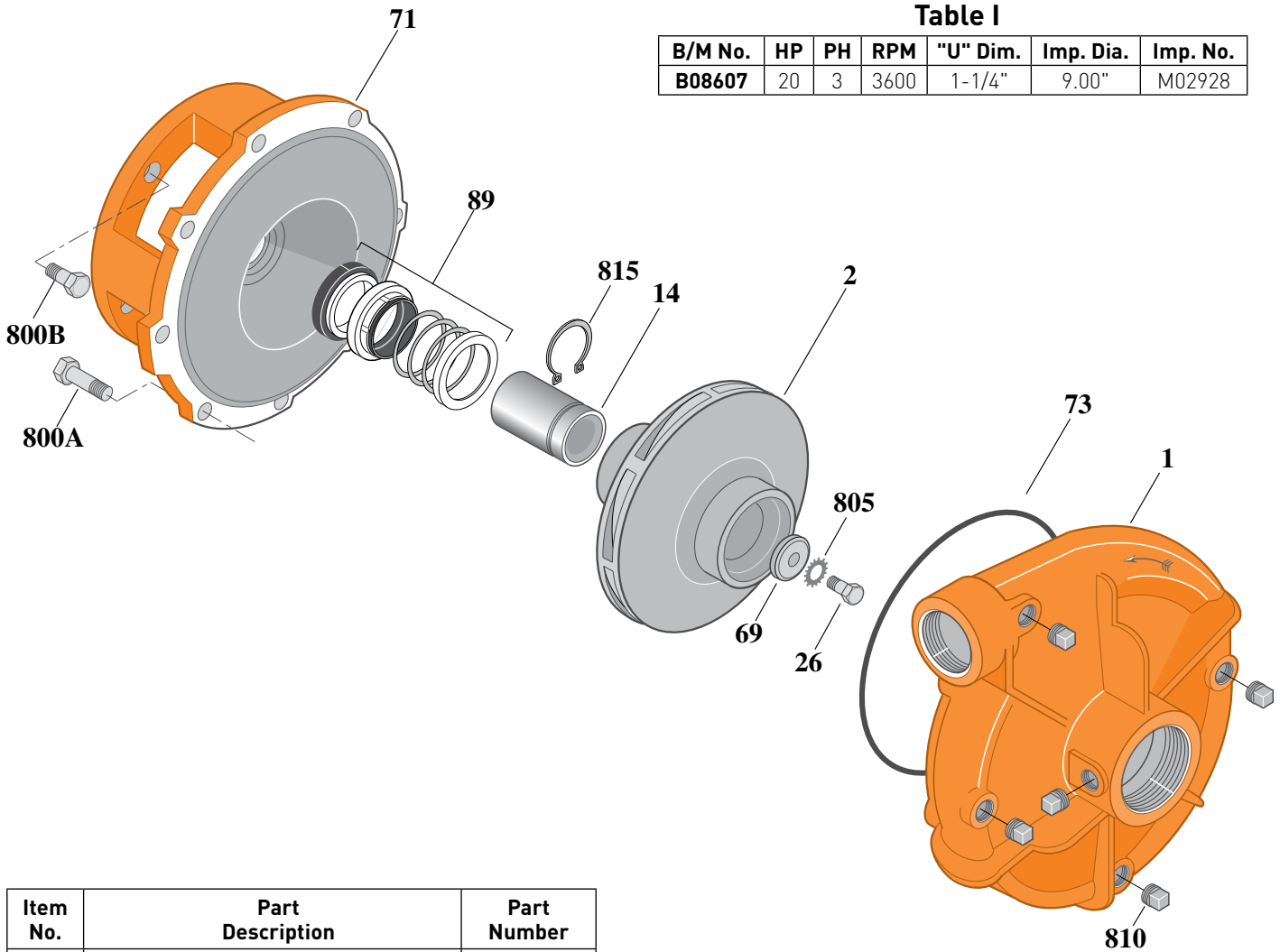
Threaded Case (NPT), Mechanical Shaft Seal Construction

ELECTRIC MOTOR DRIVE

Section	CC
Page	40.3
Date	March 4, 2013
Supersedes 07/01/11	

Table I

B/M No.	HP	PH	RPM	"U" Dim.	Imp. Dia.	Imp. No.
B08607	20	3	3600	1-1/4"	9.00"	M02928



Item No.	Part Description	Part Number
1	Case, Volute	L03075
2	Impeller	See Table I
14	Sleeve, Shaft	S18869L
26	Screw, Impeller 1/2 - 13 x 1"	S23619
32	Key, 1/4 x 2-1/4" [See Note 1]	S23677
69	Washer, Impeller	S06319
71	Bracket	See Table II
73	O-Ring [See Note 2]	M14943
89	Seal, Mechanical Shaft	S32015
800A	Capscrew, 3/8 - 16 x 1-1/8" [8 Req.]	S26827
800B	Capscrew, 1/2 - 13 x 1" [4 Req.]	S26912
805	Washer, Lock	S23038
810	Plug, Pipe 1/4 NPT [5 Req.]	S23715
815	Ring, Retaining	S16767

Table II

HP	PH	Bracket No.	"AK" Fit	"U" Dim.	Motor Frame
20	3	L04615	8-1/2"	1-1/4"	254JM

NOTE 1: For an explanation of the tabulated material found on this page and for impeller key location, refer to **Supplement A** located at the beginning of this section.

NOTE 2: Also accepts gasket **S05126** as replacement for O-Ring. See **Supplement E** located at the beginning of this section.



BERKELEY® B1-1/2ZPL

Bronze Impeller

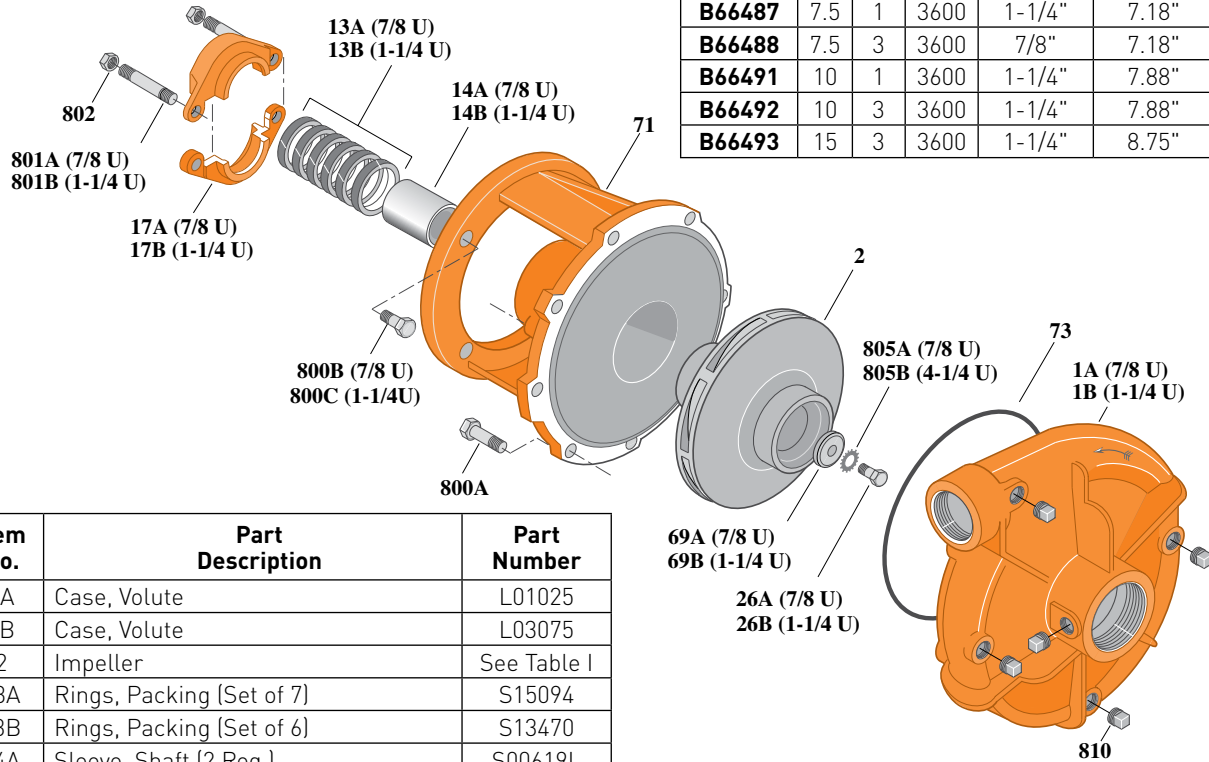
Threaded Case (NPT), Packing Construction

ELECTRIC MOTOR DRIVE

Section	CC
Page	40.4
Date	March 4, 2013
Supersedes 07/01/11	

Table I

B/M No.	HP	PH	RPM	"U" Dim.	Imp. Dia.	Imp. No.
B66487	7.5	1	3600	1-1/4"	7.18"	L06648
B66488	7.5	3	3600	7/8"	7.18"	L06649
B66491	10	1	3600	1-1/4"	7.88"	L06647
B66492	10	3	3600	1-1/4"	7.88"	L06647
B66493	15	3	3600	1-1/4"	8.75"	L06646



Item No.	Part Description	Part Number
1A	Case, Volute	L01025
1B	Case, Volute	L03075
2	Impeller	See Table I
13A	Rings, Packing [Set of 7]	S15094
13B	Rings, Packing [Set of 6]	S13470
14A	Sleeve, Shaft [2 Req.]	S00619L
14B	Sleeve, Shaft	S05149L
17A	Gland, Packing	B82469
17B	Gland, Packing	B82470
26A	Screw, Impeller 3/8 - 16 x 1"	S23566
26B	Screw, Impeller 1/2 - 13 x 1"	S23619
32A	Key, 3/16 x 1-1/4" [See Note 1]	S34383
32B	Key, 1/4 x 2/14" [See Note 1]	S23677
69A	Washer, Impeller	S06314
69B	Washer, Impeller	S06317
71	Bracket	See Table II
73	O-Ring [See Note 2]	M14943
800A	Capscrew, 3/8 - 16 x 1" [12 Req.]	S26826
800B	Capscrew, 3/8 - 16 x 1-1/8" [8 Req.]	S26827
800C	Capscrew, 1/2 - 13 x 1-1/2" [4 Req.]	S26916
801A	Stud, 3/8 - 16 x 3" [2 Req.]	S04439
801B	Stud, 3/8 - 16 x 4" [2 Req.]	S08303
802	Nut, Hex 3/8 - 16 [2 Req.]	S23343
805A	Washer, Lock	S23036
805B	Washer, Lock	S23038
810	Plug, Pipe 1/4 NPT [5 Req.]	S23715

Table II

HP	PH	Bracket No.	"AK" Fit	"U" Dim.	Motor Frame
7.5	1	L03827	8-1/2"	1-1/4"	213JP
7.5	3	H00950	4-1/2"	7/8"	184JP
10	1	L03827	8-1/2"	1-1/4"	215JP
10	3	L03827	8-1/2"	1-1/4"	213JP
15	3	L03827	8-1/2"	1-1/4"	215JP

NOTE 1: For an explanation of the tabulated material found on this page and for impeller key location, refer to **Supplement A** located at the beginning of this section.

NOTE 2: Also accepts gasket **S05126** as replacement for O-Ring. See **Supplement E** located at the beginning of this section.



BERKELEY® B1-1/2ZPLS

Bronze Impeller

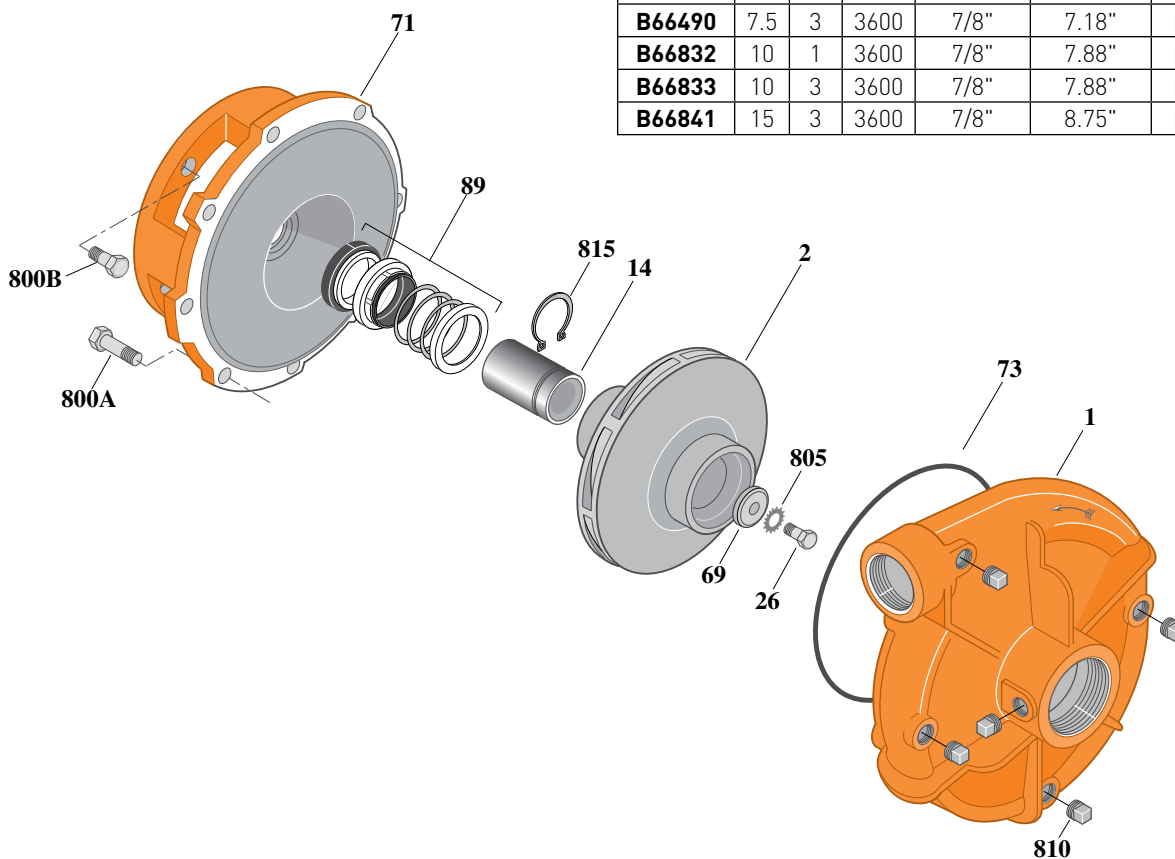
Threaded Case (NPT), Mechanical Shaft Seal Construction

ELECTRIC MOTOR DRIVE

Section	CC
Page	40.5
Date	March 4, 2013
Supersedes 07/01/11	

Table I

B/M No.	HP	PH	RPM	"U" Dim.	Imp. Dia.	Imp. No.
B66489	7.5	1	3600	7/8"	7.18"	L06649
B66490	7.5	3	3600	7/8"	7.18"	L06649
B66832	10	1	3600	7/8"	7.88"	L06609
B66833	10	3	3600	7/8"	7.88"	L06609
B66841	15	3	3600	7/8"	8.75"	L06610



Item No.	Part Description	Part Number
1	Case, Volute	L01025
2	Impeller	See Table I
14	Sleeve, Shaft	S19310L
26	Screw, Impeller 3/8 - 16 x 1"	S23566
32	Key, 3/16 x 1-1/4" [See Note 1]	S34383
69	Washer, Impeller	S06314
71	Bracket	See Table II
73	O-Ring [See Note 2]	M14943
89	Seal, Mechanical Shaft	S32014
800A	Capscrew, 3/8 - 16 x 1" [8 Req.]	S26826
800B	Capscrew, 1/2 - 13 x 1" [4 Req.]	S26912
805	Washer, Lock	S23036
810	Plug, Pipe 1/4 NPT [5 Req.]	S23715
815	Ring, Retaining	S11207

Table II

HP	PH	Bracket No.	"AK" Fit	"U" Dim.	Motor Frame
7.5	1	L05331	8-1/2"	7/8"	213JM
7.5	3	L05332	4-1/2"	7/8"	184JM
10	1	L05331	8-1/2"	7/8"	215JM
10	3	L05331	8-1/2"	7/8"	213JM
15	3	L05331	8-1/2"	7/8"	215JM

NOTE 1: For an explanation of the tabulated material found on this page and for impeller key location, refer to **Supplement A** located at the beginning of this section.

NOTE 2: Also accepts gasket **S05126** as replacement for O-Ring. See **Supplement E** located at the beginning of this section.



BERKELEY® B1-1/2ZPLS Silicon Bronze Impeller

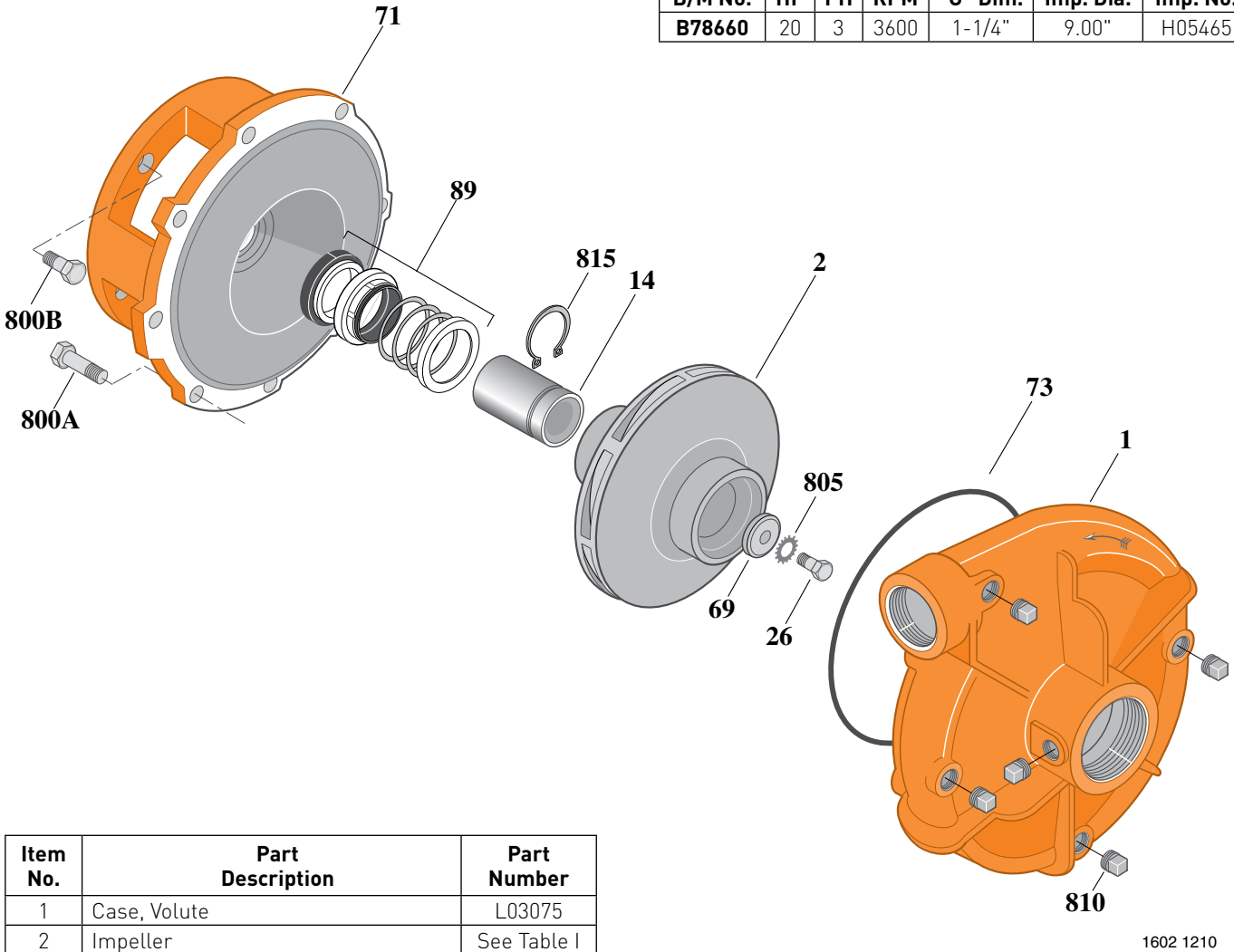
Threaded Case (NPT), Mechanical Shaft Seal Construction

ELECTRIC MOTOR DRIVE

Section	CC
Page	40.6
Date	March 4, 2013
Supersedes 07/01/11	

Table I

B/M No.	HP	PH	RPM	"U" Dim.	Imp. Dia.	Imp. No.
B78660	20	3	3600	1-1/4"	9.00"	H05465



1602 1210

Item No.	Part Description	Part Number
1	Case, Volute	L03075
2	Impeller	See Table I
14	Sleeve, Shaft	S18869L
26	Screw, Impeller 1/2 - 13 x 1"	S23619
32	Key, 1/4 x 2-1/4" [See Note 1]	S23677
69	Washer, Impeller	S06317
71	Bracket	See Table II
73	O-Ring [See Note 2]	M14943
89	Seal, Mechanical Shaft	S32015
800A	Capscrew, 3/8 - 16 x 1-1/8" [8 Req.]	S26827
800B	Capscrew, 1/2 - 13 x 1" [4 Req.]	S26912
805	Washer, Lock	S23038
810	Plug, Pipe 1/4 NPT [5 Req.]	S23715
815	Ring, Retaining	S16767

Table II

HP	PH	Bracket No.	"AK" Fit	"U" Dim.	Motor Frame
20	3	L04615	8-1/2"	1-1/4"	254JM

NOTE 1: For an explanation of the tabulated material found on this page and for impeller key location, refer to **Supplement A** located at the beginning of this section.

NOTE 2: Also accepts gasket **S05126** as replacement for O-Ring. See **Supplement E** located at the beginning of this section.



BERKELEY® B1-1/2ZPL

Silicon Bronze Impeller

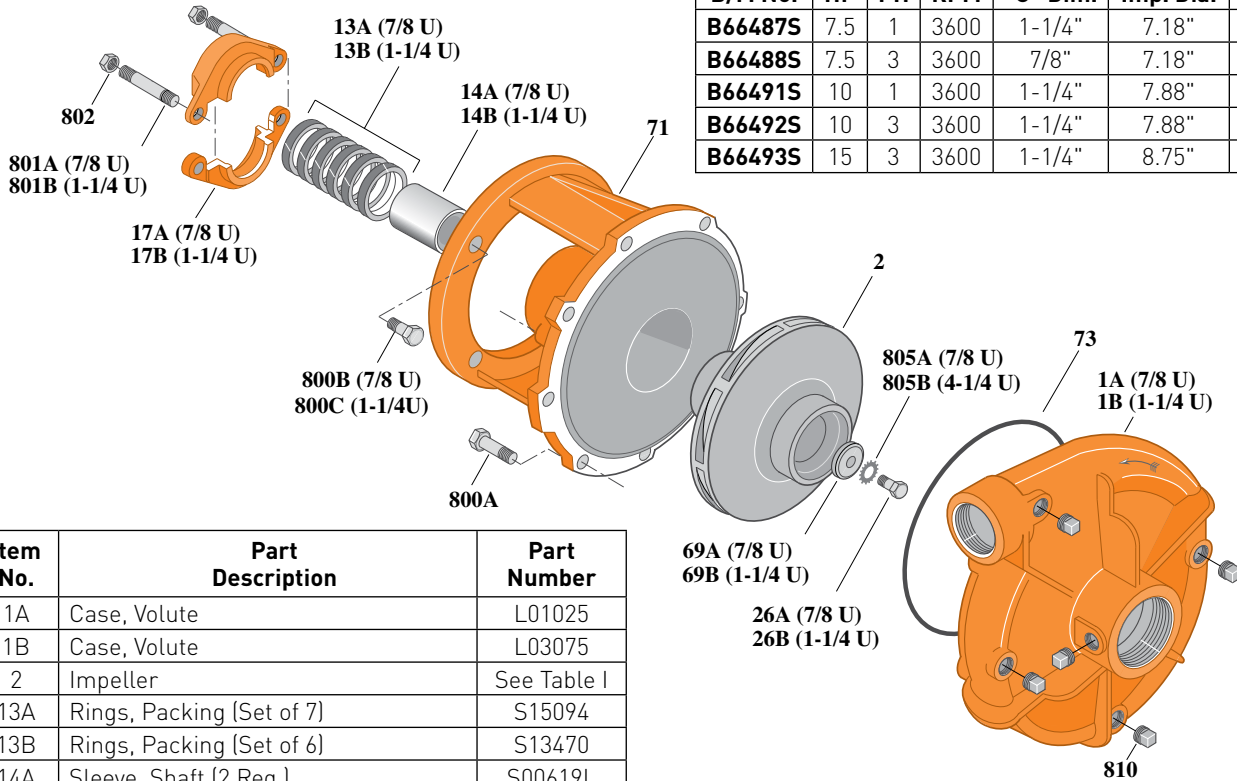
Threaded Case (NPT), Packing Construction

ELECTRIC MOTOR DRIVE

Section	CC
Page	40.7
Date	March 4, 2013
Supersedes 07/01/11	

Table I

B/M No.	HP	PH	RPM	"U" Dim.	Imp. Dia.	Imp. No.
B66487S	7.5	1	3600	1-1/4"	7.18"	H05458
B66488S	7.5	3	3600	7/8"	7.18"	H05459
B66491S	10	1	3600	1-1/4"	7.88"	H05460
B66492S	10	3	3600	1-1/4"	7.88"	H05460
B66493S	15	3	3600	1-1/4"	8.75"	H05461



Item No.	Part Description	Part Number
1A	Case, Volute	L01025
1B	Case, Volute	L03075
2	Impeller	See Table I
13A	Rings, Packing [Set of 7]	S15094
13B	Rings, Packing [Set of 6]	S13470
14A	Sleeve, Shaft [2 Req.]	S00619L
14B	Sleeve, Shaft	S05149L
17A	Gland, Packing	B82469
17B	Gland, Packing	B82470
26A	Screw, Impeller 3/8 - 16 x 1"	S23566
26B	Screw, Impeller 1/2 - 13 x 1"	S23619
32A	Key, 3/16 x 1-1/4" [See Note1]	S34383
32B	Key, 1/4 x 2/14" [See Note1]	S23677
69A	Washer, Impeller	S06314
69B	Washer, Impeller	S06317
71	Bracket	See Table II
73	O-Ring [See Note 2]	M14943
800A	Capscrew, 3/8 - 16 x 1" [8 Req.]	S26826
800B	Capscrew, 3/8 - 16 x 1-1/8" [4 Req.]	S26827
800C	Capscrew, 1/2 - 13 x 1-1/2" [4 Req.]	S26916
801A	Stud, 3/8 - 16 x 3" [2 Req.]	S04439
801B	Stud, 3/8 - 16 x 4" [2 Req.]	S08303
802	Nut, Hex 3/8 - 16 [2 Req.]	S23343
805A	Washer, Lock	S23036
805B	Washer, Lock	S23038
810	Plug, Pipe 1/4" NPT [5 Req.]	S23715

Table II

HP	PH	Bracket No.	"AK" Fit	"U" Dim.	Motor Frame
7.5	1	L03827	8-1/2"	1-1/4"	213JP
7.5	3	H00950	4-1/2"	7/8"	184JP
10	1	L03827	8-1/2"	1-1/4"	215JP
10	3	L03827	8-1/2"	1-1/4"	213JP
15	3	L03827	8-1/2"	1-1/4"	215JP

NOTE 1: For an explanation of the tabulated material found on this page and for impeller key location, refer to **Supplement A** located at the beginning of this section.

NOTE 2: Also accepts gasket **S05126** as replacement for O-Ring. See **Supplement E** located at the beginning of this section.



BERKELEY® B1-1/2ZPLS

Silicon Bronze Impeller

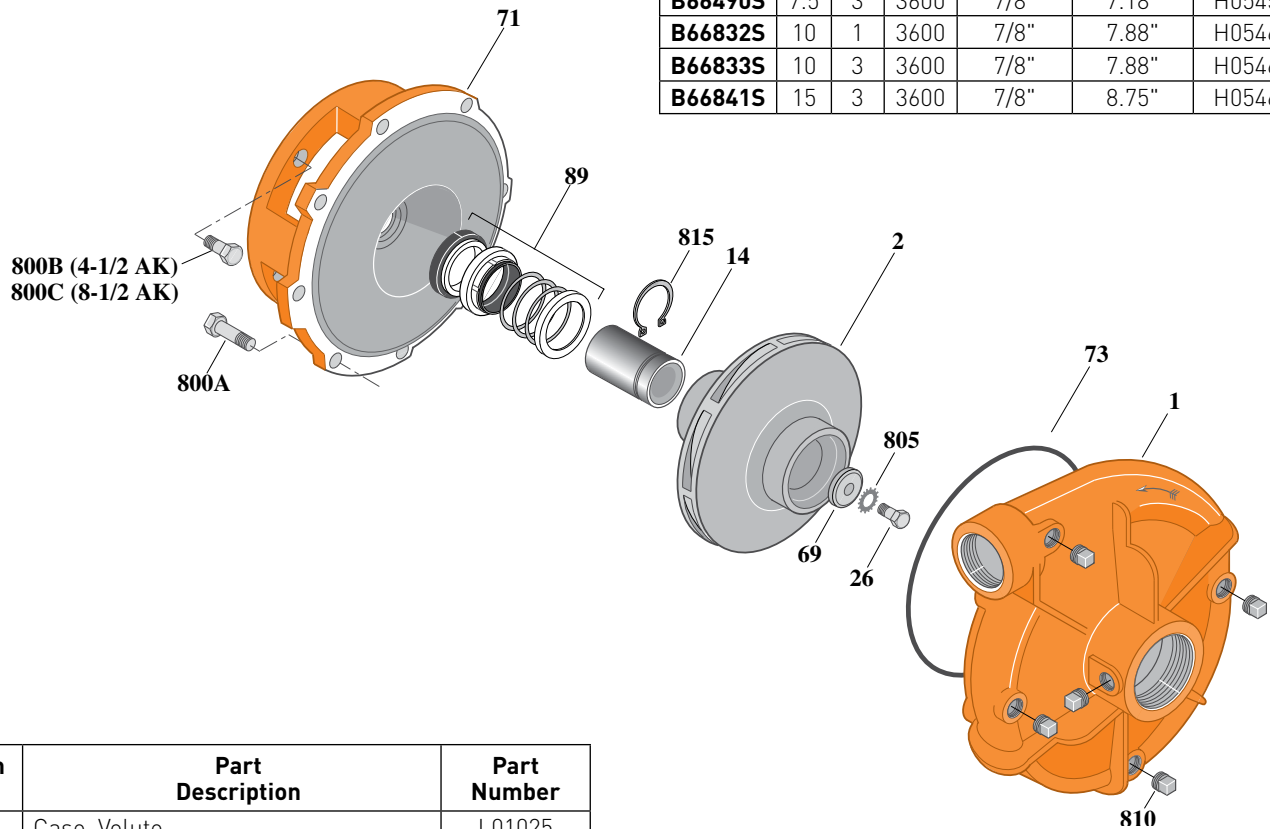
Threaded Case (NPT), Mechanical Shaft Seal Construction

ELECTRIC MOTOR DRIVE

Section	CC
Page	40.8
Date	March 4, 2013
Supersedes 07/01/11	

Table I

B/M No.	HP	PH	RPM	"U" Dim.	Imp. Dia.	Imp. No.
B66489S	7.5	1	3600	7/8"	7.18"	H05459
B66490S	7.5	3	3600	7/8"	7.18"	H05459
B66832S	10	1	3600	7/8"	7.88"	H05463
B66833S	10	3	3600	7/8"	7.88"	H05463
B66841S	15	3	3600	7/8"	8.75"	H05464



Item No.	Part Description	Part Number
1	Case, Volute	L01025
2	Impeller	See Table I
14	Sleeve, Shaft	S19310L
26	Screw, Impeller 3/8 - 16 x 1"	S23566
32	Key, 3/16 x 1-1/4" [See Note 1]	S34383
69	Washer, Impeller	S06314
71	Bracket	See Table II
73	O-Ring [See Note 3]	M14943
89	Seal, Mechanical Shaft	S32014
800A	Capscrew, 3/8 - 16 x 1" [8 Req.]	S26826
800B	Capscrew, 3/8 - 16 x 1" [4 Req.]	S26826
800C	Capscrew, 1/2 - 13 x 1" [4 Req.]	S26912
805	Washer, Lock	S23036
810	Plug, Pipe 1/4" NPT [5 Req.]	S23715
815	Ring, Retaining	S11207
•	Plug, Pipe 1/8" NPT (In Bracket)	S23714

• Not illustrated.

Table II

HP	PH	Bracket No.	"AK" Fit	"U" Dim.	Motor Frame
7.5	1	L05331	8-1/2"	7/8"	213JM
7.5	3	L05332	4-1/2"	7/8"	184JM
10	1	L05331	8-1/2"	7/8"	215JM
10	3	L05331	8-1/2"	7/8"	213JM
15	3	L05331	8-1/2"	7/8"	215JM

NOTE 1: For an explanation of the tabulated material found on this page and for impeller key location, refer to **Supplement A** located at the beginning of this section.

NOTE 2: For seal flush line details, see **Supplement D**.

NOTE 3: Also accepts gasket **S05126** as replacement for O-Ring. See **Supplement E** located at the beginning of this section.



BERKELEY® B1-1/2ZPH

Cast Iron Impeller

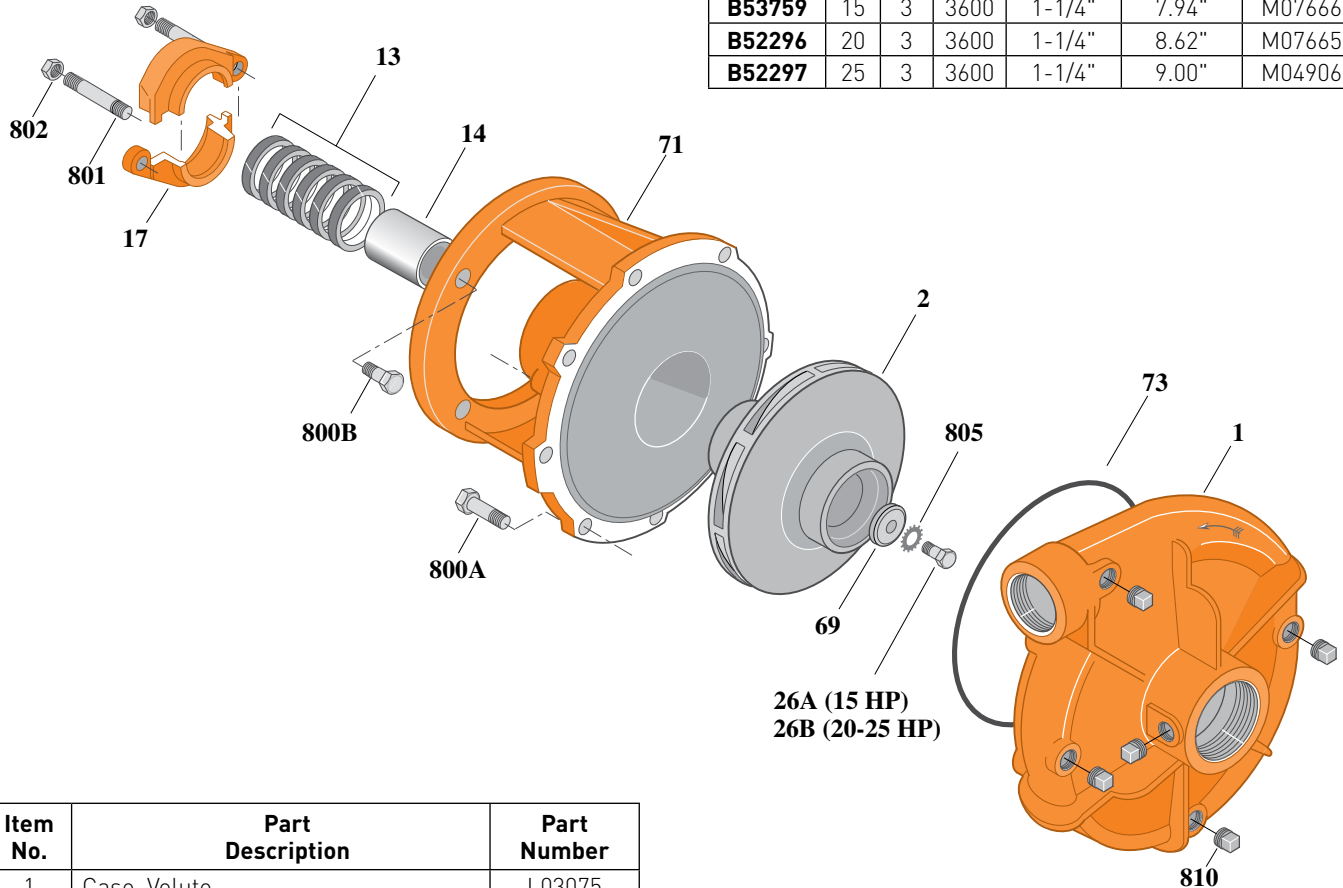
Threaded Case (NPT), Packing Construction

ELECTRIC MOTOR DRIVE

Section	CC
Page	50.1
Date	March 4, 2013
Supersedes 07/01/11	

Table I

B/M No.	HP	PH	RPM	"U" Dim.	Imp. Dia.	Imp. No.
B53759	15	3	3600	1-1/4"	7.94"	M07666
B52296	20	3	3600	1-1/4"	8.62"	M07665
B52297	25	3	3600	1-1/4"	9.00"	M04906



Item No.	Part Description	Part Number
1	Case, Volute	L03075
2	Impeller	See Table I
13	Rings, Packing (Set of 6)	S13470
14	Sleeve, Shaft	S05149L
17	Gland, Packing	B82470
26A	Screw, Impeller 1/2 - 13 x 1-1/2"	S23623
26B	Screw, Impeller 1/2 - 13 x 1-1/4"	S23621
32	Key, 1/4 x 2-1/4" (See Note 1)	S23677
69	Washer, Impeller	S06319
71	Bracket	See Table II
73	O-Ring (See Note 2)	M14943
800A	Capscrew, 3/8 - 16 x 1-1/8" [8 Req.]	S26827
800B	Capscrew, 1/2 - 13 x 1-1/2" [4 Req.]	S26916
801	Stud, 3/8 - 16 x 4" [2 Req.]	S08303
802	Nut, Hex 3/8 - 16 [2 Req.]	S23343
805	Washer, Lock	S23038
810	Plug, Pipe 1/4 NPT [5 Req.]	S23715

Table II

HP	PH	Bracket No.	"AK" Fit	"U" Dim.	Motor Frame
15	3	L03827	8-1/2"	1-1/4"	215JP
20	3	L03827	8-1/2"	1-1/4"	254JP
25	3	L03827	8-1/2 "	1-1/4"	256JP

NOTE 1: For an explanation of the tabulated material found on this page and for impeller key location, refer to **Supplement A** located at the beginning of this section.

NOTE 2: Also accepts gasket **S05126** as replacement for O-Ring. See **Supplement E** located at the beginning of this section.



BERKELEY® B1-1/2ZPHS

Cast Iron Impeller

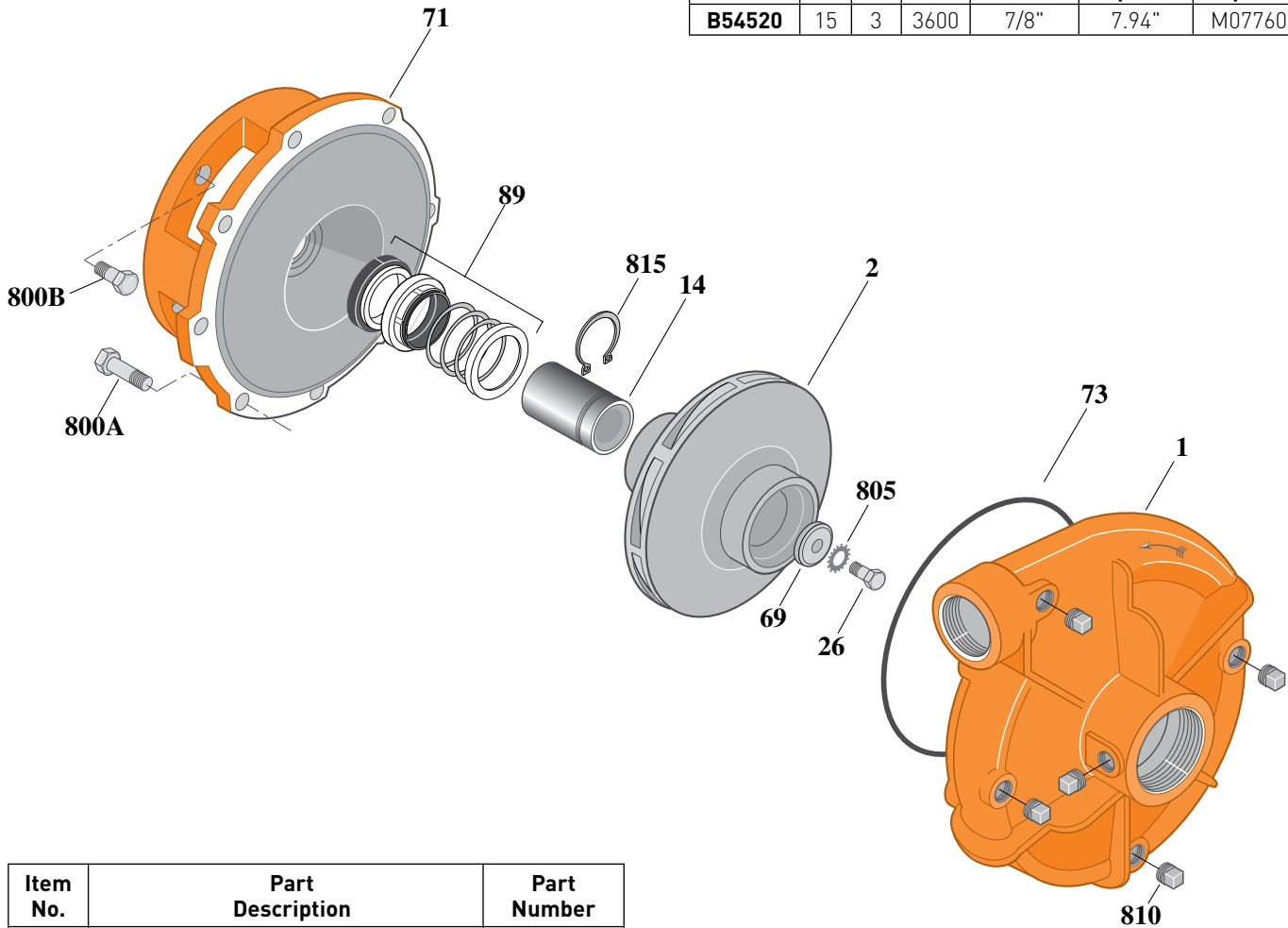
Threaded Case (NPT), Mechanical Shaft Seal Construction

ELECTRIC MOTOR DRIVE

Section	CC
Page	50.2
Date	March 4, 2013
Supersedes 07/01/11	

Table I

B/M No.	HP	PH	RPM	"U" Dim.	Imp. Dia.	Imp. No.
B54520	15	3	3600	7/8"	7.94"	M07760



1496 1210

Item No.	Part Description	Part Number
1	Case, Volute	L03075
2	Impeller	See Table I
14	Sleeve, Shaft	S19310L
26	Screw, Impeller 3/8 - 16 x 1"	S23566
32	Key, 3/16 x 1-1/4" [See Note 1]	S34383
69	Washer, Impeller	S06314
71	Bracket	See Table II
73	O-Ring [See Note 2]	M14943
89	Seal, Mechanical Shaft	S32014
800A	Cap screw, 3/8 - 16 x 1-1/8" [8 Req.]	S26827
800B	Cap screw, 1/2 - 13 x 1" [4 Req.]	S26912
805	Washer, Lock	S23036
810	Plug, Pipe 1/4 NPT [5 Req.]	S23715
815	Ring, Retaining	S11207

Table II

HP	PH	Bracket No.	"AK" Fit	"U" Dim.	Motor Frame
15	3	L05331	8-1/2"	7/8"	215JM

NOTE 1: For an explanation of the tabulated material found on this page and for impeller key location, refer to **Supplement A** located at the beginning of this section.

NOTE 2: Also accepts gasket **S05126** as replacement for O-Ring. See **Supplement E** located at the beginning of this section.



BERKELEY® B1-1/2ZPHS

Cast Iron Impeller

Threaded Case (NPT), Mechanical Shaft Seal Construction

ELECTRIC MOTOR DRIVE

Section	CC
Page	50.3
Date	March 4, 2013
Supersedes 07/01/11	

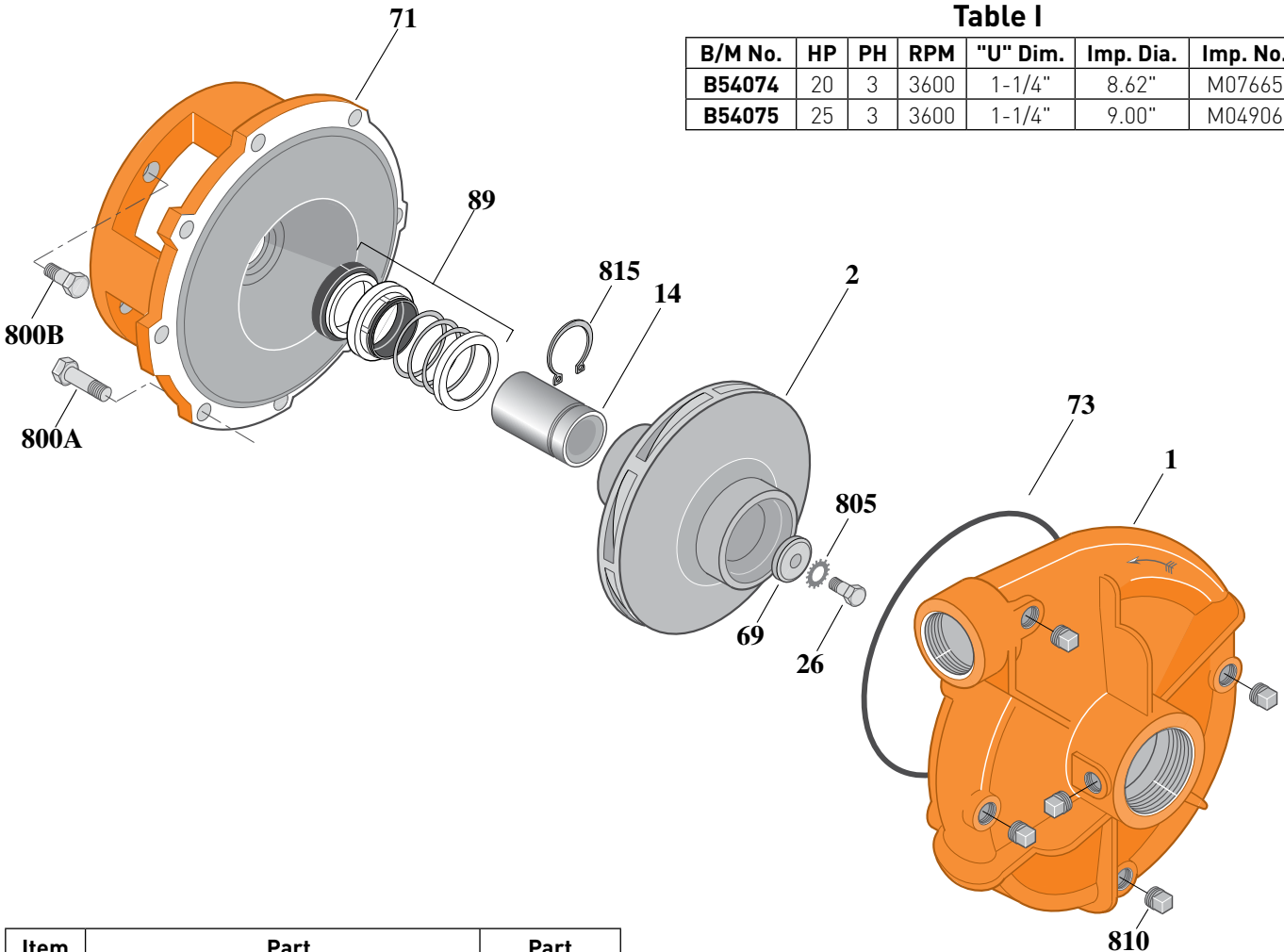


Table I

B/M No.	HP	PH	RPM	"U" Dim.	Imp. Dia.	Imp. No.
B54074	20	3	3600	1-1/4"	8.62"	M07665
B54075	25	3	3600	1-1/4"	9.00"	M04906

Item No.	Part Description	Part Number
1	Case, Volute	L03075
2	Impeller	See Table I
14	Sleeve, Shaft	S18869L
26	Screw, Impeller 1/2 - 13 x 1-1/4"	S23621
32	Key, 1/4 x 2-1/4" [See Note 1]	S23677
69	Washer, Impeller	S06319
71	Bracket	See Table II
73	O-Ring [See Note 2]	M14943
89	Seal, Mechanical Shaft	S32015
800A	Capscrew, 3/8 - 16 x 1-1/8" [8 Req.]	S26827
800B	Capscrew, 1/2 - 13 x 1" [4 Req.]	S26912
805	Washer, Lock	S23038
810	Plug, Pipe 1/4 NPT [5 Req.]	S23715
815	Ring, Retaining	S16767

Table II

HP	PH	Bracket No.	"AK" Fit	"U" Dim.	Motor Frame
20	3	L04615	8-1/2"	1-1/4"	254JM
25	3	L04615	8-1/2"	1-1/4"	256JM

NOTE 1: For an explanation of the tabulated material found on this page and for impeller key location, refer to **Supplement A** located at the beginning of this section.

NOTE 2: Also accepts gasket **S05126** as replacement for O-Ring. See **Supplement E** located at the beginning of this section.



BERKELEY® B1-1/2ZPH

Silicon Bronze Impeller

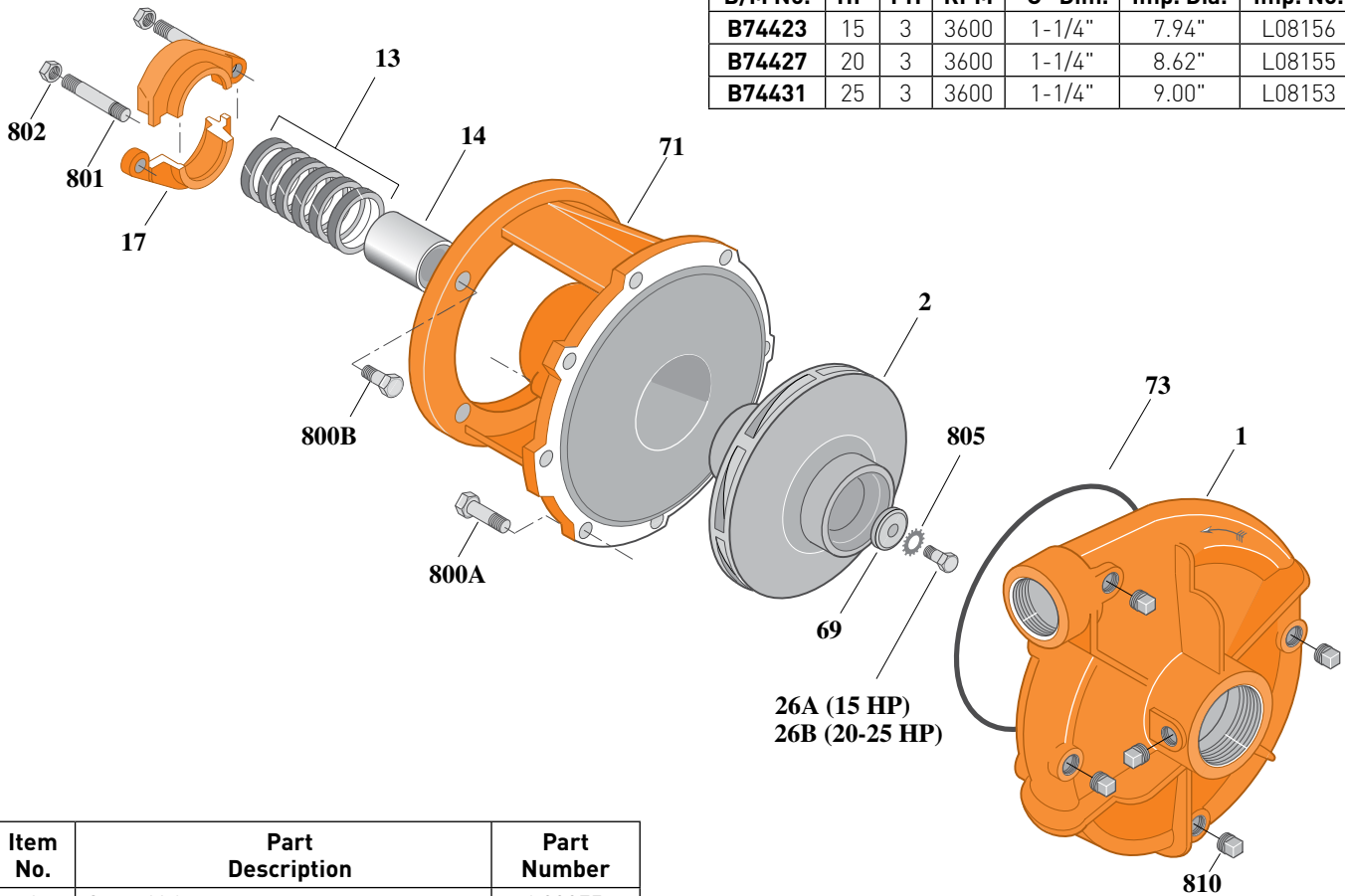
Threaded Case (NPT), Packing Construction

ELECTRIC MOTOR DRIVE

Section	CC
Page	50.5
Date	March 4, 2013
Supersedes 07/01/11	

Table I

B/M No.	HP	PH	RPM	"U" Dim.	Imp. Dia.	Imp. No.
B74423	15	3	3600	1-1/4"	7.94"	L08156
B74427	20	3	3600	1-1/4"	8.62"	L08155
B74431	25	3	3600	1-1/4"	9.00"	L08153



1742 1210

Item No.	Part Description	Part Number
1	Case, Volute	L03075
2	Impeller	See Table I
13	Rings, Packing (Set of 6)	S13470
14	Sleeve, Shaft	S05149L
17	Gland, Packing	B82470
26A	Screw, Impeller 1/2 - 13 x 1-1/2"	S23623
26B	Screw, Impeller 1/2 - 13 x 1-1/4"	S23621
32	Key, 1/4 x 2-1/4" (See Note 1)	S23677
69	Washer, Impeller	S06319
71	Bracket	See Table II
73	O-Ring (See Note 2)	M14943
800A	Capscrew, 3/8 - 16 x 1-1/8" [8 Req.]	S26827
800B	Capscrew, 1/2 - 13 x 1-1/2" [4 Req.]	S26916
801	Stud, 3/8 - 16 x 4" [2 Req.]	S08303
802	Nut, Hex 3/8 - 16 [2 Req.]	S23343
805	Washer, Lock	S23038
810	Plug, Pipe 1/4" NPT [5 Req.]	S23715

Table II

HP	PH	Bracket No.	"AK" Fit	"U" Dim.	Motor Frame
15	3	L03827	8-1/2"	1-1/4"	215JP
20	3	L03827	8-1/2"	1-1/4"	254JP
25	3	L03827	8-1/2"	1-1/4"	256JP

NOTE 1: For an explanation of the tabulated material found on this page and for impeller key location, refer to **Supplement A** located at the beginning of this section.

NOTE 2: Also accepts gasket **S05126** as replacement for O-Ring. See **Supplement E** located at the beginning of this section.



BERKELEY® B1-1/2ZPHS

Silicon Bronze Impeller

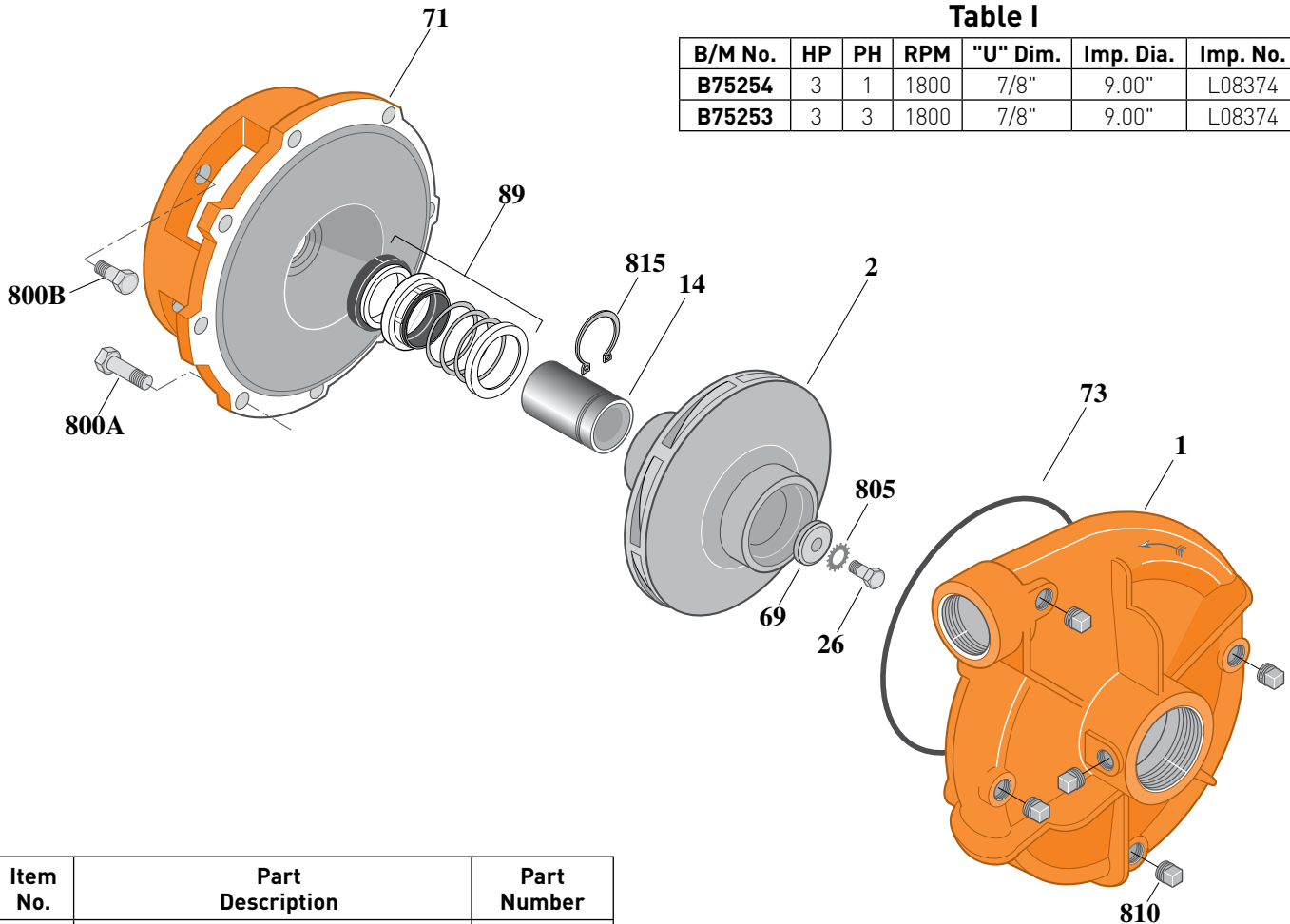
Threaded Case (NPT), Mechanical Shaft Seal Construction

ELECTRIC MOTOR DRIVE

Section	CC
Page	50.6
Date	March 4, 2013
Supersedes 07/01/11	

Table I

B/M No.	HP	PH	RPM	"U" Dim.	Imp. Dia.	Imp. No.
B75254	3	1	1800	7/8"	9.00"	L08374
B75253	3	3	1800	7/8"	9.00"	L08374



1496 1210

Item No.	Part Description	Part Number
1	Case, Volute	L03075
2	Impeller	See Table I
14	Sleeve, Shaft	S19310L
26	Screw, Impeller 3/8 - 16 x 1"	S23566
32	Key, 3/16 x 1-1/4" [See Note 1]	S34383
69	Washer, Impeller	S06314
71	Bracket	See Table II
73	O-Ring [See Note 3]	M14943
89	Seal, Mechanical Shaft	S32014
800A	Capscrew, 3/8 - 16 x 1-1/8" [8 Req.]	S26827
800B	Capscrew, 3/8 - 16 x 1" [4 Req.]	S26826
805	Washer, Lock	S23036
810	Plug, Pipe 1/4" NPT [5 Req.]	S23715
815	Ring, Retaining	S11207
•	Plug, Pipe 1/8" NPT (In Bracket)	S23714

• Not illustrated.

Table II

HP	PH	Bracket No.	"AK" Fit	"U" Dim.	Motor Frame
3	1	L05332	4-1/2"	7/8"	184JM
3	3	L05332	4-1/2"	7/8"	182JM

NOTE 1: For an explanation of the tabulated material found on this page and for impeller key location, refer to **Supplement A** located at the beginning of this section.

NOTE 2: For seal flush line details, see **Supplement D**.

NOTE 3: Also accepts gasket **S05126** as replacement for O-Ring. See **Supplement E** located at the beginning of this section.



BERKELEY® B1-1/2ZPHS Silicon Bronze Impeller

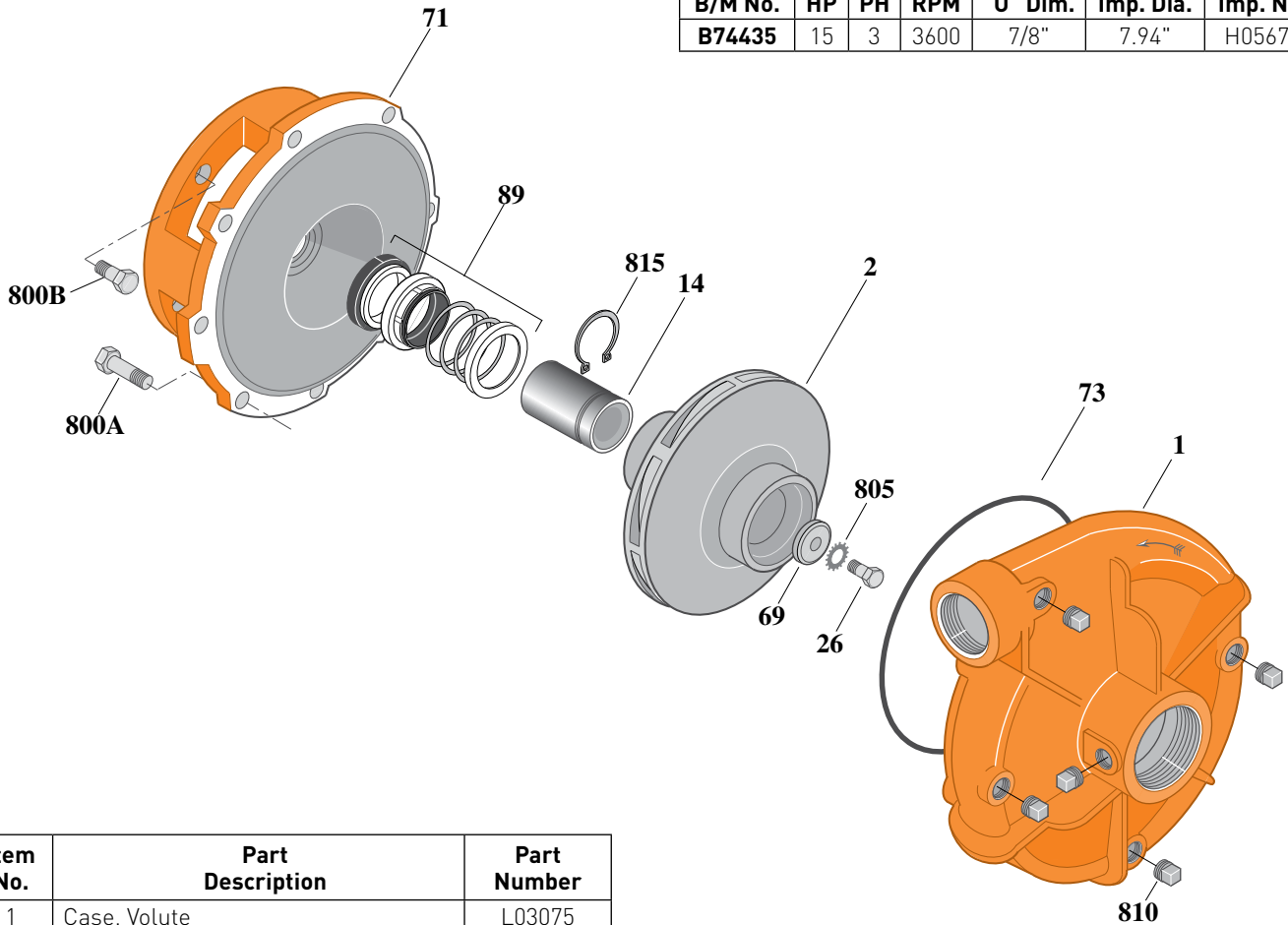
Threaded Case (NPT), Mechanical Shaft Seal Construction

ELECTRIC MOTOR DRIVE

Section	CC
Page	50.7
Date	March 4, 2013
Supersedes 07/01/11	

Table I

B/M No.	HP	PH	RPM	"U" Dim.	Imp. Dia.	Imp. No.
B74435	15	3	3600	7/8"	7.94"	H05679



Item No.	Part Description	Part Number
1	Case, Volute	L03075
2	Impeller	See Table I
14	Sleeve, Shaft	S19310L
26	Screw, Impeller 3/8 - 16 x 1"	S23566
32	Key, 3/16 x 1-1/4" [See Note]	S34383
69	Washer, Impeller	S06314
71	Bracket	See Table II
73	Gasket, Volute	S05126
89	Seal, Mechanical Shaft	S32014
800A	Capscrew, 3/8 - 16 x 1-1/8" (8 Req.)	S26827
800B	Capscrew, 1/2 - 13 x 1" (4 Req.)	S26912
805	Washer, Lock	S23036
810	Plug, Pipe 1/4" NPT (5 Req.)	S23715
815	Ring, Retaining	S11207
•	Plug, Pipe 1/8" NPT (In Bracket)	S23714

• Not illustrated.

Table II

HP	PH	Bracket No.	"AK" Fit	"U" Dim.	Motor Frame
15	3	L05331	8-1/2"	7/8"	215JM

NOTE 1: For an explanation of the tabulated material found on this page and for impeller key location, refer to **Supplement A** located at the beginning of this section.

NOTE 2: For seal flush line details, see **Supplement D**.

NOTE 3: Also accepts gasket **S05126** as replacement for O-Ring. See **Supplement E** located at the beginning of this section.



BERKELEY® B1-1/2ZPHS

Silicon Bronze Impeller

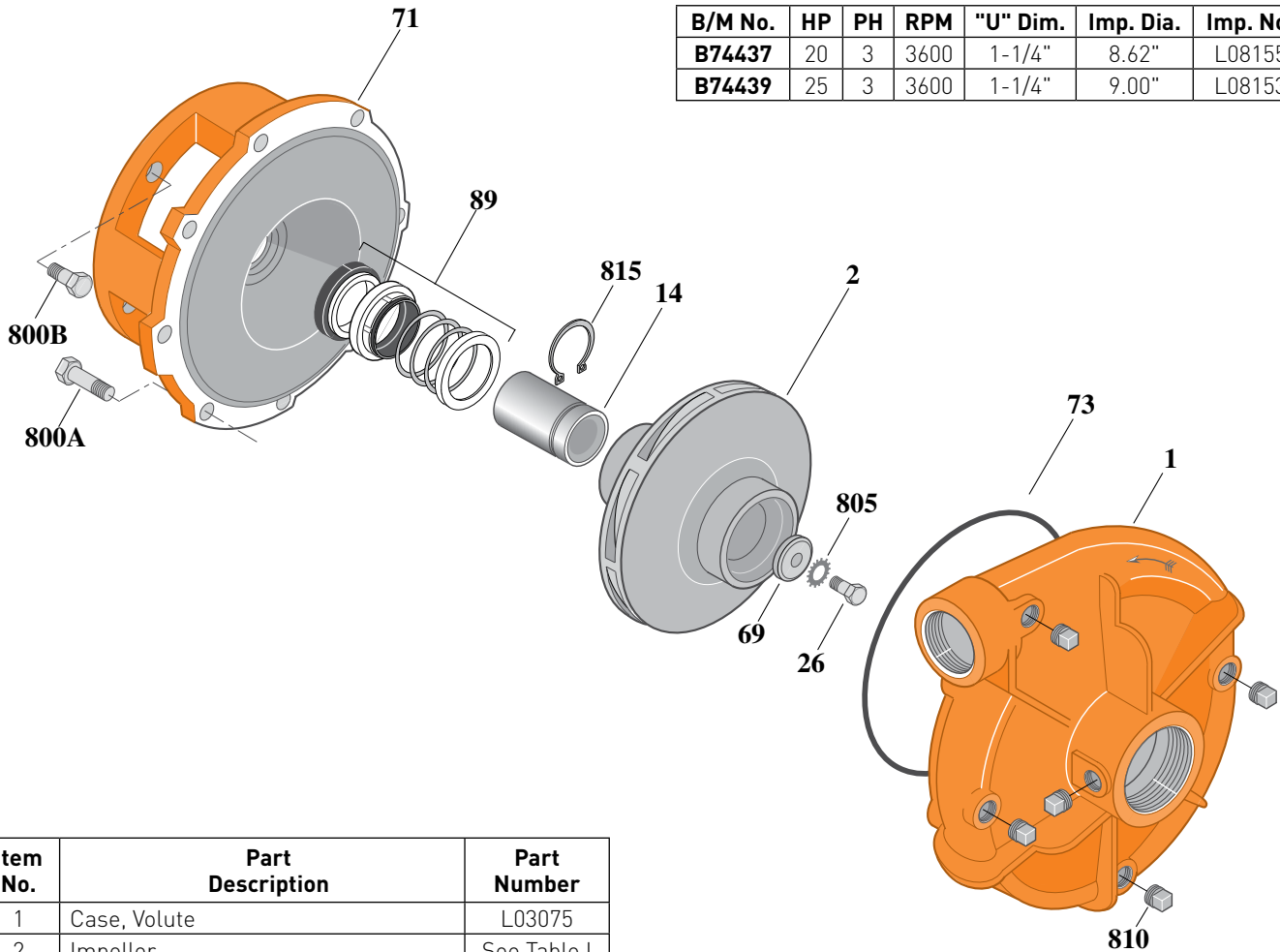
Threaded Case (NPT), Mechanical Shaft Seal Construction

ELECTRIC MOTOR DRIVE

Section	CC
Page	50.8
Date	March 4, 2013
Supersedes 07/01/11	

Table I

B/M No.	HP	PH	RPM	"U" Dim.	Imp. Dia.	Imp. No.
B74437	20	3	3600	1-1/4"	8.62"	L08155
B74439	25	3	3600	1-1/4"	9.00"	L08153



Item No.	Part Description	Part Number
1	Case, Volute	L03075
2	Impeller	See Table I
14	Sleeve, Shaft	S18869L
26	Screw, Impeller 1/2 - 13 x 1-1/4"	S23621
32	Key, 1/4 x 2-1/4" (See Note 1)	S23677
69	Washer, Impeller	S06319
71	Bracket	See Table II
73	O-Ring (See Note 3)	M14943
89	Seal, Mechanical Shaft	S32015
800A	Capscrew, 3/8 - 16 x 1-1/8" (8 Req.)	S26827
800B	Capscrew, 1/2 - 13 x 1" (4 Req.)	S26912
805	Washer, Lock	S23038
810	Plug, Pipe 1/4" NPT (5 Req.)	S23715
815	Ring, Retaining	S16767
•	Plug, Pipe 1/8" NPT (In Bracket)	S23714

• Not illustrated.

Table II

HP	PH	Bracket No.	"AK" Fit	"U" Dim.	Motor Frame
20	3	L04615	8-1/2"	1-1/4"	254JM
25	3	L04615	8-1/2"	1-1/4"	256JM

NOTE 1: For an explanation of the tabulated material found on this page and for impeller key location, refer to **Supplement A** located at the beginning of this section.

NOTE 2: For seal flush line details, see **Supplement D**.

NOTE 3: Also accepts gasket **S05126** as replacement for O-Ring. See **Supplement E** located at the beginning of this section.



BERKELEY® B1-1/2EPL

Silicon Bronze Impeller

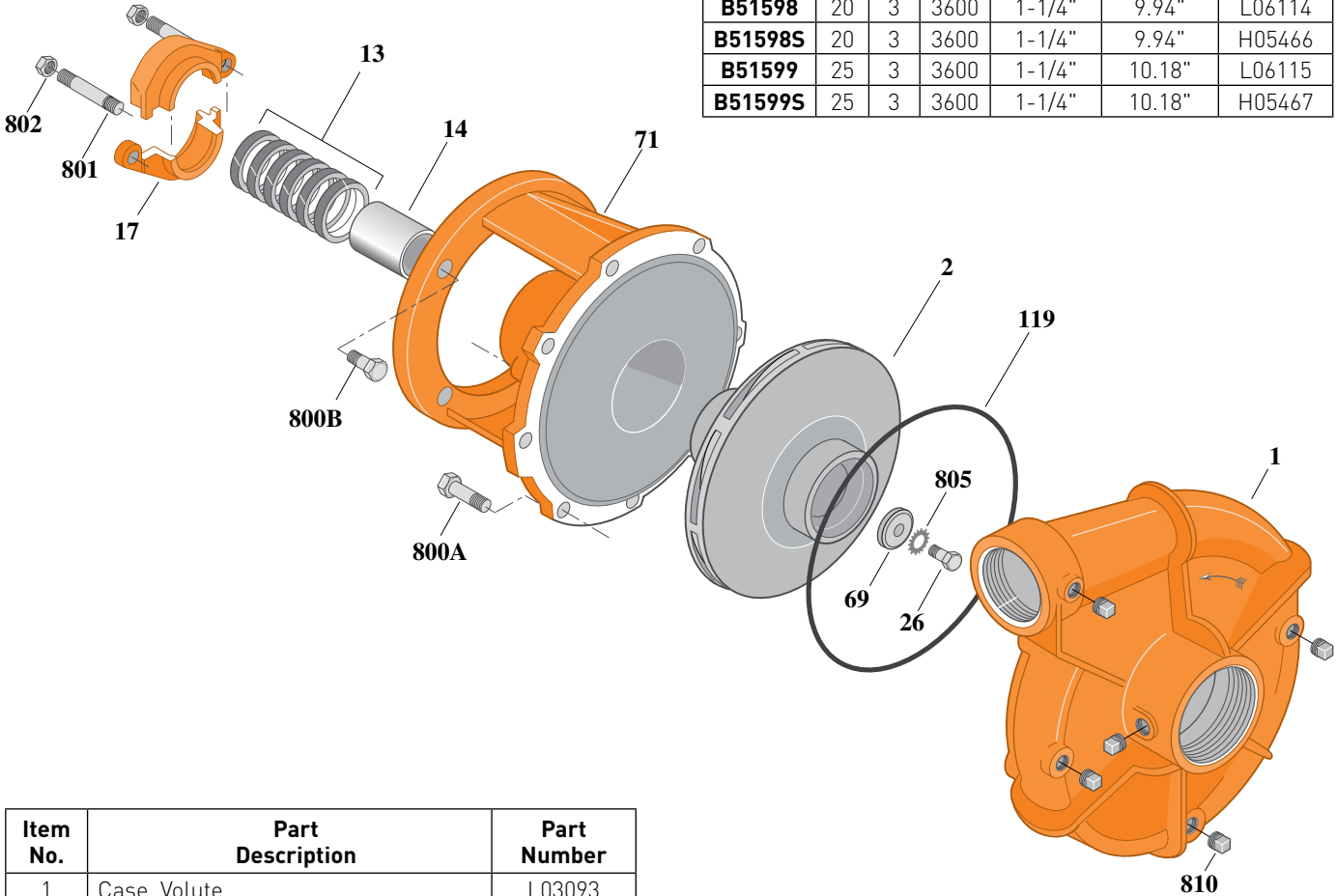
Threaded Case (NPT), Packing Construction

ELECTRIC MOTOR DRIVE

Section	CC
Page	60.1
Date	March 4, 2013
Supersedes 01/01/04	

Table I

B/M No.	HP	PH	RPM	"U" Dim.	Imp. Dia.	Imp. No.
B51598	20	3	3600	1-1/4"	9.94"	L06114
B51598S	20	3	3600	1-1/4"	9.94"	H05466
B51599	25	3	3600	1-1/4"	10.18"	L06115
B51599S	25	3	3600	1-1/4"	10.18"	H05467



1790 0595

Item No.	Part Description	Part Number
1	Case, Volute	L03093
2	Impeller	See Table I
13	Rings, Packing (Set of 6)	S13470
14	Sleeve, Shaft	S05149
17	Gland, Packing	B82470
26	Screw, Impeller 1/2 - 13 x 1"	S23619
32	Key, 1/4 x 2-1/4" (See Note)	S23677
69	Washer, Impeller	S12475
71	Bracket	See Table II
119	O-Ring	S13760
800A	Capscrew, 1/2 - 13 x 1-1/4" [4 Req.]	S26914
800B	Capscrew, 1/2 - 13 x 1" [8 Req.]	S26912
801	Stud, 3/8 - 16 x 2-1/2" [2 Req.]	S04438
802	Nut, Hex 3/8 - 16 [2 Req.]	S23343
805	Washer, Lock	S23038
810	Plug, Pipe 1/4 NPT [5 Req.]	S23715

Table II

HP	PH	Bracket No.	"AK" Fit	"U" Dim.	Motor Frame
20	3	L03637	8-1/2"	1-1/4"	254JP
25	3	L03637	8-1/2"	1-1/4"	256JP

NOTE: For an explanation of the tabulated material found on this page and for impeller key location, refer to **Supplement A** located at the beginning of this section.



BERKELEY® B1-1/2EPLS

Bronze Impeller

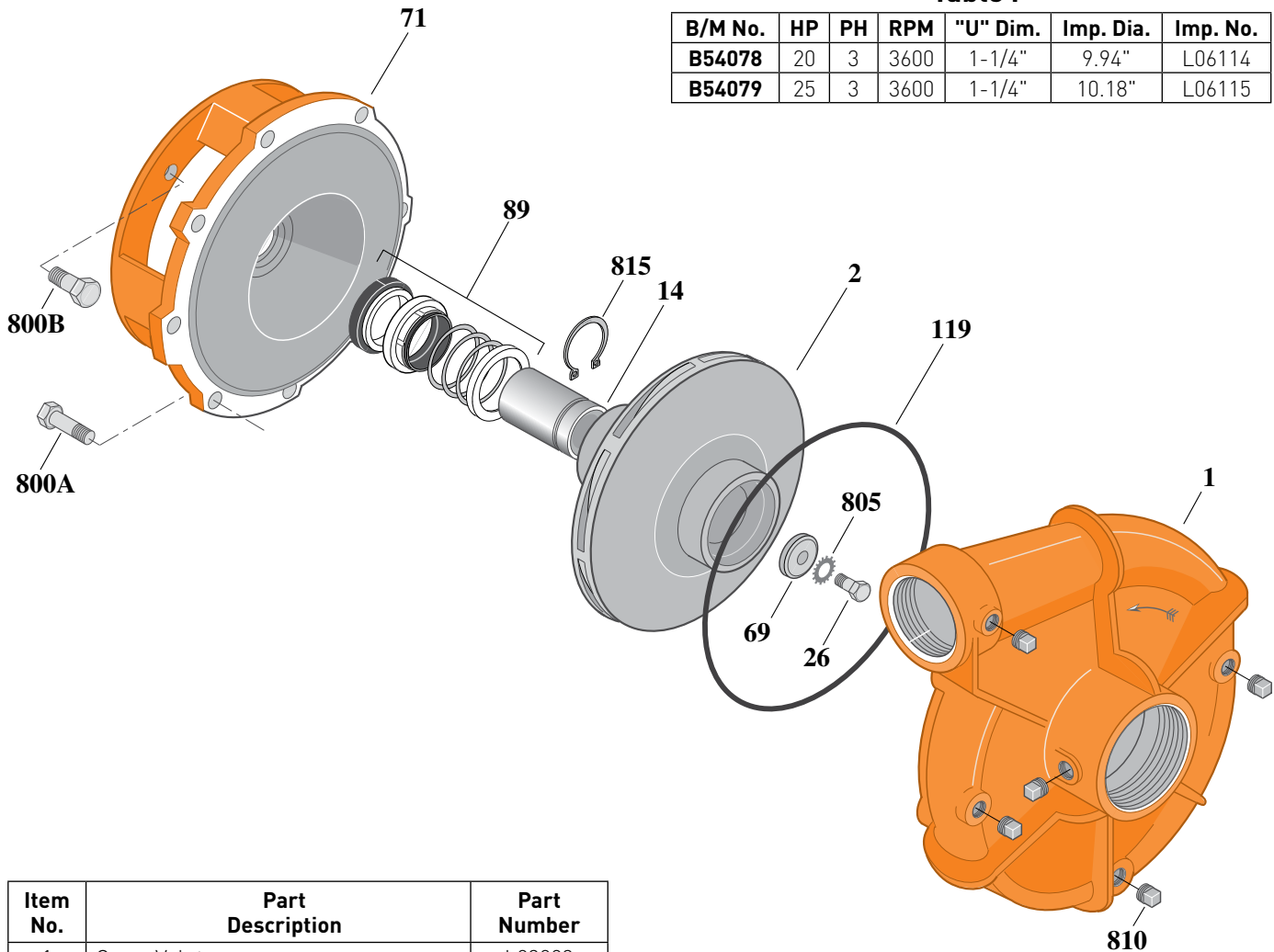
Threaded Case (NPT), Mechanical Shaft Seal Construction

ELECTRIC MOTOR DRIVE

Section	CC
Page	60.2
Date	March 4, 2013
Supersedes 01/01/04	

Table I

B/M No.	HP	PH	RPM	"U" Dim.	Imp. Dia.	Imp. No.
B54078	20	3	3600	1-1/4"	9.94"	L06114
B54079	25	3	3600	1-1/4"	10.18"	L06115



1711 0295

Item No.	Part Description	Part Number
1	Case, Volute	L03093
2	Impeller	See Table I
14	Sleeve, Shaft	S18869
26	Screw, Impeller 1/2 - 13 x 1"	S23619
32	Key, 1/4 x 2-1/4" (See Note)	S23677
69	Washer, Impeller	S12475
71	Bracket	See Table II
89	Seal, Mechanical Shaft	S32015
119	O-Ring	S13760
800A	Capscrew, 1/2 - 13 x 1-1/4" [8 Req.]	S26914
800B	Capscrew, 1/2 - 13 x 1" [4 Req.]	S26912
805	Washer, Lock	S23038
810	Plug, Pipe [5 Req.]	S23715
815	Ring, Retaining	S16767

Table II

HP	PH	Bracket No.	"AK" Fit	"U" Dim.	Motor Frame
20	3	L04616	8-1/2"	1-1/4"	254JM
25	3	L04616	8-1/2"	1-1/4"	256JM

NOTE: For an explanation of the tabulated material found on this page and for impeller key location, refer to **Supplement A** located at the beginning of this section.



BERKELEY® B1-1/2EPL

Silicon Bronze Impeller

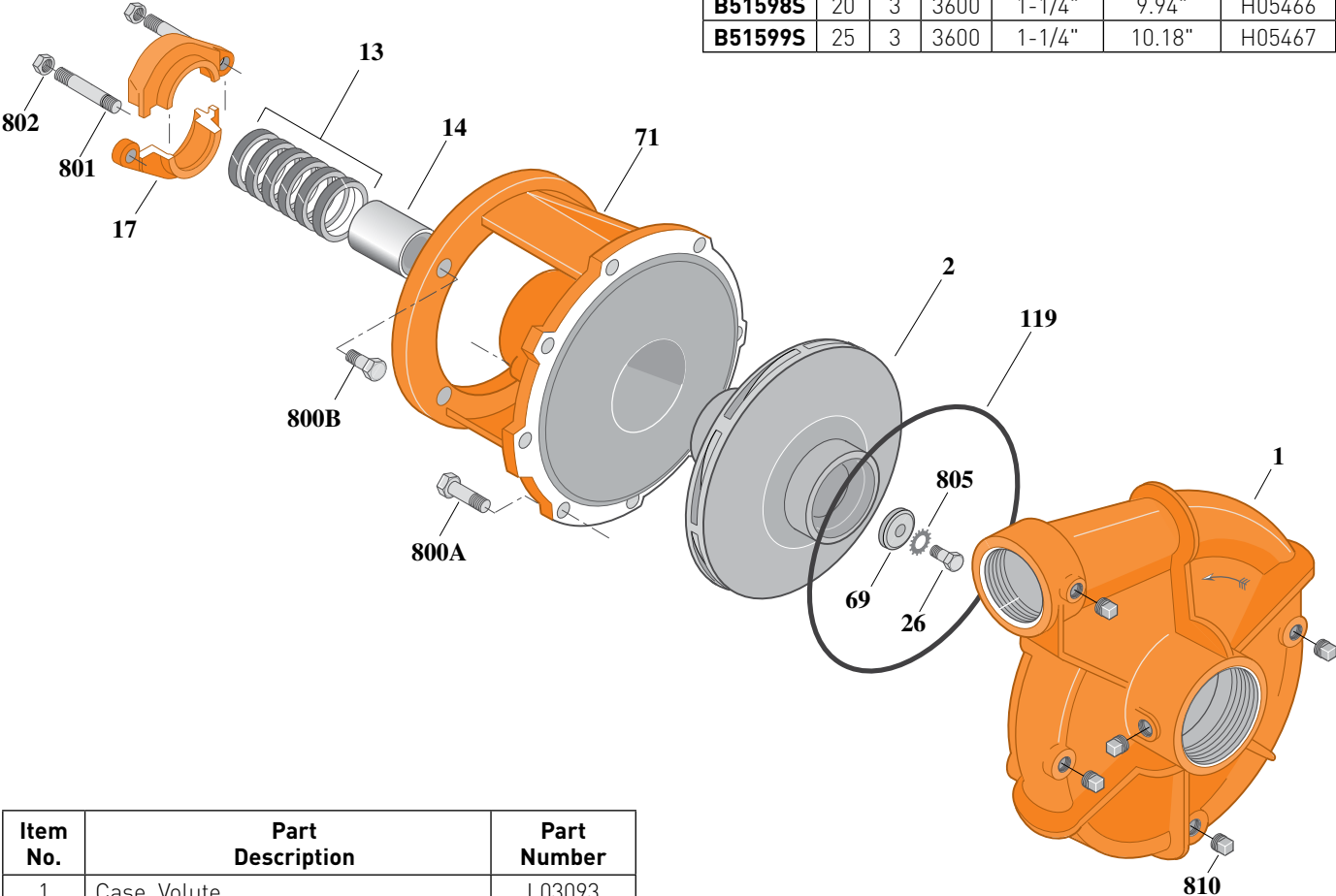
Threaded Case (NPT), Packing Construction

ELECTRIC MOTOR DRIVE

Section	CC
Page	60.3
Date	March 4, 2013
Supersedes 09/01/97	

Table I

B/M No.	HP	PH	RPM	"U" Dim.	Imp. Dia.	Imp. No.
B51598S	20	3	3600	1-1/4"	9.94"	H05466
B51599S	25	3	3600	1-1/4"	10.18"	H05467



1790 0595

Item No.	Part Description	Part Number
1	Case, Volute	L03093
2	Impeller	See Table I
13	Rings, Packing (Set of 6)	S13470
14	Sleeve, Shaft	S05149
17	Gland, Packing	S12034
26	Screw, Impeller 1/2 - 13 x 1"	S23619
32	Key, 1/4 x 2-1/4" (See Note)	S23677
69	Washer, Impeller	S12475
71	Bracket	See Table II
119	O-Ring	S13760
800A	Capscrew, 1/2 - 13 x 1-1/4" [8 Req.]	S26914
800B	Capscrew, 1/2 - 13 x 1-1/2" [4 Req.]	S26916
801	Stud, 3/8 - 16 x 2-1/2" [2 Req.]	S04438
802	Nut, Hex 3/8 - 16 [2 Req.]	S23343
805	Washer, Lock	S23038
810	Plug, Pipe 1/4" NPT [6 Req.]	S23715

Table II

HP	PH	Bracket No.	"AK" Fit	"U" Dim.	Motor Frame
20	3	L03637	8-1/2"	1-1/4"	254JP
25	3	L03637	8-1/2"	1-1/4"	256JP

NOTE: For an explanation of the tabulated material found on this page and for impeller key location, refer to **Supplement A** located at the beginning of this section.



BERKELEY® B1-1/2EPLS

Silicon Bronze Impeller

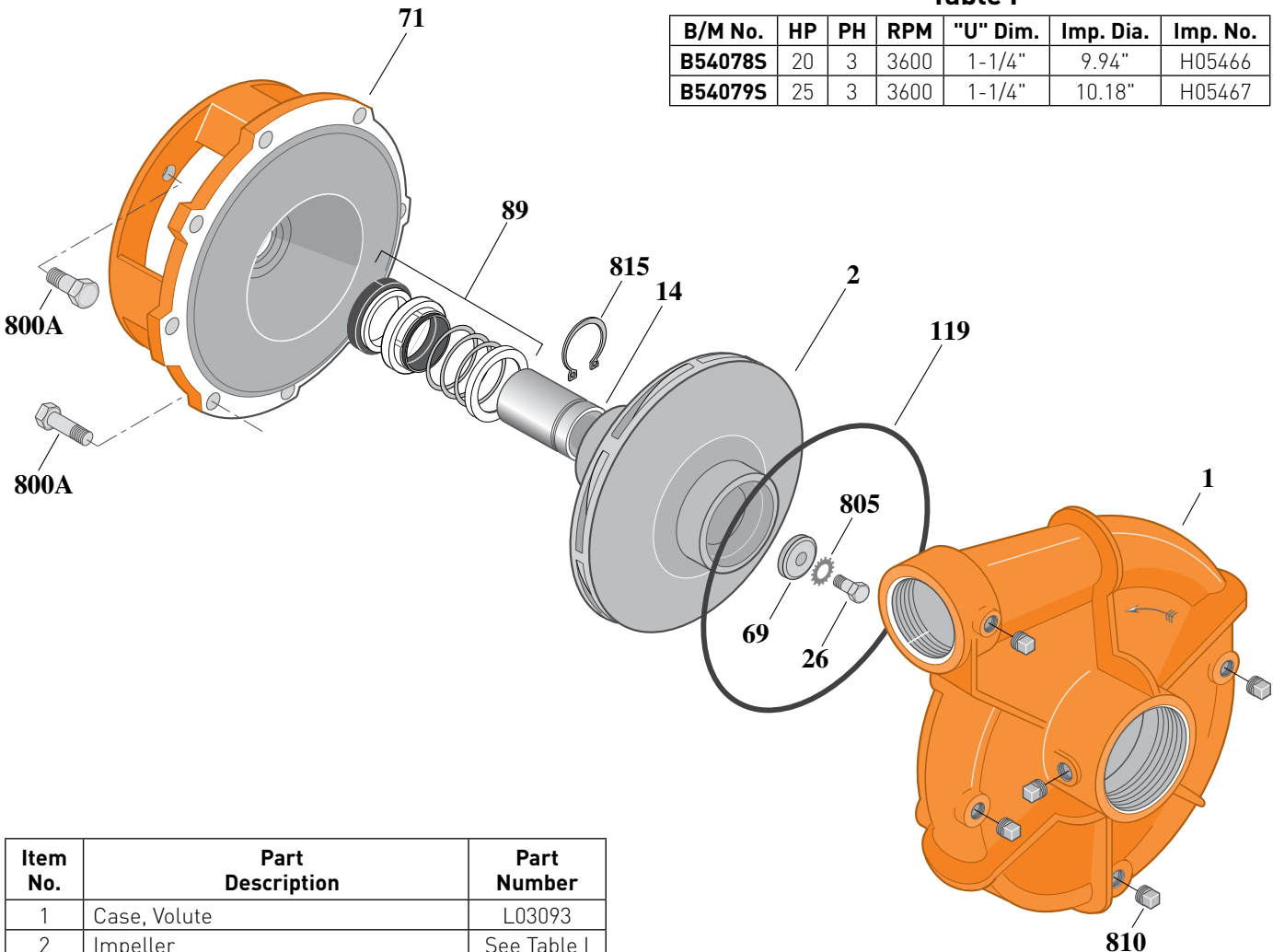
Threaded Case (NPT), Mechanical Shaft Seal Construction

ELECTRIC MOTOR DRIVE

Section	CC
Page	60.4
Date	March 4, 2013
Supersedes 01/01/04	

Table I

B/M No.	HP	PH	RPM	"U" Dim.	Imp. Dia.	Imp. No.
B54078S	20	3	3600	1-1/4"	9.94"	H05466
B54079S	25	3	3600	1-1/4"	10.18"	H05467



1711 0295 A

Item No.	Part Description	Part Number
1	Case, Volute	L03093
2	Impeller	See Table I
14	Sleeve, Shaft	S18869
26	Screw, Impeller 1/2 - 13 x 1"	S23619
32	Key, 1/4 x 2-1/4" (See Note)	S23677
69	Washer, Impeller	S12475
71	Bracket	See Table II
89	Seal, Mechanical Shaft	S32015
119	O-Ring	S13760
800A	Capscrew, 1/2 - 13 x 1-1/4" (12 Req.)	S26912
805	Washer, Lock	S23038
810	Plug, Pipe 1/4" NPT (6 Req.)	S23715
815	Ring, Retaining	S16767
•	Plug, Pipe 1/8" NPT (In Bracket)	S23714

• Not illustrated.

Table II

HP	PH	Bracket No.	"AK" Fit	"U" Dim.	Motor Frame
20	3	L04616	8-1/2"	1-1/4"	254JM
25	3	L04616	8-1/2"	1-1/4"	256JM

NOTE 1: For an explanation of the tabulated material found on this page and for impeller key location, refer to **Supplement A** located at the beginning of this section.

NOTE 2: For seal flush line details, see **Supplement D**.



BERKELEY® B2TPM

Cast Iron Impeller

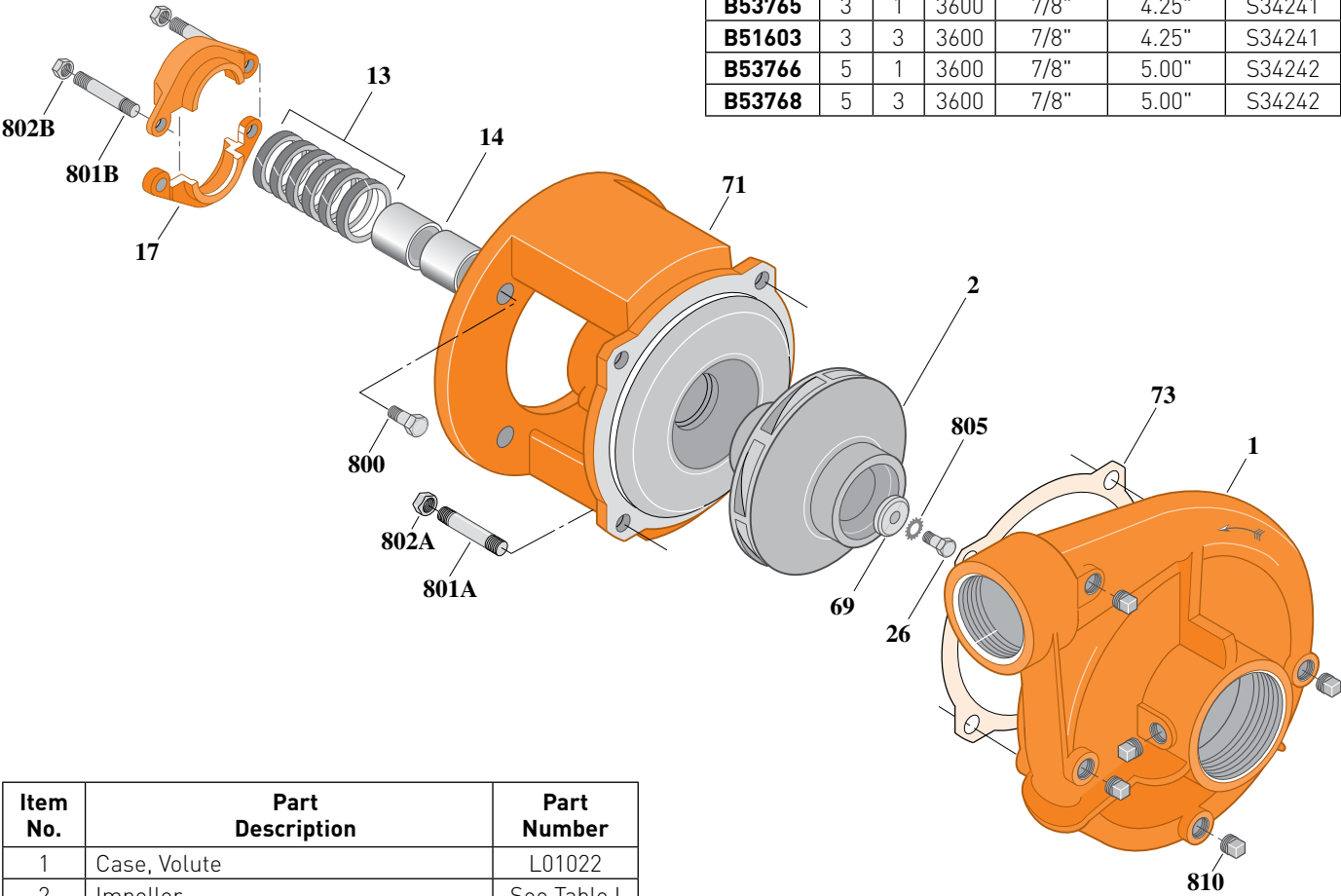
Threaded Case (NPT), Packing Construction

ELECTRIC MOTOR DRIVE

Section	CC
Page	70.1
Date	March 4, 2013
Supersedes 01/01/04	

Table I

B/M No.	HP	PH	RPM	"U" Dim.	Imp. Dia.	Imp. No.
B53765	3	1	3600	7/8"	4.25"	S34241
B51603	3	3	3600	7/8"	4.25"	S34241
B53766	5	1	3600	7/8"	5.00"	S34242
B53768	5	3	3600	7/8"	5.00"	S34242



1720A 0495

Item No.	Part Description	Part Number
1	Case, Volute	L01022
2	Impeller	See Table I
13	Rings, Packing (Set of 6)	S13469
14	Sleeve, Shaft (2 Req.)	S00619
17	Gland, Packing	B82469
26	Screw, Impeller 3/8 - 16 x 1"	S23566
32	Key, 3/16 x 1-1/4" (See Note)	S34383
69	Washer, Impeller	S06314
71	Bracket	See Table II
73	Gasket, Volute	S04757
800	Capscrew, 3/8 - 16 x 7/8" (4 Req.)	S26825
801A	Stud, 1/2 - 13 x 1-1/2" (4 Req.)	S24043
801B	Stud, 3/8 - 16 x 4" (2 Req.)	S08303
802A	Nut, Hex 1/2 - 13 (4 Req.)	S23107
802B	Nut, Hex 3/8 - 16 (2 Req.)	S23343
805	Washer, Lock	S23036
810	Plug, Pipe 1/4 NPT (4 Req.)	S23715

Table II

HP	PH	Bracket No.	"AK" Fit	"U" Dim.	Motor Frame
3	1	L01525	4-1/2"	7/8"	182JP
3	3	L01525	4-1/2"	7/8"	145JP
5	1	L01525	4-1/2"	7/8"	184JP
5	3	L01525	4-1/2"	7/8"	182JP

NOTE: For an explanation of the tabulated material found on this page and for impeller key location, refer to **Supplement A** located at the beginning of this section.



BERKELEY® B2TPM

Cast Iron Impeller

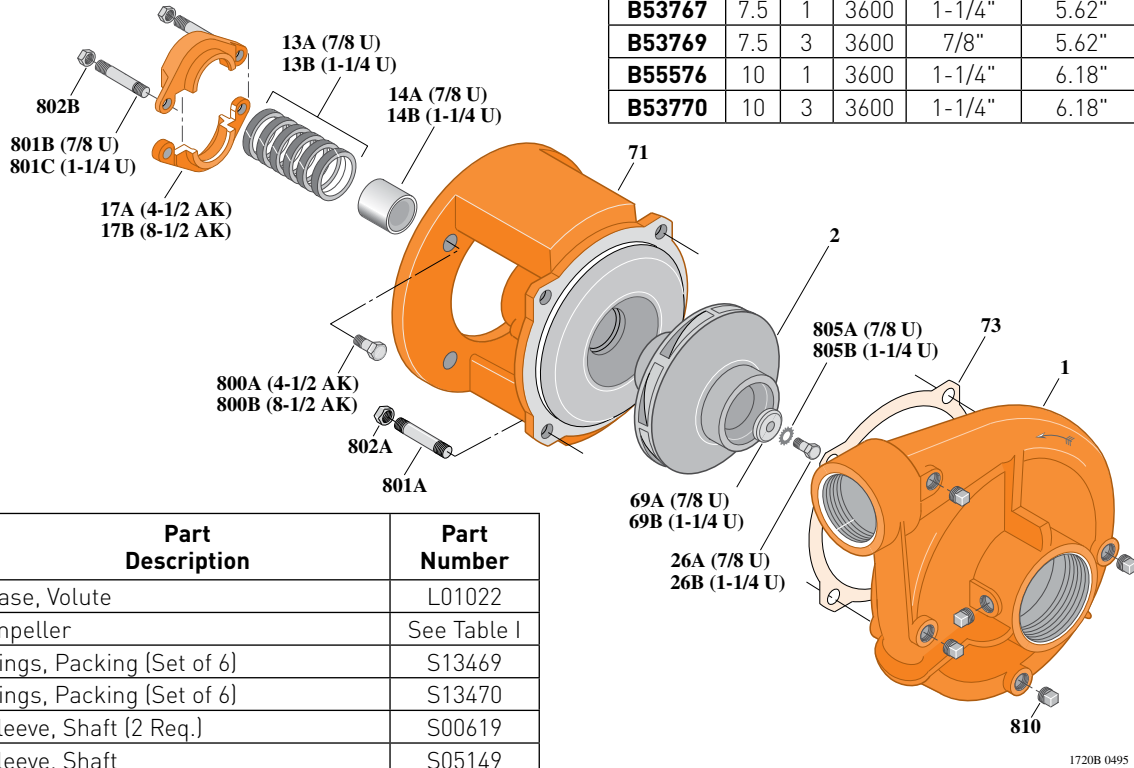
Threaded Case (NPT), Packing Construction

ELECTRIC MOTOR DRIVE

Section	CC
Page	70.2
Date	March 4, 2013
Supersedes 01/01/04	

Table I

B/M No.	HP	PH	RPM	"U" Dim.	Imp. Dia.	Imp. No.
B53767	7.5	1	3600	1-1/4"	5.62"	S34239
B53769	7.5	3	3600	7/8"	5.62"	S34243
B55576	10	1	3600	1-1/4"	6.18"	S34240
B53770	10	3	3600	1-1/4"	6.18"	S34240



Item No.	Part Description	Part Number
1	Case, Volute	L01022
2	Impeller	See Table I
13A	Rings, Packing [Set of 6]	S13469
13B	Rings, Packing [Set of 6]	S13470
14A	Sleeve, Shaft [2 Req.]	S00619
14B	Sleeve, Shaft	S05149
17A	Gland, Packing	B82469
17B	Gland, Packing	B82470
26A	Screw, Impeller 3/8 - 16 x 1"	S23566
26B	Screw, Impeller 1/2 - 13 x 1-1/4"	S23621
32A	Key, 3/16 x 1-1/4" [See Note]	S34383
32B	Key, 1/4 x 2-1/4" [See Note]	S23677
69A	Washer, Impeller	S06314
69B	Washer, Impeller	S06317
71	Bracket	See Table II
73	Gasket, Volute	S04757
800A	Capscrew, 3/8 - 16 x 7/8" [4 Req.]	S26825
800B	Capscrew, 1/2 - 13 x 1" [4 Req.]	S26912
801A	Stud, 1/2 - 13 x 1-1/2" [4 Req.]	S24043
801B	Stud, 3/8 - 16 x 4" [2 Req.]	S08303
801C	Stud, 3/8 - 16 x 3-1/2" [2 Req.]	S04441
802A	Nut, Hex 1/2 - 13 [4 Req.]	S23107
802B	Nut, Hex 3/8 - 16 [2 Req.]	S23343
805A	Washer, Lock	S23036
805B	Washer, Lock	S23038
810	Plug, Pipe 1/4 NPT [4 Req.]	S23715

Table II

HP	PH	Bracket No.	"AK" Fit	"U" Dim.	Motor Frame
7.5	1	L01951	8-1/2"	1-1/4"	213JP
7.5	3	L01525	4-1/2"	7/8"	184JP
10	1	L01591	8-1/2"	1-1/4"	215JP
10	3	L01591	8-1/2"	1-1/4"	213JP

NOTE: For an explanation of the tabulated material found on this page and for impeller key location, refer to **Supplement A** located at the beginning of this section.



BERKELEY® B2TPMS

Cast Iron Impeller

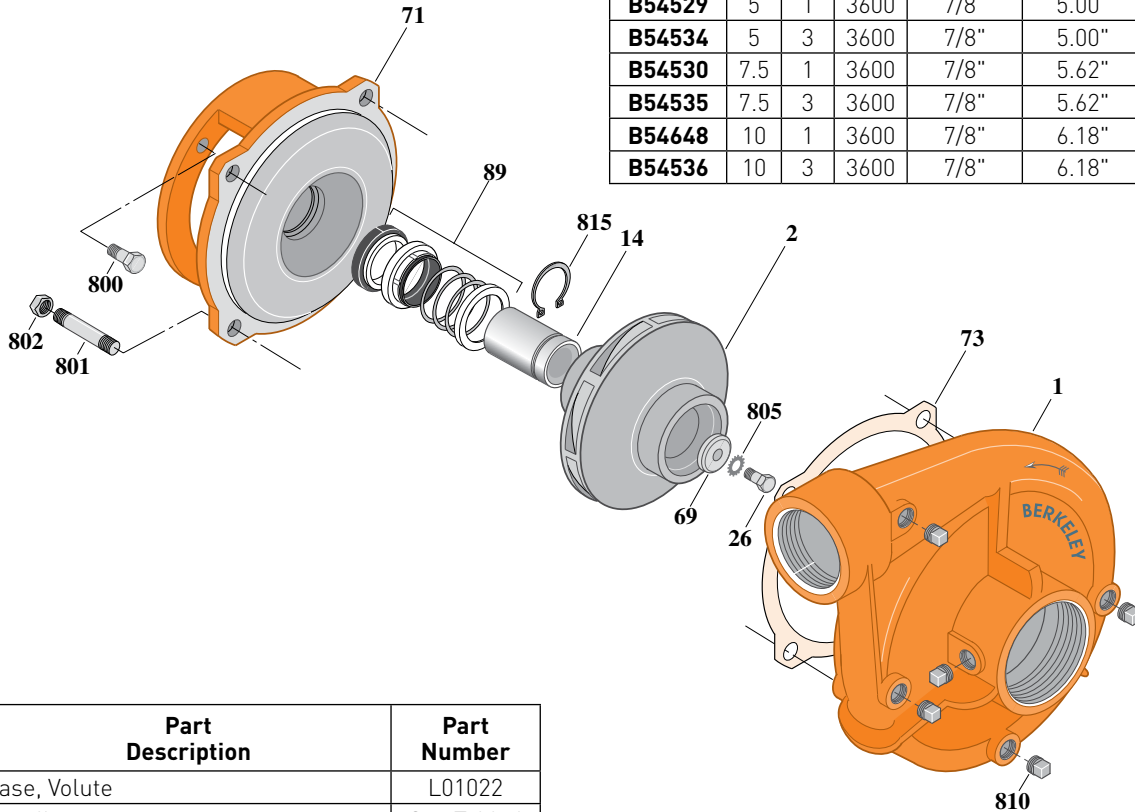
Threaded Case (NPT), Mechanical Shaft Seal Construction

ELECTRIC MOTOR DRIVE

Section	CC
Page	70.3
Date	March 4, 2013
Supersedes 01/01/04	

Table I

B/M No.	HP	PH	RPM	"U" Dim.	Imp. Dia.	Imp. No.
B54528	3	1	3600	7/8"	4.25"	S34241
B54533	3	3	3600	7/8"	4.25"	S34241
B54529	5	1	3600	7/8"	5.00"	S34242
B54534	5	3	3600	7/8"	5.00"	S34242
B54530	7.5	1	3600	7/8"	5.62"	S34243
B54535	7.5	3	3600	7/8"	5.62"	S34243
B54648	10	1	3600	7/8"	6.18"	S34279
B54536	10	3	3600	7/8"	6.18"	S34279



1480 0195

Item No.	Part Description	Part Number
1	Case, Volute	L01022
2	Impeller	See Table I
14	Sleeve, Shaft	S19310
26	Screw, Impeller 3/8 - 16 x 1"	S23566
32	Key, 3/16 x 1-1/4" [See Note]	S34383
69	Washer, Impeller	S06314
71	Bracket	See Table II
73	Gasket, Volute	S04757
89	Seal, Mechanical Shaft	S32014
800	Capscrew, 3/8 - 16 x 1" [4 Req.] [For 4-1/2 AK]	S26826
800	Capscrew, 1/2 - 13 x 1" [4 Req.] [For 8-1/2 AK]	S26912
801	Stud, 1/2 - 13 x 1-1/2" [4 Req.]	S24043
802	Nut, 1/2 x 13 [4 Req.]	S23107
805	Washer, Lock	S23036
810	Plug, Pipe 1/4 NPT [4 Req.]	S23715
815	Ring, Retaining	S11207

Table II

HP	PH	Bracket No.	"AK" Fit	"U" Dim.	Motor Frame
3	1	L05329	4-1/2"	7/8"	182JM
3	3	L05329	4-1/2"	7/8"	145JM
5	1	L05329	4-1/2"	7/8"	184JM
5	3	L05329	4-1/2"	7/8"	182JM
7.5	1	L05328	8-1/2"	7/8"	213JM
7.5	3	L05329	4-1/2"	7/8"	184JM
10	1	L05328	8-1/2"	7/8"	215JM
10	3	L05328	8-1/2"	7/8"	213JM

NOTE: For an explanation of the tabulated material found on this page and for impeller key location, refer to **Supplement A** located at the beginning of this section.



BERKELEY® B2TPM

Bronze Impeller

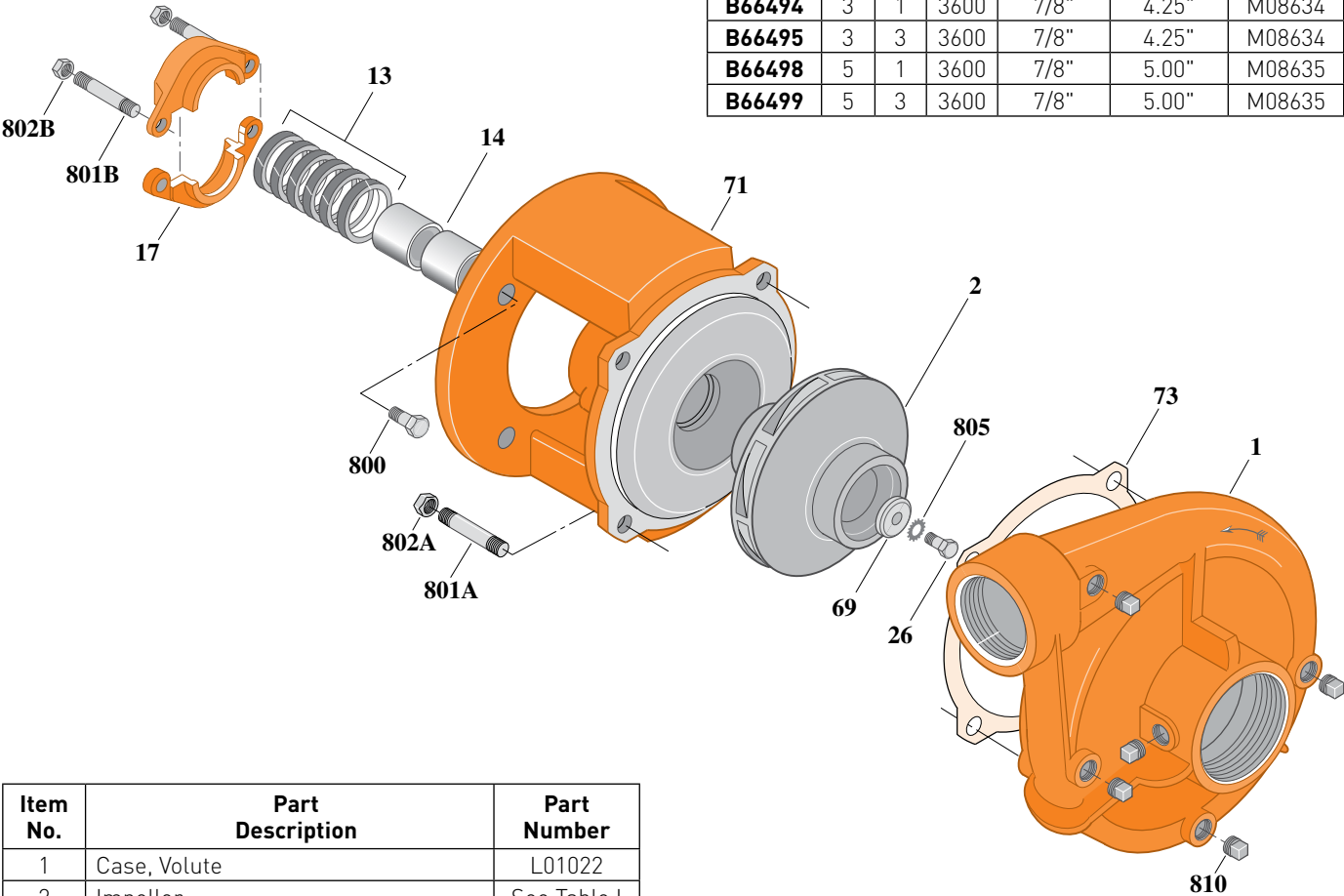
Threaded Case (NPT), Packing Construction

ELECTRIC MOTOR DRIVE

Section	CC
Page	70.4
Date	March 4, 2013
Supersedes 01/01/04	

Table I

B/M No.	HP	PH	RPM	"U" Dim.	Imp. Dia.	Imp. No.
B66494	3	1	3600	7/8"	4.25"	M08634
B66495	3	3	3600	7/8"	4.25"	M08634
B66498	5	1	3600	7/8"	5.00"	M08635
B66499	5	3	3600	7/8"	5.00"	M08635



1720A 0495

Item No.	Part Description	Part Number
1	Case, Volute	L01022
2	Impeller	See Table I
13	Rings, Packing (Set of 6)	S13469
14	Sleeve, Shaft (2 Req.)	S00619
17	Gland, Packing	B82469
26	Screw, Impeller 3/8 - 16 x 1"	S23566
32	Key, 3/16 x 1-1/4" (See Note)	S34383
69	Washer, Impeller	S06314
71	Bracket	See Table II
73	Gasket, Volute	S04757
800	Capscrew, 3/8 - 16 x 7/8" (4 Req.)	S26825
801A	Stud, 1/2 - 13 x 1-1/2" (4 Req.)	S24043
801B	Stud, 3/8 - 16 x 4" (2 Req.)	S08303
802A	Nut, Hex 1/2 - 13 (4 Req.)	S23107
802B	Nut, Hex 3/8 - 16 (2 Req.)	S23343
805	Washer, Lock	S23036
810	Plug, Pipe 1/4 NPT (4 Req.)	S23715

Table II

HP	PH	Bracket No.	"AK" Fit	"U" Dim.	Motor Frame
3	1	L01525	4-1/2"	7/8"	182JP
3	3	L01525	4-1/2"	7/8"	145JP
5	1	L01525	4-1/2"	7/8"	184JP
5	3	L01525	4-1/2"	7/8"	182JP

NOTE: For an explanation of the tabulated material found on this page and for impeller key location, refer to **Supplement A** located at the beginning of this section.



BERKELEY® B2TPM

Bronze Impeller

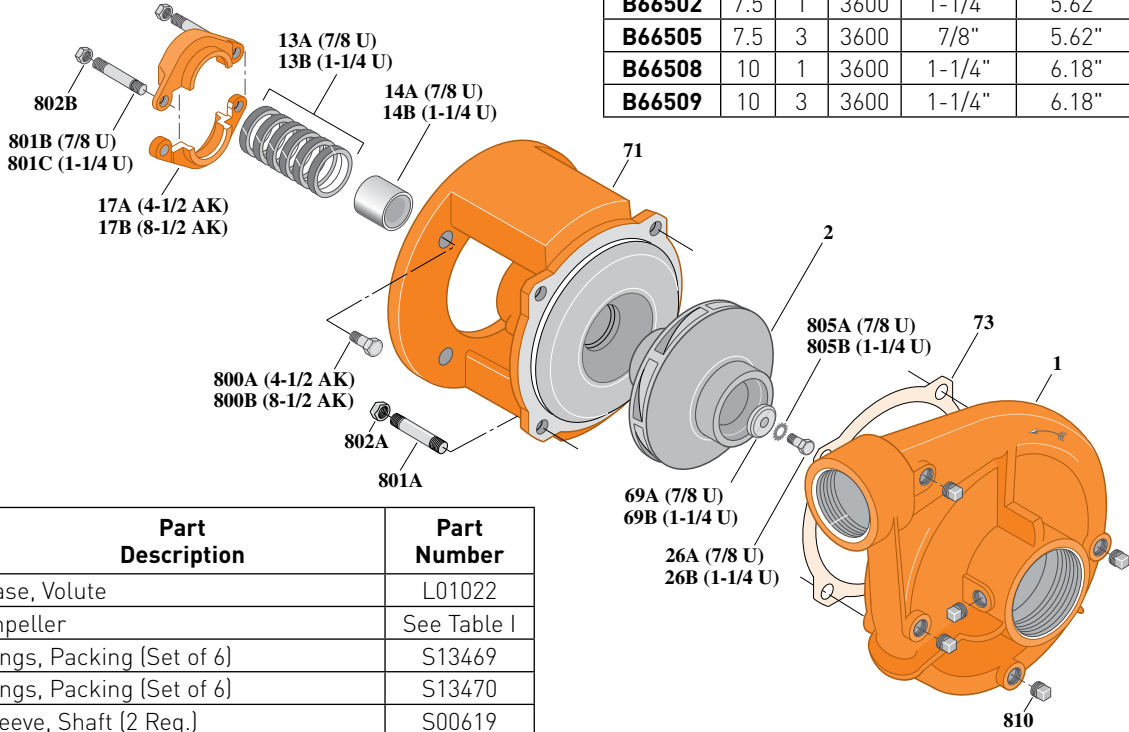
Threaded Case (NPT), Packing Construction

ELECTRIC MOTOR DRIVE

Section	CC
Page	70.5
Date	March 4, 2013
Supersedes 01/01/04	

Table I

B/M No.	HP	PH	RPM	"U" Dim.	Imp. Dia.	Imp. No.
B66502	7.5	1	3600	1-1/4"	5.62"	M08632
B66505	7.5	3	3600	7/8"	5.62"	M08636
B66508	10	1	3600	1-1/4"	6.18"	M08633
B66509	10	3	3600	1-1/4"	6.18"	M08633



Item No.	Part Description	Part Number
1	Case, Volute	L01022
2	Impeller	See Table I
13A	Rings, Packing [Set of 6]	S13469
13B	Rings, Packing [Set of 6]	S13470
14A	Sleeve, Shaft [2 Req.]	S00619
14B	Sleeve, Shaft	S05149
17A	Gland, Packing	B82469
17B	Gland, Packing	B82470
26A	Screw, Impeller 3/8 - 16 x 1"	S23566
26B	Screw, Impeller 1/2 - 13 x 1-1/4"	S23621
32A	Key, 3/16 x 1-1/4" [See Note]	S34383
32B	Key, 1/4 x 2-1/4" [See Note]	S23677
69A	Washer, Impeller	S06314
69B	Washer, Impeller	S06317
71	Bracket	See Table II
73	Gasket, Volute	S04757
800A	Capscrew, 3/8 - 16 x 7/8" [4 Req.]	S26825
800B	Capscrew, 1/2 - 13 x 1" [4 Req.]	S26912
801A	Stud, 1/2 - 13 x 1-1/2" [4 Req.]	S24043
801B	Stud, 3/8 - 16 x 4" [2 Req.]	S08303
801C	Stud, 3/8 - 16 x 3-1/2" [2 Req.]	S04441
802A	Nut, Hex 1/2 - 13 [4 Req.]	S23107
802B	Nut, Hex 3/8 - 16 [2 Req.]	S23343
805A	Washer, Lock	S23036
805B	Washer, Lock	S23038
810	Plug, Pipe 1/4 NPT [4 Req.]	S23715

Table II

HP	PH	Bracket No.	"AK" Fit	"U" Dim.	Motor Frame
7.5	1	L01951	8-1/2"	1-1/4"	213JP
7.5	3	L01525	4-1/2"	7/8"	184JP
10	1	L01951	8-1/2"	1-1/4"	215JP
10	3	L01951	8-1/2"	1-1/4"	213JP

NOTE: For an explanation of the tabulated material found on this page and for impeller key location, refer to **Supplement A** located at the beginning of this section.



BERKELEY® B2TPMS

Bronze Impeller

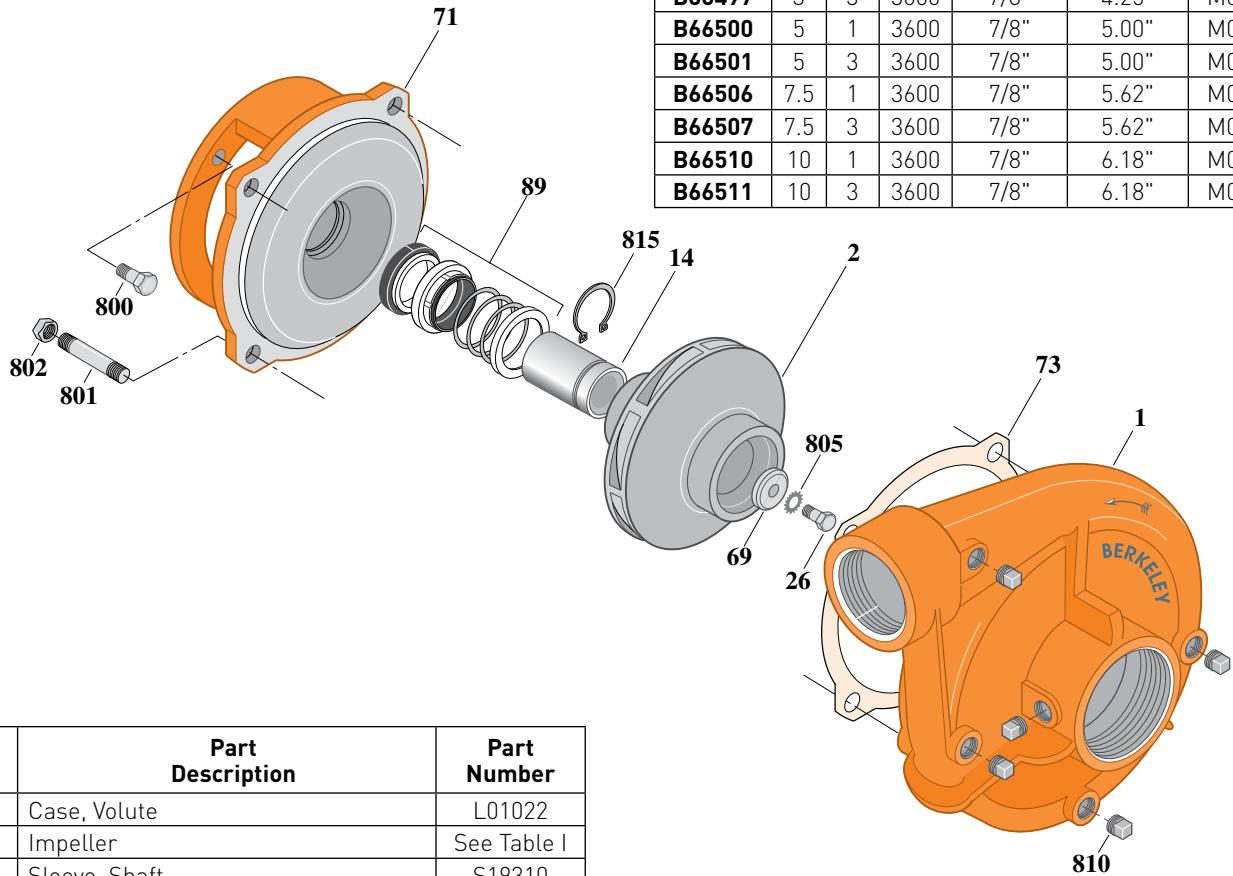
Threaded Case (NPT), Mechanical Shaft Seal Construction

ELECTRIC MOTOR DRIVE

Section	CC
Page	70.6
Date	March 4, 2013
Supersedes 01/01/04	

Table I

B/M No.	HP	PH	RPM	"U" Dim.	Imp. Dia.	Imp. No.
B66496	3	1	3600	7/8"	4.25"	M08634
B66497	3	3	3600	7/8"	4.25"	M08634
B66500	5	1	3600	7/8"	5.00"	M08635
B66501	5	3	3600	7/8"	5.00"	M08635
B66506	7.5	1	3600	7/8"	5.62"	M08636
B66507	7.5	3	3600	7/8"	5.62"	M08636
B66510	10	1	3600	7/8"	6.18"	M08637
B66511	10	3	3600	7/8"	6.18"	M08637



1480 0195

Item No.	Part Description	Part Number
1	Case, Volute	L01022
2	Impeller	See Table I
14	Sleeve, Shaft	S19310
26	Screw, Impeller 3/8 - 16 x 1"	S23566
32	Key, 3/16 x 1-1/4" [See Note]	S34383
69	Washer, Impeller	S06314
71	Bracket	See Table II
73	Gasket, Volute	S04757
89	Seal, Mechanical Shaft	S32014
800	Capscrew, 3/8 - 16 x 1" [4 Req.] [For 4-1/2 AK]	S26826
800	Capscrew, 1/2 - 13 x 1" [4 Req.] [For 8-1/2 AK]	S26912
801	Stud, 1/2 - 13 x 1-1/2" [4 Req.]	S24043
802	Nut, 1/2 x 13 [4 Req.]	S23107
805	Washer, Lock	S23036
810	Plug, Pipe 1/4 NPT [4 Req.]	S23715
815	Ring, Retaining	S11207

Table II

HP	PH	Bracket No.	"AK" Fit	"U" Dim.	Motor Frame
3	1	L05329	4-1/2"	7/8"	182JM
3	3	L05329	4-1/2"	7/8"	145JM
5	1	L05329	4-1/2"	7/8"	184JM
5	3	L05329	4-1/2"	7/8"	182JM
7.5	1	L05328	8-1/2"	7/8"	213JM
7.5	3	L05329	4-1/2"	7/8"	184JM
10	1	L05328	8-1/2"	7/8"	215JM
10	3	L05328	8-1/2"	7/8"	213JM

NOTE: For an explanation of the tabulated material found on this page and for impeller key location, refer to **Supplement A** located at the beginning of this section.



BERKELEY® B2TPM

Silicon Bronze Impeller

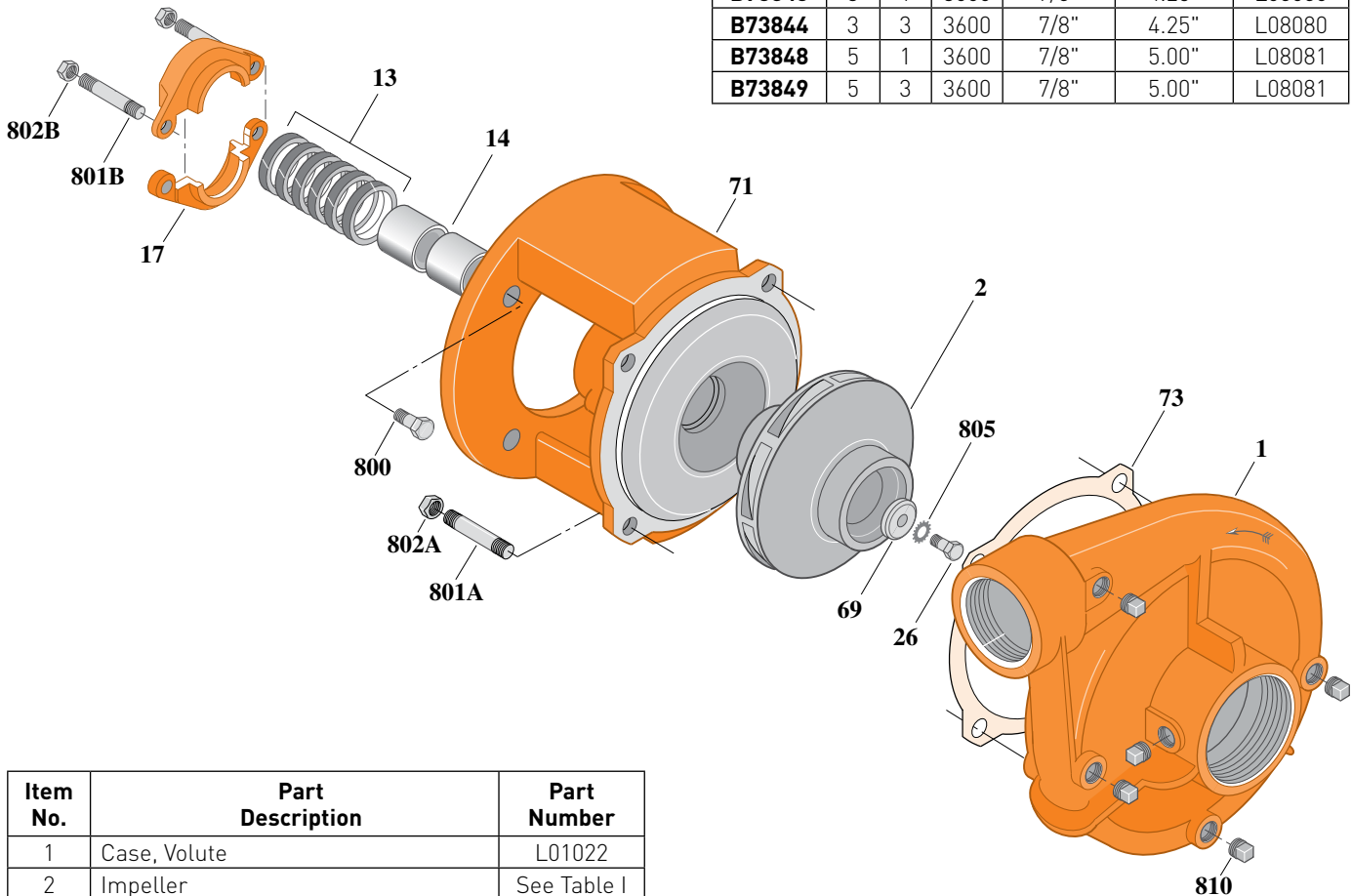
Threaded Case (NPT), Packing Construction

ELECTRIC MOTOR DRIVE

Section	CC
Page	70.7
Date	March 4, 2013
Supersedes 01/01/04	

Table I

B/M No.	HP	PH	RPM	"U" Dim.	Imp. Dia.	Imp. No.
B73843	3	1	3600	7/8"	4.25"	L08080
B73844	3	3	3600	7/8"	4.25"	L08080
B73848	5	1	3600	7/8"	5.00"	L08081
B73849	5	3	3600	7/8"	5.00"	L08081



1720A 0495

Item No.	Part Description	Part Number
1	Case, Volute	L01022
2	Impeller	See Table I
13	Rings, Packing (Set of 6)	S13469
14	Sleeve, Shaft (2 Req.)	S00619
17	Gland, Packing	B82469
26	Screw, Impeller 3/8 - 16 x 1-1/4"	S23568
32	Key, 3/16 x 1-1/4" (See Note)	S34383
69	Washer, Impeller	S06314
71	Bracket	See Table II
73	Gasket, Volute	S04757
800	Capscrew, 3/8 - 16 x 7/8" (4 Req.)	S26825
801A	Stud, 1/2 - 13 x 1-1/2" (4 Req.)	S24043
801B	Stud, 3/8 - 16 x 4" (2 Req.)	S08303
802A	Nut, Hex 1/2 - 13 (4 Req.)	S23107
802B	Nut, Hex 3/8 - 16 (2 Req.)	S23343
805	Washer, Lock	S23036
810	Plug, Pipe 1/4" NPT (5 Req.)	S23715

Table II

HP	PH	Bracket No.	"AK" Fit	"U" Dim.	Motor Frame
3	1	L01525	4-1/2"	7/8"	182JP
3	3	L01525	4-1/2"	7/8"	145JP
5	1	L01525	4-1/2"	7/8"	184JP
5	3	L01525	4-1/2"	7/8"	182JP

NOTE: For an explanation of the tabulated material found on this page and for impeller key location, refer to **Supplement A** located at the beginning of this section.



BERKELEY® B2TPM

Silicon Bronze Impeller

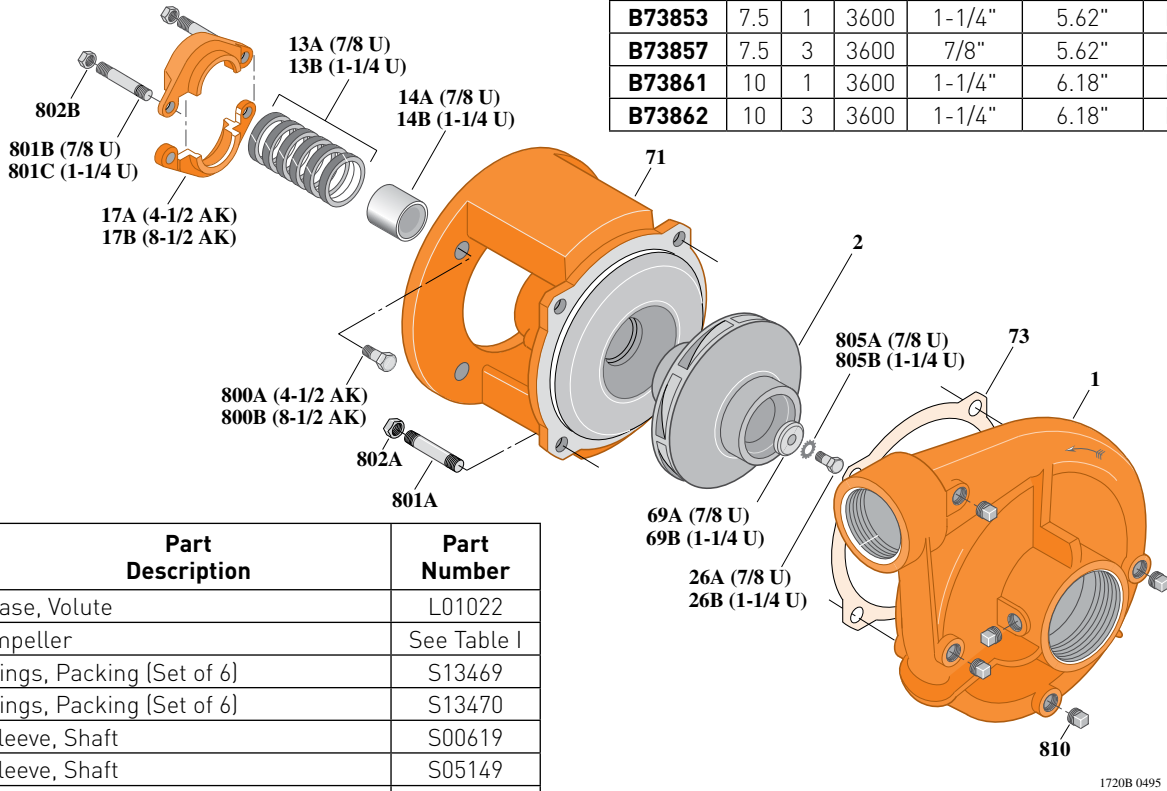
Threaded Case (NPT), Packing Construction

ELECTRIC MOTOR DRIVE

Section	CC
Page	70.8
Date	March 4, 2013
Supersedes 01/01/04	

Table I

B/M No.	HP	PH	RPM	"U" Dim.	Imp. Dia.	Imp. No.
B73853	7.5	1	3600	1-1/4"	5.62"	L08078
B73857	7.5	3	3600	7/8"	5.62"	L08082
B73861	10	1	3600	1-1/4"	6.18"	L08079
B73862	10	3	3600	1-1/4"	6.18"	L08079



Item No.	Part Description	Part Number
1	Case, Volute	L01022
2	Impeller	See Table I
13A	Rings, Packing [Set of 6]	S13469
13B	Rings, Packing [Set of 6]	S13470
14A	Sleeve, Shaft	S00619
14B	Sleeve, Shaft	S05149
17A	Gland, Packing	B82469
17B	Gland, Packing	B82470
26A	Screw, Impeller 3/8 - 16 x 1"	S23566
26B	Screw, Impeller 1/2 - 13 x 1-1/4"	S23621
32A	Key, 3/16 x 1-1/4" [See Note]	S34383
32B	Key, 1/4 x 2-1/4" [See Note]	S23677
69A	Washer, Impeller	S06314
69B	Washer, Impeller	S06317
71	Bracket	See Table II
73	Gasket, Volute	S04757
800A	Capscrew, 3/8 - 16 x 7/8" [4 Req.]	S26825
800B	Capscrew, 1/2 - 13 x 1" [4 Req.]	S26912
801A	Stud, 1/2 - 13 x 1-1/2" [4 Req.]	S24043
801B	Stud, 3/8 - 16 x 4" [2 Req.]	S08303
801C	Stud, 3/8 - 16 x 3-1/2" [2 Req.]	S04441
802A	Nut, Hex 1/2 - 13 [4 Req.]	S23107
802B	Nut, Hex 3/8 - 16 [2 Req.]	S23343
805A	Washer, Lock	S23036
805B	Washer, Lock	S23038
810	Plug, Pipe 1/4" NPT [5 Req.]	S23715

Table II

HP	PH	Bracket No.	"AK" Fit	"U" Dim.	Motor Frame
7.5	1	L01951	8-1/2"	1-1/4"	213JP
7.5	3	L01525	4-1/2"	7/8"	184JP
10	1	L01951	8-1/2"	1-1/4"	215JP
10	3	L01951	8-1/2"	1-1/4"	213JP

NOTE: For an explanation of the tabulated material found on this page and for impeller key location, refer to **Supplement A** located at the beginning of this section.



BERKELEY® B2TPMS Silicon Bronze Impeller

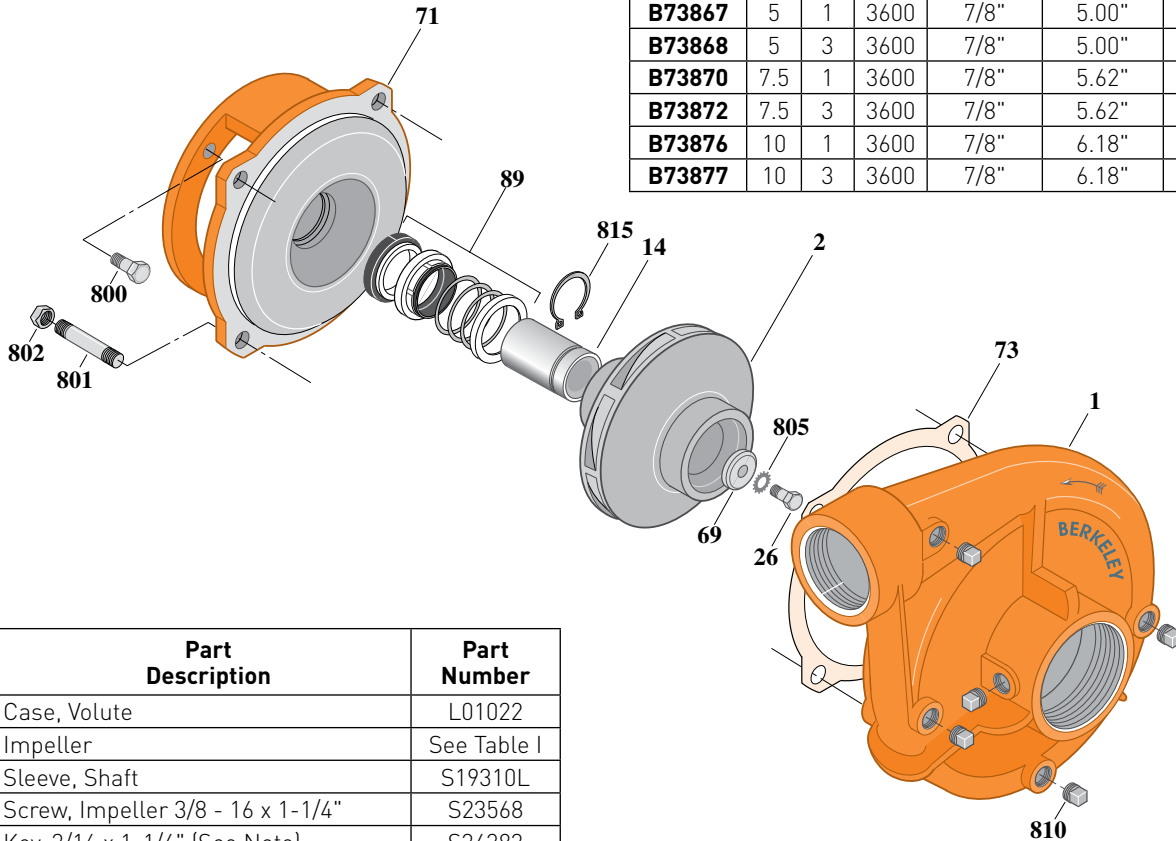
Threaded Case (NPT), Mechanical Shaft Seal Construction

ELECTRIC MOTOR DRIVE

Section	CC
Page	70.9
Date	March 4, 2013
Supersedes 01/01/04	

Table I

B/M No.	HP	PH	RPM	"U" Dim.	Imp. Dia.	Imp. No.
B73864	3	1	3600	7/8"	4.25"	L08080
B73865	3	3	3600	7/8"	4.25"	L08080
B73867	5	1	3600	7/8"	5.00"	L08081
B73868	5	3	3600	7/8"	5.00"	L08081
B73870	7.5	1	3600	7/8"	5.62"	L08082
B73872	7.5	3	3600	7/8"	5.62"	L08082
B73876	10	1	3600	7/8"	6.18"	L08083
B73877	10	3	3600	7/8"	6.18"	L08083



1480 0195

Item No.	Part Description	Part Number
1	Case, Volute	L01022
2	Impeller	See Table I
14	Sleeve, Shaft	S19310L
26	Screw, Impeller 3/8 - 16 x 1-1/4"	S23568
32	Key, 3/16 x 1-1/4" [See Note]	S34383
69	Washer, Impeller	S06314
71	Bracket	See Table II
73	Gasket, Volute	S04757
89	Seal, Mechanical Shaft	S32014
800	Capscrew, 3/8 - 16 x 1" (4 Req.) (For 4-1/2 AK)	S26826
800	Capscrew, 1/2 - 13 x 1" (4 Req.) (For 8-1/2 AK)	S26912
801	Stud, 1/2 - 13 x 1-1/2" (4 Req.)	S24043
802	Nut, 1/2 x 13 (4 Req.)	S23107
805	Washer, Lock	S23036
810	Plug, Pipe 1/4" NPT (5 Req.)	S23715
815	Ring, Retaining	S11207
•	Plug, Pipe 1/8" NPT (In Bracket)	S23714

• Not illustrated.

Table II

HP	PH	Bracket No.	"AK" Fit	"U" Dim.	Motor Frame
3	1	L05329	4-1/2"	7/8"	182JM
3	3	L05329	4-1/2"	7/8"	145JM
5	1	L05329	4-1/2"	7/8"	184JM
5	3	L05329	4-1/2"	7/8"	182JM
7.5	1	L05328	8-1/2"	7/8"	213JM
7.5	3	L05329	4-1/2"	7/8"	184JM
10	1	L05328	8-1/2"	7/8"	215JM
10	3	L05328	8-1/2"	7/8"	213JM

NOTE 1: For an explanation of the tabulated material found on this page and for impeller key location, refer to **Supplement A** located at the beginning of this section.

NOTE 2: For seal flush line details, see **Supplement D**.



BERKELEY® B2TPM

Silicon Bronze Impeller

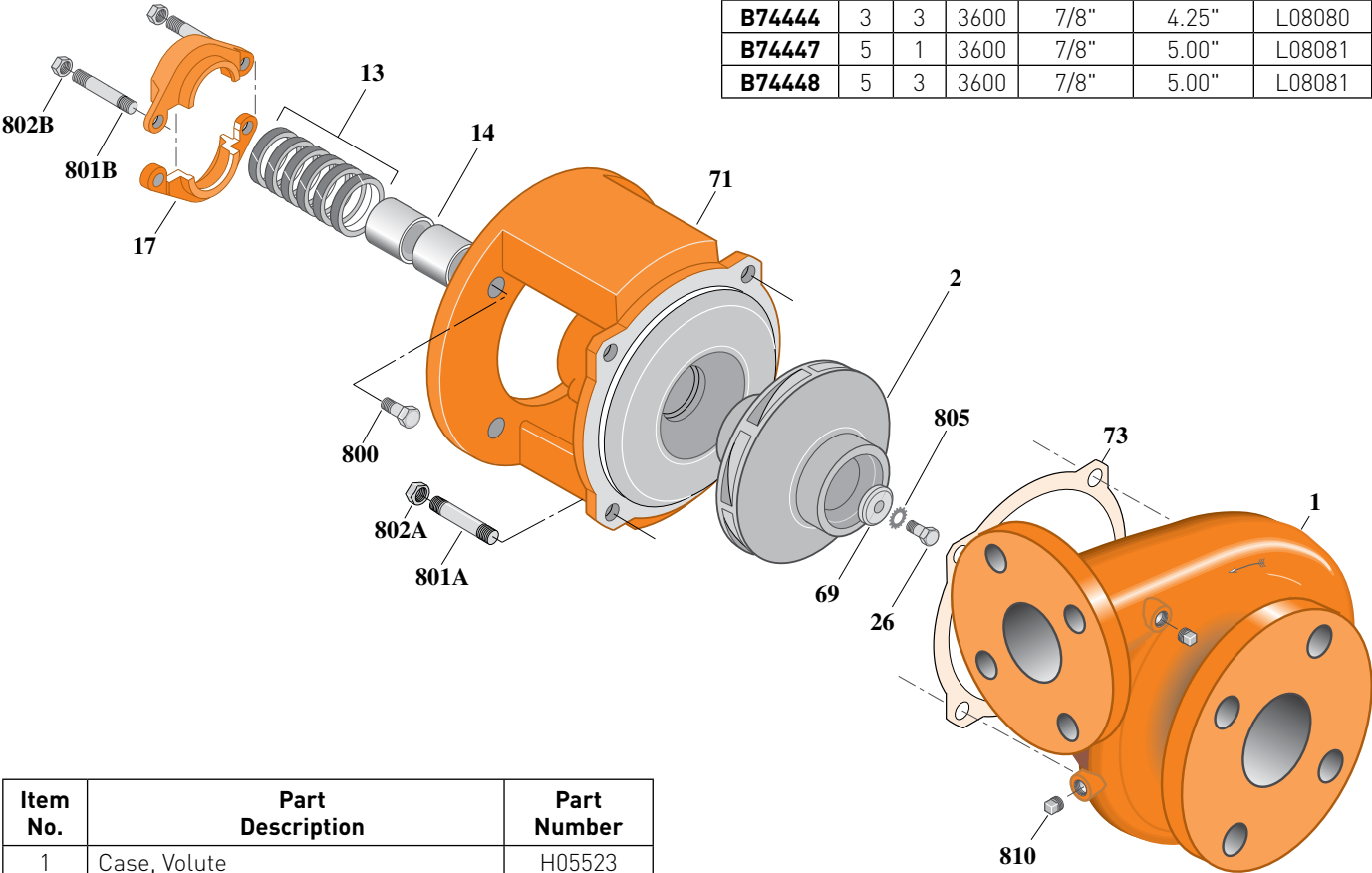
Flanged Case, Packing Construction

ELECTRIC MOTOR DRIVE

Section	CC
Page	70.10
Date	March 4, 2013
Supersedes 01/01/04	

Table I

B/M No.	HP	PH	RPM	"U" Dim.	Imp. Dia.	Imp. No.
B74443	3	1	3600	7/8"	4.25"	L08080
B74444	3	3	3600	7/8"	4.25"	L08080
B74447	5	1	3600	7/8"	5.00"	L08081
B74448	5	3	3600	7/8"	5.00"	L08081



1720C 0497

Item No.	Part Description	Part Number
1	Case, Volute	H05523
2	Impeller	See Table I
13	Rings, Packing (Set of 6)	S13469
14	Sleeve, Shaft (2 Req.)	S00619
17	Gland, Packing	B82469
26	Screw, Impeller 3/8 - 16 x 1-1/4"	S23568
32	Key, 3/16 x 1-1/4" (See Note)	S34383
69	Washer, Impeller	S06314
71	Bracket	See Table II
73	Gasket, Volute	S04757
800	Capscrew, 3/8 - 16 x 7/8" (4 Req.)	S26825
801A	Stud, 1/2 - 13 x 1-1/2" (4 Req.)	S24043
801B	Stud, 3/8 - 16 x 4" (2 Req.)	S08303
802A	Nut, Hex 1/2 - 13 (4 Req.)	S23107
802B	Nut, Hex 3/8 - 16 (2 Req.)	S23343
805	Washer, Lock	S23036
810	Plug, Pipe 1/4" NPT (4 Req.)	S23715

Table II

HP	PH	Bracket No.	"AK" Fit	"U" Dim.	Motor Frame
3	1	L01525	4-1/2"	7/8"	182JP
3	3	L01525	4-1/2"	7/8"	145JP
5	1	L01525	4-1/2"	7/8"	184JP
5	3	L01525	4-1/2"	7/8"	182JP

NOTE: For an explanation of the tabulated material found on this page and for impeller key location, refer to **Supplement A** located at the beginning of this section.



BERKELEY® B2TPM

Silicon Bronze Impeller

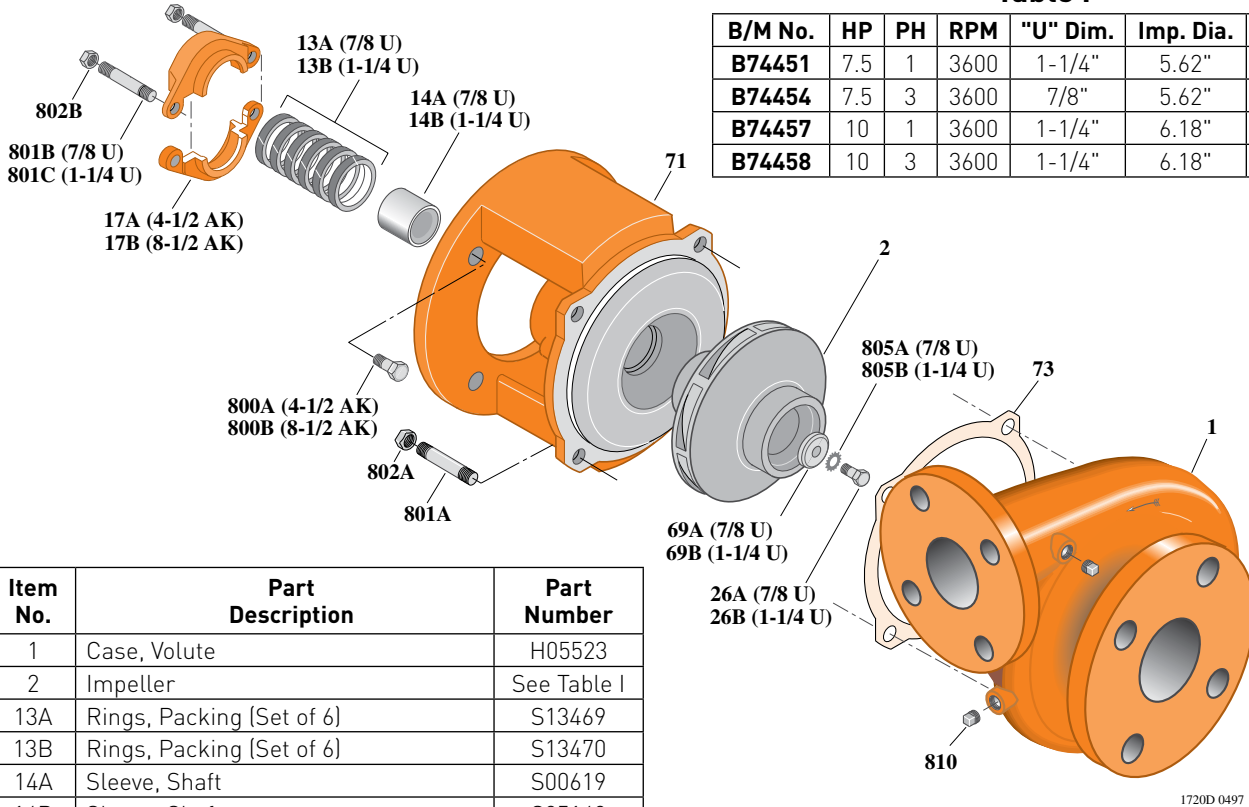
Flanged Case, Packing Construction

ELECTRIC MOTOR DRIVE

Section	CC
Page	70.11
Date	March 4, 2013
Supersedes 01/01/04	

Table I

B/M No.	HP	PH	RPM	"U" Dim.	Imp. Dia.	Imp. No.
B74451	7.5	1	3600	1-1/4"	5.62"	L08078
B74454	7.5	3	3600	7/8"	5.62"	L08082
B74457	10	1	3600	1-1/4"	6.18"	L08079
B74458	10	3	3600	1-1/4"	6.18"	L08079



Item No.	Part Description	Part Number
1	Case, Volute	H05523
2	Impeller	See Table I
13A	Rings, Packing [Set of 6]	S13469
13B	Rings, Packing [Set of 6]	S13470
14A	Sleeve, Shaft	S00619
14B	Sleeve, Shaft	S05149
17A	Gland, Packing	B82469
17B	Gland, Packing	B82470
26A	Screw, Impeller 3/8 - 16 x 1"	S23566
26B	Screw, Impeller 1/2 - 13 x 1-1/4"	S23621
32A	Key, 3/16 x 1-1/4" [See Note]	S34383
32B	Key, 1/4 x 2-1/4" [See Note]	S23677
69A	Washer, Impeller	S06314
69B	Washer, Impeller	S06317
71	Bracket	See Table II
73	Gasket, Volute	S04757
800A	Cap screw, 3/8 - 16 x 7/8" [4 Req.]	S26825
800B	Cap screw, 1/2 - 13 x 1" [4 Req.]	S26912
801A	Stud, 1/2 - 13 x 1-1/2" [4 Req.]	S24043
801B	Stud, 3/8 - 16 x 4" [2 Req.]	S08303
801C	Stud, 3/8 - 16 x 3-1/2" [2 Req.]	S04441
802A	Nut, Hex 1/2 - 13 [4 Req.]	S23107
802B	Nut, Hex 3/8 - 16 [2 Req.]	S23343
805A	Washer, Lock	S23036
805B	Washer, Lock	S23038
810	Plug, Pipe 1/4" NPT [4 Req.]	S23715

Table II

HP	PH	Bracket No.	"AK" Fit	"U" Dim.	Motor Frame
7.5	1	L01951	8-1/2"	1-1/4"	213JP
7.5	3	L01525	4-1/2"	7/8"	184JP
10	1	L01951	8-1/2"	1-1/4"	215JP
10	3	L01951	8-1/2"	1-1/4"	213JP

NOTE: For an explanation of the tabulated material found on this page and for impeller key location, refer to **Supplement A** located at the beginning of this section.

BERKELEY® B2TPMS Silicon Bronze Impeller

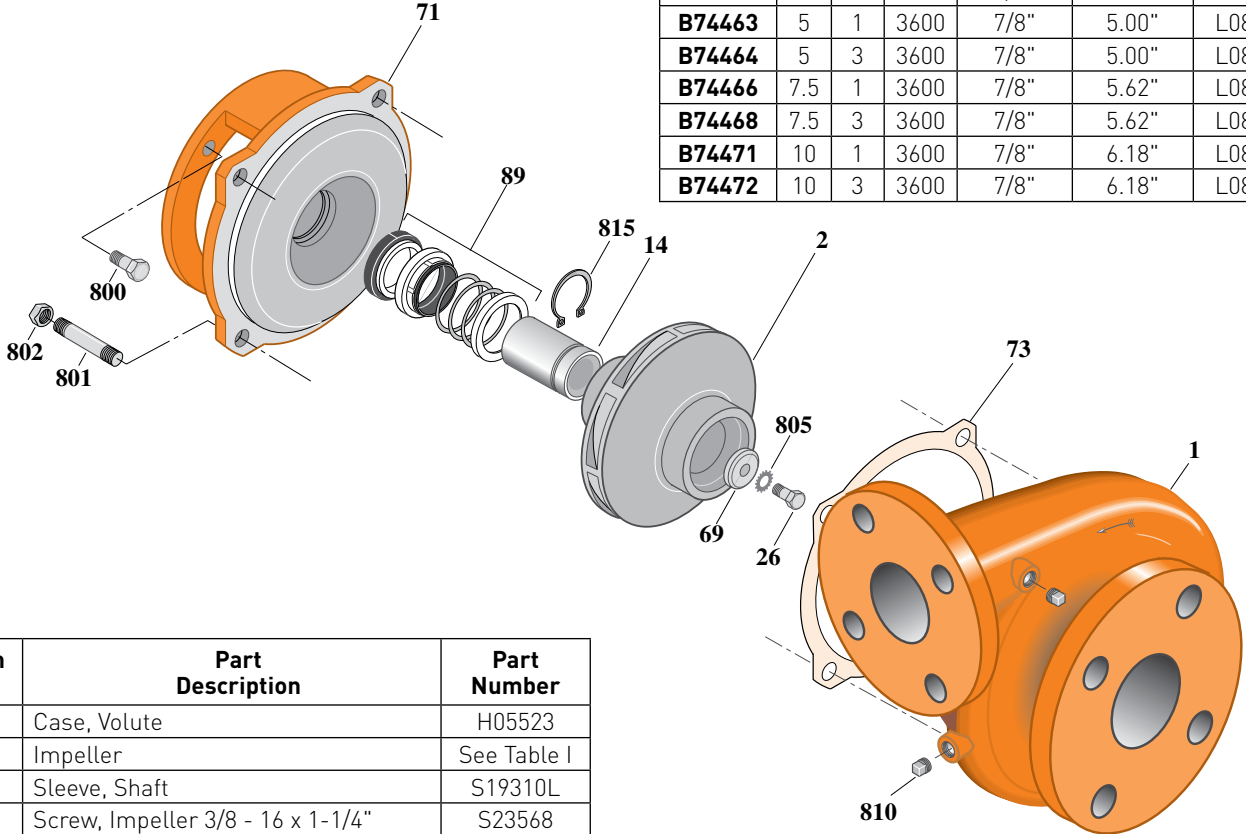
Flanged Case, Mechanical Shaft Seal Construction

ELECTRIC MOTOR DRIVE

Section	CC
Page	70.12
Date	March 4, 2013
Supersedes 01/01/04	

Table I

B/M No.	HP	PH	RPM	"U" Dim.	Imp. Dia.	Imp. No.
B74460	3	1	3600	7/8"	4.25"	L08080
B74461	3	3	3600	7/8"	4.25"	L08080
B74463	5	1	3600	7/8"	5.00"	L08081
B74464	5	3	3600	7/8"	5.00"	L08081
B74466	7.5	1	3600	7/8"	5.62"	L08082
B74468	7.5	3	3600	7/8"	5.62"	L08082
B74471	10	1	3600	7/8"	6.18"	L08083
B74472	10	3	3600	7/8"	6.18"	L08083



1480B 0497

Item No.	Part Description	Part Number
1	Case, Volute	H05523
2	Impeller	See Table I
14	Sleeve, Shaft	S19310L
26	Screw, Impeller 3/8 - 16 x 1-1/4"	S23568
32	Key, 3/16 x 1-1/4" [See Note]	S34383
69	Washer, Impeller	S06314
71	Bracket	See Table II
73	Gasket, Volute	S04757
89	Seal, Mechanical Shaft	S32014
800	Capscrew, 3/8 - 16 x 1" (4 Req.) (For 4-1/2 AK)	S26826
800	Capscrew, 1/2 - 13 x 1" (4 Req.) (For 8-1/2 AK)	S26912
801	Stud, 1/2 - 13 x 1-1/2" (4 Req.)	S24043
802	Nut, 1/2 x 13 (4 Req.)	S23107
805	Washer, Lock	S23036
810	Plug, Pipe 1/4" NPT (4 Req.)	S23715
815	Ring, Retaining	S11207
•	Plug, Pipe 1/8" NPT (In Bracket)	S23714

• Not illustrated.

Table II

HP	PH	Bracket No.	"AK" Fit	"U" Dim.	Motor Frame
3	1	L05329	4-1/2"	7/8"	182JM
3	3	L05329	4-1/2"	7/8"	145JM
5	1	L05329	4-1/2"	7/8"	184JM
5	3	L05329	4-1/2"	7/8"	182JM
7.5	1	L05328	8-1/2"	7/8"	213JM
7.5	3	L05329	4-1/2"	7/8"	184JM
10	1	L05328	8-1/2"	7/8"	215JM
10	3	L05328	8-1/2"	7/8"	213JM

NOTE 1: For an explanation of the tabulated material found on this page and for impeller key location, refer to **Supplement A** located at the beginning of this section.

NOTE 2: For seal flush line details, see **Supplement D**.



BERKELEY® B2ZPL

Cast Iron Impeller

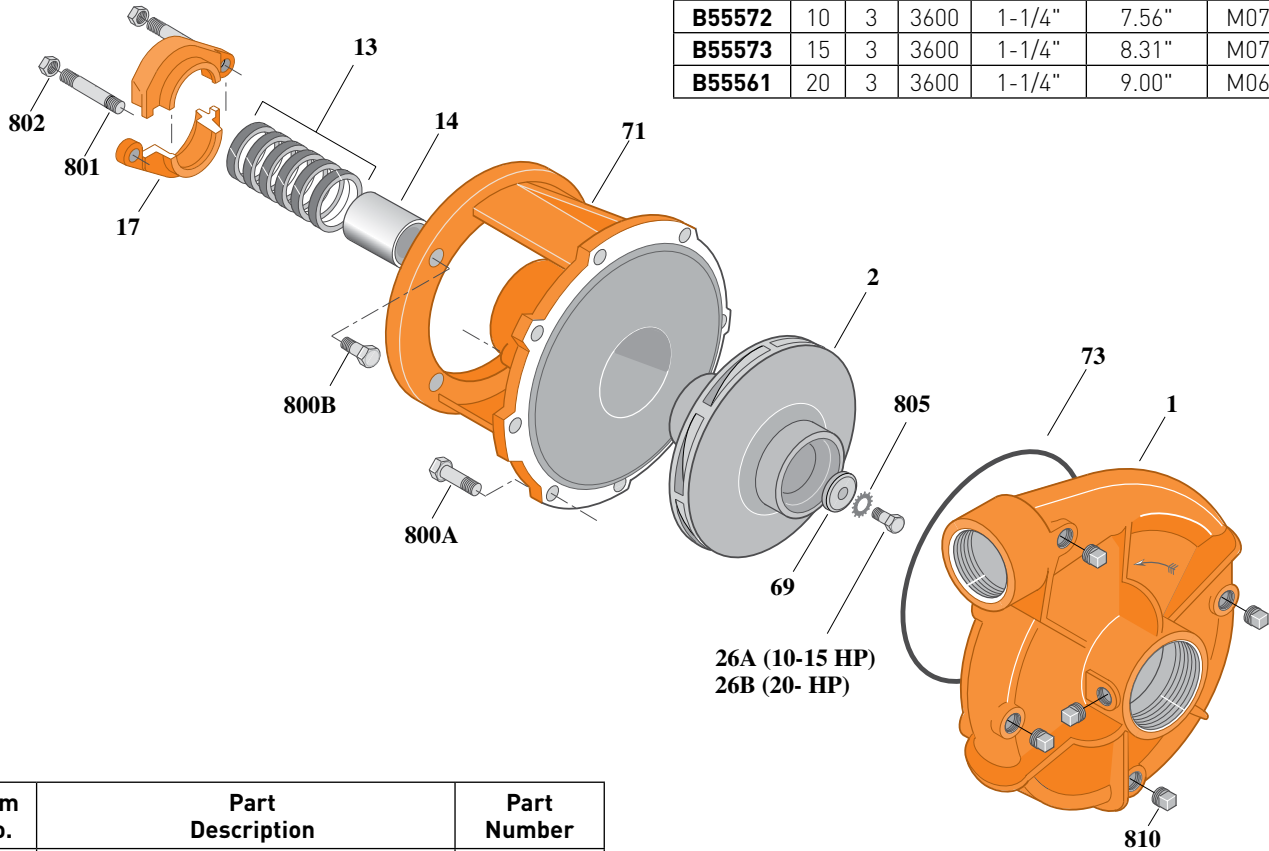
Threaded Case (NPT), Packing Construction

ELECTRIC MOTOR DRIVE

Section	CC
Page	80.1
Date	March 4, 2013
Supersedes 07/01/11	

Table I

B/M No.	HP	PH	RPM	"U" Dim.	Imp. Dia.	Imp. No.
B55571	10	1	3600	1-1/4"	7.56"	M07664
B55572	10	3	3600	1-1/4"	7.56"	M07664
B55573	15	3	3600	1-1/4"	8.31"	M07663
B55561	20	3	3600	1-1/4"	9.00"	M06933



26A (10-15 HP)
26B (20- HP)

1743 1210

Item No.	Part Description	Part Number
1	Case, Volute	L01026
2	Impeller	See Table I
13	Rings, Packing (Set of 6)	S13470
14	Sleeve, Shaft	S05149L
17	Gland, Packing	B82470
26A	Screw, Impeller 1/2 -13 x 1-1/4"	S23621
26B	Screw, Impeller 1/2 -13 x 1"	S23619
32	Key, 1/4 x 2-1/4" (See Note 1)	S23677
69	Washer, Impeller	S06319
71	Bracket	See Table II
73	O-Ring (See Note 2)	M14943
800A	Capscrew, 3/8 - 16 x 1" [8 Req.]	S26826
800B	Capscrew, 1/2 - 13 x 1-1/2" [4 Req.]	S26916
801	Stud, 3/8- 16 x 4" [2 Req.]	S08303
802	Nut, Hex 3/8 -16 [2 Req.]	S23343
805	Washer, Lock	S23038
810	Plug, Pipe 1/4 NPT [5 Req.]	S23715

Table II

HP	PH	Bracket No.	"AK" Fit	"U" Dim.	Motor Frame
10	1	L03827	8-1/2"	1-1/4"	215JP
10	3	L03827	8-1/2"	1-1/4"	213JP
15	3	L03827	8-1/2"	1-1/4"	215JP
20	3	L03827	8-1/2"	1-1/4"	254JP

NOTE 1: For an explanation of the tabulated material found on this page and for impeller key location, refer to **Supplement A** located at the beginning of this section.

NOTE 2: Also accepts gasket **S05126** as replacement for O-Ring. See **Supplement E** located at the beginning of this section.



BERKELEY® B2ZPLS

Cast Iron Impeller

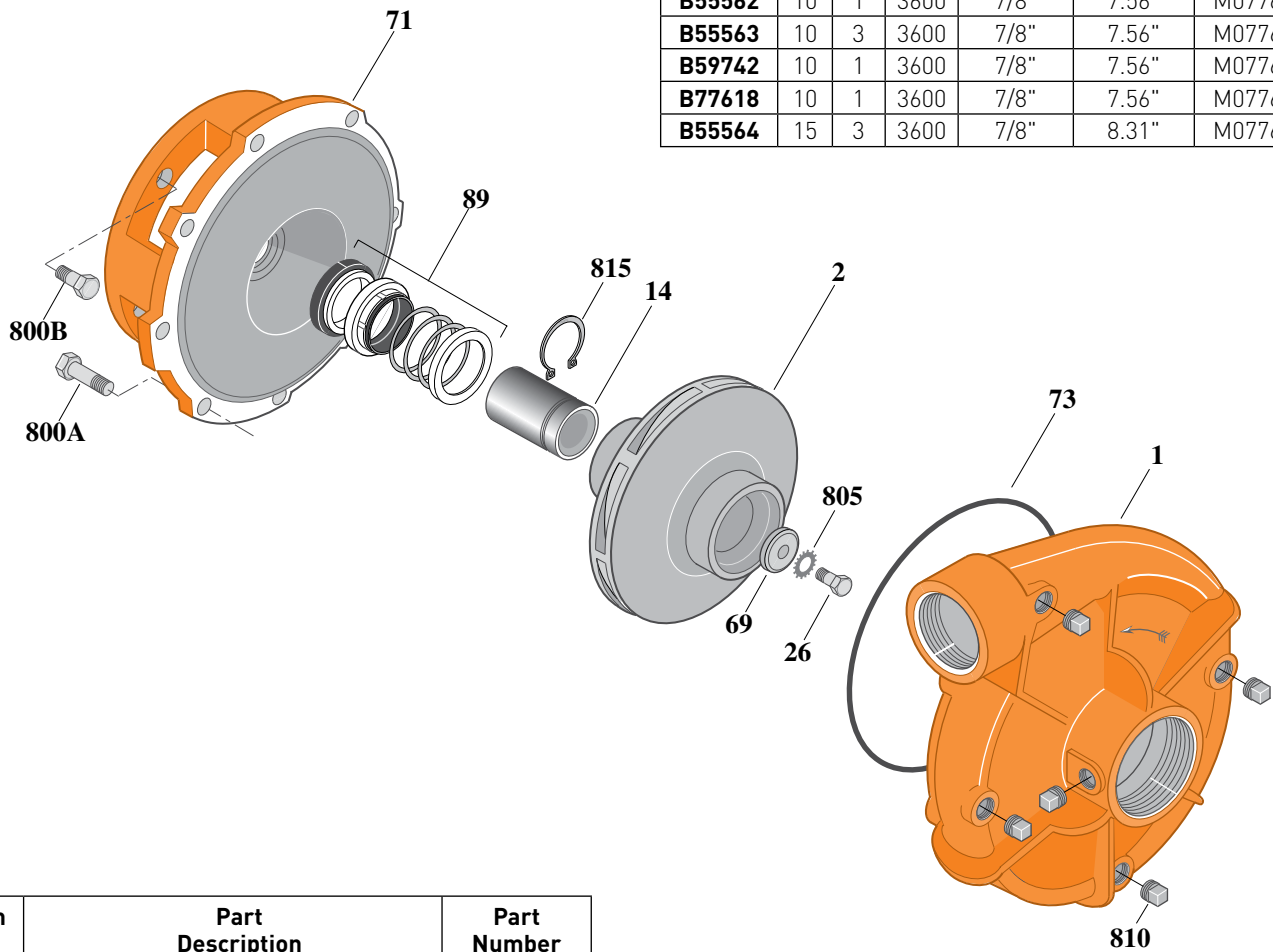
Threaded Case (NPT), Mechanical Shaft Seal Construction

ELECTRIC MOTOR DRIVE

Section	CC
Page	80.2
Date	March 4, 2013
Supersedes 07/01/11	

Table I

B/M No.	HP	PH	RPM	"U" Dim.	Imp. Dia.	Imp. No.
B55562	10	1	3600	7/8"	7.56"	M07761
B55563	10	3	3600	7/8"	7.56"	M07761
B59742	10	1	3600	7/8"	7.56"	M07761
B77618	10	1	3600	7/8"	7.56"	M07761
B55564	15	3	3600	7/8"	8.31"	M07762



Item No.	Part Description	Part Number
1	Case, Volute	L01026
2	Impeller	See Table I
14	Sleeve, Shaft	S19310L
26	Screw, Impeller 3/8 - 16 x 1"	S23566
32	Key, 3/16 x 1-1/4" (See Note 1)	S34383
69	Washer, Impeller	S06314
71	Bracket	See Table II
73	O-Ring (See Note 2)	M14943
89	Seal, Mechanical Shaft	S32014
800A	Cap screw, 3/8 - 16 x 1" (8 Req.)	S26826
800B	Cap screw, 1/2 - 13 x 1" (4 Req.)	S26912
805	Washer, Lock	S23036
810	Plug, Pipe 1/4 NPT (5 Req.)	S23715
815	Ring, Retaining	S11207

Table II

HP	PH	Bracket No.	"AK" Fit	"U" Dim.	Motor Frame
10	1	L05331	8-1/2"	7/8"	215JM
10	3	L05331	8-1/2"	7/8"	213JM
15	3	L05331	8-1/2"	7/8"	215JM

NOTE 1: For an explanation of the tabulated material found on this page and for impeller key location, refer to **Supplement A** located at the beginning of this section.

NOTE 2: Also accepts gasket **S05126** as replacement for O-Ring. See **Supplement E** located at the beginning of this section.



BERKELEY® B2ZPLS

Cast Iron Impeller

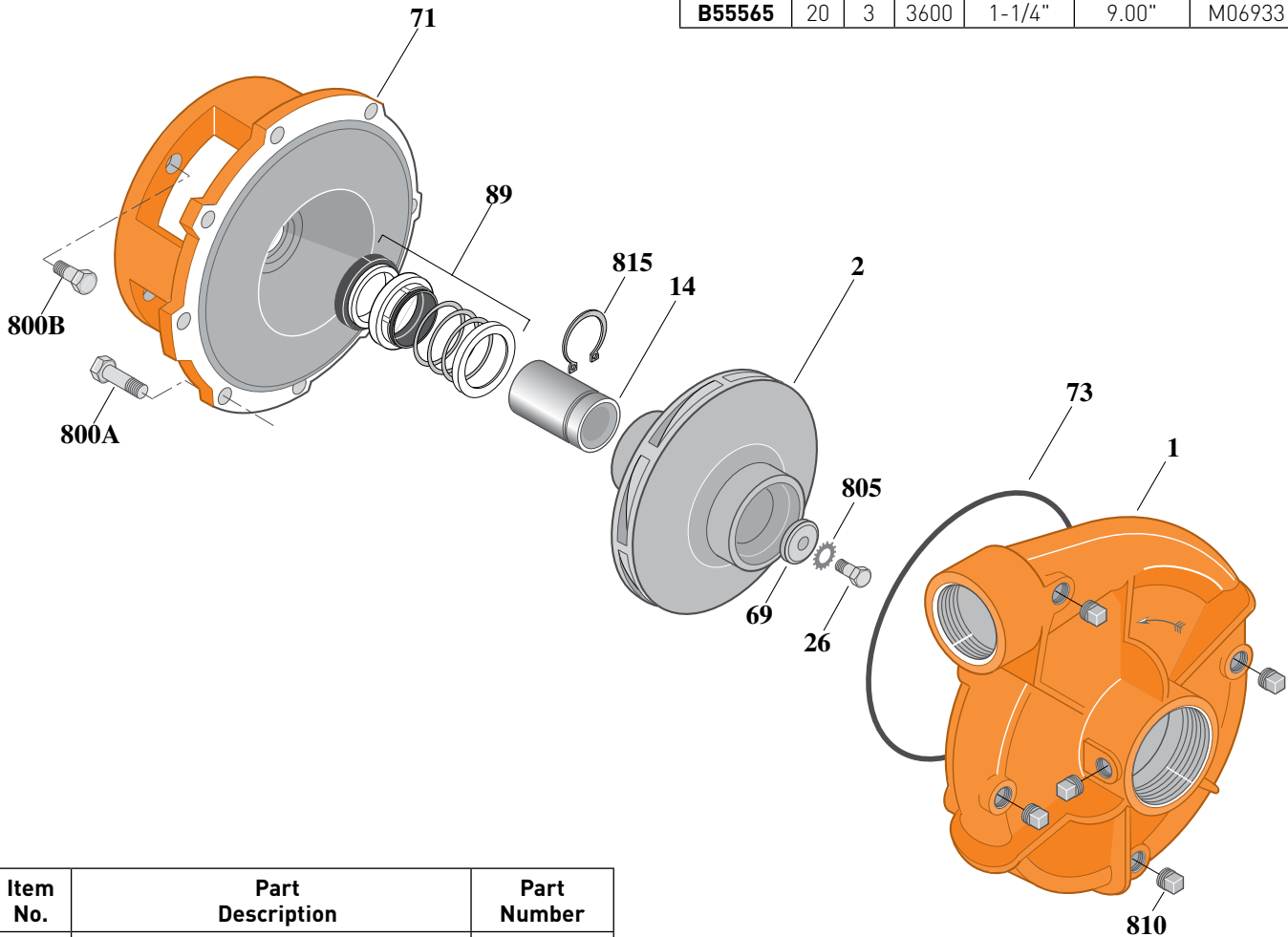
Threaded Case (NPT), Mechanical Shaft Seal Construction

ELECTRIC MOTOR DRIVE

Section	CC
Page	80.3
Date	March 4, 2013
Supersedes 07/01/11	

Table I

B/M No.	HP	PH	RPM	"U" Dim.	Imp. Dia.	Imp. No.
B55565	20	3	3600	1-1/4"	9.00"	M06933



1607 1210

Item No.	Part Description	Part Number
1	Case, Volute	L01026
2	Impeller	See Table I
14	Sleeve, Shaft	S18869L
26	Screw, Impeller 1/2 - 13 x 1"	S23619
32	Key, 1/4 x 2-1/4" [See Note 1]	S23677
69	Washer, Impeller	S06319
71	Bracket	See Table II
73	O-Ring [See Note 2]	M14943
89	Seal, Mechanical Shaft	S32015
800A	Capscrew, 3/8 - 16 x 1" [8 Req.]	S26826
800B	Capscrew, 1/2 - 13 x 1" [4 Req.]	S26912
805	Washer, Lock	S23038
810	Plug, Pipe 1/4 NPT [5 Req.]	S23715
815	Ring, Retaining	S16767

Table II

HP	PH	Bracket No.	"AK" Fit	"U" Dim.	Motor Frame
20	3	L04615	8-1/2"	1-1/4"	254JM

NOTE 1: For an explanation of the tabulated material found on this page and for impeller key location, refer to **Supplement A** located at the beginning of this section.

NOTE 2: Also accepts gasket **S05126** as replacement for O-Ring. See **Supplement E** located at the beginning of this section.



BERKELEY® B2ZPL

Silicon Bronze Impeller

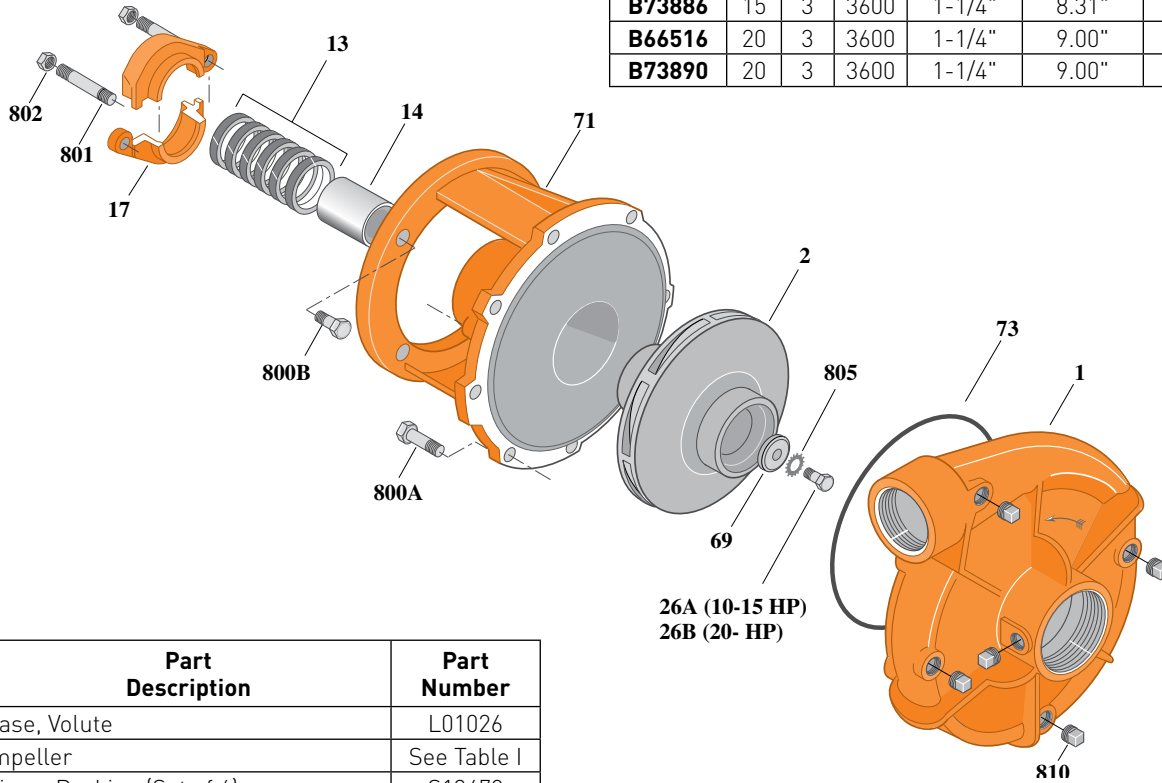
Threaded Case (NPT), Packing Construction

ELECTRIC MOTOR DRIVE

Section	CC
Page	80.4
Date	March 4, 2013
Supersedes 07/01/11	

Table I

B/M No.	HP	PH	RPM	"U" Dim.	Imp. Dia.	Imp. No.
B66546	10	1	3600	1-1/4"	7.56"	L06638
B73881	10	1	3600	1-1/4"	7.56"	L08073
B66547	10	3	3600	1-1/4"	7.56"	L06638
B73882	10	3	3600	1-1/4"	7.56"	L08073
B66515	15	3	3600	1-1/4"	8.31"	L06637
B73886	15	3	3600	1-1/4"	8.31"	L08074
B66516	20	3	3600	1-1/4"	9.00"	L06664
B73890	20	3	3600	1-1/4"	9.00"	L08075



Item No.	Part Description	Part Number
1	Case, Volute	L01026
2	Impeller	See Table I
13	Rings, Packing (Set of 6)	S13470
14	Sleeve, Shaft	S05149L
17	Gland, Packing	B82470
26A	Screw, Impeller 1/2 -13 x 1-1/4"	S23621
26B	Screw, Impeller 1/2 -13 x 1"	S23619
32	Key, 1/4 x 2-1/4" (See Note 1)	S23677
69	Washer, Impeller	S06319
71	Bracket	See Table II
73	O-Ring (See Note 2)	M14943
800A	Capscrew, 3/8 - 16 x 1" (8 Req.)	S26826
800B	Capscrew, 1/2 - 13 x 1-1/2" (4 Req.)	S26916
801	Stud, 3/8- 16 x 4" (2 Req.)	S08303
802	Nut, Hex 3/8 -16 (2 Req.)	S23343
805	Washer, Lock	S23038
810	Plug, Pipe 1/4 NPT (5 Req.)	S23715

Table II

HP	PH	Bracket No.	"AK" Fit	"U" Dim.	Motor Frame
10	1	L03827	8-1/2"	1-1/4"	215JP
10	3	L03827	8-1/2"	1-1/4"	213JP
15	3	L03827	8-1/2"	1-1/4"	215JP
20	3	L03827	8-1/2"	1-1/4"	254JP

NOTE 1: For an explanation of the tabulated material found on this page and for impeller key location, refer to **Supplement A** located at the beginning of this section.

NOTE 2: Also accepts gasket **S05126** as replacement for O-Ring. See **Supplement E** located at the beginning of this section.

BERKELEY® B2ZPLS Silicon Bronze Impeller

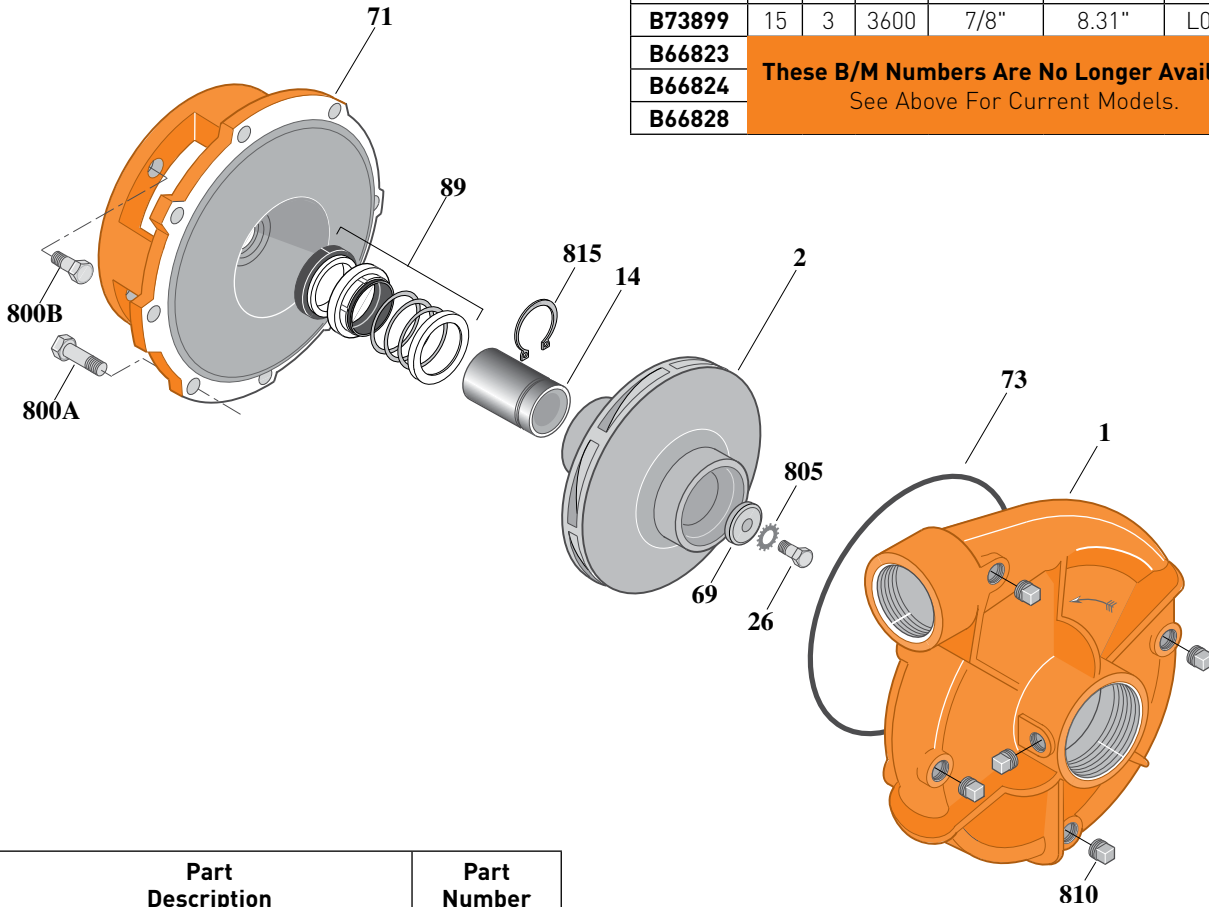
Threaded Case (NPT), Mechanical Shaft Seal Construction

ELECTRIC MOTOR DRIVE

Section	CC
Page	80.5
Date	March 4, 2013
Supersedes 07/01/11	

Table I

B/M No.	HP	PH	RPM	"U" Dim.	Imp. Dia.	Imp. No.
B73894	10	1	3600	7/8"	7.56"	L08076
B73895	10	3	3600	7/8"	7.56"	L08076
B73899	15	3	3600	7/8"	8.31"	L08077
B66823	These B/M Numbers Are No Longer Available. See Above For Current Models.					
B66824						
B66828						



Item No.	Part Description	Part Number
1	Case, Volute	L01026
2	Impeller	See Table I
14	Sleeve, Shaft	S19310L
26	Screw, Impeller 3/8 - 16 x 1"	S23566
32	Key, 3/16 x 1-1/4" (See Note 1)	S34383
69	Washer, Impeller	S06314
71	Bracket	See Table II
73	O-Ring (See Note 2)	M14943
89	Seal, Mechanical Shaft	S32014
800A	Capscrew, 3/8 - 16 x 1" (8 Req.)	S26826
800B	Capscrew, 1/2 - 13 x 1" (4 Req.)	S26912
805	Washer, Lock	S23036
810	Plug, Pipe 1/4 NPT (5 Req.)	S23715
815	Ring, Retaining	S11207

Table II

HP	PH	Bracket No.	"AK" Fit	"U" Dim.	Motor Frame
10	1	L05331	8-1/2"	7/8"	215JM
10	3	L05331	8-1/2"	7/8"	213JM
15	3	L05331	8-1/2"	7/8"	215JM

NOTE 1: For an explanation of the tabulated material found on this page and for impeller key location, refer to **Supplement A** located at the beginning of this section.

NOTE 2: Also accepts gasket **S05126** as replacement for O-Ring. See **Supplement E** located at the beginning of this section.



BERKELEY® B2ZPLS Silicon Bronze Impeller

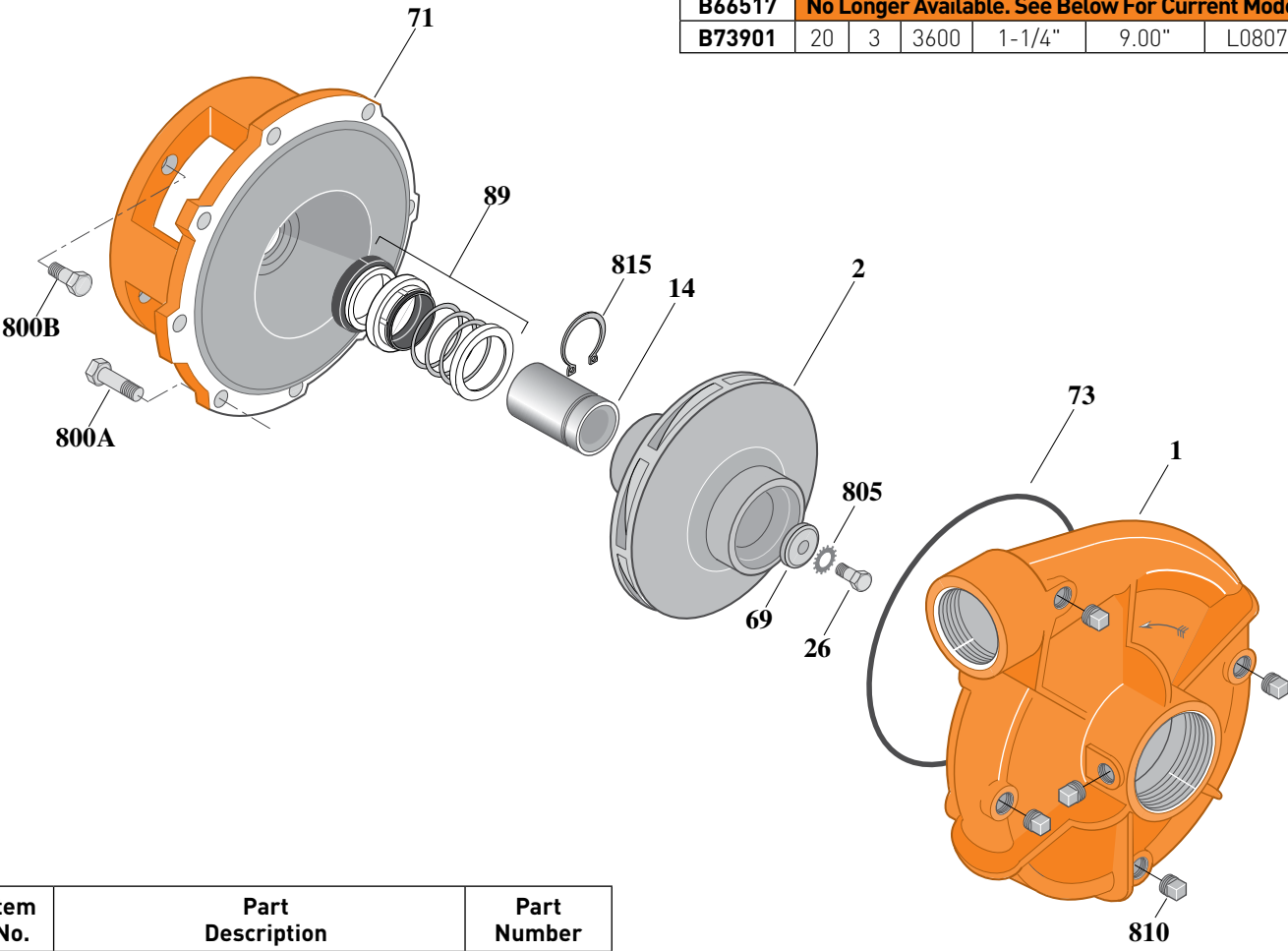
Threaded Case (NPT), Mechanical Shaft Seal Construction

ELECTRIC MOTOR DRIVE

Section	CC
Page	80.6
Date	March 4, 2013
Supersedes 07/01/11	

Table I

B/M No.	HP	PH	RPM	"U" Dim.	Imp. Dia.	Imp. No.
B66517	No Longer Available. See Below For Current Model.					
B73901	20	3	3600	1-1/4"	9.00"	L08075



1607 1210

Item No.	Part Description	Part Number
1	Case, Volute	L01026
2	Impeller	See Table I
14	Sleeve, Shaft	S18869L
26	Screw, Impeller 1/2 - 13 x 1"	S23619
32	Key, 1/4 x 2-1/4" [See Note 1]	S23677
69	Washer, Impeller	S06319
71	Bracket	See Table II
73	O-Ring [See Note 2]	M14943
89	Seal, Mechanical Shaft	S32015
800A	Capscrew, 3/8 - 16 x 1" [8 Req.]	S26826
800B	Capscrew, 1/2 - 13 x 1" [4 Req.]	S26912
805	Washer, Lock	S23038
810	Plug, Pipe 1/4 NPT [5 Req.]	S23715
815	Ring, Retaining	S16767

Table II

HP	PH	Bracket No.	"AK" Fit	"U" Dim.	Motor Frame
20	3	L04615	8-1/2"	1-1/4"	254JM

NOTE 1: For an explanation of the tabulated material found on this page and for impeller key location, refer to **Supplement A** located at the beginning of this section.

NOTE 2: Also accepts gasket **S05126** as replacement for O-Ring. See **Supplement E** located at the beginning of this section.



BERKELEY® B2ZPL

Silicon Bronze Impeller

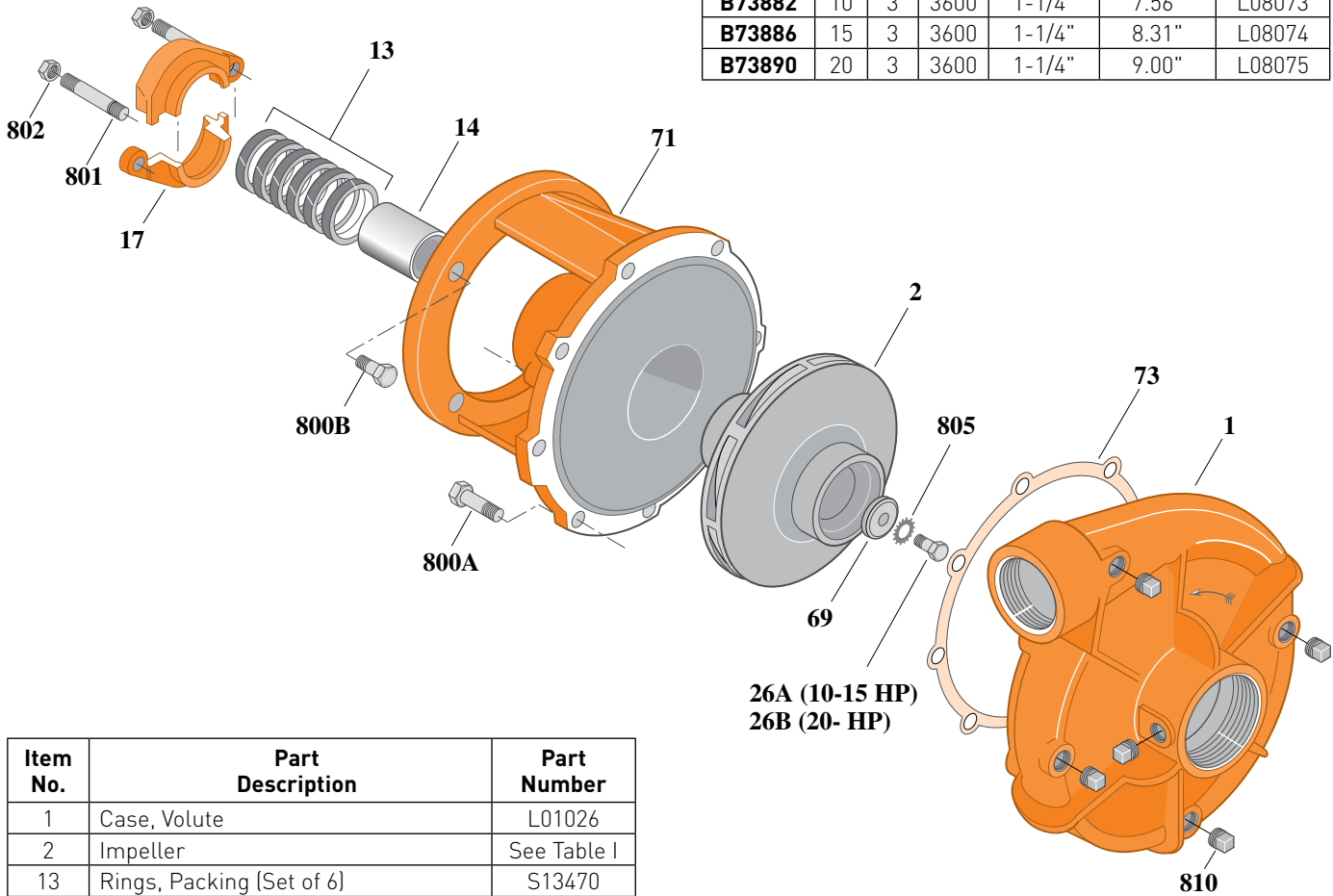
Threaded Case (NPT), Packing Construction

ELECTRIC MOTOR DRIVE

Section	CC
Page	80.7
Date	March 4, 2013
Supersedes 09/01/97	

Table I

B/M No.	HP	PH	RPM	"U" Dim.	Imp. Dia.	Imp. No.
B73881	10	1	3600	1-1/4"	7.56"	L08073
B73882	10	3	3600	1-1/4"	7.56"	L08073
B73886	15	3	3600	1-1/4"	8.31"	L08074
B73890	20	3	3600	1-1/4"	9.00"	L08075



1743 0495

Item No.	Part Description	Part Number
1	Case, Volute	L01026
2	Impeller	See Table I
13	Rings, Packing (Set of 6)	S13470
14	Sleeve, Shaft	S05149
17	Gland, Packing	S12034
26A	Screw, Impeller 1/2 -13 x 1-1/4"	S23621
26B	Screw, Impeller 1/2 -13 x 1"	S23619
32	Key, 1/4 x 2-1/4" (See Note)	S23677
69	Washer, Impeller	S06319
71	Bracket	See Table II
73	Gasket, Volute	S05126
800A	Capscrew, 3/8 - 16 x 1" (8 Req.)	S26826
800B	Capscrew, 1/2 - 13 x 1-1/2" (4 Req.)	S26916
801	Stud, 3/8- 16 x 4" (2 Req.)	S08303
802	Nut, Hex 3/8 -16 (2 Req.)	S23343
805	Washer, Lock	S23038
810	Plug, Pipe 1/4" NPT (5 Req.)	S23715

Table II

HP	PH	Bracket No.	"AK" Fit	"U" Dim.	Motor Frame
10	1	L03827	8-1/2"	1-1/4"	215JP
10	3	L03827	8-1/2"	1-1/4"	213JP
15	3	L03827	8-1/2"	1-1/4"	215JP
20	3	L03827	8-1/2"	1-1/4"	254JP

NOTE: For an explanation of the tabulated material found on this page and for impeller key location, refer to **Supplement A** located at the beginning of this section.



BERKELEY® B2ZPL

Silicon Bronze Impeller

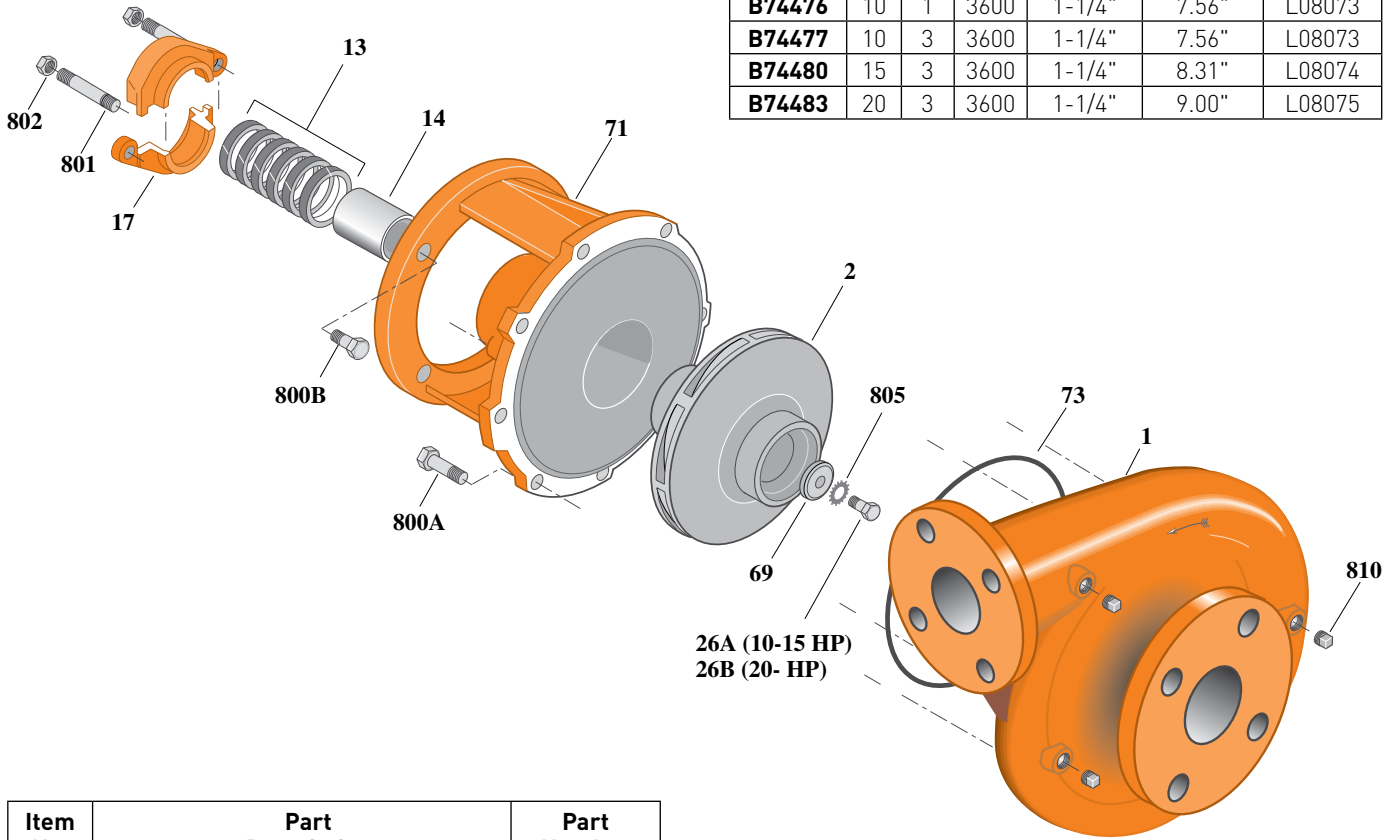
Flanged Case, Packing Construction

ELECTRIC MOTOR DRIVE

Section	CC
Page	80.8
Date	March 4, 2013
Supersedes 07/01/11	

Table I

B/M No.	HP	PH	RPM	"U" Dim.	Imp. Dia.	Imp. No.
B74476	10	1	3600	1-1/4"	7.56"	L08073
B74477	10	3	3600	1-1/4"	7.56"	L08073
B74480	15	3	3600	1-1/4"	8.31"	L08074
B74483	20	3	3600	1-1/4"	9.00"	L08075



1743B 1210

Item No.	Part Description	Part Number
1	Case, Volute	H05524
2	Impeller	See Table I
13	Rings, Packing [Set of 6]	S13470
14	Sleeve, Shaft	S05149L
17	Gland, Packing	B82470
26A	Screw, Impeller 1/2 -13 x 1-1/4"	S23621
26B	Screw, Impeller 1/2 -13 x 1"	S23619
32	Key, 1/4 x 2-1/4" [See Note 1]	S23677
69	Washer, Impeller	S06319
71	Bracket	See Table II
73	O-Ring [See Note 2]	M14943
800A	Capscrew, 3/8 - 16 x 1" [8 Req.]	S26826
800B	Capscrew, 1/2 - 13 x 1-1/2" [4 Req.]	S26916
801	Stud, 3/8- 16 x 4" [2 Req.]	S08303
802	Nut, Hex 3/8 -16 [2 Req.]	S23343
805	Washer, Lock	S23038
810	Plug, Pipe 1/4" NPT [4 Req.]	S23715

Table II

HP	PH	Bracket No.	"AK" Fit	"U" Dim.	Motor Frame
10	1	L03827	8-1/2"	1-1/4"	215JP
10	3	L03827	8-1/2"	1-1/4"	213JP
15	3	L03827	8-1/2"	1-1/4"	215JP
20	3	L03827	8-1/2"	1-1/4"	254JP

NOTE 1: For an explanation of the tabulated material found on this page and for impeller key location, refer to **Supplement A** located at the beginning of this section.

NOTE 2: Also accepts gasket **S05126** as replacement for O-ring. See **Supplement E** located at the beginning of this section.



BERKELEY® B2ZPLS Silicon Bronze Impeller

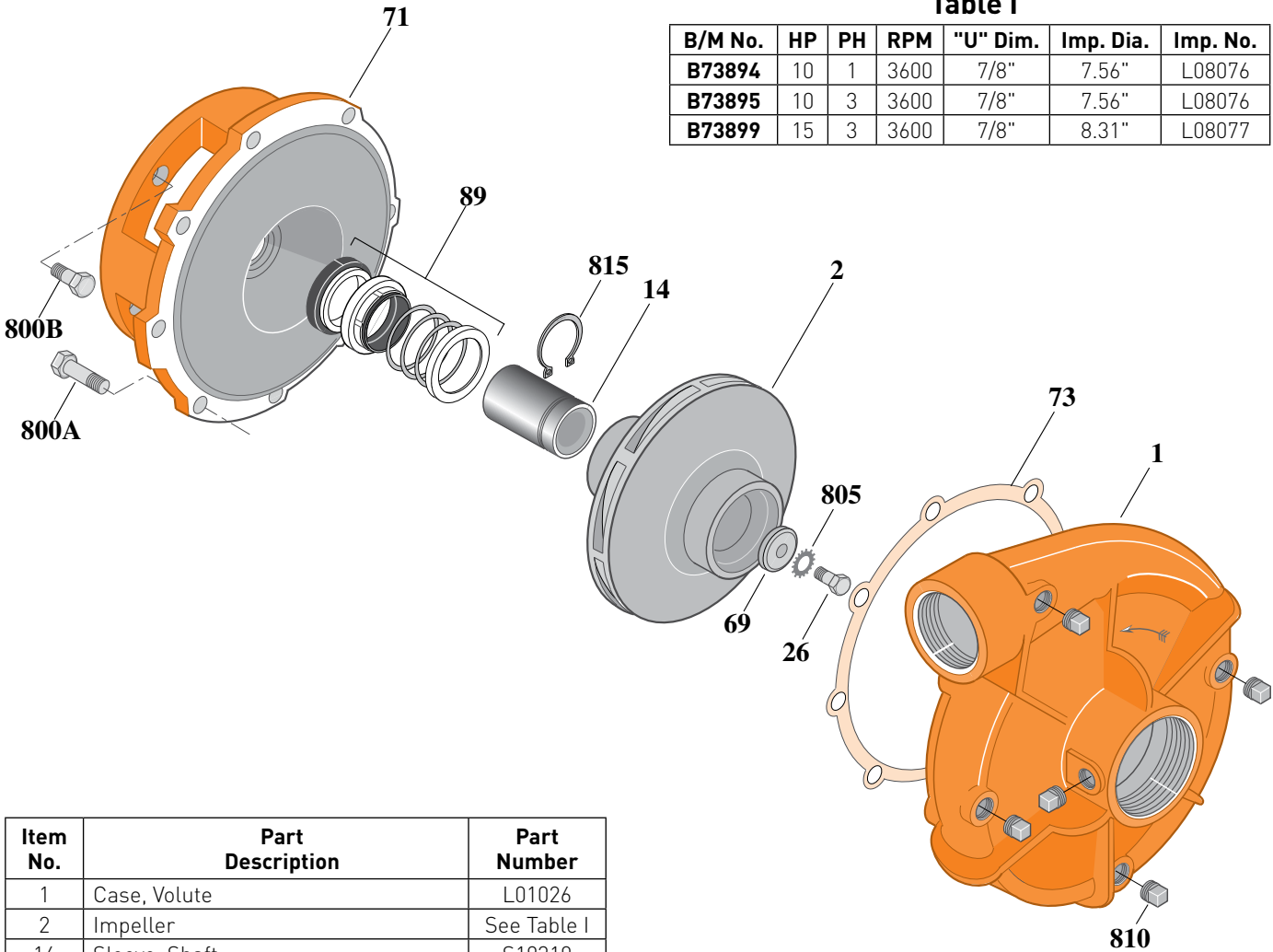
Threaded Case (NPT), Mechanical Shaft Seal Construction

ELECTRIC MOTOR DRIVE

Section	CC
Page	80.9
Date	March 4, 2013
Supersedes 09/01/97	

Table I

B/M No.	HP	PH	RPM	"U" Dim.	Imp. Dia.	Imp. No.
B73894	10	1	3600	7/8"	7.56"	L08076
B73895	10	3	3600	7/8"	7.56"	L08076
B73899	15	3	3600	7/8"	8.31"	L08077



1497 0195

Item No.	Part Description	Part Number
1	Case, Volute	L01026
2	Impeller	See Table I
14	Sleeve, Shaft	S19310
26	Screw, Impeller 3/8 - 16 x 1"	S23566
32	Key, 3/16 x 1-1/4" [See Note 1]	S34383
69	Washer, Impeller	S06314
71	Bracket	See Table II
73	Gasket, Volute	S05126
89	Seal, Mechanical Shaft	S32014
800A	Capscrew, 3/8 - 16 x 1" (8 Req.)	S26826
800B	Capscrew, 1/2 - 13 x 1" (4 Req.)	S26912
805	Washer, Lock	S23036
810	Plug, Pipe 1/4" NPT (5 Req.)	S23715
815	Ring, Retaining	S11207
•	Plug, Pipe 1/8" NPT (In Bracket)	S23714

• Not illustrated.

Table II

HP	PH	Bracket No.	"AK" Fit	"U" Dim.	Motor Frame
10	1	L05331	8-1/2"	7/8"	215JM
10	3	L05331	8-1/2"	7/8"	213JM
15	3	L05331	8-1/2"	7/8"	215JM

NOTE 1: For an explanation of the tabulated material found on this page and for impeller key location, refer to **Supplement A** located at the beginning of this section.

NOTE 2: For seal flush line details, see **Supplement D**.



BERKELEY® B2ZPLS Silicon Bronze Impeller

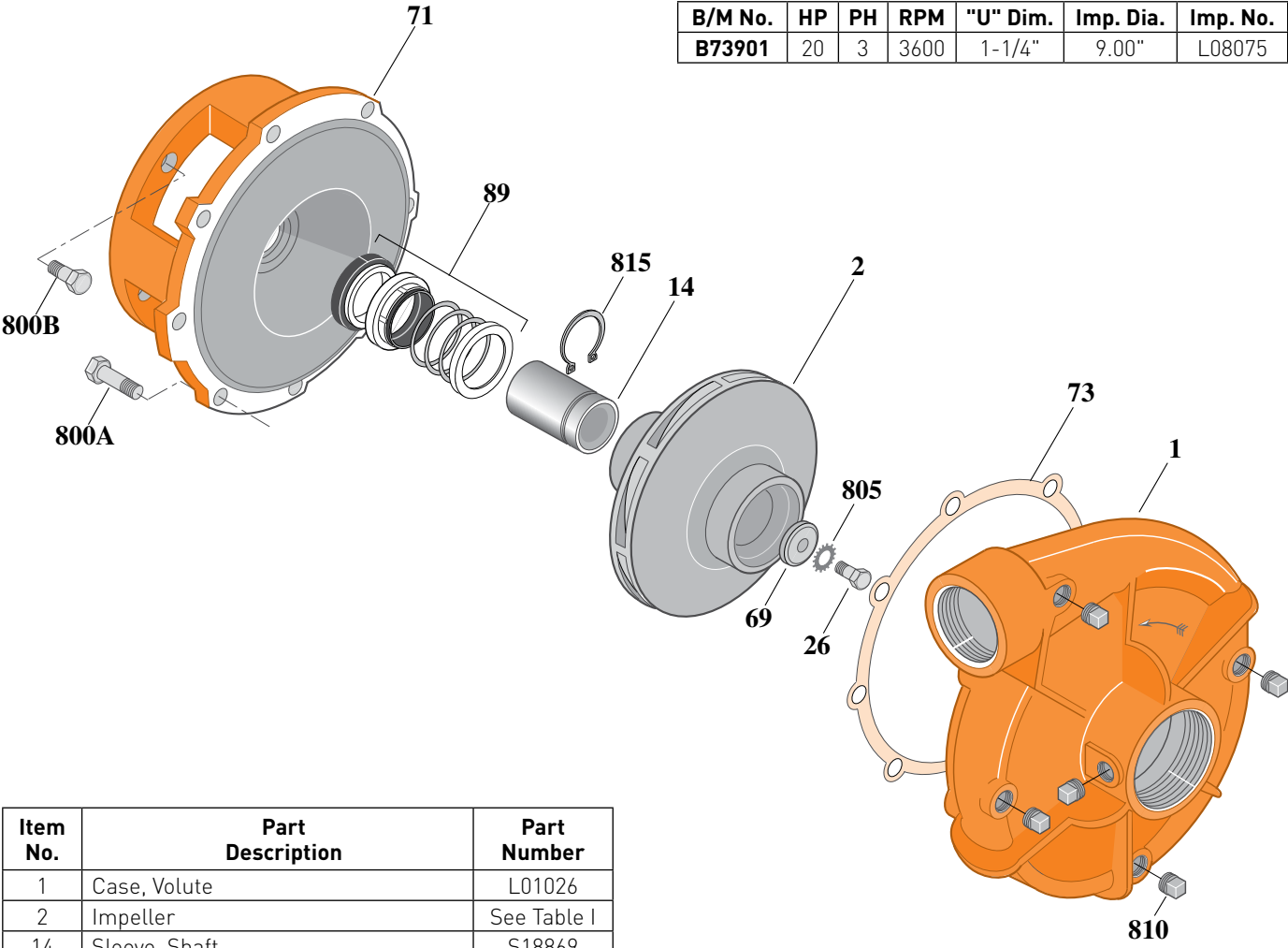
Threaded Case (NPT), Mechanical Shaft Seal Construction

ELECTRIC MOTOR DRIVE

Section	CC
Page	80.10
Date	March 4, 2013
Supersedes 09/01/97	

Table I

B/M No.	HP	PH	RPM	"U" Dim.	Imp. Dia.	Imp. No.
B73901	20	3	3600	1-1/4"	9.00"	L08075



1607 0195

Item No.	Part Description	Part Number
1	Case, Volute	L01026
2	Impeller	See Table I
14	Sleeve, Shaft	S18869
26	Screw, Impeller 1/2 - 13 x 1"	S23619
32	Key, 1/4 x 2-1/4" (See Note 1)	S23677
69	Washer, Impeller	S06319
71	Bracket	See Table II
73	Gasket, Volute	S05126
89	Seal, Mechanical Shaft	S32015
800A	Capscrew, 3/8 - 16 x 1" (8 Req.)	S26826
800B	Capscrew, 1/2 - 13 x 1" (4 Req.)	S26912
805	Washer, Lock	S23038
810	Plug, Pipe 1/4" NPT (5 Req.)	S23715
815	Ring, Retaining	S16767
•	Plug, Pipe 1/8" NPT (In Bracket)	S23714

• Not illustrated.

Table II

HP	PH	Bracket No.	"AK" Fit	"U" Dim.	Motor Frame
20	3	L04615	8-1/2"	1-1/4"	254JM

NOTE 1: For an explanation of the tabulated material found on this page and for impeller key location, refer to **Supplement A** located at the beginning of this section.

NOTE 2: For seal flush line details, see **Supplement D**.



BERKELEY® B2ZPLS Silicon Bronze Impeller

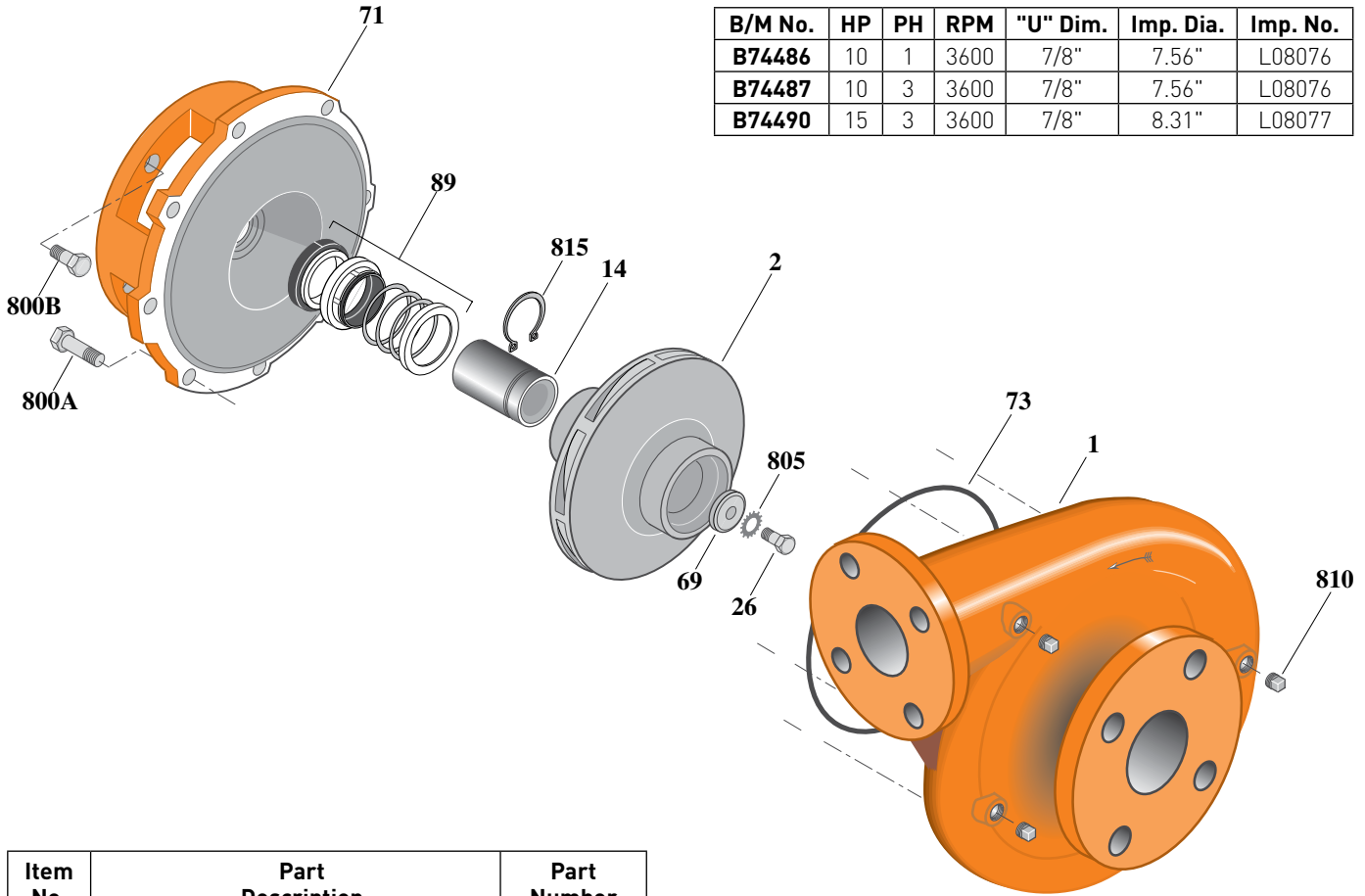
Flanged Case, Mechanical Shaft Seal Construction

ELECTRIC MOTOR DRIVE

Section	CC
Page	80.11
Date	March 4, 2013
Supersedes 07/01/11	

Table I

B/M No.	HP	PH	RPM	"U" Dim.	Imp. Dia.	Imp. No.
B74486	10	1	3600	7/8"	7.56"	L08076
B74487	10	3	3600	7/8"	7.56"	L08076
B74490	15	3	3600	7/8"	8.31"	L08077



1497B 1210

Item No.	Part Description	Part Number
1	Case, Volute	H05524
2	Impeller	See Table I
14	Sleeve, Shaft	S19310L
26	Screw, Impeller 3/8 - 16 x 1"	S23566
32	Key, 3/16 x 1-1/4" (See Note 1)	S34383
69	Washer, Impeller	S06314
71	Bracket	See Table II
73	O-Ring (See Note 2)	M14943
89	Seal, Mechanical Shaft	S32014
800A	Capscrew, 3/8 - 16 x 1" (8 Req.)	S26826
800B	Capscrew, 1/2 - 13 x 1" (4 Req.)	S26912
805	Washer, Lock	S23036
810	Plug, Pipe 1/4" NPT (4 Req.)	S23715
815	Ring, Retaining	S11207
•	Plug, Pipe 1/8" NPT (In Bracket)	S23714

• Not illustrated.

Table II

HP	PH	Bracket No.	"AK" Fit	"U" Dim.	Motor Frame
10	1	L05331	8-1/2"	7/8"	215JM
10	3	L05331	8-1/2"	7/8"	213JM
15	3	L05331	8-1/2"	7/8"	215JM

NOTE 1: For an explanation of the tabulated material found on this page and for impeller key location, refer to **Supplement A** located at the beginning of this section.

NOTE 2: Also accepts gasket **S05126** as replacement for O-Ring. See **Supplement E** located at the beginning of this section.

NOTE 3: For seal flush line details, see **Supplement D**.



BERKELEY® B2ZPLS Silicon Bronze Impeller

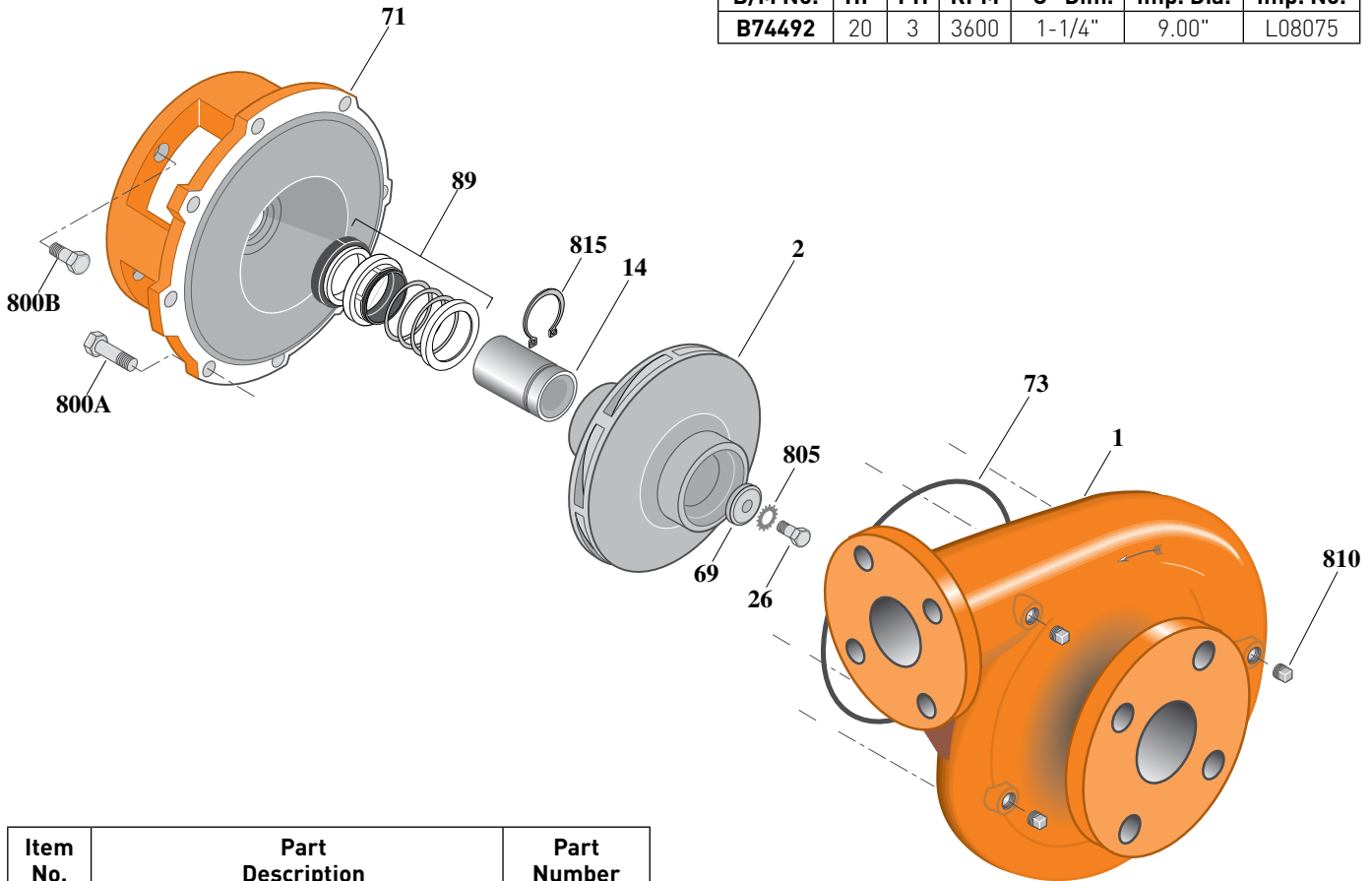
Flanged Case, Mechanical Shaft Seal Construction

ELECTRIC MOTOR DRIVE

Section	CC
Page	80.12
Date	March 4, 2013
Supersedes 07/01/11	

Table I

B/M No.	HP	PH	RPM	"U" Dim.	Imp. Dia.	Imp. No.
B74492	20	3	3600	1-1/4"	9.00"	L08075



1607B 1210

Item No.	Part Description	Part Number
1	Case, Volute	H05524
2	Impeller	See Table I
14	Sleeve, Shaft	S18869L
26	Screw, Impeller 1/2 - 13 x 1"	S23619
32	Key, 1/4 x 2-1/4" (See Note 1)	S23677
69	Washer, Impeller	S06319
71	Bracket	See Table II
73	O-Ring (See Note 2)	M14943
89	Seal, Mechanical Shaft	S32015
800A	Cap screw, 3/8 - 16 x 1" (8 Req.)	S26826
800B	Cap screw, 1/2 - 13 x 1" (4 Req.)	S26912
805	Washer, Lock	S23038
810	Plug, Pipe 1/4" NPT (4 Req.)	S23715
815	Ring, Retaining	S16767
•	Plug, Pipe 1/8" NPT (In Bracket)	S23714

• Not illustrated.

Table II

HP	PH	Bracket No.	"AK" Fit	"U" Dim.	Motor Frame
20	3	L04615	8-1/2"	1-1/4"	254JM

NOTE 1: For an explanation of the tabulated material found on this page and for impeller key location, refer to **Supplement A** located at the beginning of this section.

NOTE 2: Also accepts gasket **S05126** as replacement for O-Ring. See **Supplement E** located at the beginning of this section.

NOTE 3: For seal flush line details, see **Supplement D**.



BERKELEY® B2ZPH

Cast Iron Impeller

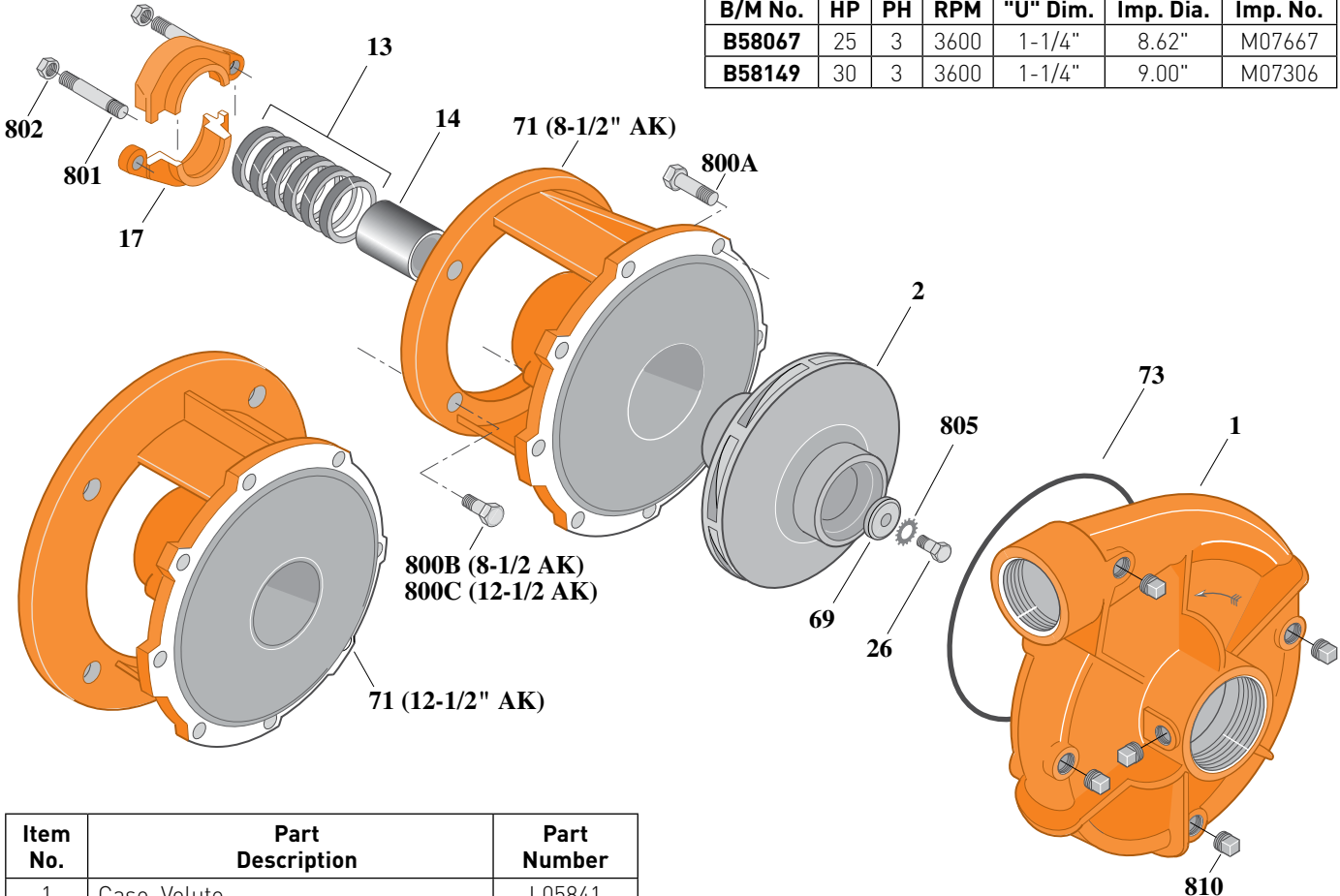
Threaded Case (NPT), Packing Construction

ELECTRIC MOTOR DRIVE

Section	CC
Page	90.1
Date	March 4, 2013
Supersedes 07/01/11	

Table I

B/M No.	HP	PH	RPM	"U" Dim.	Imp. Dia.	Imp. No.
B58067	25	3	3600	1-1/4"	8.62"	M07667
B58149	30	3	3600	1-1/4"	9.00"	M07306



1744 1210

Item No.	Part Description	Part Number
1	Case, Volute	L05841
2	Impeller	See Table I
13	Rings, Packing (Set of 6)	S13470
14	Sleeve, Shaft	S05149L
17	Gland, Packing	B82470
26	Screw, Impeller 1/2 - 13 x 1"	S23619
32	Key, 1/4 x 2-1/4" [See Note 1]	S23677
69	Washer, Impeller	S06319
71	Bracket	See Table II
73	O-Ring [See Note 2]	M14943
800A	Capscrew, 3/8 - 16 x 1" [8 Req.]	S26826
800B	Capscrew, 1/2 - 13 x 1-1/2" [4 Req.]	S26916
800C	Capscrew, 5/8 - 11 x 1-1/2" [4 Req.]	S26999
801	Stud, 3/8 - 16 x 4" [2 Req.]	S08303
802	Nut, Hex 3/8 - 16 [2 Req.]	S23343
805	Washer, Lock	S23038
810	Plug, Pipe 1/4 NPT [5 Req.]	S23175

Table II

HP	PH	Bracket No.	"AK" Fit	"U" Dim.	Motor Frame
25	3	L03827	8-1/2"	1-1/4"	256JP
30	3	L01563	12-1/2"	1-1/4"	284JP

NOTE 1: For an explanation of the tabulated material found on this page and for impeller key location, refer to **Supplement A** located at the beginning of this section.

NOTE 2: Also accepts gasket **S05126** as replacement for O-Ring. See **Supplement E** located at the beginning of this section.



BERKELEY® B2ZPHS

Cast Iron Impeller

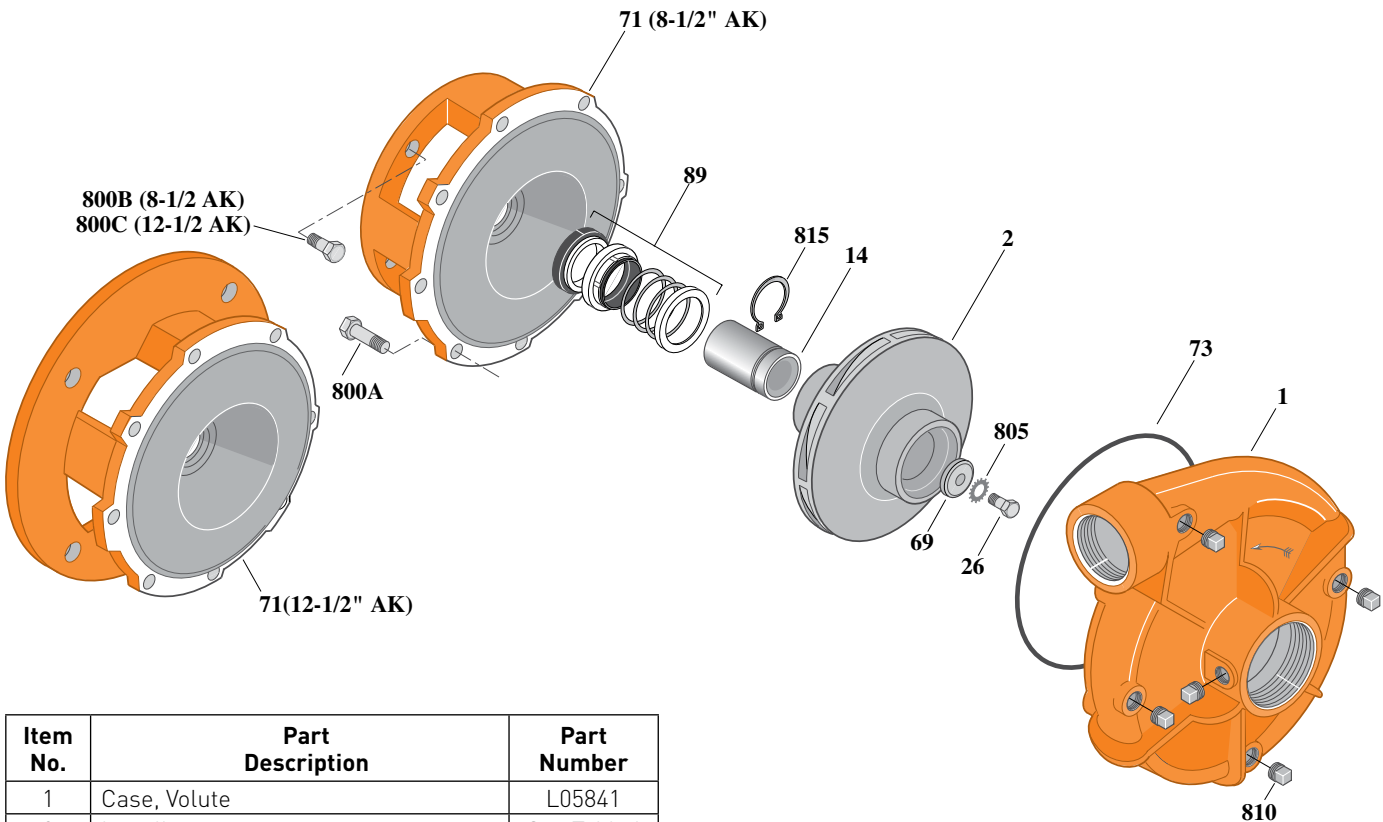
Threaded Case (NPT), Mechanical Shaft Seal Construction

ELECTRIC MOTOR DRIVE

Section	CC
Page	90.2
Date	March 4, 2013
Supersedes 07/01/11	

Table I

B/M No.	HP	PH	RPM	"U" Dim.	Imp. Dia.	Imp. No.
B58068	25	3	3600	1-1/4"	8.62"	M07667
B58069	30	3	3600	1-1/4"	9.00"	M07306



1608 1210

Item No.	Part Description	Part Number
1	Case, Volute	L05841
2	Impeller	See Table I
14	Sleeve, Shaft	S18869L
26	Screw, Impeller 1/2 - 13 x 1"	S23619
32	Key, 1/4 x 2-1/4" [See Note 1]	S23677
69	Washer, Impeller	S06319
71	Bracket	See Table II
73	O-Ring [See Note 2]	M14943
89	Seal, Mechanical Shaft	S32015
800A	Capscrew, 3/8 - 16 x 1" [8 Req.]	S26826
800B	Capscrew, 1/2 - 13 x 1" [4 Req.] [For 8-1/2 AK]	S26912
800B	Capscrew, 5/8 - 11 x 1-1/4" [4 Req.] [For 12-1/2 AK]	S26997
805	Washer, Lock	S23038
810	Plug, Pipe 1/4 NPT [5 Req.]	S23715
815	Ring, Retaining	S16767

Table II

HP	PH	Bracket No.	"AK" Fit	"U" Dim.	Motor Frame
25	3	L04615	8-1/2"	1-1/4"	256JM
30	3	L04627	12-1/2"	1-1/4"	284JM

NOTE 1: For an explanation of the tabulated material found on this page and for impeller key location, refer to **Supplement A** located at the beginning of this section.

NOTE 2: Also accepts gasket **S05126** as replacement for O-Ring. See **Supplement E** located at the beginning of this section.



BERKELEY® B2ZPHS

Cast Iron Impeller

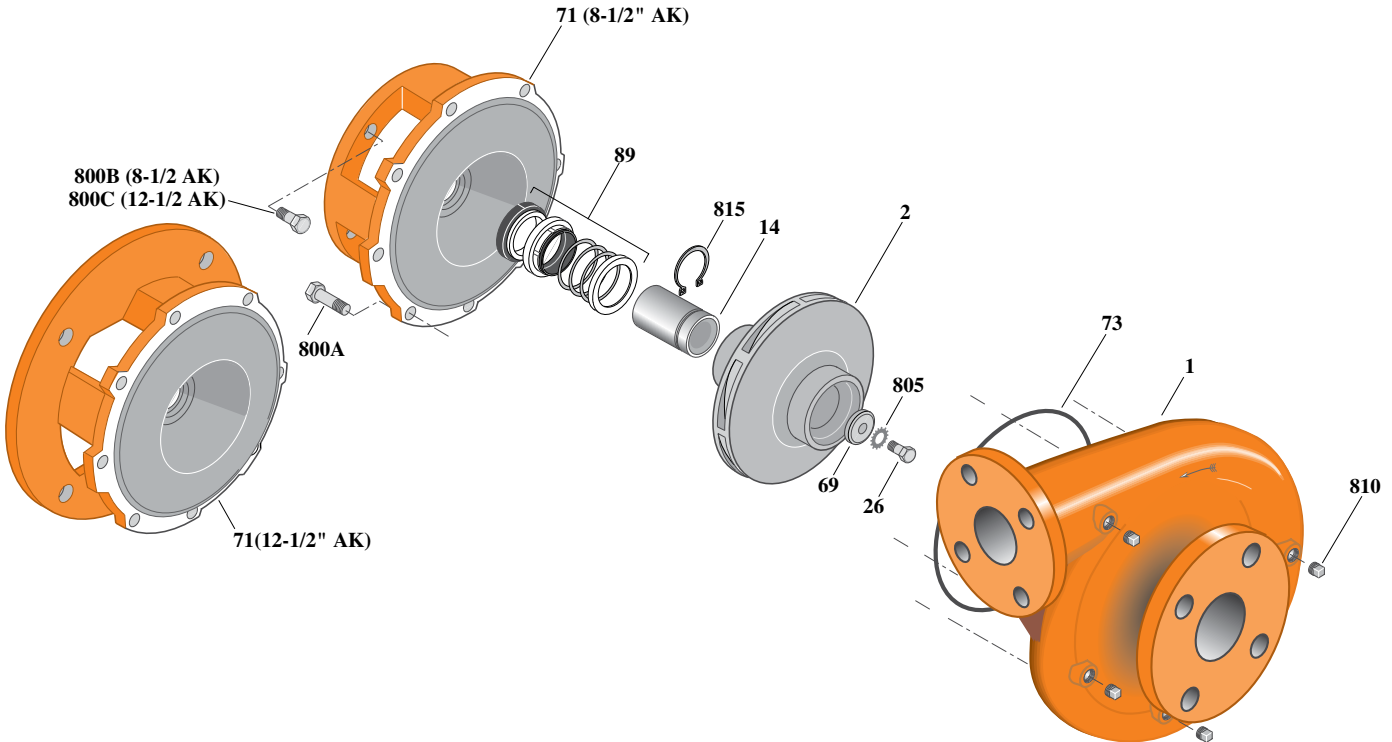
Flanged Case, Mechanical Shaft Seal Construction

ELECTRIC MOTOR DRIVE

Section	CC
Page	90.3
Date	March 4, 2013
Supersedes 07/01/11	

Table I

B/M No.	HP	PH	RPM	"U" Dim.	Imp. Dia.	Imp. No.
B76253	25	3	3600	1-1/4"	8.62"	M07667
B76304	30	3	3600	1-1/4"	9.00"	M07306



1608 1210 FL

Item No.	Part Description	Part Number
1	Case, Volute	H05543
2	Impeller	See Table I
14	Sleeve, Shaft	S18869L
26	Screw, Impeller 1/2 - 13 x 1"	S23619
32	Key, 1/4 x 2-1/4" [See Note 1]	S23677
69	Washer, Impeller	S06319
71	Bracket	See Table II
73	O-Ring [See Note 2]	M14943
89	Seal, Mechanical Shaft	S32015
800A	Capscrew, 3/8 - 16 x 1" [8 Req.]	S26826
800B	Capscrew, 1/2 - 13 x 1" [4 Req.] [For 8-1/2 AK]	S26912
800B	Capscrew, 5/8 - 11 x 1-1/4" [4 Req.] [For 12-1/2 AK]	S26997
805	Washer, Lock	S23038
810	Plug, Pipe 1/4 NPT [5 Req.]	S23715
815	Ring, Retaining	S16767

Table II

HP	PH	Bracket No.	"AK" Fit	"U" Dim.	Motor Frame
25	3	L04615	8-1/2"	1-1/4"	256JM
30	3	L04627	12-1/2"	1-1/4"	284JM

NOTE 1: For an explanation of the tabulated material found on this page and for impeller key location, refer to **Supplement A** located at the beginning of this section.

NOTE 2: Also accepts gasket **S05126** as replacement for O-Ring. See **Supplement E** located at the beginning of this section.



BERKELEY® B2EPBL

Cast Iron Impeller

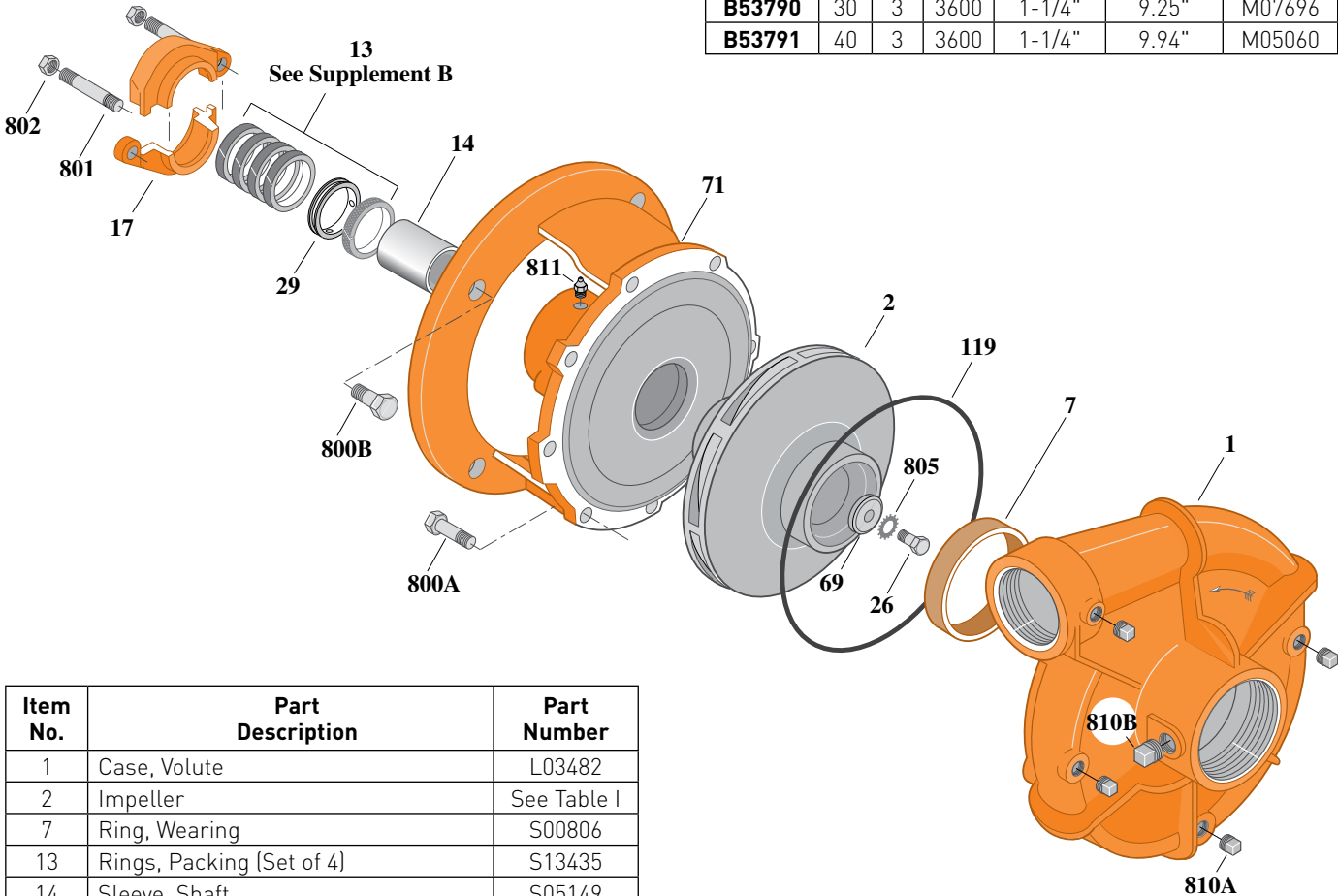
Threaded Case (NPT), Packing Construction

ELECTRIC MOTOR DRIVE

Section	CC
Page	100.1
Date	March 4, 2013
Supersedes 01/01/04	

Table I

B/M No.	HP	PH	RPM	"U" Dim.	Imp. Dia.	Imp. No.
B53790	30	3	3600	1-1/4"	9.25"	M07696
B53791	40	3	3600	1-1/4"	9.94"	M05060



1754 0495

Item No.	Part Description	Part Number
1	Case, Volute	L03482
2	Impeller	See Table I
7	Ring, Wearing	S00806
13	Rings, Packing (Set of 4)	S13435
14	Sleeve, Shaft	S05149
17	Gland, Packing	B82470
26	Screw, Impeller 1/2 - 13 x 1-1/4"	S23621
29	Ring, Lantern	S19200
32	Key, 1/4 x 2-1/4" (See Note)	S23677
69	Washer, Impeller	S06319
71	Bracket	See Table II
119	O-Ring	S13760
800A	Cap screw, 1/2 - 13 x 1-1/4" [8 Req.]	S26914
800B	Cap screw, 5/8 - 11 x 1-1/2" [4 Req.]	S26999
801	Stud, 3/8 - 16 x 2-1/2" [2 Req.]	S04438
802	Nut, Hex 3/8 - 16 [2 Req.]	S23343
805	Washer, Lock	S23038
810A	Plug, Pipe 1/4 NPT [4 Req.]	S23715
810B	Plug, Pipe 1/2 NPT	S23717
811	Fitting, Grease	S23700

Table II

HP	PH	Bracket No.	"AK" Fit	"U" Dim.	Motor Frame
30	3	L03712	12-1/2"	1-1/4"	284JP
40	3	L03712	12-1/2"	1-1/4"	286JP

NOTE: For an explanation of the tabulated material found on this page and for impeller key location, refer to **Supplement A** located at the beginning of this section.



BERKELEY® B2EPBLS

Cast Iron Impeller

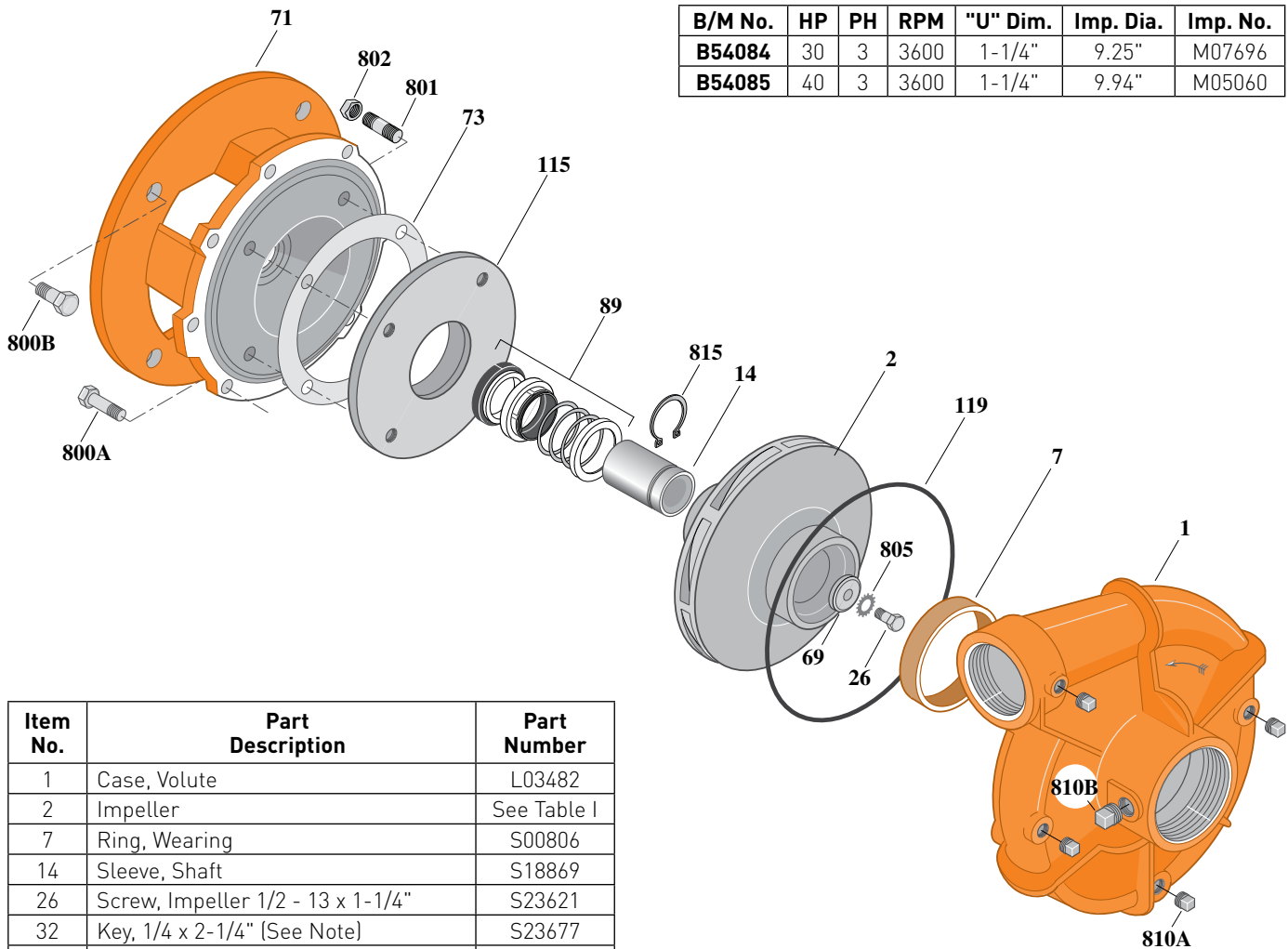
Threaded Case (NPT), Mechanical Shaft Seal Construction

ELECTRIC MOTOR DRIVE

Section	CC
Page	100.2
Date	March 4, 2013
Supersedes 01/01/04	

Table I

B/M No.	HP	PH	RPM	"U" Dim.	Imp. Dia.	Imp. No.
B54084	30	3	3600	1-1/4"	9.25"	M07696
B54085	40	3	3600	1-1/4"	9.94"	M05060



1624 0295

Item No.	Part Description	Part Number
1	Case, Volute	L03482
2	Impeller	See Table I
7	Ring, Wearing	S00806
14	Sleeve, Shaft	S18869
26	Screw, Impeller 1/2 - 13 x 1-1/4"	S23621
32	Key, 1/4 x 2-1/4" (See Note)	S23677
69	Washer, Impeller	S06319
71	Bracket	See Table II
73	Gasket, Balance Ring	S09943
89	Seal, Mechanical Shaft	S32015
115	Ring, Balance	S19262
119	O-Ring	S13760
800A	Capscrew, 1/2 - 13 x 1-1/4" [8 Req.]	S26914
800B	Capscrew, 5/8 - 11 x 1-1/2" [4 Req.]	S26999
801	Stud, 3/8 - 16 x 1-1/4" [4 Req.]	S23994
802	Nut, 3/8 - 16 [4 Req.]	S23103
805	Washer, Lock	S23038
810A	Plug, Pipe 1/4 NPT [4 Req.]	S23715
810B	Plug, Pipe 1/2 NPT	S23717
815	Ring, Retaining	S16767

Table II

HP	PH	Bracket No.	"AK" Fit	"U" Dim.	Motor Frame
30	3	L04628	12-1/2"	1-1/4"	284JM
40	3	L04628	12-1/2"	1-1/4"	286JM

NOTE: For an explanation of the tabulated material found on this page and for impeller key location, refer to **Supplement A** located at the beginning of this section.



BERKELEY® B2EPBL

Silicon Bronze Impeller

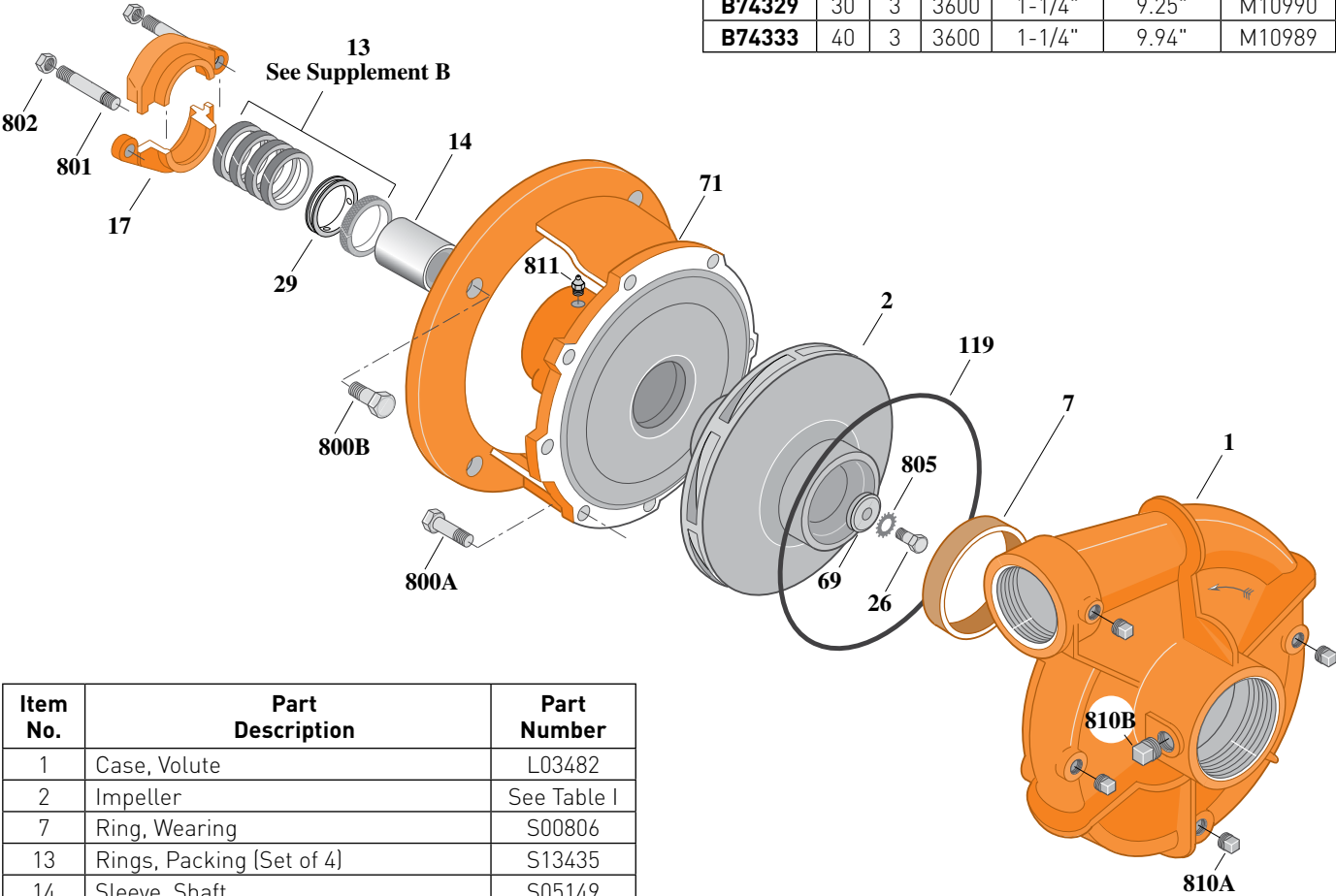
Threaded Case (NPT), Packing Construction

ELECTRIC MOTOR DRIVE

Section	CC
Page	100.3
Date	March 4, 2013
Supersedes 09/01/95	

Table I

B/M No.	HP	PH	RPM	"U" Dim.	Imp. Dia.	Imp. No.
B74329	30	3	3600	1-1/4"	9.25"	M10990
B74333	40	3	3600	1-1/4"	9.94"	M10989



1754 0495

Item No.	Part Description	Part Number
1	Case, Volute	L03482
2	Impeller	See Table I
7	Ring, Wearing	S00806
13	Rings, Packing (Set of 4)	S13435
14	Sleeve, Shaft	S05149
17	Gland, Packing	S12034
26	Screw, Impeller 1/2 - 13 x 1-1/4"	S23621
29	Ring, Lantern	S19200
32	Key, 1/4 x 2-1/4" (See Note)	S23677
69	Washer, Impeller	S06319
71	Bracket	See Table II
119	O-Ring	S13760
800A	Capscrew, 1/2 - 13 x 1-1/4" [8 Req.]	S26914
800B	Capscrew, 5/8 - 11 x 1-1/2" [4 Req.]	S26999
801	Stud, 3/8 - 16 x 2-1/2" [2 Req.]	S04438
802	Nut, Hex 3/8 - 16 [2 Req.]	S23343
805	Washer, Lock	S23038
810A	Plug, Pipe 1/4 NPT [4 Req.]	S23715
810B	Plug, Pipe 1/2 NPT	S23717
811	Fitting, Grease	S23700

Table II

HP	PH	Bracket No.	"AK" Fit	"U" Dim.	Motor Frame
30	3	L03712	12-1/2"	1-1/4"	284JP
40	3	L03712	12-1/2"	1-1/4"	286JP

NOTE: For an explanation of the tabulated material found on this page and for impeller key location, refer to **Supplement A** located at the beginning of this section.



BERKELEY® B2EPBLS Silicon Bronze Impeller

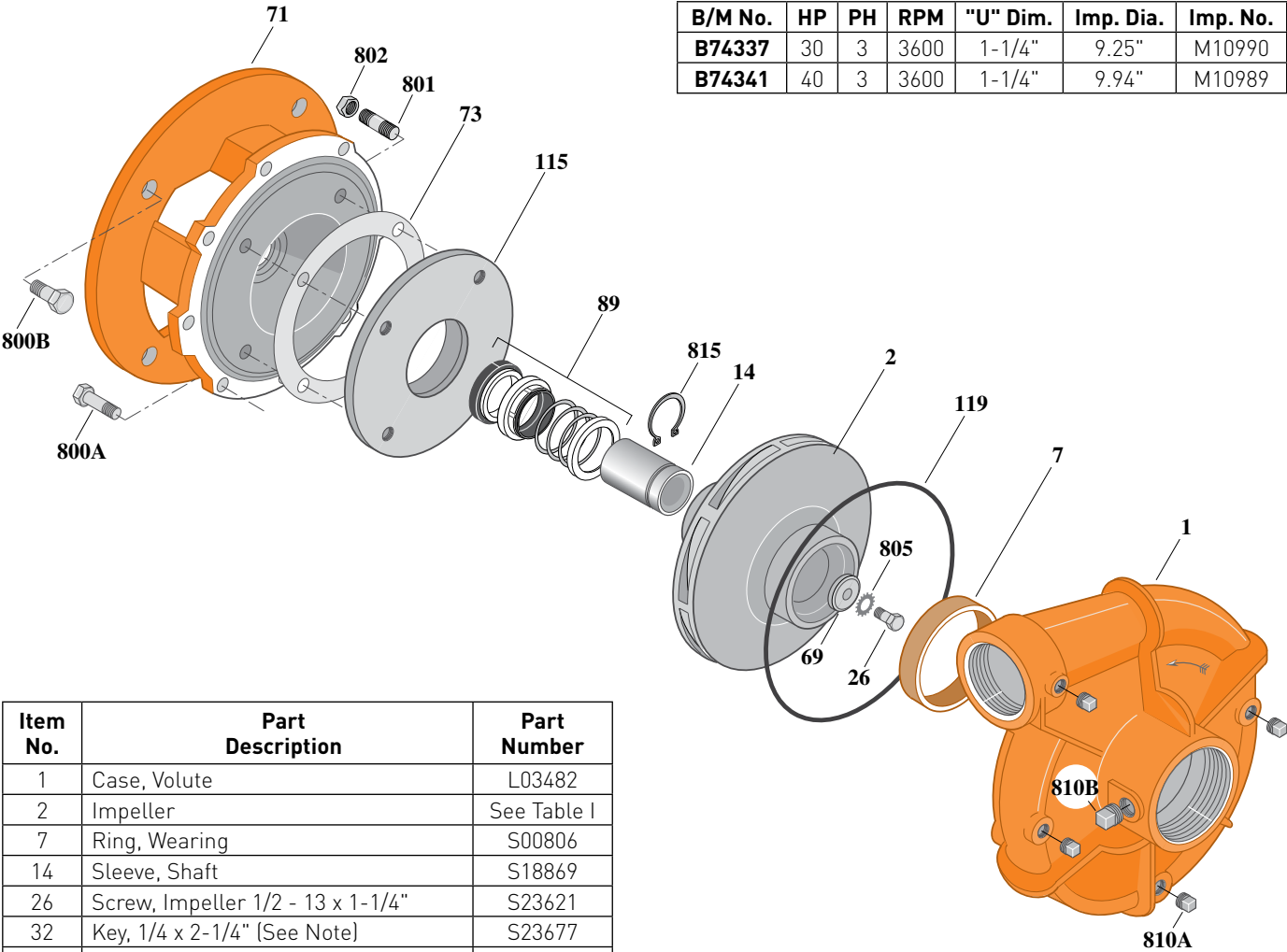
Threaded Case (NPT), Mechanical Shaft Seal Construction

ELECTRIC MOTOR DRIVE

Section	CC
Page	100.4
Date	March 4, 2013
Supersedes 09/01/95	

Table I

B/M No.	HP	PH	RPM	"U" Dim.	Imp. Dia.	Imp. No.
B74337	30	3	3600	1-1/4"	9.25"	M10990
B74341	40	3	3600	1-1/4"	9.94"	M10989



1624 0295

Item No.	Part Description	Part Number
1	Case, Volute	L03482
2	Impeller	See Table I
7	Ring, Wearing	S00806
14	Sleeve, Shaft	S18869
26	Screw, Impeller 1/2 - 13 x 1-1/4"	S23621
32	Key, 1/4 x 2-1/4" (See Note)	S23677
69	Washer, Impeller	S06319
71	Bracket	See Table II
73	Gasket, Balance Ring	S09943
89	Seal, Mechanical Shaft	S32015
115	Ring, Balance	S19262
119	O-Ring	S13760
800A	Capscrew, 1/2 - 13 x 1-1/4" [8 Req.]	S26914
800B	Capscrew, 5/8 - 11 x 1-1/2" [4 Req.]	S26999
801	Stud, 3/8 - 16 x 1-1/4" [4 Req.]	S23994
802	Nut, 3/8 - 16 [4 Req.]	S23103
805	Washer, Lock	S23038
810A	Plug, Pipe 1/4 NPT [4 Req.]	S23715
810B	Plug, Pipe 1/2 NPT	S23717
815	Ring, Retaining	S16767

Table II

HP	PH	Bracket No.	"AK" Fit	"U" Dim.	Motor Frame
30	3	L04628	12-1/2"	1-1/4"	284JM
40	3	L04628	12-1/2"	1-1/4"	286JM

NOTE: For an explanation of the tabulated material found on this page and for impeller key location, refer to **Supplement A** located at the beginning of this section.



BERKELEY® B2EPBL

Silicon Bronze Impeller

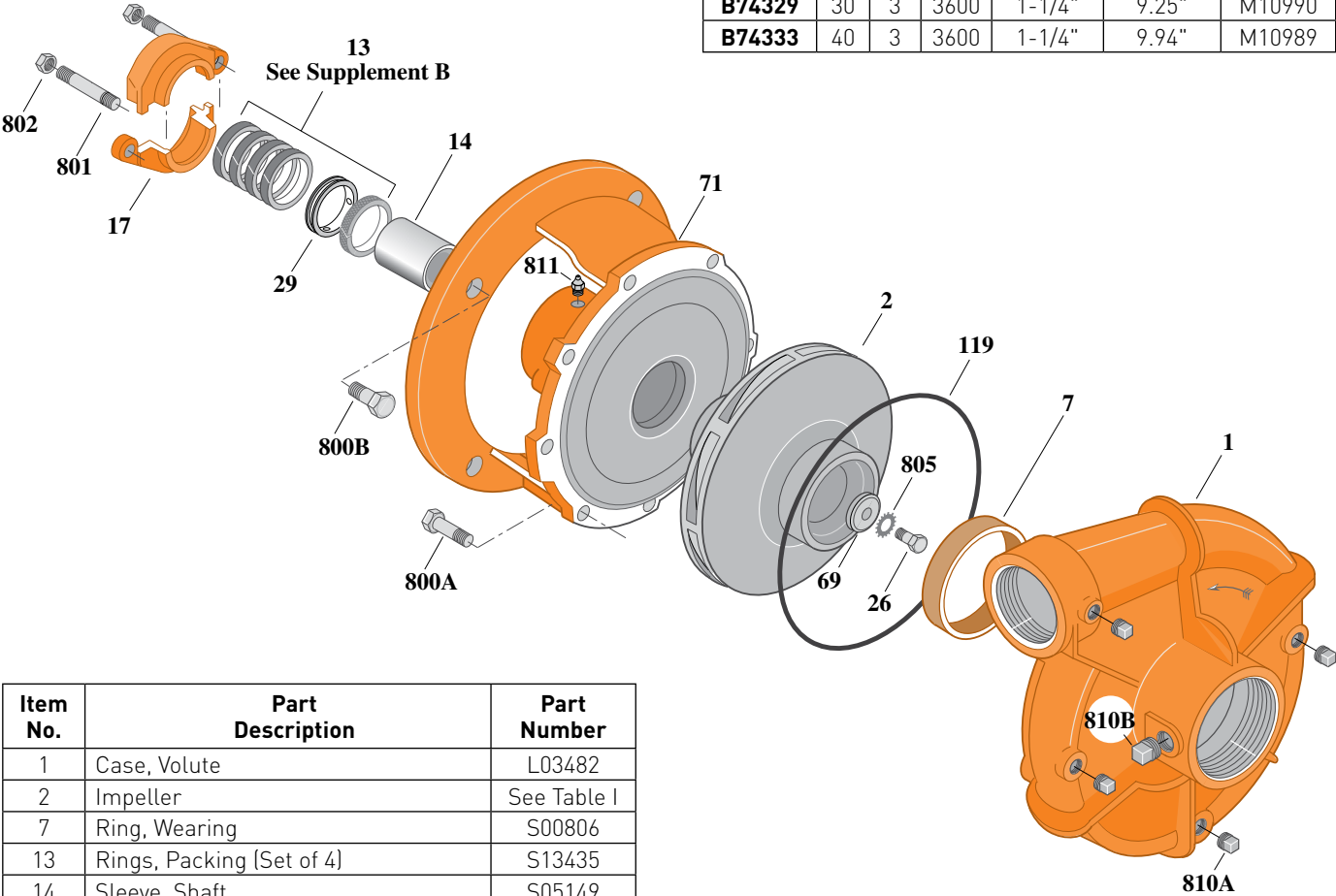
Threaded Case (NPT), Packing Construction

ELECTRIC MOTOR DRIVE

Section	CC
Page	100.5
Date	March 4, 2013
Supersedes 01/01/04	

Table I

B/M No.	HP	PH	RPM	"U" Dim.	Imp. Dia.	Imp. No.
B74329	30	3	3600	1-1/4"	9.25"	M10990
B74333	40	3	3600	1-1/4"	9.94"	M10989



1754 0495

Item No.	Part Description	Part Number
1	Case, Volute	L03482
2	Impeller	See Table I
7	Ring, Wearing	S00806
13	Rings, Packing (Set of 4)	S13435
14	Sleeve, Shaft	S05149
17	Gland, Packing	B82470
26	Screw, Impeller 1/2 - 13 x 1-1/4"	S23621
29	Ring, Lantern	S19200
32	Key, 1/4 x 2-1/4" (See Note)	S23677
69	Washer, Impeller	S06319
71	Bracket	See Table II
119	O-Ring	S13760
800A	Capscrew, 1/2 - 13 x 1-1/4" [8 Req.]	S26914
800B	Capscrew, 5/8 - 11 x 1-1/2" [4 Req.]	S26999
801	Stud, 3/8 - 16 x 2-1/2" [2 Req.]	S04438
802	Nut, Hex 3/8 - 16 [2 Req.]	S23343
805	Washer, Lock	S23038
810A	Plug, Pipe 1/4" NPT [4 Req.]	S23715
810B	Plug, Pipe 1/2" NPT	S23717
811	Fitting, Grease	S23700

Table II

HP	PH	Bracket No.	"AK" Fit	"U" Dim.	Motor Frame
30	3	L03712	12-1/2"	1-1/4"	284JP
40	3	L03712	12-1/2"	1-1/4"	286JP

NOTE: For an explanation of the tabulated material found on this page and for impeller key location, refer to **Supplement A** located at the beginning of this section.



BERKELEY® B2EPBLS Silicon Bronze Impeller

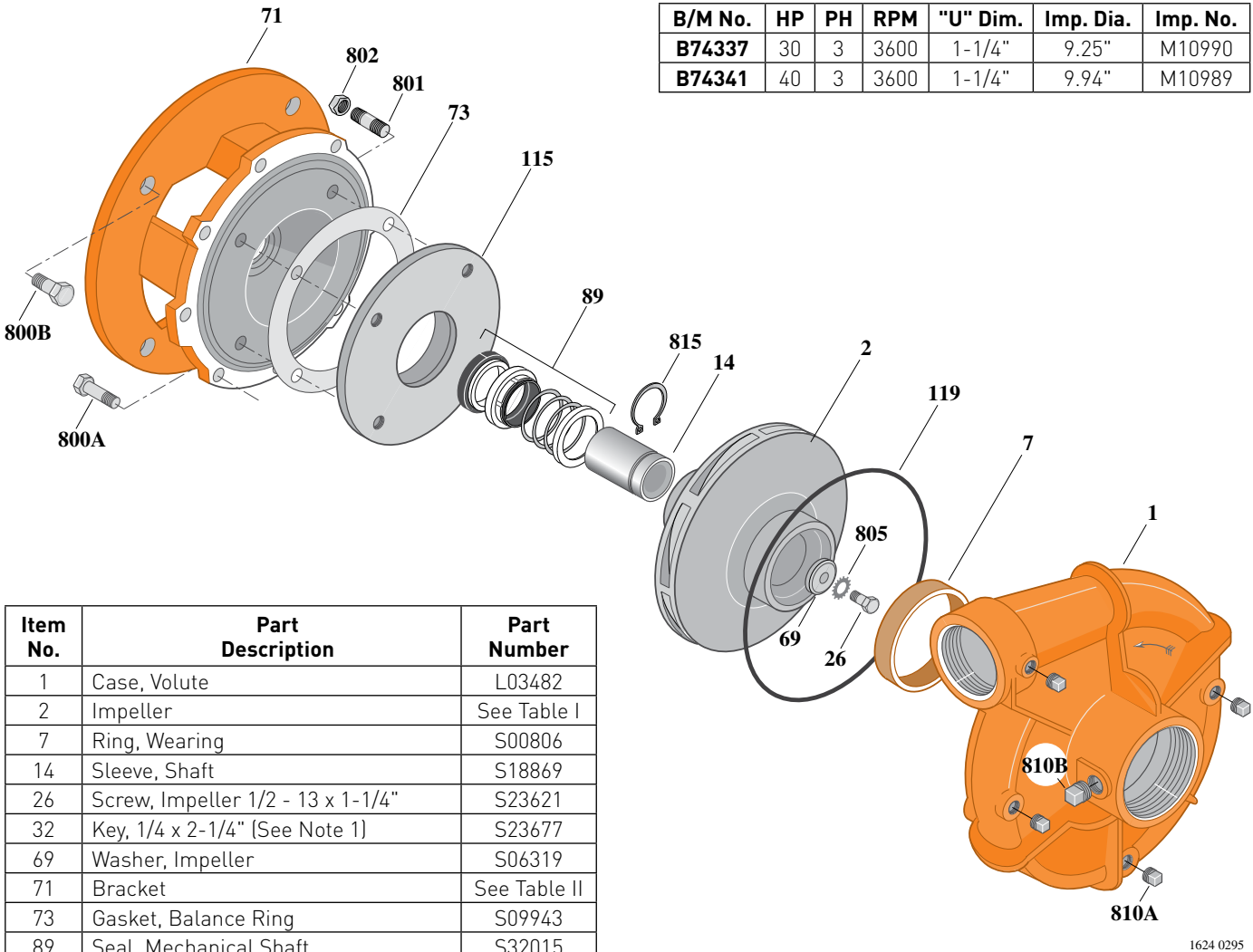
Threaded Case (NPT), Mechanical Shaft Seal Construction

ELECTRIC MOTOR DRIVE

Section	CC
Page	100.6
Date	March 4, 2013
Supersedes 01/01/04	

Table I

B/M No.	HP	PH	RPM	"U" Dim.	Imp. Dia.	Imp. No.
B74337	30	3	3600	1-1/4"	9.25"	M10990
B74341	40	3	3600	1-1/4"	9.94"	M10989



Item No.	Part Description	Part Number
1	Case, Volute	L03482
2	Impeller	See Table I
7	Ring, Wearing	S00806
14	Sleeve, Shaft	S18869
26	Screw, Impeller 1/2 - 13 x 1-1/4"	S23621
32	Key, 1/4 x 2-1/4" (See Note 1)	S23677
69	Washer, Impeller	S06319
71	Bracket	See Table II
73	Gasket, Balance Ring	S09943
89	Seal, Mechanical Shaft	S32015
115	Ring, Balance	S19262
119	O-Ring	S13760
800A	Capscrew, 1/2 - 13 x 1-1/4" (8 Req.)	S26914
800B	Capscrew, 5/8 - 11 x 1-1/2" (4 Req.)	S26999
801	Stud, 3/8 - 16 x 1-1/4" (4 Req.)	S23994
802	Nut, 3/8 - 16 (4 Req.)	S23103
805	Washer, Lock	S23038
810A	Plug, Pipe 1/4" NPT (4 Req.)	S23715
810B	Plug, Pipe 1/2" NPT	S23717
815	Ring, Retaining	S16767
•	Plug, Pipe 1/8" NPT (In Bracket)	S23714

• Not illustrated.

Table II

HP	PH	Bracket No.	"AK" Fit	"U" Dim.	Motor Frame
30	3	L04628	12-1/2"	1-1/4"	284JM
40	3	L04628	12-1/2"	1-1/4"	286JM

NOTE 1: For an explanation of the tabulated material found on this page and for impeller key location, refer to **Supplement A** located at the beginning of this section.

NOTE 2: For seal flush line details, see **Supplement D**.



BERKELEY® B2EPBL

Silicon Bronze Impeller

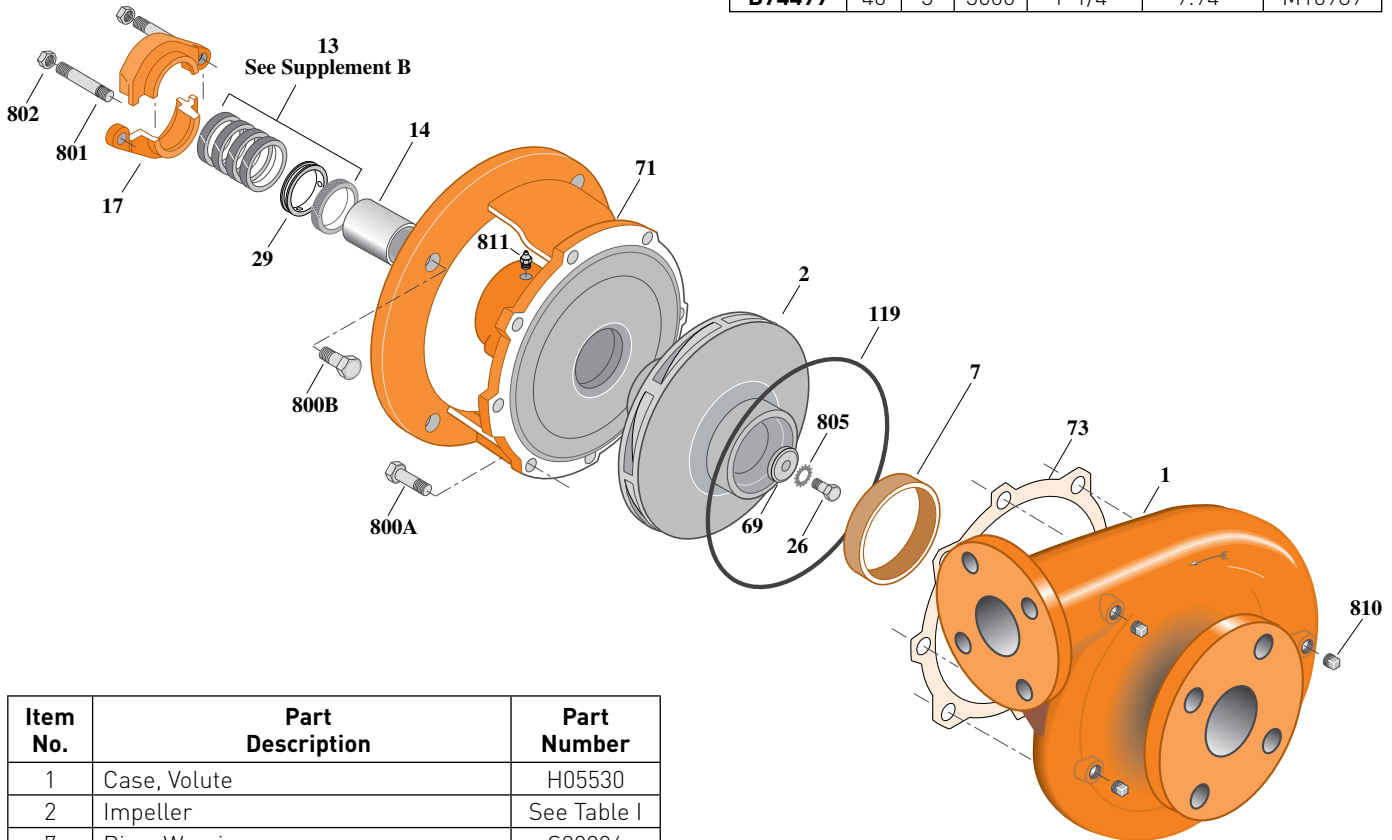
Flanged Case (NPT), Packing Construction

ELECTRIC MOTOR DRIVE

Section	CC
Page	100.7
Date	March 4, 2013
Supersedes 01/01/04	

Table I

B/M No.	HP	PH	RPM	"U" Dim.	Imp. Dia.	Imp. No.
B74496	30	3	3600	1-1/4"	9.25"	M10990
B74499	40	3	3600	1-1/4"	9.94"	M10989



1754B 0497

Item No.	Part Description	Part Number
1	Case, Volute	H05530
2	Impeller	See Table I
7	Ring, Wearing	S00806
13	Rings, Packing (Set of 4)	S13435
14	Sleeve, Shaft	S05149
17	Gland, Packing	B82470
26	Screw, Impeller 1/2 - 13 x 1-1/4"	S23621
29	Ring, Lantern	S19200
32	Key, 1/4 x 2-1/4" (See Note)	S23677
69	Washer, Impeller	S06319
71	Bracket	See Table II
119	O-Ring	S13760
800A	Capscrew, 1/2 - 13 x 1-1/4" [8 Req.]	S26914
800B	Capscrew, 5/8 - 11 x 1-1/2" [4 Req.]	S26999
801	Stud, 3/8 - 16 x 2-1/2" [2 Req.]	S04438
802	Nut, Hex 3/8 - 16 [2 Req.]	S23343
805	Washer, Lock	S23038
810	Plug, Pipe 1/4" NPT [4 Req.]	S23715
811	Fitting, Grease	S23700

Table II

HP	PH	Bracket No.	"AK" Fit	"U" Dim.	Motor Frame
30	3	L03712	12-1/2"	1-1/4"	284JP
40	3	L03712	12-1/2"	1-1/4"	286JP

NOTE: For an explanation of the tabulated material found on this page and for impeller key location, refer to **Supplement A** located at the beginning of this section.



BERKELEY® B2EPBLS Silicon Bronze Impeller

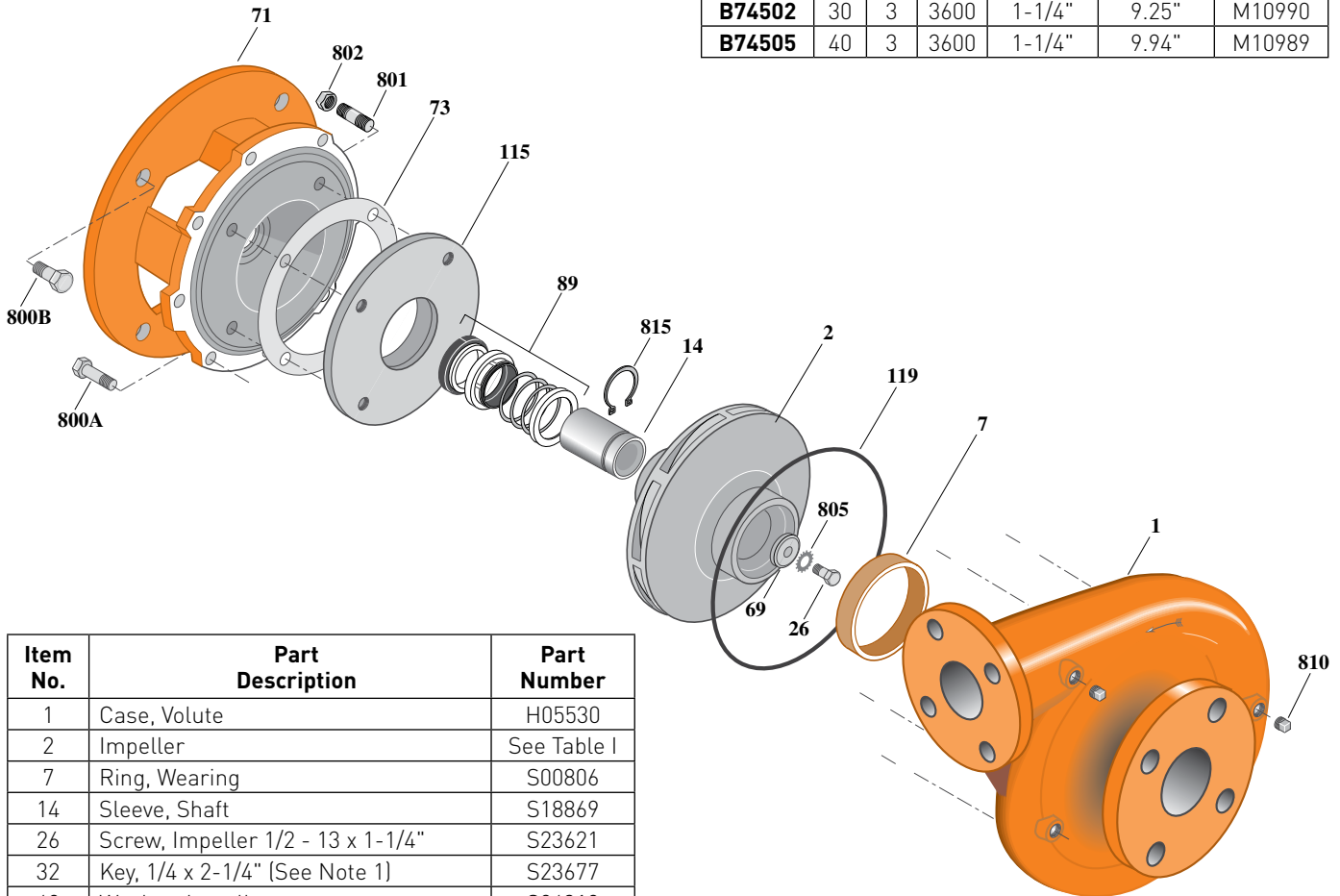
Flanged Case, Mechanical Shaft Seal Construction

ELECTRIC MOTOR DRIVE

Section	CC
Page	100.8
Date	March 4, 2013
Supersedes 01/01/04	

Table I

B/M No.	HP	PH	RPM	"U" Dim.	Imp. Dia.	Imp. No.
B74502	30	3	3600	1-1/4"	9.25"	M10990
B74505	40	3	3600	1-1/4"	9.94"	M10989



1624B 0497

Item No.	Part Description	Part Number
1	Case, Volute	H05530
2	Impeller	See Table I
7	Ring, Wearing	S00806
14	Sleeve, Shaft	S18869
26	Screw, Impeller 1/2 - 13 x 1-1/4"	S23621
32	Key, 1/4 x 2-1/4" [See Note 1]	S23677
69	Washer, Impeller	S06319
71	Bracket	See Table II
73	Gasket, Balance Ring	S09943
89	Seal, Mechanical Shaft	S32015
115	Ring, Balance	S19262
119	O-Ring	S13760
800A	Capscrew, 1/2 - 13 x 1-1/4" [8 Req.]	S26914
800B	Capscrew, 5/8 - 11 x 1-1/2" [4 Req.]	S26999
801	Stud, 3/8 - 16 x 1-1/4" [4 Req.]	S23994
802	Nut, 3/8 - 16 [4 Req.]	S23103
805	Washer, Lock	S23038
810	Plug, Pipe 1/4" NPT [4 Req.]	S23715
815	Ring, Retaining	S16767
•	Plug, Pipe 1/8" NPT (In Bracket)	S23714

• Not illustrated.

Table II

HP	PH	Bracket No.	"AK" Fit	"U" Dim.	Motor Frame
30	3	L04628	12-1/2"	1-1/4"	284JM
40	3	L04628	12-1/2"	1-1/4"	286JM

NOTE 1: For an explanation of the tabulated material found on this page and for impeller key location, refer to **Supplement A** located at the beginning of this section.

NOTE 2: For seal flush line details, see **Supplement D**.



BERKELEY® B2EPBLS

Cast Iron Impeller

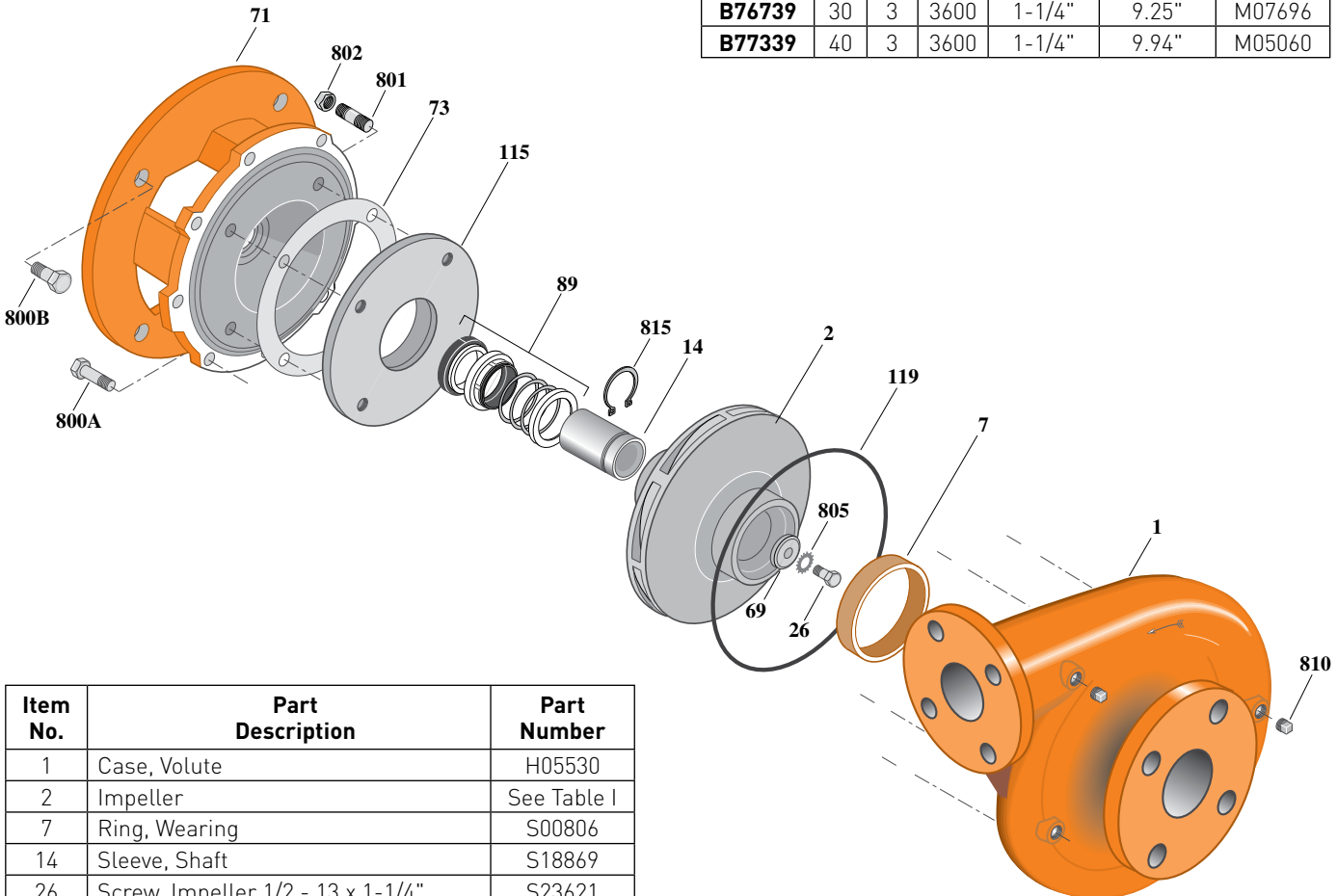
Flanged Case, Mechanical Shaft Seal Construction

ELECTRIC MOTOR DRIVE

Section	CC
Page	100.9
Date	March 4, 2013
Supersedes 01/01/04	

Table I

B/M No.	HP	PH	RPM	"U" Dim.	Imp. Dia.	Imp. No.
B76739	30	3	3600	1-1/4"	9.25"	M07696
B77339	40	3	3600	1-1/4"	9.94"	M05060



Item No.	Part Description	Part Number
1	Case, Volute	H05530
2	Impeller	See Table I
7	Ring, Wearing	S00806
14	Sleeve, Shaft	S18869
26	Screw, Impeller 1/2 - 13 x 1-1/4"	S23621
32	Key, 1/4 x 2-1/4" (See Note)	S23677
69	Washer, Impeller	S06319
71	Bracket	See Table II
73	Gasket, Balance Ring	S09943
89	Seal, Mechanical Shaft	S32015
115	Ring, Balance	S19262
119	O-Ring	S13760
800A	Capscrew, 1/2 - 13 x 1-1/4" [8 Req.]	S26914
800B	Capscrew, 5/8 - 11 x 1-1/2" [4 Req.]	S26999
801	Stud, 3/8 - 16 x 1-1/4" [4 Req.]	S23994
802	Nut, 3/8 - 16 [4 Req.]	S23103
805	Washer, Lock	S23038
810A	Plug, Pipe 1/4 NPT [4 Req.]	S23715
810B	Plug, Pipe 1/2 NPT	S23717
815	Ring, Retaining	S16767

Table II

HP	PH	Bracket No.	"AK" Fit	"U" Dim.	Motor Frame
30	3	L04628	12-1/2"	1-1/4"	284JM
40	3	L04628	12-1/2"	1-1/4"	286JM

NOTE: For an explanation of the tabulated material found on this page and for impeller key location, refer to **Supplement A** located at the beginning of this section.



BERKELEY® B2EPBHH

Cast Iron Impeller

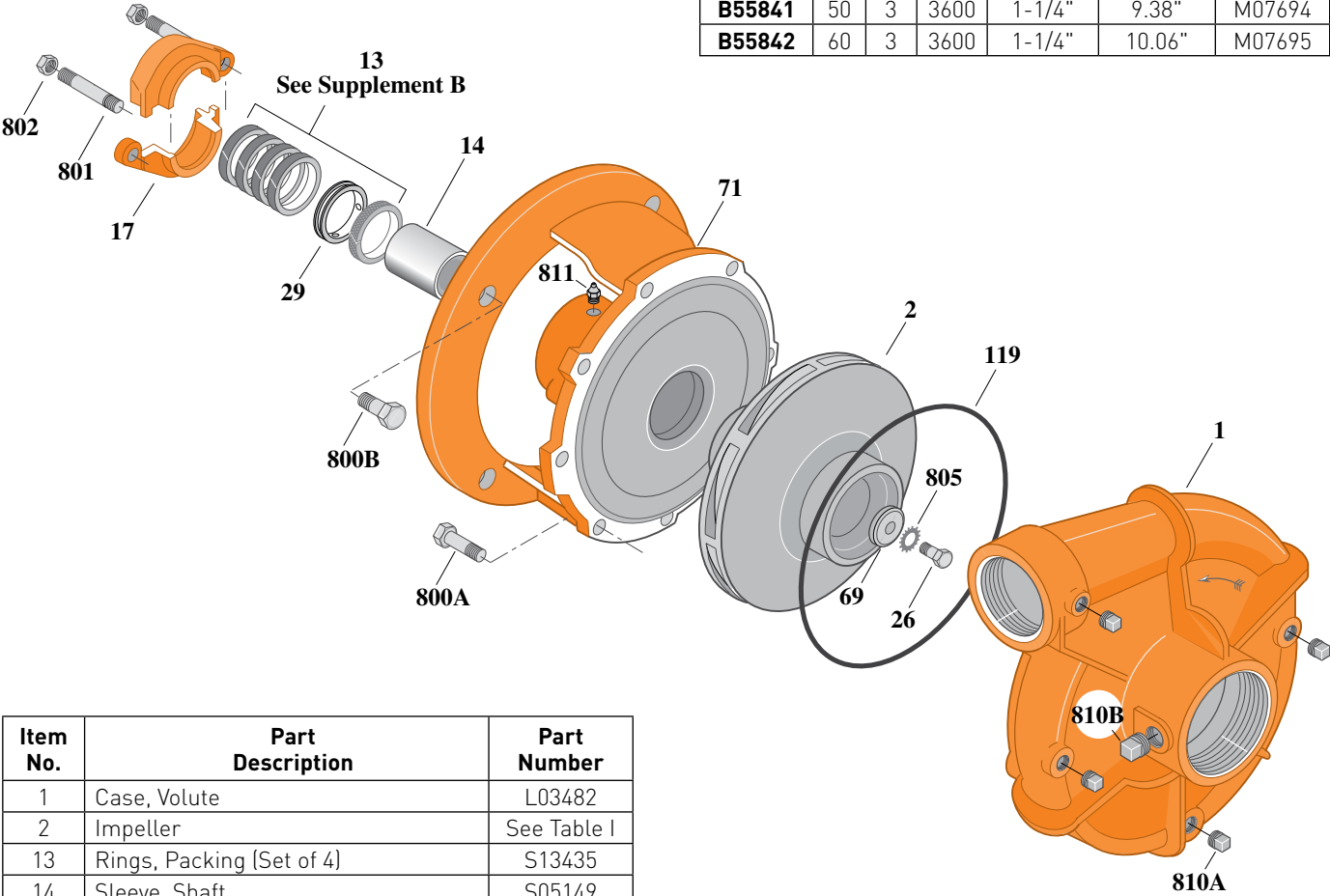
Threaded Case (NPT), Packing Construction

ELECTRIC MOTOR DRIVE

Section	CC
Page	110.1
Date	March 4, 2013
Supersedes 01/01/04	

Table I

B/M No.	HP	PH	RPM	"U" Dim.	Imp. Dia.	Imp. No.
B55841	50	3	3600	1-1/4"	9.38"	M07694
B55842	60	3	3600	1-1/4"	10.06"	M07695



1755 0495

Item No.	Part Description	Part Number
1	Case, Volute	L03482
2	Impeller	See Table I
13	Rings, Packing (Set of 4)	S13435
14	Sleeve, Shaft	S05149
17	Gland, Packing	B82470
26	Screw, Impeller 1/2 - 13 x 1-1/4"	S23621
29	Ring, Lantern	S19200
32	Key, 1/4 x 2-1/4" (See Note)	S23677
69	Washer, Impeller	S06319
71	Bracket	See Table II
119	O-Ring	S13760
800A	Capscrew, 1/2 - 13 x 1-1/4" [8 Req.]	S26914
800B	Capscrew, 5/8 - 11 x 1-1/2" [4 Req.]	S26999
801	Stud, 3/8 - 16 x 2-1/2" [2 Req.]	S04483
802	Nut, Hex 3/8 - 16 [2 Req.]	S23343
805	Washer, Lock	S23038
810A	Plug, Pipe 1/4 NPT [4 Req.]	S23715
810B	Plug, Pipe 1/2 NPT	S23717
811	Fitting, Grease	S23700

Table II

HP	PH	Bracket No.	"AK" Fit	"U" Dim.	Motor Frame
50	3	L03712	12-1/2"	1-1/4"	324JP
60	3	L03712	12-1/2"	1-1/4"	326JP

NOTE: For an explanation of the tabulated material found on this page and for impeller key location, refer to **Supplement A** located at the beginning of this section.



BERKELEY® B2EPBHHS

ELECTRIC MOTOR DRIVE

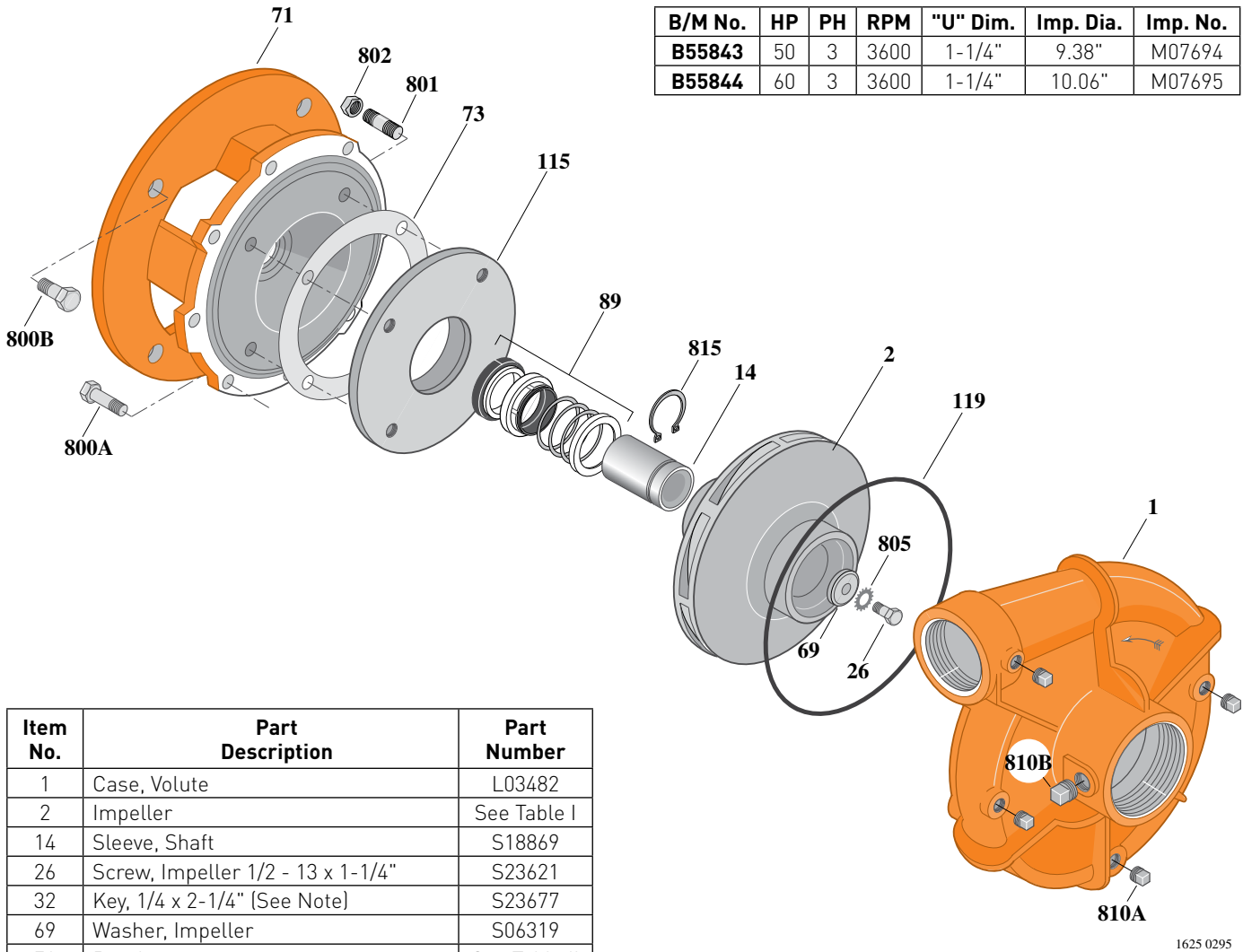
Cast Iron Impeller

Threaded Case (NPT), Mechanical Shaft Seal Construction

Section	CC
Page	110.2
Date	March 4, 2013
Supersedes 01/01/04	

Table I

B/M No.	HP	PH	RPM	"U" Dim.	Imp. Dia.	Imp. No.
B55843	50	3	3600	1-1/4"	9.38"	M07694
B55844	60	3	3600	1-1/4"	10.06"	M07695



Item No.	Part Description	Part Number
1	Case, Volute	L03482
2	Impeller	See Table I
14	Sleeve, Shaft	S18869
26	Screw, Impeller 1/2 - 13 x 1-1/4"	S23621
32	Key, 1/4 x 2-1/4" (See Note)	S23677
69	Washer, Impeller	S06319
71	Bracket	See Table II
73	Gasket, Balance Ring	S09943
89	Seal, Shaft	M10227
115	Ring, Balance	S19262
119	O-Ring	S13760
800A	Capscrew, 1/2 - 13 x 1-1/4" [8 Req.]	S26914
800B	Capscrew, 5/8 - 11 x 1-1/2" [4 Req.]	S26999
801	Stud, 3/8 - 16 x 1-1/4" [4 Req.]	S23994
802	Nut, 3/8 - 16 [4 Req.]	S23103
805	Washer, Lock	S23038
810A	Plug, Pipe 1/4 NPT [4 Req.]	S23715
810B	Plug, Pipe 1/2 NPT	S23717
815	Ring, Retaining	S16767

Table II

HP	PH	Bracket No.	"AK" Fit	"U" Dim.	Motor Frame
50	3	L04628	12-1/2"	1-1/4"	324JM
60	3	L04628	12-1/2"	1-1/4"	326JM

NOTE: For an explanation of the tabulated material found on this page and for impeller key location, refer to **Supplement A** located at the beginning of this section.



BERKELEY® B2EPBHHS

Bronze Impeller

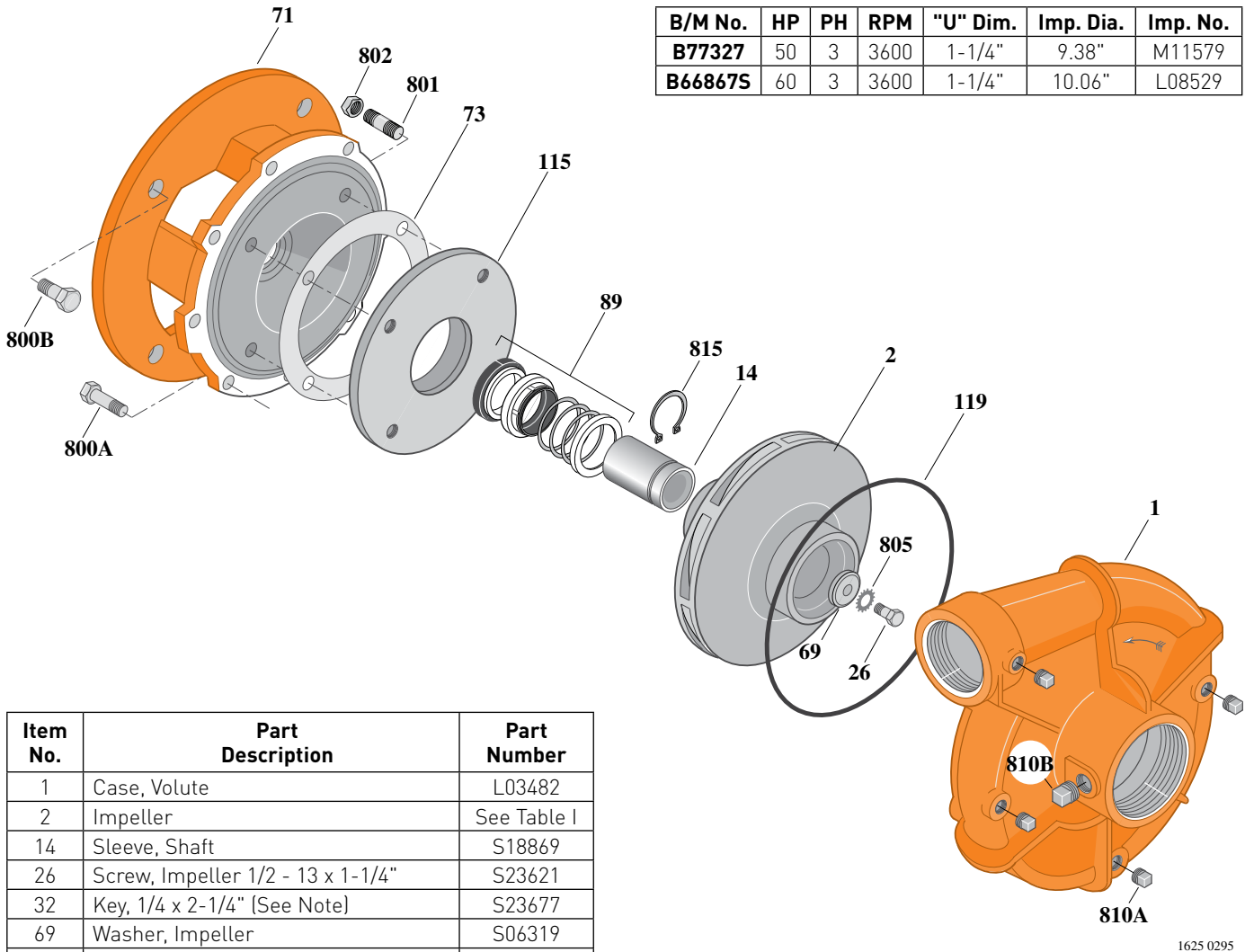
Threaded Case (NPT), Mechanical Shaft Seal Construction

ELECTRIC MOTOR DRIVE

Section	CC
Page	110.3
Date	March 4, 2013
Supersedes 01/01/04	

Table I

B/M No.	HP	PH	RPM	"U" Dim.	Imp. Dia.	Imp. No.
B77327	50	3	3600	1-1/4"	9.38"	M11579
B66867S	60	3	3600	1-1/4"	10.06"	L08529



Item No.	Part Description	Part Number
1	Case, Volute	L03482
2	Impeller	See Table I
14	Sleeve, Shaft	S18869
26	Screw, Impeller 1/2 - 13 x 1-1/4"	S23621
32	Key, 1/4 x 2-1/4" (See Note)	S23677
69	Washer, Impeller	S06319
71	Bracket	See Table II
73	Gasket, Balance Ring	S09943
89	Seal, Shaft	M10227
115	Ring, Balance	S19262
119	O-Ring	S13760
800A	Capscrew, 1/2 - 13 x 1-1/4" [8 Req.]	S26914
800B	Capscrew, 5/8 - 11 x 1-1/2" [4 Req.]	S26999
801	Stud, 3/8 - 16 x 1-1/4" [4 Req.]	S23994
802	Nut, 3/8 - 16 [4 Req.]	S23103
805	Washer, Lock	S23038
810A	Plug, Pipe 1/4 NPT [4 Req.]	S23715
810B	Plug, Pipe 1/2 NPT	S23717
815	Ring, Retaining	S16767

Table II

HP	PH	Bracket No.	"AK" Fit	"U" Dim.	Motor Frame
50	3	L04628	12-1/2"	1-1/4"	324JM
60	3	L04628	12-1/2"	1-1/4"	326JM

NOTE: For an explanation of the tabulated material found on this page and for impeller key location, refer to **Supplement A** located at the beginning of this section.



BERKELEY® B2EPBHHS

Bronze Impeller

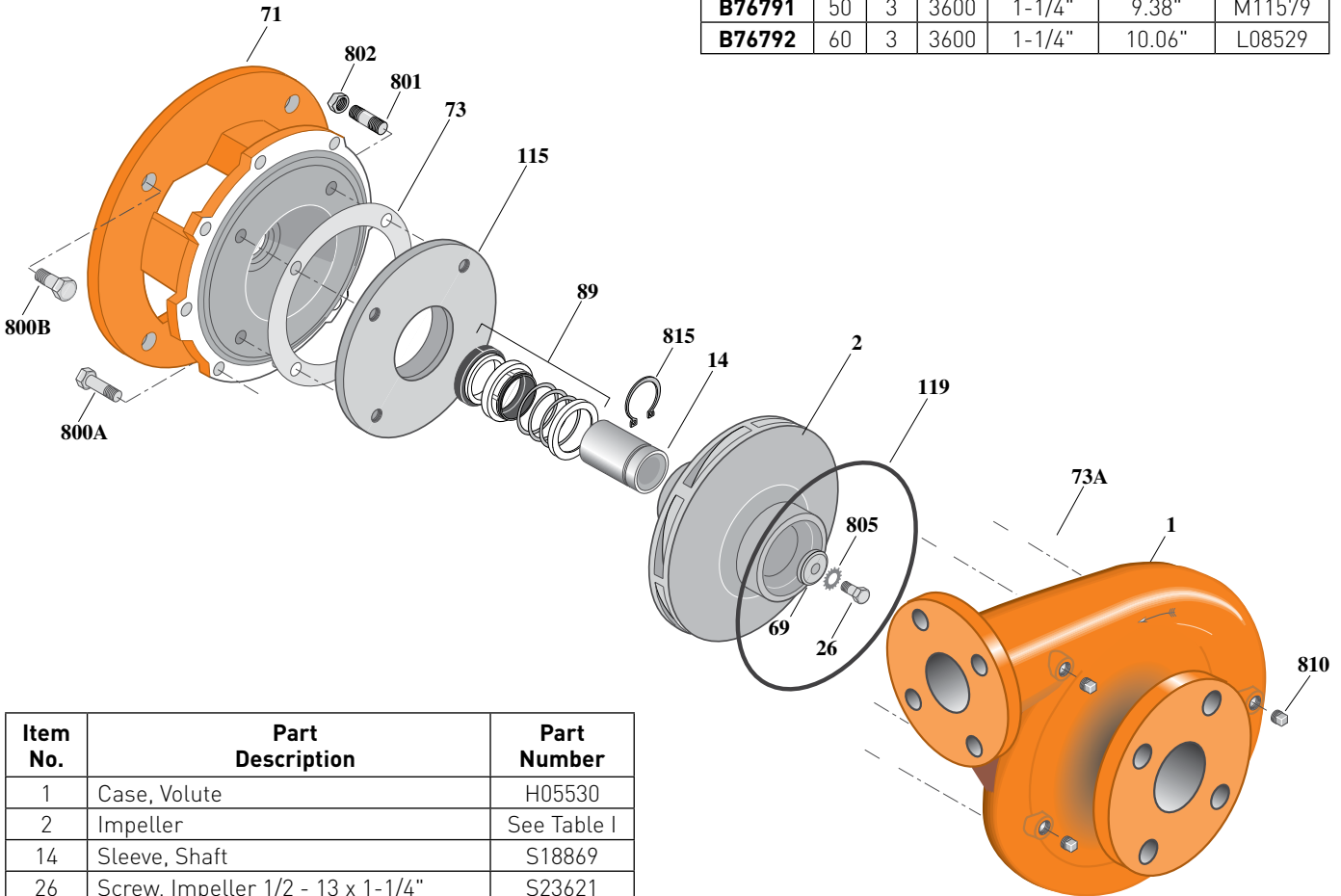
Flanged Case, Mechanical Shaft Seal Construction

ELECTRIC MOTOR DRIVE

Section	CC
Page	110.4
Date	March 4, 2013
Supersedes 01/01/04	

Table I

B/M No.	HP	PH	RPM	"U" Dim.	Imp. Dia.	Imp. No.
B76791	50	3	3600	1-1/4"	9.38"	M11579
B76792	60	3	3600	1-1/4"	10.06"	L08529



1625 0295 FL

Item No.	Part Description	Part Number
1	Case, Volute	H05530
2	Impeller	See Table I
14	Sleeve, Shaft	S18869
26	Screw, Impeller 1/2 - 13 x 1-1/4"	S23621
32	Key, 1/4 x 2-1/4" (See Note)	S23677
69	Washer, Impeller	S06319
71	Bracket	See Table II
73	Gasket, Balance Ring	S09943
89	Seal, Shaft	M10227
115	Ring, Balance	S19262
119	O-Ring	S13760
800A	Capscrew, 1/2 - 13 x 1-1/4" [8 Req.]	S26914
800B	Capscrew, 5/8 - 11 x 1-1/2" [4 Req.]	S26999
801	Stud, 3/8 - 16 x 1-1/4" [4 Req.]	S23994
802	Nut, 3/8 - 16 [4 Req.]	S23103
805	Washer, Lock	S23038
810A	Plug, Pipe 1/4 NPT [4 Req.]	S23715
810B	Plug, Pipe 1/2 NPT	S23717
815	Ring, Retaining	S16767

Table II

HP	PH	Bracket No.	"AK" Fit	"U" Dim.	Motor Frame
50	3	L04628	12-1/2"	1-1/4"	324JM
60	3	L04628	12-1/2"	1-1/4"	326JM

NOTE: For an explanation of the tabulated material found on this page and for impeller key location, refer to **Supplement A** located at the beginning of this section.



BERKELEY® B2-1/2TPM

Cast Iron Impeller

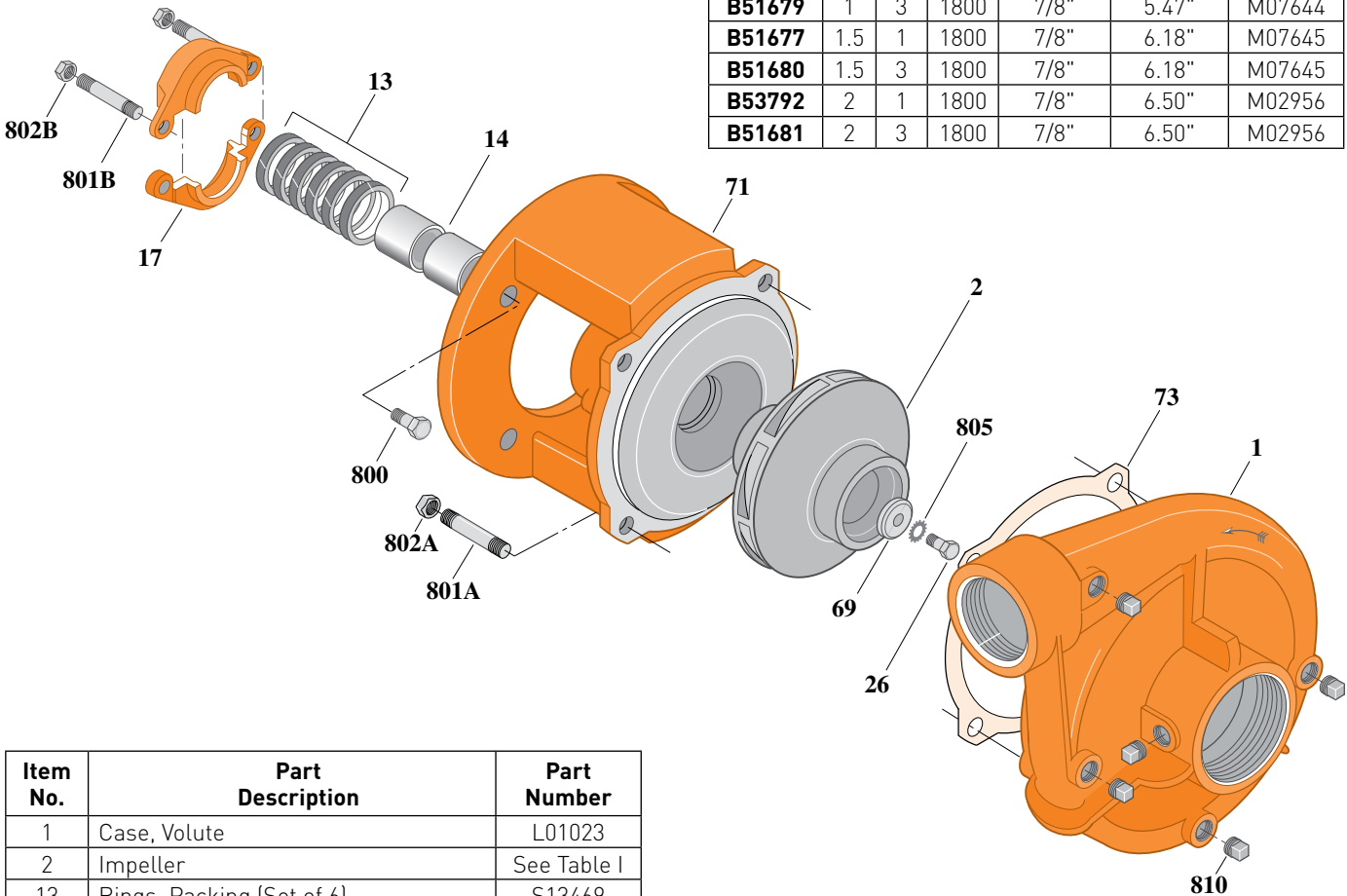
Threaded Case (NPT), Packing Construction

ELECTRIC MOTOR DRIVE

Section	CC
Page	120.1
Date	March 4, 2013
Supersedes 01/01/04	

Table I

B/M No.	HP	PH	RPM	"U" Dim.	Imp. Dia.	Imp. No.
B51676	1	1	1800	7/8"	5.47"	M07644
B51679	1	3	1800	7/8"	5.47"	M07644
B51677	1.5	1	1800	7/8"	6.18"	M07645
B51680	1.5	3	1800	7/8"	6.18"	M07645
B53792	2	1	1800	7/8"	6.50"	M02956
B51681	2	3	1800	7/8"	6.50"	M02956



Item No.	Part Description	Part Number
1	Case, Volute	L01023
2	Impeller	See Table I
13	Rings, Packing (Set of 6)	S13469
14	Sleeve, Shaft (2 Req.)	S00619
17	Gland, Packing	B82469
26	Screw, Impeller 3/8 - 16 x 1"	S23566
32	Key, 3/16 x 1-1/4" (See Note)	S34383
69	Washer, Impeller	S06314
71	Bracket	See Table II
73	Gasket, Volute	S04757
800	Capscrew, 3/8 - 16 x 7/8" (4 Req.)	S26825
801A	Stud, 1/2 - 13 x 1-1/2" (4 Req.)	S24043
801B	Stud, 3/8 - 16 x 4" (2 Req.)	S08303
802A	Nut, Hex 1/2 - 13 (4 Req.)	S23107
802B	Nut, Hex 3/8 - 16 (2 Req.)	S23343
805	Washer, Lock	S23036
810	Plug, Pipe 1/4 NPT (5 Req.)	S23715

Table II

HP	PH	Bracket No.	"AK" Fit	"U" Dim.	Motor Frame
1	1	L01525	4-1/2"	7/8"	143JP
1	3	L01525	4-1/2"	7/8"	143JP
1.5	1	L01525	4-1/2"	7/8"	145JP
1.5	3	L01525	4-1/2"	7/8"	145JP
2	1	L01525	4-1/2"	7/8"	182JP
2	3	L01525	4-1/2"	7/8"	145JP

NOTE: For an explanation of the tabulated material found on this page and for impeller key location, refer to **Supplement A** located at the beginning of this section.



BERKELEY® B2-1/2TPM

Cast Iron Impeller

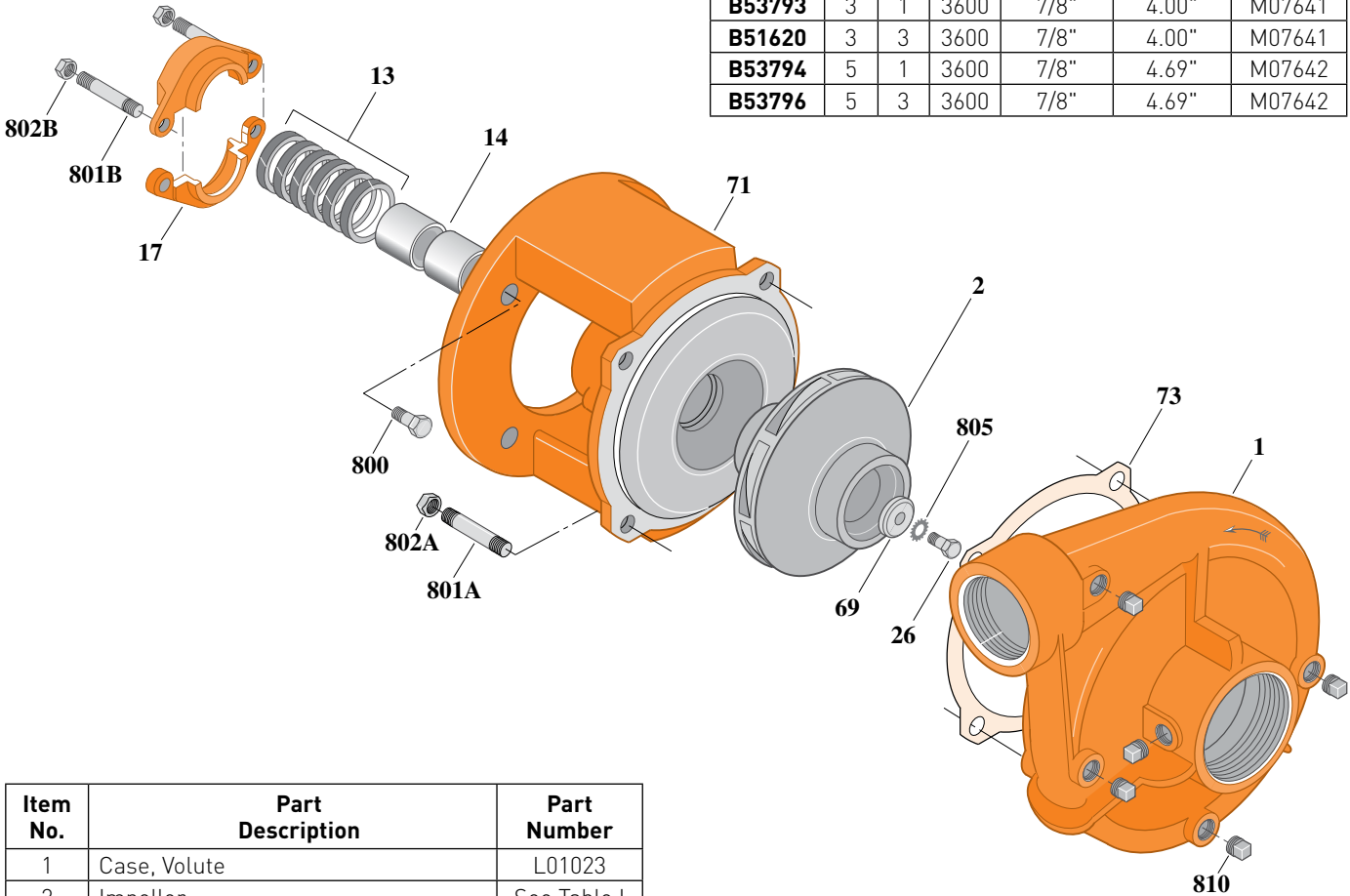
Threaded Case (NPT), Packing Construction

ELECTRIC MOTOR DRIVE

Section	CC
Page	120.2
Date	March 4, 2013
Supersedes 01/01/04	

Table I

B/M No.	HP	PH	RPM	"U" Dim.	Imp. Dia.	Imp. No.
B53793	3	1	3600	7/8"	4.00"	M07641
B51620	3	3	3600	7/8"	4.00"	M07641
B53794	5	1	3600	7/8"	4.69"	M07642
B53796	5	3	3600	7/8"	4.69"	M07642



1720A 0495

Item No.	Part Description	Part Number
1	Case, Volute	L01023
2	Impeller	See Table I
13	Rings, Packing (Set of 6)	S13469
14	Sleeve, Shaft (2 Req.)	S00619
17	Gland, Packing	B82469
26	Screw, Impeller 3/8 - 16 x 1"	S23566
32	Key, 3/16 x 1-1/4" (See Note)	S34383
69	Washer, Impeller	S06314
71	Bracket	See Table II
73	Gasket, Volute	S04757
800	Capscrew, 3/8 - 16 x 7/8" (4 Req.)	S26825
801A	Stud, 1/2 - 13 x 1-1/2" (4 Req.)	S24043
801B	Stud, 3/8 - 16 x 4" (2 Req.)	S08303
802A	Nut, Hex 1/2 - 13 (4 Req.)	S23107
802B	Nut, Hex 3/8 - 16 (2 Req.)	S23343
805	Washer, Lock	S23036
810	Plug, Pipe 1/4 NPT (5 Req.)	S23715

Table II

HP	PH	Bracket No.	"AK" Fit	"U" Dim.	Motor Frame
3	1	L01525	4-1/2"	7/8"	182JP
3	3	L01525	4-1/2"	7/8"	145JP
5	1	L01525	4-1/2"	7/8"	184JP
5	3	L01525	4-1/2"	7/8"	182JP

NOTE: For an explanation of the tabulated material found on this page and for impeller key location, refer to **Supplement A** located at the beginning of this section.



BERKELEY® B2-1/2TPM

Cast Iron Impeller

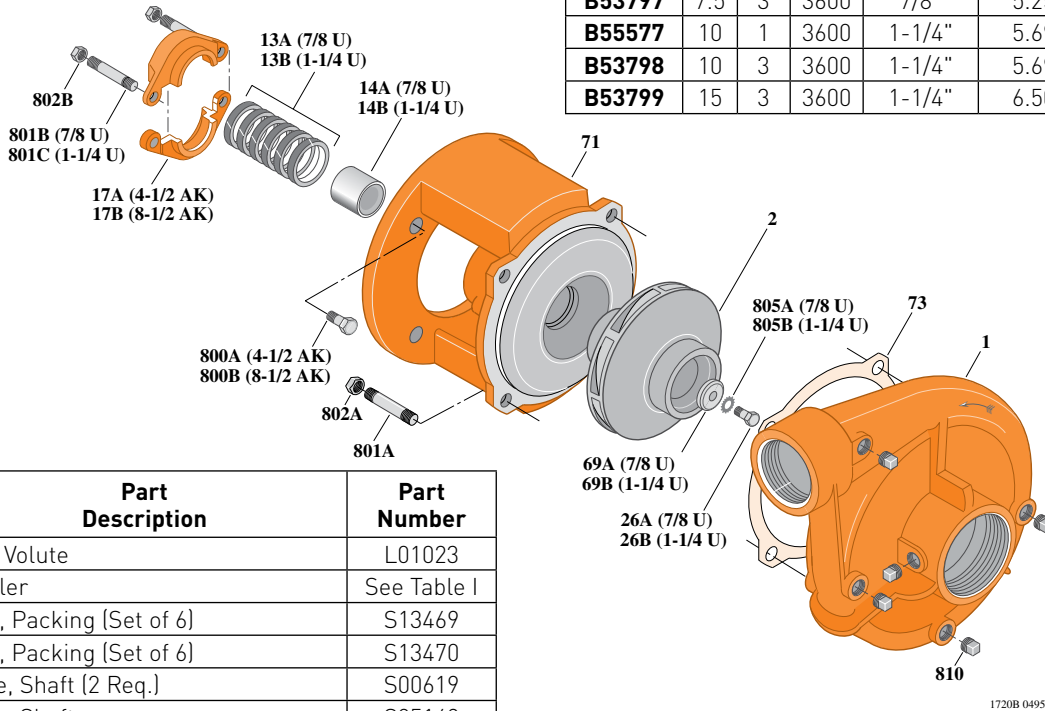
Threaded Case (NPT), Packing Construction

ELECTRIC MOTOR DRIVE

Section	CC
Page	120.3
Date	March 4, 2013
Supersedes 01/01/04	

Table I

B/M No.	HP	PH	RPM	"U" Dim.	Imp. Dia.	Imp. No.
B53795	7.5	1	3600	1-1/4"	5.25"	M07639
B53797	7.5	3	3600	7/8"	5.25"	M07643
B55577	10	1	3600	1-1/4"	5.69"	M07640
B53798	10	3	3600	1-1/4"	5.69"	M07640
B53799	15	3	3600	1-1/4"	6.50"	M02957



Item No.	Part Description	Part Number
1	Case, Volute	L01023
2	Impeller	See Table I
13A	Rings, Packing [Set of 6]	S13469
13B	Rings, Packing [Set of 6]	S13470
14A	Sleeve, Shaft [2 Req.]	S00619
14B	Sleeve, Shaft	S05149
17A	Gland, Packing	B82469
17B	Gland, Packing	B82470
26A	Screw, Impeller 3/8 - 16 x 1"	S23566
26B	Screw, Impeller 1/2 - 13 x 1"	S23619
32A	Key, 3/16 x 1-1/4" [See Note]	S34383
32B	Key, 1/4 x 2-1/4" [See Note]	S23677
69A	Washer, Impeller	S06314
69B	Washer, Impeller	S06319
71	Bracket	See Table II
73	Gasket, Volute	S04757
800A	Capscrew, 3/8 - 16 x 7/8" [4 Req.]	S26825
800B	Capscrew, 1/2 - 13 x 1" [4 Req.]	S26912
801A	Stud, 1/2 - 13 x 1-1/2" [4 Req.]	S24043
801B	Stud, 3/8 - 16 x 4" [2 Req.]	S08303
801C	Stud, 3/8 - 16 x 3-1/2" [2 Req.]	S04441
802A	Nut, Hex 1/2 - 13 [4 Req.]	S23107
802B	Nut, Hex 3/8 - 16 [2 Req.]	S23343
805A	Washer, Lock	S23036
805B	Washer, Lock	S23038
810	Plug, Pipe 1/4 NPT [5 Req.]	S23715

Table II

HP	PH	Bracket No.	"AK" Fit	"U" Dim.	Motor Frame
7.5	1	L01951	8-1/2"	1-1/4"	213JP
7.5	3	L01525	4-1/2"	7/8"	184JP
10	1	L01951	8-1/2"	1-1/4"	215JP
10	3	L01951	8-1/2"	1-1/4"	213JP
15	3	L01951	8-1/2"	1-1/4"	215JP

NOTE: For an explanation of the tabulated material found on this page and for impeller key location, refer to **Supplement A** located at the beginning of this section.



BERKELEY® B2-1/2TPMS

Cast Iron Impeller

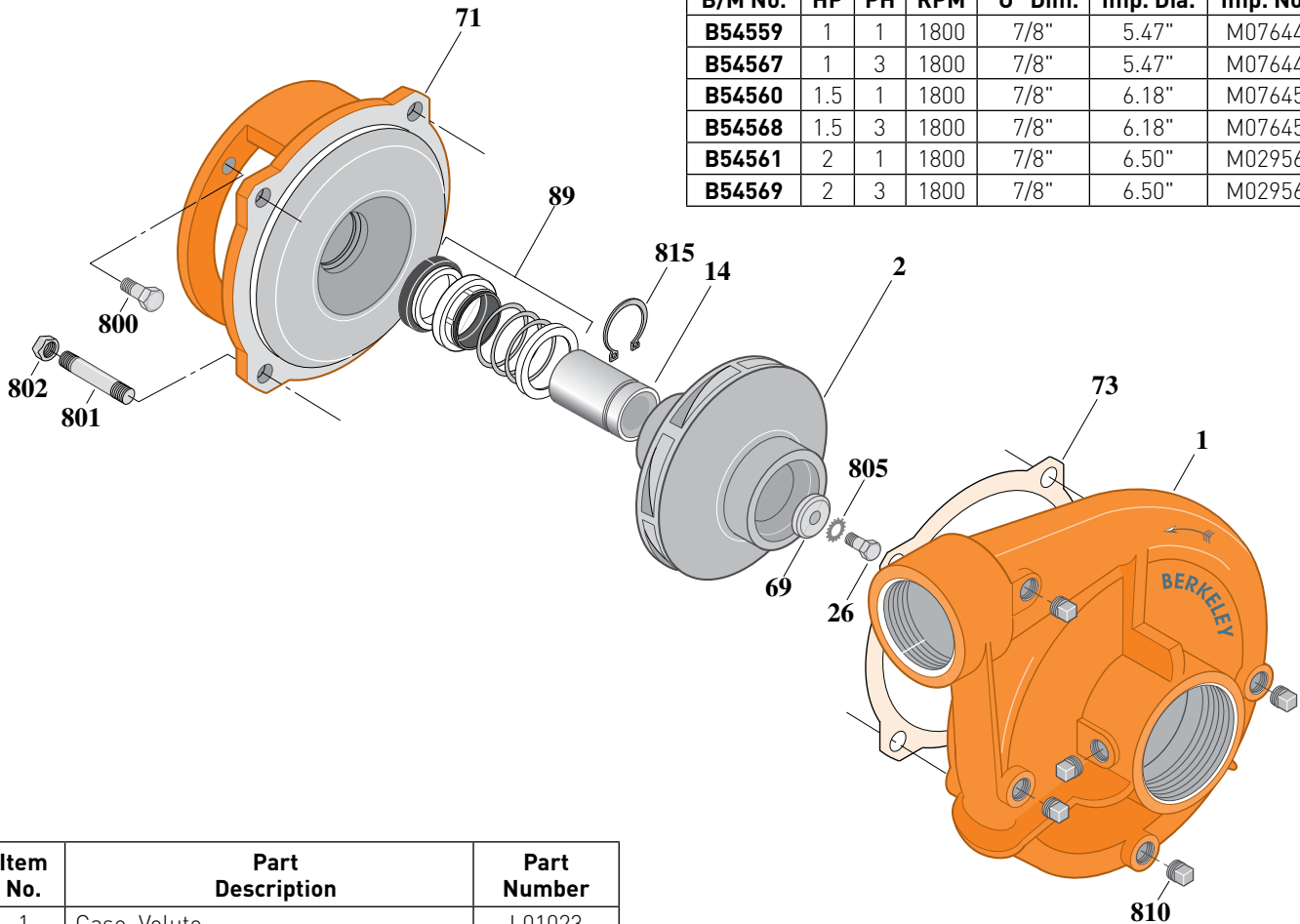
Threaded Case (NPT), Mechanical Shaft Seal Construction

ELECTRIC MOTOR DRIVE

Section	CC
Page	120.4
Date	March 4, 2013
Supersedes 01/01/04	

Table I

B/M No.	HP	PH	RPM	"U" Dim.	Imp. Dia.	Imp. No.
B54559	1	1	1800	7/8"	5.47"	M07644
B54567	1	3	1800	7/8"	5.47"	M07644
B54560	1.5	1	1800	7/8"	6.18"	M07645
B54568	1.5	3	1800	7/8"	6.18"	M07645
B54561	2	1	1800	7/8"	6.50"	M02956
B54569	2	3	1800	7/8"	6.50"	M02956



1480 0195

Item No.	Part Description	Part Number
1	Case, Volute	L01023
2	Impeller	See Table I
14	Sleeve, Shaft	S19310L
26	Screw, Impeller 3/8 - 16 x 1"	S23566
32	Key, 3/16 x 1-1/4" (See Note)	S34383
69	Washer, Impeller	S06314
71	Bracket	See Table II
73	Gasket, Volute	S04757
89	Seal, Mechanical Shaft	S32014
800	Capscrew, 3/8 - 16 x 1" (4 Req.) (For 4-1/2 AK)	S26826
801	Stud, 1/2 - 13 x 1-1/2" (4 Req.)	S24043
802	Nut, 1/2 - 13 (4 Req.)	S23107
805	Washer, Lock	S23036
810	Plug, Pipe 1/4 NPT (5 Req.)	S23715
815	Ring, Retaining	S11207

Table II

HP	PH	Bracket No.	"AK" Fit	"U" Dim.	Motor Frame
1	1	L05329	4-1/2"	7/8"	143JM
1	3	L05329	4-1/2"	7/8"	143JM
1.5	1	L05329	4-1/2"	7/8"	145JM
1.5	3	L05329	4-1/2"	7/8"	145JM
2	1	L05329	4-1/2"	7/8"	182JM
2	3	L05329	4-1/2"	7/8"	145JM

NOTE: For an explanation of the tabulated material found on this page and for impeller key location, refer to **Supplement A** located at the beginning of this section.



BERKELEY® B2-1/2TPMS

ELECTRIC MOTOR DRIVE

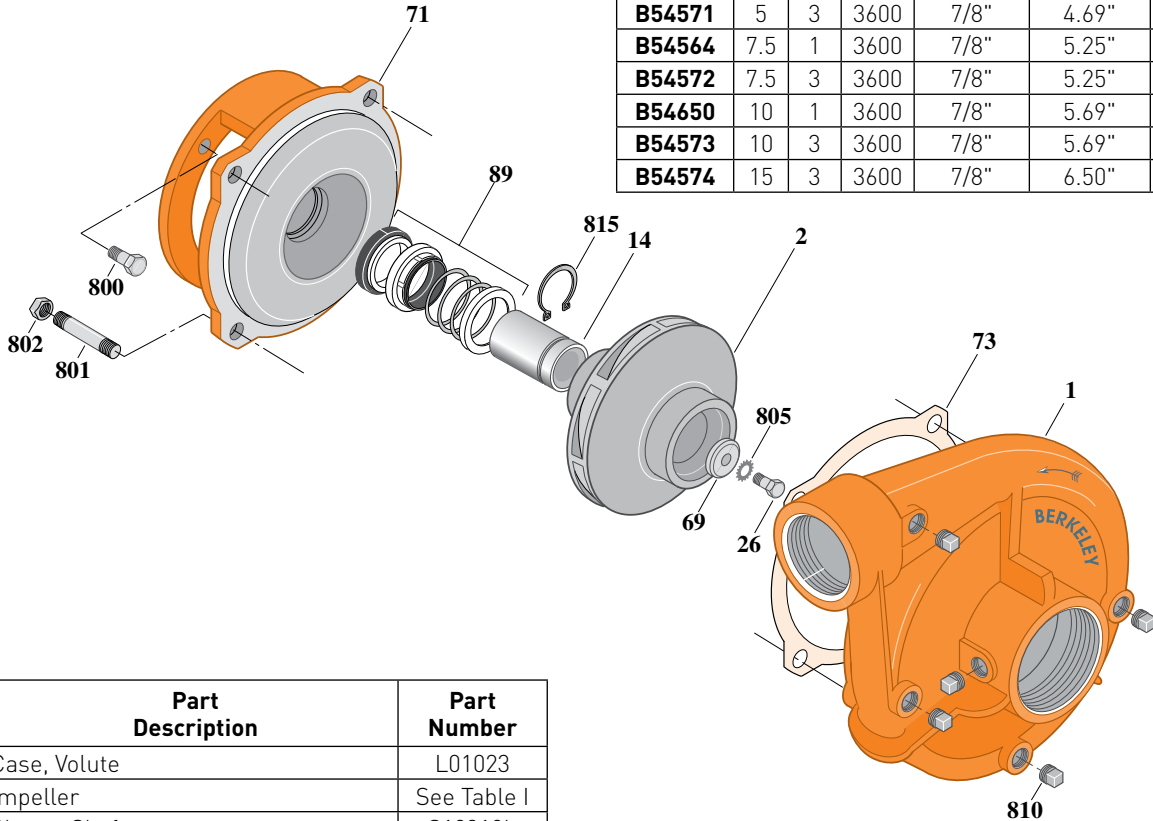
Cast Iron Impeller

Threaded Case (NPT), Mechanical Shaft Seal Construction

Section	CC
Page	120.5
Date	March 4, 2013
Supersedes 01/01/04	

Table I

B/M No.	HP	PH	RPM	"U" Dim.	Imp. Dia.	Imp. No.
B54562	3	1	3600	7/8"	4.00"	M07641
B54570	3	3	3600	7/8"	4.00"	M07641
B54563	5	1	3600	7/8"	4.69"	M07642
B54571	5	3	3600	7/8"	4.69"	M07642
B54564	7.5	1	3600	7/8"	5.25"	M07643
B54572	7.5	3	3600	7/8"	5.25"	M07643
B54650	10	1	3600	7/8"	5.69"	M07683
B54573	10	3	3600	7/8"	5.69"	M07683
B54574	15	3	3600	7/8"	6.50"	M02956



Item No.	Part Description	Part Number
1	Case, Volute	L01023
2	Impeller	See Table I
14	Sleeve, Shaft	S19310L
26	Screw, Impeller 3/8 - 16 x 1"	S23566
32	Key, 3/16 x 1-1/4" [See Note]	S34383
69	Washer, Impeller	S06314
71	Bracket	See Table II
73	Gasket, Volute	S04757
89	Seal, Mechanical Shaft	S32014
800	Capscrew, 3/8 - 16 x 1" [4 Req.] [For 4-1/2 AK]	S26826
800	Capscrew, 1/2 - 13 x 1" [4 Req.] [For 8-1/2 AK]	S26912
801	Stud, 1/2 - 13 x 1-1/2" [4 Req.]	S24043
802	Nut, 1/2 - 13 [4 Req.]	S23107
805	Washer, Lock	S23036
810	Plug, Pipe 1/4 NPT [5 Req.]	S23715
815	Ring, Retaining	S11207

Table II

HP	PH	Bracket No.	"AK" Fit	"U" Dim.	Motor Frame
3	1	L05329	4-1/2"	7/8"	182JM
3	3	L05329	4-1/2"	7/8"	145JM
5	1	L05329	4-1/2"	7/8"	184JM
5	3	L05329	4-1/2"	7/8"	182JM
7.5	1	L05328	8-1/2"	7/8"	213JM
7.5	3	L05329	4-1/2"	7/8"	184JM
10	1	L05328	8-1/2"	7/8"	215JM
10	3	L05328	8-1/2"	7/8"	213JM
15	3	L05328	8-1/2"	7/8"	215JM

NOTE: For an explanation of the tabulated material found on this page and for impeller key location, refer to **Supplement A** located at the beginning of this section.



BERKELEY® B2-1/2TPM

Bronze Impeller

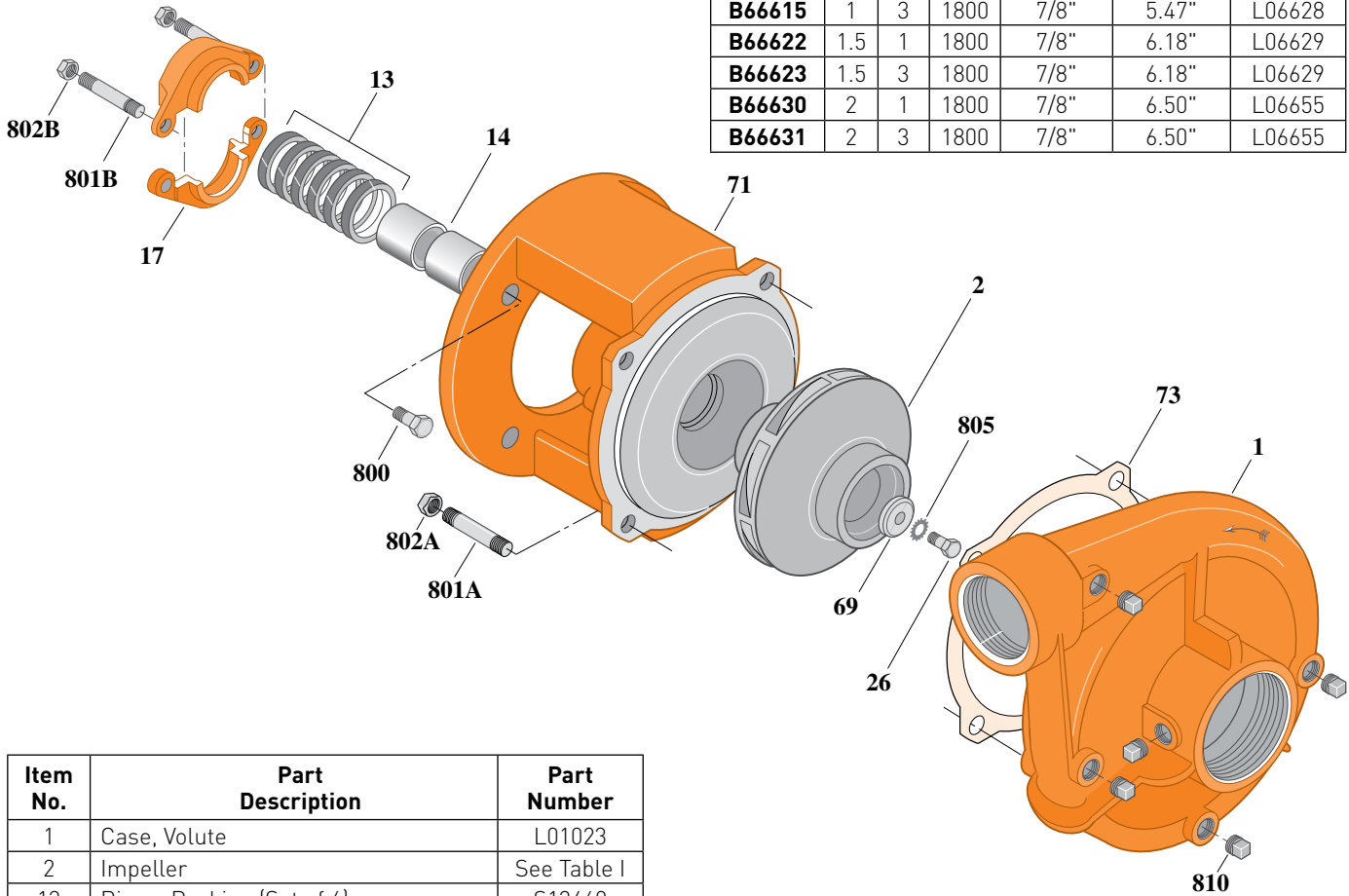
Threaded Case (NPT), Packing Construction

ELECTRIC MOTOR DRIVE

Section	CC
Page	120.6
Date	March 4, 2013
Supersedes 01/01/04	

Table I

B/M No.	HP	PH	RPM	"U" Dim.	Imp. Dia.	Imp. No.
B66614	1	1	1800	7/8"	5.47"	L06628
B66615	1	3	1800	7/8"	5.47"	L06628
B66622	1.5	1	1800	7/8"	6.18"	L06629
B66623	1.5	3	1800	7/8"	6.18"	L06629
B66630	2	1	1800	7/8"	6.50"	L06655
B66631	2	3	1800	7/8"	6.50"	L06655



Item No.	Part Description	Part Number
1	Case, Volute	L01023
2	Impeller	See Table I
13	Rings, Packing (Set of 6)	S13469
14	Sleeve, Shaft (2 Req.)	S00619
17	Gland, Packing	B82469
26	Screw, Impeller 3/8 - 16 x 1"	S23566
32	Key, 3/16 x 1-1/4" (See Note)	S34383
69	Washer, Impeller	S06314
71	Bracket	See Table II
73	Gasket, Volute	S04757
800	Capscrew, 3/8 - 16 x 7/8" (4 Req.)	S26825
801A	Stud, 1/2 - 13 x 1-1/2" (4 Req.)	S24043
801B	Stud, 3/8 - 16 x 4" (2 Req.)	S08303
802A	Nut, Hex 1/2 - 13 (4 Req.)	S23107
802B	Nut, Hex 3/8 - 16 (2 Req.)	S23343
805	Washer, Lock	S23036
810	Plug, Pipe 1/4 NPT (5 Req.)	S23715

Table II

HP	PH	Bracket No.	"AK" Fit	"U" Dim.	Motor Frame
1	1	L01525	4-1/2"	7/8"	143JP
1	3	L01525	4-1/2"	7/8"	143JP
1.5	1	L01525	4-1/2"	7/8"	145JP
1.5	3	L01525	4-1/2"	7/8"	145JP
2	1	L01525	4-1/2"	7/8"	182JP
2	3	L01525	4-1/2"	7/8"	145JP

NOTE: For an explanation of the tabulated material found on this page and for impeller key location, refer to **Supplement A** located at the beginning of this section.



BERKELEY® B2-1/2TPM

Bronze Impeller

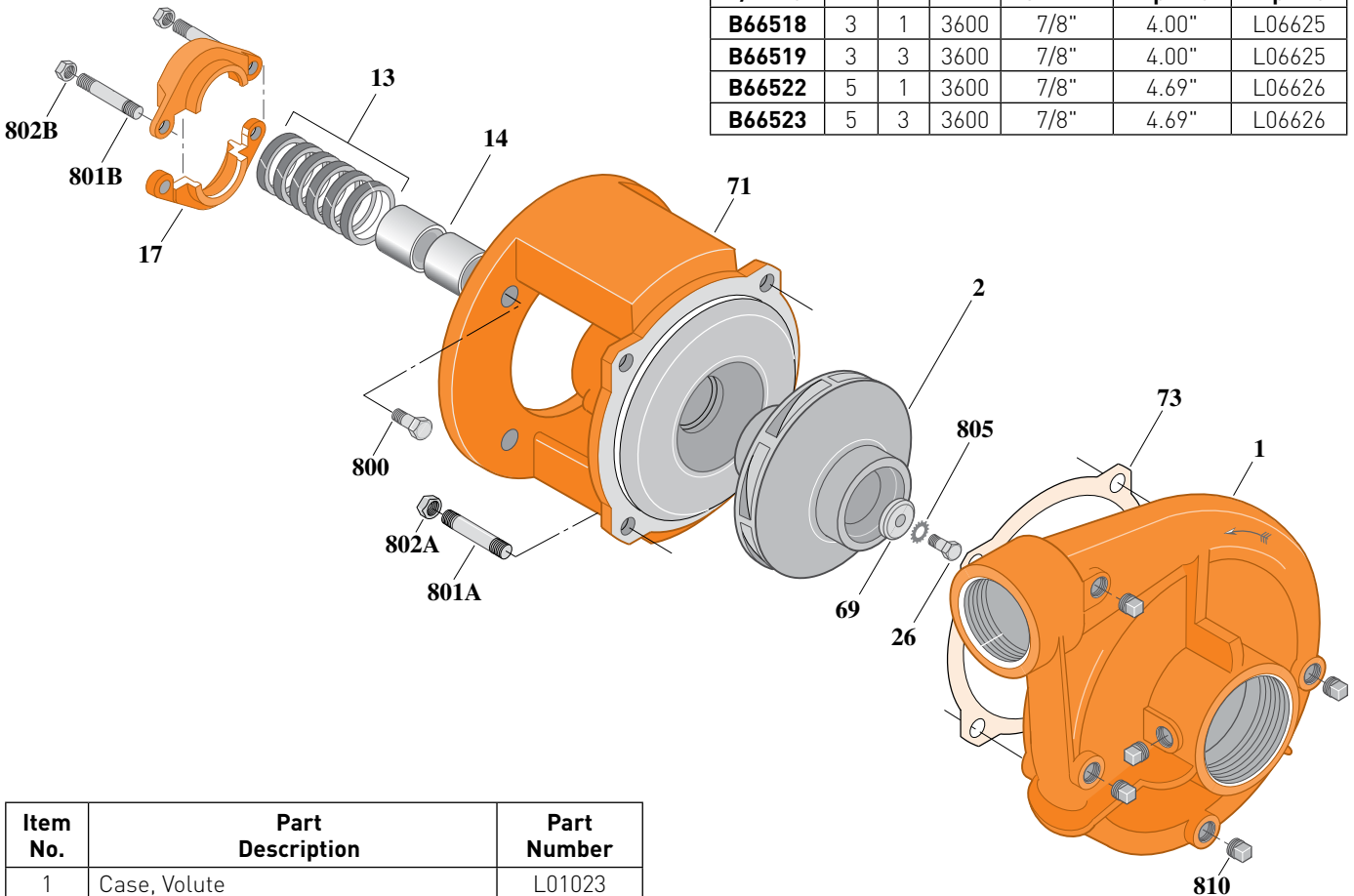
Threaded Case (NPT), Packing Construction

ELECTRIC MOTOR DRIVE

Section	CC
Page	120.7
Date	March 4, 2013
Supersedes 01/01/04	

Table I

B/M No.	HP	PH	RPM	"U" Dim.	Imp. Dia.	Imp. No.
B66518	3	1	3600	7/8"	4.00"	L06625
B66519	3	3	3600	7/8"	4.00"	L06625
B66522	5	1	3600	7/8"	4.69"	L06626
B66523	5	3	3600	7/8"	4.69"	L06626



1720A 0495

Item No.	Part Description	Part Number
1	Case, Volute	L01023
2	Impeller	See Table I
13	Rings, Packing (Set of 6)	S13469
14	Sleeve, Shaft (2 Req.)	S00619
17	Gland, Packing	B82469
26	Screw, Impeller 3/8 - 16 x 1"	S23566
32	Key, 3/16 x 1-1/4" (See Note)	S34383
69	Washer, Impeller	S06314
71	Bracket	See Table II
73	Gasket, Volute	S04757
800	Capscrew, 3/8 - 16 x 7/8" (4 Req.)	S26825
801A	Stud, 1/2 - 13 x 1-1/2" (4 Req.)	S24043
801B	Stud, 3/8 - 16 x 4" (2 Req.)	S08303
802A	Nut, Hex 1/2 - 13 (4 Req.)	S23107
802B	Nut, Hex 3/8 - 16 (2 Req.)	S23343
805	Washer, Lock	S23036
810	Plug, Pipe 1/4 NPT (5 Req.)	S23715

Table II

HP	PH	Bracket No.	"AK" Fit	"U" Dim.	Motor Frame
3	1	L01525	4-1/2"	7/8"	182JP
3	3	L01525	4-1/2"	7/8"	145JP
5	1	L01525	4-1/2"	7/8"	184JP
5	3	L01525	4-1/2"	7/8"	182JP

NOTE: For an explanation of the tabulated material found on this page and for impeller key location, refer to **Supplement A** located at the beginning of this section.



BERKELEY® B2-1/2TPM

Bronze Impeller

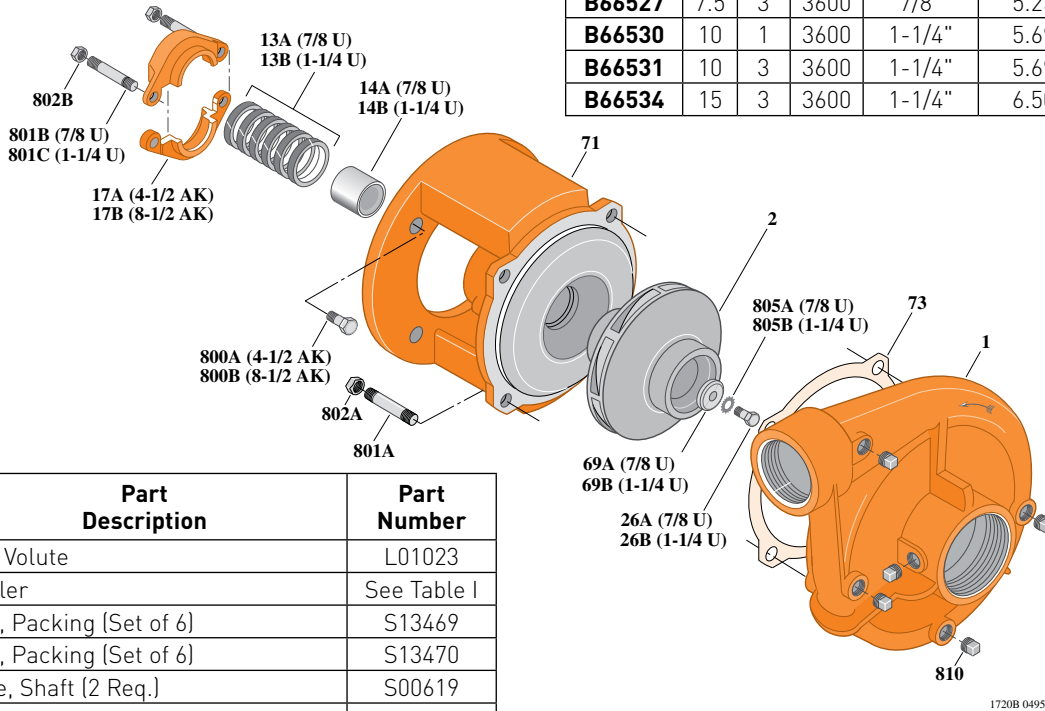
Threaded Case (NPT), Packing Construction

ELECTRIC MOTOR DRIVE

Section	CC
Page	120.8
Date	March 4, 2013
Supersedes 01/01/04	

Table I

B/M No.	HP	PH	RPM	"U" Dim.	Imp. Dia.	Imp. No.
B66526	7.5	1	3600	1-1/4"	5.25"	L06623
B66527	7.5	3	3600	7/8"	5.25"	L06627
B66530	10	1	3600	1-1/4"	5.69"	L06624
B66531	10	3	3600	1-1/4"	5.69"	L06624
B66534	15	3	3600	1-1/4"	6.50"	L06656



Item No.	Part Description	Part Number
1	Case, Volute	L01023
2	Impeller	See Table I
13A	Rings, Packing [Set of 6]	S13469
13B	Rings, Packing [Set of 6]	S13470
14A	Sleeve, Shaft [2 Req.]	S00619
14B	Sleeve, Shaft	S05149
17A	Gland, Packing	B82469
17B	Gland, Packing	B82470
26A	Screw, Impeller 3/8 - 16 x 1"	S23566
26B	Screw, Impeller 1/2 - 13 x 1"	S23619
32A	Key, 3/16 x 1-1/4" [See Note]	S34383
32B	Key, 1/4 x 2-1/4" [See Note]	S23677
69A	Washer, Impeller	S06314
69B	Washer, Impeller	S06319
71	Bracket	See Table II
73	Gasket, Volute	S04757
800A	Capscrew, 3/8 - 16 x 7/8" [4 Req.]	S26825
800B	Capscrew, 1/2 - 13 x 1" [4 Req.]	S26912
801A	Stud, 1/2 - 13 x 1-1/2" [4 Req.]	S24043
801B	Stud, 3/8 - 16 x 4" [2 Req.]	S08303
801C	Stud, 3/8 - 16 x 3-1/2" [2 Req.]	S04441
802A	Nut, Hex 1/2 - 13 [4 Req.]	S23107
802B	Nut, Hex 3/8 - 16 [2 Req.]	S23343
805A	Washer, Lock	S23036
805B	Washer, Lock	S23038
810	Plug, Pipe 1/4 NPT [5 Req.]	S23715

Table II

HP	PH	Bracket No.	"AK" Fit	"U" Dim.	Motor Frame
7.5	1	L01951	8-1/2"	1-1/4"	213JP
7.5	3	L01525	4-1/2"	7/8"	184JP
10	1	L01951	8-1/2"	1-1/4"	215JP
10	3	L01951	8-1/2"	1-1/4"	213JP
15	3	L01951	8-1/2"	1-1/4"	215JP

NOTE: For an explanation of the tabulated material found on this page and for impeller key location, refer to **Supplement A** located at the beginning of this section.



BERKELEY® B2-1/2TPMS

ELECTRIC MOTOR DRIVE

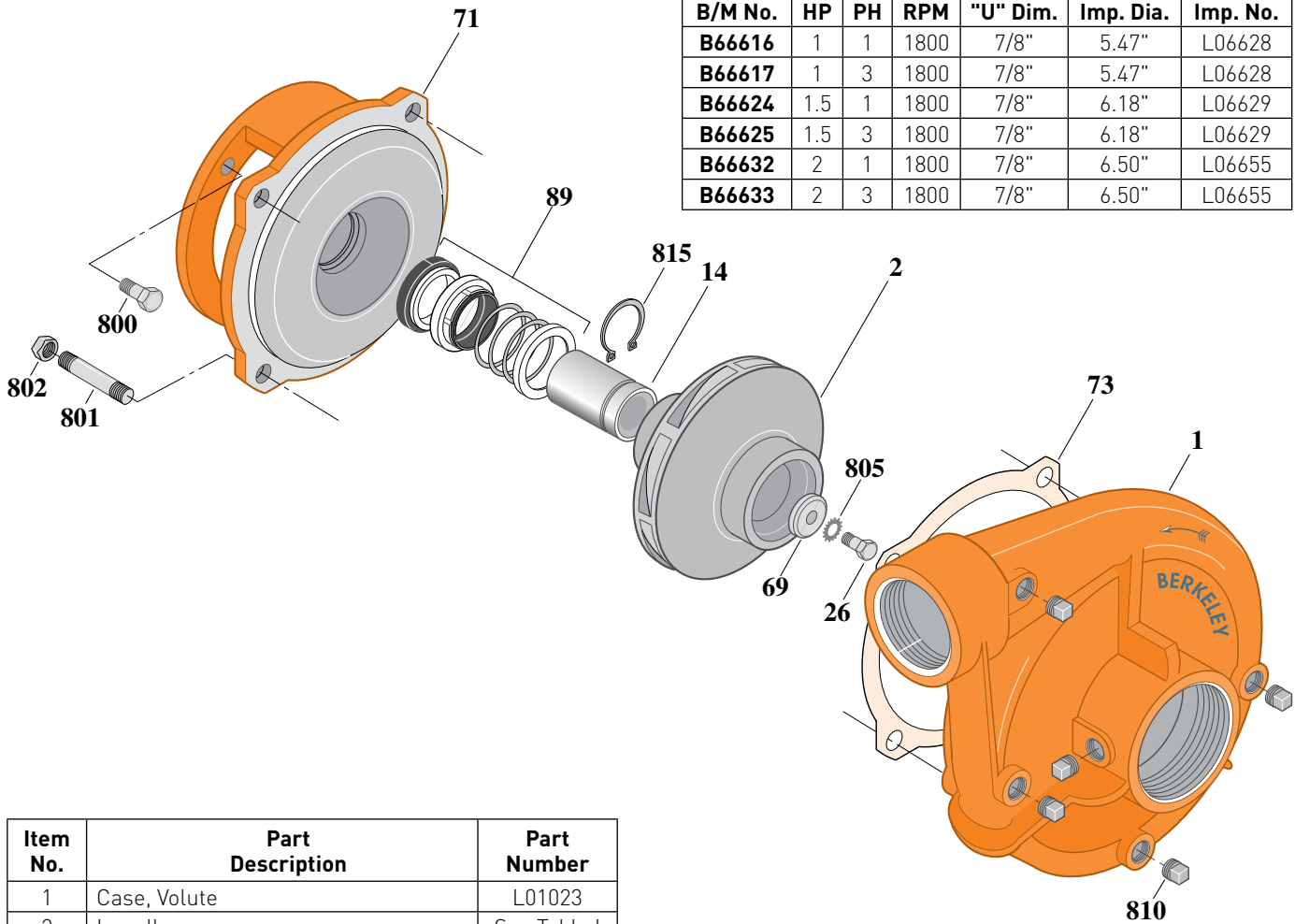
Bronze Impeller

Threaded Case (NPT), Mechanical Shaft Seal Construction

Section	CC
Page	120.9
Date	March 4, 2013
Supersedes 01/01/04	

Table I

B/M No.	HP	PH	RPM	"U" Dim.	Imp. Dia.	Imp. No.
B66616	1	1	1800	7/8"	5.47"	L06628
B66617	1	3	1800	7/8"	5.47"	L06628
B66624	1.5	1	1800	7/8"	6.18"	L06629
B66625	1.5	3	1800	7/8"	6.18"	L06629
B66632	2	1	1800	7/8"	6.50"	L06655
B66633	2	3	1800	7/8"	6.50"	L06655



Item No.	Part Description	Part Number
1	Case, Volute	L01023
2	Impeller	See Table I
14	Sleeve, Shaft	S19310L
26	Screw, Impeller 3/8 - 16 x 1"	S23566
32	Key, 3/16 x 1-1/4" (See Note)	S34383
69	Washer, Impeller	S06314
71	Bracket	See Table II
73	Gasket, Volute	S04757
89	Seal, Mechanical Shaft	S32014
800	Capscrew, 3/8 - 16 x 1" (4 Req.) (For 4-1/2 AK)	S26826
801	Stud, 1/2 - 13 x 1-1/2" (4 Req.)	S24043
802	Nut, 1/2 - 13 (4 Req.)	S23107
805	Washer, Lock	S23036
810	Plug, Pipe 1/4 NPT (5 Req.)	S23715
815	Ring, Retaining	S11207

Table II

HP	PH	Bracket No.	"AK" Fit	"U" Dim.	Motor Frame
1	1	L05329	4-1/2"	7/8"	143JM
1	3	L05329	4-1/2"	7/8"	143JM
1.5	1	L05329	4-1/2"	7/8"	145JM
1.5	3	L05329	4-1/2"	7/8"	145JM
2	1	L05329	4-1/2"	7/8"	182JM
2	3	L05329	4-1/2"	7/8"	145JM

NOTE: For an explanation of the tabulated material found on this page and for impeller key location, refer to **Supplement A** located at the beginning of this section.



BERKELEY® B2-1/2TPMS

ELECTRIC MOTOR DRIVE

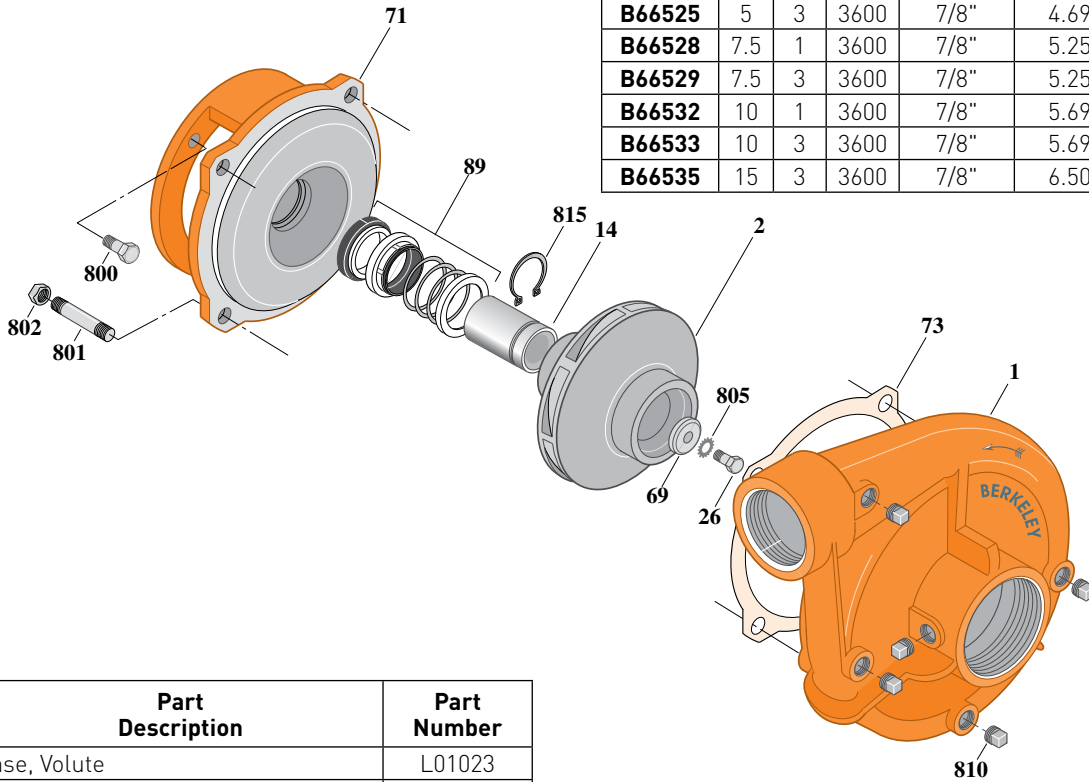
Bronze Impeller

Threaded Case (NPT), Mechanical Shaft Seal Construction

Section	CC
Page	120.10
Date	March 4, 2013
Supersedes 01/01/04	

Table I

B/M No.	HP	PH	RPM	"U" Dim.	Imp. Dia.	Imp. No.
B66520	3	1	3600	7/8"	4.00"	L06625
B66521	3	3	3600	7/8"	4.00"	L06625
B66524	5	1	3600	7/8"	4.69"	L06626
B66525	5	3	3600	7/8"	4.69"	L06626
B66528	7.5	1	3600	7/8"	5.25"	L06627
B66529	7.5	3	3600	7/8"	5.25"	L06627
B66532	10	1	3600	7/8"	5.69"	L06641
B66533	10	3	3600	7/8"	5.69"	L06641
B66535	15	3	3600	7/8"	6.50"	L06655



Item No.	Part Description	Part Number
1	Case, Volute	L01023
2	Impeller	See Table I
14	Sleeve, Shaft	S19310L
26	Screw, Impeller 3/8 - 16 x 1"	S23566
32	Key, 3/16 x 1-1/4" [See Note]	S34383
69	Washer, Impeller	S06314
71	Bracket	See Table II
73	Gasket, Volute	S04757
89	Seal, Mechanical Shaft	S32014
800	Capscrew, 3/8 - 16 x 1" [4 Req.] [For 4-1/2 AK]	S26826
800	Capscrew, 1/2 - 13 x 1" [4 Req.] [For 8-1/2 AK]	S26912
801	Stud, 1/2 - 13 x 1-1/2" [4 Req.]	S24043
802	Nut, 1/2 - 13 [4 Req.]	S23107
805	Washer, Lock	S23036
810	Plug, Pipe 1/4 NPT [5 Req.]	S23715
815	Ring, Retaining	S11207

Table II

HP	PH	Bracket No.	"AK" Fit	"U" Dim.	Motor Frame
3	1	L05329	4-1/2"	7/8"	182JM
3	3	L05329	4-1/2"	7/8"	145JM
5	1	L05329	4-1/2"	7/8"	184JM
5	3	L05329	4-1/2"	7/8"	182JM
7.5	1	L05328	8-1/2"	7/8"	213JM
7.5	3	L05329	4-1/2"	7/8"	184JM
10	1	L05328	8-1/2"	7/8"	215JM
10	3	L05328	8-1/2"	7/8"	213JM
15	3	L05328	8-1/2"	7/8"	215JM

NOTE: For an explanation of the tabulated material found on this page and for impeller key location, refer to **Supplement A** located at the beginning of this section.



BERKELEY® B2-1/2TPM

Silicon Bronze Impeller

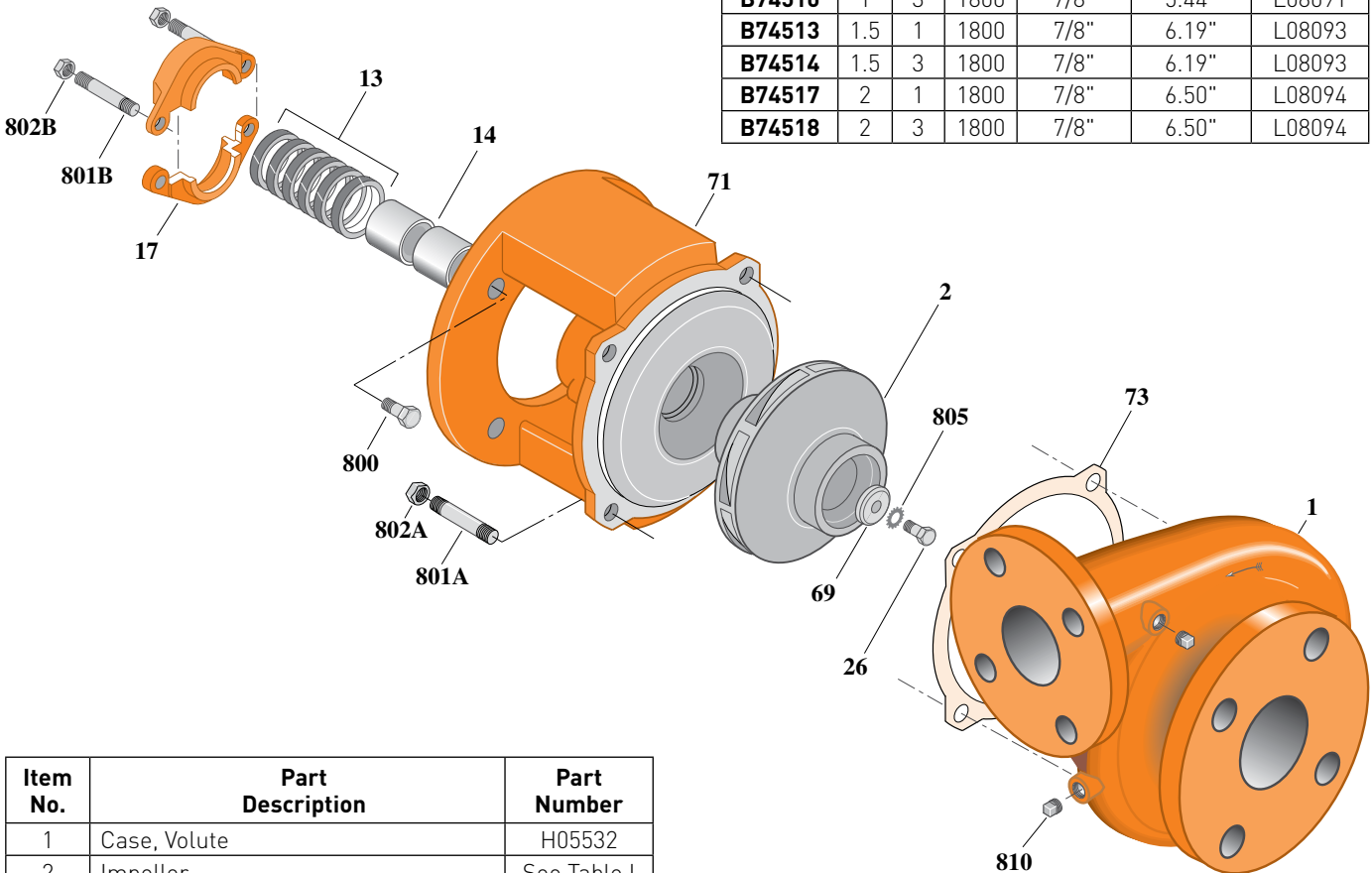
Flanged Case, Packing Construction

ELECTRIC MOTOR DRIVE

Section	CC
Page	120.11
Date	March 4, 2013
Supersedes 01/01/04	

Table I

B/M No.	HP	PH	RPM	"U" Dim.	Imp. Dia.	Imp. No.
B74509	1	1	1800	7/8"	5.44"	L08091
B74510	1	3	1800	7/8"	5.44"	L08091
B74513	1.5	1	1800	7/8"	6.19"	L08093
B74514	1.5	3	1800	7/8"	6.19"	L08093
B74517	2	1	1800	7/8"	6.50"	L08094
B74518	2	3	1800	7/8"	6.50"	L08094



1721B 0497

Item No.	Part Description	Part Number
1	Case, Volute	H05532
2	Impeller	See Table I
13	Rings, Packing (Set of 6)	S13469
14	Sleeve, Shaft (2 Req.)	S00619
17	Gland, Packing	B82469
26	Screw, Impeller 3/8 - 16 x 1"	S23566
32	Key, 3/16 x 1-1/4" (See Note)	S34383
69	Washer, Impeller	S06314
71	Bracket	See Table II
73	Gasket, Volute	S04757
800	Capscrew, 3/8 - 16 x 7/8" (4 Req.)	S26825
801A	Stud, 1/2 - 13 x 1-1/2" (4 Req.)	S24043
801B	Stud, 3/8 - 16 x 4" (2 Req.)	S08303
802A	Nut, Hex 1/2 - 13 (4 Req.)	S23107
802B	Nut, Hex 3/8 - 16 (2 Req.)	S23343
805	Washer, Lock	S23036
810	Plug, Pipe 1/4" NPT (4 Req.)	S23715

Table II

HP	PH	Bracket No.	"AK" Fit	"U" Dim.	Motor Frame
1	1	L01525	4-1/2"	7/8"	143JP
1	3	L01525	4-1/2"	7/8"	143JP
1.5	1	L01525	4-1/2"	7/8"	145JP
1.5	3	L01525	4-1/2"	7/8"	145JP
2	1	L01525	4-1/2"	7/8"	182JP
2	3	L01525	4-1/2"	7/8"	145JP

NOTE: For an explanation of the tabulated material found on this page and for impeller key location, refer to **Supplement A** located at the beginning of this section.



BERKELEY® B2-1/2TPM

Silicon Bronze Impeller

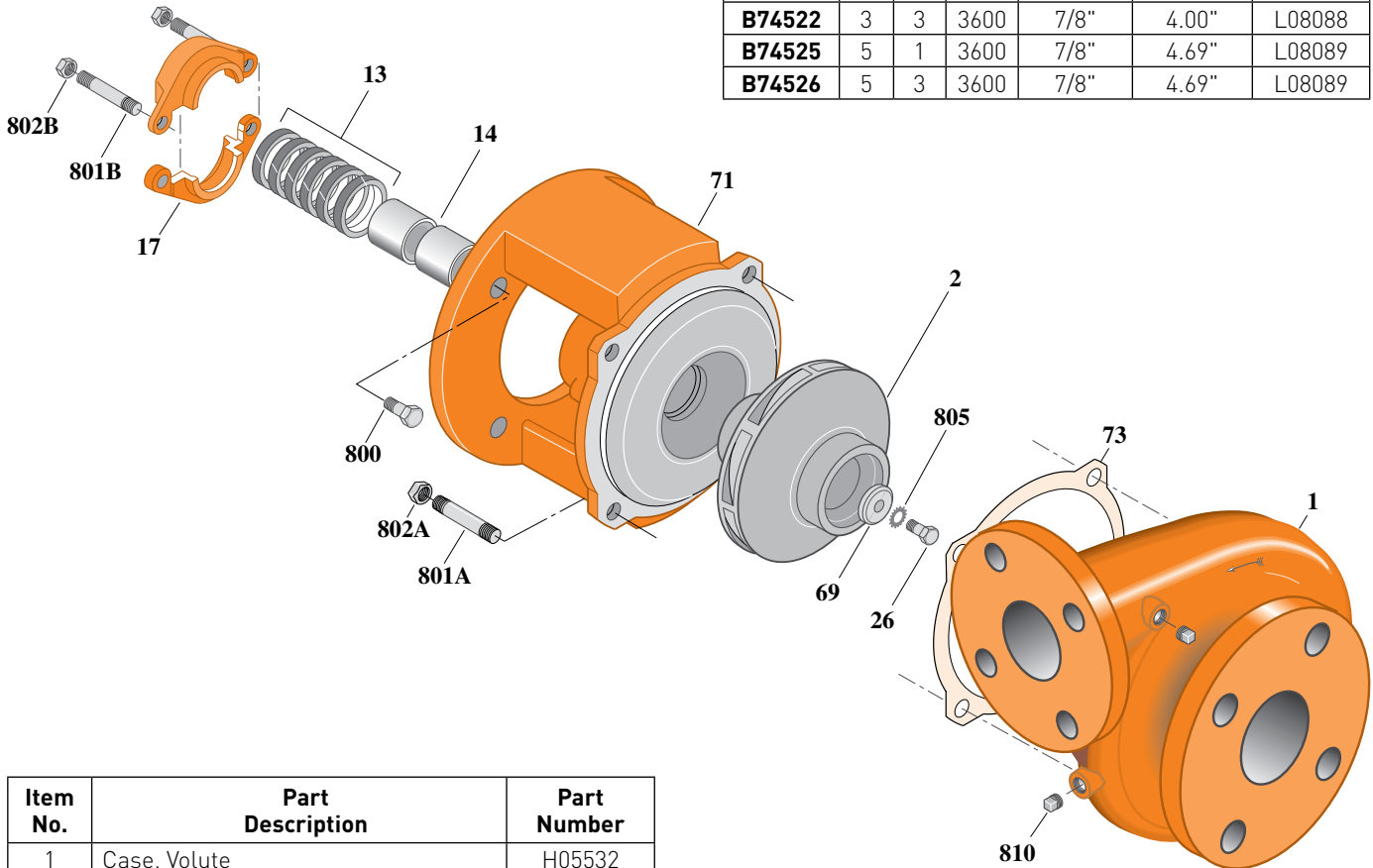
Flanged Case, Packing Construction

ELECTRIC MOTOR DRIVE

Section	CC
Page	120.12
Date	March 4, 2013
Supersedes 01/01/04	

Table I

B/M No.	HP	PH	RPM	"U" Dim.	Imp. Dia.	Imp. No.
B74521	3	1	3600	7/8"	4.00"	L08088
B74522	3	3	3600	7/8"	4.00"	L08088
B74525	5	1	3600	7/8"	4.69"	L08089
B74526	5	3	3600	7/8"	4.69"	L08089



1720C 0497

Item No.	Part Description	Part Number
1	Case, Volute	H05532
2	Impeller	See Table I
13	Rings, Packing (Set of 6)	S13469
14	Sleeve, Shaft (2 Req.)	S00619
17	Gland, Packing	B82469
26	Screw, Impeller 3/8 - 16 x 1"	S23566
32	Key, 3/16 x 1-1/4" (See Note)	S34383
69	Washer, Impeller	S06314
71	Bracket	See Table II
73	Gasket, Volute	S04757
800	Capscrew, 3/8 - 16 x 7/8" (4 Req.)	S26825
801A	Stud, 1/2 - 13 x 1-1/2" (4 Req.)	S24043
801B	Stud, 3/8 - 16 x 4" (2 Req.)	S08303
802A	Nut, Hex 1/2 - 13 (4 Req.)	S23107
802B	Nut, Hex 3/8 - 16 (2 Req.)	S23343
805	Washer, Lock	S23036
810	Plug, Pipe 1/4" NPT (4 Req.)	S23715

Table II

HP	PH	Bracket No.	"AK" Fit	"U" Dim.	Motor Frame
3	1	L01525	4-1/2"	7/8"	182JP
3	3	L01525	4-1/2"	7/8"	145JP
5	1	L01525	4-1/2"	7/8"	184JP
5	3	L01525	4-1/2"	7/8"	182JP

NOTE: For an explanation of the tabulated material found on this page and for impeller key location, refer to **Supplement A** located at the beginning of this section.



BERKELEY® B2-1/2TPM

Silicon Bronze Impeller

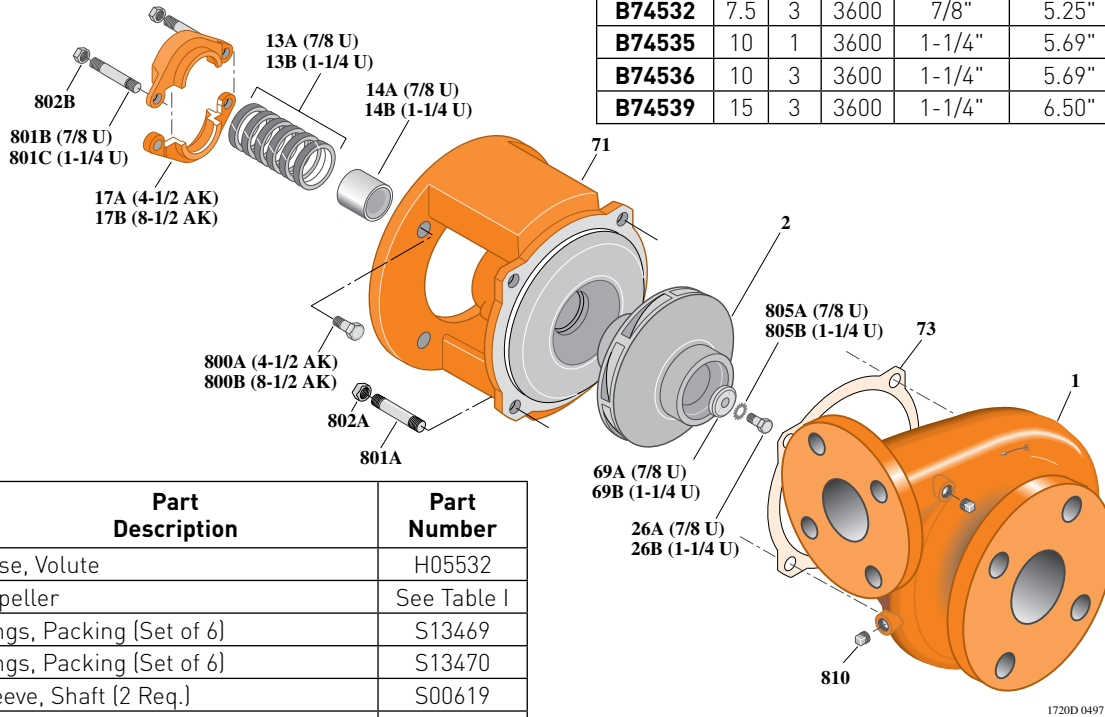
Flanged Case, Packing Construction

ELECTRIC MOTOR DRIVE

Section	CC
Page	120.13
Date	March 4, 2013
Supersedes 01/01/04	

Table I

B/M No.	HP	PH	RPM	"U" Dim.	Imp. Dia.	Imp. No.
B74529	7.5	1	3600	1-1/4"	5.25"	L08085
B74532	7.5	3	3600	7/8"	5.25"	L08090
B74535	10	1	3600	1-1/4"	5.69"	L08086
B74536	10	3	3600	1-1/4"	5.69"	L08086
B74539	15	3	3600	1-1/4"	6.50"	L08087



Item No.	Part Description	Part Number
1	Case, Volute	H05532
2	Impeller	See Table I
13A	Rings, Packing [Set of 6]	S13469
13B	Rings, Packing [Set of 6]	S13470
14A	Sleeve, Shaft [2 Req.]	S00619
14B	Sleeve, Shaft	S05149
17A	Gland, Packing	B82469
17B	Gland, Packing	B82470
26A	Screw, Impeller 3/8 - 16 x 1"	S23566
26B	Screw, Impeller 1/2 - 13 x 1"	S23619
32A	Key, 3/16 x 1-1/4" [See Note]	S34383
32B	Key, 1/4 x 2-1/4" [See Note]	S23677
69A	Washer, Impeller	S06314
69B	Washer, Impeller	S06319
71	Bracket	See Table II
73	Gasket, Volute	S04757
800A	Capscrew, 3/8 - 16 x 7/8" [4 Req.]	S26825
800B	Capscrew, 1/2 - 13 x 1" [4 Req.]	S26912
801A	Stud, 1/2 - 13 x 1-1/2" [4 Req.]	S24043
801B	Stud, 3/8 - 16 x 4" [2 Req.]	S08303
801C	Stud, 3/8 - 16 x 3-1/2" [2 Req.]	S04441
802A	Nut, Hex 1/2 - 13 [4 Req.]	S23107
802B	Nut, Hex 3/8 - 16 [2 Req.]	S23343
805A	Washer, Lock	S23036
805B	Washer, Lock	S23038
810	Plug, Pipe 1/4" NPT [4 Req.]	S23715

Table II

HP	PH	Bracket No.	"AK" Fit	"U" Dim.	Motor Frame
7.5	1	L01951	8-1/2"	1-1/4"	213JP
7.5	3	L01525	4-1/2"	7/8"	184JP
10	1	L01951	8-1/2"	1-1/4"	215JP
10	3	L01951	8-1/2"	1-1/4"	213JP
15	3	L01951	8-1/2"	1-1/4"	215JP

NOTE: For an explanation of the tabulated material found on this page and for impeller key location, refer to **Supplement A** located at the beginning of this section.

BERKELEY® B2-1/2TPMS Silicon Bronze Impeller

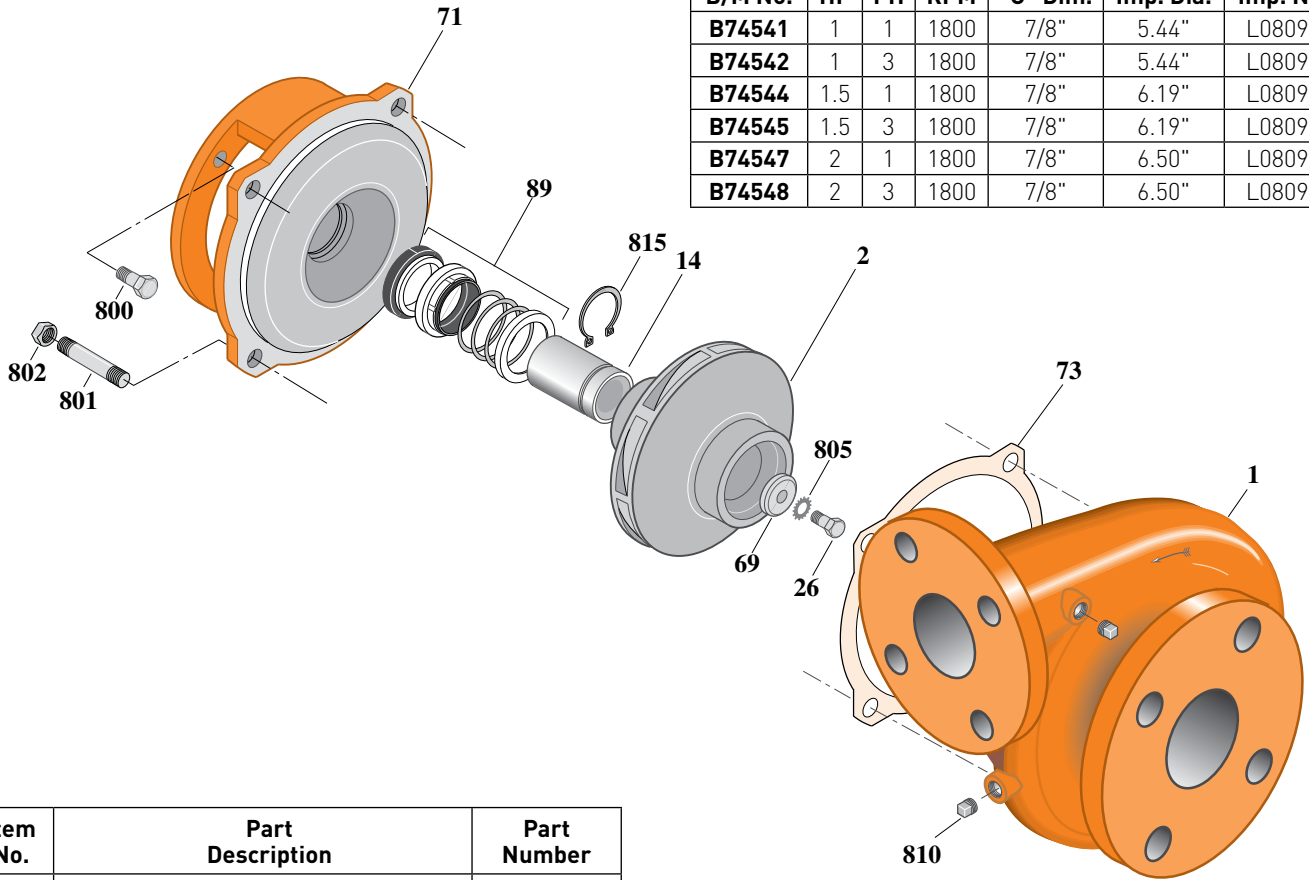
Flanged Case, Mechanical Shaft Seal Construction

ELECTRIC MOTOR DRIVE

Section	CC
Page	120.14
Date	March 4, 2013
Supersedes 01/01/04	

Table I

B/M No.	HP	PH	RPM	"U" Dim.	Imp. Dia.	Imp. No.
B74541	1	1	1800	7/8"	5.44"	L08091
B74542	1	3	1800	7/8"	5.44"	L08091
B74544	1.5	1	1800	7/8"	6.19"	L08093
B74545	1.5	3	1800	7/8"	6.19"	L08093
B74547	2	1	1800	7/8"	6.50"	L08094
B74548	2	3	1800	7/8"	6.50"	L08094



1480B 0497

Item No.	Part Description	Part Number
1	Case, Volute	H05532
2	Impeller	See Table I
14	Sleeve, Shaft	S19310L
26	Screw, Impeller 3/8 - 16 x 1"	S23566
32	Key, 3/16 x 1-1/4" [See Note]	S34383
69	Washer, Impeller	S06314
71	Bracket	See Table II
73	Gasket, Volute	S04757
89	Seal, Mechanical Shaft	S32014
800	Capscrew, 3/8 - 16 x 1" (4 Req.)	S26826
801	Stud, 1/2 - 13 x 1-1/2" (4 Req.)	S24043
802	Nut, 1/2 - 13 (4 Req.)	S23107
805	Washer, Lock	S23036
810	Plug, Pipe 1/4" NPT (4 Req.)	S23715
815	Ring, Retaining	S11207
•	Plug, Pipe 1/8" NPT (In Bracket)	S23714

• Not illustrated.

Table II

HP	PH	Bracket No.	"AK" Fit	"U" Dim.	Motor Frame
1	1	L05329	4-1/2"	7/8"	143JM
1	3	L05329	4-1/2"	7/8"	143JM
1.5	1	L05329	4-1/2"	7/8"	145JM
1.5	3	L05329	4-1/2"	7/8"	145JM
2	1	L05329	4-1/2"	7/8"	182JM
2	3	L05329	4-1/2"	7/8"	145JM

NOTE 1: For an explanation of the tabulated material found on this page and for impeller key location, refer to **Supplement A** located at the beginning of this section.

NOTE 2: For seal flush line details, see **Supplement D**.



BERKELEY® B2-1/2TPMS Silicon Bronze Impeller

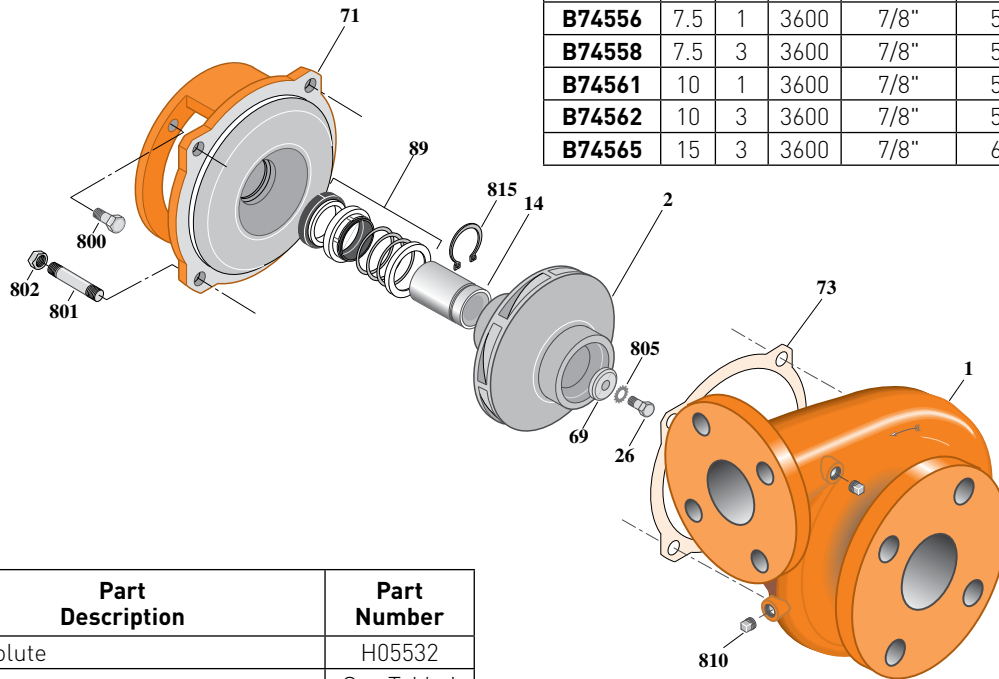
Flanged Case, Mechanical Shaft Seal Construction

ELECTRIC MOTOR DRIVE

Section	CC
Page	120.15
Date	March 4, 2013
Supersedes 01/01/04	

Table I

B/M No.	HP	PH	RPM	"U" Dim.	Imp. Dia.	Imp. No.
B74550	3	1	3600	7/8"	4.00"	L08088
B74551	3	3	3600	7/8"	4.00"	L08088
B74553	5	1	3600	7/8"	4.69"	L08089
B74554	5	3	3600	7/8"	4.69"	L08089
B74556	7.5	1	3600	7/8"	5.25"	L08090
B74558	7.5	3	3600	7/8"	5.25"	L08090
B74561	10	1	3600	7/8"	5.69"	L08092
B74562	10	3	3600	7/8"	5.69"	L08092
B74565	15	3	3600	7/8"	6.50"	L08094



1480B 0497

Item No.	Part Description	Part Number
1	Case, Volute	H05532
2	Impeller	See Table I
14	Sleeve, Shaft	S19310L
26	Screw, Impeller 3/8 - 16 x 1"	S23566
32	Key, 3/16 x 1-1/4" [See Note]	S34383
69	Washer, Impeller	S06314
71	Bracket	See Table II
73	Gasket, Volute	S04757
89	Seal, Mechanical Shaft	S32014
800	Capscrew, 3/8 - 16 x 1" (4 Req.) (For 4-1/2 AK)	S26826
800	Capscrew, 1/2 - 13 x 1" (4 Req.) (For 8-1/2 AK)	S26912
801	Stud, 1/2 - 13 x 1-1/2" (4 Req.)	S24043
802	Nut, 1/2 - 13 (4 Req.)	S23107
805	Washer, Lock	S23036
810	Plug, Pipe 1/4" NPT (4 Req.)	S23715
815	Ring, Retaining	S11207
•	Plug, Pipe 1/8" NPT (In Bracket)	S23714

• Not illustrated.

Table II

HP	PH	Bracket No.	"AK" Fit	"U" Dim.	Motor Frame
3	1	L05329	4-1/2"	7/8"	182JM
3	3	L05329	4-1/2"	7/8"	145JM
5	1	L05329	4-1/2"	7/8"	184JM
5	3	L05329	4-1/2"	7/8"	182JM
7.5	1	L05328	8-1/2"	7/8"	213JM
7.5	3	L05329	4-1/2"	7/8"	184JM
10	1	L05328	8-1/2"	7/8"	215JM
10	3	L05328	8-1/2"	7/8"	213JM
15	3	L05328	8-1/2"	7/8"	215JM

NOTE 1: For an explanation of the tabulated material found on this page and for impeller key location, refer to **Supplement A** located at the beginning of this section.

NOTE 2: For seal flush line details, see **Supplement D**.



BERKELEY® B2-1/2TPM

Silicon Bronze Impeller

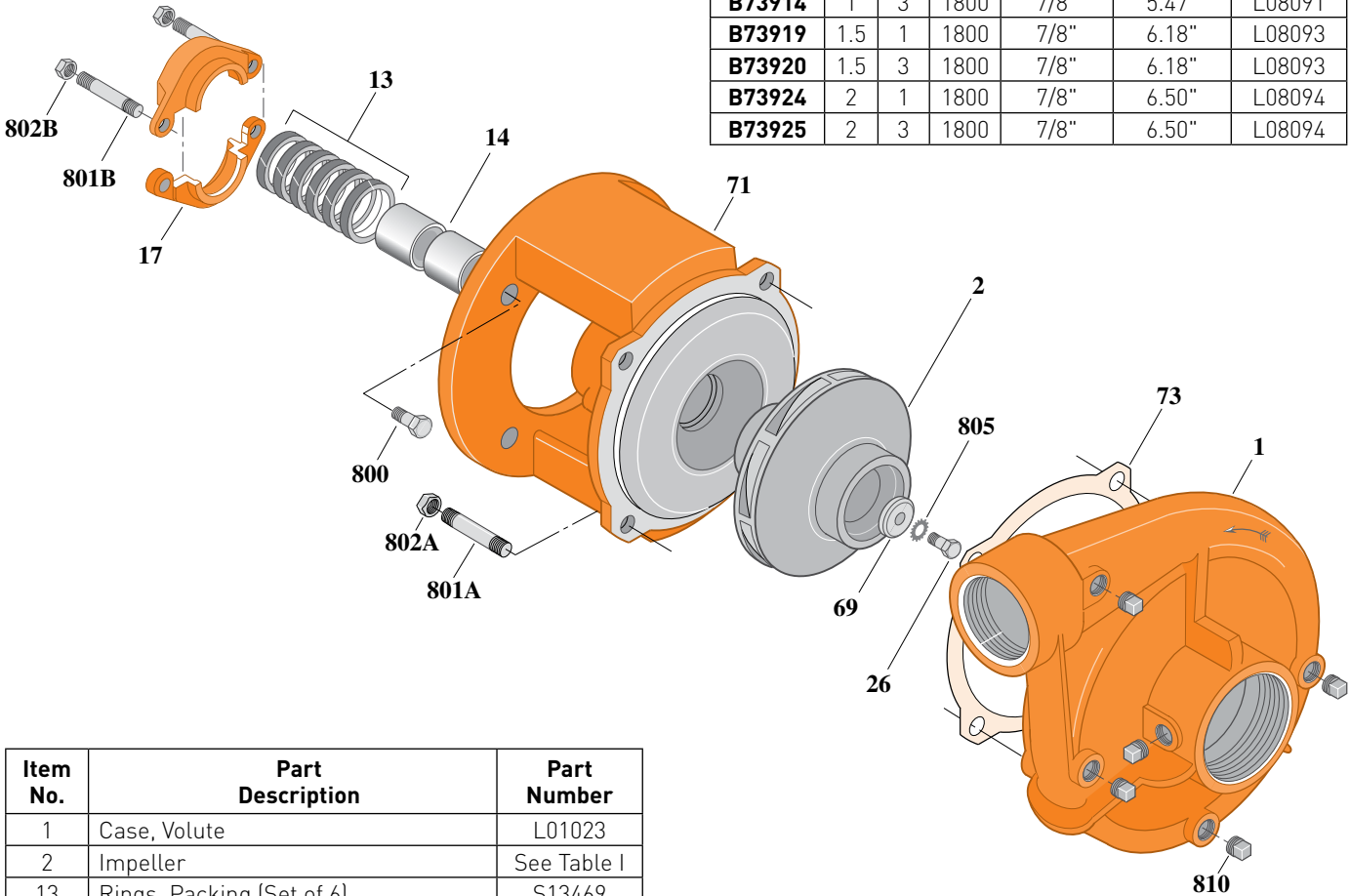
Threaded Case (NPT), Packing Construction

ELECTRIC MOTOR DRIVE

Section	CC
Page	120.16
Date	March 4, 2013
Supersedes 01/01/04	

Table I

B/M No.	HP	PH	RPM	"U" Dim.	Imp. Dia.	Imp. No.
B73913	1	1	1800	7/8"	5.47"	L08091
B73914	1	3	1800	7/8"	5.47"	L08091
B73919	1.5	1	1800	7/8"	6.18"	L08093
B73920	1.5	3	1800	7/8"	6.18"	L08093
B73924	2	1	1800	7/8"	6.50"	L08094
B73925	2	3	1800	7/8"	6.50"	L08094



Item No.	Part Description	Part Number
1	Case, Volute	L01023
2	Impeller	See Table I
13	Rings, Packing (Set of 6)	S13469
14	Sleeve, Shaft (2 Req.)	S00619
17	Gland, Packing	B82469
26	Screw, Impeller 3/8 - 16 x 1"	S23566
32	Key, 3/16 x 1-1/4" (See Note)	S34383
69	Washer, Impeller	S06314
71	Bracket	See Table II
73	Gasket, Volute	S04757
800	Capscrew, 3/8 - 16 x 7/8" (4 Req.)	S26825
801A	Stud, 1/2 - 13 x 1-1/2" (4 Req.)	S24043
801B	Stud, 3/8 - 16 x 4" (2 Req.)	S08303
802A	Nut, Hex 1/2 - 13 (4 Req.)	S23107
802B	Nut, Hex 3/8 - 16 (2 Req.)	S23343
805	Washer, Lock	S23036
810	Plug, Pipe 1/4" NPT (5 Req.)	S23715

Table II

HP	PH	Bracket No.	"AK" Fit	"U" Dim.	Motor Frame
1	1	L01525	4-1/2"	7/8"	143JP
1	3	L01525	4-1/2"	7/8"	143JP
1.5	1	L01525	4-1/2"	7/8"	145JP
1.5	3	L01525	4-1/2"	7/8"	145JP
2	1	L01525	4-1/2"	7/8"	182JP
2	3	L01525	4-1/2"	7/8"	145JP

NOTE: For an explanation of the tabulated material found on this page and for impeller key location, refer to **Supplement A** located at the beginning of this section.



BERKELEY® B2-1/2TPM

Silicon Bronze Impeller

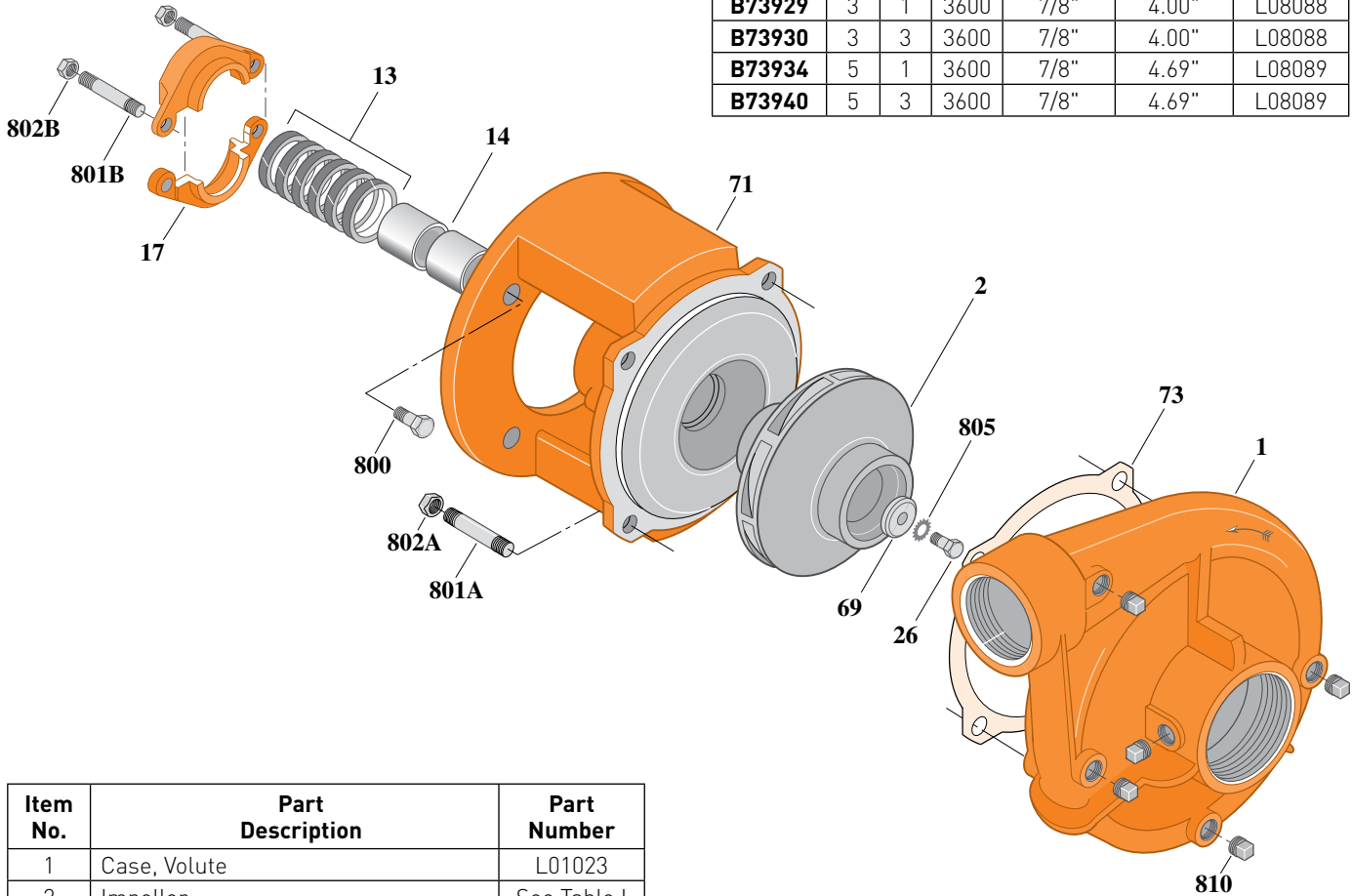
Threaded Case (NPT), Packing Construction

ELECTRIC MOTOR DRIVE

Section	CC
Page	120.17
Date	March 4, 2013
Supersedes 01/01/04	

Table I

B/M No.	HP	PH	RPM	"U" Dim.	Imp. Dia.	Imp. No.
B73929	3	1	3600	7/8"	4.00"	L08088
B73930	3	3	3600	7/8"	4.00"	L08088
B73934	5	1	3600	7/8"	4.69"	L08089
B73940	5	3	3600	7/8"	4.69"	L08089



1720A 0495

Item No.	Part Description	Part Number
1	Case, Volute	L01023
2	Impeller	See Table I
13	Rings, Packing (Set of 6)	S13469
14	Sleeve, Shaft (2 Req.)	S00619
17	Gland, Packing	B82469
26	Screw, Impeller 3/8 - 16 x 1"	S23566
32	Key, 3/16 x 1-1/4" (See Note)	S34383
69	Washer, Impeller	S06314
71	Bracket	See Table II
73	Gasket, Volute	S04757
800	Capscrew, 3/8 - 16 x 7/8" (4 Req.)	S26825
801A	Stud, 1/2 - 13 x 1-1/2" (4 Req.)	S24043
801B	Stud, 3/8 - 16 x 4" (2 Req.)	S08303
802A	Nut, Hex 1/2 - 13 (4 Req.)	S23107
802B	Nut, Hex 3/8 - 16 (2 Req.)	S23343
805	Washer, Lock	S23036
810	Plug, Pipe 1/4" NPT (5 Req.)	S23715

Table II

HP	PH	Bracket No.	"AK" Fit	"U" Dim.	Motor Frame
3	1	L01525	4-1/2"	7/8"	182JP
3	3	L01525	4-1/2"	7/8"	145JP
5	1	L01525	4-1/2"	7/8"	184JP
5	3	L01525	4-1/2"	7/8"	182JP

NOTE: For an explanation of the tabulated material found on this page and for impeller key location, refer to **Supplement A** located at the beginning of this section.



BERKELEY® B2-1/2TPM

Silicon Bronze Impeller

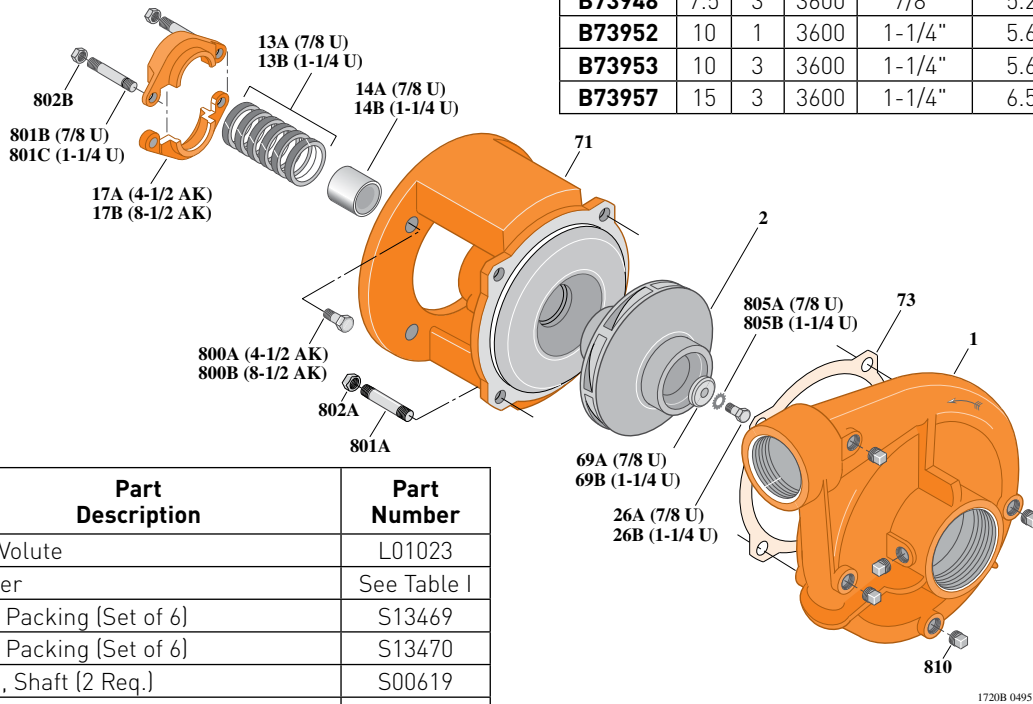
Threaded Case (NPT), Packing Construction

ELECTRIC MOTOR DRIVE

Section	CC
Page	120.18
Date	March 4, 2013
Supersedes 01/01/04	

Table I

B/M No.	HP	PH	RPM	"U" Dim.	Imp. Dia.	Imp. No.
B73944	7.5	1	3600	1-1/4"	5.25"	L08085
B73948	7.5	3	3600	7/8"	5.25"	L08090
B73952	10	1	3600	1-1/4"	5.69"	L08086
B73953	10	3	3600	1-1/4"	5.69"	L08086
B73957	15	3	3600	1-1/4"	6.50"	L08087



Item No.	Part Description	Part Number
1	Case, Volute	L01023
2	Impeller	See Table I
13A	Rings, Packing [Set of 6]	S13469
13B	Rings, Packing [Set of 6]	S13470
14A	Sleeve, Shaft [2 Req.]	S00619
14B	Sleeve, Shaft	S05149
17A	Gland, Packing	B82469
17B	Gland, Packing	B82470
26A	Screw, Impeller 3/8 - 16 x 1"	S23566
26B	Screw, Impeller 1/2 - 13 x 1"	S23619
32A	Key, 3/16 x 1-1/4" [See Note]	S34383
32B	Key, 1/4 x 2-1/4" [See Note]	S23677
69A	Washer, Impeller	S06314
69B	Washer, Impeller	S06319
71	Bracket	See Table II
73	Gasket, Volute	S04757
800A	Capscrew, 3/8 - 16 x 7/8" [4 Req.]	S26825
800B	Capscrew, 1/2 - 13 x 1" [4 Req.]	S26912
801A	Stud, 1/2 - 13 x 1-1/2" [4 Req.]	S24043
801B	Stud, 3/8 - 16 x 4" [2 Req.]	S08303
801C	Stud, 3/8 - 16 x 3-1/2" [2 Req.]	S04441
802A	Nut, Hex 1/2 - 13 [4 Req.]	S23107
802B	Nut, Hex 3/8 - 16 [2 Req.]	S23343
805A	Washer, Lock	S23036
805B	Washer, Lock	S23038
810	Plug, Pipe 1/4" NPT [5 Req.]	S23715

Table II

HP	PH	Bracket No.	"AK" Fit	"U" Dim.	Motor Frame
7.5	1	L01951	8-1/2"	1-1/4"	213JP
7.5	3	L01525	4-1/2"	7/8"	184JP
10	1	L01951	8-1/2"	1-1/4"	215JP
10	3	L01951	8-1/2"	1-1/4"	213JP
15	3	L01951	8-1/2"	1-1/4"	215JP

NOTE: For an explanation of the tabulated material found on this page and for impeller key location, refer to **Supplement A** located at the beginning of this section.



BERKELEY® B2-1/2TPMS

Silicon Bronze Impeller

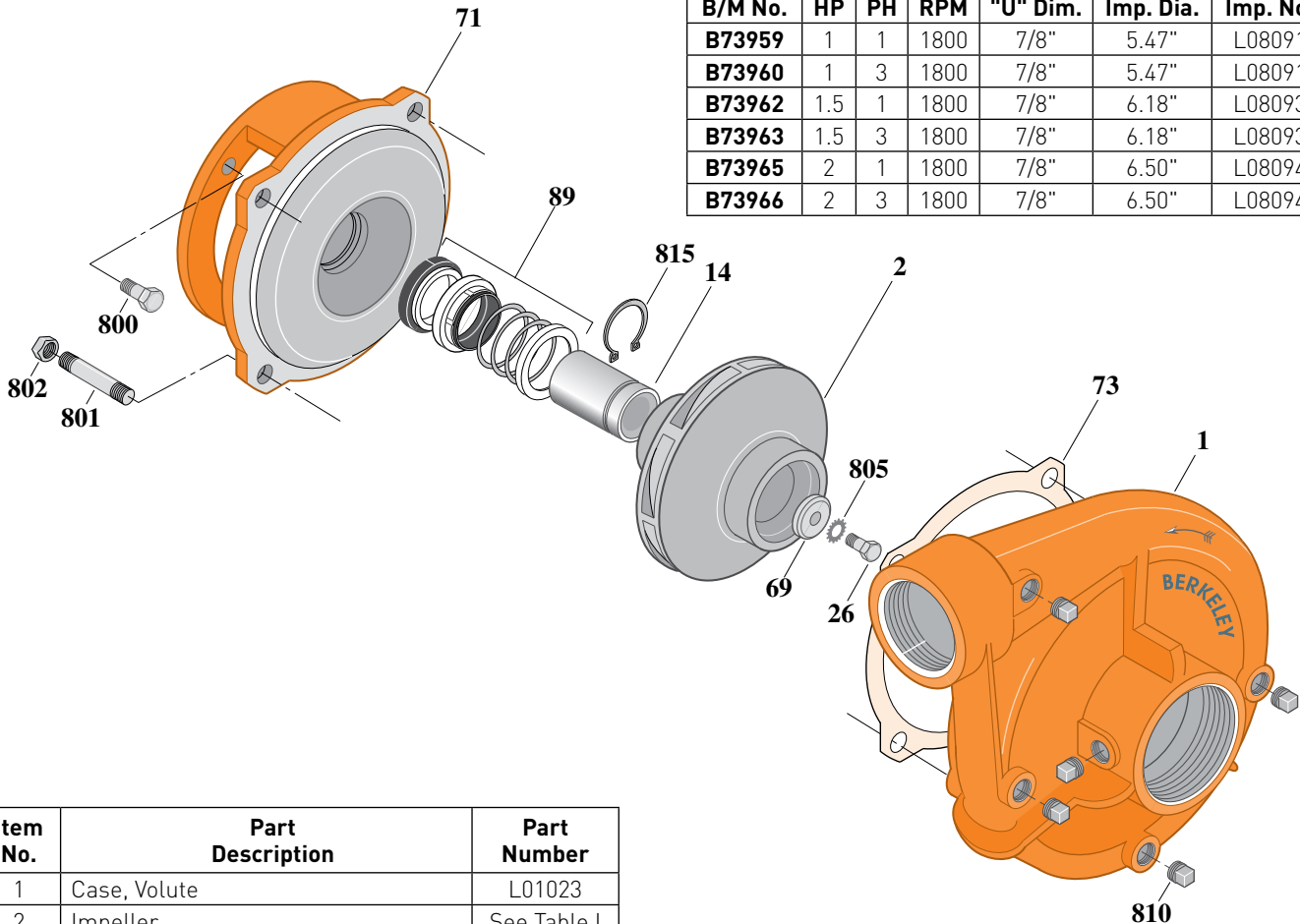
Threaded Case (NPT), Mechanical Shaft Seal Construction

ELECTRIC MOTOR DRIVE

Section	CC
Page	120.19
Date	March 4, 2013
Supersedes 01/01/04	

Table I

B/M No.	HP	PH	RPM	"U" Dim.	Imp. Dia.	Imp. No.
B73959	1	1	1800	7/8"	5.47"	L08091
B73960	1	3	1800	7/8"	5.47"	L08091
B73962	1.5	1	1800	7/8"	6.18"	L08093
B73963	1.5	3	1800	7/8"	6.18"	L08093
B73965	2	1	1800	7/8"	6.50"	L08094
B73966	2	3	1800	7/8"	6.50"	L08094



Item No.	Part Description	Part Number
1	Case, Volute	L01023
2	Impeller	See Table I
14	Sleeve, Shaft	S19310L
26	Screw, Impeller 3/8 - 16 x 1"	S23566
32	Key, 3/16 x 1-1/4" [See Note]	S34383
69	Washer, Impeller	S06314
71	Bracket	See Table II
73	Gasket, Volute	S04757
89	Seal, Mechanical Shaft	S32014
800	Capscrew, 3/8 - 16 x 1" [4 Req.]	S26826
801	Stud, 1/2 - 13 x 1-1/2" [4 Req.]	S24043
802	Nut, 1/2 - 13 [4 Req.]	S23107
805	Washer, Lock	S23036
810	Plug, Pipe 1/4" NPT [5 Req.]	S23715
815	Ring, Retaining	S11207
•	Plug, Pipe 1/8" NPT [In Bracket]	S23714

• Not illustrated.

Table II

HP	PH	Bracket No.	"AK" Fit	"U" Dim.	Motor Frame
1	1	L05329	4-1/2"	7/8"	143JM
1	3	L05329	4-1/2"	7/8"	143JM
1.5	1	L05329	4-1/2"	7/8"	145JM
1.5	3	L05329	4-1/2"	7/8"	145JM
2	1	L05329	4-1/2"	7/8"	182JM
2	3	L05329	4-1/2"	7/8"	145JM

NOTE 1: For an explanation of the tabulated material found on this page and for impeller key location, refer to **Supplement A** located at the beginning of this section.

NOTE 2: For seal flush line details, see **Supplement D**.



BERKELEY® B2-1/2TPMS

ELECTRIC MOTOR DRIVE

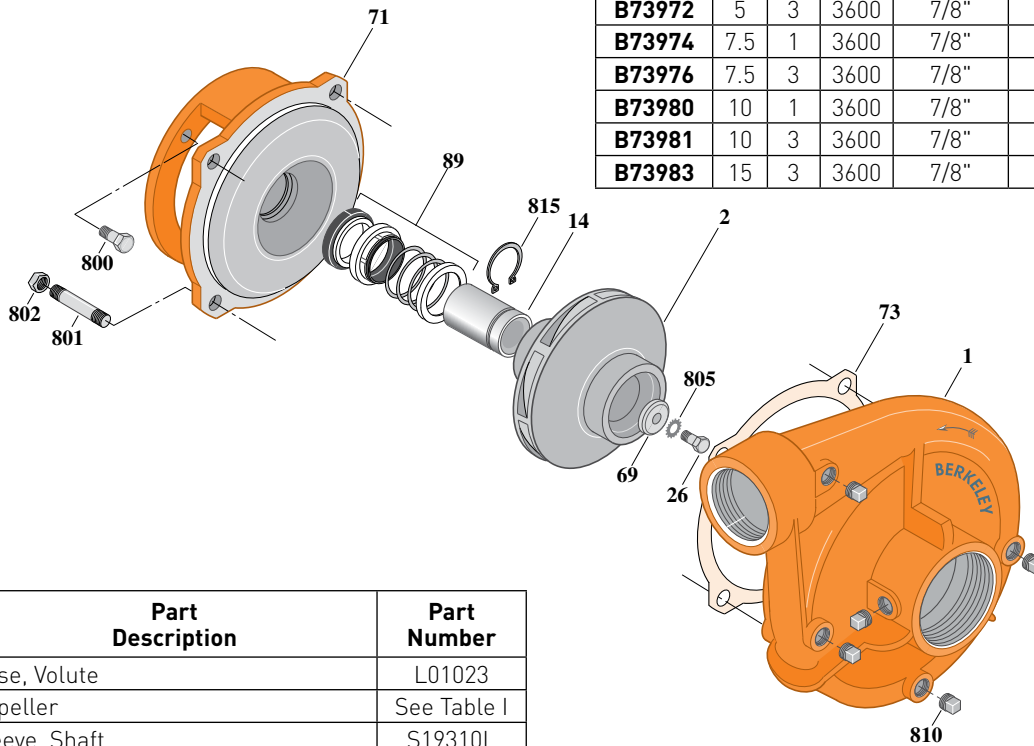
Silicon Bronze Impeller

Threaded Case (NPT), Mechanical Shaft Seal Construction

Section	CC
Page	120.20
Date	March 4, 2013
Supersedes 01/01/04	

Table I

B/M No.	HP	PH	RPM	"U" Dim.	Imp. Dia.	Imp. No.
B73968	3	1	3600	7/8"	4.00"	L08088
B73969	3	3	3600	7/8"	4.00"	L08088
B73971	5	1	3600	7/8"	4.69"	L08089
B73972	5	3	3600	7/8"	4.69"	L08089
B73974	7.5	1	3600	7/8"	5.25"	L08090
B73976	7.5	3	3600	7/8"	5.25"	L08090
B73980	10	1	3600	7/8"	5.69"	L08092
B73981	10	3	3600	7/8"	5.69"	L08092
B73983	15	3	3600	7/8"	6.50"	L08094



Item No.	Part Description	Part Number
1	Case, Volute	L01023
2	Impeller	See Table I
14	Sleeve, Shaft	S19310L
26	Screw, Impeller 3/8 - 16 x 1"	S23566
32	Key, 3/16 x 1-1/4" [See Note]	S34383
69	Washer, Impeller	S06314
71	Bracket	See Table II
73	Gasket, Volute	S04757
89	Seal, Mechanical Shaft	S32014
800	Capscrew, 3/8 - 16 x 1" (4 Req.) (For 4-1/2 AK)	S26826
800	Capscrew, 1/2 - 13 x 1" (4 Req.) (For 8-1/2 AK)	S26912
801	Stud, 1/2 - 13 x 1-1/2" (4 Req.)	S24043
802	Nut, 1/2 - 13 (4 Req.)	S23107
805	Washer, Lock	S23036
810	Plug, Pipe 1/4" NPT (5 Req.)	S23715
815	Ring, Retaining	S11207
•	Plug, Pipe 1/8" NPT (In Bracket)	S23714

• Not illustrated.

Table II

HP	PH	Bracket No.	"AK" Fit	"U" Dim.	Motor Frame
3	1	L05329	4-1/2"	7/8"	182JM
3	3	L05329	4-1/2"	7/8"	145JM
5	1	L05329	4-1/2"	7/8"	184JM
5	3	L05329	4-1/2"	7/8"	182JM
7.5	1	L05328	8-1/2"	7/8"	213JM
7.5	3	L05329	4-1/2"	7/8"	184JM
10	1	L05328	8-1/2"	7/8"	215JM
10	3	L05328	8-1/2"	7/8"	213JM
15	3	L05328	8-1/2"	7/8"	215JM

NOTE 1: For an explanation of the tabulated material found on this page and for impeller key location, refer to **Supplement A** located at the beginning of this section.

NOTE 2: For seal flush line details, see **Supplement D**.



BERKELEY® B2-1/2ZPL

Cast Iron Impeller

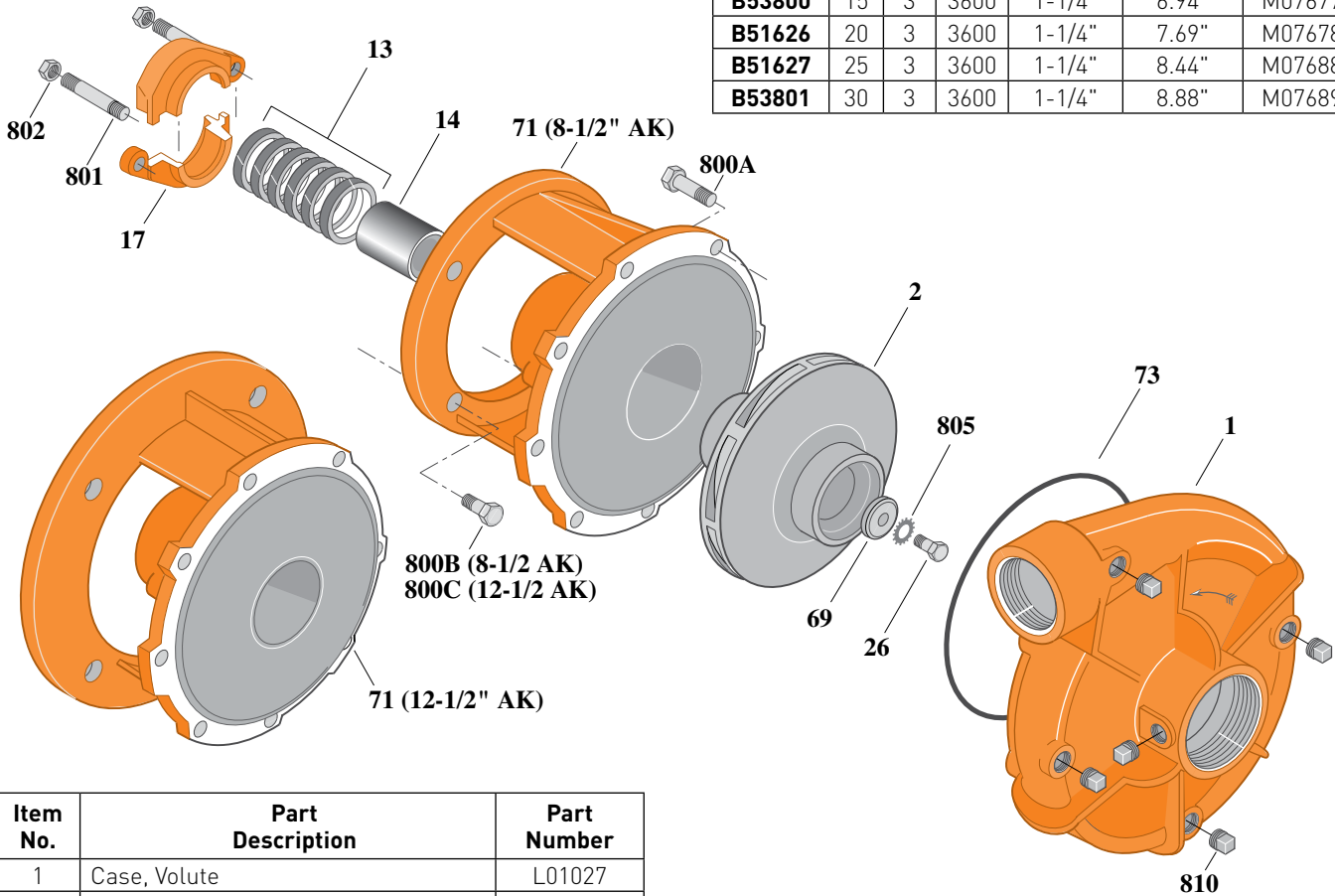
Threaded Case (NPT), Packing Construction

ELECTRIC MOTOR DRIVE

Section	CC
Page	130.1
Date	March 4, 2013
Supersedes 07/01/11	

Table I

B/M No.	HP	PH	RPM	"U" Dim.	Imp. Dia.	Imp. No.
B53800	15	3	3600	1-1/4"	6.94"	M07677
B51626	20	3	3600	1-1/4"	7.69"	M07678
B51627	25	3	3600	1-1/4"	8.44"	M07688
B53801	30	3	3600	1-1/4"	8.88"	M07689



Item No.	Part Description	Part Number
1	Case, Volute	L01027
2	Impeller	See Table I
13	Rings, Packing (Set of 6)	S13470
14	Sleeve, Shaft	S05149L
17	Gland, Packing	B82470
26	Screw, Impeller 1/2 - 13 x 1"	S23619
32	Key, 1/4 x 2-1/4" [See Note 1]	S23677
69	Washer, Impeller	S06319
71	Bracket	See Table II
73	O-Ring [See Note 2]	M14943
800A	Capscrew, 3/8 - 16 x 7/8" (8 Req.)	S26825
800B	Capscrew, 1/2 - 13 x 1-1/2" (4 Req.)	S26916
800C	Capscrew, 5/8 - 11 x 1-1/2" (4 Req.)	S26999
801	Stud, 3/8 - 16 x 4" (2 Req.)	S08303
802	Nut, Hex 3/8 - 16 (2 Req.)	S23343
805	Washer, Lock	S23038
810	Plug, Pipe 1/4 NPT (5 Req.)	S23715

Table II

HP	PH	Bracket No.	"AK" Fit	"U" Dim.	Motor Frame
15	3	L03827	8-1/2"	1-1/4"	215JP
20	3	L03827	8-1/2"	1-1/4"	254JP
25	3	L03827	8-1/2"	1-1/4"	256JP
30	3	L01563	12-1/2"	1-1/4"	284JP

NOTE 1: For an explanation of the tabulated material found on this page and for impeller key location, refer to **Supplement A** located at the beginning of this section.

NOTE 2: Also accepts gasket **S05126** as replacement for O-Ring. See **Supplement E** located at the beginning of this section.



BERKELEY® B2-1/2ZPLS

Cast Iron Impeller

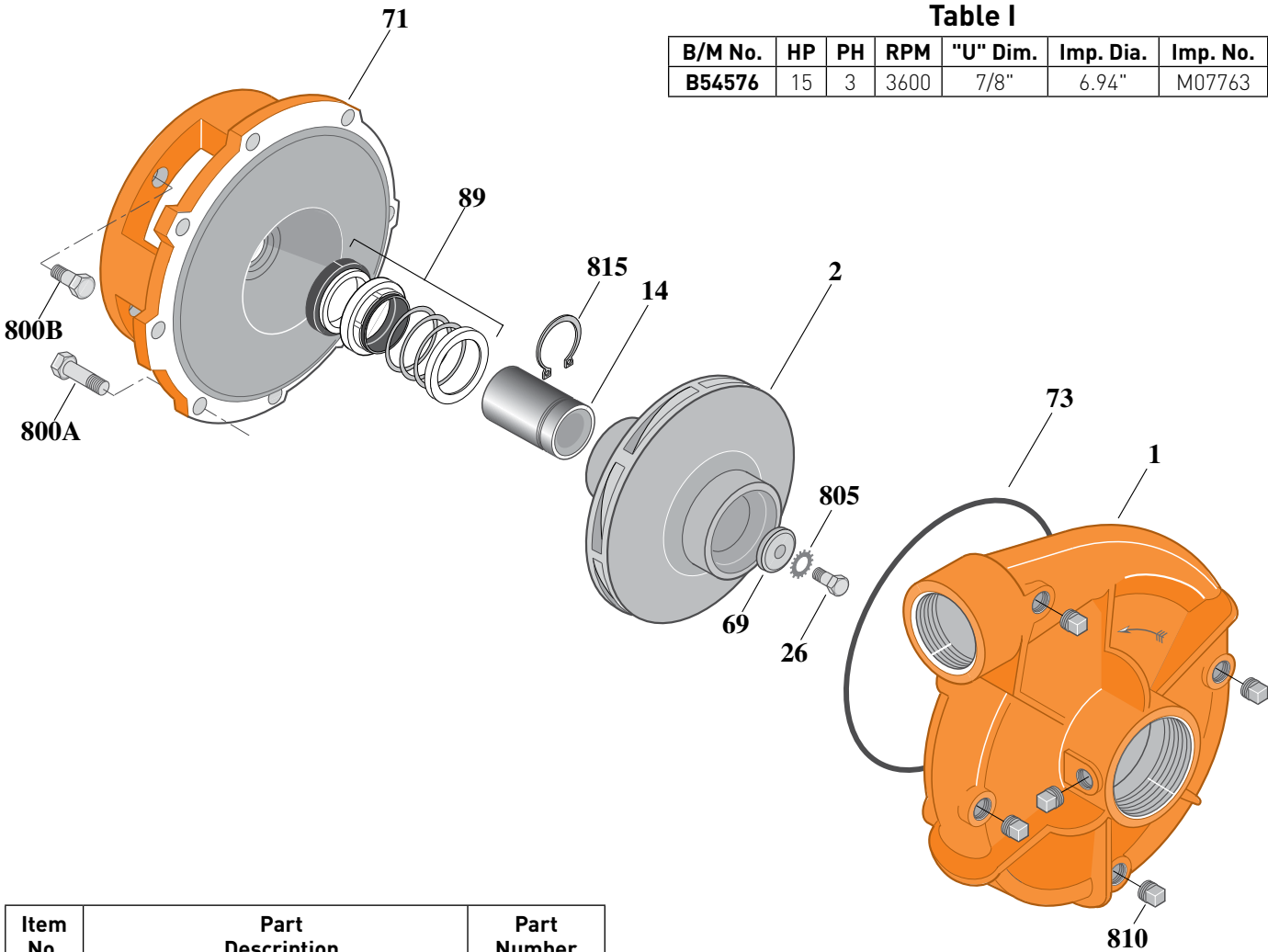
Threaded Case (NPT), Mechanical Shaft Seal Construction

ELECTRIC MOTOR DRIVE

Section	CC
Page	130.2
Date	March 4, 2013
Supersedes 07/01/11	

Table I

B/M No.	HP	PH	RPM	"U" Dim.	Imp. Dia.	Imp. No.
B54576	15	3	3600	7/8"	6.94"	M07763



1497 1210

Item No.	Part Description	Part Number
1	Case, Volute	L01027
2	Impeller	See Table I
14	Sleeve, Shaft	S19310L
26	Screw, Impeller 3/8 - 16 x 1"	S23566
32	Key, 3/16 x 1-1/4" (See Note 1)	S34383
69	Washer, Impeller	S06314
71	Bracket	See Table II
73	O-Ring (See Note 2)	M14943
89	Seal, Mechanical Shaft	S32014
800A	Capscrew, 3/8 - 16 x 7/8" (8 Req.)	S26825
800B	Capscrew, 1/2 - 13 x 1" (4 Req.)	S26912
805	Washer, Lock	S23036
810	Plug, Pipe 1/4 NPT (5 Req.)	S23715
815	Ring, Retaining	S11207

Table II

HP	PH	Bracket No.	"AK" Fit	"U" Dim.	Motor Frame
15	3	L05331	8-1/2"	7/8"	215JM

NOTE 1: For an explanation of the tabulated material found on this page and for impeller key location, refer to **Supplement A** located at the beginning of this section.

NOTE 2: Also accepts gasket **S05126** as replacement for O-Ring. See **Supplement E** located at the beginning of this section.



BERKELEY® B2-1/2ZPLS

Cast Iron Impeller

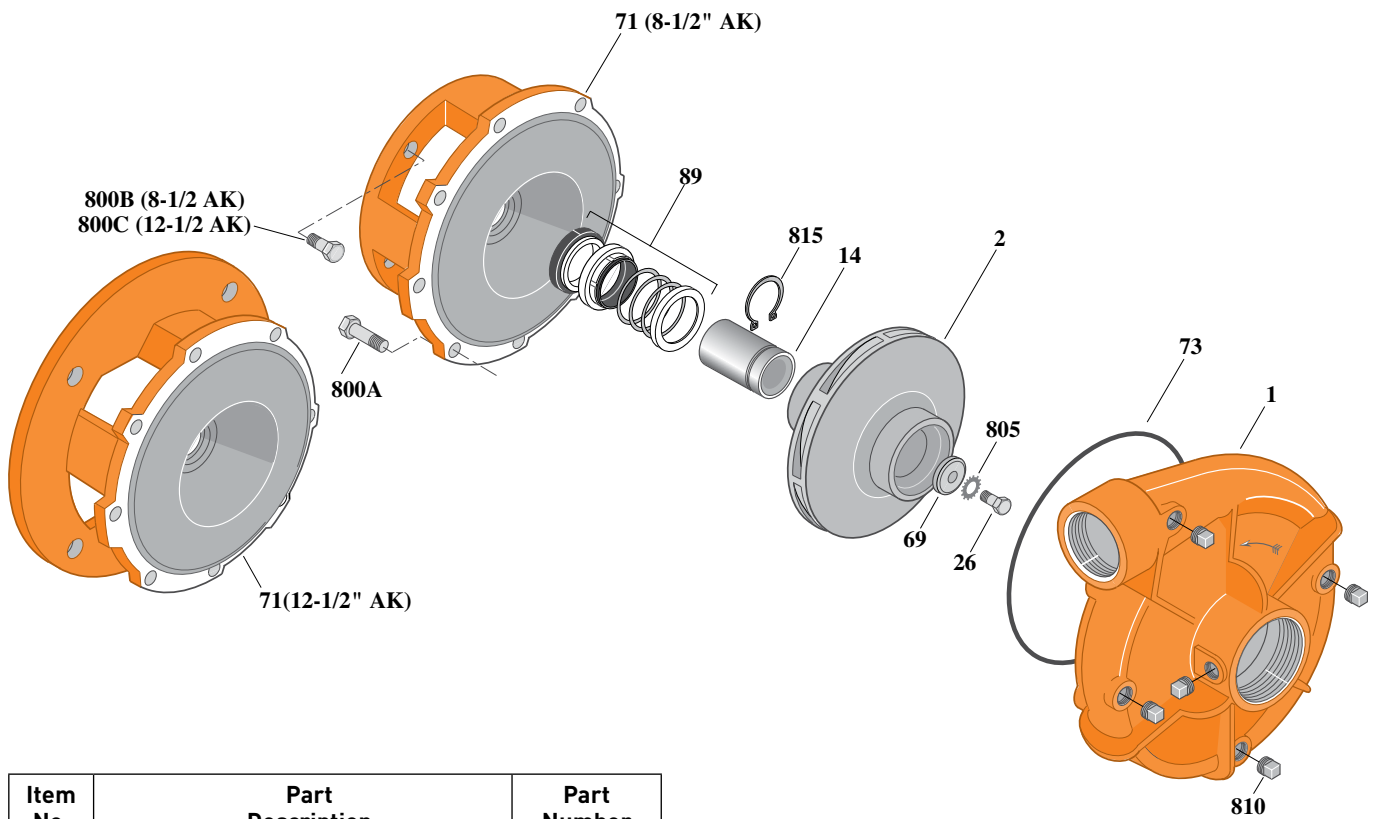
Threaded Case (NPT), Mechanical Shaft Seal Construction

ELECTRIC MOTOR DRIVE

Section	CC
Page	130.3
Date	March 4, 2013
Supersedes 07/01/11	

Table I

B/M No.	HP	PH	RPM	"U" Dim.	Imp. Dia.	Imp. No.
B54092	20	3	3600	1-1/4"	7.69"	M07678
B54093	25	3	3600	1-1/4"	8.44"	M07688
B54094	30	3	3600	1-1/4"	8.88"	M07689



1608 1210

Item No.	Part Description	Part Number
1	Case, Volute	L01027
2	Impeller	See Table I
14	Sleeve, Shaft	S18869L
26	Screw, Impeller 1/2 - 13 x 1"	S23619
32	Key, 1/4 x 2-1/4" [See Note 1]	S23677
69	Washer, Impeller	S06319
71	Bracket	See Table II
73	O-Ring [See Note 2]	M14943
89	Seal, Mechanical Shaft	S32015
800A	Capscrew, 3/8 - 16 x 7/8" [8 Req.]	S26825
800B	Capscrew, 1/2 - 13 x 1" [4 Req.]	S26912
805	Washer, Lock	S23038
810	Plug, Pipe 1/4 NPT [5 Req.]	S23715
815	Ring, Retaining	S16767

Table II

HP	PH	Bracket No.	"AK" Fit	"U" Dim.	Motor Frame
20	3	L04615	8-1/2"	1-1/4"	254JM
25	3	L04615	8-1/2"	1-1/4"	256JM
30	3	L04627	12-1/2"	1-1/4"	284JM

NOTE 1: For an explanation of the tabulated material found on this page and for impeller key location, refer to **Supplement A** located at the beginning of this section.

NOTE 2: Also accepts gasket **S05126** as replacement for O-Ring. See **Supplement E** located at the beginning of this section.



BERKELEY® B2-1/2ZPL

Silicon Bronze Impeller

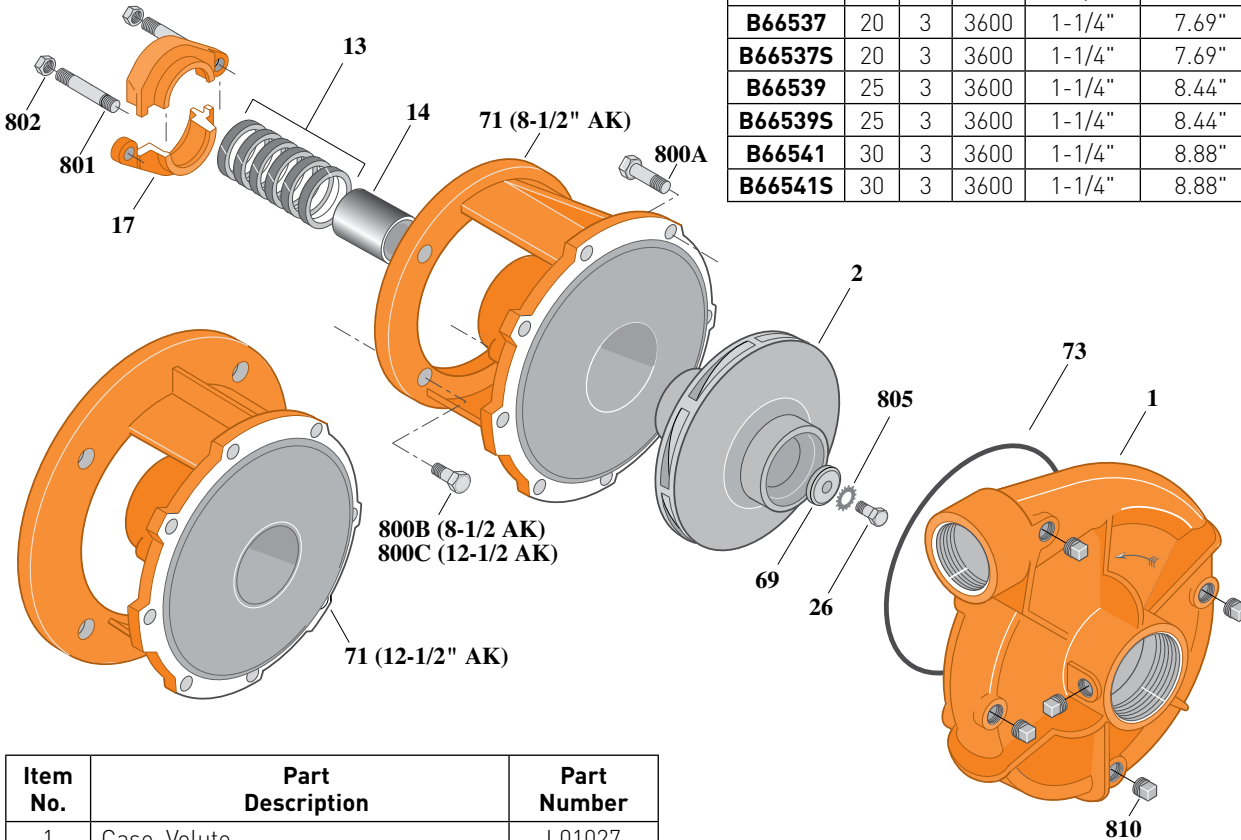
Threaded Case (NPT), Packing Construction

ELECTRIC MOTOR DRIVE

Section	CC
Page	130.4
Date	March 4, 2013
Supersedes 07/01/11	

Table I

B/M No.	HP	PH	RPM	"U" Dim.	Imp. Dia.	Imp. No.
B66536	15	3	3600	1-1/4"	6.94"	L06639
B66536S	15	3	3600	1-1/4"	6.94"	H05469
B66537	20	3	3600	1-1/4"	7.69"	L06640
B66537S	20	3	3600	1-1/4"	7.69"	H05470
B66539	25	3	3600	1-1/4"	8.44"	L06644
B66539S	25	3	3600	1-1/4"	8.44"	H05471
B66541	30	3	3600	1-1/4"	8.88"	L06645
B66541S	30	3	3600	1-1/4"	8.88"	H05472



1744 1210

Item No.	Part Description	Part Number
1	Case, Volute	L01027
2	Impeller	See Table I
13	Rings, Packing (Set of 6)	S13470
14	Sleeve, Shaft	S05149L
17	Gland, Packing	B82470
26	Screw, Impeller 1/2 - 13 x 1"	S23619
32	Key, 1/4 x 2-1/4" [See Note 1]	S23677
69	Washer, Impeller	S06319
71	Bracket	See Table II
73	O-Ring [See Note 2]	M14943
800A	Capscrew, 3/8 - 16 x 7/8" (8 Req.)	S26825
800B	Capscrew, 1/2 - 13 x 1-1/2" (4 Req.)	S26916
800C	Capscrew, 5/8 - 11 x 1-1/2" (4 Req.)	S26999
801	Stud, 3/8 - 16 x 4" (2 Req.)	S08303
802	Nut, Hex 3/8 - 16 (2 Req.)	S23343
805	Washer, Lock	S23038
810	Plug, Pipe 1/4 NPT (5 Req.)	S23715

Table II

HP	PH	Bracket No.	"AK" Fit	"U" Dim.	Motor Frame
15	3	L03827	8-1/2"	1-1/4"	215JP
20	3	L03827	8-1/2"	1-1/4"	254JP
25	3	L03827	8-1/2"	1-1/4"	256JP
30	3	L01563	12-1/2"	1-1/4"	284JP

NOTE 1: For an explanation of the tabulated material found on this page and for impeller key location, refer to **Supplement A** located at the beginning of this section.

NOTE 2: Also accepts gasket **S05126** as replacement for O-Ring. See **Supplement E** located at the beginning of this section.



BERKELEY® B2-1/2ZPLS

Silicon Bronze Impeller

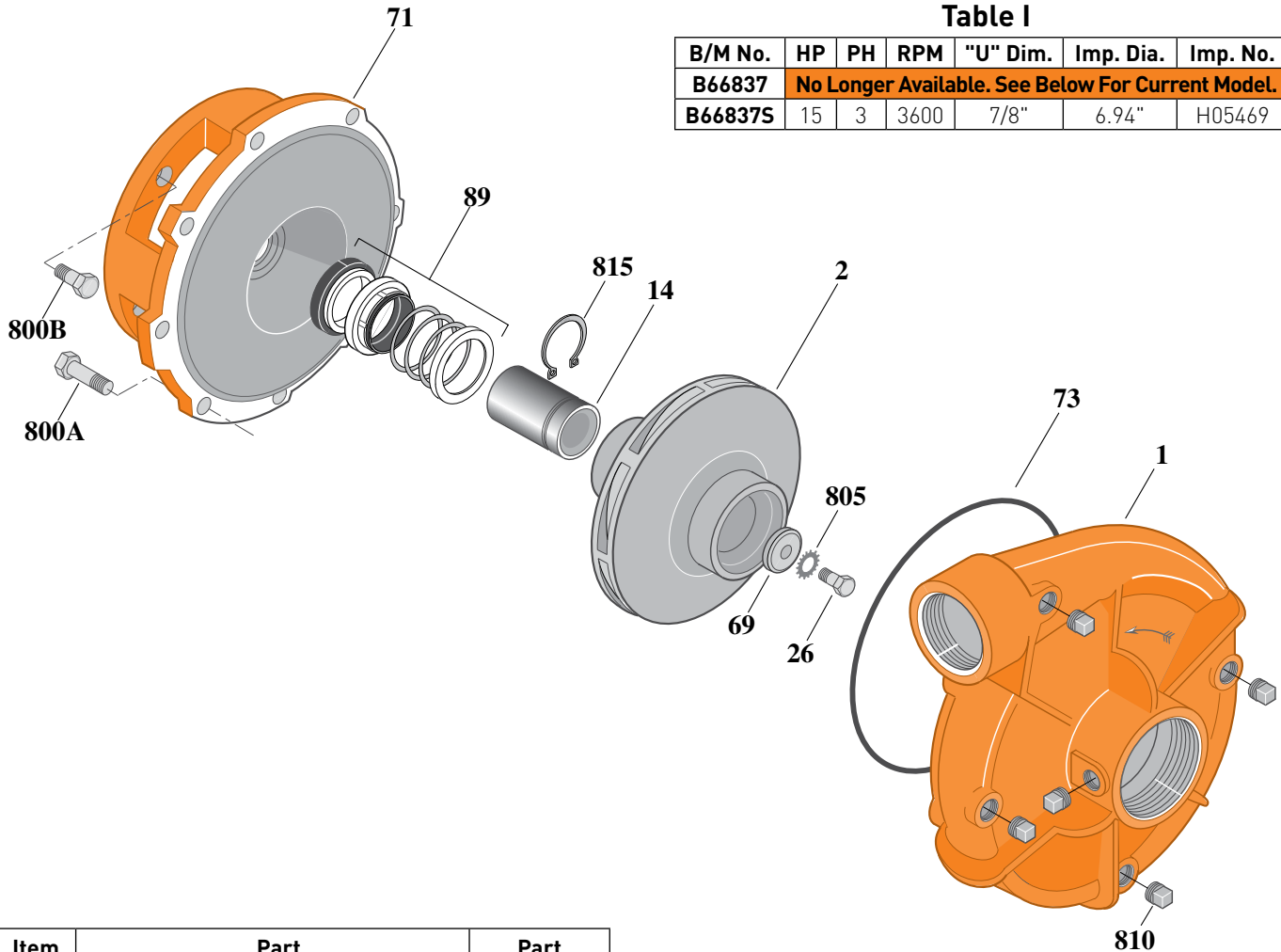
Threaded Case (NPT), Mechanical Shaft Seal Construction

ELECTRIC MOTOR DRIVE

Section	CC
Page	130.5
Date	March 4, 2013
Supersedes 07/01/11	

Table I

B/M No.	HP	PH	RPM	"U" Dim.	Imp. Dia.	Imp. No.
B66837	No Longer Available. See Below For Current Model.					
B66837S	15	3	3600	7/8"	6.94"	H05469



1497 1210

Item No.	Part Description	Part Number
1	Case, Volute	L01027
2	Impeller	See Table I
14	Sleeve, Shaft	S19310L
26	Screw, Impeller 3/8 - 16 x 1"	S23566
32	Key, 3/16 x 1-1/4" (See Note 1)	S34383
69	Washer, Impeller	S06314
71	Bracket	See Table II
73	O-Ring (See Note 2)	M14943
89	Seal, Mechanical Shaft	S32014
800A	Cap screw, 3/8 - 16 x 7/8" (8 Req.)	S26825
800B	Cap screw, 1/2 - 13 x 1" (4 Req.)	S26912
805	Washer, Lock	S23036
810	Plug, Pipe 1/4 NPT (5 Req.)	S23715
815	Ring, Retaining	S11207

Table II

HP	PH	Bracket No.	"AK" Fit	"U" Dim.	Motor Frame
15	3	L05331	8-1/2"	7/8"	215JM

NOTE 1: For an explanation of the tabulated material found on this page and for impeller key location, refer to **Supplement A** located at the beginning of this section.

NOTE 2: Also accepts gasket **S05126** as replacement for O-Ring. See **Supplement E** located at the beginning of this section.



BERKELEY® B2-1/2ZPLS Silicon Bronze Impeller

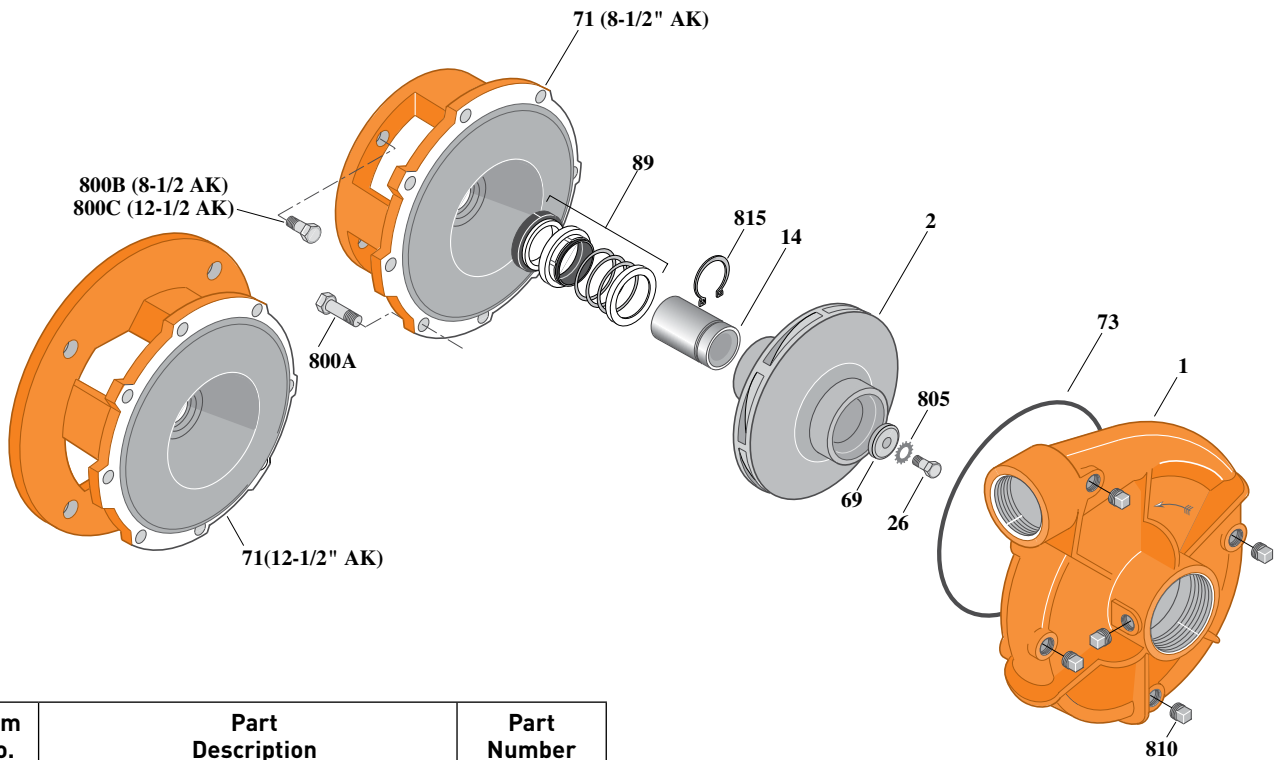
Threaded Case (NPT), Mechanical Shaft Seal Construction

ELECTRIC MOTOR DRIVE

Section	CC
Page	130.6
Date	March 4, 2013
Supersedes 07/01/11	

Table I

B/M No.	HP	PH	RPM	"U" Dim.	Imp. Dia.	Imp. No.
B66538S	20	3	3600	1-1/4"	7.69"	H05470
B66540S	25	3	3600	1-1/4"	8.44"	H05471
B66542S	30	3	3600	1-1/4"	8.88"	H05472
B66538	These B/M Numbers Are No Longer Available. See Above For Current Models					
B66540						
B66542						



1608 1210

Item No.	Part Description	Part Number
1	Case, Volute	L01027
2	Impeller	See Table I
14	Sleeve, Shaft	S18869L
26	Screw, Impeller 1/2 - 13 x 1"	S23619
32	Key, 1/4 x 2-1/4" [See Note 1]	S23677
69	Washer, Impeller	S06319
71	Bracket	See Table II
73	O-Ring [See Note 2]	M14943
89	Seal, Mechanical Shaft	S32015
800A	Capscrew, 3/8 - 16 x 7/8" [8 Req.]	S26825
800B	Capscrew, 1/2 - 13 x 1" [4 Req.]	S26912
805	Washer, Lock	S23038
810	Plug, Pipe 1/4 NPT [5 Req.]	S23715
815	Ring, Retaining	S16767

Table II

HP	PH	Bracket No.	"AK" Fit	"U" Dim.	Motor Frame
20	3	L04615	8-1/2"	1-1/4"	254JM
25	3	L04615	8-1/2"	1-1/4"	256JM
30	3	L04627	12-1/2"	1-1/4"	284JM

NOTE 1: For an explanation of the tabulated material found on this page and for impeller key location, refer to **Supplement A** located at the beginning of this section.

NOTE 2: Also accepts gasket **S05126** as replacement for O-Ring. See **Supplement E** located at the beginning of this section.



BERKELEY® B2-1/2ZPL

Silicon Bronze Impeller

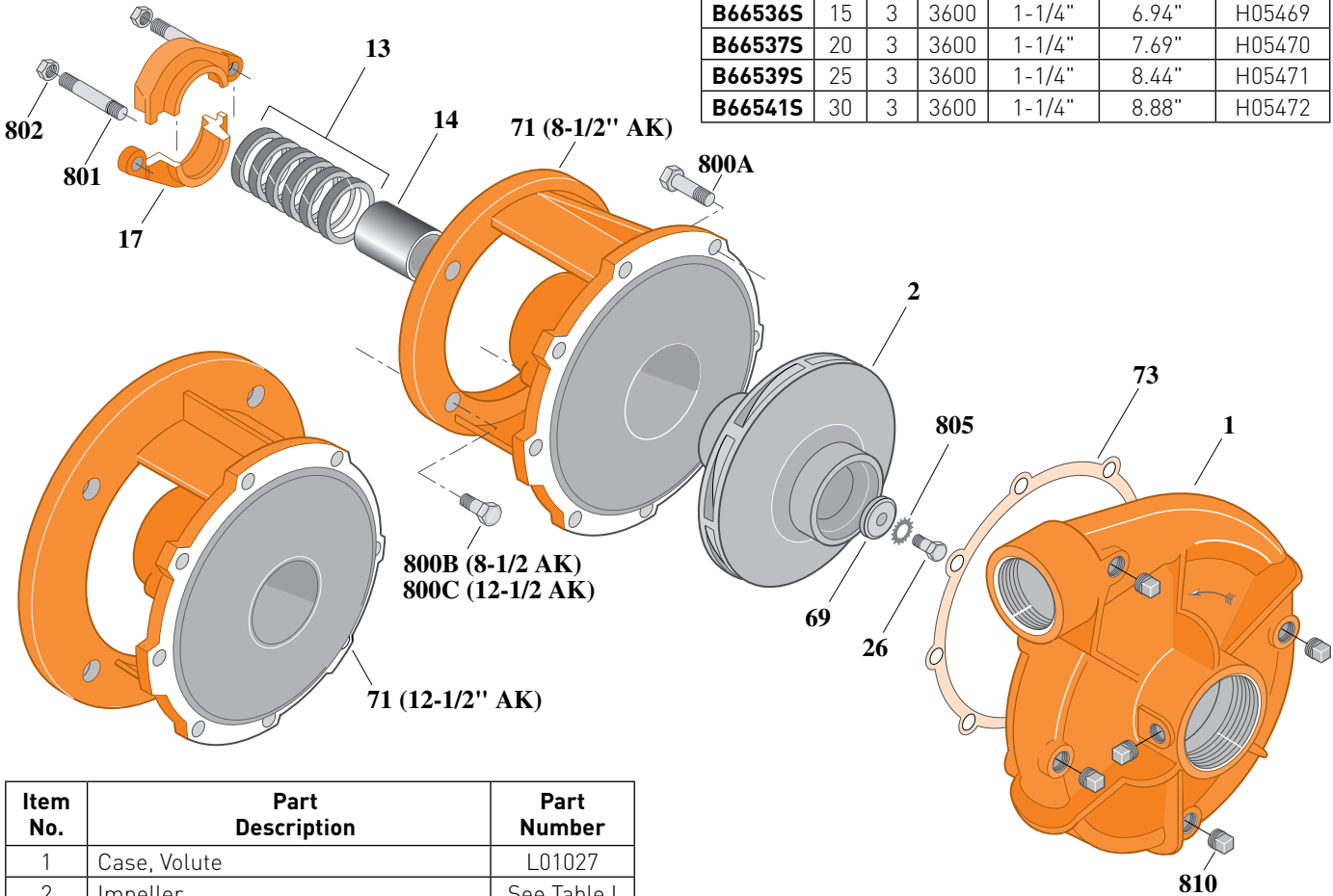
Threaded Case (NPT), Packing Construction

ELECTRIC MOTOR DRIVE

Section	CC
Page	130.7
Date	March 4, 2013
Supersedes 09/01/97	

Table I

B/M No.	HP	PH	RPM	"U" Dim.	Imp. Dia.	Imp. No.
B66536S	15	3	3600	1-1/4"	6.94"	H05469
B66537S	20	3	3600	1-1/4"	7.69"	H05470
B66539S	25	3	3600	1-1/4"	8.44"	H05471
B66541S	30	3	3600	1-1/4"	8.88"	H05472



1744 0495

Item No.	Part Description	Part Number
1	Case, Volute	L01027
2	Impeller	See Table I
13	Rings, Packing (Set of 6)	S13470
14	Sleeve, Shaft	S05149
17	Gland, Packing	S12034
26	Screw, Impeller 1/2 - 13 x 1"	S23619
32	Key, 1/4 x 2-1/4" (See Note)	S23677
69	Washer, Impeller	S06319
71	Bracket	See Table II
73	Gasket, Volute	S05126
800A	Capscrew, 3/8 - 16 x 7/8" (8 Req.)	S26825
800B	Capscrew, 1/2 - 13 x 1-1/2" (4 Req.)	S26916
800C	Capscrew, 5/8 - 11 x 1-1/2" (4 Req.)	S26999
801	Stud, 3/8 - 16 x 4" (2 Req.)	S08303
802	Nut, Hex 3/8 - 16 (2 Req.)	S23343
805	Washer, Lock	S23038
810	Plug, Pipe 1/4" NPT (5 Req.)	S23715

Table II

HP	PH	Bracket No.	"AK" Fit	"U" Dim.	Motor Frame
15	3	L03827	8-1/2"	1-1/4"	215JP
20	3	L03827	8-1/2"	1-1/4"	254JP
25	3	L03827	8-1/2"	1-1/4"	256JP
30	3	L01563	12-1/2"	1-1/4"	284JP

NOTE: For an explanation of the tabulated material found on this page and for impeller key location, refer to **Supplement A** located at the beginning of this section.



BERKELEY® B2-1/2ZPLS

Silicon Bronze Impeller

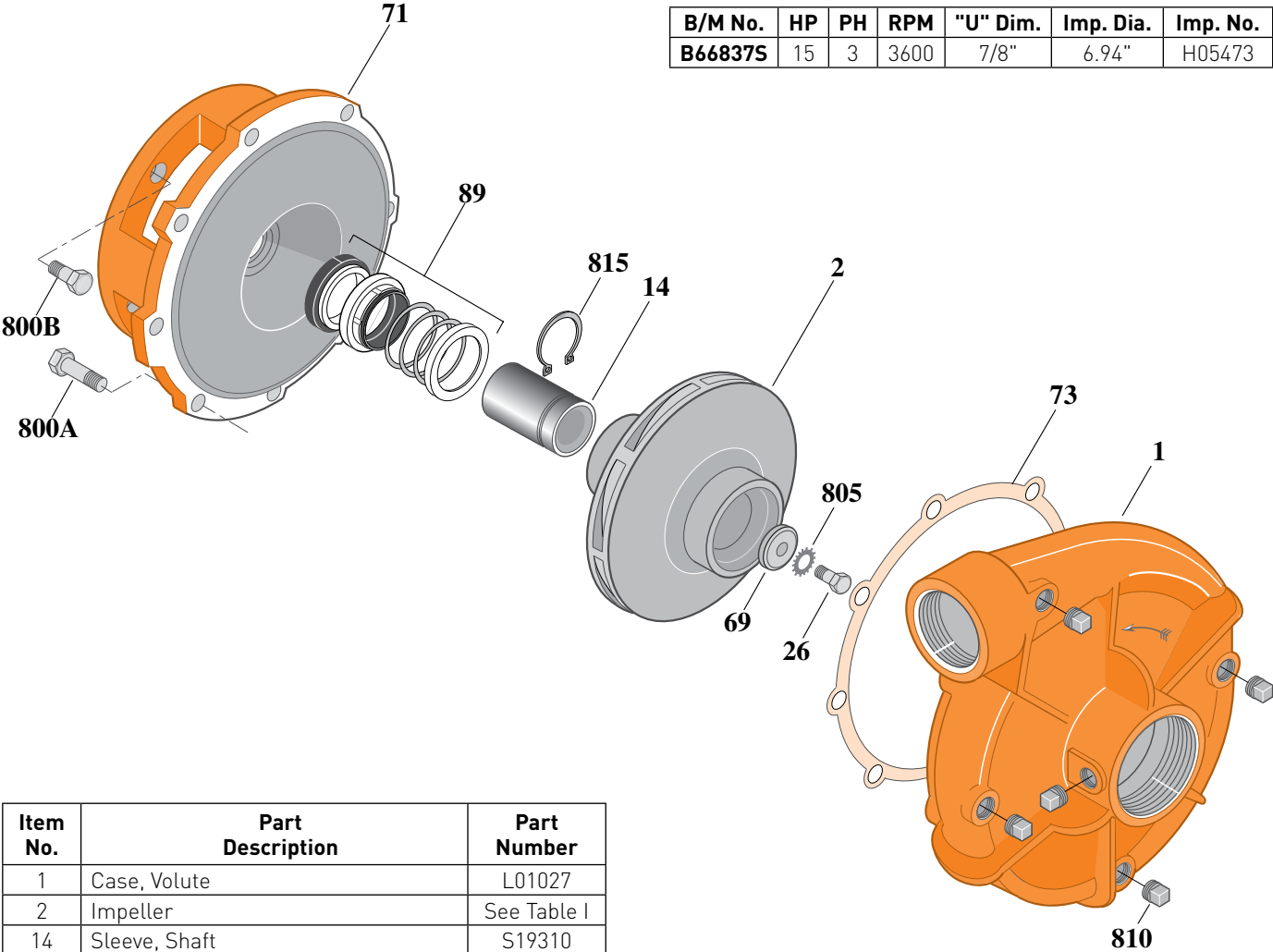
Threaded Case (NPT), Mechanical Shaft Seal Construction

ELECTRIC MOTOR DRIVE

Section	CC
Page	130.8
Date	March 4, 2013
Supersedes 09/01/97	

Table I

B/M No.	HP	PH	RPM	"U" Dim.	Imp. Dia.	Imp. No.
B66837S	15	3	3600	7/8"	6.94"	H05473



1497 0195

Item No.	Part Description	Part Number
1	Case, Volute	L01027
2	Impeller	See Table I
14	Sleeve, Shaft	S19310
26	Screw, Impeller 3/8 - 16 x 1"	S23566
32	Key, 3/16 x 1-1/4" [See Note]	S34383
69	Washer, Impeller	S06314
71	Bracket	See Table II
73	Gasket, Volute	S05126
89	Seal, Mechanical Shaft	S32014
800A	Capscrew, 3/8 - 16 x 7/8" (8 Req.)	S26825
800B	Capscrew, 1/2 - 13 x 1" (4 Req.)	S26912
805	Washer, Lock	S23036
810	Plug, Pipe 1/4" NPT (5 Req.)	S23715
815	Ring, Retaining	S11207
•	Plug, Pipe 1/8" NPT (In Bracket)	S23714

• Not illustrated.

Table II

HP	PH	Bracket No.	"AK" Fit	"U" Dim.	Motor Frame
15	3	L05331	8-1/2"	7/8"	215JM

NOTE 1: For an explanation of the tabulated material found on this page and for impeller key location, refer to **Supplement A** located at the beginning of this section.

NOTE 2: For seal flush line details, see **Supplement D**.



BERKELEY® B2-1/2ZPLS

Bronze Impeller

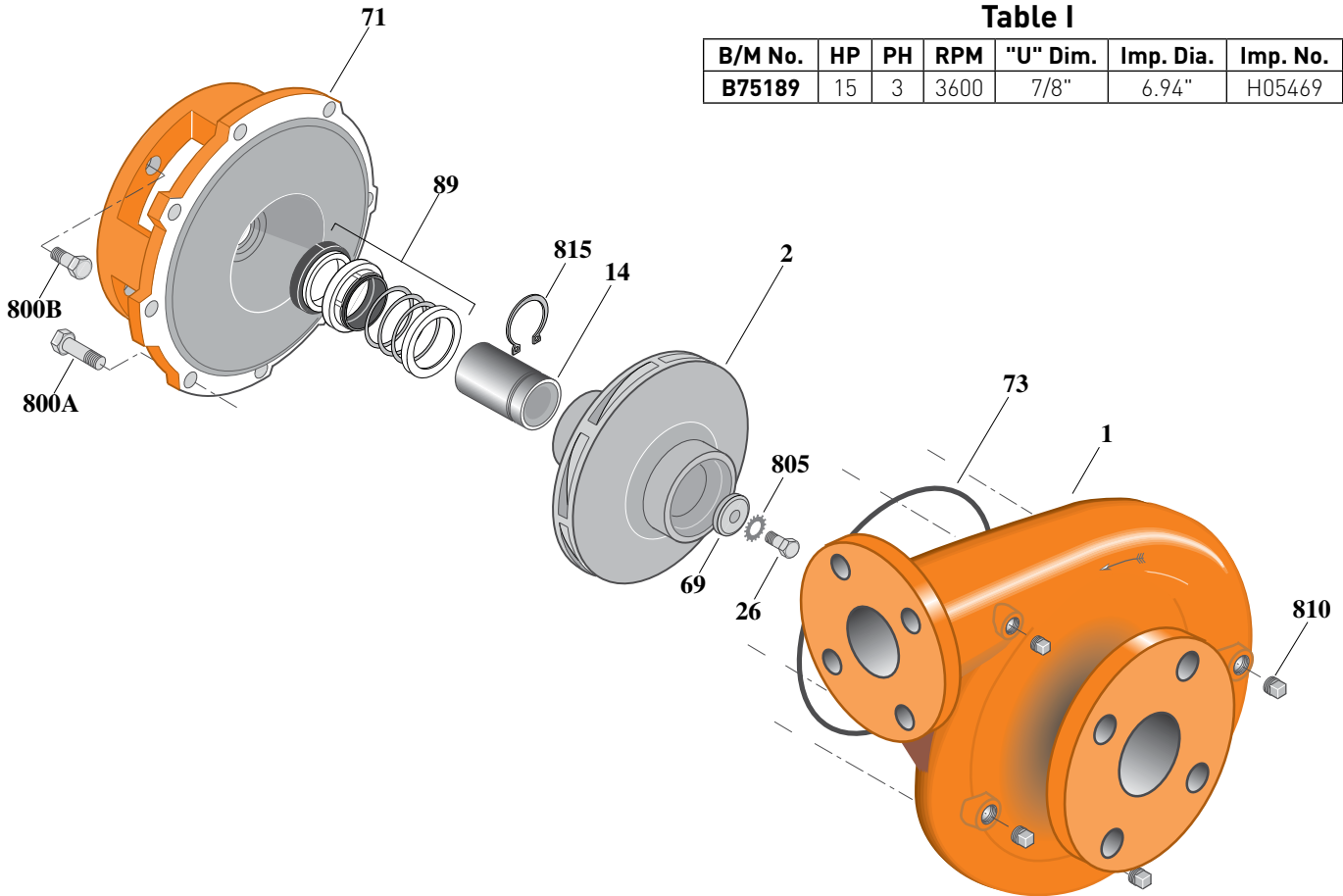
Flanged Case, Mechanical Shaft Seal Construction

ELECTRIC MOTOR DRIVE

Section	CC
Page	130.9
Date	March 4, 2013
Supersedes 071/01/11	

Table I

B/M No.	HP	PH	RPM	"U" Dim.	Imp. Dia.	Imp. No.
B75189	15	3	3600	7/8"	6.94"	H05469



1497 1210 FL

Item No.	Part Description	Part Number
1	Case, Volute	L01027
2	Impeller	See Table I
14	Sleeve, Shaft	S19310L
26	Screw, Impeller 3/8 - 16 x 1"	S23566
32	Key, 3/16 x 1-1/4" [See Note 1]	S34383
69	Washer, Impeller	S06314
71	Bracket	See Table II
73	O-Ring [See Note 2]	M14943
89	Seal, Mechanical Shaft	S32014
800A	Cap screw, 3/8 - 16 x 7/8" (8 Req.)	S26825
800B	Cap screw, 1/2 - 13 x 1" (4 Req.)	S26912
805	Washer, Lock	S23036
810	Plug, Pipe 1/4 NPT (5 Req.)	S23715
815	Ring, Retaining	S11207

Table II

HP	PH	Bracket No.	"AK" Fit	"U" Dim.	Motor Frame
15	3	L05331	8-1/2"	7/8"	215JM

NOTE 1: For an explanation of the tabulated material found on this page and for impeller key location, refer to **Supplement A** located at the beginning of this section.

NOTE 2: Also accepts gasket **S05126** as replacement for O-Ring. See **Supplement E** located at the beginning of this section.



BERKELEY® B2-1/2ZPLS

Bronze Impeller

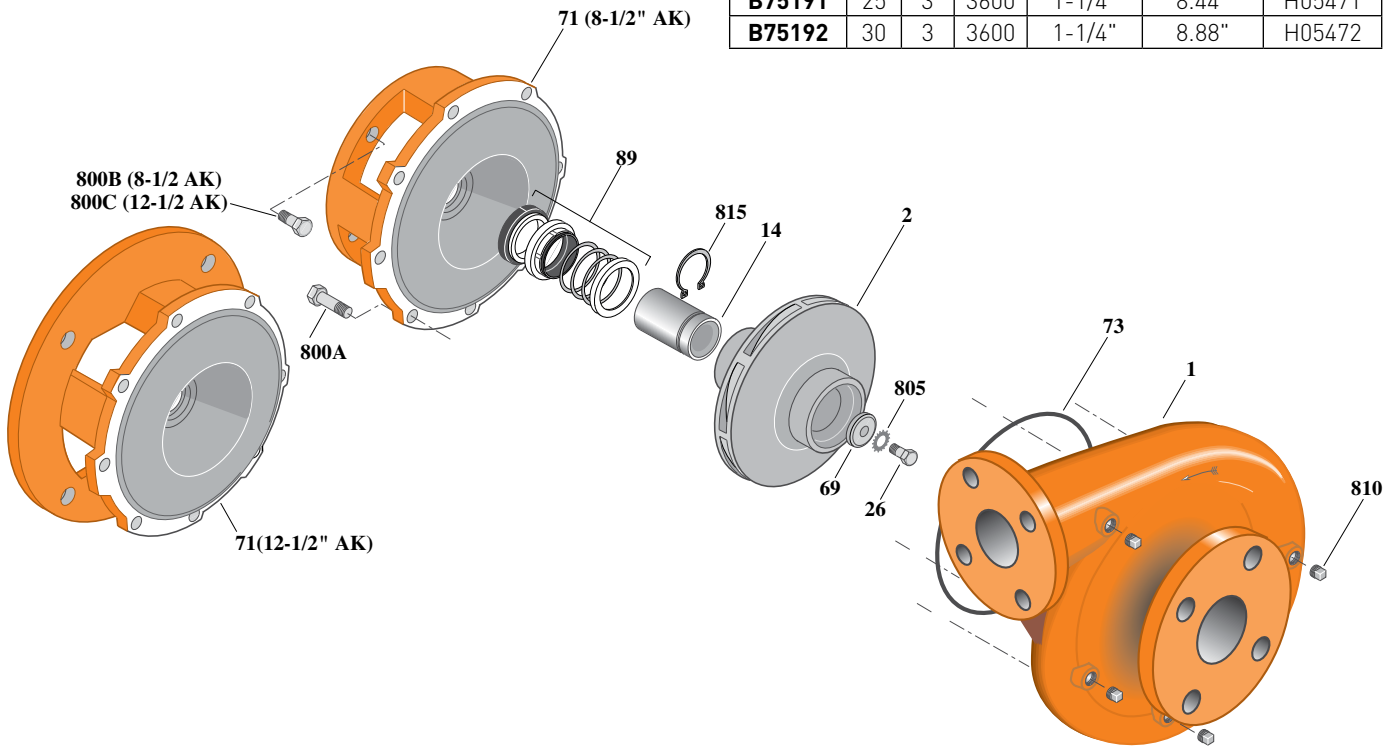
Flanged Case, Mechanical Shaft Seal Construction

ELECTRIC MOTOR DRIVE

Section	CC
Page	130.10
Date	March 4, 2013
Supersedes 07/01/11	

Table I

B/M No.	HP	PH	RPM	"U" Dim.	Imp. Dia.	Imp. No.
B75190	20	3	3600	1-1/4"	7.69"	H05470
B75191	25	3	3600	1-1/4"	8.44"	H05471
B75192	30	3	3600	1-1/4"	8.88"	H05472



1608 1210 FL

Item No.	Part Description	Part Number
1	Case, Volute	L01027
2	Impeller	See Table I
14	Sleeve, Shaft	S18869L
26	Screw, Impeller 1/2 - 13 x 1"	S23619
32	Key, 1/4 x 2-1/4" [See Note 1]	S23677
69	Washer, Impeller	S06319
71	Bracket	See Table II
73	O-Ring [See Note 2]	M14943
89	Seal, Mechanical Shaft	S32015
800A	Capscrew, 3/8 - 16 x 7/8" [8 Req.]	S26825
800B	Capscrew, 1/2 - 13 x 1" [4 Req.]	S26912
805	Washer, Lock	S23038
810	Plug, Pipe 1/4 NPT [5 Req.]	S23715
815	Ring, Retaining	S16767

Table II

HP	PH	Bracket No.	"AK" Fit	"U" Dim.	Motor Frame
20	3	L04615	8-1/2"	1-1/4"	254JM
25	3	L04615	8-1/2"	1-1/4"	256JM
30	3	L04627	12-1/2"	1-1/4"	284JM

NOTE 1: For an explanation of the tabulated material found on this page and for impeller key location, refer to **Supplement A** located at the beginning of this section.

NOTE 2: Also accepts gasket **S05126** as replacement for O-Ring. See **Supplement E** located at the beginning of this section.



BERKELEY® B2-1/2ZPM

Cast Iron Impeller

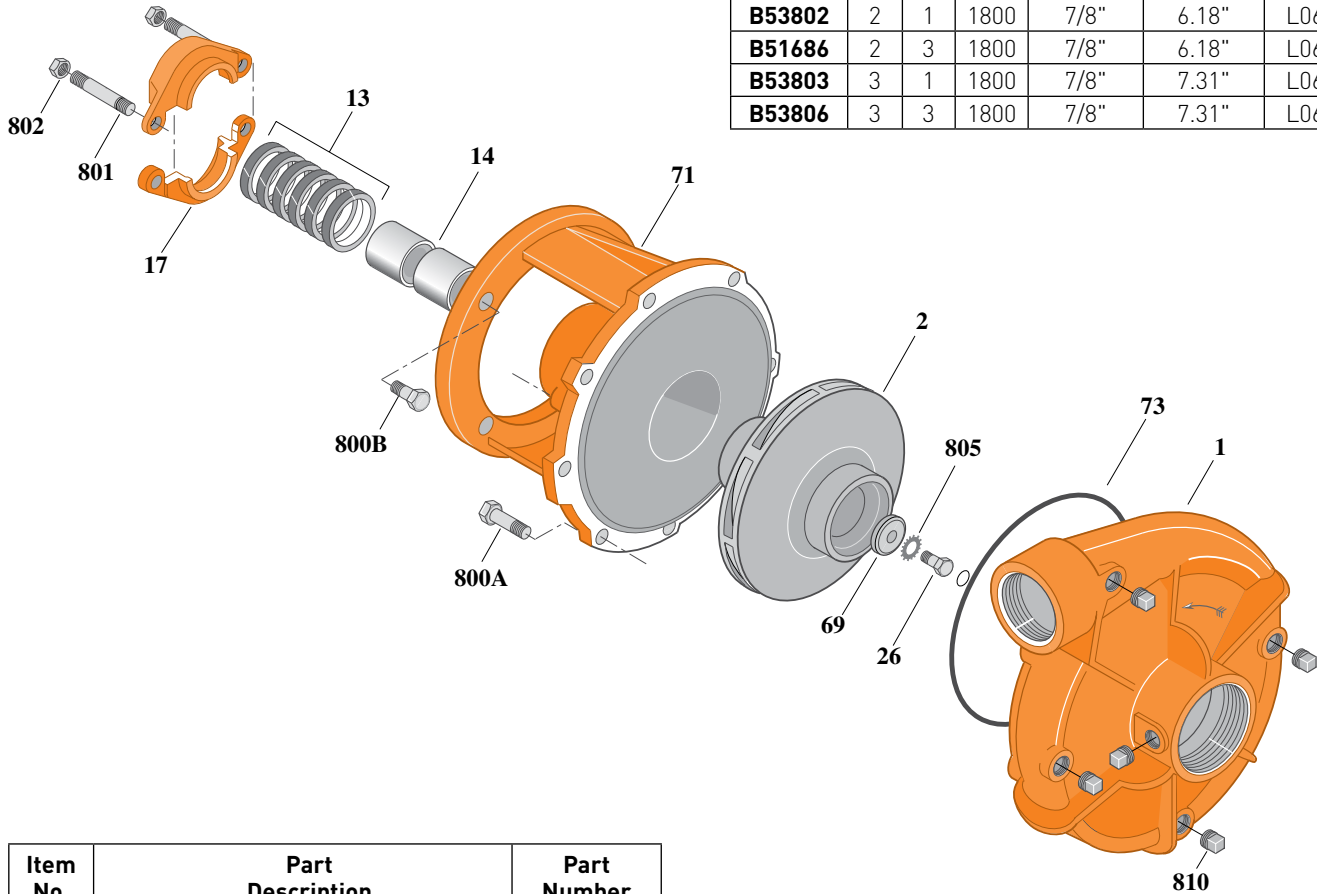
Threaded Case (NPT), Packing Construction

ELECTRIC MOTOR DRIVE

Section	CC
Page	140.1
Date	March 4, 2013
Supersedes 07/01/11	

Table I

B/M No.	HP	PH	RPM	"U" Dim.	Imp. Dia.	Imp. No.
B53802	2	1	1800	7/8"	6.18"	L06124
B51686	2	3	1800	7/8"	6.18"	L06124
B53803	3	1	1800	7/8"	7.31"	L06125
B53806	3	3	1800	7/8"	7.31"	L06125



1745A 1210

Item No.	Part Description	Part Number
1	Case, Volute	L01027
2	Impeller	See Table I
13	Rings, Packing [Set of 7]	S15094
14	Sleeve, Shaft [2 Req.]	S00619L
17	Gland, Packing	B82469
26	Screw, Impeller 3/8 - 16 x 1"	S23566
32	Key, 3/16 x 1-1/4" [See Note 1]	S34383
69	Washer, Impeller	S06314
71	Bracket	See Table II
73	O-Ring [See Note 2]	M14943
800A	Capscrew, 3/8 - 16 x 7/8" [8 Req.]	S26825
800B	Capscrew, 3/8 - 16 x 1" [4 Req.]	S26826
801	Stud, 3/8 - 16 x 3" [2 Req.]	S04439
802	Nut, Hex 3/8 - 16 [2 Req.]	S23343
805	Washer, Lock	S23036
810	Plug, Pipe 1/4 NPT [5 Req.]	S23715

Table II

HP	PH	Bracket No.	"AK" Fit	"U" Dim.	Motor Frame
2	1	H00950	4-1/2"	7/8"	182JP
2	3	H00950	4-1/2"	7/8"	145JP
3	1	H00950	4-1/2"	7/8"	184JP
3	3	H00950	4-1/2"	7/8"	182JP

NOTE 1: For an explanation of the tabulated material found on this page and for impeller key location, refer to **Supplement A** located at the beginning of this section.

NOTE 2: Also accepts gasket **S05126** as replacement for O-Ring. See **Supplement E** located at the beginning of this section.



BERKELEY® B2-1/2ZPM

Cast Iron Impeller

Threaded Case (NPT), Packing Construction

ELECTRIC MOTOR DRIVE

Section	CC
Page	140.2
Date	March 4, 2013
Supersedes 07/01/11	

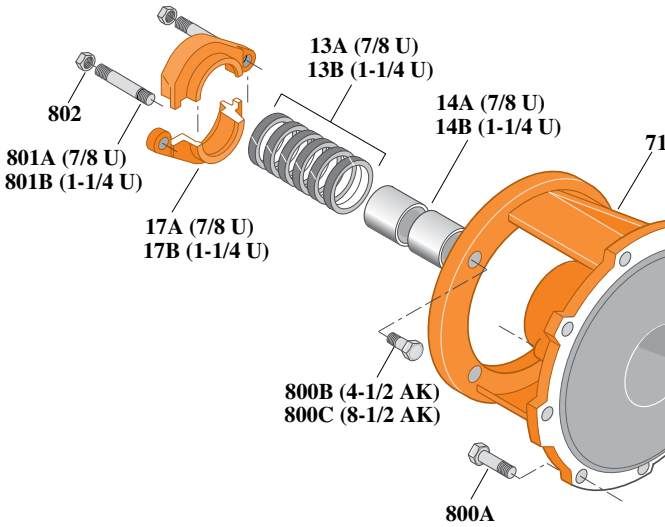
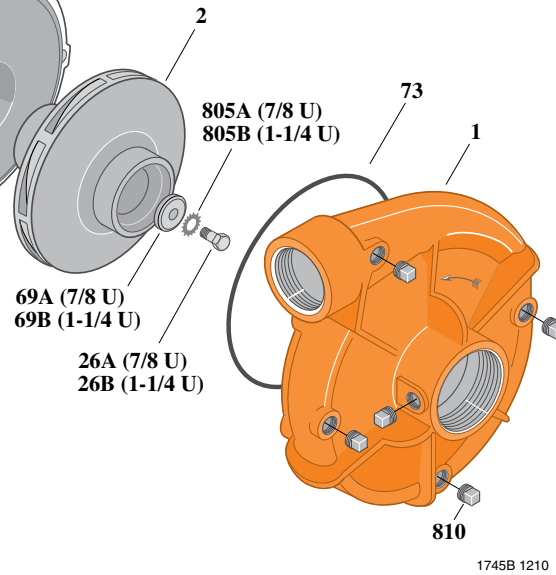


Table I

B/M No.	HP	PH	RPM	"U" Dim.	Imp. Dia.	Imp. No.
B53804	5	1	1800	1-1/4"	8.38"	L06127
B53807	5	3	1800	7/8"	8.38"	L06126
B53805	7.5	1	1800	1-1/4"	9.00"	L05120
B53808	7.5	3	1800	1-1/4"	9.00"	L05120



1745B 1210

Item No.	Part Description	Part Number
1	Case, Volute	L01027
2	Impeller	See Table I
13A	Rings, Packing [Set of 7]	S15094
13B	Rings, Packing [Set of 6]	S13470
14A	Sleeve, Shaft [2 Req.]	S00619L
14B	Sleeve, Shaft	S05149L
17A	Gland, Packing	B82469
17B	Gland, Packing	B82470
26A	Screw, Impeller 3/8 - 16 x 1"	S23566
26B	Screw, Impeller 1/2 - 13 x 1-1/2"	S23623
32A	Key, 3/16 x 1-1/4" [See Note 1]	S34383
32B	Key, 1/4 x 2-1/4" [See Note 1]	S23677
69A	Washer, Impeller	S06314
69B	Washer, Impeller	S06319
71	Bracket	See Table II
73	O-Ring [See Note 2]	M14943
800A	Capscrew, 3/8 - 16 x 7/8" [8 Req.]	S26825
800B	Capscrew, 3/8 - 16 x 1" [4 Req.]	S26826
800C	Capscrew, 1/2 - 13 x 1-1/2" [4 Req.]	S26916
801A	Stud, 3/8 - 16 x 3" [2 Req.]	S04439
801B	Stud, 3/8 - 16 x 4" [2 Req.]	S08303
802	Nut, Hex 3/8 - 16 [2 Req.]	S23343
805A	Washer, Lock	S23036
805B	Washer, Lock	S23038
810	Plug, Pipe 1/4 NPT [5 Req.]	S23715

Table II

HP	PH	Bracket No.	"AK" Fit	"U" Dim.	Motor Frame
5	1	L03827	8-1/2"	1-1/4"	213JP
5	3	H00950	4-1/2"	7/8"	184JP
7.5	1	L03827	8-1/2"	1-1/4"	215JP
7.5	3	L03827	8-1/2"	1-1/4"	213JP

NOTE 1: For an explanation of the tabulated material found on this page and for impeller key location, refer to **Supplement A** located at the beginning of this section.

NOTE 2: Also accepts gasket **S05126** as replacement for O-Ring. See **Supplement E** located at the beginning of this section.



BERKELEY® B2-1/2ZPMS

ELECTRIC MOTOR DRIVE

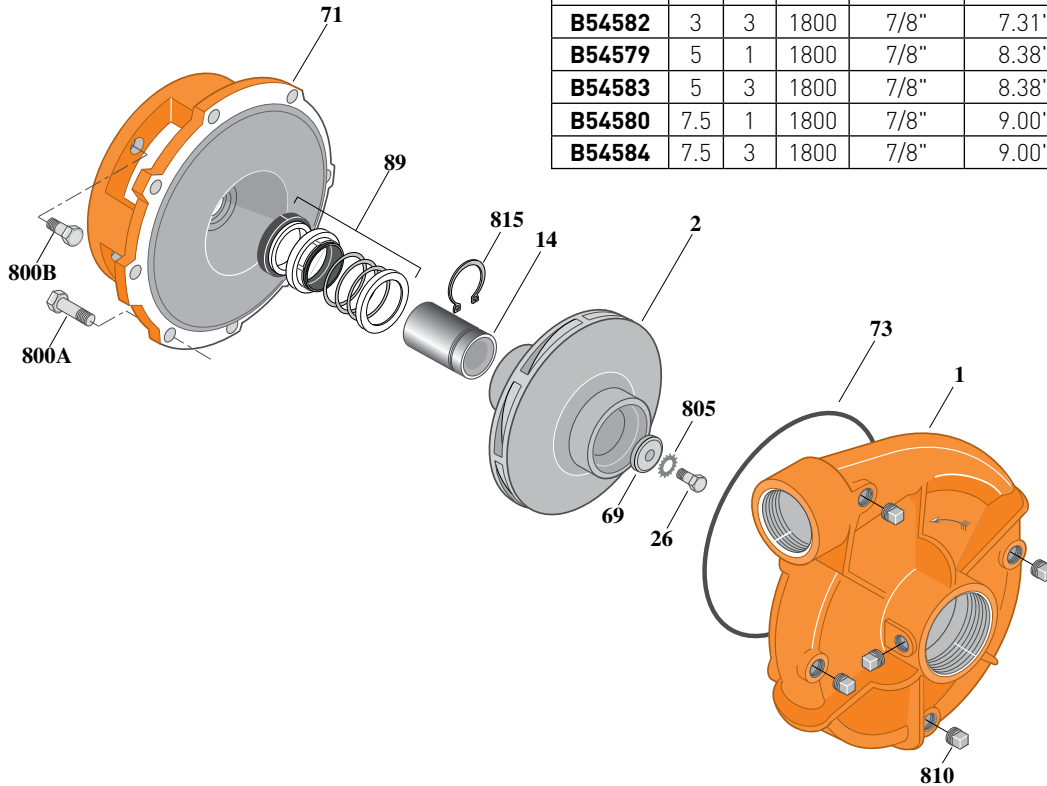
Cast Iron Impeller

Threaded Case (NPT), Mechanical Shaft Seal Construction

Section	CC
Page	140.3
Date	March 4, 2013
Supersedes 07/01/11	

Table I

B/M No.	HP	PH	RPM	"U" Dim.	Imp. Dia.	Imp. No.
B54577	2	1	1800	7/8"	6.18"	L06124
B54581	2	3	1800	7/8"	6.18"	L06124
B54578	3	1	1800	7/8"	7.31"	L06125
B54582	3	3	1800	7/8"	7.31"	L06125
B54579	5	1	1800	7/8"	8.38"	L06126
B54583	5	3	1800	7/8"	8.38"	L06126
B54580	7.5	1	1800	7/8"	9.00"	L01218
B54584	7.5	3	1800	7/8"	9.00"	L01218



Item No.	Part Description	Part Number
1	Case, Volute	L01027
2	Impeller	See Table I
14	Sleeve, Shaft	S19310L
26	Screw, Impeller 3/8 - 16 x 1"	S23566
32	Key, 3/16 x 1-1/4" (See Note 1)	S34383
69	Washer, Impeller	S06314
71	Bracket	See Table II
73	O-Ring (See Note 2)	M14943
89	Seal, Mechanical Shaft	S32014
800A	Capscrew, 3/8 - 16 x 7/8" (8 Req.)	S26825
800B	Capscrew, 3/8 - 16 x 1" (4 Req.)	S26826
805	Washer, Lock	S23036
810	Plug, Pipe 1/4 NPT (5 Req.)	S23715
815	Ring, Retaining	S11207

Table II

HP	PH	Bracket No.	"AK" Fit	"U" Dim.	Motor Frame
2	1	L05332	4-1/2"	7/8"	182JM
2	3	L05332	4-1/2"	7/8"	145JM
3	1	L05332	4-1/2"	7/8"	184JM
3	3	L05332	4-1/2"	7/8"	182JM
5	1	L05331	8-1/2"	7/8"	213JM
5	3	L05332	4-1/2"	7/8"	184JM
7.5	1	L05331	8-1/2"	7/8"	215JM
7.5	3	L05331	8-1/2"	7/8"	213JM

NOTE 1: For an explanation of the tabulated material found on this page and for impeller key location, refer to **Supplement A** located at the beginning of this section.

NOTE 2: Also accepts gasket **S05126** as replacement for O-Ring. See **Supplement E** located at the beginning of this section.



BERKELEY® B2-1/2ZPM

Silicon Bronze Impeller

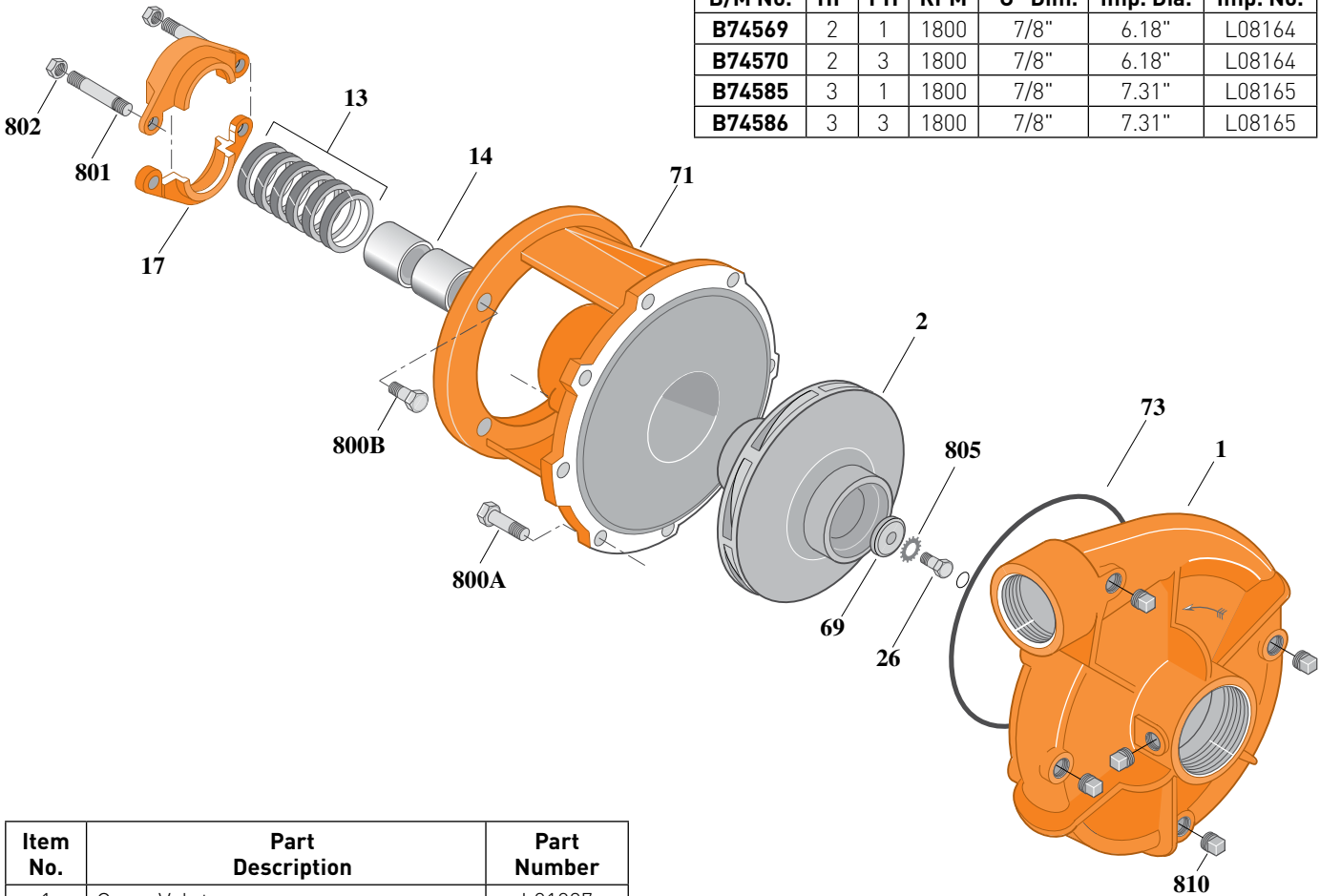
Threaded Case (NPT), Packing Construction

ELECTRIC MOTOR DRIVE

Section	CC
Page	140.4
Date	March 4, 2013
Supersedes 07/01/11	

Table I

B/M No.	HP	PH	RPM	"U" Dim.	Imp. Dia.	Imp. No.
B74569	2	1	1800	7/8"	6.18"	L08164
B74570	2	3	1800	7/8"	6.18"	L08164
B74585	3	1	1800	7/8"	7.31"	L08165
B74586	3	3	1800	7/8"	7.31"	L08165



1745A 1210

Item No.	Part Description	Part Number
1	Case, Volute	L01027
2	Impeller	See Table I
13	Rings, Packing (Set of 7)	S15094
14	Sleeve, Shaft (2 Req.)	S00619L
17	Gland, Packing	B82469
26	Screw, Impeller 3/8 - 16 x 1"	S23566
32	Key, 3/16 x 1-1/4" (See Note 1)	S34383
69	Washer, Impeller	S06314
71	Bracket	See Table II
73	O-Ring (See Note 2)	M14943
800A	Capscrew, 3/8 - 16 x 7/8" (8 Req.)	S26825
800B	Capscrew, 3/8 - 16 x 1" (4 Req.)	S26826
801	Stud, 3/8 - 16 x 3" (2 Req.)	S04439
802	Nut, Hex 3/8 - 16 (2 Req.)	S23343
805	Washer, Lock	S23036
810	Plug, Pipe 1/4" NPT (5 Req.)	S23715

Table II

HP	PH	Bracket No.	"AK" Fit	"U" Dim.	Motor Frame
2	1	H00950	4-1/2"	7/8"	182JP
2	3	H00950	4-1/2"	7/8"	145JP
3	1	H00950	4-1/2"	7/8"	184JP
3	3	H00950	4-1/2"	7/8"	182JP

NOTE 1: For an explanation of the tabulated material found on this page and for impeller key location, refer to **Supplement A** located at the beginning of this section.

NOTE 2: Also accepts gasket **S05126** as replacement for O-Ring. See **Supplement E** located at the beginning of this section.



BERKELEY® B2-1/2ZPM

Silicon Bronze Impeller

Threaded Case (NPT), Packing Construction

ELECTRIC MOTOR DRIVE

Section	CC
Page	140.5
Date	March 4, 2013
Supersedes 07/01/11	

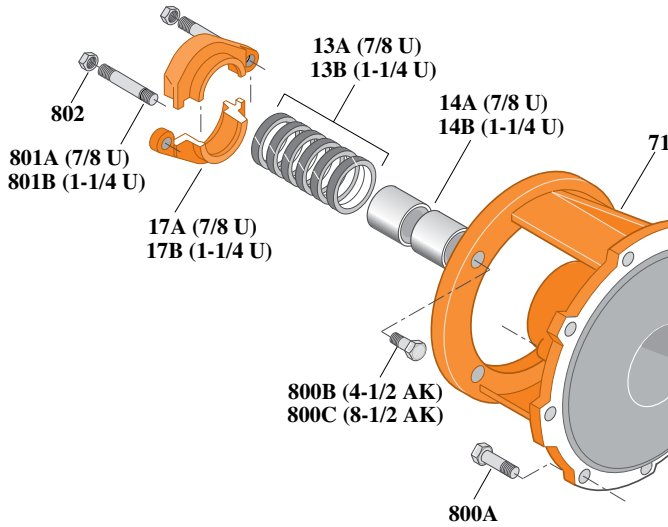


Table I

B/M No.	HP	PH	RPM	"U" Dim.	Imp. Dia.	Imp. No.
B74600	5	1	1800	1-1/4"	8.38"	L08191
B74604	5	3	1800	7/8"	8.38"	L08166
B74622	7.5	1	1800	1-1/4"	9.00"	L08190
B74623	7.5	3	1800	1-1/4"	9.00"	L08190

Item No.	Part Description	Part Number
1	Case, Volute	L01027
2	Impeller	See Table I
13A	Rings, Packing [Set of 7]	S15094
13B	Rings, Packing [Set of 6]	S13470
14A	Sleeve, Shaft [2 Req.]	S00619L
14B	Sleeve, Shaft	S05149L
17A	Gland, Packing	B82469
17B	Gland, Packing	B82470
26A	Screw, Impeller 3/8 - 16 x 1"	S23566
26B	Screw, Impeller 1/2 - 13 x 1-1/2"	S23623
32A	Key, 3/16 x 1-1/4" [See Note 1]	S34383
32B	Key, 1/4 x 2-1/4" [See Note 1]	S23677
69A	Washer, Impeller	S06314
69B	Washer, Impeller	S06319
71	Bracket	See Table II
73	O-Ring [See Note 2]	M14943
800A	Capscrew, 3/8 - 16 x 7/8" [8 Req.]	S26825
800B	Capscrew, 3/8 - 16 x 1" [4 Req.]	S26826
800C	Capscrew, 1/2 - 13 x 1-1/2" [4 Req.]	S26916
801A	Stud, 3/8 - 16 x 3" [2 Req.]	S04439
801B	Stud, 3/8 - 16 x 4" [2 Req.]	S08303
802	Nut, Hex 3/8 - 16 [2 Req.]	S23343
805A	Washer, Lock	S23036
805B	Washer, Lock	S23038
810	Plug, Pipe 1/4" NPT [5 Req.]	S23715

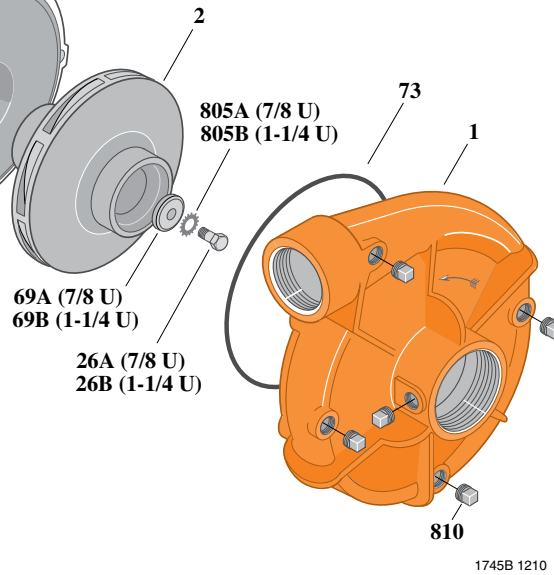


Table II

HP	PH	Bracket No.	"AK" Fit	"U" Dim.	Motor Frame
5	1	L03827	8-1/2"	1-1/4"	213JP
5	3	H00950	4-1/2"	7/8"	184JP
7.5	1	L03827	8-1/2"	1-1/4"	215JP
7.5	3	L03827	8-1/2"	1-1/4"	213JP

NOTE 1: For an explanation of the tabulated material found on this page and for impeller key location, refer to **Supplement A** located at the beginning of this section.

NOTE 2: Also accepts gasket **S05126** as replacement for O-Ring. See **Supplement E** located at the beginning of this section.



BERKELEY® B2-1/2ZPM

Silicon Bronze Impeller

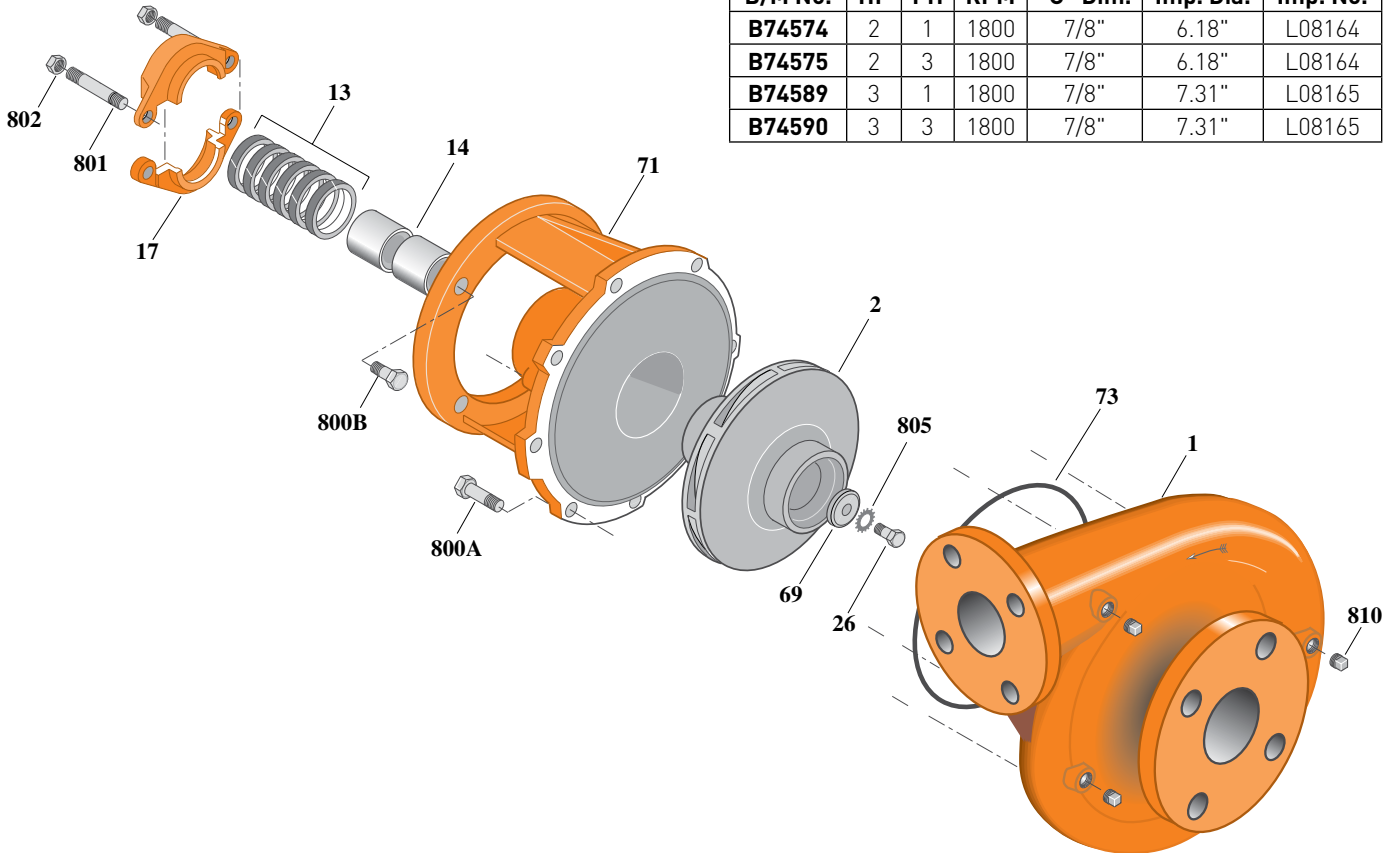
Flanged Case, Packing Construction

ELECTRIC MOTOR DRIVE

Section	CC
Page	140.6
Date	March 4, 2013
Supersedes 07/01/11	

Table I

B/M No.	HP	PH	RPM	"U" Dim.	Imp. Dia.	Imp. No.
B74574	2	1	1800	7/8"	6.18"	L08164
B74575	2	3	1800	7/8"	6.18"	L08164
B74589	3	1	1800	7/8"	7.31"	L08165
B74590	3	3	1800	7/8"	7.31"	L08165



1745C 1210

Item No.	Part Description	Part Number
1	Case, Volute	H05534
2	Impeller	See Table I
13	Rings, Packing (Set of 7)	S15094
14	Sleeve, Shaft (2 Req.)	S00619L
17	Gland, Packing	B82469
26	Screw, Impeller 3/8 - 16 x 1"	S23566
32	Key, 3/16 x 1-1/4" (See Note 1)	S34383
69	Washer, Impeller	S06314
71	Bracket	See Table II
73	O-Ring (See Note 2)	M14943
800A	Capscrew, 3/8 - 16 x 7/8" (8 Req.)	S26825
800B	Capscrew, 3/8 - 16 x 1" (4 Req.)	S26826
801	Stud, 3/8 - 16 x 3" (2 Req.)	S04439
802	Nut, Hex 3/8 - 16 (2 Req.)	S23343
805	Washer, Lock	S23036
810	Plug, Pipe 1/4" NPT (4 Req.)	S23715

Table II

HP	PH	Bracket No.	"AK" Fit	"U" Dim.	Motor Frame
2	1	H00950	4-1/2"	7/8"	182JP
2	3	H00950	4-1/2"	7/8"	145JP
3	1	H00950	4-1/2"	7/8"	184JP
3	3	H00950	4-1/2"	7/8"	182JP

NOTE 1: For an explanation of the tabulated material found on this page and for impeller key location, refer to **Supplement A** located at the beginning of this section.

NOTE 2: Also accepts gasket **S05126** as replacement for O-Ring. See **Supplement E** located at the beginning of this section.



BERKELEY® B2-1/2ZPM

Silicon Bronze Impeller

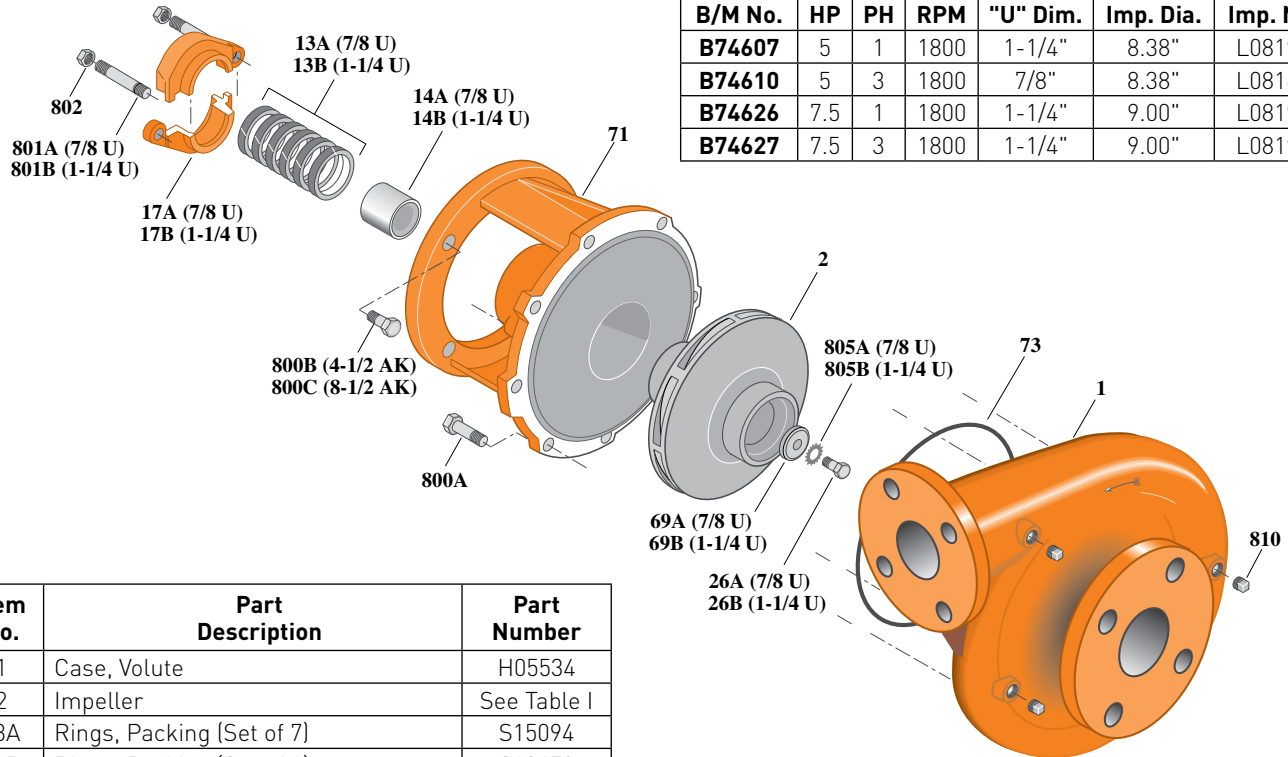
Flanged Case, Packing Construction

ELECTRIC MOTOR DRIVE

Section	CC
Page	140.7
Date	March 4, 2013
Supersedes 07/01/11	

Table I

B/M No.	HP	PH	RPM	"U" Dim.	Imp. Dia.	Imp. No.
B74607	5	1	1800	1-1/4"	8.38"	L08191
B74610	5	3	1800	7/8"	8.38"	L08166
B74626	7.5	1	1800	1-1/4"	9.00"	L08190
B74627	7.5	3	1800	1-1/4"	9.00"	L08190



1745D 1210

Item No.	Part Description	Part Number
1	Case, Volute	H05534
2	Impeller	See Table I
13A	Rings, Packing [Set of 7]	S15094
13B	Rings, Packing [Set of 6]	S13470
14A	Sleeve, Shaft [2 Req.]	S00619L
14B	Sleeve, Shaft	S05149L
17A	Gland, Packing	B82469
17B	Gland, Packing	B82470
26A	Screw, Impeller 3/8 - 16 x 1"	S23566
26B	Screw, Impeller 1/2 - 13 x 1-1/2"	S23623
32A	Key, 3/16 x 1-1/4" [See Note 1]	S34383
32B	Key, 1/4 x 2-1/4" [See Note 1]	S23677
69A	Washer, Impeller	S06314
69B	Washer, Impeller	S06319
71	Bracket	See Table II
73	O-Ring [See Note 2]	M14943
800A	Capscrew, 3/8 - 16 x 7/8" [8 Req.]	S26825
800B	Capscrew, 3/8 - 16 x 1" [4 Req.]	S26826
800C	Capscrew, 1/2 - 13 x 1-1/2" [4 Req.]	S26916
801A	Stud, 3/8 - 16 x 3" [2 Req.]	S04439
801B	Stud, 3/8 - 16 x 4" [2 Req.]	S08303
802	Nut, Hex 3/8 - 16 [2 Req.]	S23343
805A	Washer, Lock	S23036
805B	Washer, Lock	S23038
810	Plug, Pipe 1/4" NPT [4 Req.]	S23715

Table II

HP	PH	Bracket No.	"AK" Fit	"U" Dim.	Motor Frame
5	1	L03827	8-1/2"	1-1/4"	213JP
5	3	H00950	4-1/2"	7/8"	184JP
7.5	1	L03827	8-1/2"	1-1/4"	215JP
7.5	3	L03827	8-1/2"	1-1/4"	213JP

NOTE 1: For an explanation of the tabulated material found on this page and for impeller key location, refer to **Supplement A** located at the beginning of this section.

NOTE 2: Also accepts gasket **S05126** as replacement for O-Ring. See **Supplement E** located at the beginning of this section.



BERKELEY® B2-1/2ZPMS

Silicon Bronze Impeller

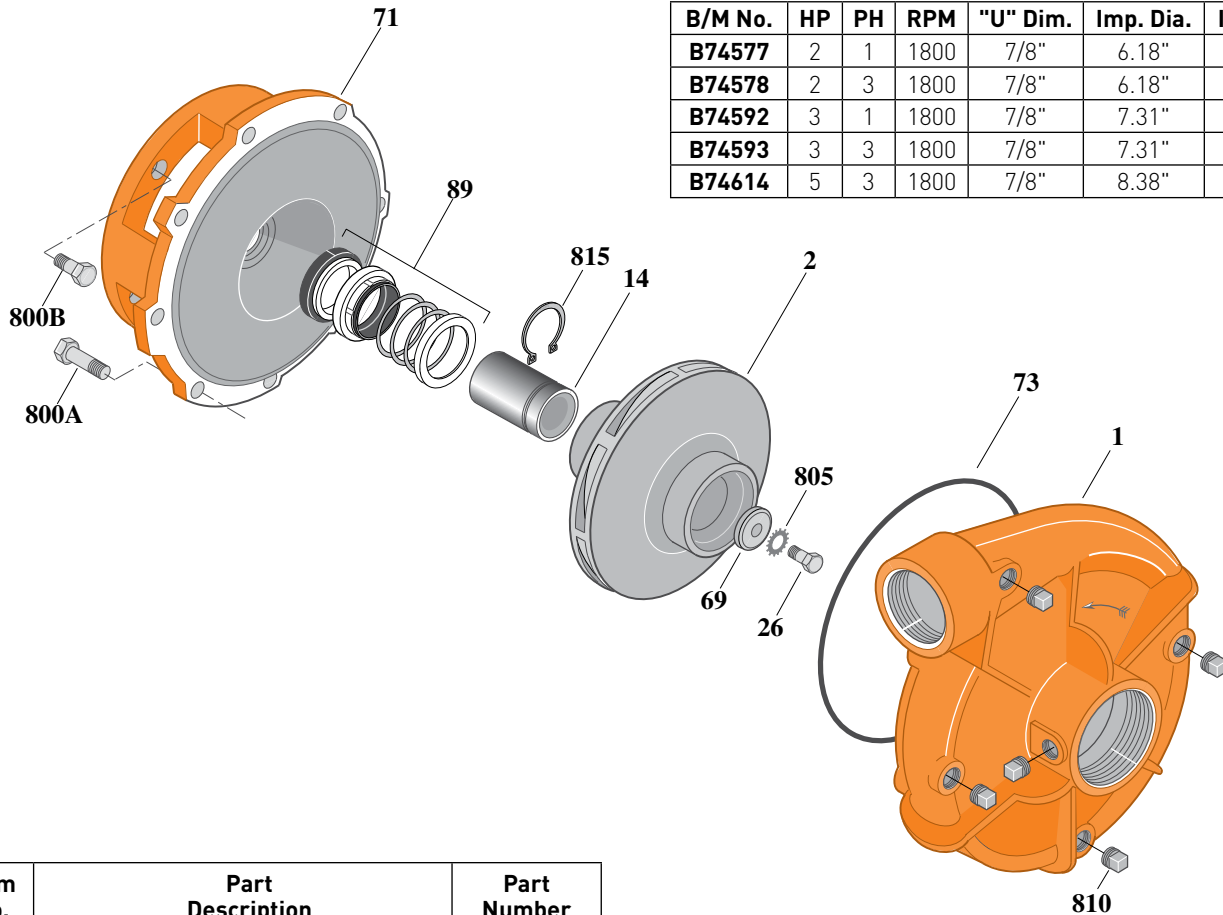
Threaded Case (NPT), Mechanical Shaft Seal Construction

ELECTRIC MOTOR DRIVE

Section	CC
Page	140.8
Date	March 4, 2013
Supersedes 07/01/11	

Table I

B/M No.	HP	PH	RPM	"U" Dim.	Imp. Dia.	Imp. No.
B74577	2	1	1800	7/8"	6.18"	L08164
B74578	2	3	1800	7/8"	6.18"	L08164
B74592	3	1	1800	7/8"	7.31"	L08165
B74593	3	3	1800	7/8"	7.31"	L08165
B74614	5	3	1800	7/8"	8.38"	L08166



Item No.	Part Description	Part Number
1	Case, Volute	L01027
2	Impeller	See Table I
14	Sleeve, Shaft	S19310L
26	Screw, Impeller 3/8 - 16 x 1"	S23566
32	Key, 3/16 x 1-1/4" [See Note 1]	S34383
69	Washer, Impeller	S06314
71	Bracket	See Table II
73	O-Ring [See Note 3]	M14943
89	Seal, Mechanical Shaft	S32014
800A	Capscrew, 3/8 - 16 x 7/8" (8 Req.)	S26825
800B	Capscrew, 3/8 - 16 x 1" (4 Req.)	S26826
805	Washer, Lock	S23036
810	Plug, Pipe 1/4" NPT (5 Req.)	S23715
815	Ring, Retaining	S11207
•	Plug, Pipe 1/8" NPT (In Bracket)	S23714

• Not illustrated.

Table II

HP	PH	Bracket No.	"AK" Fit	"U" Dim.	Motor Frame
2	1	L05332	4-1/2"	7/8"	182JM
2	3	L05332	4-1/2"	7/8"	145JM
3	1	L05332	4-1/2"	7/8"	184JM
3	3	L05332	4-1/2"	7/8"	182JM
5	3	L05332	4-1/2"	7/8"	184JM

NOTE 1: For an explanation of the tabulated material found on this page and for impeller key location, refer to **Supplement A** located at the beginning of this section.

NOTE 2: For seal flush line details, see **Supplement D**.

NOTE 3: Also accepts gasket **S05126** as replacement for O-Ring. See **Supplement E** located at the beginning of this section.



BERKELEY® B2-1/2ZPMS

Silicon Bronze Impeller

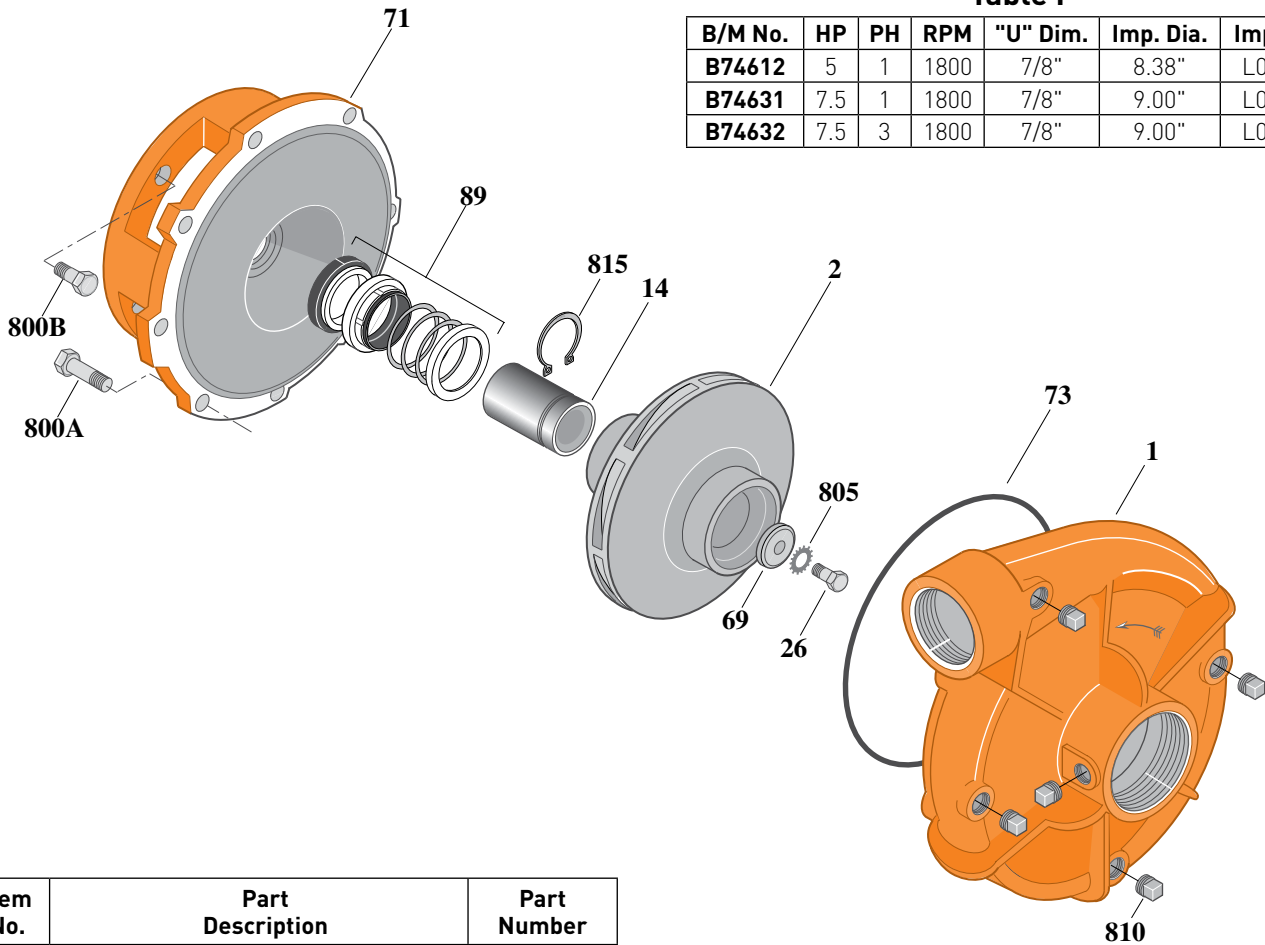
Threaded Case (NPT), Mechanical Shaft Seal Construction

ELECTRIC MOTOR DRIVE

Section	CC
Page	140.9
Date	March 4, 2013
Supersedes 07/01/11	

Table I

B/M No.	HP	PH	RPM	"U" Dim.	Imp. Dia.	Imp. No.
B74612	5	1	1800	7/8"	8.38"	L08166
B74631	7.5	1	1800	7/8"	9.00"	L08163
B74632	7.5	3	1800	7/8"	9.00"	L08163



1497 1210

Item No.	Part Description	Part Number
1	Case, Volute	L01027
2	Impeller	See Table I
14	Sleeve, Shaft	S19310L
26	Screw, Impeller 3/8 - 16 x 1"	S23566
32	Key, 3/16 x 1-1/4" [See Note 1]	S34383
69	Washer, Impeller	S06314
71	Bracket	See Table II
73	O-Ring [See Note 3]	M14943
89	Seal, Mechanical Shaft	S32014
800A	Capscrew, 3/8 - 16 x 7/8" (8 Req.)	S26825
800B	Capscrew, 1/2 - 13 x 1" (4 Req.)	S26912
805	Washer, Lock	S23036
810	Plug, Pipe 1/4" NPT (5 Req.)	S23715
815	Ring, Retaining	S11207
•	Plug, Pipe 1/8" NPT (In Bracket)	S23714

• Not illustrated.

Table II

HP	PH	Bracket No.	"AK" Fit	"U" Dim.	Motor Frame
5	1	L05331	8-1/2"	7/8"	213JM
7.5	1	L05331	8-1/2"	7/8"	215JM
7.5	3	L05331	8-1/2"	7/8"	213JM

NOTE 1: For an explanation of the tabulated material found on this page and for impeller key location, refer to **Supplement A** located at the beginning of this section.

NOTE 2: For seal flush line details, see **Supplement D**.

NOTE 3: Also accepts gasket **S05126** as replacement for O-Ring. See **Supplement E** located at the beginning of this section.



BERKELEY® B2-1/2ZPMS

Silicon Bronze Impeller

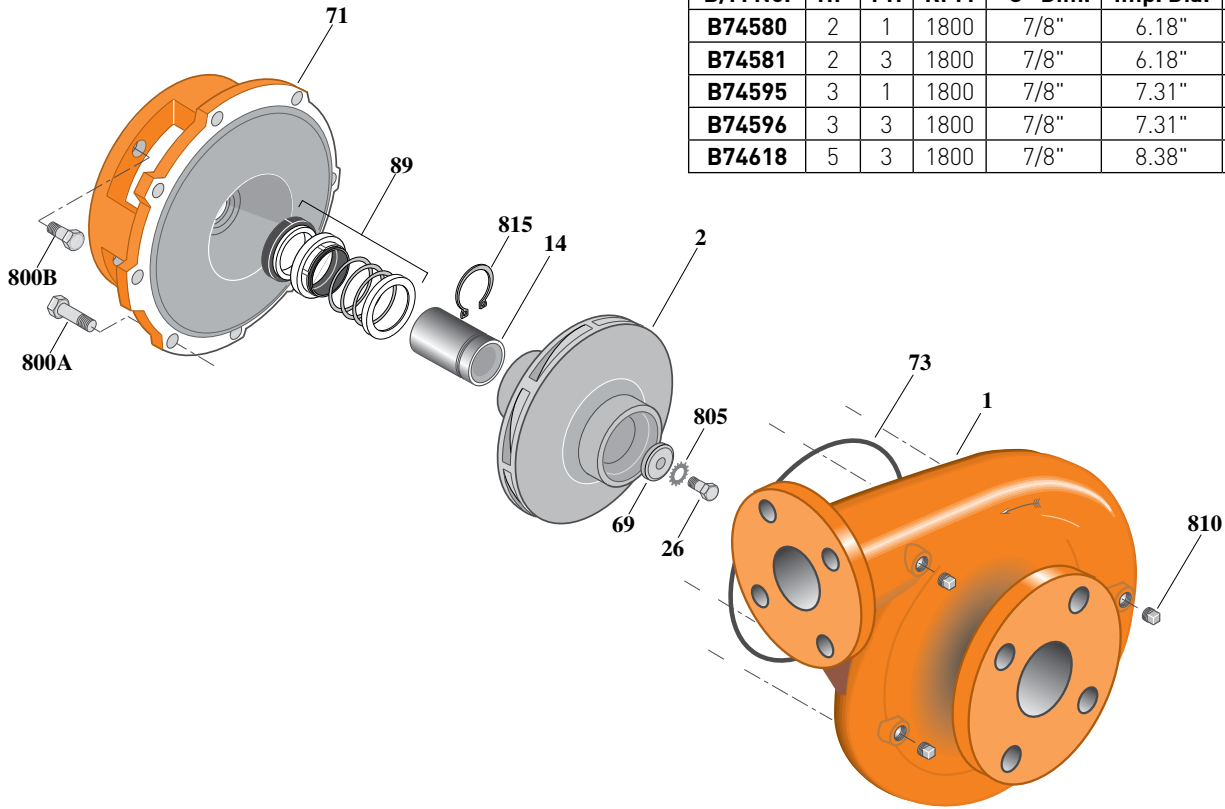
Flanged Case, Mechanical Shaft Seal Construction

ELECTRIC MOTOR DRIVE

Section	CC
Page	140.10
Date	March 4, 2013
Supersedes 07/01/11	

Table I

B/M No.	HP	PH	RPM	"U" Dim.	Imp. Dia.	Imp. No.
B74580	2	1	1800	7/8"	6.18"	L08164
B74581	2	3	1800	7/8"	6.18"	L08164
B74595	3	1	1800	7/8"	7.31"	L08165
B74596	3	3	1800	7/8"	7.31"	L08165
B74618	5	3	1800	7/8"	8.38"	L08166



1497B 1210

Item No.	Part Description	Part Number
1	Case, Volute	H05534
2	Impeller	See Table I
14	Sleeve, Shaft	S19310L
26	Screw, Impeller 3/8 - 16 x 1"	S23566
32	Key, 3/16 x 1-1/4" [See Note 1]	S34383
69	Washer, Impeller	S06314
71	Bracket	See Table II
73	O-Ring [See Note 3]	M14943
89	Seal, Mechanical Shaft	S32014
800A	Capscrew, 3/8 - 16 x 7/8" (8 Req.)	S26825
800B	Capscrew, 3/8 - 16 x 1" (4 Req.)	S26826
805	Washer, Lock	S23036
810	Plug, Pipe 1/4" NPT (4 Req.)	S23715
815	Ring, Retaining	S11207
•	Plug, Pipe 1/8" NPT (In Bracket)	S23714

• Not illustrated.

Table II

HP	PH	Bracket No.	"AK" Fit	"U" Dim.	Motor Frame
2	1	L05332	4-1/2"	7/8"	182JM
2	3	L05332	4-1/2"	7/8"	145JM
3	1	L05332	4-1/2"	7/8"	184JM
3	3	L05332	4-1/2"	7/8"	182JM
5	3	L05332	4-1/2"	7/8"	184JM

NOTE 1: For an explanation of the tabulated material found on this page and for impeller key location, refer to **Supplement A** located at the beginning of this section.

NOTE 2: For seal flush line details, see **Supplement D**.

NOTE 3: Also accepts gasket **S05126** as replacement for O-Ring. See **Supplement E** located at the beginning of this section.



BERKELEY® B2-1/2ZPMS

Silicon Bronze Impeller

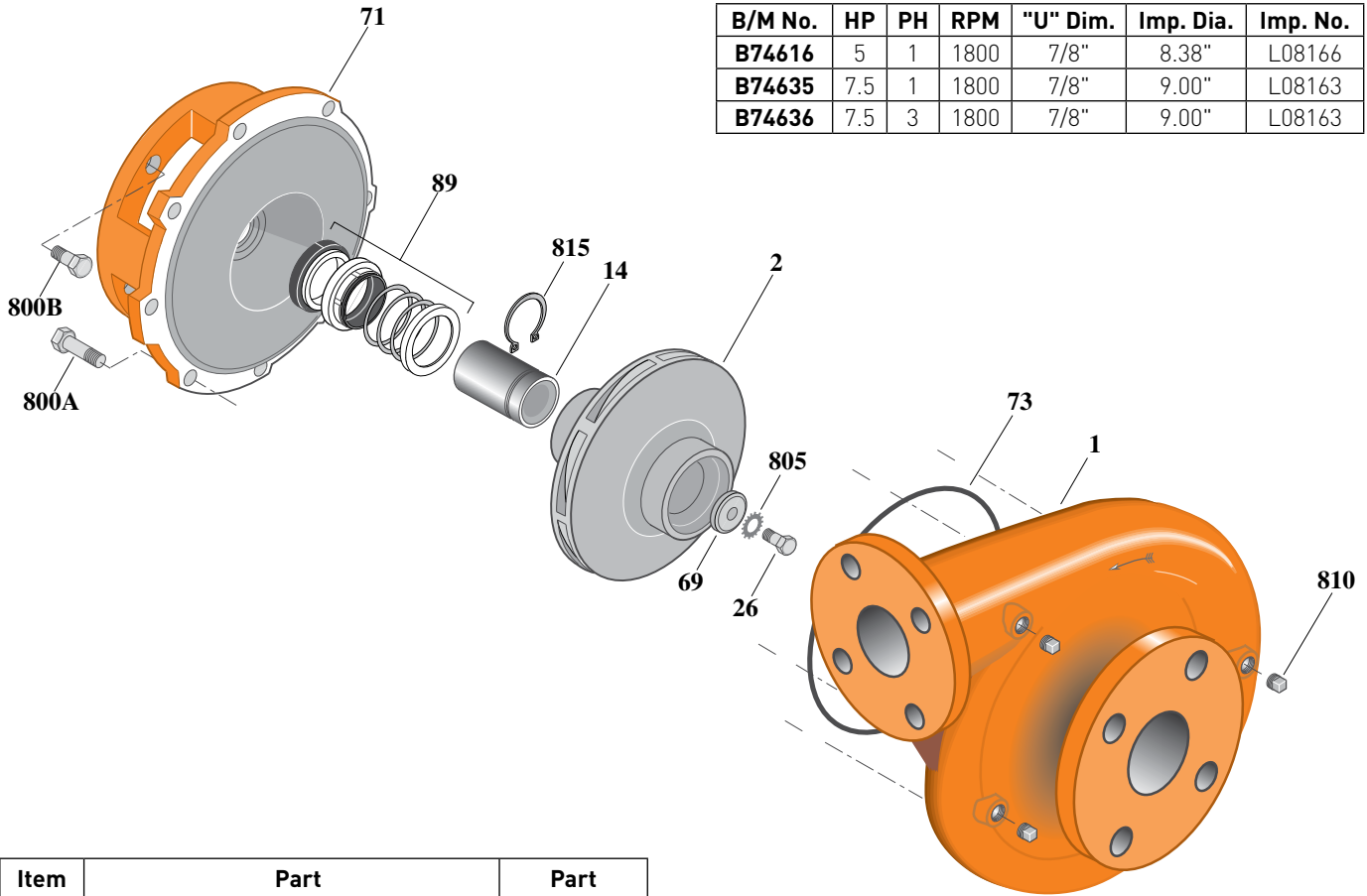
Flanged Case, Mechanical Shaft Seal Construction

ELECTRIC MOTOR DRIVE

Section	CC
Page	140.11
Date	March 4, 2013
Supersedes 07/01/11	

Table I

B/M No.	HP	PH	RPM	"U" Dim.	Imp. Dia.	Imp. No.
B74616	5	1	1800	7/8"	8.38"	L08166
B74635	7.5	1	1800	7/8"	9.00"	L08163
B74636	7.5	3	1800	7/8"	9.00"	L08163



1497B 1210

Item No.	Part Description	Part Number
1	Case, Volute	H05534
2	Impeller	See Table I
14	Sleeve, Shaft	S19310L
26	Screw, Impeller 3/8 - 16 x 1"	S23566
32	Key, 3/16 x 1-1/4" [See Note 1]	S34383
69	Washer, Impeller	S06314
71	Bracket	See Table II
73	O-Ring [See Note 3]	M14943
89	Seal, Mechanical Shaft	S32014
800A	Capscrew, 3/8 - 16 x 7/8" (8 Req.)	S26825
800B	Capscrew, 1/2 - 13 x 1" (4 Req.)	S26912
805	Washer, Lock	S23036
810	Plug, Pipe 1/4" NPT (4 Req.)	S23715
815	Ring, Retaining	S11207
•	Plug, Pipe 1/8" NPT (In Bracket)	S23714

• Not illustrated.

Table II

HP	PH	Bracket No.	"AK" Fit	"U" Dim.	Motor Frame
5	1	L05331	8-1/2"	7/8"	213JM
7.5	1	L05331	8-1/2"	7/8"	215JM
7.5	3	L05331	8-1/2"	7/8"	213JM

NOTE 1: For an explanation of the tabulated material found on this page and for impeller key location, refer to **Supplement A** located at the beginning of this section.

NOTE 2: For seal flush line details, see **Supplement D**.

NOTE 3: Also accepts gasket **S05126** as replacement for O-Ring. See **Supplement E** located at the beginning of this section.



BERKELEY® B2-1/2ZPMS

Bronze Impeller

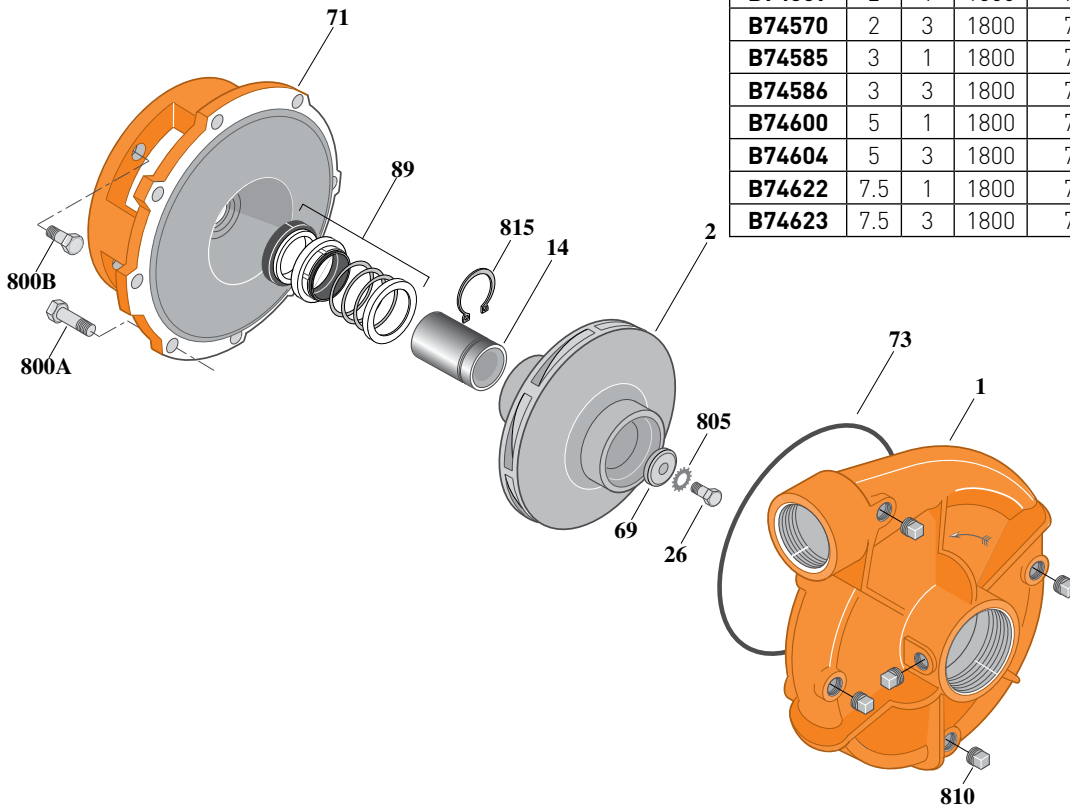
Threaded Case (NPT), Mechanical Shaft Seal Construction

ELECTRIC MOTOR DRIVE

Section	CC
Page	140.12
Date	March 4, 2013
Supersedes 07/01/11	

Table I

B/M No.	HP	PH	RPM	"U" Dim.	Imp. Dia.	Imp. No.
B74569	2	1	1800	7/8"	6.18"	L08164
B74570	2	3	1800	7/8"	6.18"	L08164
B74585	3	1	1800	7/8"	7.31"	L08165
B74586	3	3	1800	7/8"	7.31"	L08165
B74600	5	1	1800	7/8"	8.38"	L08166
B74604	5	3	1800	7/8"	8.38"	L08166
B74622	7.5	1	1800	7/8"	9.00"	L08190
B74623	7.5	3	1800	7/8"	9.00"	L08190



1497 1210

Item No.	Part Description	Part Number
1	Case, Volute	L01027
2	Impeller	See Table I
14	Sleeve, Shaft	S19310L
26	Screw, Impeller 3/8 - 16 x 1"	S23566
32	Key, 3/16 x 1-1/4" (See Note 1)	S34383
69	Washer, Impeller	S06314
71	Bracket	See Table II
73	O-Ring (See Note 2)	M14943
89	Seal, Mechanical Shaft	S32014
800A	Cap screw, 3/8 - 16 x 7/8" (8 Req.)	S26825
800B	Cap screw, 3/8 - 16 x 1" (4 Req.)	S26826
805	Washer, Lock	S23036
810	Plug, Pipe 1/4 NPT (5 Req.)	S23715
815	Ring, Retaining	S11207

Table II

HP	PH	Bracket No.	"AK" Fit	"U" Dim.	Motor Frame
2	1	L05332	4-1/2"	7/8"	182JM
2	3	L05332	4-1/2"	7/8"	145JM
3	1	L05332	4-1/2"	7/8"	184JM
3	3	L05332	4-1/2"	7/8"	182JM
5	1	L05331	8-1/2"	7/8"	213JM
5	3	L05332	4-1/2"	7/8"	184JM
7.5	1	L05331	8-1/2"	7/8"	215JM
7.5	3	L05331	8-1/2"	7/8"	213JM

NOTE 1: For an explanation of the tabulated material found on this page and for impeller key location, refer to **Supplement A** located at the beginning of this section.

NOTE 2: Also accepts gasket **S05126** as replacement for O-Ring. See **Supplement E** located at the beginning of this section.



BERKELEY® B2-1/2ZPMS

Bronze Impeller

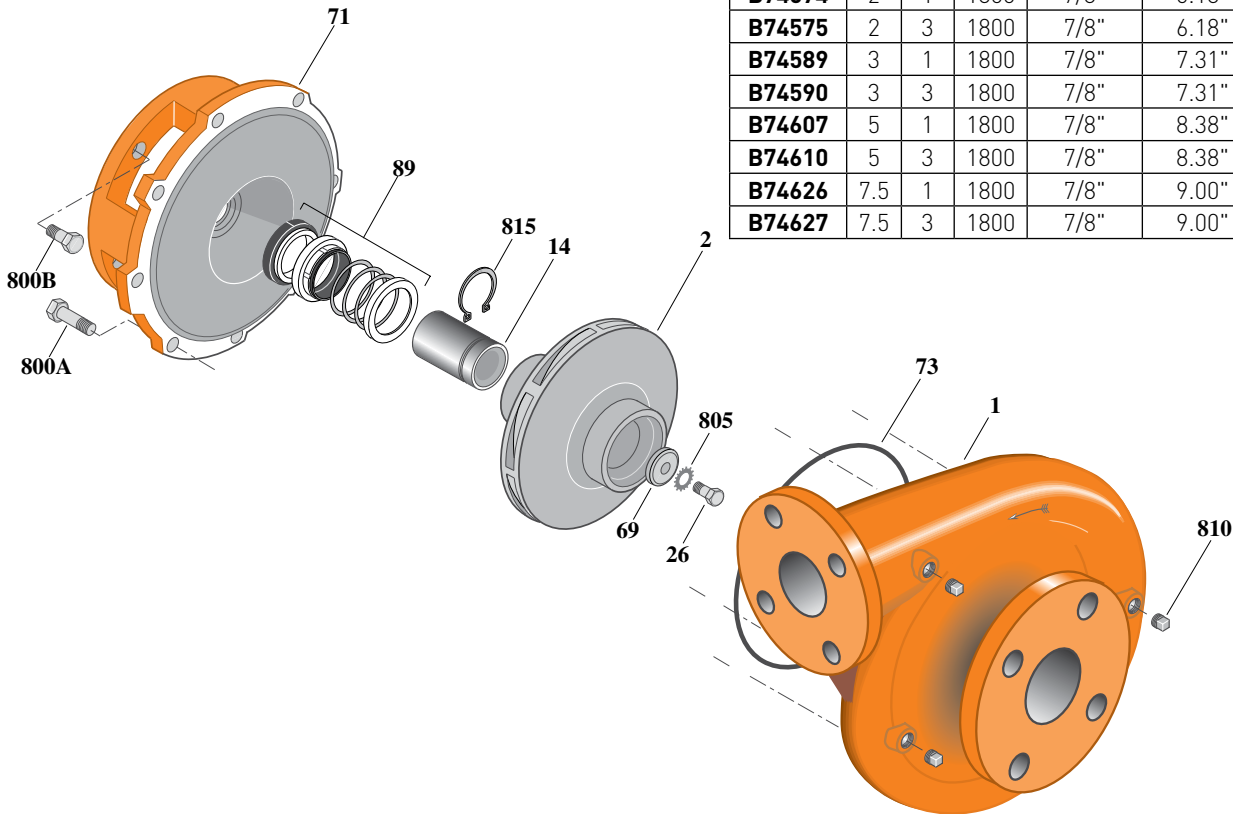
Flanged Case, Mechanical Shaft Seal Construction

ELECTRIC MOTOR DRIVE

Section	CC
Page	140.13
Date	March 4, 2013
Supersedes 07/01/11	

Table I

B/M No.	HP	PH	RPM	"U" Dim.	Imp. Dia.	Imp. No.
B74574	2	1	1800	7/8"	6.18"	L08164
B74575	2	3	1800	7/8"	6.18"	L08164
B74589	3	1	1800	7/8"	7.31"	L08165
B74590	3	3	1800	7/8"	7.31"	L08165
B74607	5	1	1800	7/8"	8.38"	L08166
B74610	5	3	1800	7/8"	8.38"	L08166
B74626	7.5	1	1800	7/8"	9.00"	L08190
B74627	7.5	3	1800	7/8"	9.00"	L08190



1497B 1210

Item No.	Part Description	Part Number
1	Case, Volute	H05534
2	Impeller	See Table I
14	Sleeve, Shaft	S19310L
26	Screw, Impeller 3/8 - 16 x 1"	S23566
32	Key, 3/16 x 1-1/4" [See Note 1]	S34383
69	Washer, Impeller	S06314
71	Bracket	See Table II
73	O-Ring [See Note 2]	M14943
89	Seal, Mechanical Shaft	S32014
800A	Cap screw, 3/8 - 16 x 7/8" [8 Req.]	S26825
800B	Cap screw, 3/8 - 16 x 1" [4 Req.]	S26826
805	Washer, Lock	S23036
810	Plug, Pipe 1/4 NPT [5 Req.]	S23715
815	Ring, Retaining	S11207

Table II

HP	PH	Bracket No.	"AK" Fit	"U" Dim.	Motor Frame
2	1	L05332	4-1/2"	7/8"	182JM
2	3	L05332	4-1/2"	7/8"	145JM
3	1	L05332	4-1/2"	7/8"	184JM
3	3	L05332	4-1/2"	7/8"	182JM
5	1	L05331	8-1/2"	7/8"	213JM
5	3	L05332	4-1/2"	7/8"	184JM
7.5	1	L05331	8-1/2"	7/8"	215JM
7.5	3	L05331	8-1/2"	7/8"	213JM

NOTE 1: For an explanation of the tabulated material found on this page and for impeller key location, refer to **Supplement A** located at the beginning of this section.

NOTE 2: Also accepts gasket **S05126** as replacement for O-Ring. See **Supplement E** located at the beginning of this section.



BERKELEY® B2-1/2JPBM

Cast Iron Impeller

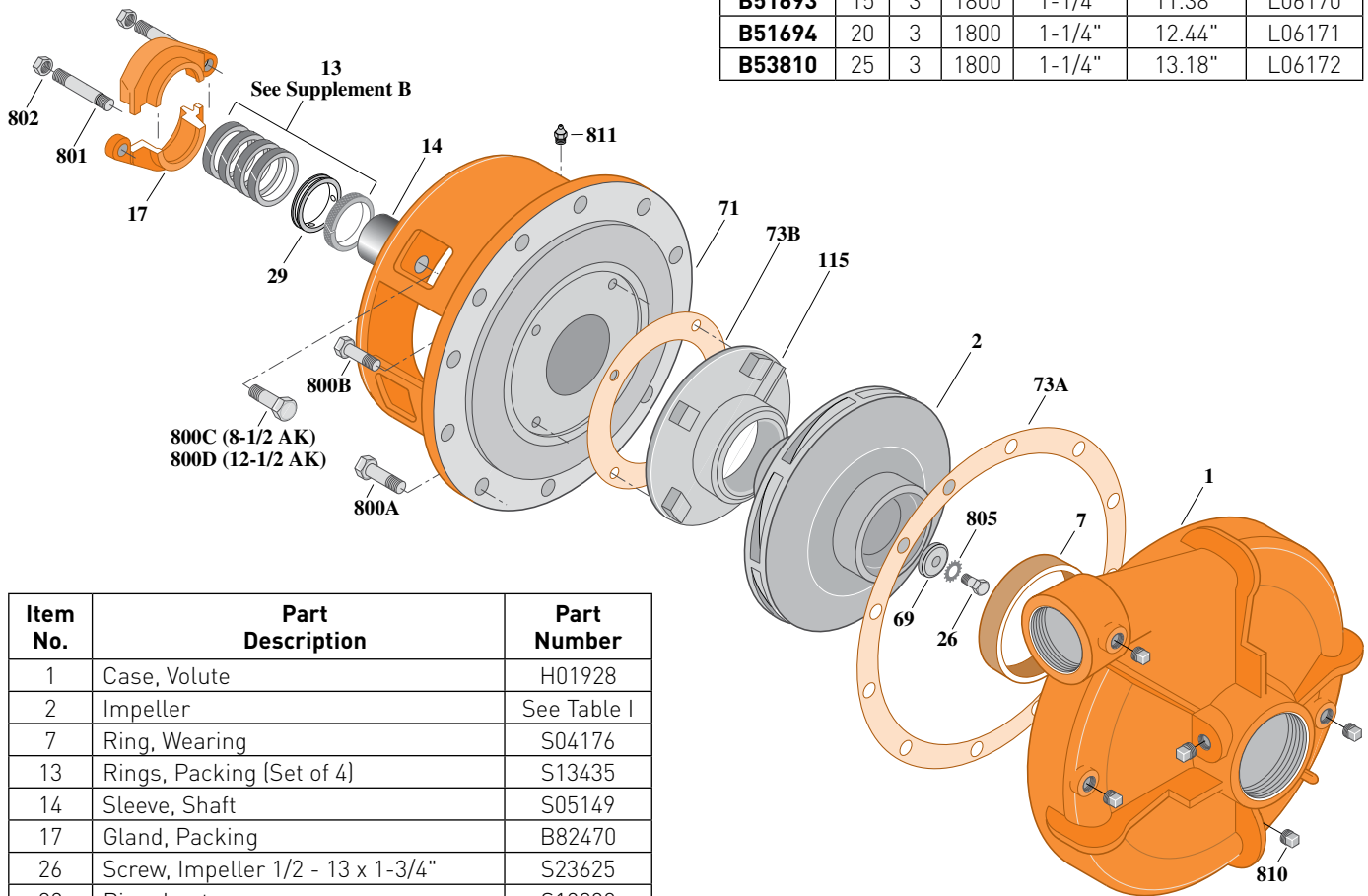
Threaded Case (NPT), Packing Construction

ELECTRIC MOTOR DRIVE

Section	CC
Page	150.1
Date	March 4, 2013
Supersedes 01/01/04	

Table I

B/M No.	HP	PH	RPM	"U" Dim.	Imp. Dia.	Imp. No.
B51693	15	3	1800	1-1/4"	11.38"	L06170
B51694	20	3	1800	1-1/4"	12.44"	L06171
B53810	25	3	1800	1-1/4"	13.18"	L06172



1768 0495

Item No.	Part Description	Part Number
1	Case, Volute	H01928
2	Impeller	See Table I
7	Ring, Wearing	S04176
13	Rings, Packing (Set of 4)	S13435
14	Sleeve, Shaft	S05149
17	Gland, Packing	B82470
26	Screw, Impeller 1/2 - 13 x 1-3/4"	S23625
29	Ring, Lantern	S19200
32	Key, 1/4 x 2-1/4" (See Note)	S23677
69	Washer, Impeller	S06319
71	Bracket	See Table II
73A	Gasket, Volute	S06271
73B	Gasket, Balance Ring	S09943
115	Ring, Balance	M05115
800A	Capscrew, 5/8 - 11 x 1-1/2" [12 Req.]	S26999
800B	Capscrew, 1/2 - 13 x 1-1/2" [4 Req.]	S26916
800C	Capscrew, 3/8 - 16 x 1-1/2" [4 Req.]	S26830
801	Stud, 3/8 - 16 x 2-1/2" [2 Req.]	S04438
802	Nut, Hex 3/8 - 16 [2 Req.]	S23343
805	Washer, Lock	S23038
810	Plug, Pipe 1/2 NPT [6 Req.]	S23717
811	Fitting, Grease	S23700
812	Elbow, Street	S25421

Table II

HP	PH	Bracket No.	"AK" Fit	"U" Dim.	Motor Frame
15	3	H02384	8-1/2"	1-1/4"	254JP
20	3	H02384	8-1/2"	1-1/4"	256JP
25	3	H01601	12-1/2"	1-1/4"	284JP

NOTE: For an explanation of the tabulated material found on this page and for impeller key location, refer to **Supplement A** located at the beginning of this section.



BERKELEY® B2-1/2JPBMS

ELECTRIC MOTOR DRIVE

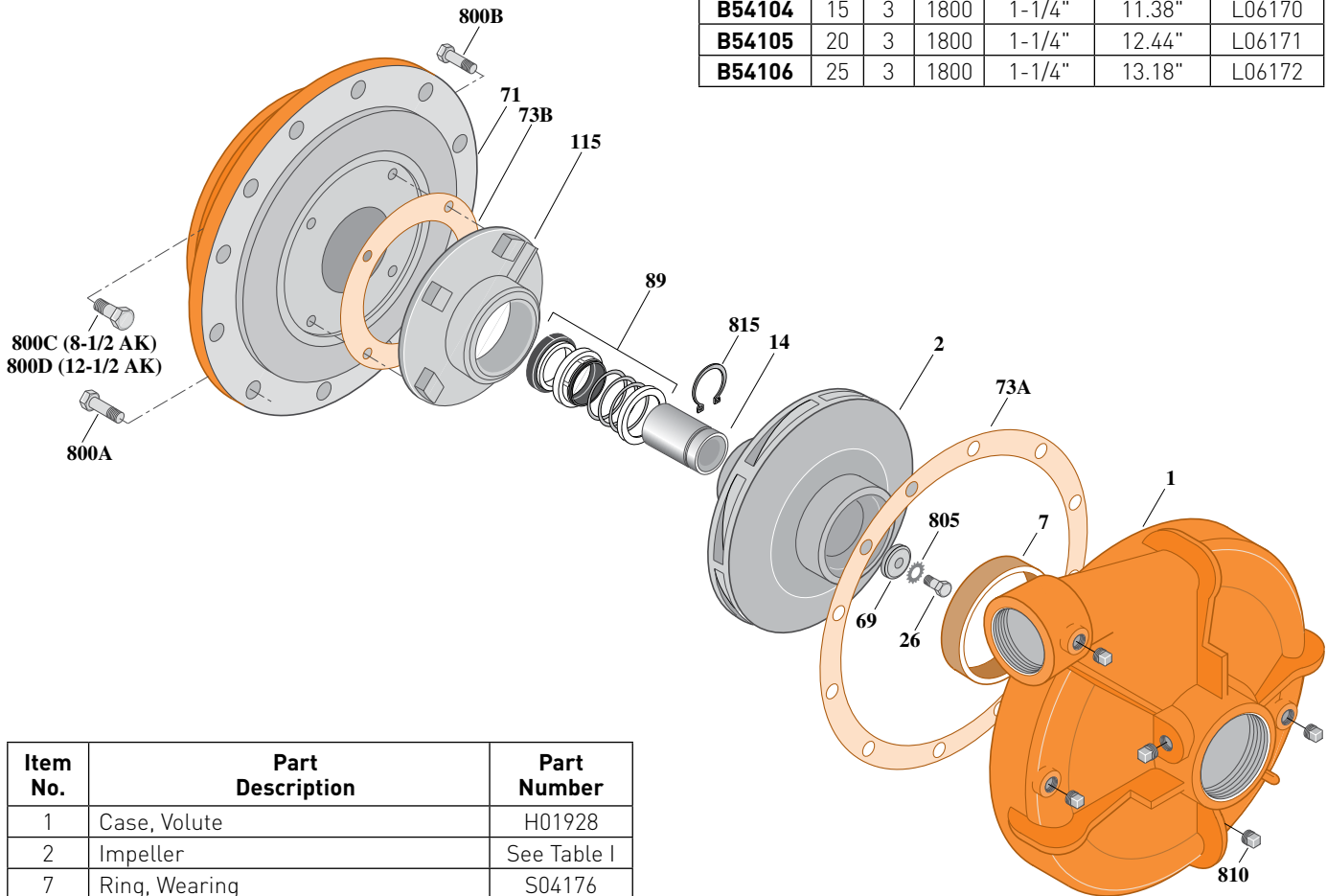
Cast Iron Impeller

Threaded Case (NPT), Mechanical Shaft Seal Construction

Section	CC
Page	150.2
Date	March 4, 2013
Supersedes 01/01/04	

Table I

B/M No.	HP	PH	RPM	"U" Dim.	Imp. Dia.	Imp. No.
B54104	15	3	1800	1-1/4"	11.38"	L06170
B54105	20	3	1800	1-1/4"	12.44"	L06171
B54106	25	3	1800	1-1/4"	13.18"	L06172



1691 0295

Item No.	Part Description	Part Number
1	Case, Volute	H01928
2	Impeller	See Table I
7	Ring, Wearing	S04176
14	Sleeve, Shaft	S18869
26	Screw, Impeller 1/2 - 13 x 1-1/2"	S23623
32	Key, 1/4 x 2-1/4" (See Note)	S23677
69	Washer, Impeller	S06319
71	Bracket	See Table II
73A	Gasket, Volute Case	S06271
73B	Gasket, Balance Ring	S09943
89	Seal, Mechanical Shaft	S32015
115	Ring, Balance	M06646
800A	Capscrew, 5/8 - 11 x 1-1/2" (12 Req.)	S26999
800B	Capscrew, 1/2 - 13 x 1-1/2" (4 Req.)	S26916
800C	Capscrew, 3/8 - 16 x 1" (4 Req.)	S26826
805	Washer, Lock	S23038
810	Plug, Pipe 1/2 NPT (6 Req.)	S23717
815	Ring, Retaining	S16767

Table II

HP	PH	Bracket No.	"AK" Fit	"U" Dim.	Motor Frame
15	3	H03300	8-1/2"	1-1/4"	254JM
20	3	H03300	8-1/2"	1-1/4"	256JM
25	3	H03301	12-1/2"	1-1/4"	284JM

NOTE: For an explanation of the tabulated material found on this page and for impeller key location, refer to **Supplement A** located at the beginning of this section.



BERKELEY® B2-1/2JPBM

Silicon Bronze Impeller

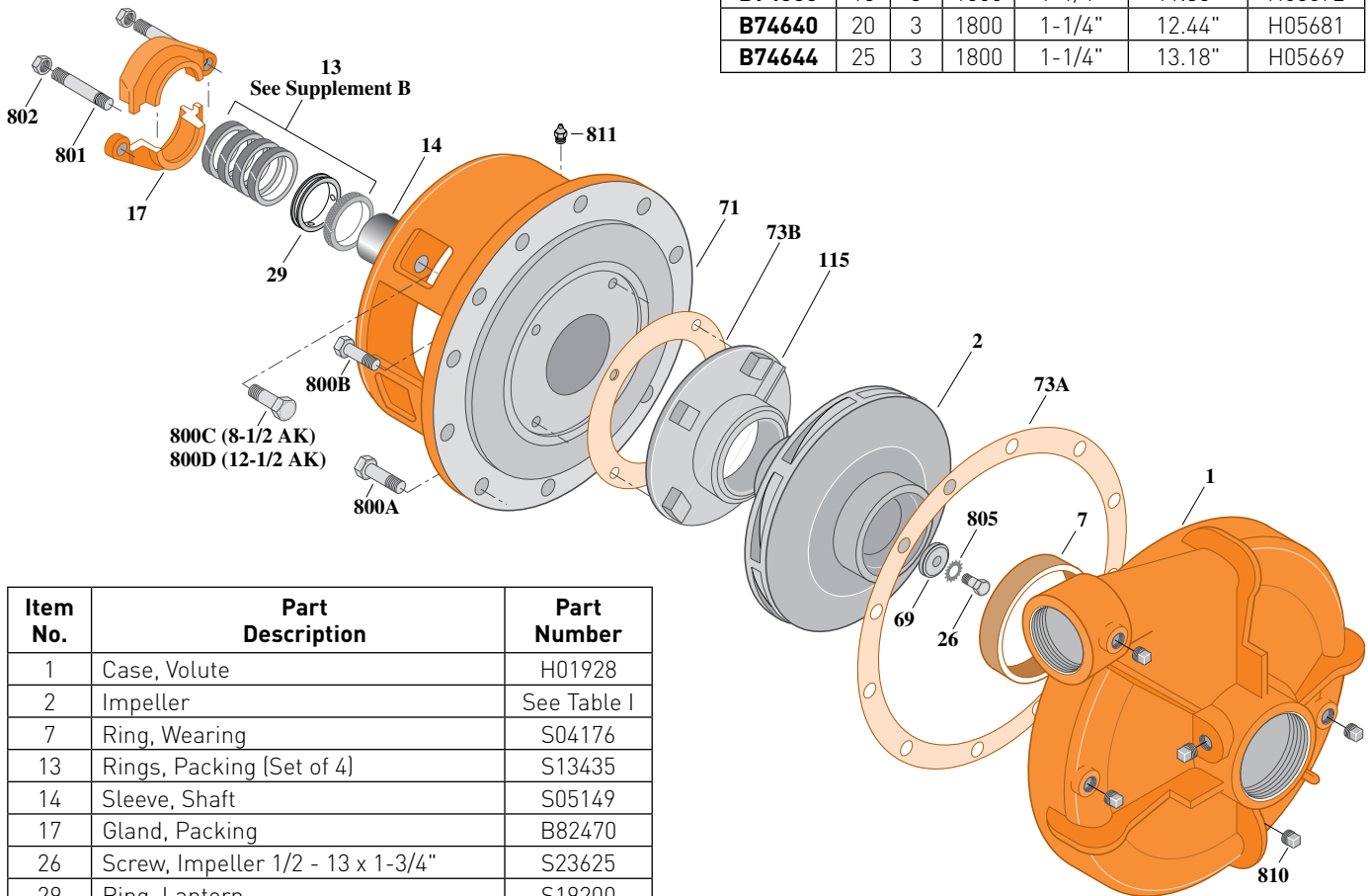
Threaded Case (NPT), Packing Construction

ELECTRIC MOTOR DRIVE

Section	CC
Page	150.3
Date	March 4, 2013
Supersedes 01/01/04	

Table I

B/M No.	HP	PH	RPM	"U" Dim.	Imp. Dia.	Imp. No.
B74656	15	3	1800	1-1/4"	11.38"	H05672
B74640	20	3	1800	1-1/4"	12.44"	H05681
B74644	25	3	1800	1-1/4"	13.18"	H05669



1768 0495

Item No.	Part Description	Part Number
1	Case, Volute	H01928
2	Impeller	See Table I
7	Ring, Wearing	S04176
13	Rings, Packing (Set of 4)	S13435
14	Sleeve, Shaft	S05149
17	Gland, Packing	B82470
26	Screw, Impeller 1/2 - 13 x 1-3/4"	S23625
29	Ring, Lantern	S19200
32	Key, 1/4 x 2-1/4" (See Note)	S23677
69	Washer, Impeller	S06319
71	Bracket	See Table II
73A	Gasket, Volute	S06271
73B	Gasket, Balance Ring	S09943
115	Ring, Balance	M05115
800A	Capscrew, 5/8 - 11 x 1-1/2" [12 Req.]	S26999
800B	Capscrew, 3/8 - 16 x 1-1/2" [4 Req.]	S26830
800C	Capscrew, 1/2 - 13 x 1-1/2" [4 Req.]	S26916
800D	Capscrew, 5/8 - 11 x 1-1/2" [4 Req.]	S26999
801	Stud, 3/8 - 16 x 2-1/2" [2 Req.]	S04438
802	Nut, Hex 3/8 - 16 [2 Req.]	S23343
805	Washer, Lock	S23038
810	Plug, Pipe 1/2 NPT [6 Req.]	S23717
811	Fitting, Grease	S23700

Table II

HP	PH	Bracket No.	"AK" Fit	"U" Dim.	Motor Frame
15	3	H02384	8-1/2"	1-1/4"	254JP
20	3	H02384	8-1/2"	1-1/4"	256JP
25	3	H01601	12-1/2"	1-1/4"	284JP

NOTE: For an explanation of the tabulated material found on this page and for impeller key location, refer to **Supplement A** located at the beginning of this section.



BERKELEY® B2-1/2JPBMS

ELECTRIC MOTOR DRIVE

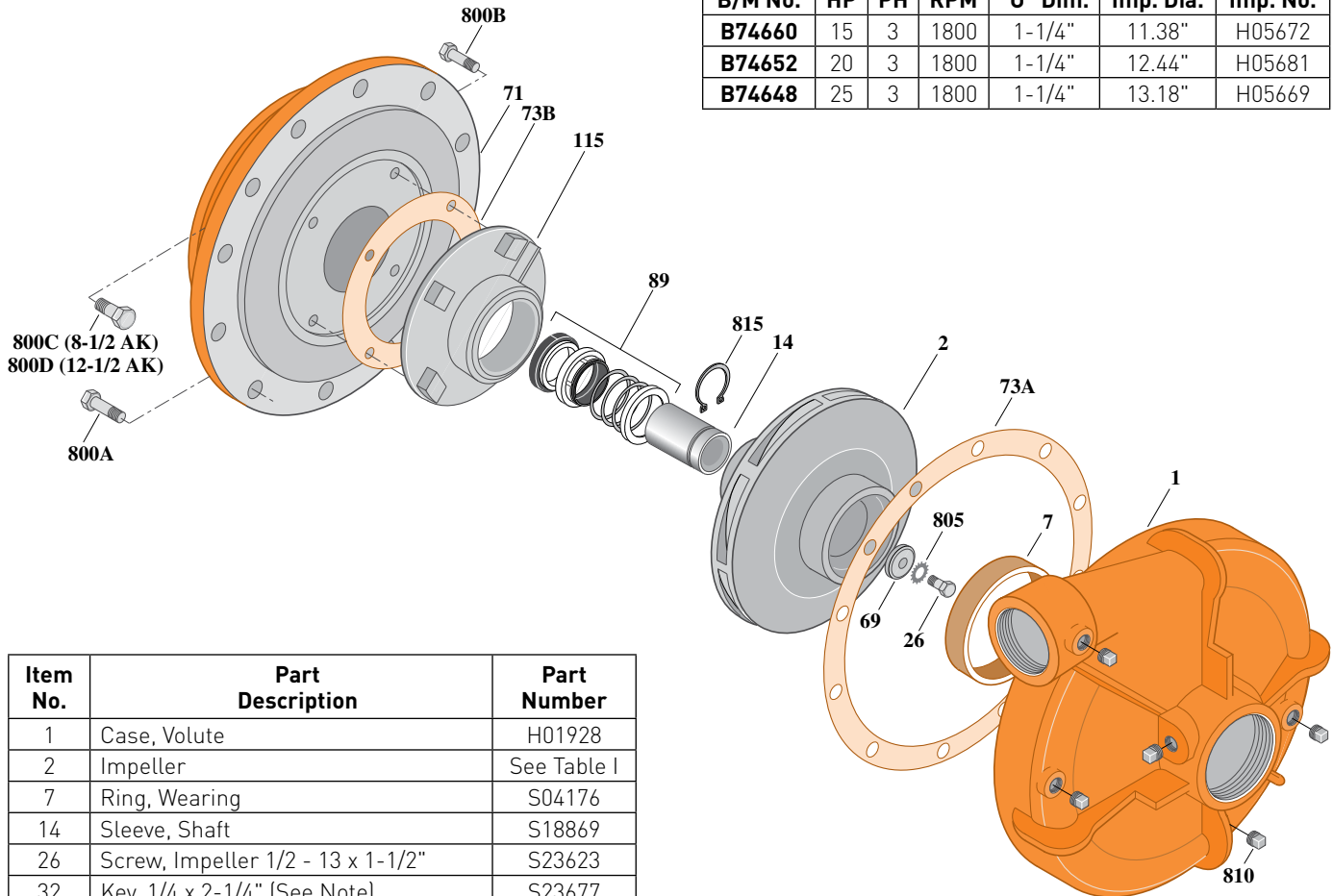
Silicon Bronze Impeller

Threaded Case (NPT), Mechanical Shaft Seal Construction

Section	CC
Page	150.4
Date	March 4, 2013
Supersedes 01/01/04	

Table I

B/M No.	HP	PH	RPM	"U" Dim.	Imp. Dia.	Imp. No.
B74660	15	3	1800	1-1/4"	11.38"	H05672
B74652	20	3	1800	1-1/4"	12.44"	H05681
B74648	25	3	1800	1-1/4"	13.18"	H05669



Item No.	Part Description	Part Number
1	Case, Volute	H01928
2	Impeller	See Table I
7	Ring, Wearing	S04176
14	Sleeve, Shaft	S18869
26	Screw, Impeller 1/2 - 13 x 1-1/2"	S23623
32	Key, 1/4 x 2-1/4" [See Note]	S23677
69	Washer, Impeller	S06319
71	Bracket	See Table II
73A	Gasket, Volute Case	S06271
73B	Gasket, Balance Ring	S09943
89	Seal, Mechanical Shaft	S32015
115	Ring, Balance	M06646
800A	Capscrew, 5/8 - 11 x 1-1/2" [12 Req.]	S26999
800B	Capscrew, 3/8 - 16 x 1" [4 Req.]	S26826
800C	Capscrew, 1/2 - 13 x 1-1/2" [4 Req.]	S26916
800D	Capscrew, 5/8 - 11 x 1-1/2" [4 Req.]	S26999
805	Washer, Lock	S23038
810	Plug, Pipe 1/2" NPT [6 Req.]	S23717
815	Ring, Retaining	S16767
•	Plug, Pipe 1/8" NPT (In Bracket)	S23714

• Not illustrated.

Table II

HP	PH	Bracket No.	"AK" Fit	"U" Dim.	Motor Frame
15	3	H03300	8-1/2"	1-1/4"	254JM
20	3	H03300	8-1/2"	1-1/4"	256JM
25	3	H03301	12-1/2"	1-1/4"	284JM

NOTE 1: For an explanation of the tabulated material found on this page and for impeller key location, refer to **Supplement A** located at the beginning of this section.

NOTE 2: For seal flush line details, see **Supplement D**.



BERKELEY® B3TPM

Cast Iron Impeller

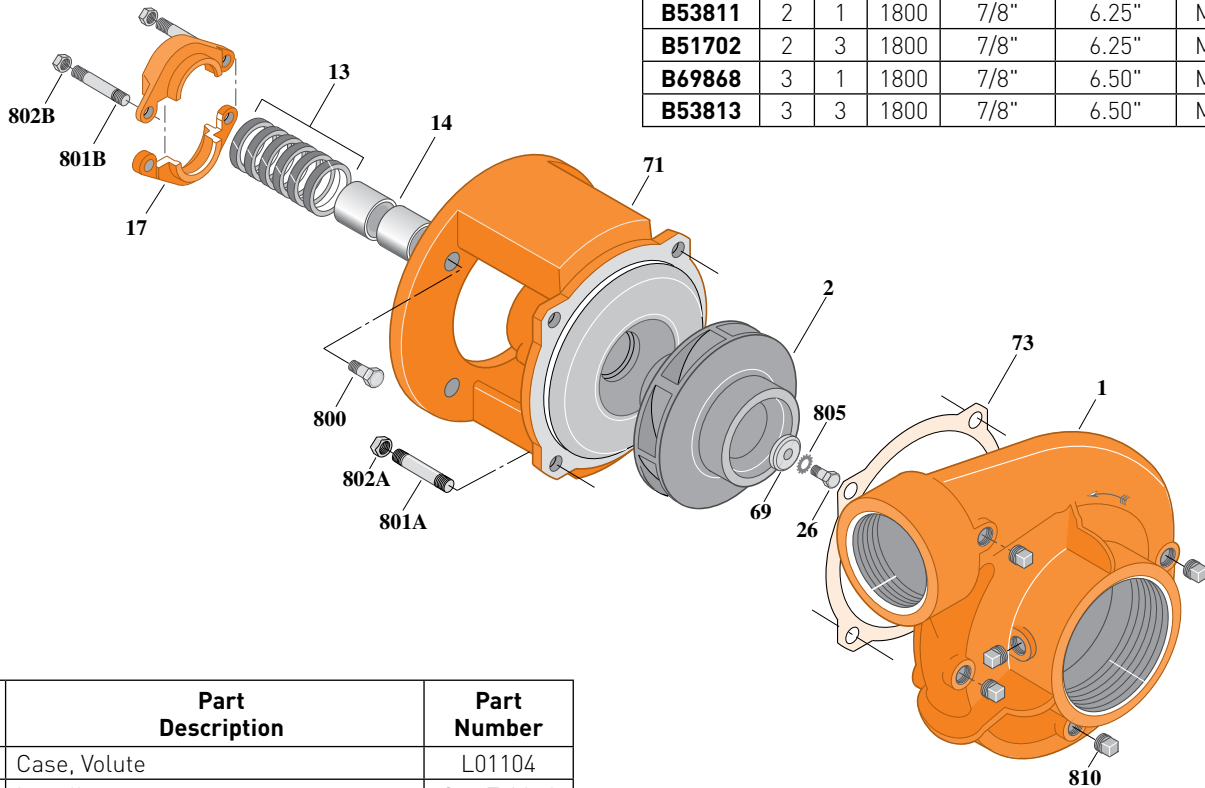
Threaded Case (NPT), Packing Construction

ELECTRIC MOTOR DRIVE

Section	CC
Page	160.1
Date	March 4, 2013
Supersedes 01/01/04	

Table I

B/M No.	HP	PH	RPM	"U" Dim.	Imp. Dia.	Imp. No.
B51696	1	1	1800	7/8"	5.12"	M07652
B51700	1	3	1800	7/8"	5.12"	M07652
B51697	1.5	1	1800	7/8"	5.75"	M07653
B51701	1.5	3	1800	7/8"	5.75"	M07653
B53811	2	1	1800	7/8"	6.25"	M07654
B51702	2	3	1800	7/8"	6.25"	M07654
B69868	3	1	1800	7/8"	6.50"	M02959
B53813	3	3	1800	7/8"	6.50"	M02959



1737 0495

Item No.	Part Description	Part Number
1	Case, Volute	L01104
2	Impeller	See Table I
13	Rings, Packing (Set of 6)	S13469
14	Sleeve, Shaft (2 Req.)	S00619
17	Gland, Packing	B82469
26	Screw, Impeller 3/8 - 16 x 1"	S23566
32	Key, 3/16 x 1-1/4" (See Note)	S34383
69	Washer, Impeller	S06314
71	Bracket	See Table II
73	Gasket, Volute	S04757
800	Capscrew, 3/8 - 16 x 7/8" (4 Req.)	S26825
801A	Stud, 1/2 - 13 x 1-1/2" (4 Req.)	S24043
801B	Stud, 3/8 - 16 x 4" (2 Req.)	S08303
802A	Nut, Hex 1/2 - 13 (4 Req.)	S23107
802B	Nut, Hex 3/8 - 16 (2 Req.)	S23343
805	Washer, Lock	S23706
810	Plug, Pipe 1/4 NPT (5 Req.)	S23715

Table II

HP	PH	Bracket No.	"AK" Fit	"U" Dim.	Motor Frame
1	1	L01525	4-1/2"	7/8"	143JP
1	3	L01525	4-1/2"	7/8"	143JP
1.5	1	L01525	4-1/2"	7/8"	145JP
1.5	3	L01525	4-1/2"	7/8"	145JP
2	1	L01525	4-1/2"	7/8"	182JP
2	3	L01525	4-1/2"	7/8"	145JP
3	1	L01525	4-1/2"	7/8"	184JP
3	3	L01525	4-1/2"	7/8"	182JP

NOTE: For an explanation of the tabulated material found on this page and for impeller key location, refer to **Supplement A** located at the beginning of this section.



BERKELEY® B3TPM

Cast Iron Impeller

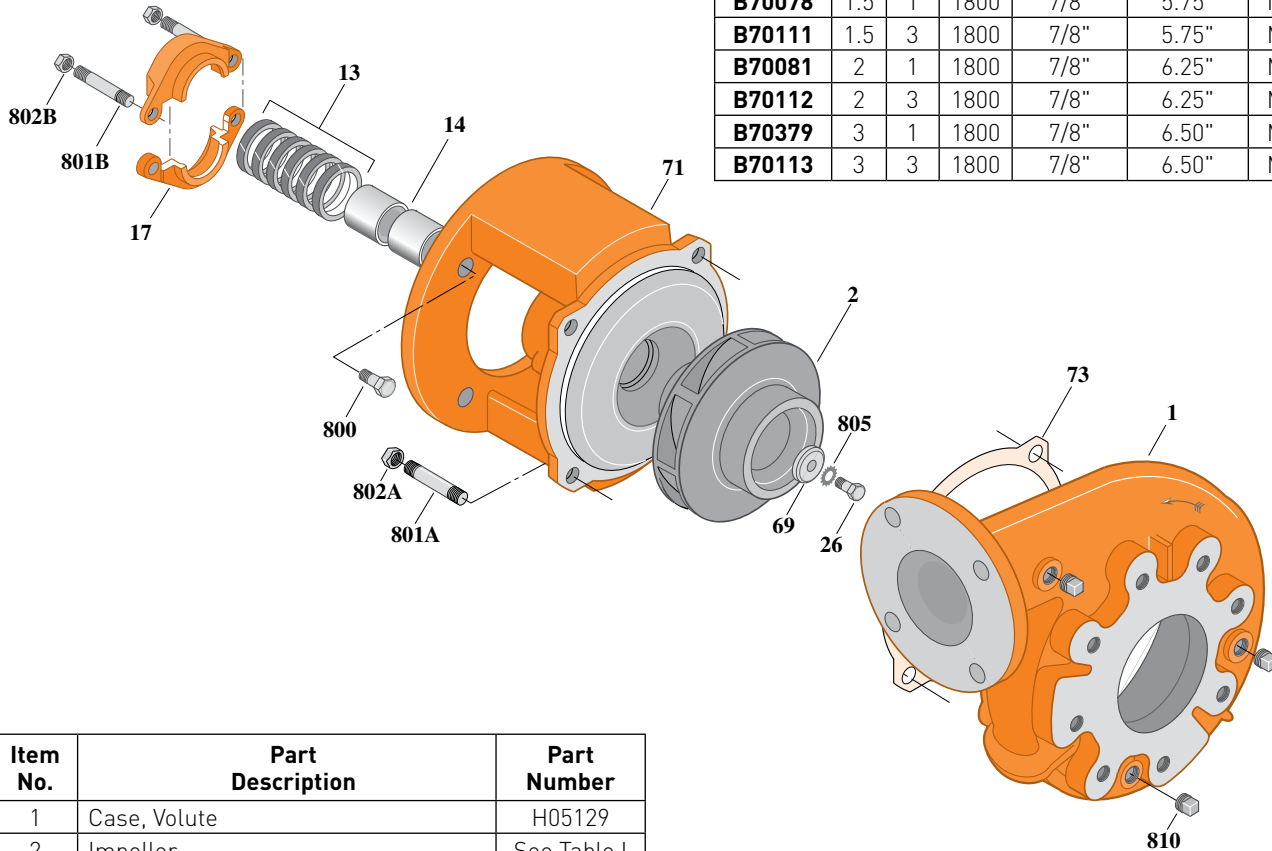
Flanged Case, Packing Construction

ELECTRIC MOTOR DRIVE

Section	CC
Page	160.2
Date	March 4, 2013
Supersedes 01/01/04	

Table I

B/M No.	HP	PH	RPM	"U" Dim.	Imp. Dia.	Imp. No.
B70074	1	1	1800	7/8"	5.12"	M07652
B70110	1	3	1800	7/8"	5.12"	M07652
B70078	1.5	1	1800	7/8"	5.75"	M07653
B70111	1.5	3	1800	7/8"	5.75"	M07653
B70081	2	1	1800	7/8"	6.25"	M07654
B70112	2	3	1800	7/8"	6.25"	M07654
B70379	3	1	1800	7/8"	6.50"	M02959
B70113	3	3	1800	7/8"	6.50"	M02959



1739 0495

Item No.	Part Description	Part Number
1	Case, Volute	H05129
2	Impeller	See Table I
13	Rings, Packing (Set of 6)	S13469
14	Sleeve, Shaft (2 Req.)	S00619
17	Gland, Packing	B82469
26	Screw, Impeller 3/8 - 16 x 1"	S23566
32	Key, 3/16 x 1-1/4" (See Note)	S34383
69	Washer, Impeller	S06314
71	Bracket	See Table II
73	Gasket, Volute	S04757
800	Capscrew, 3/8 - 16 x 7/8" (4 Req.)	S26825
801A	Stud, 1/2 - 13 x 1-1/2" (4 Req.)	S24043
801B	Stud, 3/8 - 16 x 4" (2 Req.)	S08303
802A	Nut, Hex 1/2 - 13 (4 Req.)	S23107
802B	Nut, Hex 3/8 - 16 (2 Req.)	S23343
805	Washer, Lock	S23036
810	Plug, Pipe 1/4 NPT	S23715

Table II

HP	PH	Bracket No.	"AK" Fit	"U" Dim.	Motor Frame
1	1	L01525	4-1/2"	7/8"	143JP
1	3	L01525	4-1/2"	7/8"	143JP
1.5	1	L01525	4-1/2"	7/8"	145JP
1.5	3	L01525	4-1/2"	7/8"	145JP
2	1	L01525	4-1/2"	7/8"	182JP
2	3	L01525	4-1/2"	7/8"	145JP
3	1	L01525	4-1/2"	7/8"	184JP
3	3	L01525	4-1/2"	7/8"	182JP

NOTE: For an explanation of the tabulated material found on this page and for impeller key location, refer to **Supplement A** located at the beginning of this section.



BERKELEY® B3TPM

Cast Iron Impeller

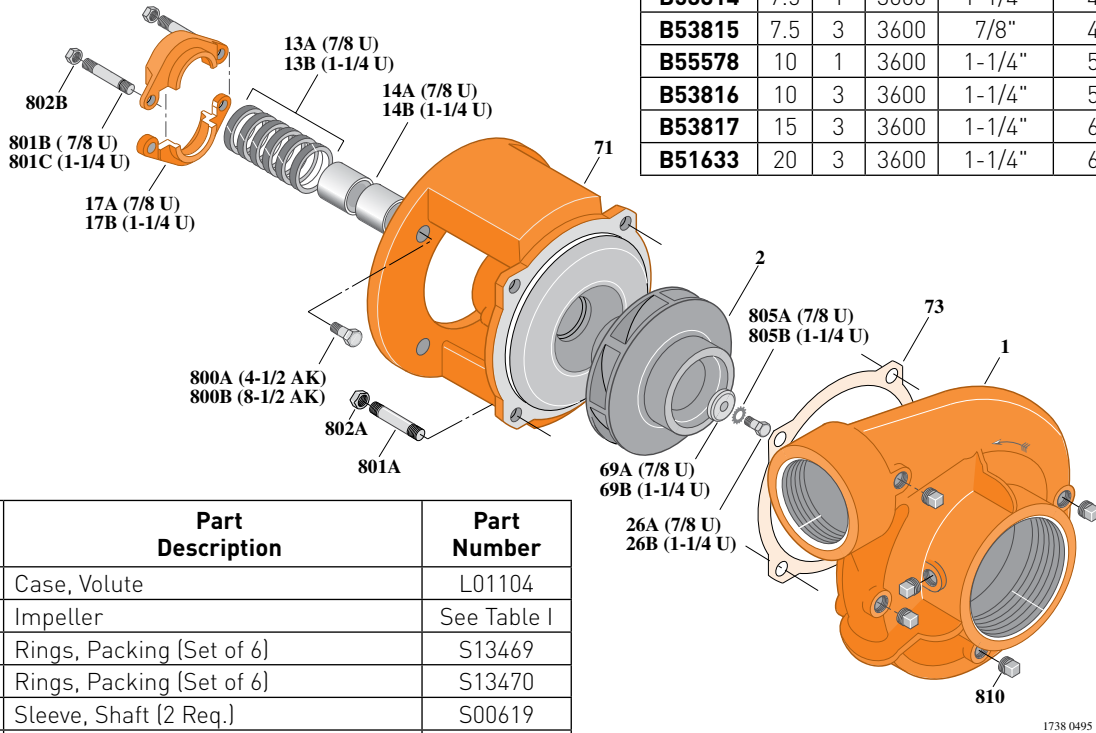
Threaded Case (NPT), Packing Construction

ELECTRIC MOTOR DRIVE

Section	CC
Page	160.3
Date	March 4, 2013
Supersedes 01/01/04	

Table I

B/M No.	HP	PH	RPM	"U" Dim.	Imp. Dia.	Imp. No.
B53814	7.5	1	3600	1-1/4"	4.94"	M07647
B53815	7.5	3	3600	7/8"	4.94"	M07651
B55578	10	1	3600	1-1/4"	5.38"	M07648
B53816	10	3	3600	1-1/4"	5.38"	M07648
B53817	15	3	3600	1-1/4"	6.12"	M07649
B51633	20	3	3600	1-1/4"	6.50"	M02960



Item No.	Part Description	Part Number
1	Case, Volute	L01104
2	Impeller	See Table I
13A	Rings, Packing [Set of 6]	S13469
13B	Rings, Packing [Set of 6]	S13470
14A	Sleeve, Shaft [2 Req.]	S00619
14B	Sleeve, Shaft	S05149
17A	Gland, Packing	B82469
17B	Gland, Packing	B82470
26A	Screw, Impeller 3/8 - 16 x 1"	S23566
26B	Screw, Impeller 1/2 - 13 x 1"	S23619
32A	Key, 3/16 x 1-1/4" [See Note]	S34383
32B	Key, 1/4 x 2-1/4" [See Note]	S23677
69A	Washer, Impeller	S06314
69B	Washer, Impeller	S06319
71	Bracket	See Table II
73	Gasket, Volute	S04757
800A	Capscrew, 3/8 - 16 x 7/8" [4 Req.]	S26825
800B	Capscrew, 1/2 - 13 x 1" [4 Req.]	S26912
801A	Stud, 1/2 - 13 x 1-1/2" [4 Req.]	S23043
801B	Stud, 3/8 - 16 x 4" [2 Req.]	S08303
801C	Stud, 3/8 - 16 x 3-1/2" [2 Req.]	S04441
802A	Nut, Hex 1/2 - 13 [4 Req.]	S23107
802B	Nut, Hex 3/8 - 16 [2 Req.]	S23343
805A	Washer, Lock	S23036
805B	Washer, Lock	S23038
810	Plug, Pipe 1/4 NPT [5 Req.]	S23715

Table II

HP	PH	Bracket No.	"AK" Fit	"U" Dim.	Motor Frame
7.5	1	L01951	8-1/2"	1-1/4"	213JP
7.5	3	L01525	4-1/2"	7/8"	184JP
10	1	L01951	8-1/2"	1-1/4"	215JP
10	3	L01951	8-1/2"	1-1/4"	213JP
15	3	L01951	8-1/2"	1-1/4"	215JP
20	3	L01951	8-1/2"	1-1/4"	254JP

NOTE: For an explanation of the tabulated material found on this page and for impeller key location, refer to **Supplement A** located at the beginning of this section.



BERKELEY® B3TPM

Cast Iron Impeller

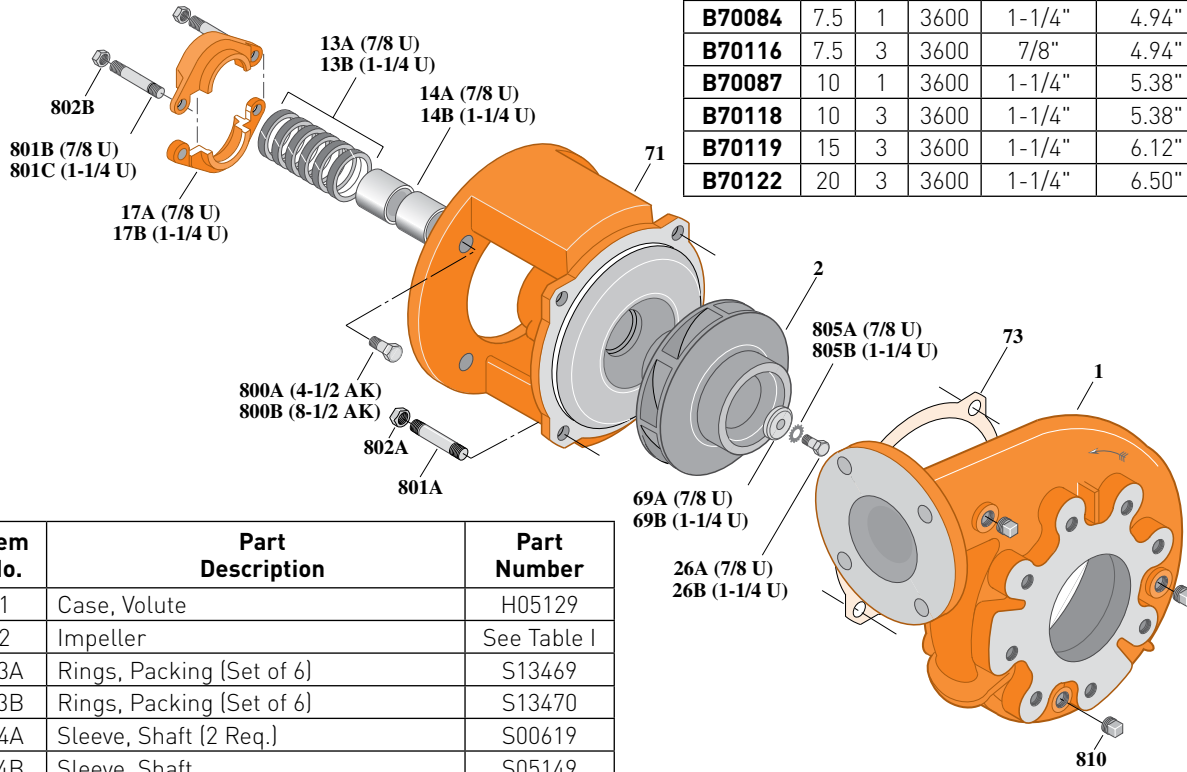
Flanged Case, Packing Construction

ELECTRIC MOTOR DRIVE

Section	CC
Page	160.4
Date	March 4, 2013
Supersedes 01/01/04	

Table I

B/M No.	HP	PH	RPM	"U" Dim.	Imp. Dia.	Imp. No.
B70084	7.5	1	3600	1-1/4"	4.94"	M07647
B70116	7.5	3	3600	7/8"	4.94"	M07651
B70087	10	1	3600	1-1/4"	5.38"	M07648
B70118	10	3	3600	1-1/4"	5.38"	M07648
B70119	15	3	3600	1-1/4"	6.12"	M07649
B70122	20	3	3600	1-1/4"	6.50"	M02960



Item No.	Part Description	Part Number
1	Case, Volute	H05129
2	Impeller	See Table I
13A	Rings, Packing [Set of 6]	S13469
13B	Rings, Packing [Set of 6]	S13470
14A	Sleeve, Shaft [2 Req.]	S00619
14B	Sleeve, Shaft	S05149
17A	Gland, Packing	B82469
17B	Gland, Packing	B82470
26A	Screw, Impeller 3/8 - 16 x 1"	S23566
26B	Screw, Impeller 1/2 - 13 x 1"	S23619
32A	Key, 3/16 x 1-1/4" [See Note]	S34383
32B	Key, 1/4 x 2-1/4" [See Note]	S23677
69A	Washer, Impeller	S06314
69B	Washer, Impeller	S06919
71	Bracket	See Table II
73	Gasket, Volute	S04757
800A	Capscrew, 3/8 - 16 x 7/8" [4 Req.]	S26825
800B	Capscrew, 1/2 - 13 x 1" [4 Req.]	S26912
801A	Stud, 1/2 - 13 x 1-1/2" [4 Req.]	S24043
801B	Stud, 3/8 - 16 x 4" [2 Req.]	S08303
801C	Stud, 3/8 - 16 x 3-1/2" [2 Req.]	S04441
802A	Nut, Hex 1/2 - 13 [4 Req.]	S23107
802B	Nut, Hex 3/8 - 16 [2 Req.]	S23343
805A	Washer, Lock	S23036
805B	Washer, Lock	S23038
810	Plug, Pipe 1/4 NPT [5 Req.]	S23715

Table II

HP	PH	Bracket No.	"AK" Fit	"U" Dim.	Motor Frame
7.5	1	L01951	8-1/2"	1-1/4"	213JP
7.5	3	L01525	4-1/2"	7/8"	184JP
10	1	L01951	8-1/2"	1-1/4"	215JP
10	3	L01951	8-1/2"	1-1/4"	213JP
15	3	L01951	8-1/2"	1-1/4"	215JP
20	3	L01951	8-1/2"	1-1/4"	254JP

NOTE: For an explanation of the tabulated material found on this page and for impeller key location, refer to **Supplement A** located at the beginning of this section.



BERKELEY® B3TPMS

Cast Iron Impeller

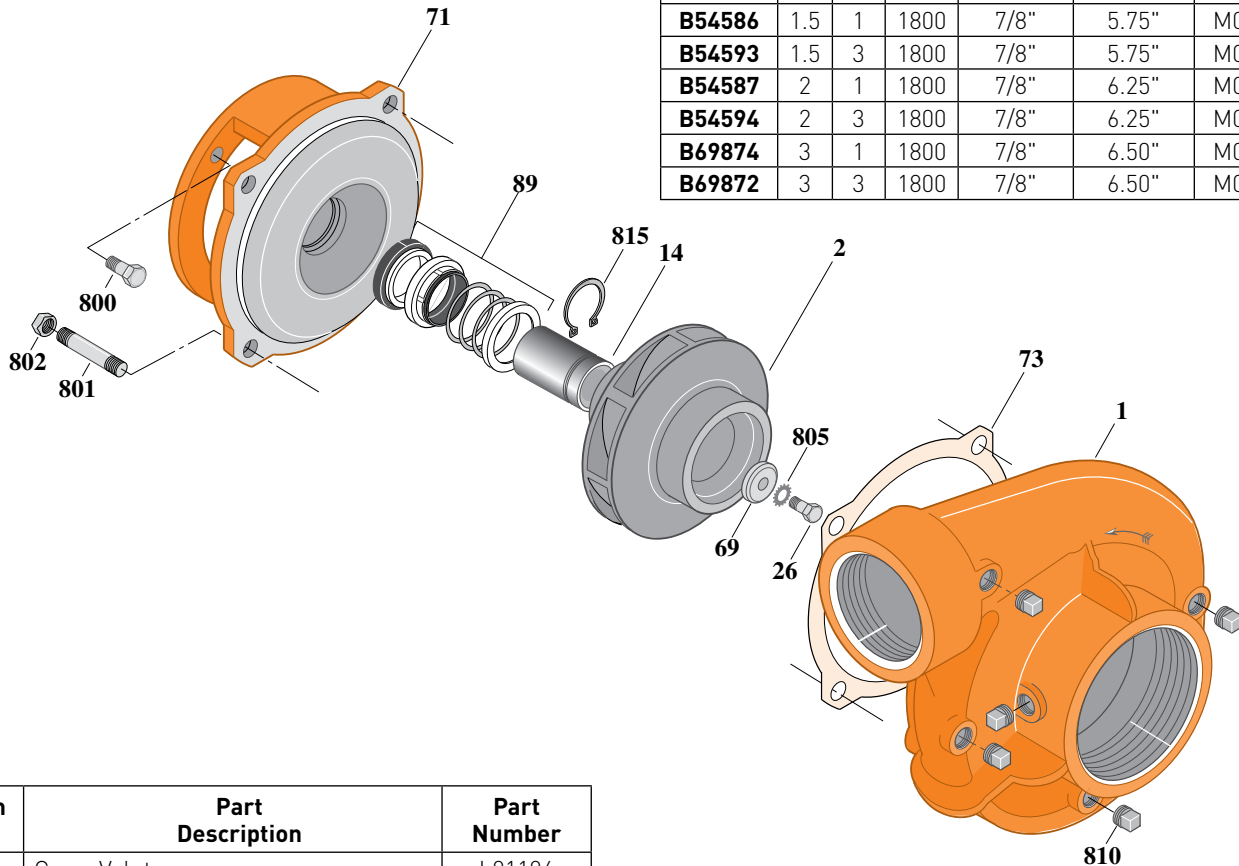
Threaded Case (NPT), Mechanical Shaft Seal Construction

ELECTRIC MOTOR DRIVE

Section	CC
Page	160.5
Date	March 4, 2013
Supersedes 01/01/04	

Table I

B/M No.	HP	PH	RPM	"U" Dim.	Imp. Dia.	Imp. No.
B54585	1	1	1800	7/8"	5.12"	M07652
B54592	1	3	1800	7/8"	5.12"	M07652
B54586	1.5	1	1800	7/8"	5.75"	M07653
B54593	1.5	3	1800	7/8"	5.75"	M07653
B54587	2	1	1800	7/8"	6.25"	M07654
B54594	2	3	1800	7/8"	6.25"	M07654
B69874	3	1	1800	7/8"	6.50"	M02959
B69872	3	3	1800	7/8"	6.50"	M02959



1481 0195

Item No.	Part Description	Part Number
1	Case, Volute	L01104
2	Impeller	See Table I
14	Sleeve, Shaft	S19310
26	Screw, Impeller 3/8 - 16 x 1"	S23566
32	Key, 3/16 x 1-1/4" (See Note)	S34383
69	Washer, Impeller	S06314
71	Bracket	See Table II
73	Gasket, Volute	S04757
89	Seal, Mechanical Shaft	S32014
800	Capscrew, 3/8 - 16 x 1" (4 Req.) (For 4-1/2 AK)	S26826
801	Stud, 1/2 - 13 x 1-1/2" (4 Req.)	S24043
802	Nut, 1/2 - 13 (4 Req.)	S23107
805	Washer, Lock	S23036
810	Plug, Pipe 1/4 NPT (5 Req.)	S23715
815	Ring, Retaining	S11207

Table II

HP	PH	Bracket No.	"AK" Fit	"U" Dim.	Motor Frame
1	1	L05329	4-1/2"	7/8"	143JM
1	3	L05329	4-1/2"	7/8"	143JM
1.5	1	L05329	4-1/2"	7/8"	145JM
1.5	3	L05329	4-1/2"	7/8"	145JM
2	1	L05329	4-1/2"	7/8"	182JM
2	3	L05329	4-1/2"	7/8"	145JM
3	1	L05329	4-1/2"	7/8"	184JM
3	3	L05329	4-1/2"	7/8"	182JM

NOTE: For an explanation of the tabulated material found on this page and for impeller key location, refer to **Supplement A** located at the beginning of this section.



BERKELEY® B3TPMS

Cast Iron Impeller

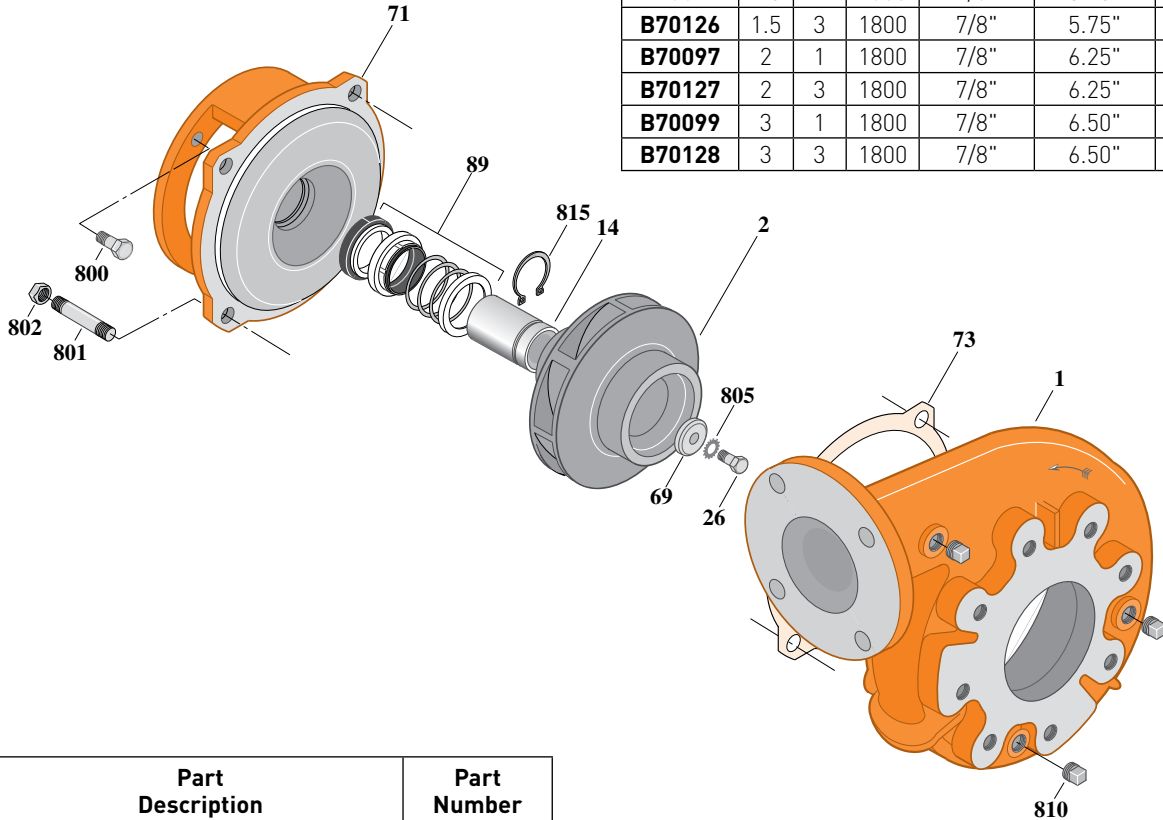
Flanged Case, Mechanical Shaft Seal Construction

ELECTRIC MOTOR DRIVE

Section	CC
Page	160.6
Date	March 4, 2013
Supersedes 01/01/04	

Table I

B/M No.	HP	PH	RPM	"U" Dim.	Imp. Dia.	Imp. No.
B70090	1	1	1800	7/8"	5.12"	M07652
B70125	1	3	1800	7/8"	5.12"	M07652
B70092	1.5	1	1800	7/8"	5.75"	M07653
B70126	1.5	3	1800	7/8"	5.75"	M07653
B70097	2	1	1800	7/8"	6.25"	M07654
B70127	2	3	1800	7/8"	6.25"	M07654
B70099	3	1	1800	7/8"	6.50"	M02959
B70128	3	3	1800	7/8"	6.50"	M02959



1482 0195

Item No.	Part Description	Part Number
1	Case, Volute	H05129
2	Impeller	See Table I
14	Sleeve, Shaft	S19310L
26	Screw, Impeller 3/8 - 16 x 1"	S23566
32	Key, 3/16 x 1-1/4" (See Note)	S34383
69	Washer, Impeller	S06314
71	Bracket	See Table II
73	Gasket, Volute	S04757
89	Seal, Mechanical Shaft	S32014
800	Capscrew, 3/8 - 16 x 1" (4 Req.) (For 4-1/2 AK)	S26826
801	Stud, 1/2 - 13 x 1-1/2" (4 Req.)	S24043
802	Nut, 1/2 - 13 (4 Req.)	S23107
805	Washer, Lock	S23036
810	Plug, Pipe 1/4 NPT (5 Req.)	S23715
815	Ring, Retaining	S11207

Table II

HP	PH	Bracket No.	"AK" Fit	"U" Dim.	Motor Frame
1	1	L05329	4-1/2"	7/8"	143JM
1	3	L05329	4-1/2"	7/8"	143JM
1.5	1	L05329	4-1/2"	7/8"	145JM
1.5	3	L05329	4-1/2"	7/8"	145JM
2	1	L05329	4-1/2"	7/8"	182JM
2	3	L05329	4-1/2"	7/8"	145JM
3	1	L05329	4-1/2"	7/8"	184JM
3	3	L05329	4-1/2"	7/8"	182JM

NOTE: For an explanation of the tabulated material found on this page and for impeller key location, refer to **Supplement A** located at the beginning of this section.



BERKELEY® B3TPMS

Cast Iron Impeller

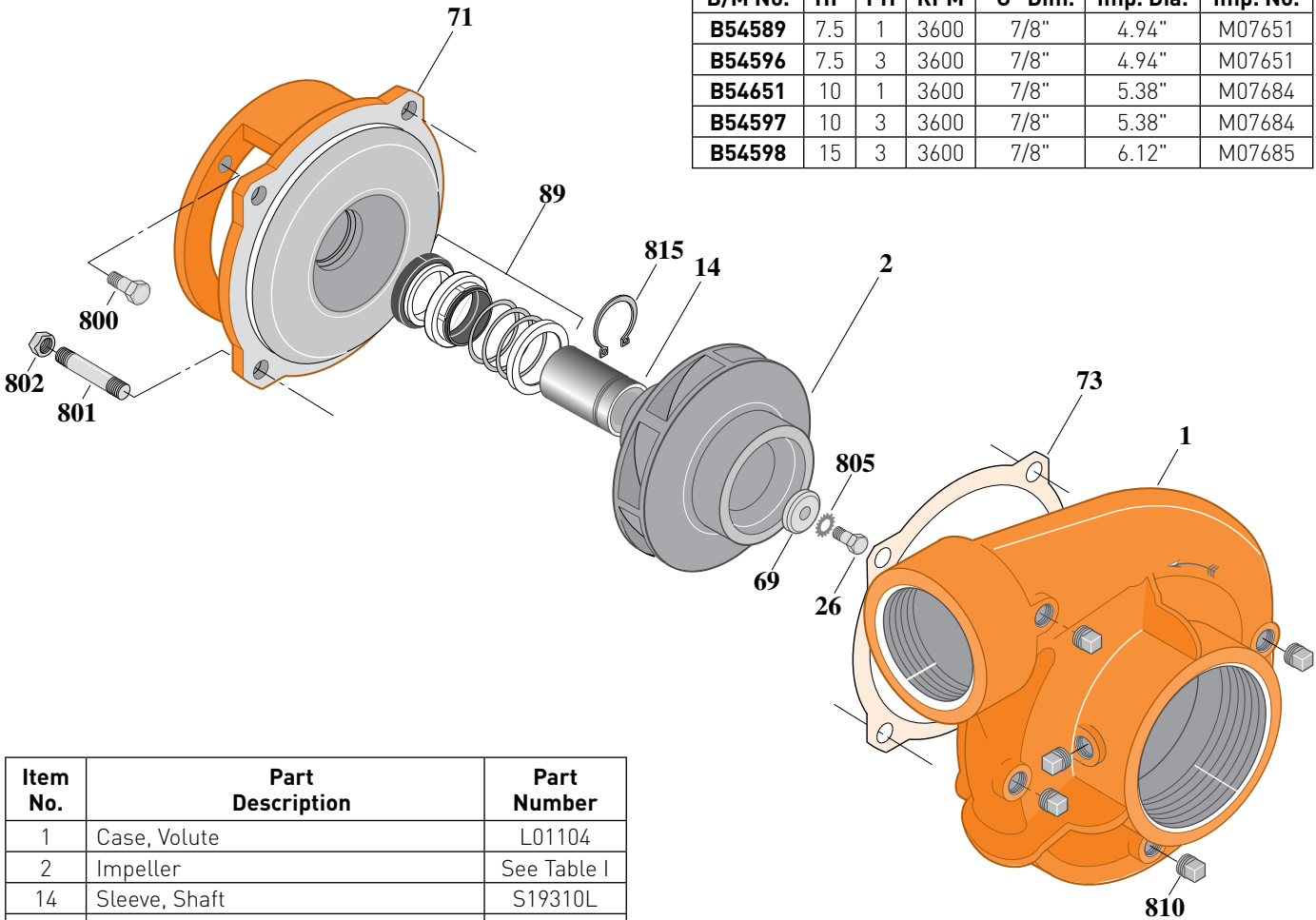
Threaded Case (NPT), Mechanical Shaft Seal Construction

ELECTRIC MOTOR DRIVE

Section	CC
Page	160.7
Date	March 4, 2013
Supersedes 01/01/04	

Table I

B/M No.	HP	PH	RPM	"U" Dim.	Imp. Dia.	Imp. No.
B54589	7.5	1	3600	7/8"	4.94"	M07651
B54596	7.5	3	3600	7/8"	4.94"	M07651
B54651	10	1	3600	7/8"	5.38"	M07684
B54597	10	3	3600	7/8"	5.38"	M07684
B54598	15	3	3600	7/8"	6.12"	M07685



1481 0195

Item No.	Part Description	Part Number
1	Case, Volute	L01104
2	Impeller	See Table I
14	Sleeve, Shaft	S19310L
26	Screw, Impeller 3/8 - 16 x 1"	S23566
32	Key, 3/16 x 1-1/4" [See Note]	S34383
69	Washer, Impeller	S06314
71	Bracket	See Table II
73	Gasket, Volute	S04757
89	Seal, Mechanical Shaft	S32014
800	Capscrew, 3/8 - 16 x 1" [4 Req.] [For 4-1/2 AK]	S26826
800	Capscrew, 1/2 - 13 x 1" [4 Req.] [For 8-1/2 AK]	S26912
801	Stud, 1/2 - 13 x 1-1/2" [4 Req.]	S24043
802	Nut, 1/2 - 13 [4 Req.]	S23107
805	Washer, Lock	S23036
810	Plug, Pipe 1/4 NPT [5 Req.]	S23715
815	Ring, Retaining	S11207

Table II

HP	PH	Bracket No.	"AK" Fit	"U" Dim.	Motor Frame
7.5	1	L05328	8-1/2"	7/8"	213JM
7.5	3	L05329	4-1/2"	7/8"	184JM
10	1	L05328	8-1/2"	7/8"	215JM
10	3	L05328	8-1/2"	7/8"	213JM
15	3	L05328	8-1/2"	7/8"	215JM

NOTE: For an explanation of the tabulated material found on this page and for impeller key location, refer to **Supplement A** located at the beginning of this section.



BERKELEY® B3TPMS

Cast Iron Impeller

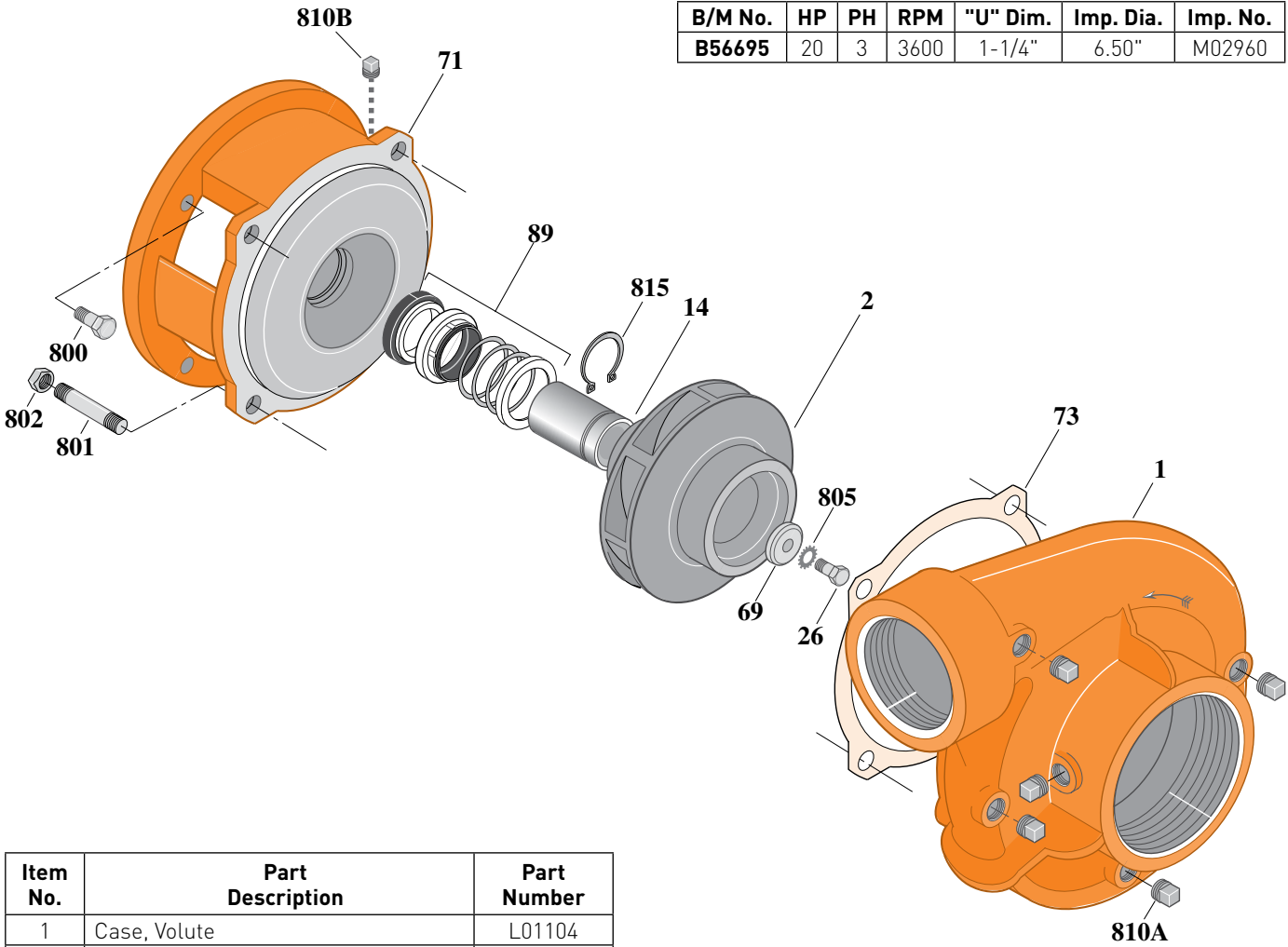
Threaded Case (NPT), Mechanical Shaft Seal Construction

ELECTRIC MOTOR DRIVE

Section	CC
Page	160.8
Date	March 4, 2013
Supersedes 01/01/04	

Table I

B/M No.	HP	PH	RPM	"U" Dim.	Imp. Dia.	Imp. No.
B56695	20	3	3600	1-1/4"	6.50"	M02960



1490 0195

Item No.	Part Description	Part Number
1	Case, Volute	L01104
2	Impeller	See Table I
14	Sleeve, Shaft	S18869
26	Screw, Impeller 1/2 - 13 x 1"	S23619
32	Key, 1/4 x 2-1/4" (See Note)	S23677
69	Washer, Impeller	S06319
71	Bracket	See Table II
73	Gasket, Volute	S04757
89	Seal, Mechanical Shaft	S32015
800	Capscrew, 1/2 - 13 x 1" [4 Req.]	S26912
801	Stud, 1/2 - 13 x 1-1/2" [4 Req.]	S24043
802	Nut, 1/2 - 13 [4 Req.]	S23107
805	Washer, Lock	S23038
810	Plug, Pipe [5 Req.]	S23715
815	Ring, Retaining	S16767

Table II

HP	PH	Bracket No.	"AK" Fit	"U" Dim.	Motor Frame
20	3	L05779	8-1/2"	1-1/4"	254JM

NOTE: For an explanation of the tabulated material found on this page and for impeller key location, refer to **Supplement A** located at the beginning of this section.



BERKELEY® B3TPMS

Cast Iron Impeller

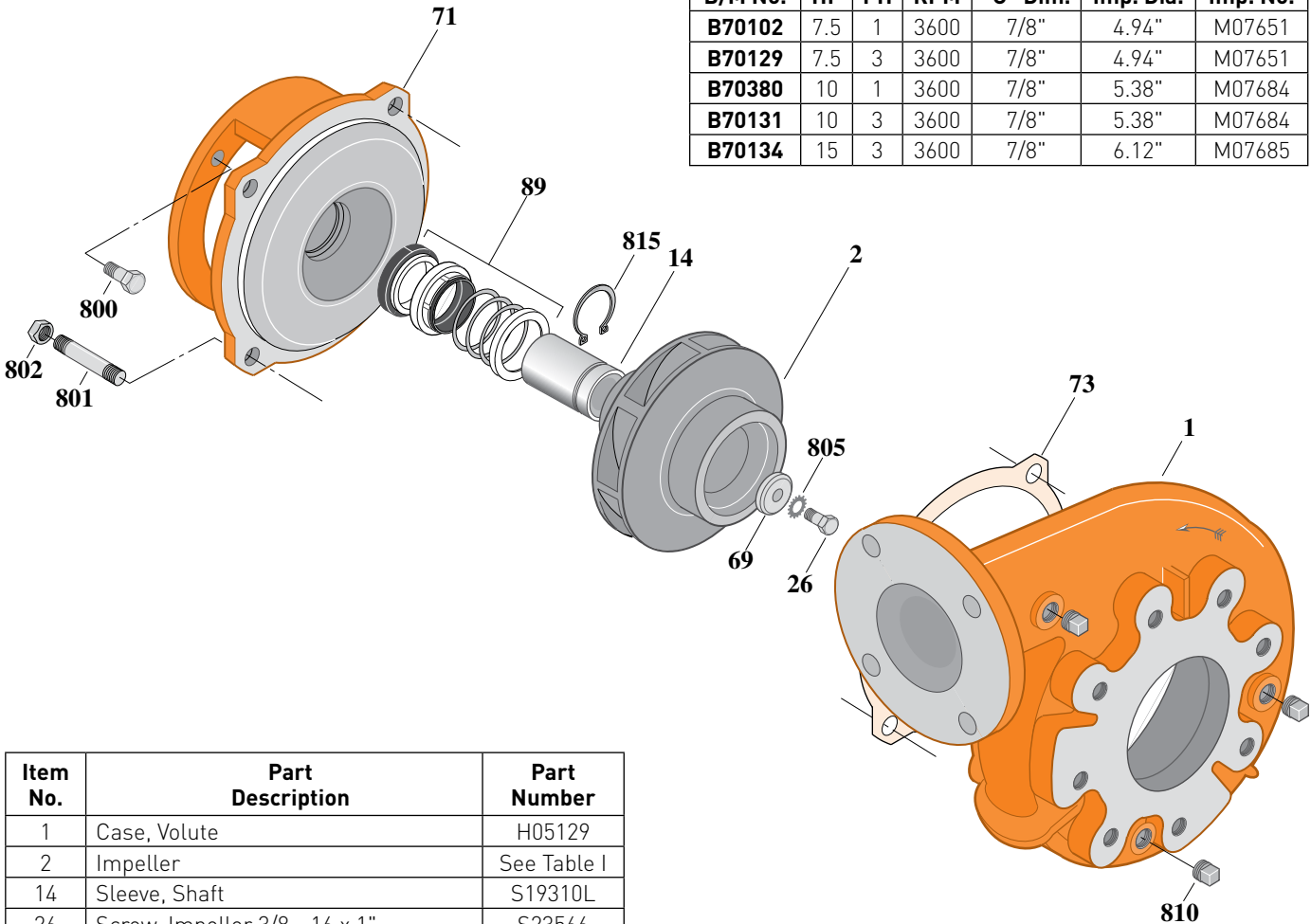
Flanged Case, Mechanical Shaft Seal Construction

ELECTRIC MOTOR DRIVE

Section	CC
Page	160.9
Date	March 4, 2013
Supersedes 01/01/04	

Table I

B/M No.	HP	PH	RPM	"U" Dim.	Imp. Dia.	Imp. No.
B70102	7.5	1	3600	7/8"	4.94"	M07651
B70129	7.5	3	3600	7/8"	4.94"	M07651
B70380	10	1	3600	7/8"	5.38"	M07684
B70131	10	3	3600	7/8"	5.38"	M07684
B70134	15	3	3600	7/8"	6.12"	M07685



1482 0195

Item No.	Part Description	Part Number
1	Case, Volute	H05129
2	Impeller	See Table I
14	Sleeve, Shaft	S19310L
26	Screw, Impeller 3/8 - 16 x 1"	S23566
32	Key, 3/16 x 1-1/4" [See Note]	S34383
40	Washer, Impeller	S06314
71	Bracket	See Table II
73	Gasket, Volute	S04757
89	Seal, Mechanical Shaft	S32014
800	Cap screw, 3/8 - 16 x 1" [4 Req.] [For 4-1/2 AK]	S26826
800	Cap screw, 1/2 - 13 x 1" [4 Req.] [For 8-1/2 AK]	S26912
801	Stud, 1/2 - 13 x 1-1/2" [4 Req.]	S24043
802	Nut, 1/2 - 13 [4 Req.]	S23107
805	Washer, Lock	S23036
810	Plug, Pipe 1/4 NPT [5 Req.]	S23715
815	Ring, Retaining	S11207

Table II

HP	PH	Bracket No.	"AK" Fit	"U" Dim.	Motor Frame
7.5	1	L05328	8-1/2"	7/8"	213JM
7.5	3	L05329	4-1/2"	7/8"	184JM
10	1	L05328	8-1/2"	7/8"	215JM
10	3	L05328	8-1/2"	7/8"	213JM
15	3	L05328	8-1/2"	7/8"	215JM

NOTE: For an explanation of the tabulated material found on this page and for impeller key location, refer to **Supplement A** located at the beginning of this section.



BERKELEY® B3TPMS

Cast Iron Impeller

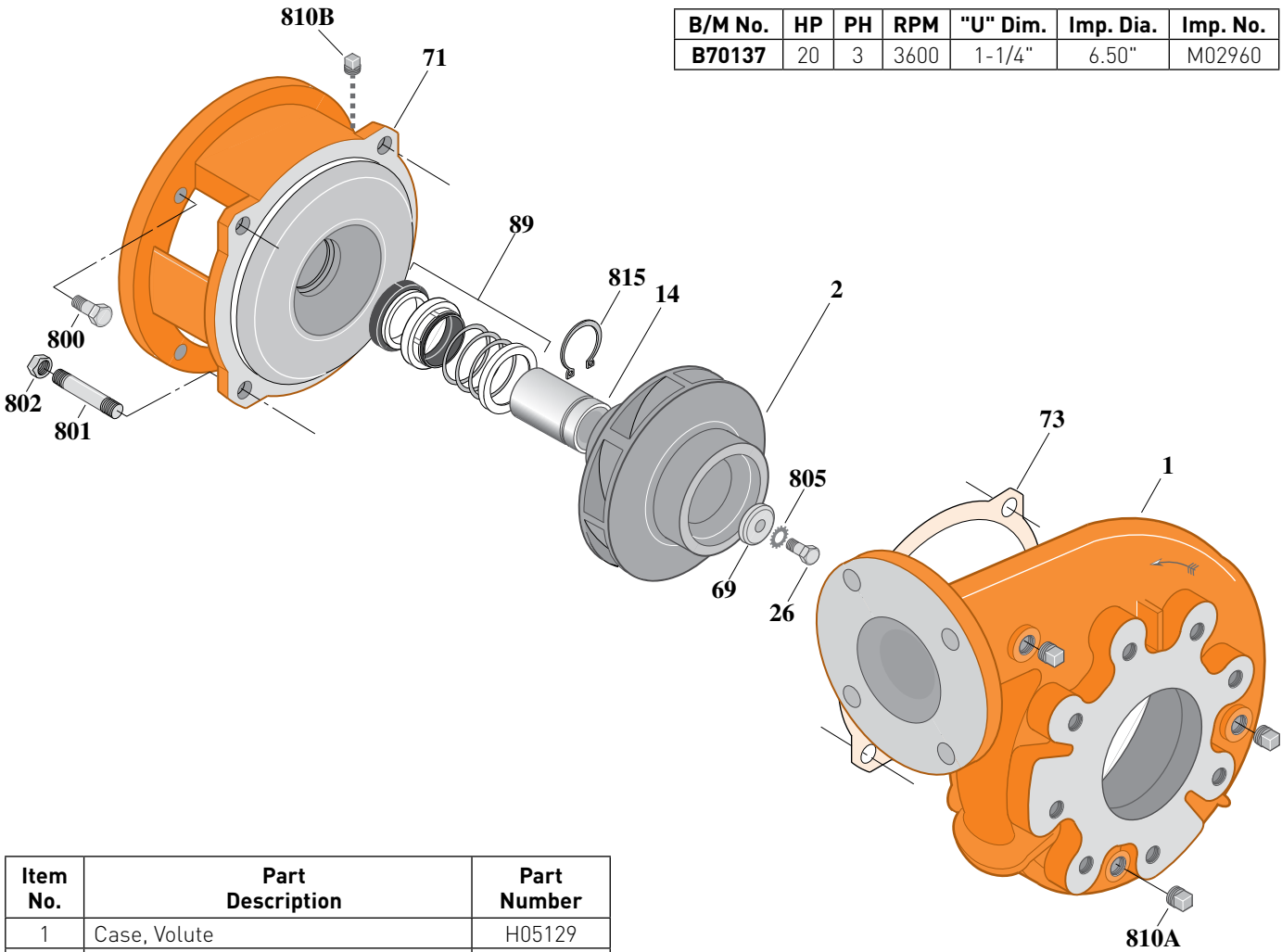
Flanged Case, Mechanical Shaft Seal Construction

ELECTRIC MOTOR DRIVE

Section	CC
Page	160.10
Date	March 4, 2013
Supersedes 01/01/04	

Table I

B/M No.	HP	PH	RPM	"U" Dim.	Imp. Dia.	Imp. No.
B70137	20	3	3600	1-1/4"	6.50"	M02960



Item No.	Part Description	Part Number
1	Case, Volute	H05129
2	Impeller	See Table I
14	Sleeve, Shaft	S18869
26	Screw, Impeller 1/2 - 13 x 1"	S23619
32	Key, 1/4 x 2-1/4" (See Note)	S23677
69	Washer, Impeller	S06319
71	Bracket	See Table II
73	Gasket, Volute	S04757
89	Seal, Mechanical Shaft	S32015
800	Cap screw, 1/2 - 13 x 1" [4 Req.]	S26912
801	Stud, 1/2 - 13 x 1-1/2" [4 Req.]	S24043
802	Nut, 1/2 - 13 [4 Req.]	S23107
805	Washer, Lock	S23038
810	Plug, Pipe [5 Req.]	S23715
815	Ring, Retaining	S16767

Table II

HP	PH	Bracket No.	"AK" Fit	"U" Dim.	Motor Frame
20	3	L05779	8-1/2"	1-1/4"	254JM

NOTE: For an explanation of the tabulated material found on this page and for impeller key location, refer to **Supplement A** located at the beginning of this section.



BERKELEY® B3TPM

Bronze Impeller

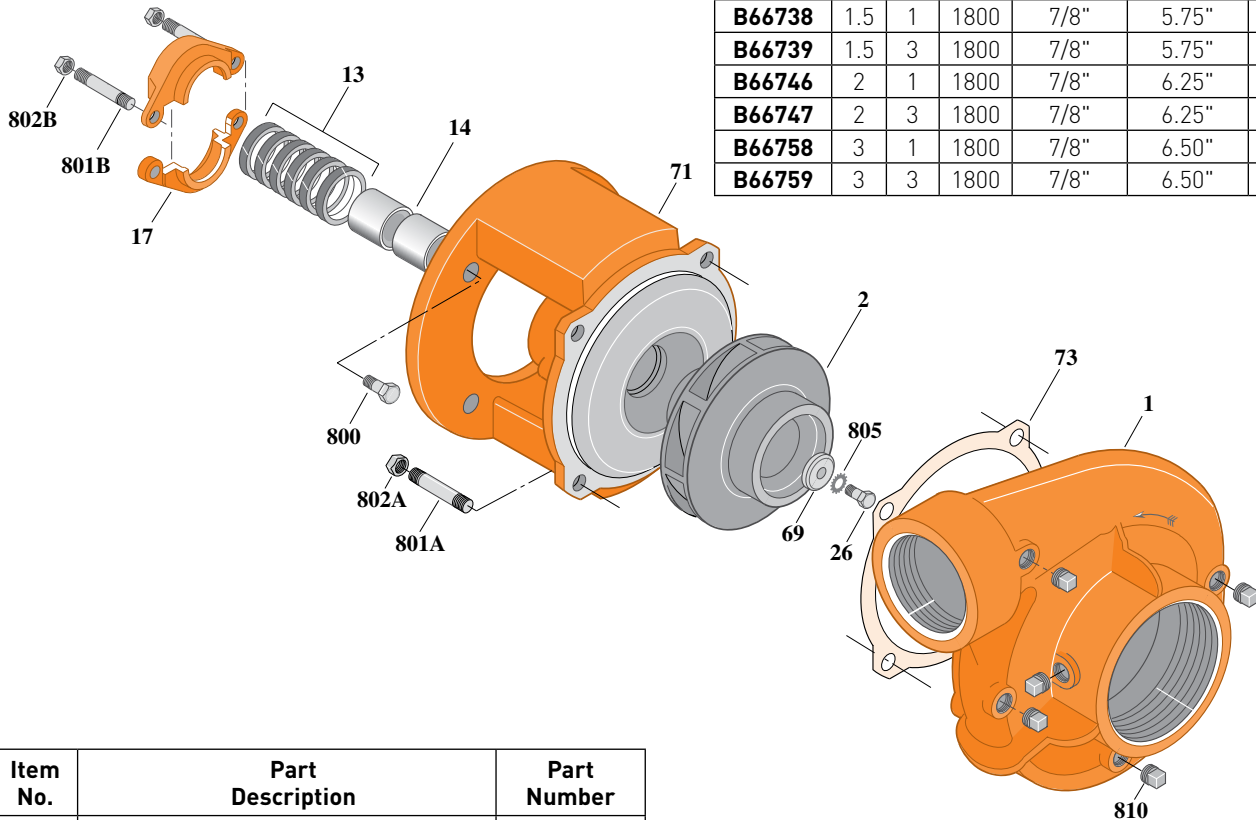
Threaded Case (NPT), Packing Construction

ELECTRIC MOTOR DRIVE

Section	CC
Page	160.11
Date	March 4, 2013
Supersedes 01/01/04	

Table I

B/M No.	HP	PH	RPM	"U" Dim.	Imp. Dia.	Imp. No.
B66730	1	1	1800	7/8"	5.12"	L06634
B66731	1	3	1800	7/8"	5.12"	L06634
B66738	1.5	1	1800	7/8"	5.75"	L06635
B66739	1.5	3	1800	7/8"	5.75"	L06635
B66746	2	1	1800	7/8"	6.25"	L06636
B66747	2	3	1800	7/8"	6.25"	L06636
B66758	3	1	1800	7/8"	6.50"	L06657
B66759	3	3	1800	7/8"	6.50"	L06657



1737 0495

Item No.	Part Description	Part Number
1	Case, Volute	L01104
2	Impeller	See Table I
13	Rings, Packing (Set of 6)	S13469
14	Sleeve, Shaft (2 Req.)	S00619
17	Gland, Packing	B82469
26	Screw, Impeller 3/8 - 16 x 1"	S23566
32	Key, 3/16 x 1-1/4" (See Note)	S34383
69	Washer, Impeller	S06314
71	Bracket	See Table II
73	Gasket, Volute	S04757
800	Capscrew, 3/8 - 16 x 7/8" (4 Req.)	S26825
801A	Stud, 1/2 - 13 x 1-1/2" (4 Req.)	S24043
801B	Stud, 3/8 - 16 x 4" (2 Req.)	S08303
802A	Nut, Hex 1/2 - 13 (4 Req.)	S23107
802B	Nut, Hex 3/8 - 16 (2 Req.)	S23343
805	Washer, Lock	S23036
810	Plug, Pipe 1/4 NPT (5 Req.)	S23715

Table II

HP	PH	Bracket No.	"AK" Fit	"U" Dim.	Motor Frame
1	1	L01525	4-1/2"	7/8"	143JP
1	3	L01525	4-1/2"	7/8"	143JP
1.5	1	L01525	4-1/2"	7/8"	145JP
1.5	3	L01525	4-1/2"	7/8"	145JP
2	1	L01525	4-1/2"	7/8"	182JP
2	3	L01525	4-1/2"	7/8"	145JP
3	1	L01525	4-1/2"	7/8"	184JP
3	3	L01525	4-1/2"	7/8"	182JP

NOTE: For an explanation of the tabulated material found on this page and for impeller key location, refer to **Supplement A** located at the beginning of this section.



BERKELEY® B3TPM

Bronze Impeller

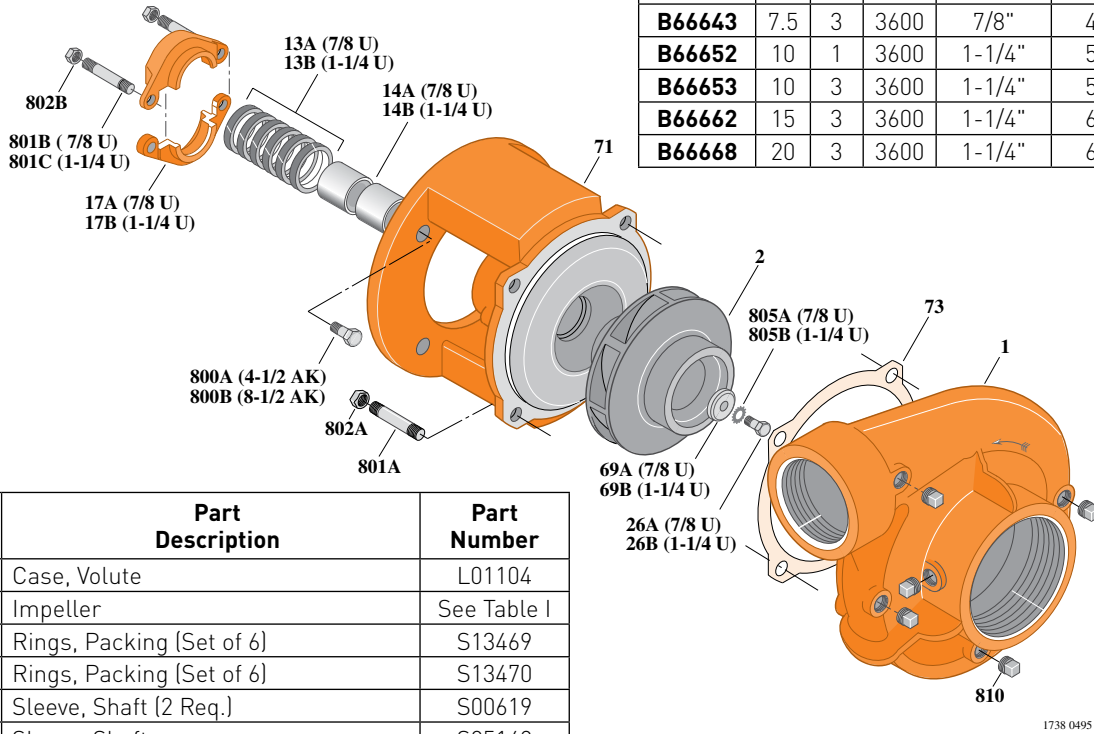
Threaded Case (NPT), Packing Construction

ELECTRIC MOTOR DRIVE

Section	CC
Page	160.12
Date	March 4, 2013
Supersedes 01/01/04	

Table I

B/M No.	HP	PH	RPM	"U" Dim.	Imp. Dia.	Imp. No.
B66642	7.5	1	3600	1-1/4"	4.94"	L06630
B66643	7.5	3	3600	7/8"	4.94"	L06633
B66652	10	1	3600	1-1/4"	5.38"	L06631
B66653	10	3	3600	1-1/4"	5.38"	L06631
B66662	15	3	3600	1-1/4"	6.12"	L06643
B66668	20	3	3600	1-1/4"	6.50"	L06658



Item No.	Part Description	Part Number
1	Case, Volute	L01104
2	Impeller	See Table I
13A	Rings, Packing [Set of 6]	S13469
13B	Rings, Packing [Set of 6]	S13470
14A	Sleeve, Shaft [2 Req.]	S00619
14B	Sleeve, Shaft	S05149
17A	Gland, Packing	B82469
17B	Gland, Packing	B82470
26A	Screw, Impeller 3/8 - 16 x 1"	S23566
26B	Screw, Impeller 1/2 - 13 x 1"	S23619
32A	Key, 3/16 x 1-1/4" [See Note]	S34383
32B	Key, 1/4 x 2-1/4" [See Note]	S23677
69A	Washer, Impeller	S06314
69B	Washer, Impeller	S06319
71	Bracket	See Table II
73	Gasket, Volute	S04757
800A	Capscrew, 3/8 - 16 x 7/8" [4 Req.]	S26825
800B	Capscrew, 1/2 - 13 x 1" [4 Req.]	S26912
801A	Stud, 1/2 - 13 x 1-1/2" [4 Req.]	S24043
801B	Stud, 3/8 - 16 x 4" [2 Req.]	S08303
801C	Stud, 3/8 - 16 x 3-1/2" [2 Req.]	S04441
802A	Nut, Hex 1/2 - 13 [4 Req.]	S23107
802B	Nut, Hex 3/8 - 16 [2 Req.]	S23343
805A	Washer, Lock	S23036
805B	Washer, Lock	S23038
810	Plug, Pipe 1/4 NPT [5 Req.]	S23715

Table II

HP	PH	Bracket No.	"AK" Fit	"U" Dim.	Motor Frame
7.5	1	L01951	8-1/2"	1-1/4"	213JP
7.5	3	L01525	4-1/2"	7/8"	184JP
10	1	L01951	8-1/2"	1-1/4"	215JP
10	3	L01951	8-1/2"	1-1/4"	213JP
15	3	L01951	8-1/2"	1-1/4"	215JP
20	3	L01951	8-1/2"	1-1/4"	254JP

NOTE: For an explanation of the tabulated material found on this page and for impeller key location, refer to **Supplement A** located at the beginning of this section.



BERKELEY® B3TPMS

Bronze Impeller

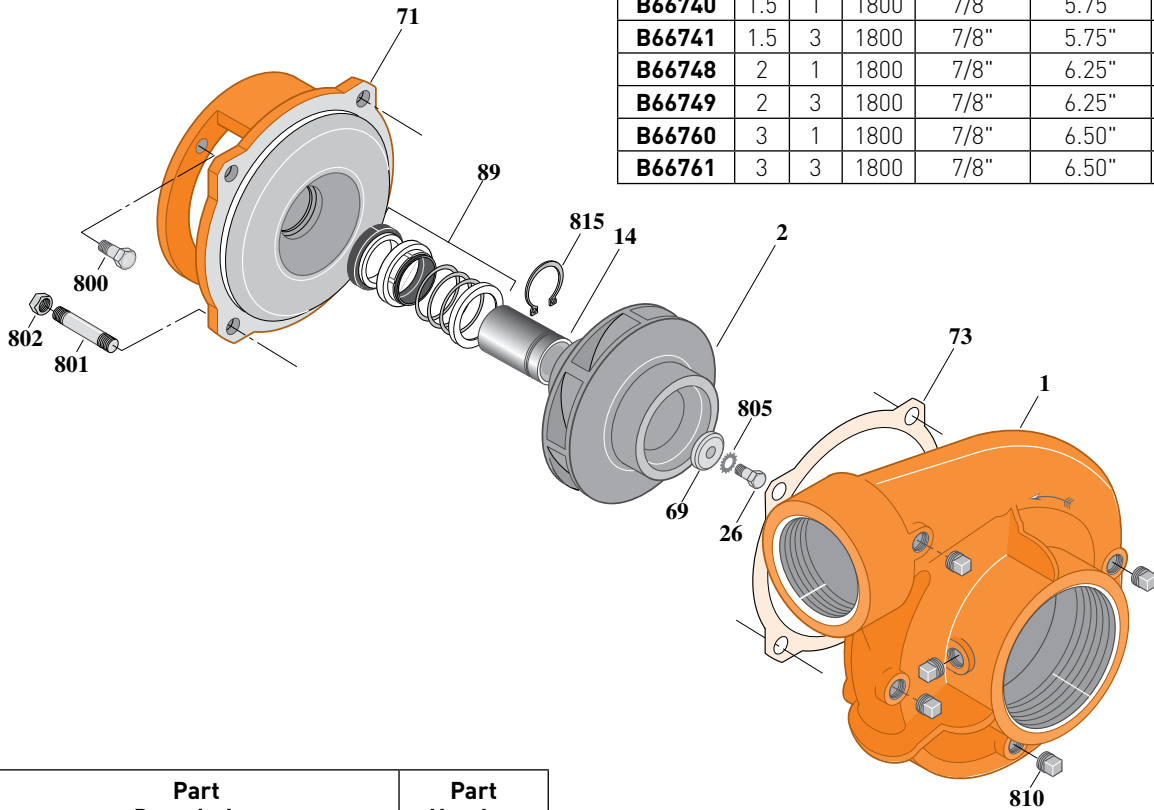
Threaded Case (NPT), Mechanical Shaft Seal Construction

ELECTRIC MOTOR DRIVE

Section	CC
Page	160.13
Date	March 4, 2013
Supersedes 01/01/04	

Table I

B/M No.	HP	PH	RPM	"U" Dim.	Imp. Dia.	Imp. No.
B66732	1	1	1800	7/8"	5.12"	L06634
B66733	1	3	1800	7/8"	5.12"	L06634
B66740	1.5	1	1800	7/8"	5.75"	L06635
B66741	1.5	3	1800	7/8"	5.75"	L06635
B66748	2	1	1800	7/8"	6.25"	L06636
B66749	2	3	1800	7/8"	6.25"	L06636
B66760	3	1	1800	7/8"	6.50"	L06657
B66761	3	3	1800	7/8"	6.50"	L06657



1481 0195

Item No.	Part Description	Part Number
1	Case, Volute	L01104
2	Impeller	See Table I
14	Sleeve, Shaft	S19310L
26	Screw, Impeller 3/8 - 16 x 1"	S23566
32	Key, 3/16 x 1-1/4" (See Note)	S34383
69	Washer, Impeller	S06314
71	Bracket	See Table II
73	Gasket, Volute	S04757
89	Seal, Mechanical Shaft	S32014
800	Capscrew, 3/8 - 16 x 1" (4 Req.) (For 4-1/2 AK)	S26826
801	Stud, 1/2 - 13 x 1-1/2" (4 Req.)	S24043
802	Nut, 1/2 - 13 (4 Req.)	S23107
805	Washer, Lock	S23036
810	Plug, Pipe 1/4 NPT (5 Req.)	S23715
815	Ring, Retaining	S11207

Table II

HP	PH	Bracket No.	"AK" Fit	"U" Dim.	Motor Frame
1	1	L05329	4-1/2"	7/8"	143JM
1	3	L05329	4-1/2"	7/8"	143JM
1.5	1	L05329	4-1/2"	7/8"	145JM
1.5	3	L05329	4-1/2"	7/8"	145JM
2	1	L05329	4-1/2"	7/8"	182JM
2	3	L05329	4-1/2"	7/8"	145JM
3	1	L05329	4-1/2"	7/8"	184JM
3	3	L05329	4-1/2"	7/8"	182JM

NOTE: For an explanation of the tabulated material found on this page and for impeller key location, refer to **Supplement A** located at the beginning of this section.



BERKELEY® B3TPMS

Bronze Impeller

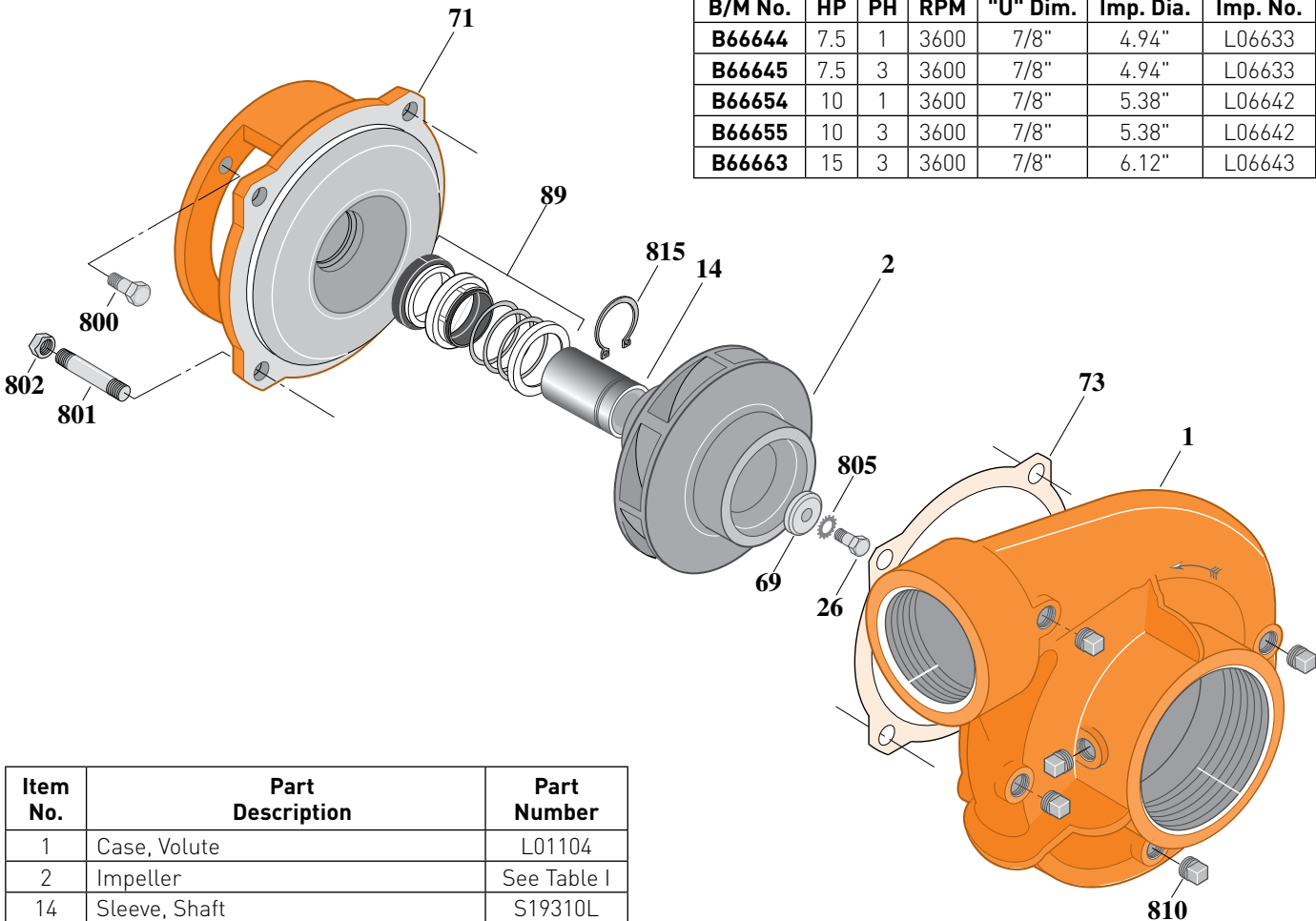
Threaded Case (NPT), Mechanical Shaft Seal Construction

ELECTRIC MOTOR DRIVE

Section	CC
Page	160.14
Date	March 4, 2013
Supersedes 01/01/04	

Table I

B/M No.	HP	PH	RPM	"U" Dim.	Imp. Dia.	Imp. No.
B66644	7.5	1	3600	7/8"	4.94"	L06633
B66645	7.5	3	3600	7/8"	4.94"	L06633
B66654	10	1	3600	7/8"	5.38"	L06642
B66655	10	3	3600	7/8"	5.38"	L06642
B66663	15	3	3600	7/8"	6.12"	L06643



1481 0195

Item No.	Part Description	Part Number
1	Case, Volute	L01104
2	Impeller	See Table I
14	Sleeve, Shaft	S19310L
26	Screw, Impeller 3/8 - 16 x 1"	S23566
32	Key, 3/16 x 1-1/4" [See Note]	S34383
69	Washer, Impeller	S06314
71	Bracket	See Table II
73	Gasket, Volute	S04757
89	Seal, Mechanical Shaft	S32014
800	Capscrew, 3/8 - 16 x 1" (4 Req.) [For 4-1/2 AK]	S26826
800	Capscrew, 1/2 - 13 x 1" (4 Req.) [For 8-1/2 AK]	S26912
801	Stud, 1/2 - 13 x 1-1/2" (4 Req.)	S24043
802	Nut, 1/2 - 13 (4 Req.)	S23107
805	Washer, Lock	S23036
810	Plug, Pipe 1/4 NPT (5 Req.)	S23715
815	Ring, Retaining	S11207

Table II

HP	PH	Bracket No.	"AK" Fit	"U" Dim.	Motor Frame
7.5	1	L05328	8-1/2"	7/8"	213JM
7.5	3	L05329	4-1/2"	7/8"	184JM
10	1	L05328	8-1/2"	7/8"	215JM
10	3	L05328	8-1/2"	7/8"	213JM
15	3	L05328	8-1/2"	7/8"	215JM

NOTE: For an explanation of the tabulated material found on this page and for impeller key location, refer to **Supplement A** located at the beginning of this section.



BERKELEY® B3TPMS

Bronze Impeller

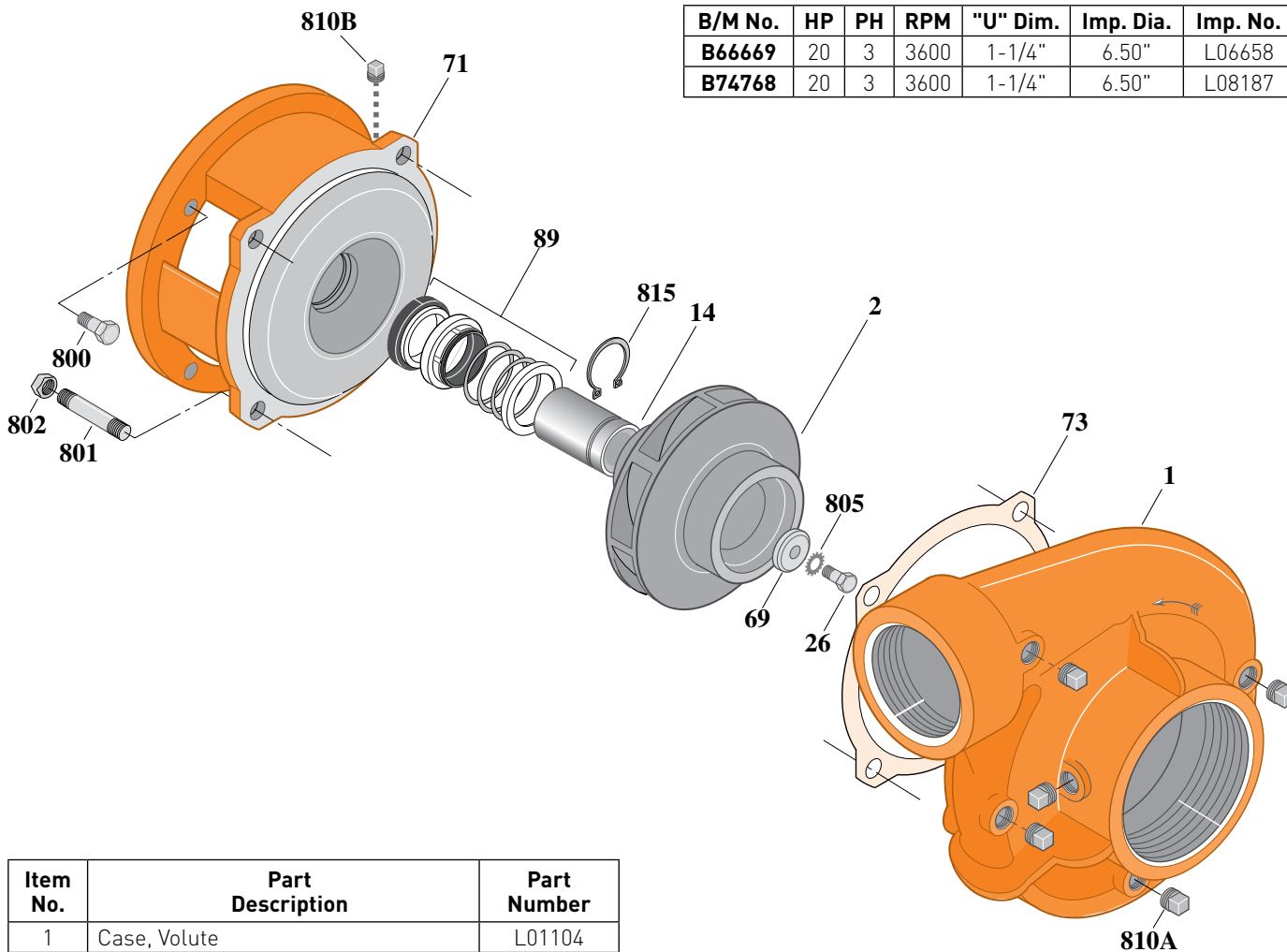
Threaded Case (NPT), Mechanical Shaft Seal Construction

ELECTRIC MOTOR DRIVE

Section	CC
Page	160.15
Date	March 4, 2013
Supersedes 01/01/04	

Table I

B/M No.	HP	PH	RPM	"U" Dim.	Imp. Dia.	Imp. No.
B66669	20	3	3600	1-1/4"	6.50"	L06658
B74768	20	3	3600	1-1/4"	6.50"	L08187



1490 0195

Item No.	Part Description	Part Number
1	Case, Volute	L01104
2	Impeller	See Table I
14	Sleeve, Shaft	S18869
26	Screw, Impeller 1/2 - 13 x 1"	S23619
32	Key, 1/4 x 2-1/4" (See Note)	S23677
69	Washer, Impeller	S06319
71	Bracket	See Table II
73	Gasket, Volute	S04757
89	Seal, Mechanical Shaft	S32015
800	Capscrew, 1/2 - 13 x 1" (4 Req.)	S26912
801	Stud, 1/2 - 13 x 1-1/2" (4 Req.)	S24043
802	Nut, 1/2 - 13 (4 Req.)	S23107
805	Washer, Lock	S23038
810	Plug, Pipe (5 Req.)	S23715
815	Ring, Retaining	S16767

Table II

HP	PH	Bracket No.	"AK" Fit	"U" Dim.	Motor Frame
20	3	L05779	8-1/2"	1-1/4"	254JM

NOTE: For an explanation of the tabulated material found on this page and for impeller key location, refer to **Supplement A** located at the beginning of this section.



BERKELEY® B3TPM

Silicon Bronze Impeller

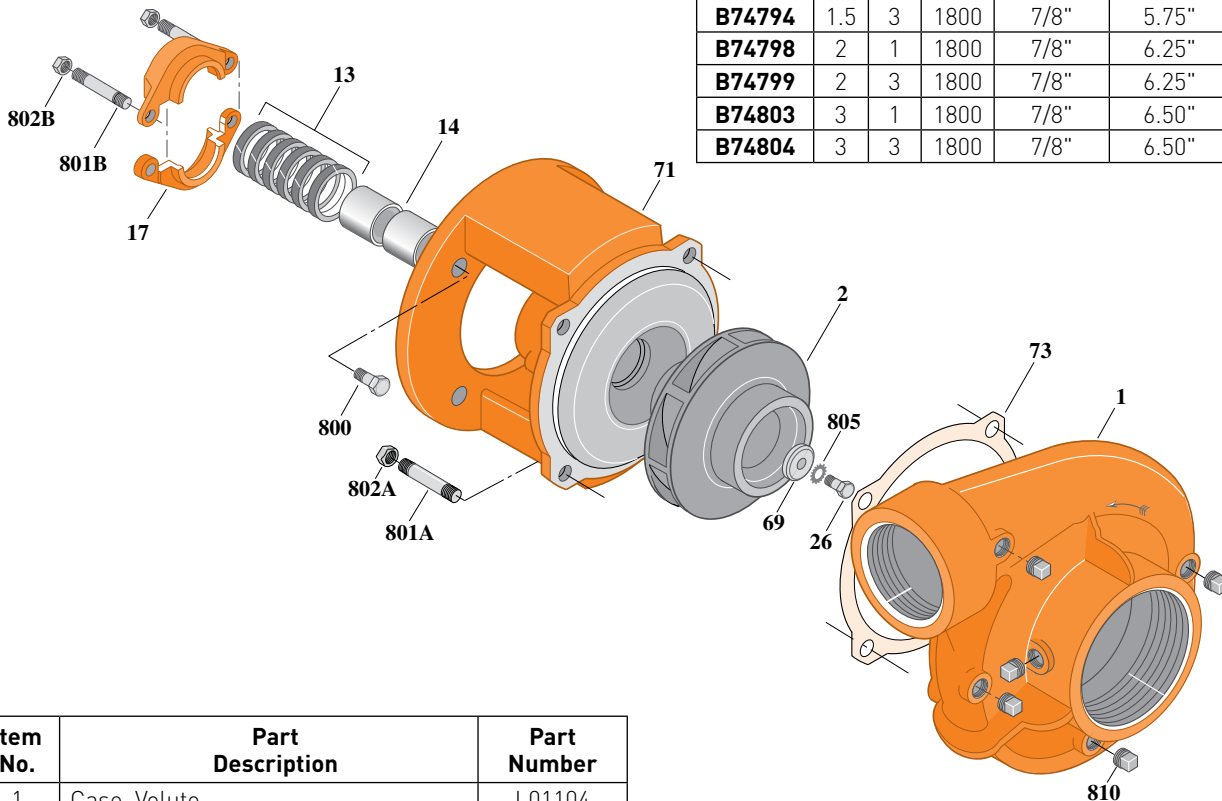
Threaded Case (NPT), Packing Construction

ELECTRIC MOTOR DRIVE

Section	CC
Page	160.17
Date	March 4, 2013
Supersedes 01/01/04	

Table I

B/M No.	HP	PH	RPM	"U" Dim.	Imp. Dia.	Imp. No.
B74788	1	1	1800	7/8"	5.12"	L08174
B74789	1	3	1800	7/8"	5.12"	L08174
B74793	1.5	1	1800	7/8"	5.75"	L08172
B74794	1.5	3	1800	7/8"	5.75"	L08172
B74798	2	1	1800	7/8"	6.25"	L08168
B74799	2	3	1800	7/8"	6.25"	L08168
B74803	3	1	1800	7/8"	6.50"	L08169
B74804	3	3	1800	7/8"	6.50"	L08169



1737 0495

Item No.	Part Description	Part Number
1	Case, Volute	L01104
2	Impeller	See Table I
13	Rings, Packing (Set of 6)	S13469
14	Sleeve, Shaft (2 Req.)	S00619
17	Gland, Packing	B82469
26	Screw, Impeller 3/8 - 16 x 1"	S23566
32	Key, 3/16 x 1-1/4" (See Note)	S34383
69	Washer, Impeller	S06314
71	Bracket	See Table II
73	Gasket, Volute	S04757
800	Capscrew, 3/8 - 16 x 7/8" (4 Req.)	S26825
801A	Stud, 1/2 - 13 x 1-1/2" (4 Req.)	S24043
801B	Stud, 3/8 - 16 x 4" (2 Req.)	S08303
802A	Nut, Hex 1/2 - 13 (4 Req.)	S23107
802B	Nut, Hex 3/8 - 16 (2 Req.)	S23343
805	Washer, Lock	S23036
810	Plug, Pipe 1/4" NPT (5 Req.)	S23715

Table II

HP	PH	Bracket No.	"AK" Fit	"U" Dim.	Motor Frame
1	1	L01525	4-1/2"	7/8"	143JP
1	3	L01525	4-1/2"	7/8"	143JP
1.5	1	L01525	4-1/2"	7/8"	145JP
1.5	3	L01525	4-1/2"	7/8"	145JP
2	1	L01525	4-1/2"	7/8"	182JP
2	3	L01525	4-1/2"	7/8"	145JP
3	1	L01525	4-1/2"	7/8"	184JP
3	3	L01525	4-1/2"	7/8"	182JP

NOTE: For an explanation of the tabulated material found on this page and for impeller key location, refer to **Supplement A** located at the beginning of this section.



BERKELEY® B3TPM

Silicon Bronze Impeller

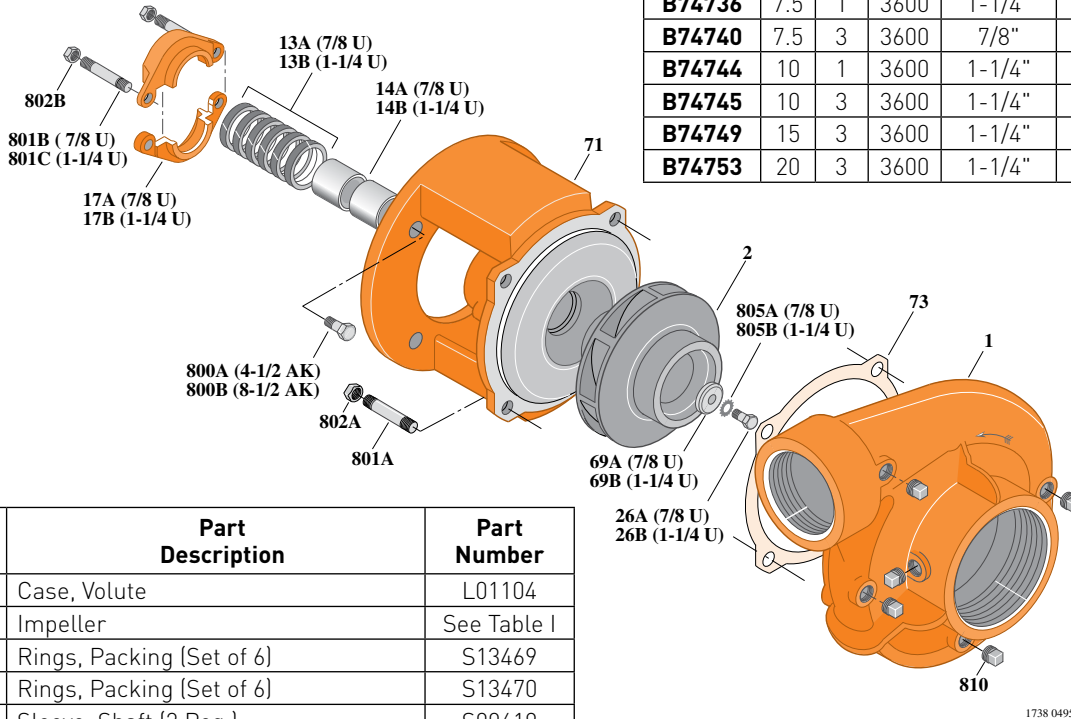
Threaded Case (NPT), Packing Construction

ELECTRIC MOTOR DRIVE

Section	CC
Page	160.18
Date	March 4, 2013
Supersedes 01/01/04	

Table I

B/M No.	HP	PH	RPM	"U" Dim.	Imp. Dia.	Imp. No.
B74736	7.5	1	3600	1-1/4"	4.94"	L08183
B74740	7.5	3	3600	7/8"	4.94"	L08175
B74744	10	1	3600	1-1/4"	5.38"	L08184
B74745	10	3	3600	1-1/4"	5.38"	L08184
B74749	15	3	3600	1-1/4"	6.12"	L08186
B74753	20	3	3600	1-1/4"	6.50"	L08187



1738 0495

Item No.	Part Description	Part Number
1	Case, Volute	L01104
2	Impeller	See Table I
13A	Rings, Packing [Set of 6]	S13469
13B	Rings, Packing [Set of 6]	S13470
14A	Sleeve, Shaft [2 Req.]	S00619
14B	Sleeve, Shaft	S05149
17A	Gland, Packing	B82469
17B	Gland, Packing	B82470
26A	Screw, Impeller 3/8 - 16 x 1"	S23566
26B	Screw, Impeller 1/2 - 13 x 1"	S23619
32A	Key, 3/16 x 1-1/4" [See Note]	S34383
32B	Key, 1/4 x 2-1/4" [See Note]	S23677
69A	Washer, Impeller	S06314
69B	Washer, Impeller	S06319
71	Bracket	See Table II
73	Gasket, Volute	S04757
800A	Capscrew, 3/8 - 16 x 7/8" [4 Req.]	S26825
800B	Capscrew, 1/2 - 13 x 1" [4 Req.]	S26912
801A	Stud, 1/2 - 13 x 1-1/2" [4 Req.]	S24043
801B	Stud, 3/8 - 16 x 4" [2 Req.]	S08303
801C	Stud, 3/8 - 16 x 3-1/2" [2 Req.]	S04441
802A	Nut, Hex 1/2 - 13 [4 Req.]	S23107
802B	Nut, Hex 3/8 - 16 [2 Req.]	S23343
805A	Washer, Lock	S23036
805B	Washer, Lock	S23038
810	Plug, Pipe 1/4" NPT [5 Req.]	S23715

Table II

HP	PH	Bracket No.	"AK" Fit	"U" Dim.	Motor Frame
7.5	1	L01951	8-1/2"	1-1/4"	213JP
7.5	3	L01525	4-1/2"	7/8"	184JP
10	1	L01951	8-1/2"	1-1/4"	215JP
10	3	L01951	8-1/2"	1-1/4"	213JP
15	3	L01951	8-1/2"	1-1/4"	215JP
20	3	L01951	8-1/2"	1-1/4"	254JP

NOTE: For an explanation of the tabulated material found on this page and for impeller key location, refer to **Supplement A** located at the beginning of this section.



BERKELEY® B3TPM

Silicon Bronze Impeller

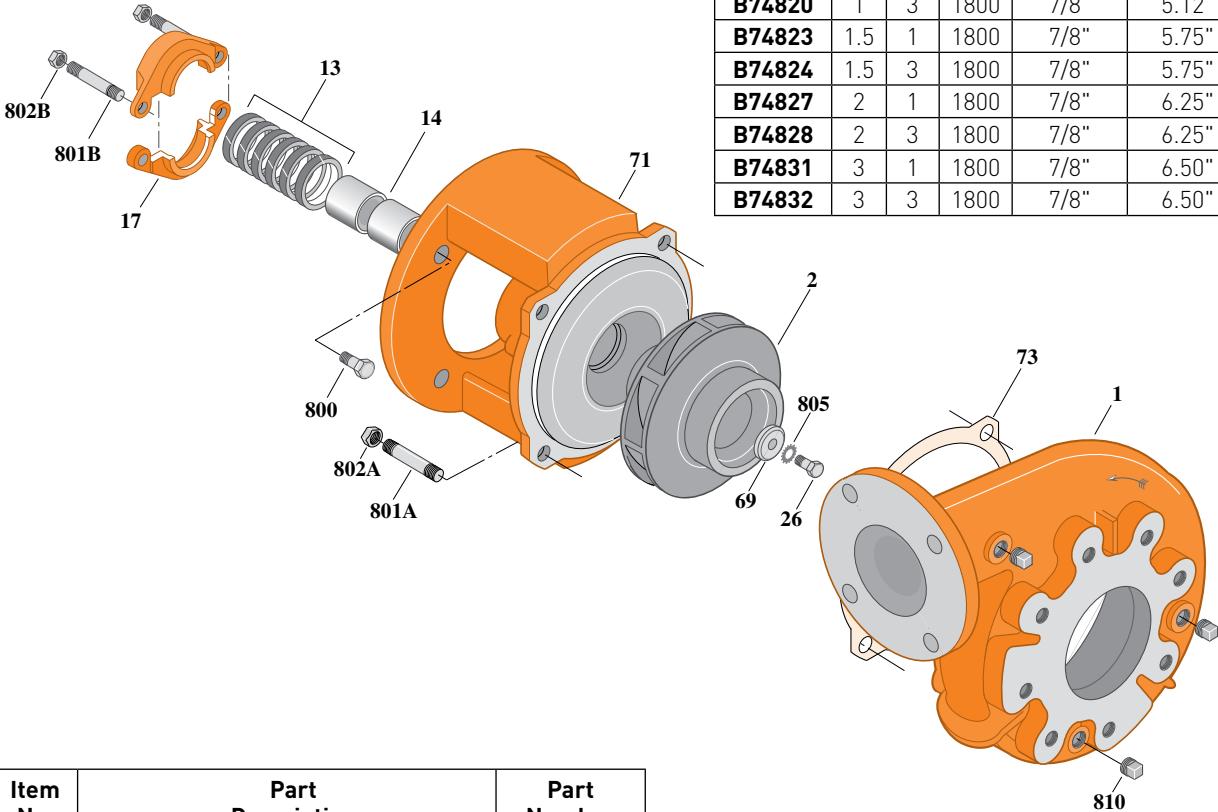
Flanged Case, Packing Construction

ELECTRIC MOTOR DRIVE

Section	CC
Page	160.19
Date	March 4, 2013
Supersedes 01/01/04	

Table I

B/M No.	HP	PH	RPM	"U" Dim.	Imp. Dia.	Imp. No.
B74819	1	1	1800	7/8"	5.12"	L08174
B74820	1	3	1800	7/8"	5.12"	L08174
B74823	1.5	1	1800	7/8"	5.75"	L08172
B74824	1.5	3	1800	7/8"	5.75"	L08172
B74827	2	1	1800	7/8"	6.25"	L08168
B74828	2	3	1800	7/8"	6.25"	L08168
B74831	3	1	1800	7/8"	6.50"	L08169
B74832	3	3	1800	7/8"	6.50"	L08169



1739 0495

Item No.	Part Description	Part Number
1	Case, Volute	H05129
2	Impeller	See Table I
13	Rings, Packing (Set of 6)	S13469
14	Sleeve, Shaft (2 Req.)	S00619
17	Gland, Packing	B82469
26	Screw, Impeller 3/8 - 16 x 1"	S23566
32	Key, 3/16 x 1-1/4" (See Note)	S34383
69	Washer, Impeller	S06314
71	Bracket	See Table II
73	Gasket, Volute	S04757
800	Capscrew, 3/8 - 16 x 7/8" (4 Req.)	S26825
801A	Stud, 1/2 - 13 x 1-1/2" (4 Req.)	S24043
801B	Stud, 3/8 - 16 x 4" (2 Req.)	S08303
802A	Nut, Hex 1/2 - 13 (4 Req.)	S23107
802B	Nut, Hex 3/8 - 16 (2 Req.)	S23343
805	Washer, Lock	S23036
810	Plug, Pipe 1/4" NPT (3 Req.)	S23715

Table II

HP	PH	Bracket No.	"AK" Fit	"U" Dim.	Motor Frame
1	1	L01525	4-1/2"	7/8"	143JP
1	3	L01525	4-1/2"	7/8"	143JP
1.5	1	L01525	4-1/2"	7/8"	145JP
1.5	3	L01525	4-1/2"	7/8"	145JP
2	1	L01525	4-1/2"	7/8"	182JP
2	3	L01525	4-1/2"	7/8"	145JP
3	1	L01525	4-1/2"	7/8"	184JP
3	3	L01525	4-1/2"	7/8"	182JP

NOTE: For an explanation of the tabulated material found on this page and for impeller key location, refer to **Supplement A** located at the beginning of this section.



BERKELEY® B3TPM

Silicon Bronze Impeller

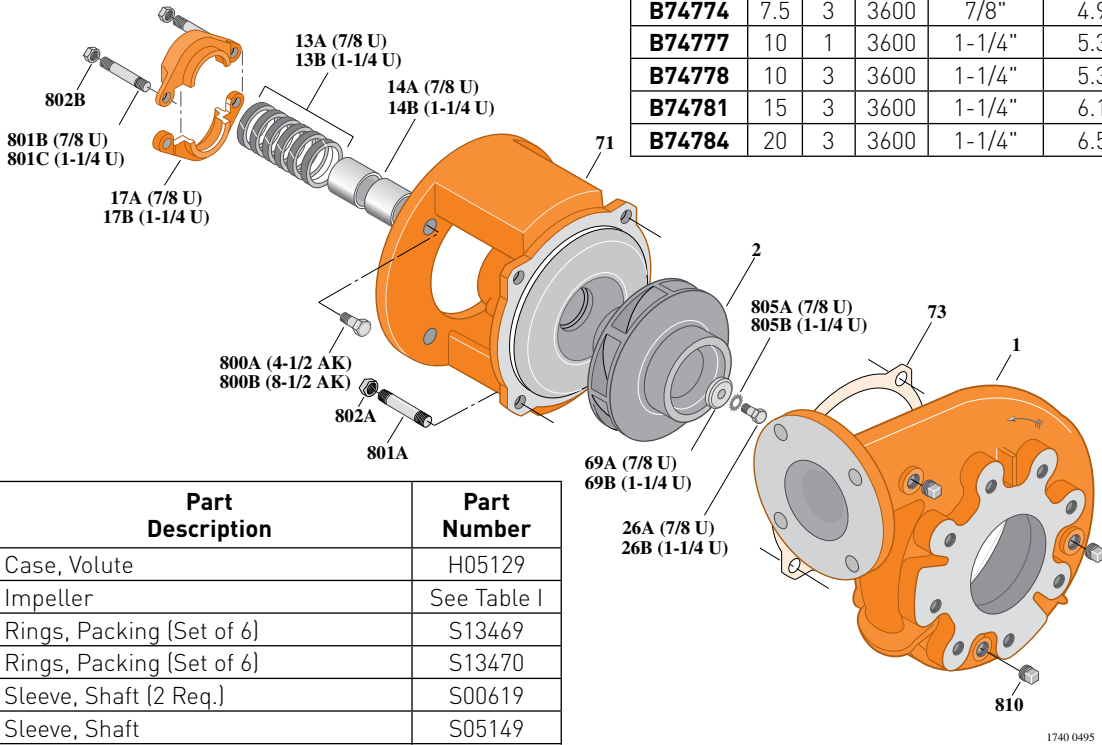
Flanged Case, Packing Construction

ELECTRIC MOTOR DRIVE

Section	CC
Page	160.20
Date	March 4, 2013
Supersedes 01/01/04	

Table I

B/M No.	HP	PH	RPM	"U" Dim.	Imp. Dia.	Imp. No.
B74771	7.5	1	3600	1-1/4"	4.94"	L08183
B74774	7.5	3	3600	7/8"	4.94"	L08175
B74777	10	1	3600	1-1/4"	5.38"	L08184
B74778	10	3	3600	1-1/4"	5.38"	L08184
B74781	15	3	3600	1-1/4"	6.12"	L08186
B74784	20	3	3600	1-1/4"	6.50"	L08187



Item No.	Part Description	Part Number
1	Case, Volute	H05129
2	Impeller	See Table I
13A	Rings, Packing [Set of 6]	S13469
13B	Rings, Packing [Set of 6]	S13470
14A	Sleeve, Shaft [2 Req.]	S00619
14B	Sleeve, Shaft	S05149
17A	Gland, Packing	B82469
17B	Gland, Packing	B82470
26A	Screw, Impeller 3/8 - 16 x 1"	S23566
26B	Screw, Impeller 1/2 - 13 x 1"	S23619
32A	Key, 3/16 x 1-1/4" [See Note]	S34383
32B	Key, 1/4 x 2-1/4" [See Note]	S23677
69A	Washer, Impeller	S06314
69B	Washer, Impeller	S06319
71	Bracket	See Table II
73	Gasket, Volute	S04757
800A	Capscrew, 3/8 - 16 x 7/8" [4 Req.]	S26825
800B	Capscrew, 1/2 - 13 x 1" [4 Req.]	S26912
801A	Stud, 1/2 - 13 x 1-1/2" [4 Req.]	S24043
801B	Stud, 3/8 - 16 x 4" [2 Req.]	S08303
801C	Stud, 3/8 - 16 x 3-1/2" [2 Req.]	S04441
802A	Nut, Hex 1/2 - 13 [4 Req.]	S23107
802B	Nut, Hex 3/8 - 16 [2 Req.]	S23343
805A	Washer, Lock	S23036
805B	Washer, Lock	S23038
810	Plug, Pipe 1/4" NPT [3 Req.]	S23715

Table II

HP	PH	Bracket No.	"AK" Fit	"U" Dim.	Motor Frame
7.5	1	L01951	8-1/2"	1-1/4"	213JP
7.5	3	L01525	4-1/2"	7/8"	184JP
10	1	L01951	8-1/2"	1-1/4"	215JP
10	3	L01951	8-1/2"	1-1/4"	213JP
15	3	L01951	8-1/2"	1-1/4"	215JP
20	3	L01951	8-1/2"	1-1/4"	254JP

NOTE: For an explanation of the tabulated material found on this page and for impeller key location, refer to **Supplement A** located at the beginning of this section.



BERKELEY® B3TPMS Silicon Bronze Impeller

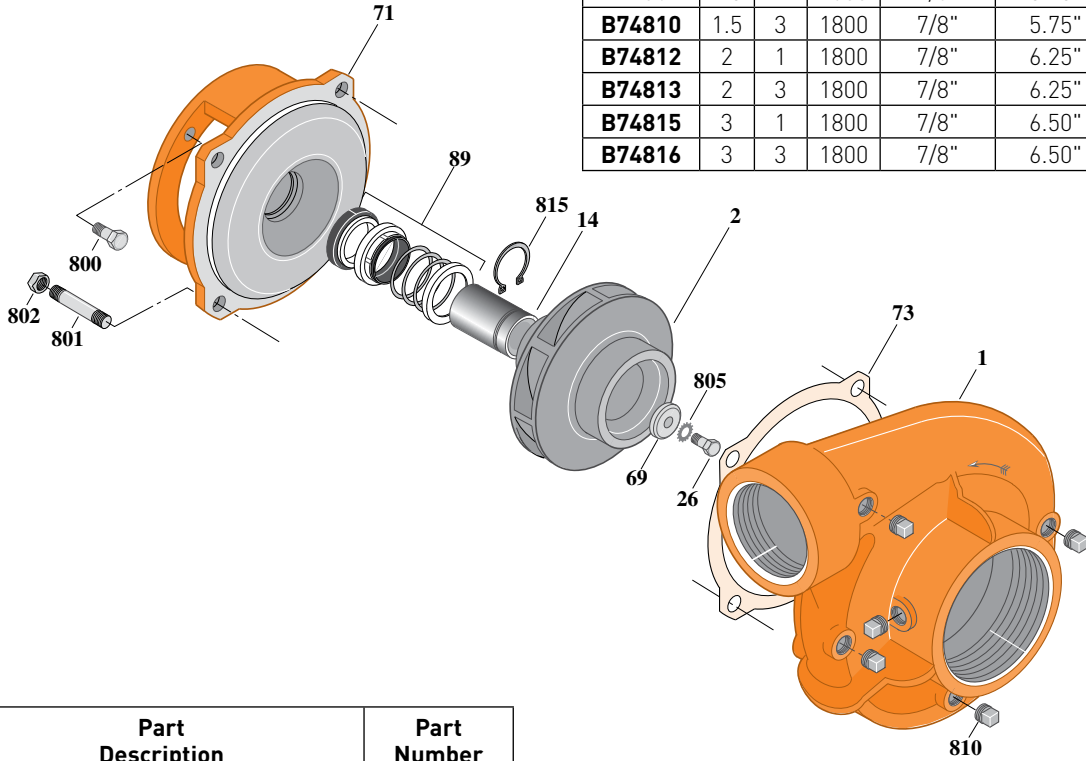
Threaded Case (NPT), Mechanical Shaft Seal Construction

ELECTRIC MOTOR DRIVE

Section	CC
Page	160.21
Date	March 4, 2013
Supersedes 01/01/04	

Table I

B/M No.	HP	PH	RPM	"U" Dim.	Imp. Dia.	Imp. No.
B74806	1	1	1800	7/8"	5.12"	L08174
B74807	1	3	1800	7/8"	5.12"	L08174
B74809	1.5	1	1800	7/8"	5.75"	L08172
B74810	1.5	3	1800	7/8"	5.75"	L08172
B74812	2	1	1800	7/8"	6.25"	L08168
B74813	2	3	1800	7/8"	6.25"	L08168
B74815	3	1	1800	7/8"	6.50"	L08169
B74816	3	3	1800	7/8"	6.50"	L08169



Item No.	Part Description	Part Number
1	Case, Volute	L01104
2	Impeller	See Table I
14	Sleeve, Shaft	S19310L
26	Screw, Impeller 3/8 - 16 x 1"	S23566
32	Key, 3/16 x 1-1/4" [See Note]	S34383
69	Washer, Impeller	S06314
71	Bracket	See Table II
73	Gasket, Volute	S04757
89	Seal, Mechanical Shaft	S32014
800	Capscrew, 3/8 - 16 x 1" [4 Req.]	S26826
801	Stud, 1/2 - 13 x 1-1/2" [4 Req.]	S24043
802	Nut, 1/2 - 13 [4 Req.]	S23107
805	Washer, Lock	S23036
810	Plug, Pipe 1/4" NPT [5 Req.]	S23715
815	Ring, Retaining	S11207
•	Plug, Pipe 1/8" NPT (In Bracket)	S23714

• Not illustrated.

Table II

HP	PH	Bracket No.	"AK" Fit	"U" Dim.	Motor Frame
1	1	L05329	4-1/2"	7/8"	143JM
1	3	L05329	4-1/2"	7/8"	143JM
1.5	1	L05329	4-1/2"	7/8"	145JM
1.5	3	L05329	4-1/2"	7/8"	145JM
2	1	L05329	4-1/2"	7/8"	182JM
2	3	L05329	4-1/2"	7/8"	145JM
3	1	L05329	4-1/2"	7/8"	184JM
3	3	L05329	4-1/2"	7/8"	182JM

NOTE 1: For an explanation of the tabulated material found on this page and for impeller key location, refer to **Supplement A** located at the beginning of this section.

NOTE 2: For seal flush line details, see **Supplement D**.



BERKELEY® B3TPMS Silicon Bronze Impeller

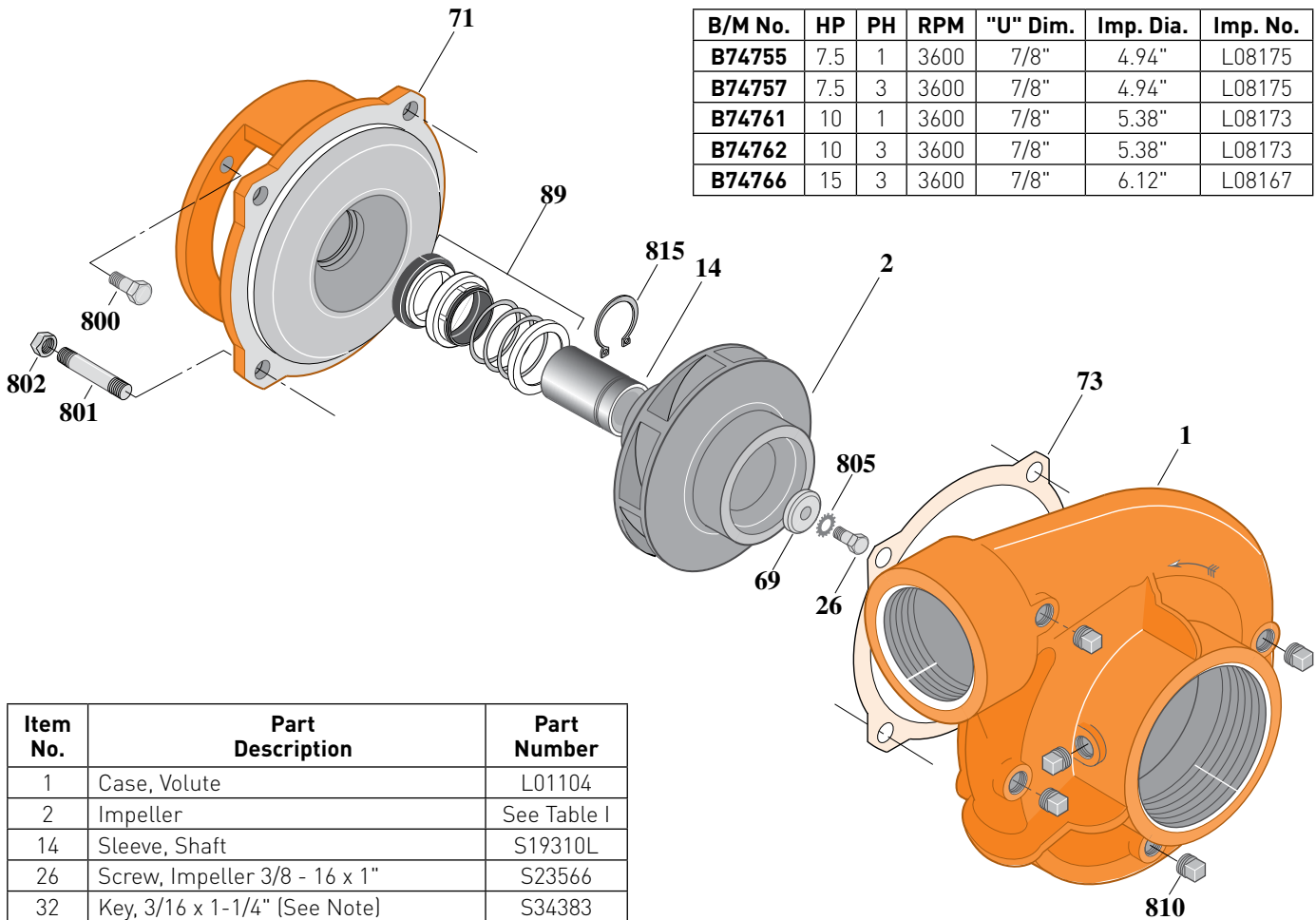
Threaded Case (NPT), Mechanical Shaft Seal Construction

ELECTRIC MOTOR DRIVE

Section	CC
Page	160.22
Date	March 4, 2013
Supersedes 01/01/04	

Table I

B/M No.	HP	PH	RPM	"U" Dim.	Imp. Dia.	Imp. No.
B74755	7.5	1	3600	7/8"	4.94"	L08175
B74757	7.5	3	3600	7/8"	4.94"	L08175
B74761	10	1	3600	7/8"	5.38"	L08173
B74762	10	3	3600	7/8"	5.38"	L08173
B74766	15	3	3600	7/8"	6.12"	L08167



1481 0195

Item No.	Part Description	Part Number
1	Case, Volute	L01104
2	Impeller	See Table I
14	Sleeve, Shaft	S19310L
26	Screw, Impeller 3/8 - 16 x 1"	S23566
32	Key, 3/16 x 1-1/4" [See Note]	S34383
69	Washer, Impeller	S06314
71	Bracket	See Table II
73	Gasket, Volute	S04757
89	Seal, Mechanical Shaft	S32014
800	Capscrew, 3/8 - 16 x 1" (4 Req.) [For 4-1/2 AK]	S26826
800	Capscrew, 1/2 - 13 x 1" (4 Req.) [For 8-1/2 AK]	S26912
801	Stud, 1/2 - 13 x 1-1/2" (4 Req.)	S24043
802	Nut, 1/2 - 13 (4 Req.)	S23107
805	Washer, Lock	S23036
810	Plug, Pipe 1/4" NPT (5 Req.)	S23715
815	Ring, Retaining	S11207
•	Plug, Pipe 1/8" NPT (In Bracket)	S23714

• Not illustrated.

Table II

HP	PH	Bracket No.	"AK" Fit	"U" Dim.	Motor Frame
7.5	1	L05328	8-1/2"	7/8"	213JM
7.5	3	L05329	4-1/2"	7/8"	184JM
10	1	L05328	8-1/2"	7/8"	215JM
10	3	L05328	8-1/2"	7/8"	213JM
15	3	L05328	8-1/2"	7/8"	215JM

NOTE 1: For an explanation of the tabulated material found on this page and for impeller key location, refer to **Supplement A** located at the beginning of this section.

NOTE 2: For seal flush line details, see **Supplement D**.



BERKELEY® B3TPMS Silicon Bronze Impeller

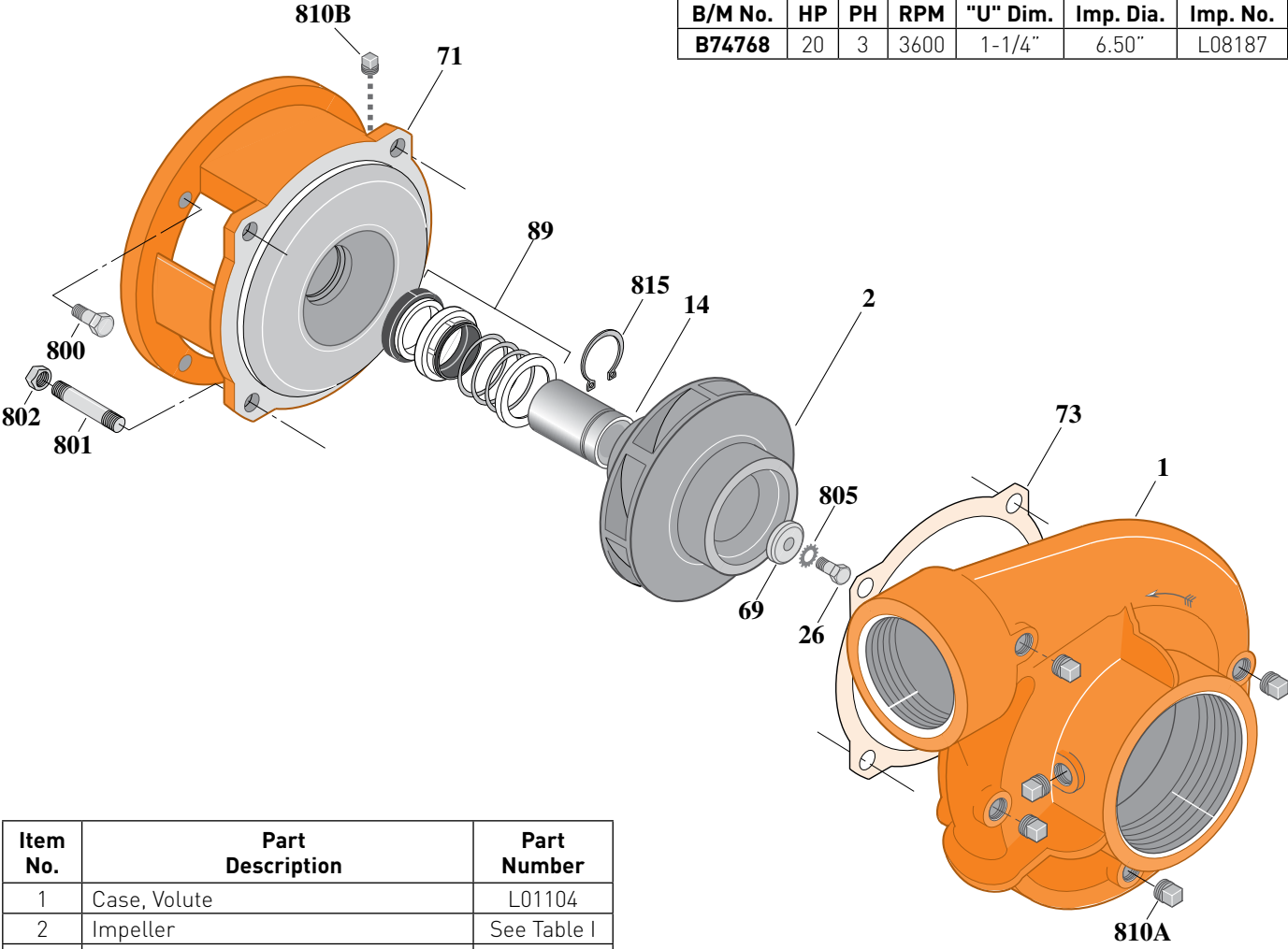
Threaded Case (NPT), Mechanical Shaft Seal Construction

ELECTRIC MOTOR DRIVE

Section	CC
Page	160.23
Date	March 4, 2013
Supersedes 09/01/97	

Table I

B/M No.	HP	PH	RPM	"U" Dim.	Imp. Dia.	Imp. No.
B74768	20	3	3600	1-1/4"	6.50"	L08187



1490 0195

Item No.	Part Description	Part Number
1	Case, Volute	L01104
2	Impeller	See Table I
14	Sleeve, Shaft	S18869
26	Screw, Impeller 1/2 - 13 x 1"	S23619
32	Key, 1/4 x 2-1/4" (See Note)	S23677
69	Washer, Impeller	S06319
71	Bracket	See Table II
73	Gasket, Volute	S04757
89	Seal, Mechanical Shaft	S32015
800	Capscrew, 1/2 - 13 x 1" (4 Req.)	S26912
801	Stud, 1/2 - 13 x 1-1/2" (4 Req.)	S24043
802	Nut, 1/2 - 13 (4 Req.)	S23107
805	Washer, Lock	S23038
810A	Plug, Pipe 1/4" NPT (5 Req.)	S23715
810B	Plug, Pipe 1/8" NPT (In Bracket)	S23714
815	Ring, Retaining	S16767

Table II

HP	PH	Bracket No.	"AK" Fit	"U" Dim.	Motor Frame
20	3	L05779	8-1/2"	1-1/4"	254JM

NOTE 1: For an explanation of the tabulated material found on this page and for impeller key location, refer to **Supplement A** located at the beginning of this section.

NOTE 2: For seal flush line details, see **Supplement D**.



BERKELEY® B3TPMS Silicon Bronze Impeller

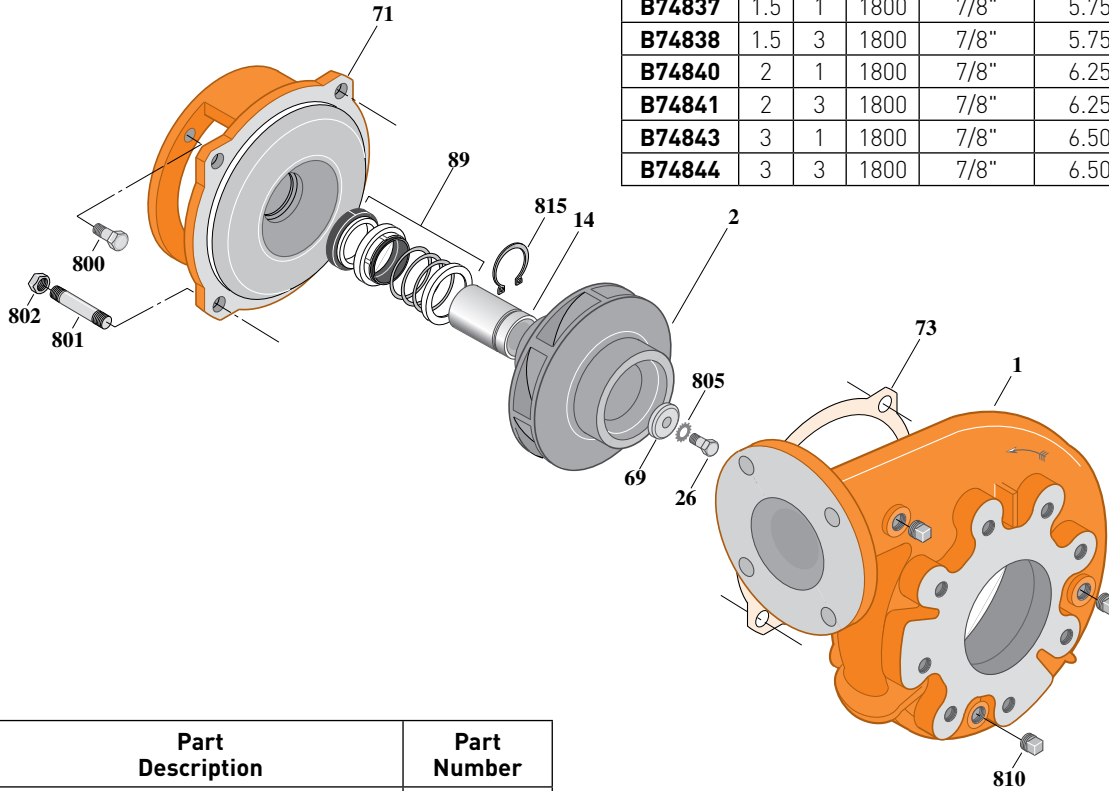
Flanged Case, Mechanical Shaft Seal Construction

ELECTRIC MOTOR DRIVE

Section	CC
Page	160.24
Date	March 4, 2013
Supersedes 01/01/04	

Table I

B/M No.	HP	PH	RPM	"U" Dim.	Imp. Dia.	Imp. No.
B74834	1	1	1800	7/8"	5.12"	L08174
B74835	1	3	1800	7/8"	5.12"	L08174
B74837	1.5	1	1800	7/8"	5.75"	L08172
B74838	1.5	3	1800	7/8"	5.75"	L08172
B74840	2	1	1800	7/8"	6.25"	L08168
B74841	2	3	1800	7/8"	6.25"	L08168
B74843	3	1	1800	7/8"	6.50"	L08169
B74844	3	3	1800	7/8"	6.50"	L08169



Item No.	Part Description	Part Number
1	Case, Volute	H05129
2	Impeller	See Table I
14	Sleeve, Shaft	S19310L
26	Screw, Impeller 3/8 - 16 x 1"	S23566
32	Key, 3/16 x 1-1/4" [See Note]	S34383
69	Washer, Impeller	S06314
71	Bracket	See Table II
73	Gasket, Volute	S04757
89	Seal, Mechanical Shaft	S32014
800	Capscrew, 3/8 - 16 x 1" (4 Req.)	S26826
801	Stud, 1/2 - 13 x 1-1/2" (4 Req.)	S24043
802	Nut, 1/2 - 13 (4 Req.)	S23107
805	Washer, Lock	S23036
810	Plug, Pipe 1/4" NPT (3 Req.)	S23715
815	Ring, Retaining	S11207
•	Plug, Pipe 1/8" NPT (In Bracket)	S23714

* Includes grease fitting and set screw.

Table II

HP	PH	Bracket No.	"AK" Fit	"U" Dim.	Motor Frame
1	1	L05329	4-1/2"	7/8"	143JM
1	3	L05329	4-1/2"	7/8"	143JM
1.5	1	L05329	4-1/2"	7/8"	145JM
1.5	3	L05329	4-1/2"	7/8"	145JM
2	1	L05329	4-1/2"	7/8"	182JM
2	3	L05329	4-1/2"	7/8"	145JM
3	1	L05329	4-1/2"	7/8"	184JM
3	3	L05329	4-1/2"	7/8"	182JM

NOTE 1: For an explanation of the tabulated material found on this page and for impeller key location, refer to **Supplement A** located at the beginning of this section.

NOTE 2: For seal flush line details, see **Supplement D**.



BERKELEY® B3TPMS Silicon Bronze Impeller

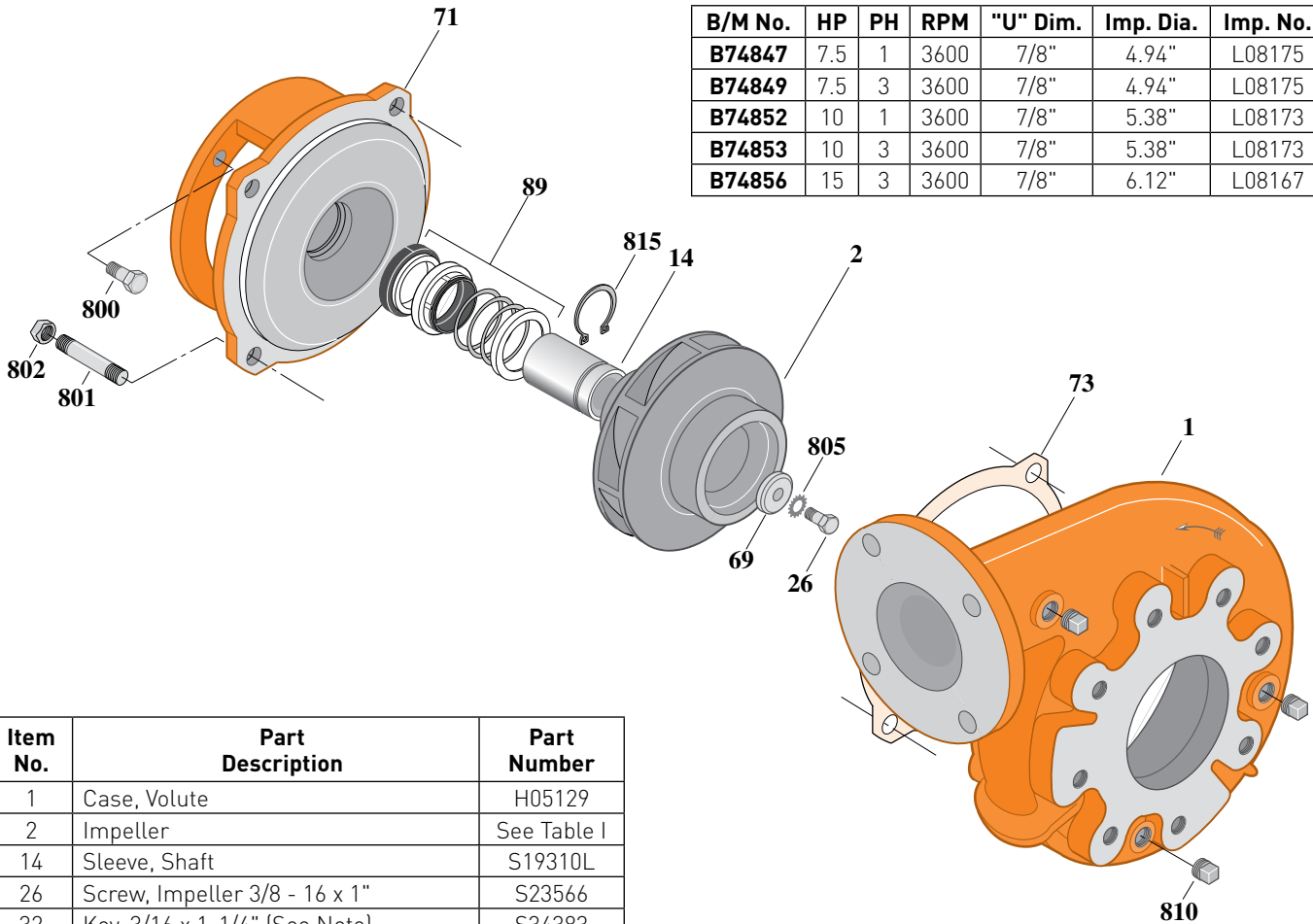
Flanged Case, Mechanical Shaft Seal Construction

ELECTRIC MOTOR DRIVE

Section	CC
Page	160.25
Date	March 4, 2013
Supersedes 01/01/04	

Table I

B/M No.	HP	PH	RPM	"U" Dim.	Imp. Dia.	Imp. No.
B74847	7.5	1	3600	7/8"	4.94"	L08175
B74849	7.5	3	3600	7/8"	4.94"	L08175
B74852	10	1	3600	7/8"	5.38"	L08173
B74853	10	3	3600	7/8"	5.38"	L08173
B74856	15	3	3600	7/8"	6.12"	L08167



1482 0195

Item No.	Part Description	Part Number
1	Case, Volute	H05129
2	Impeller	See Table I
14	Sleeve, Shaft	S19310L
26	Screw, Impeller 3/8 - 16 x 1"	S23566
32	Key, 3/16 x 1-1/4" [See Note]	S34383
40	Washer, Impeller	S06314
71	Bracket	See Table II
73	Gasket, Volute	S04757
89	Seal, Mechanical Shaft	S32014
800	Capscrew, 3/8 - 16 x 1" (4 Req.) [For 4-1/2 AK]	S26826
800	Capscrew, 1/2 - 13 x 1" (4 Req.) [For 8-1/2 AK]	S26912
801	Stud, 1/2 - 13 x 1-1/2" (4 Req.)	S24043
802	Nut, 1/2 - 13 (4 Req.)	S23107
805	Washer, Lock	S23036
810	Plug, Pipe 1/4" NPT (3 Req.)	S23715
815	Ring, Retaining	S11207
•	Plug, Pipe 1/8" NPT (In Bracket)	S23714

• Not illustrated.

Table II

HP	PH	Bracket No.	"AK" Fit	"U" Dim.	Motor Frame
7.5	1	L05328	8-1/2"	7/8"	213JM
7.5	3	L05329	4-1/2"	7/8"	184JM
10	1	L05328	8-1/2"	7/8"	215JM
10	3	L05328	8-1/2"	7/8"	213JM
15	3	L05328	8-1/2"	7/8"	215JM

NOTE 1: For an explanation of the tabulated material found on this page and for impeller key location, refer to **Supplement A** located at the beginning of this section.

NOTE 2: For seal flush line details, see **Supplement D**.



BERKELEY® B3TPMS Silicon Bronze Impeller

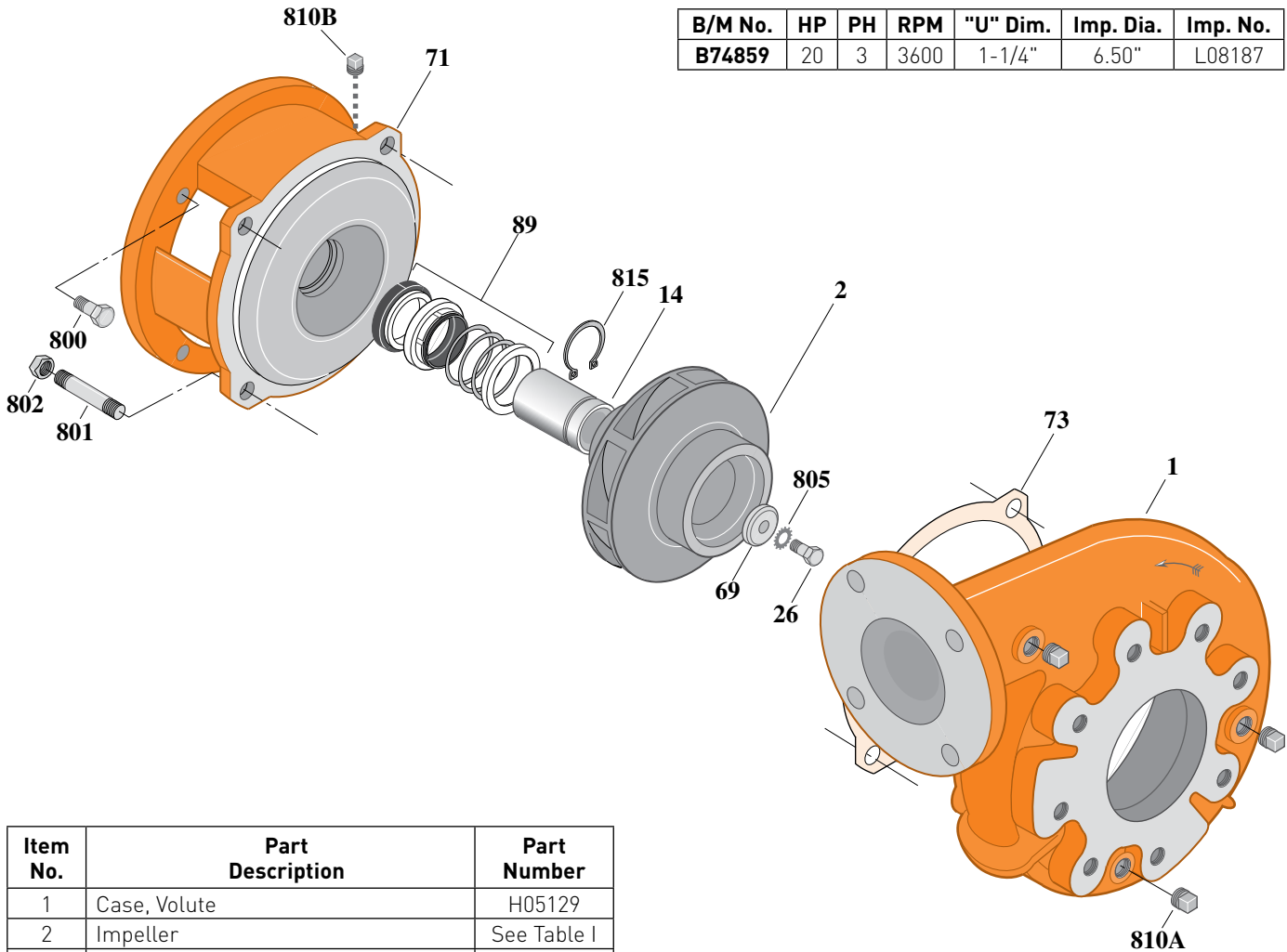
Flanged Case, Mechanical Shaft Seal Construction

ELECTRIC MOTOR DRIVE

Section	CC
Page	160.26
Date	March 4, 2013
Supersedes 01/01/04	

Table I

B/M No.	HP	PH	RPM	"U" Dim.	Imp. Dia.	Imp. No.
B74859	20	3	3600	1-1/4"	6.50"	L08187



1491 0195

Item No.	Part Description	Part Number
1	Case, Volute	H05129
2	Impeller	See Table I
14	Sleeve, Shaft	S18869
26	Screw, Impeller 1/2 - 13 x 1"	S23619
32	Key, 1/4 x 2-1/4" (See Note)	S23677
69	Washer, Impeller	S06319
71	Bracket	See Table II
73	Gasket, Volute	S04757
89	Seal, Mechanical Shaft	S32015
800	Capscrew, 1/2 - 13 x 1" (4 Req.)	S26912
801	Stud, 1/2 - 13 x 1-1/2" (4 Req.)	S24043
802	Nut, 1/2 - 13 (4 Req.)	S23107
805	Washer, Lock	S23038
810A	Plug, Pipe 1/4" NPT (3 Req.)	S23715
810B	Plug, Pipe 1/8" NPT (In Bracket)	S23714
815	Ring, Retaining	S16767

Table II

HP	PH	Bracket No.	"AK" Fit	"U" Dim.	Motor Frame
20	3	L05779	8-1/2"	1-1/4"	254JM

NOTE 1: For an explanation of the tabulated material found on this page and for impeller key location, refer to **Supplement A** located at the beginning of this section.

NOTE 2: For seal flush line details, see **Supplement D**.



BERKELEY® B3TPH

Silicon Bronze Impeller

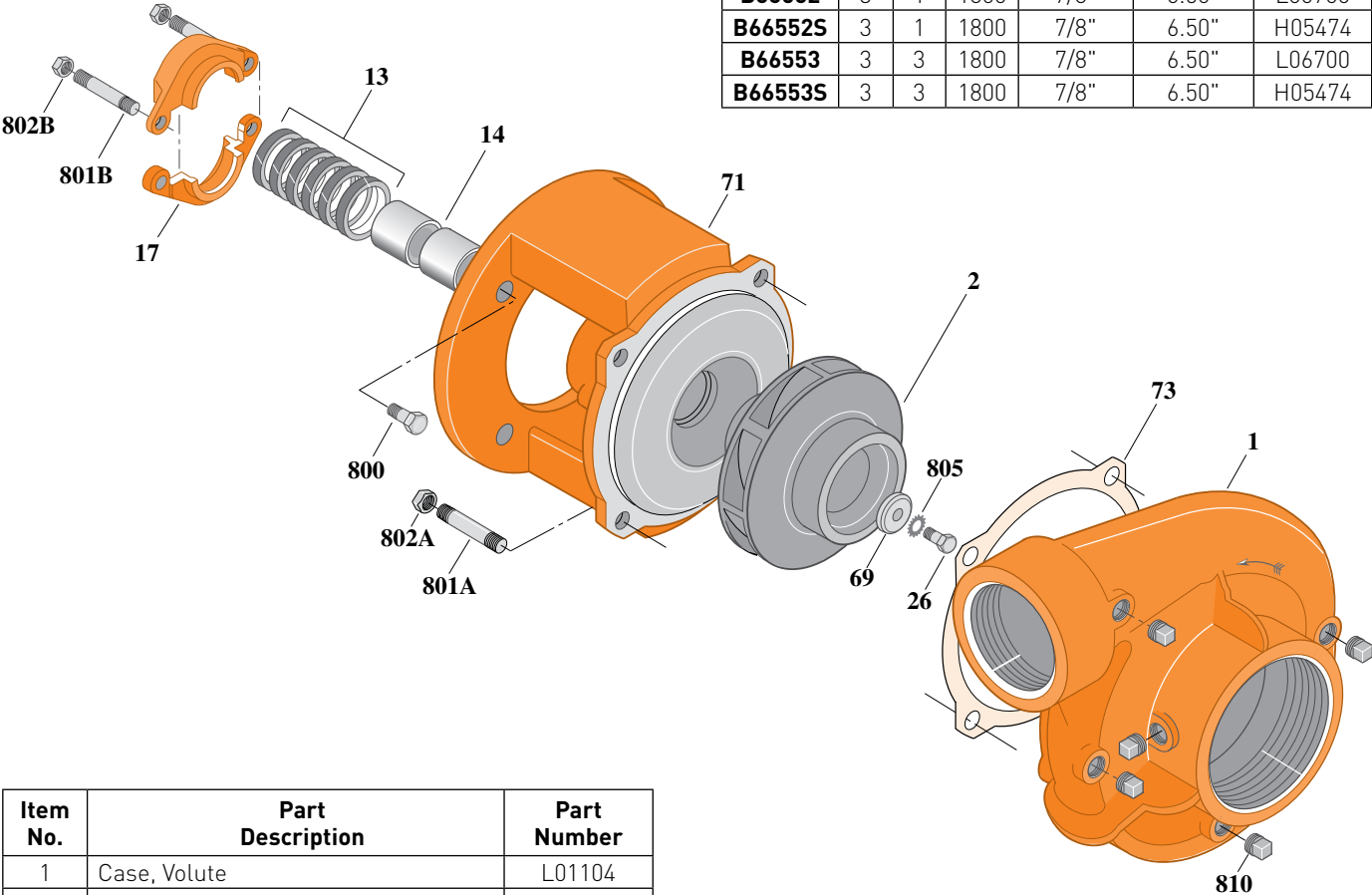
Threaded Case (NPT), Packing Construction

ELECTRIC MOTOR DRIVE

Section	CC
Page	170.1
Date	March 4, 2013
Supersedes 01/01/04	

Table I

B/M No.	HP	PH	RPM	"U" Dim.	Imp. Dia.	Imp. No.
B66552	3	1	1800	7/8"	6.50"	L06700
B66552S	3	1	1800	7/8"	6.50"	H05474
B66553	3	3	1800	7/8"	6.50"	L06700
B66553S	3	3	1800	7/8"	6.50"	H05474



1791 0595

Item No.	Part Description	Part Number
1	Case, Volute	L01104
2	Impeller	See Table I
13	Rings, Packing (Set of 6)	S13469
14	Sleeve, Shaft (2 Req.)	S00619
17	Gland, Packing	B82469
26	Screw, Impeller 3/8 - 16 x 1"	S23566
32	Key, 3/16 x 1-1/4" (See Note)	S34383
69	Washer, Impeller	S06314
71	Bracket	See Table II
73	Gasket, Volute	S04757
800	Capscrew, 3/8 - 16 x 7/8" (4 Req.)	S26825
801A	Stud, 1/2 - 13 x 1-1/2" (4 Req.)	S24043
801B	Stud, 3/8 - 16 x 4" (2 Req.)	S08303
802A	Nut, Hex 1/2 - 13 (4 Req.)	S23107
802B	Nut, Hex 3/8 - 16 (2 Req.)	S23343
805	Washer, Lock	S23036
810	Plug, Pipe 1/4 NPT (5 Req.)	S23715

Table II

HP	PH	Bracket No.	"AK" Fit	"U" Dim.	Motor Frame
3	1	L01525	4-1/2"	7/8"	184JP
3	3	L01525	4-1/2"	7/8"	182JP

NOTE: For an explanation of the tabulated material found on this page and for impeller key location, refer to **Supplement A** located at the beginning of this section.



BERKELEY® B3TPH

Silicon Bronze Impeller

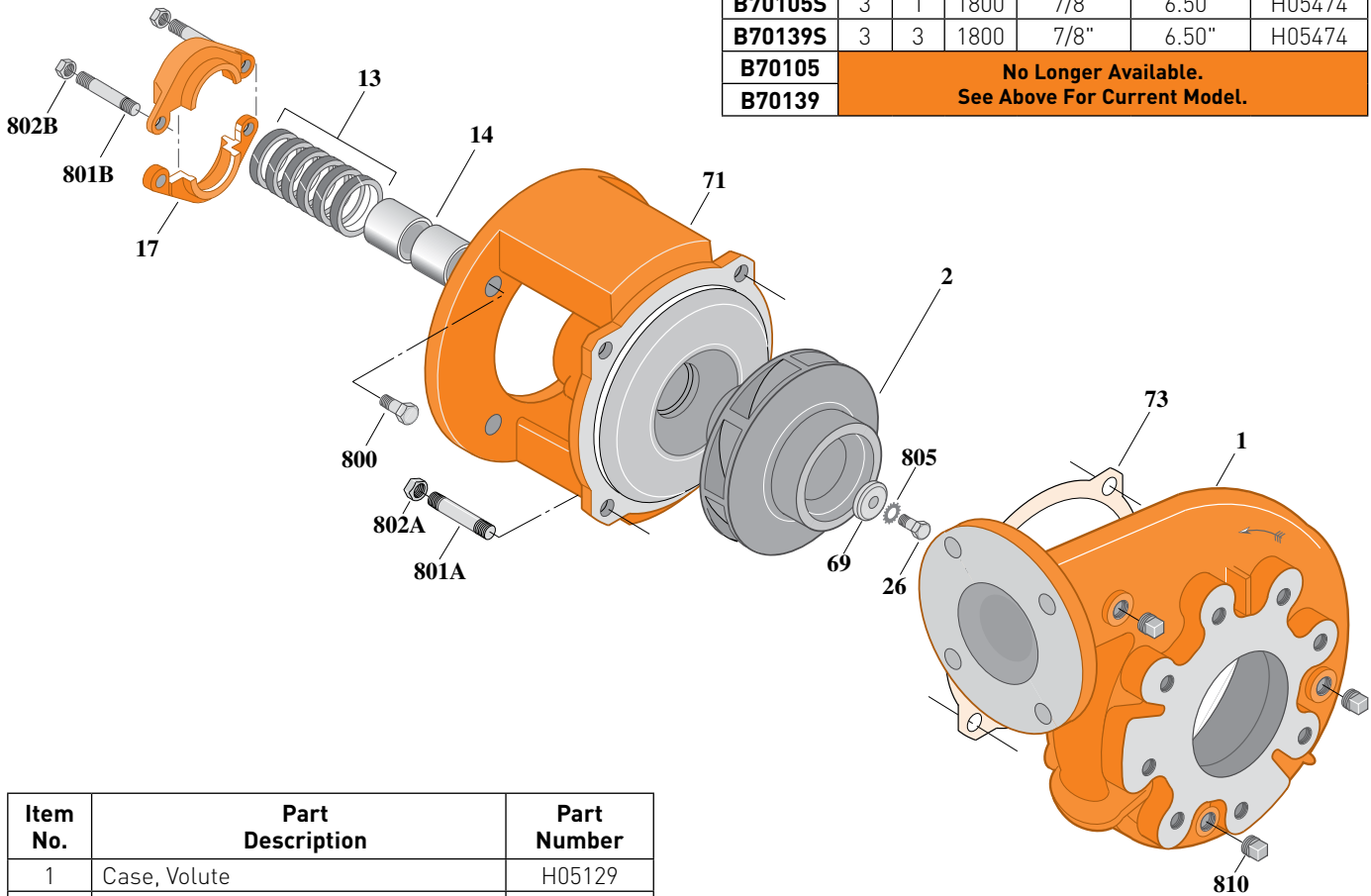
Flanged Case, Packing Construction

ELECTRIC MOTOR DRIVE

Section	CC
Page	170.2
Date	March 4, 2013
Supersedes 01/01/04	

Table I

B/M No.	HP	PH	RPM	"U" Dim.	Imp. Dia.	Imp. No.
B70105S	3	1	1800	7/8"	6.50"	H05474
B70139S	3	3	1800	7/8"	6.50"	H05474
B70105	No Longer Available. See Above For Current Model.					
B70139	No Longer Available. See Above For Current Model.					



1792 0595

Item No.	Part Description	Part Number
1	Case, Volute	H05129
2	Impeller	See Table I
13	Rings, Packing (Set of 6)	S13469
14	Sleeve, Shaft (2 Req.)	S00619
17	Gland, Packing	B82469
26	Screw, Impeller 3/8 - 16 x 1"	S23566
32	Key, 3/16 x 1-1/4" (See Note)	S34383
69	Washer, Impeller	S06314
71	Bracket	See Table II
73	Gasket, Volute	S04757
800	Capscrew, 3/8 - 16 x 7/8" (4 Req.)	S26825
801A	Stud, 1/2 - 13 x 1-1/2" (4 Req.)	S23043
801B	Stud, 3/8 - 16 x 4" (2 Req.)	S08303
802A	Nut, Hex 1/2 - 13 (4 Req.)	S23107
802B	Nut, Hex 3/8 - 16 (3 Req.)	S23343
805	Washer, Lock	S23036
810	Plug, Pipe 1/4 NPT (5 Req.)	S23715

Table II

HP	PH	Bracket No.	"AK" Fit	"U" Dim.	Motor Frame
3	1	L01525	4-1/2"	7/8"	184JP
3	3	L01525	4-1/2"	7/8"	182JP

NOTE: For an explanation of the tabulated material found on this page and for impeller key location, refer to **Supplement A** located at the beginning of this section.



BERKELEY® B3TPH

Bronze Impeller

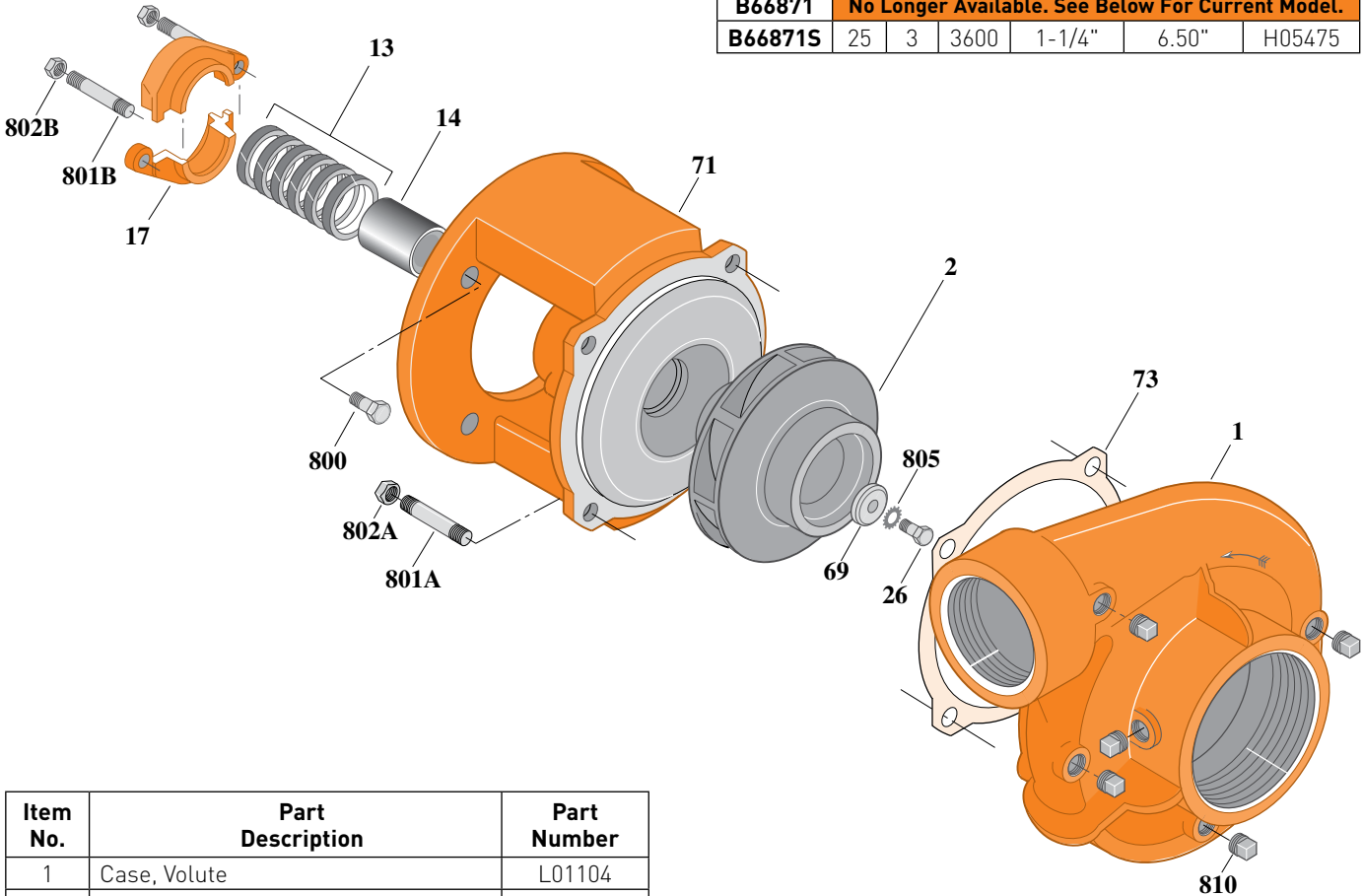
Threaded Case (NPT), Packing Construction

ELECTRIC MOTOR DRIVE

Section	CC
Page	170.3
Date	March 4, 2013
Supersedes 01/01/04	

Table I

B/M No.	HP	PH	RPM	"U" Dim.	Imp. Dia.	Imp. No.
B66871	No Longer Available. See Below For Current Model.					
B66871S	25	3	3600	1-1/4"	6.50"	H05475



1793 0595

Item No.	Part Description	Part Number
1	Case, Volute	L01104
2	Impeller	See Table I
13	Rings, Packing (Set of 6)	S13470
14	Sleeve, Shaft	S05149
17	Gland, Packing	B82470
26	Screw, Impeller 1/2 - 13 x 1"	S23619
32	Key, 1/4 x 2-1/4" (See Note)	S23677
69	Washer, Impeller	S06319
71	Bracket	See Table II
73	Gasket, Volute	S04757
800	Capscrew, 1/2 - 13 x 1" (4 Req.)	S26912
801A	Stud, 1/2 - 13 x 1-1/2" (4 Req.)	S24043
801B	Stud, 3/8 - 16 x 3-1/2" (2 Req.)	S04441
802A	Nut, Hex 1/2 - 13 (4 Req.)	S23107
802B	Nut, Hex 3/8 - 16 (2 Req.)	S23343
805	Washer, Lock	S23038
810	Plug, Pipe 1/4 NPT (5 Req.)	S23715

Table II

HP	PH	Bracket No.	"AK" Fit	"U" Dim.	Motor Frame
25	3	L01951	8-1/2"	1-1/4"	256JP

NOTE: For an explanation of the tabulated material found on this page and for impeller key location, refer to **Supplement A** located at the beginning of this section.



BERKELEY® B3TPH

Bronze Impeller

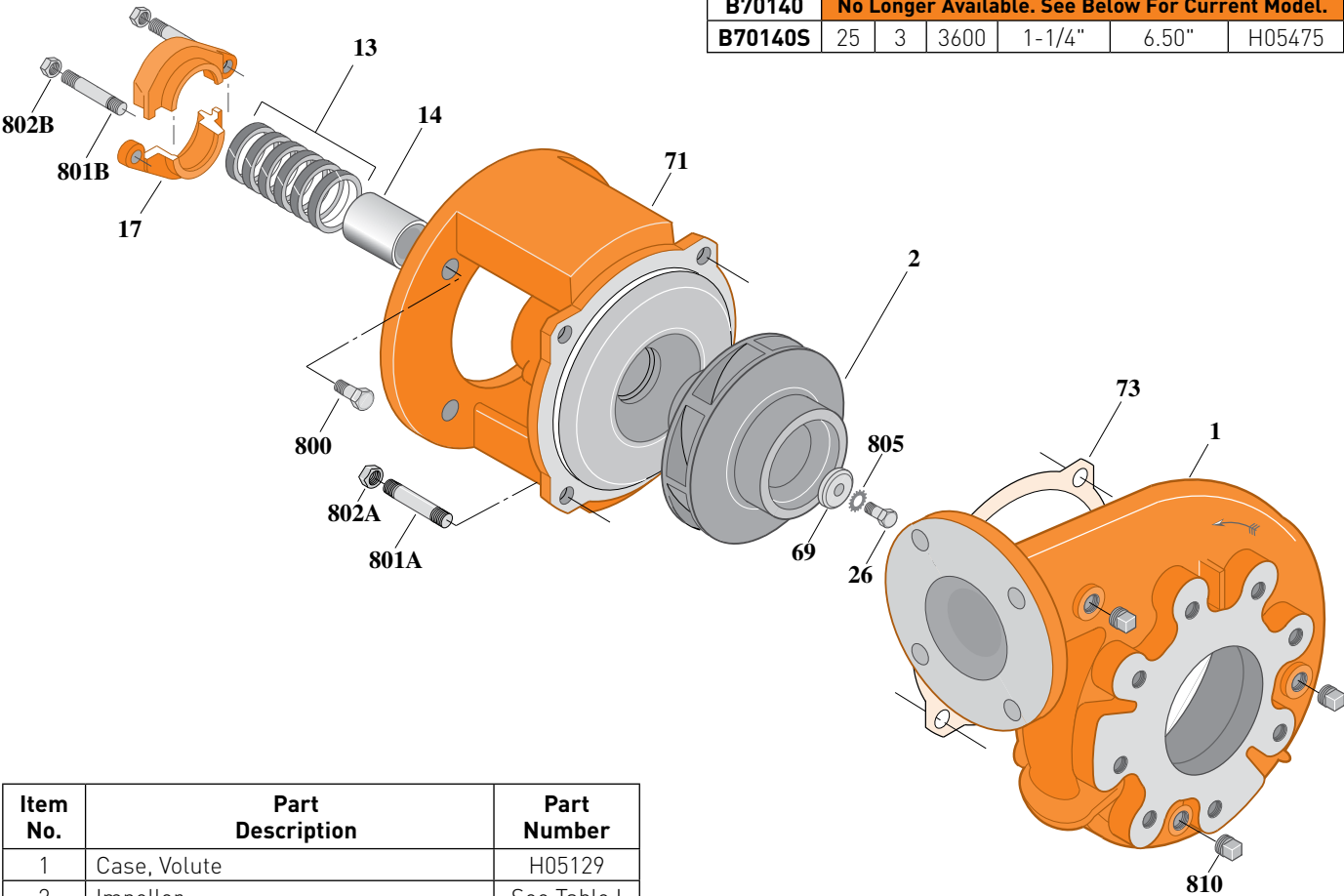
Flanged Case, Packing Construction

ELECTRIC MOTOR DRIVE

Section	CC
Page	170.4
Date	March 4, 2013
Supersedes 01/01/04	

Table I

B/M No.	HP	PH	RPM	"U" Dim.	Imp. Dia.	Imp. No.
B70140	No Longer Available. See Below For Current Model.					
B70140S	25	3	3600	1-1/4"	6.50"	H05475



1794 0595

Item No.	Part Description	Part Number
1	Case, Volute	H05129
2	Impeller	See Table I
13	Rings, Packing (Set of 6)	S13470
14	Sleeve, Shaft	S05149
17	Gland, Packing	B82470
26	Screw, Impeller 1/2 - 13 x 1"	S23619
32	Key, 1/4 x 2-1/4" (See Note)	S23677
69	Washer, Impeller	S06319
71	Bracket	See Table II
73	Gasket, Volute	S04757
800	Capscrew, 1/2 - 13 x 1" (4 Req.)	S26912
801A	Stud, 1/2 - 13 x 1-1/2" (4 Req.)	S23043
801B	Stud, 3/8 - 16 x 3-1/2" (2 Req.)	S04441
802A	Nut, Hex 1/2 - 13 (4 Req.)	S23017
802B	Nut, Hex 3/8 - 16 (2 Req.)	S23343
805	Washer, Lock	S23038
810	Plug, Pipe 1/4 NPT (5 Req.)	S23715

Table II

HP	PH	Bracket No.	"AK" Fit	"U" Dim.	Motor Frame
25	3	L01951	8-1/2"	1-1/4"	256JP

NOTE: For an explanation of the tabulated material found on this page and for impeller key location, refer to **Supplement A** located at the beginning of this section.



BERKELEY® B3TPHS Bronze Impeller

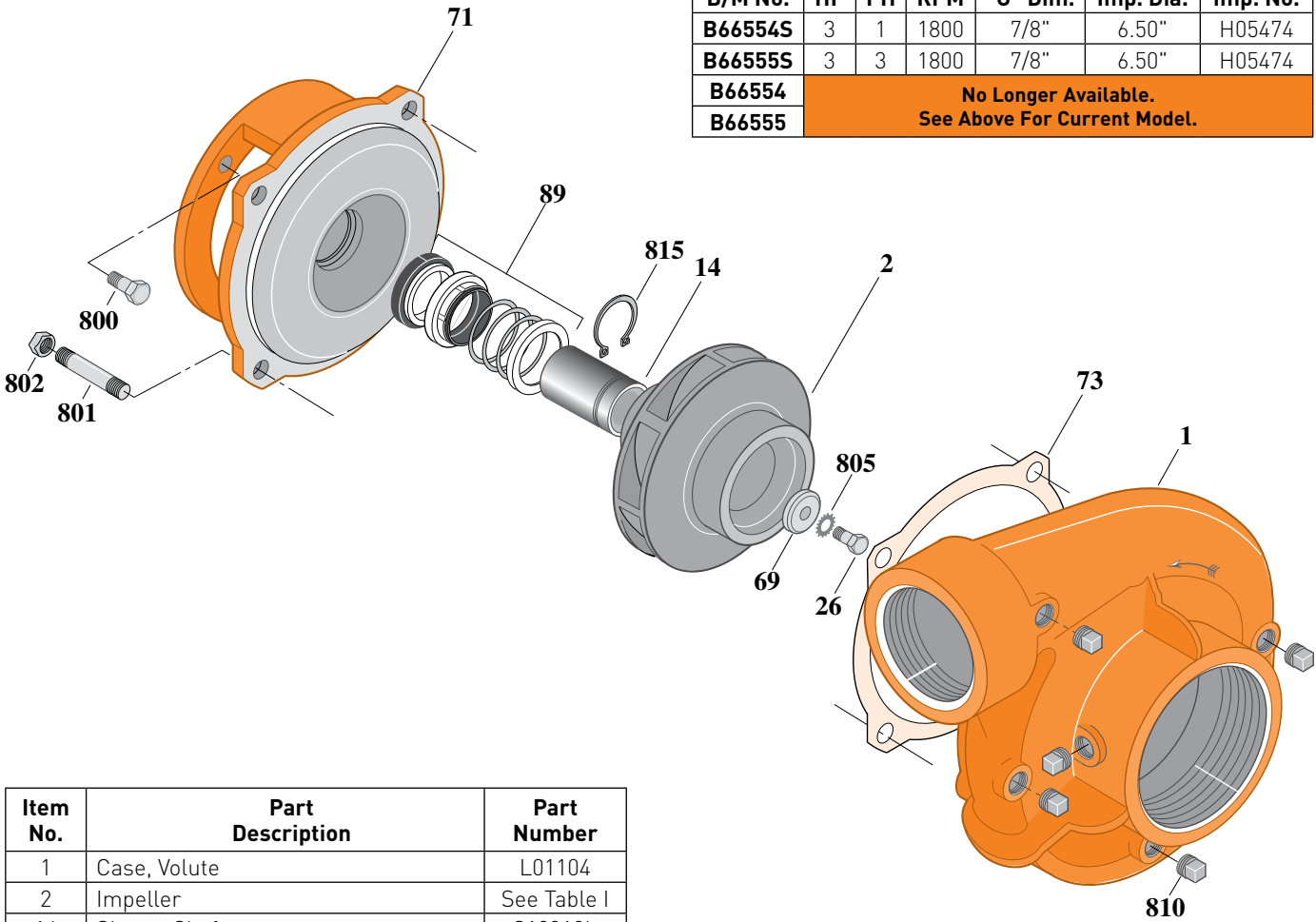
Threaded Case (NPT), Mechanical Shaft Seal Construction

ELECTRIC MOTOR DRIVE

Section	CC
Page	170.5
Date	March 4, 2013
Supersedes 01/01/04	

Table I

B/M No.	HP	PH	RPM	"U" Dim.	Imp. Dia.	Imp. No.
B66554S	3	1	1800	7/8"	6.50"	H05474
B66555S	3	3	1800	7/8"	6.50"	H05474
B66554	No Longer Available. See Above For Current Model.					
B66555	No Longer Available. See Above For Current Model.					



1481 0195

Item No.	Part Description	Part Number
1	Case, Volute	L01104
2	Impeller	See Table I
14	Sleeve, Shaft	S19310L
26	Screw, Impeller 3/8 - 16 x 1"	S23566
32	Key, 3/16 x 1-1/4" [See Note]	S34383
69	Washer, Impeller	S06314
71	Bracket	See Table II
73	Gasket, Volute	S04757
89	Seal, Mechanical Shaft	S32014
800A	Capscrew, 3/8 - 16 x 1"	S23566
800B	Capscrew, 3/8 - 16 x 1" [4 Req.]	S26826
801	Stud, 1/2 - 13 x 1-1/2" [4 Req.]	S24043
802	Nut, 1/2 - 13 [4 Req.]	S23107
805	Washer, Lock	S23036
810	Plug, Pipe [5 Req.]	S23715
815	Ring, Retaining	S11207

Table II

HP	PH	Bracket No.	"AK" Fit	"U" Dim.	Motor Frame
3	1	L05329	4-1/2"	7/8"	184JM
3	3	L05329	4-1/2"	7/8"	182JM

NOTE: For an explanation of the tabulated material found on this page and for impeller key location, refer to **Supplement A** located at the beginning of this section.



BERKELEY® B3TPHS Bronze Impeller

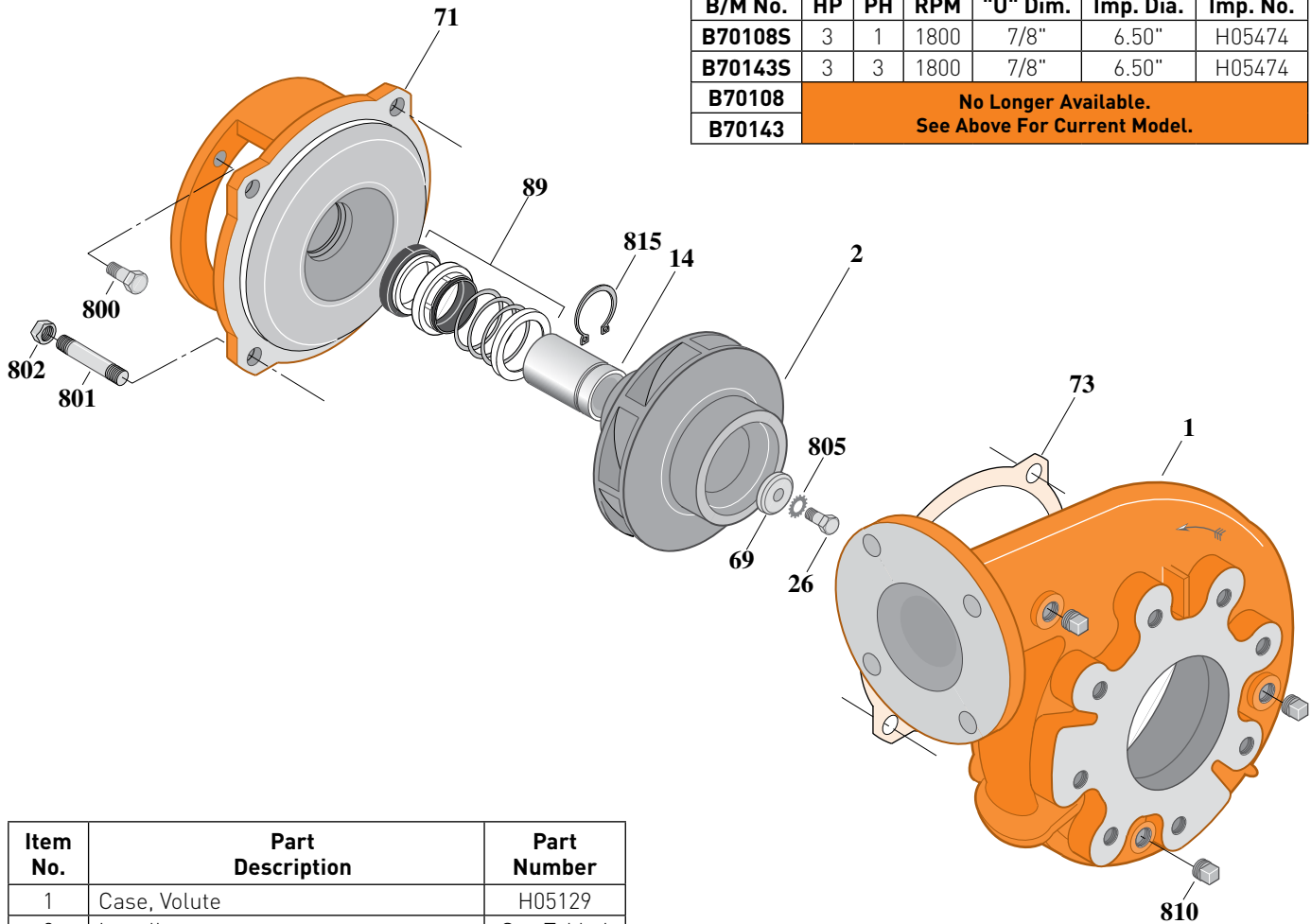
Flanged Case, Mechanical Shaft Seal Construction

ELECTRIC MOTOR DRIVE

Section	CC
Page	170.6
Date	March 4, 2013
Supersedes 01/01/04	

Table I

B/M No.	HP	PH	RPM	"U" Dim.	Imp. Dia.	Imp. No.
B70108S	3	1	1800	7/8"	6.50"	H05474
B70143S	3	3	1800	7/8"	6.50"	H05474
B70108	No Longer Available. See Above For Current Model.					
B70143	No Longer Available. See Above For Current Model.					



1482 0195

Item No.	Part Description	Part Number
1	Case, Volute	H05129
2	Impeller	See Table I
14	Sleeve, Shaft	S19310L
26	Screw, Impeller 3/8 - 16 x 1"	S23566
32	Key, 3/16 x 1-1/4" [See Note]	S34383
69	Washer, Impeller	S06314
71	Bracket	See Table II
73	Gasket, Volute	S04757
89	Seal, Mechanical Shaft	S32014
800A	Cap screw, 3/8 - 16 x 1"	S23566
800B	Cap screw, 3/8 - 16 x 1" [4 Req.]	S26826
801	Stud, 1/2 - 13 x 1-1/2" [4 Req.]	S24043
802	Nut, 1/2 - 13 [4 Req.]	S23107
805	Washer, Lock	S23036
810	Plug, Pipe 1/4 NPT [5 Req.]	S23715
815	Ring, Retaining	S11207

Table II

HP	PH	Bracket No.	"AK" Fit	"U" Dim.	Motor Frame
3	1	L05329	4-1/2"	7/8"	184JM
3	3	L05329	4-1/2"	7/8"	182JM

NOTE: For an explanation of the tabulated material found on this page and for impeller key location, refer to **Supplement A** located at the beginning of this section.



BERKELEY® B3TPHS

Bronze Impeller

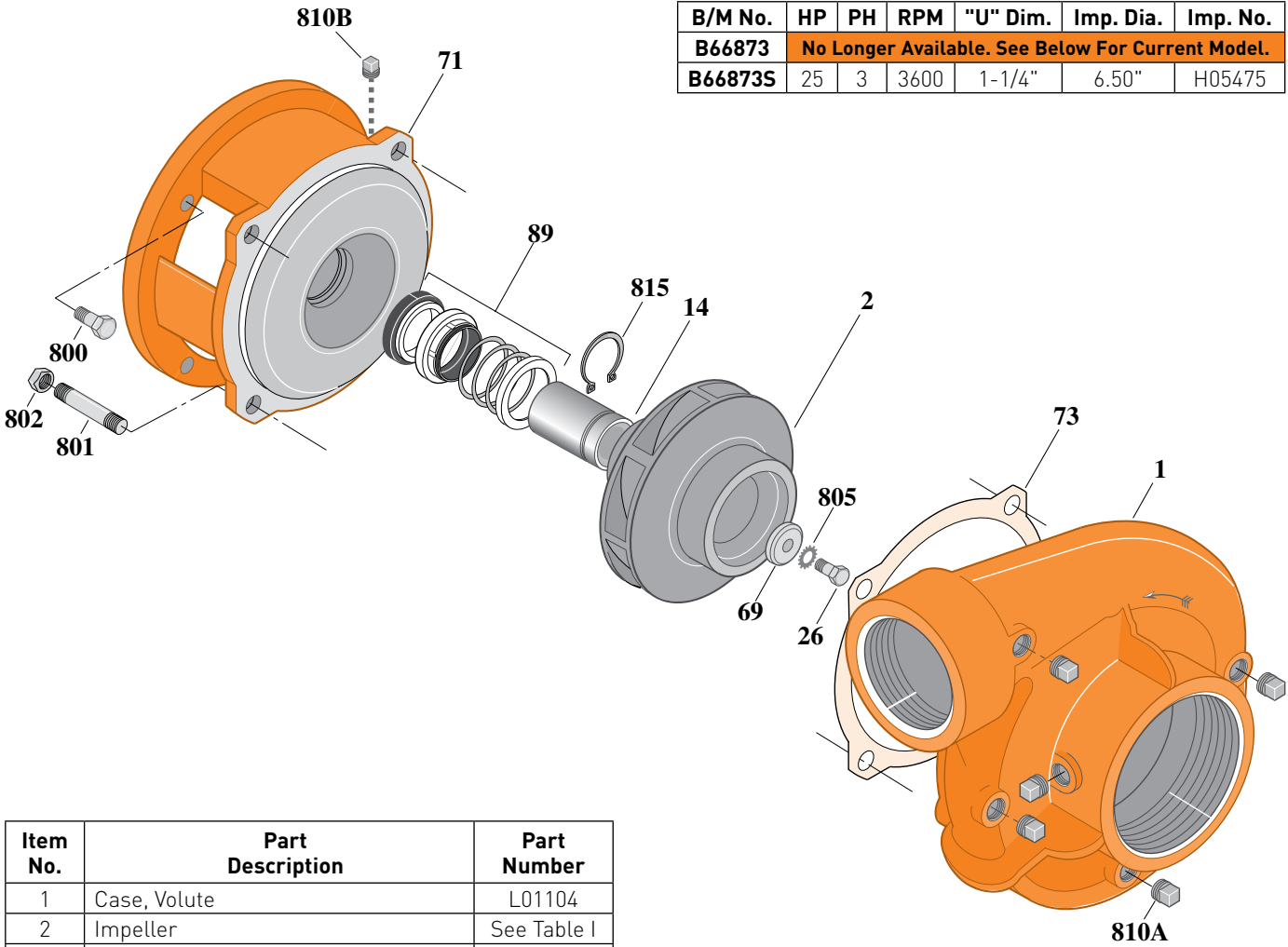
Threaded Case (NPT), Mechanical Shaft Seal Construction

ELECTRIC MOTOR DRIVE

Section	CC
Page	170.7
Date	March 4, 2013
Supersedes 01/01/04	

Table I

B/M No.	HP	PH	RPM	"U" Dim.	Imp. Dia.	Imp. No.
B66873	No Longer Available. See Below For Current Model.					
B66873S	25	3	3600	1-1/4"	6.50"	H05475



1490 0195

Item No.	Part Description	Part Number
1	Case, Volute	L01104
2	Impeller	See Table I
14	Sleeve, Shaft	S18869
26	Screw, Impeller 3/8 - 16 x 1"	S23566
32	Key, 1/4 x 2-1/4" [See Note]	S23677
69	Washer, Impeller	S06319
71	Bracket	See Table II
73	Gasket, Volute	S04757
89	Seal, Mechanical Shaft	S32015
800A	Capscrew, 1/2 - 13 x 1"	S23619
800B	Capscrew, 1/2 - 13 x 1" [4 Req.]	S26912
801	Stud, 1/2 - 13 x 1-1/2" [4 Req.]	S24043
802	Nut, 1/2 - 13 [4 Req.]	S23107
805	Washer, Lock	S23038
810	Plug, Pipe [5 Req.]	S23715
815	Ring, Retaining	S16767

Table II

HP	PH	Bracket No.	"AK" Fit	"U" Dim.	Motor Frame
25	3	L05779	8-1/2"	1-1/4"	256JM

NOTE: For an explanation of the tabulated material found on this page and for impeller key location, refer to **Supplement A** located at the beginning of this section.



BERKELEY® B3TPHS

Bronze Impeller

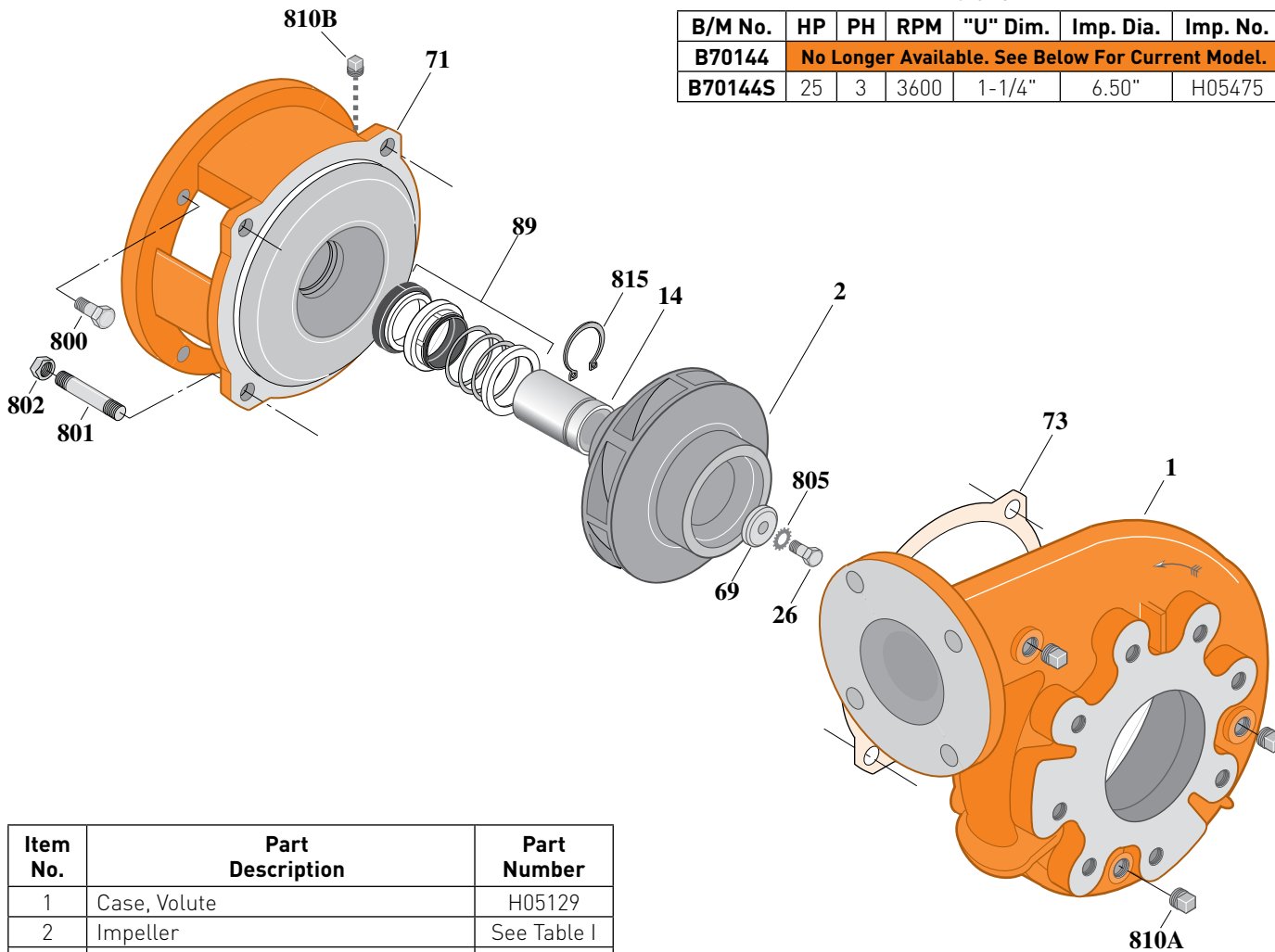
Flanged Case, Mechanical Shaft Seal Construction

ELECTRIC MOTOR DRIVE

Section	CC
Page	170.8
Date	March 4, 2013
Supersedes 01/01/04	

Table I

B/M No.	HP	PH	RPM	"U" Dim.	Imp. Dia.	Imp. No.
B70144	No Longer Available. See Below For Current Model.					
B70144S	25	3	3600	1-1/4"	6.50"	H05475



1491 0195

Item No.	Part Description	Part Number
1	Case, Volute	H05129
2	Impeller	See Table I
14	Sleeve, Shaft	S18869
26	Screw, Impeller 3/8 - 16 x 1"	S23566
32	Key, 1/4 x 2-1/4" (See Note)	S23677
69	Washer, Impeller	S06319
71	Bracket	See Table II
73	Gasket, Volute	S04757
89	Seal, Mechanical Shaft	S32015
800A	Capscrew, 1/2 - 13 x 1"	S23619
800B	Capscrew, 1/2 - 13 x 1" (4 Req.)	S26912
801	Stud, 1/2 - 13 x 1-1/2" (4 Req.)	S24043
802	Nut, 1/2 - 13 (4 Req.)	S23107
805	Washer, Lock	S23038
810	Plug, Pipe 1/4 NPT (5 Req.)	S23715
815	Ring, Retaining	S16767

Table II

HP	PH	Bracket No.	"AK" Fit	"U" Dim.	Motor Frame
25	3	L05779	8-1/2"	1-1/4"	256JM

NOTE: For an explanation of the tabulated material found on this page and for impeller key location, refer to **Supplement A** located at the beginning of this section.



BERKELEY® B3TPHHS Silicon Bronze Impeller

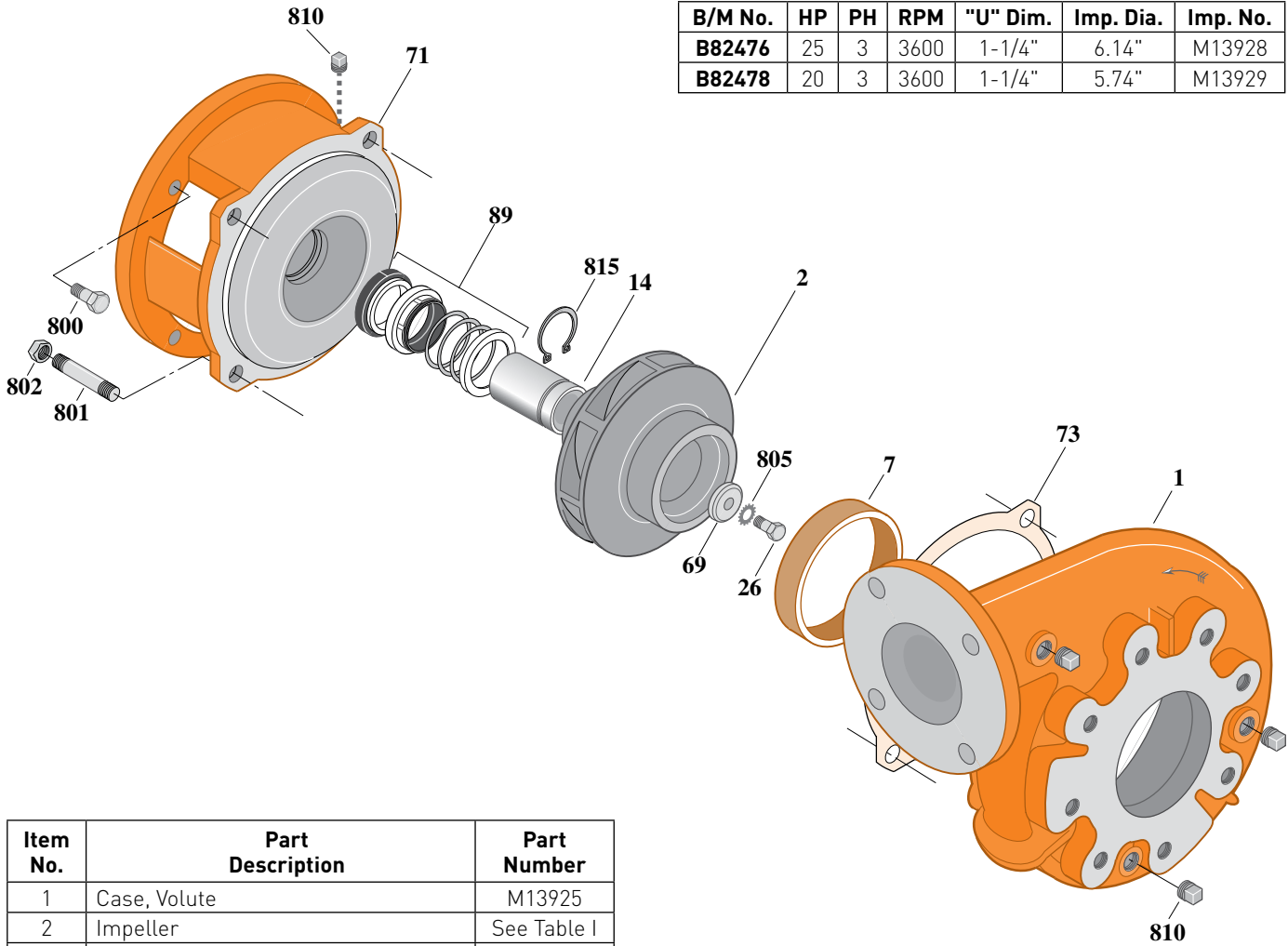
Flanged Case, Mechanical Shaft Seal Construction

ELECTRIC MOTOR DRIVE

Section	CC
Page	170.9
Date	March 4, 2013
Supersedes 01/01/04	

Table I

B/M No.	HP	PH	RPM	"U" Dim.	Imp. Dia.	Imp. No.
B82476	25	3	3600	1-1/4"	6.14"	M13928
B82478	20	3	3600	1-1/4"	5.74"	M13929



4475 1203

Item No.	Part Description	Part Number
1	Case, Volute	M13925
2	Impeller	See Table I
7	Ring, Wearing	M13926
14	Sleeve, Shaft	S18869
26	Screw, Impeller 1/2 - 13 x 1"	S23619
32	Key, 1/4 x 2-1/4" (See Note)	S23677
69	Washer, Impeller	M13927
71	Bracket	See Table II
73	Gasket, Volute	S04757
89	Seal, Mechanical Shaft	S32015
800	Cap screw, 1/2 - 13 x 1" [4 Req.]	S26912
801	Stud, 1/2 - 13 x 1-1/2" [4 Req.]	S24043
802	Nut, 1/2 - 13 [4 Req.]	S26460
805	Washer, Lock	S23038
810	Plug, Pipe 1/4 NPT [5 Req.]	S23715
815	Ring, Retaining	S16767

Table II

HP	PH	Bracket No.	"AK" Fit	"U" Dim.	Motor Frame
25	3	L05779	8-1/2"	1-1/4"	256JM
20	3	L05779	8-1/2"	1-1/4"	254JM

NOTE: For an explanation of the tabulated material found on this page and for impeller key location, refer to **Supplement A** located at the beginning of this section.



BERKELEY® B3TPH

Silicon Bronze Impeller

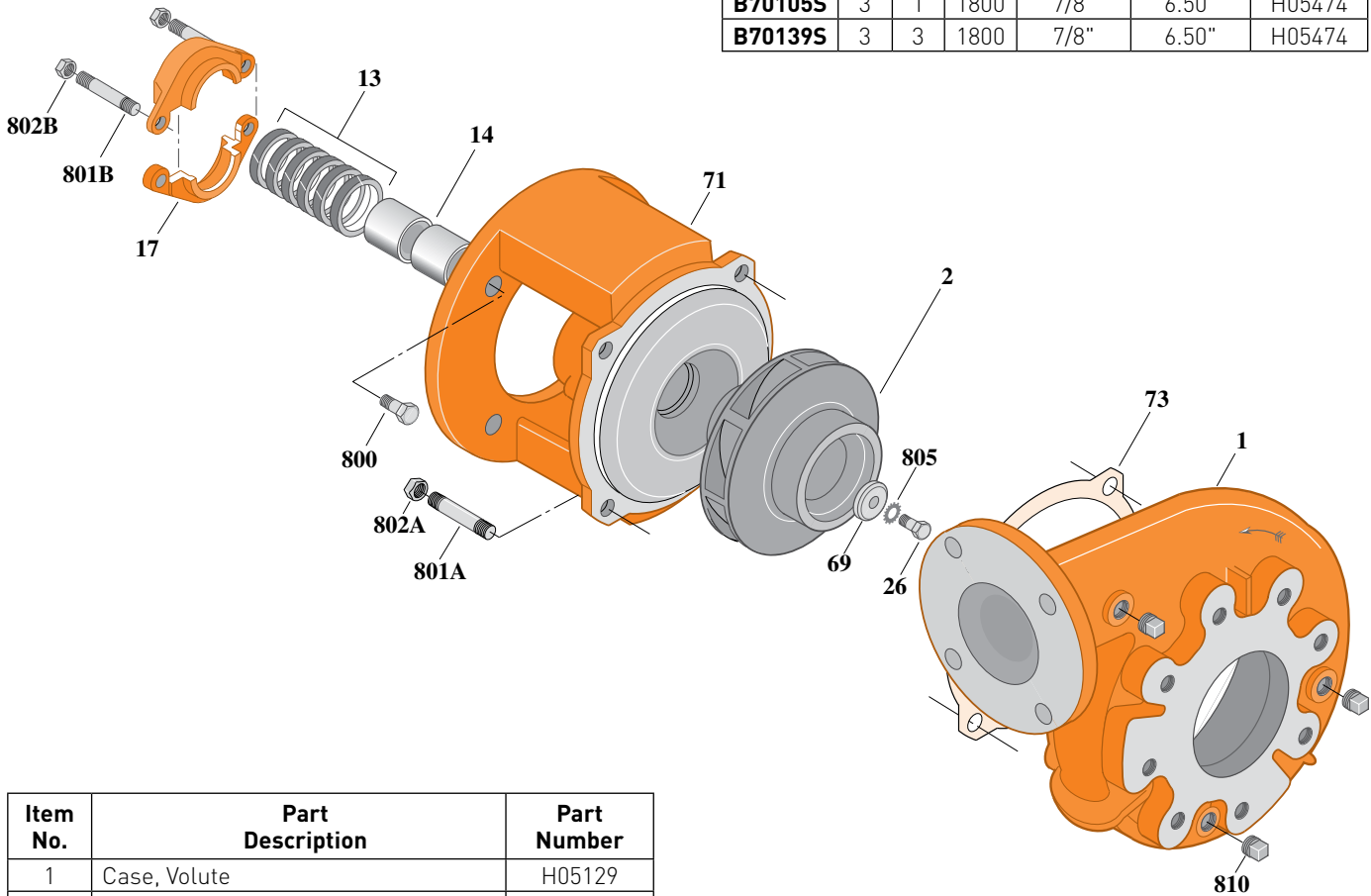
Flanged Case, Packing Construction

ELECTRIC MOTOR DRIVE

Section	CC
Page	170.10
Date	March 4, 2013
Supersedes 09/01/97	

Table I

B/M No.	HP	PH	RPM	"U" Dim.	Imp. Dia.	Imp. No.
B70105S	3	1	1800	7/8"	6.50"	H05474
B70139S	3	3	1800	7/8"	6.50"	H05474



1792 0595

Item No.	Part Description	Part Number
1	Case, Volute	H05129
2	Impeller	See Table I
13	Rings, Packing (Set of 6)	S13469
14	Sleeve, Shaft (2 Req.)	S00619
17	Gland, Packing	S00393
26	Screw, Impeller 3/8 - 16 x 1"	S23566
32	Key, 3/16 x 1-1/4" (See Note)	S34383
69	Washer, Impeller	S06314
71	Bracket	See Table II
73	Gasket, Volute	S04757
800	Capscrew, 3/8 - 16 x 7/8" (4 Req.)	S26825
801A	Stud, 1/2 - 13 x 1-1/2" (4 Req.)	S24043
801B	Stud, 3/8 - 16 x 4" (2 Req.)	S08303
802A	Nut, Hex 1/2 - 13 (4 Req.)	S23107
802B	Nut, Hex 3/8 - 16 (2 Req.)	S23343
805	Washer, Lock	S23036
810	Plug, Pipe 1/4" NPT (3 Req.)	S23715

Table II

HP	PH	Bracket No.	"AK" Fit	"U" Dim.	Motor Frame
3	1	L01525	4-1/2"	7/8"	184JP
3	3	L01525	4-1/2"	7/8"	182JP

NOTE: For an explanation of the tabulated material found on this page and for impeller key location, refer to **Supplement A** located at the beginning of this section.



BERKELEY® B3TPH Silicon Bronze Impeller

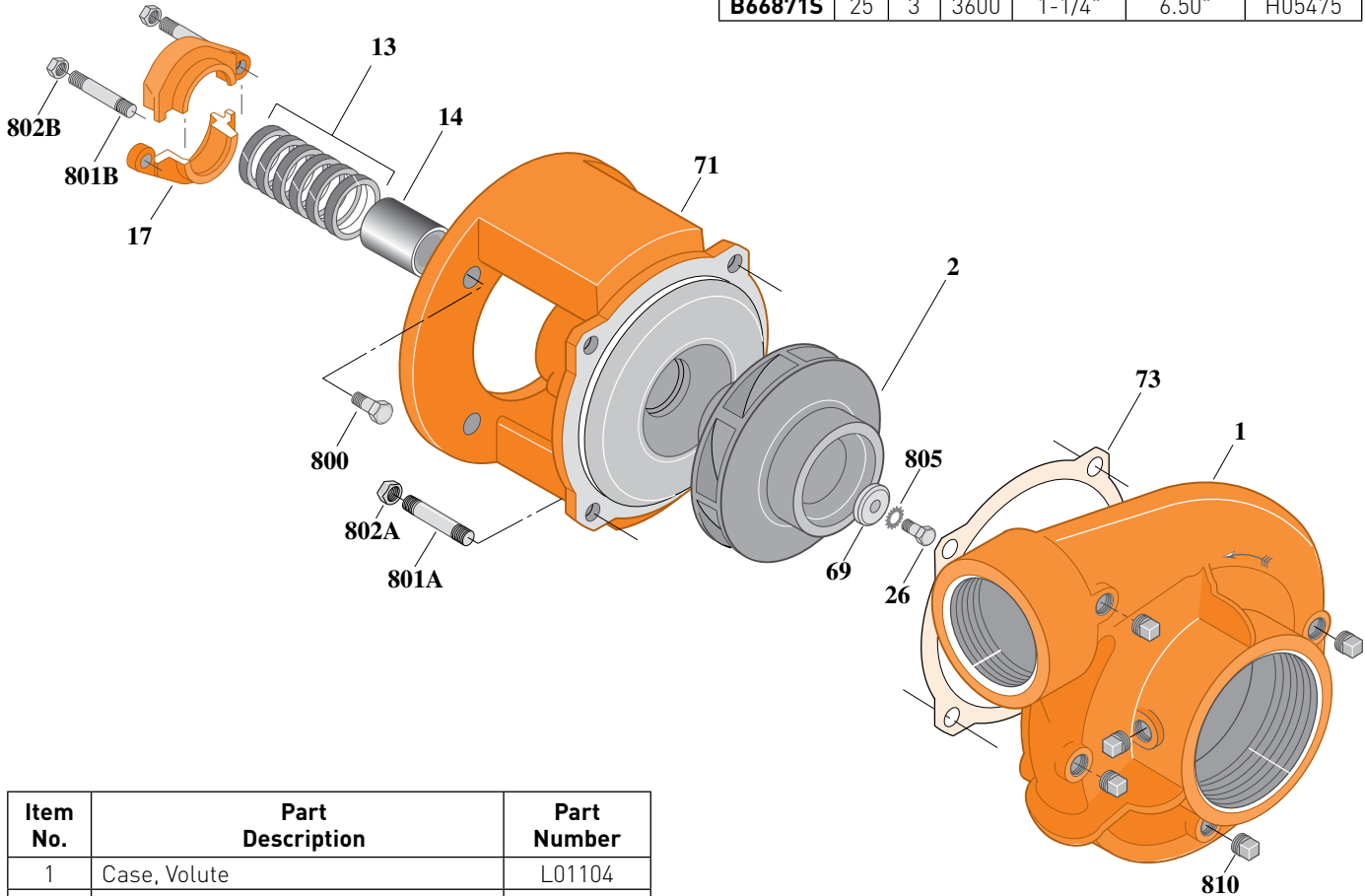
Threaded Case (NPT), Packing Construction

ELECTRIC MOTOR DRIVE

Section	CC
Page	170.11
Date	March 4, 2013
Supersedes 09/01/97	

Table I

B/M No.	HP	PH	RPM	"U" Dim.	Imp. Dia.	Imp. No.
B66871S	25	3	3600	1-1/4"	6.50"	H05475



1793 0595

Item No.	Part Description	Part Number
1	Case, Volute	L01104
2	Impeller	See Table I
13	Rings, Packing (Set of 6)	S13470
14	Sleeve, Shaft	S05149
17	Gland, Packing	S12034
26	Screw, Impeller 1/2 - 13 x 1"	S23619
32	Key, 1/4 x 2-1/4" (See Note)	S23677
69	Washer, Impeller	S06319
71	Bracket	See Table II
73	Gasket, Volute	S04757
800	Capscrew, 1/2 - 13 x 1" (4 Req.)	S26912
801A	Stud, 1/2 - 13 x 1-1/2" (4 Req.)	S24043
801B	Stud, 3/8 - 16 x 3-1/2" (2 Req.)	S04441
802A	Nut, Hex 1/2 - 13 (4 Req.)	S23107
802B	Nut, Hex 3/8 - 16 (2 Req.)	S23343
805	Washer, Lock	S23038
810	Plug, Pipe 1/4" NPT (5 Req.)	S23715

Table II

HP	PH	Bracket No.	"AK" Fit	"U" Dim.	Motor Frame
25	3	L01951	8-1/2"	1-1/4"	256JP

NOTE: For an explanation of the tabulated material found on this page and for impeller key location, refer to **Supplement A** located at the beginning of this section.



BERKELEY® B3TPH

Silicon Bronze Impeller

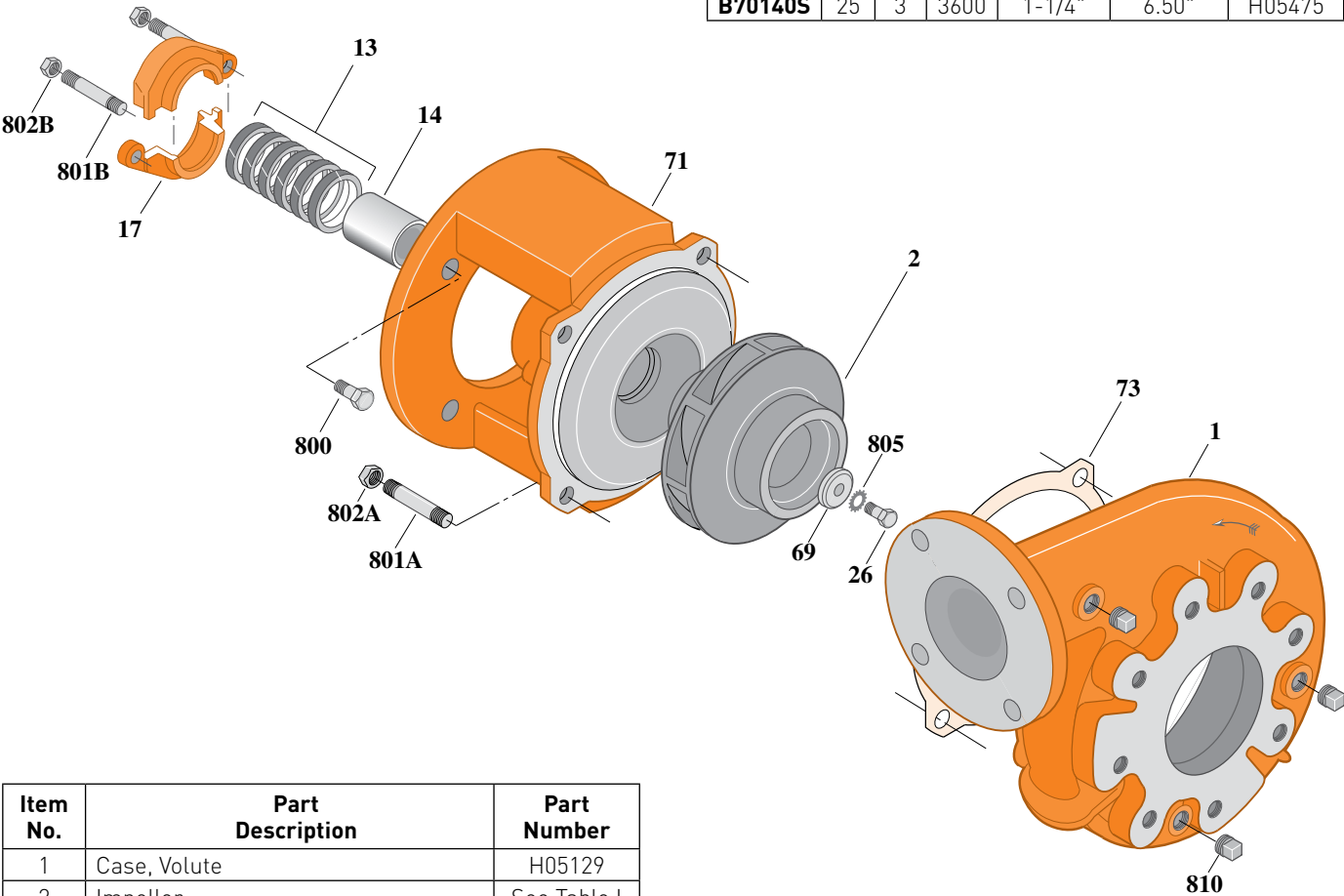
Flanged Case, Packing Construction

ELECTRIC MOTOR DRIVE

Section	CC
Page	170.12
Date	March 4, 2013
Supersedes 09/01/97	

Table I

B/M No.	HP	PH	RPM	"U" Dim.	Imp. Dia.	Imp. No.
B70140S	25	3	3600	1-1/4"	6.50"	H05475



1794 0595

Item No.	Part Description	Part Number
1	Case, Volute	H05129
2	Impeller	See Table I
13	Rings, Packing (Set of 6)	S13470
14	Sleeve, Shaft	S05149
17	Gland, Packing	S12034
26	Screw, Impeller 1/2 - 13 x 1"	S23619
32	Key, 1/4 x 2-1/4" (See Note)	S23677
69	Washer, Impeller	S06319
71	Bracket	See Table II
73	Gasket, Volute	S04757
800	Capscrew, 1/2 - 13 x 1" (4 Req.)	S26912
801A	Stud, 1/2 - 13 x 1-1/2" (4 Req.)	S24043
801B	Stud, 3/8 - 16 x 3-1/2" (2 Req.)	S04441
802A	Nut, Hex 1/2 - 13 (4 Req.)	S23017
802B	Nut, Hex 3/8 - 16 (2 Req.)	S23343
805	Washer, Lock	S23038
810	Plug, Pipe 1/4" NPT (3 Req.)	S23715

Table II

HP	PH	Bracket No.	"AK" Fit	"U" Dim.	Motor Frame
25	3	L01951	8-1/2"	1-1/4"	256JP

NOTE: For an explanation of the tabulated material found on this page and for impeller key location, refer to **Supplement A** located at the beginning of this section.



BERKELEY® B3TPHS Silicon Bronze Impeller

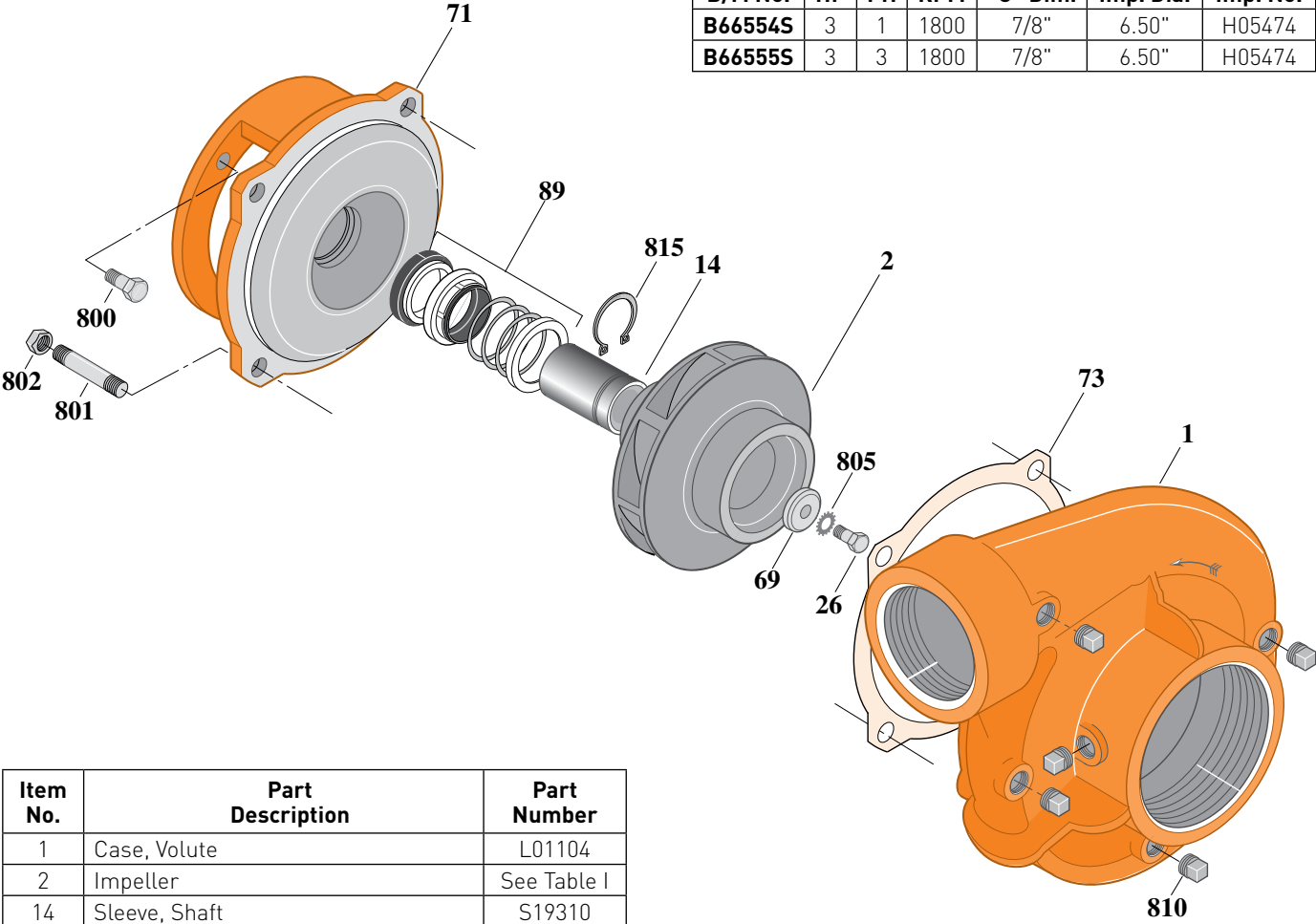
Threaded Case (NPT), Mechanical Shaft Seal Construction

ELECTRIC MOTOR DRIVE

Section	CC
Page	170.13
Date	March 4, 2013
Supersedes 09/01/97	

Table I

B/M No.	HP	PH	RPM	"U" Dim.	Imp. Dia.	Imp. No.
B66554S	3	1	1800	7/8"	6.50"	H05474
B66555S	3	3	1800	7/8"	6.50"	H05474



1481 0195

Item No.	Part Description	Part Number
1	Case, Volute	L01104
2	Impeller	See Table I
14	Sleeve, Shaft	S19310
26	Screw, Impeller 3/8 - 16 x 1"	S23566
32	Key, 3/16 x 1-1/4" [See Note]	S34383
69	Washer, Impeller	S06314
71	Bracket	See Table II
73	Gasket, Volute	S04757
89	Seal, Mechanical Shaft	S32014
800	Capscrew, 3/8 - 16 x 1" (4 Req.)	S26826
801	Stud, 1/2 - 13 x 1-1/2" (4 Req.)	S24043
802	Nut, 1/2 - 13 (4 Req.)	S23107
805	Washer, Lock	S23036
810	Plug, Pipe 1/4" NPT (5 Req.)	S23715
815	Ring, Retaining	S11207
•	Plug, Pipe 1/8" NPT (In Bracket)	S23714

• Not illustrated.

Table II

HP	PH	Bracket No.	"AK" Fit	"U" Dim.	Motor Frame
3	1	L05329	4-1/2"	7/8"	184JM
3	3	L05329	4-1/2"	7/8"	182JM

NOTE 1: For an explanation of the tabulated material found on this page and for impeller key location, refer to **Supplement A** located at the beginning of this section.

NOTE 2: For seal flush line details, see **Supplement D**.



BERKELEY® B3TPHS Silicon Bronze Impeller

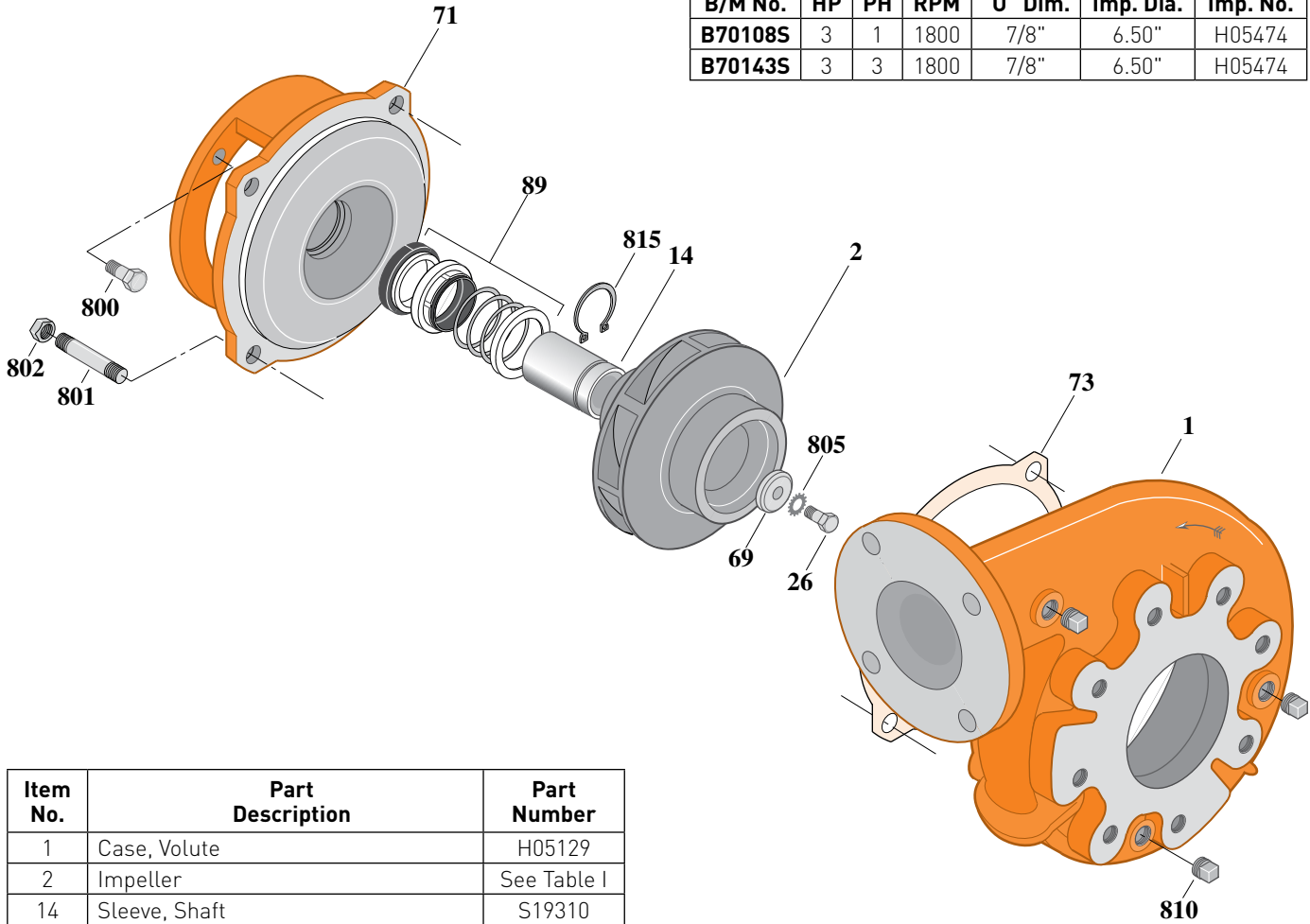
Flanged Case, Mechanical Shaft Seal Construction

ELECTRIC MOTOR DRIVE

Section	CC
Page	170.14
Date	March 4, 2013
Supersedes 09/01/97	

Table I

B/M No.	HP	PH	RPM	"U" Dim.	Imp. Dia.	Imp. No.
B70108S	3	1	1800	7/8"	6.50"	H05474
B70143S	3	3	1800	7/8"	6.50"	H05474



1482 0195

Item No.	Part Description	Part Number
1	Case, Volute	H05129
2	Impeller	See Table I
14	Sleeve, Shaft	S19310
26	Screw, Impeller 3/8 - 16 x 1"	S23566
32	Key, 3/16 x 1-1/4" [See Note]	S34383
69	Washer, Impeller	S06314
71	Bracket	See Table II
73	Gasket, Volute	S04757
89	Seal, Mechanical Shaft	S32014
800	Capscrew, 3/8 - 16 x 1" [4 Req.]	S26826
801	Stud, 1/2 - 13 x 1-1/2" [4 Req.]	S24043
802	Nut, 1/2 - 13 [4 Req.]	S23107
805	Washer, Lock	S23036
810	Plug, Pipe 1/4" NPT [3 Req.]	S23715
815	Ring, Retaining	S11207
•	Plug, Pipe 1/8" NPT (In Bracket)	S23714

• Not illustrated.

Table II

HP	PH	Bracket No.	"AK" Fit	"U" Dim.	Motor Frame
3	1	L05329	4-1/2"	7/8"	184JM
3	3	L05329	4-1/2"	7/8"	182JM

NOTE 1: For an explanation of the tabulated material found on this page and for impeller key location, refer to **Supplement A** located at the beginning of this section.

NOTE 2: For seal flush line details, see **Supplement D**.



BERKELEY® B3TPHS Silicon Bronze Impeller

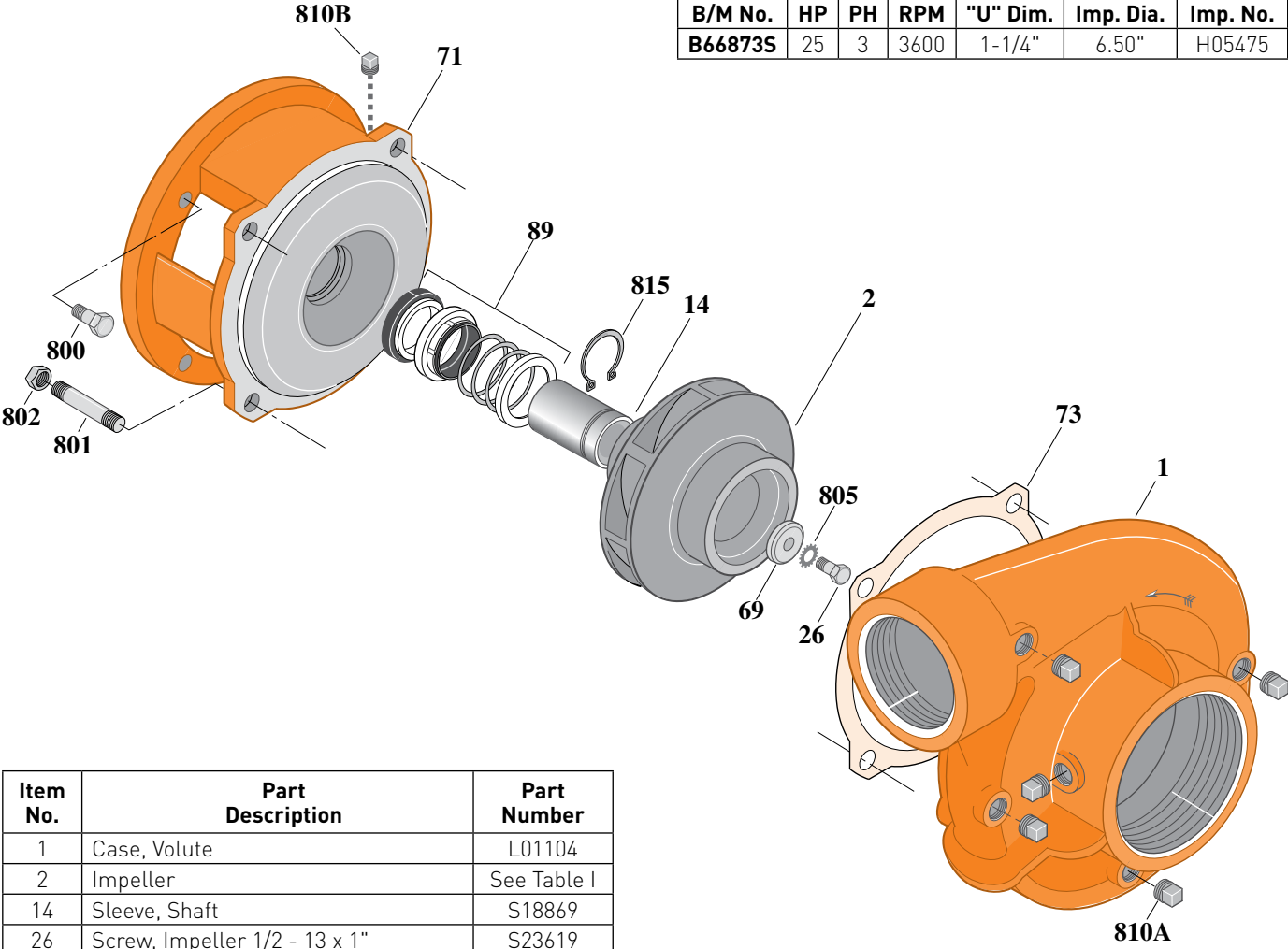
Threaded Case (NPT), Mechanical Shaft Seal Construction

ELECTRIC MOTOR DRIVE

Section	CC
Page	170.15
Date	March 4, 2013
Supersedes 09/01/97	

Table I

B/M No.	HP	PH	RPM	"U" Dim.	Imp. Dia.	Imp. No.
B66873S	25	3	3600	1-1/4"	6.50"	H05475



1490 0195

Item No.	Part Description	Part Number
1	Case, Volute	L01104
2	Impeller	See Table I
14	Sleeve, Shaft	S18869
26	Screw, Impeller 1/2 - 13 x 1"	S23619
32	Key, 1/4 x 2-1/4" (See Note)	S23677
69	Washer, Impeller	S06319
71	Bracket	See Table II
73	Gasket, Volute	S04757
89	Seal, Mechanical Shaft	S32015
800	Capscrew, 1/2 - 13 x 1" (4 Req.)	S26912
801	Stud, 1/2 - 13 x 1-1/2" (4 Req.)	S24043
802	Nut, 1/2 - 13 (4 Req.)	S23107
805	Washer, Lock	S23038
810A	Plug, Pipe 1/4" NPT (5 Req.)	S23715
810B	Plug, Pipe 1/8" NPT (In Bracket)	S23714
815	Ring, Retaining	S16767

• Not illustrated.

Table II

HP	PH	Bracket No.	"AK" Fit	"U" Dim.	Motor Frame
25	3	L05779	8-1/2"	1-1/4"	256JM

NOTE 1: For an explanation of the tabulated material found on this page and for impeller key location, refer to **Supplement A** located at the beginning of this section.

NOTE 2: For seal flush line details, see **Supplement D**.



BERKELEY® B3TPHS Silicon Bronze Impeller

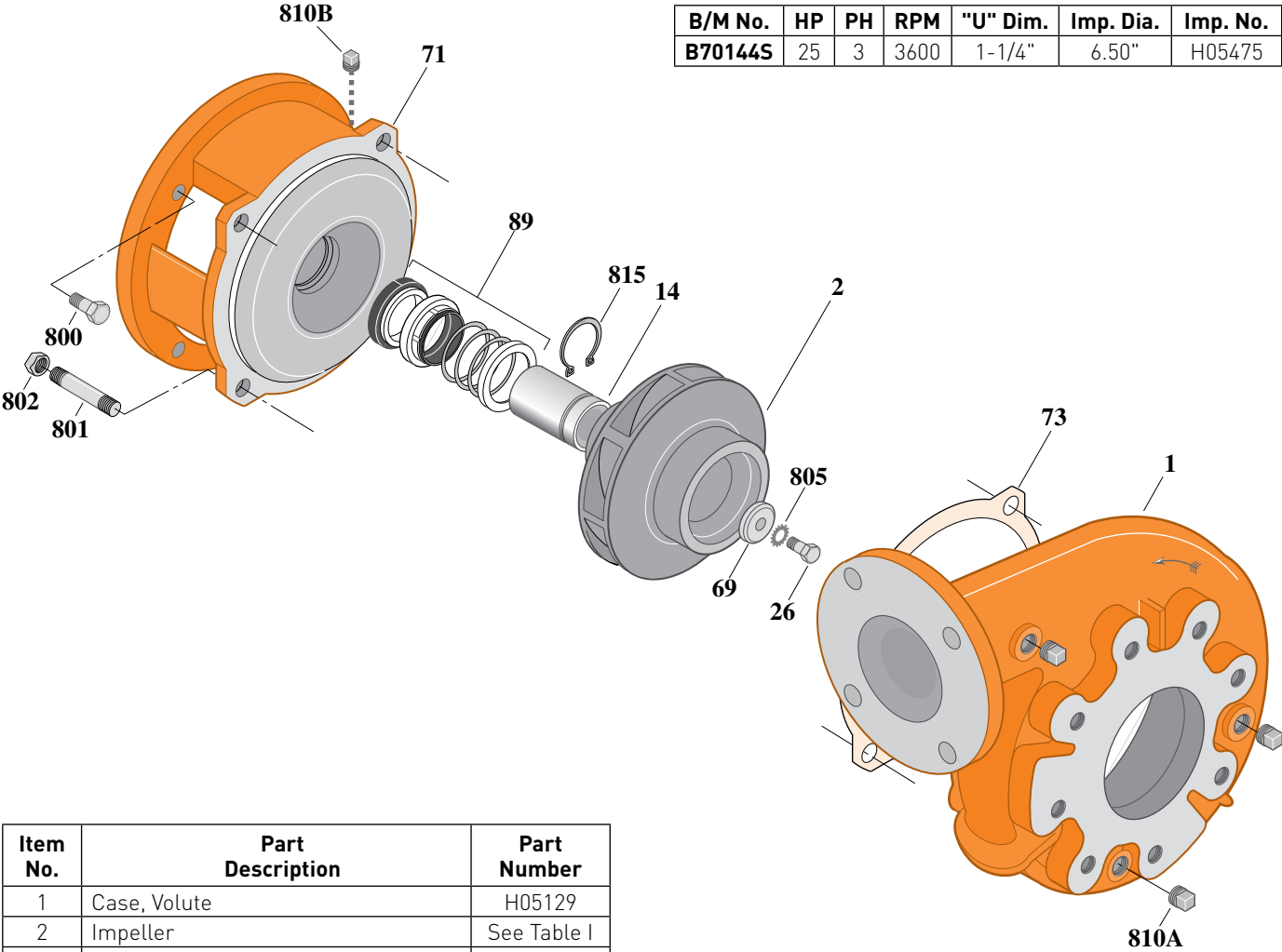
Flanged Case, Mechanical Shaft Seal Construction

ELECTRIC MOTOR DRIVE

Section	CC
Page	170.16
Date	March 4, 2013
Supersedes 09/01/97	

Table I

B/M No.	HP	PH	RPM	"U" Dim.	Imp. Dia.	Imp. No.
B70144S	25	3	3600	1-1/4"	6.50"	H05475



1491 0195

Item No.	Part Description	Part Number
1	Case, Volute	H05129
2	Impeller	See Table I
14	Sleeve, Shaft	S18869
26	Screw, Impeller 1/2 - 13 x 1"	S23619
32	Key, 1/4 x 2-1/4" [See Note]	S23677
69	Washer, Impeller	S06319
71	Bracket	See Table II
73	Gasket, Volute	S04757
89	Seal, Mechanical Shaft	S32015
800	Capscrew, 1/2 - 13 x 1" [4 Req.]	S26912
801	Stud, 1/2 - 13 x 1-1/2" [4 Req.]	S24043
802	Nut, 1/2 - 13 [4 Req.]	S23107
805	Washer, Lock	S23038
810A	Plug, Pipe 1/4" NPT [3 Req.]	S23715
810B	Plug, Pipe 1/8" NPT [In Bracket]	S23714
815	Ring, Retaining	S16767

Table II

HP	PH	Bracket No.	"AK" Fit	"U" Dim.	Motor Frame
25	3	L05779	8-1/2"	1-1/4"	256JM

NOTE 1: For an explanation of the tabulated material found on this page and for impeller key location, refer to **Supplement A** located at the beginning of this section.

NOTE 2: For seal flush line details, see **Supplement D**.



BERKELEY® B3TPHH

Silicon Bronze Impeller

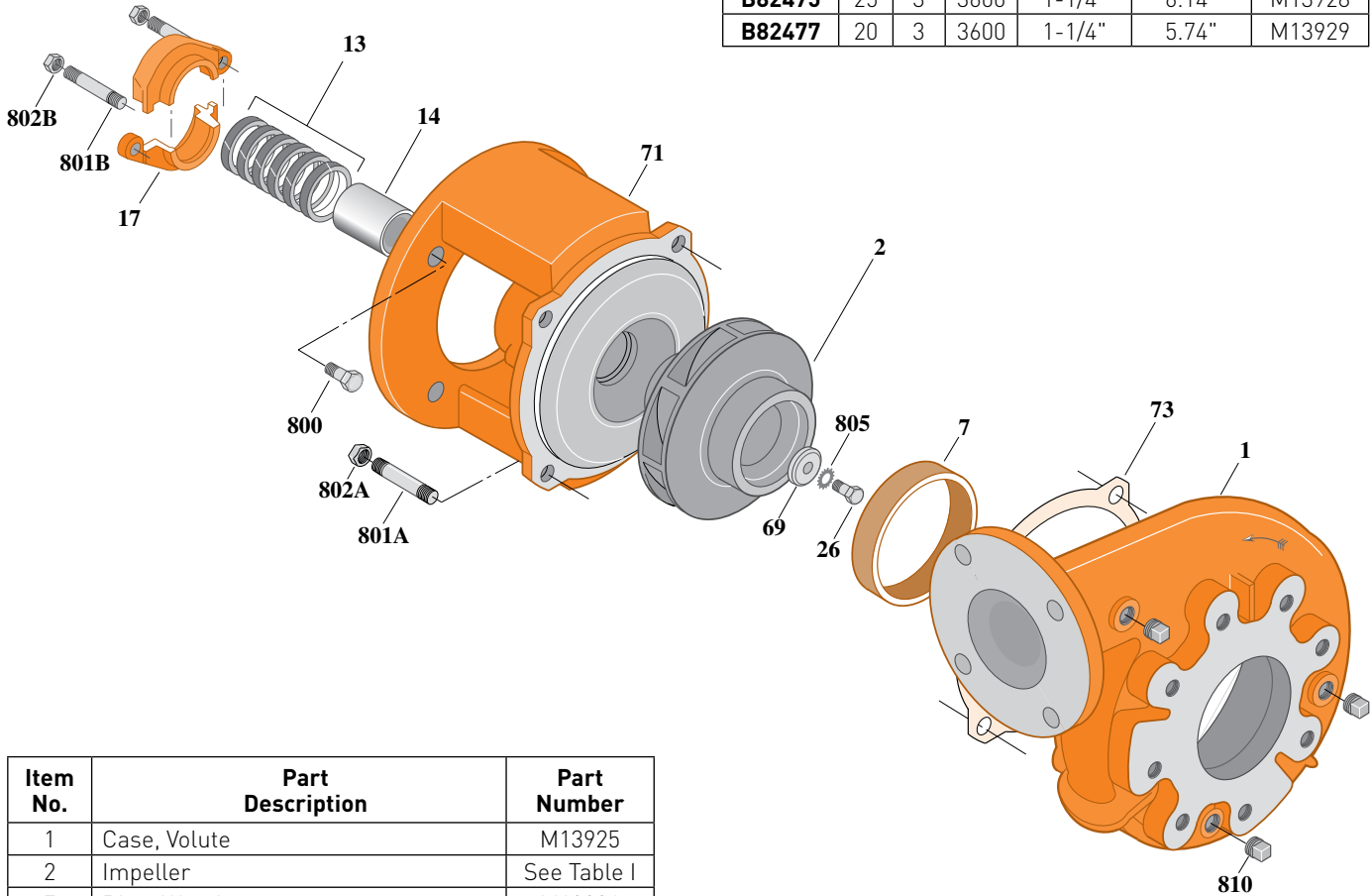
Flanged Case, Packing Construction

ELECTRIC MOTOR DRIVE

Section	CC
Page	170.45
Date	March 4, 2013
Supersedes 01/01/04	

Table I

B/M No.	HP	PH	RPM	"U" Dim.	Imp. Dia.	Imp. No.
B82475	25	3	3600	1-1/4"	6.14"	M13928
B82477	20	3	3600	1-1/4"	5.74"	M13929



4474 1203

Item No.	Part Description	Part Number
1	Case, Volute	M13925
2	Impeller	See Table I
7	Ring, Wearing	M13926
13	Rings, Packing (Set of 6)	S13470
14	Sleeve, Shaft	S05149
17	Gland, Packing	B82470
26	Screw, Impeller 1/2 - 13 x 1"	S23619
32	Key, 1/4 x 2-1/4" (See Note)	S23677
69	Washer, Impeller	M13927
71	Bracket	See Table II
73	Gasket, Volute	S04757
800	Capscrew, 1/2 - 13 x 1" (4 Req.)	S26912
801A	Stud, 1/2 - 13 x 1-1/2" (4 Req.)	S24043
801B	Stud, 3/8 - 16 x 3-1/2" (2 Req.)	S04441
802A	Nut, Hex 1/2 - 13 (2 Req.)	S26460
802B	Nut, Hex 3/8 - 16 (3 Req.)	S23343
805	Washer, Lock	S23038
810	Plug, Pipe 1/4 NPT (5 Req.)	S23715

Table II

HP	PH	Bracket No.	"AK" Fit	"U" Dim.	Motor Frame
25	3	L01951	8-1/2"	1-1/4"	256JP
20	3	L01951	8-1/2"	1-1/4"	254JP

NOTE: For an explanation of the tabulated material found on this page and for impeller key location, refer to **Supplement A** located at the beginning of this section.



BERKELEY® B3ZPL

Cast Iron Impeller

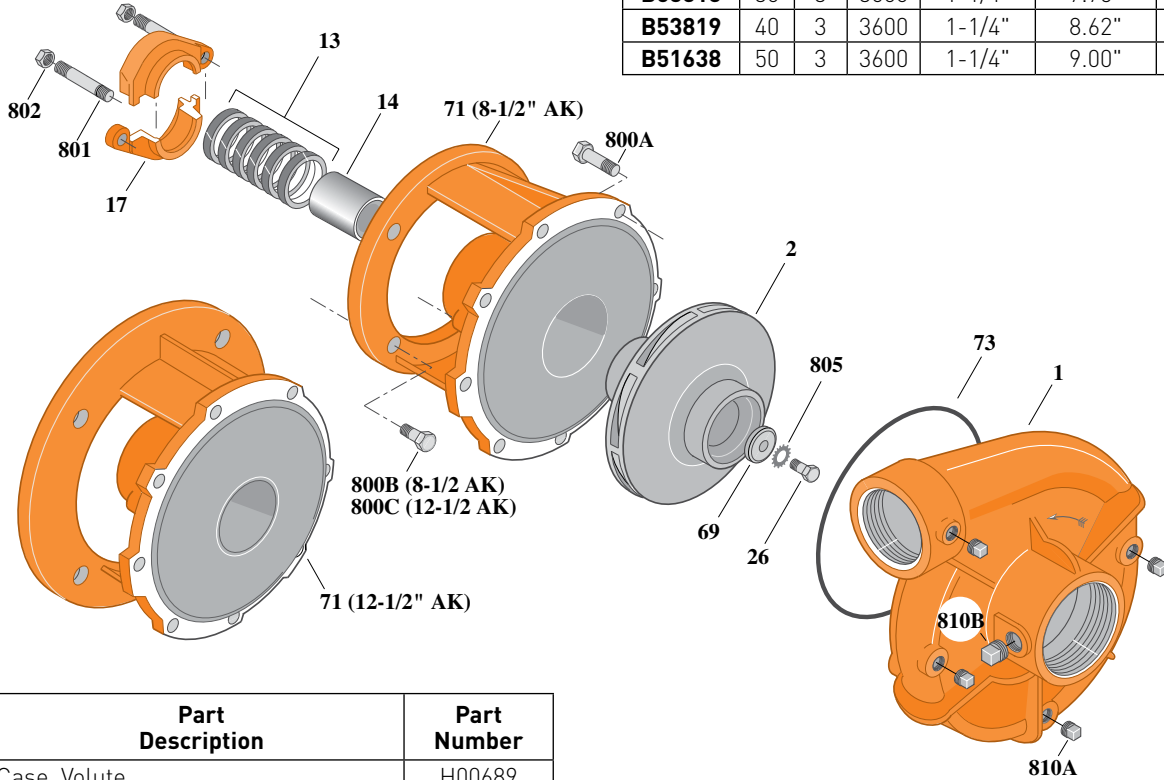
Threaded Case (NPT), Packing Construction

ELECTRIC MOTOR DRIVE

Section	CC
Page	180.1
Date	March 4, 2013
Supersedes 07/01/11	

Table I

B/M No.	HP	PH	RPM	"U" Dim.	Imp. Dia.	Imp. No.
B51634	20	3	3600	1-1/4"	6.75"	M07705
B51635	25	3	3600	1-1/4"	7.25"	M07706
B53818	30	3	3600	1-1/4"	7.75"	M07707
B53819	40	3	3600	1-1/4"	8.62"	M07708
B51638	50	3	3600	1-1/4"	9.00"	M03380



1746 1210

Item No.	Part Description	Part Number
1	Case, Volute	H00689
2	Impeller	See Table I
13	Rings, Packing (Set of 6)	S13470
14	Sleeve, Shaft	S05149L
17	Gland, Packing	B82470
26	Screw, Impeller 1/2 - 13 x 1-1/2"	S23623
32	Key, 1/4 x 2-1/4" [See Note 1]	S23677
69	Washer, Impeller	S06319
71	Bracket	See Table II
73	O-Ring [See Note 2]	M14943
800A	Capscrew, 3/8 - 16 x 1-1/8" [8 Req.]	S26827
800B	Capscrew, 1/2 - 13 x 1-1/2" [4 Req.]	S26916
800C	Capscrew, 5/8 - 11 x 1-1/2" [4 Req.]	S26999
801	Stud, 3/8 - 16 x 4" [2 Req.]	S08303
802	Nut, Hex 3/8 - 16 [2 Req.]	S23343
805	Washer, Lock	S23038
810A	Plug, Pipe 1/4 NPT [4 Req.]	S23715
810B	Plug, Pipe 1/2 NPT	S23717

Table II

HP	PH	Bracket No.	"AK" Fit	"U" Dim.	Motor Frame
20	3	L03827	8-1/2"	1-1/4"	254JP
25	3	L03827	8-1/2"	1-1/4"	256JP
30	3	L01563	12-1/2"	1-1/4"	284JP
40	3	L01563	12-1/2"	1-1/4"	286JP
50	3	L01563	12-1/2"	1-1/4"	324JP

NOTE 1: For an explanation of the tabulated material found on this page and for impeller key location, refer to **Supplement A** located at the beginning of this section.

NOTE 2: Also accepts gasket **S05126** as replacement for O-Ring. See **Supplement E** located at the beginning of this section.



BERKELEY® B3ZPL

Cast Iron Impeller

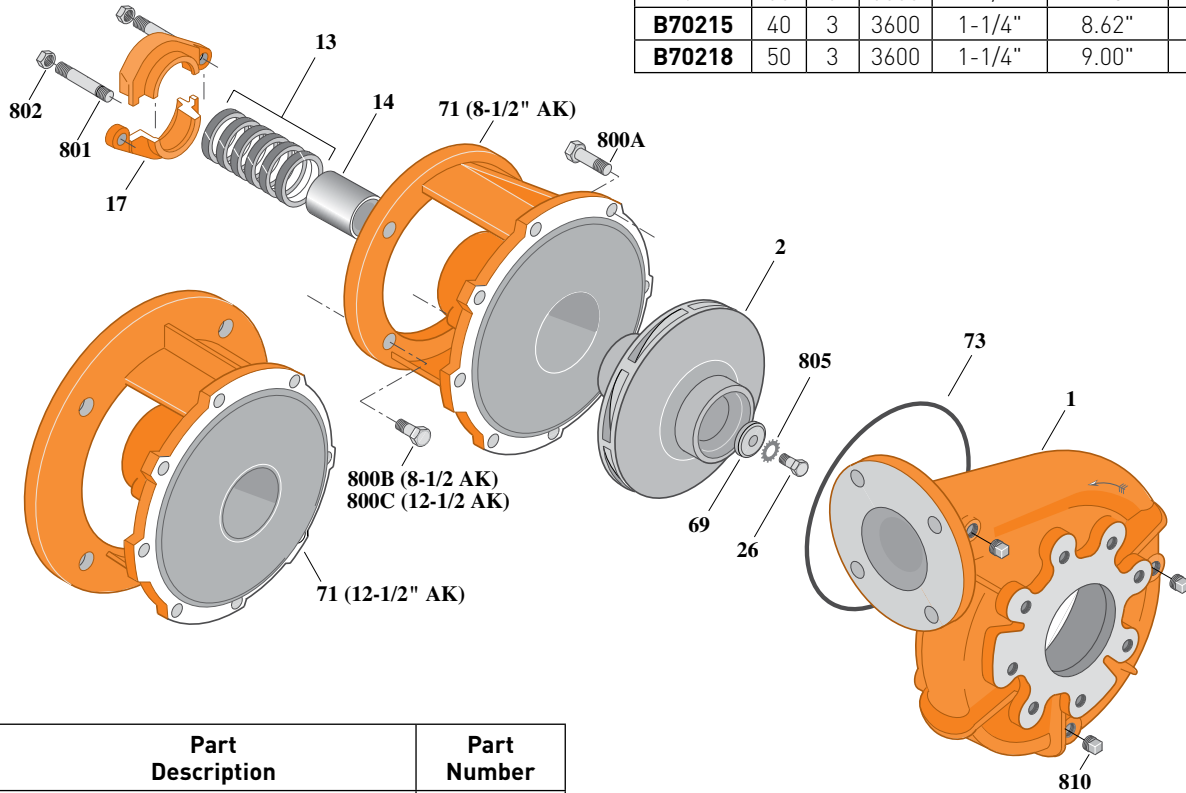
Flanged Case, Packing Construction

ELECTRIC MOTOR DRIVE

Section	CC
Page	180.2
Date	March 4, 2013
Supersedes 07/01/11	

Table I

B/M No.	HP	PH	RPM	"U" Dim.	Imp. Dia.	Imp. No.
B70206	20	3	3600	1-1/4"	6.75"	M07705
B70209	25	3	3600	1-1/4"	7.25"	M07706
B70212	30	3	3600	1-1/4"	7.75"	M07707
B70215	40	3	3600	1-1/4"	8.62"	M07708
B70218	50	3	3600	1-1/4"	9.00"	M03380



1747 1210

Item No.	Part Description	Part Number
1	Case, Volute	H05130
2	Impeller	See Table I
13	Rings, Packing (Set of 6)	S13470
14	Sleeve, Shaft	S05149L
17	Gland, Packing	B82470
26	Screw, Impeller 1/2 - 13 x 1-1/2"	S23623
32	Key, 1/4 x 2-1/4" [See Note 1]	S23677
69	Washer, Impeller	S06319
71	Bracket	See Table II
73	O-Ring [See Note 2]	M14943
800A	Capscrew, 3/8 - 16 x 1" [8 Req.]	S26826
800B	Capscrew, 1/2 - 13 x 1-1/2" [4 Req.]	S26916
800C	Capscrew, 5/8 - 11 x 1-1/2" [4 Req.]	S26999
801	Stud, 3/8 - 16 x 4" [2 Req.]	S08303
802	Nut, Hex 3/8 - 16 [2 Req.]	S23343
805	Washer, Lock	S23038
810	Plug, Pipe 1/4 NPT [3 Req.]	S23715

Table II

HP	PH	Bracket No.	"AK" Fit	"U" Dim.	Motor Frame
20	3	L03827	8-1/2"	1-1/4"	254JP
25	3	L03827	8-1/2"	1-1/4"	256JP
30	3	L01563	12-1/2"	1-1/4"	284JP
40	3	L01563	12-1/2"	1-1/4"	286JP
50	3	L01563	12-1/2"	1-1/4"	324JP

NOTE 1: For an explanation of the tabulated material found on this page and for impeller key location, refer to **Supplement A** located at the beginning of this section.

NOTE 2: Also accepts gasket **S05126** as replacement for O-Ring. See **Supplement E** located at the beginning of this section.

BERKELEY® B3ZPLS

Cast Iron Impeller

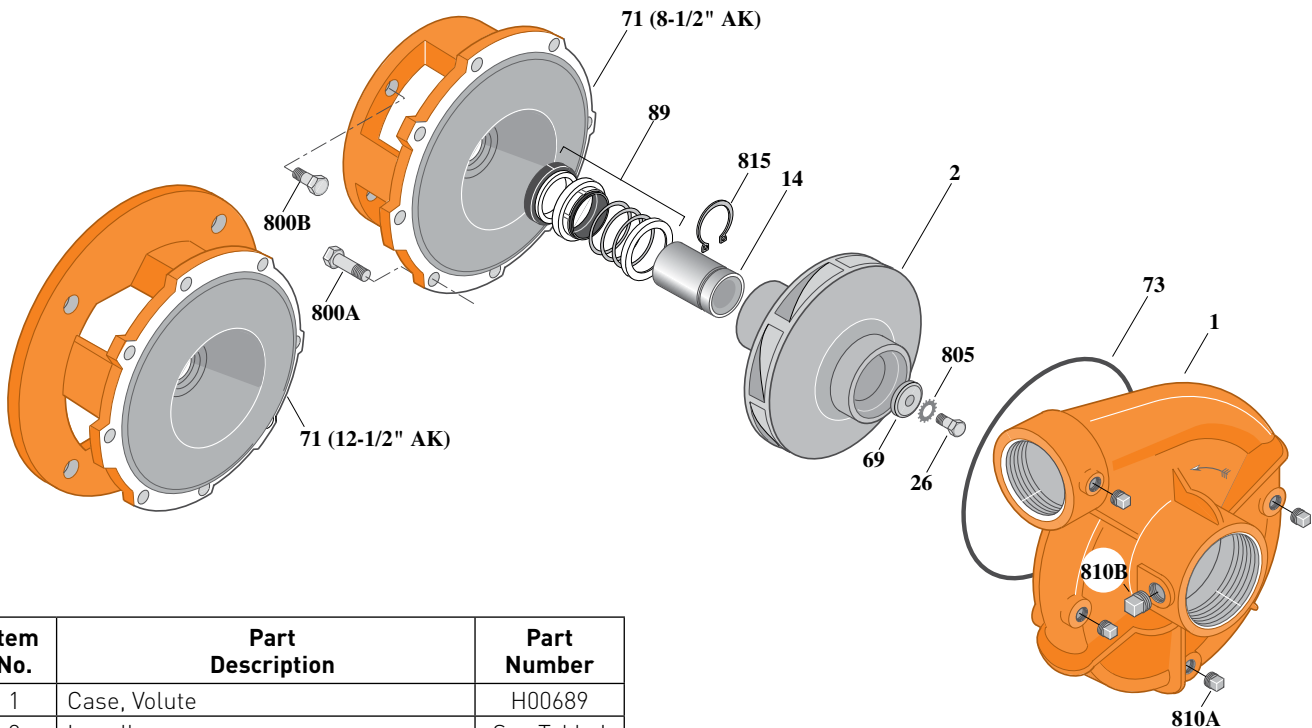
Threaded Case (NPT), Mechanical Shaft Seal Construction

ELECTRIC MOTOR DRIVE

Section	CC
Page	180.3
Date	March 4, 2013
Supersedes 07/01/11	

Table I

B/M No.	HP	PH	RPM	"U" Dim.	Imp. Dia.	Imp. No.
B54112	20	3	3600	1-1/4"	6.75"	M07705
B54113	25	3	3600	1-1/4"	7.25"	M07706
B54114	30	3	3600	1-1/4"	7.75"	M07707
B54115	40	3	3600	1-1/4"	8.62"	M07708
B54116	50	3	3600	1-1/4"	9.00"	M03380



Item No.	Part Description	Part Number
1	Case, Volute	H00689
2	Impeller	See Table I
14	Sleeve, Shaft	S18869L
26	Screw, Impeller 1/2 - 13 x 1-1/2"	S23623
32	Key, 1/4 x 2-1/4" [See Note 1]	S23677
69	Washer, Impeller	S06319
71	Bracket	See Table II
73	O-Ring [See Note 2]	M14943
89	Seal, Mechanical Shaft	S32015
800A	Capscrew, 3/8 - 16 x 1" [8 Req.]	S26826
800B	Capscrew, 1/2 - 13 x 1" [4 Req.] (For 8-1/2 AK)	S26912
800B	Capscrew, 5/8 - 11 x 1-1/4" [4 Req.] (For 12-1/2 AK)	S26997
805	Washer, Lock	S23038
810A	Plug, Pipe 1/4 NPT [4 Req.]	S23715
810B	Plug, Pipe 1/2 NPT	S23717
815	Ring, Retaining	S16767

Table II

HP	PH	Bracket No.	"AK" Fit	"U" Dim.	Motor Frame
20	3	L04615	8-1/2"	1-1/4"	254JM
25	3	L04615	8-1/2"	1-1/4"	256JM
30	3	L04627	12-1/2"	1-1/4"	284JM
40	3	L04627	12-1/2"	1-1/4"	286JM
50	3	L04627	12-1/2"	1-1/4"	324JM

NOTE 1: For an explanation of the tabulated material found on this page and for impeller key location, refer to **Supplement A** located at the beginning of this section.

NOTE 2: Also accepts gasket **S05126** as replacement for O-Ring. See **Supplement E** located at the beginning of this section.



BERKELEY® B3ZPLS

Cast Iron Impeller

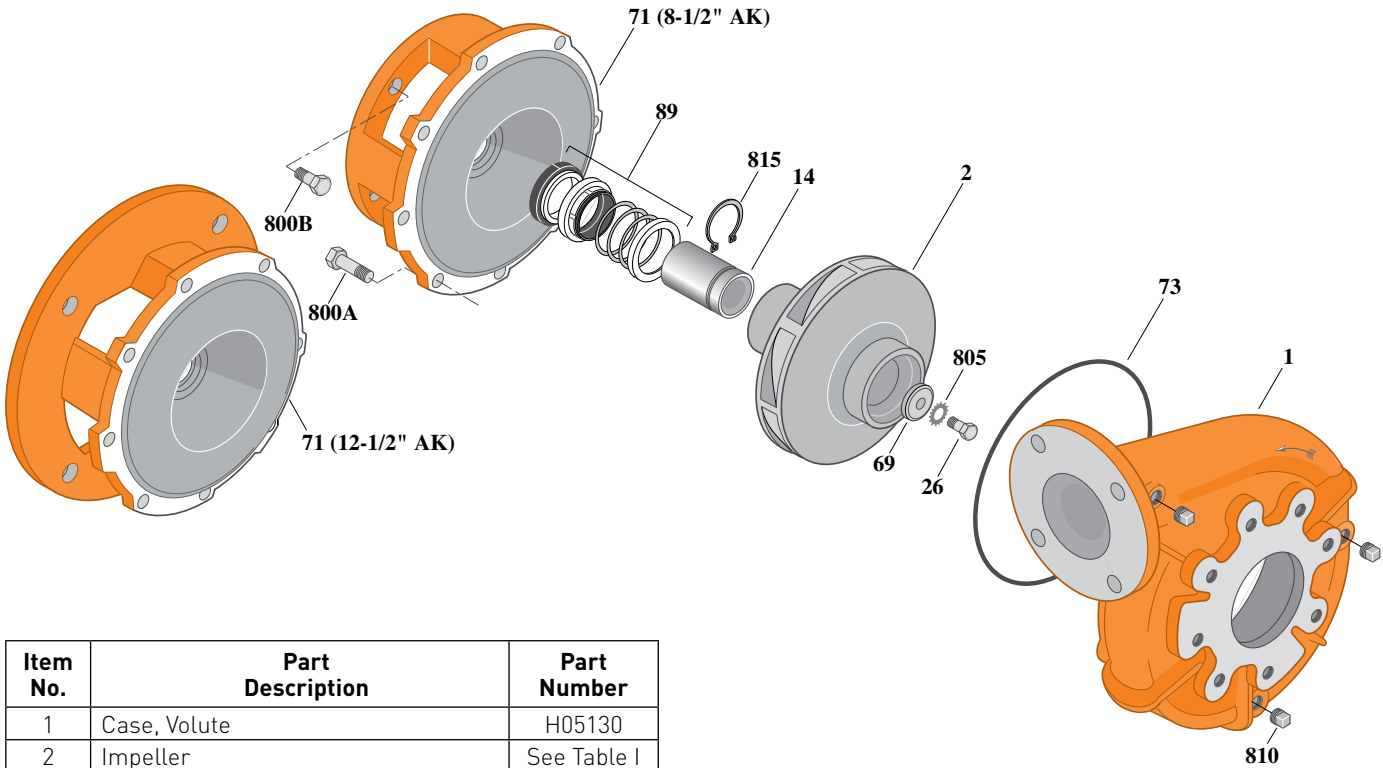
Flanged Case, Mechanical Shaft Seal Construction

ELECTRIC MOTOR DRIVE

Section	CC
Page	180.4
Date	March 4, 2013
Supersedes 07/01/11	

Table I

B/M No.	HP	PH	RPM	"U" Dim.	Imp. Dia.	Imp. No.
B70221	20	3	3600	1-1/4"	6.75"	M07705
B70224	25	3	3600	1-1/4"	7.25"	M07706
B70227	30	3	3600	1-1/4"	7.75"	M07707
B70230	40	3	3600	1-1/4"	8.62"	M07708
B70233	50	3	3600	1-1/4"	9.00"	M03380



Item No.	Part Description	Part Number
1	Case, Volute	H05130
2	Impeller	See Table I
14	Sleeve, Shaft	S18869L
26	Screw, Impeller 1/2 - 13 x 1-1/2"	S23623
32	Key, 1/4 x 2-1/4" [See Note 1]	S23677
69	Washer, Impeller	S06319
71	Bracket	See Table II
73	O-Ring [See Note 2]	M14943
89	Seal, Mechanical Shaft	S32015
800A	Capscrew, 3/8 - 16 x 1" [8 Req.]	S26826
800B	Capscrew, 1/2 - 13 x 1" [4 Req.] (For 8-1/2 AK)	S26912
800B	Capscrew, 5/8 - 11 x 1-1/4" [4 Req.] (For 12-1/2 AK)	S26997
805	Washer, Lock	S23038
810	Plug, Pipe 1/4 NPT (3 Req.)	S23715
815	Ring, Retaining	S16767

Table II

HP	PH	Bracket No.	"AK" Fit	"U" Dim.	Motor Frame
20	3	L04615	8-1/2"	1-1/4"	254JM
25	3	L04615	8-1/2"	1-1/4"	256JM
30	3	L04627	12-1/2"	1-1/4"	284JM
40	3	L04627	12-1/2"	1-1/4"	286JM
50	3	L04627	12-1/2"	1-1/4"	324JM

NOTE 1: For an explanation of the tabulated material found on this page and for impeller key location, refer to **Supplement A** located at the beginning of this section.

NOTE 2: Also accepts gasket **S05126** as replacement for O-Ring. See **Supplement E** located at the beginning of this section.



BERKELEY® B3ZPL

Bronze Impeller

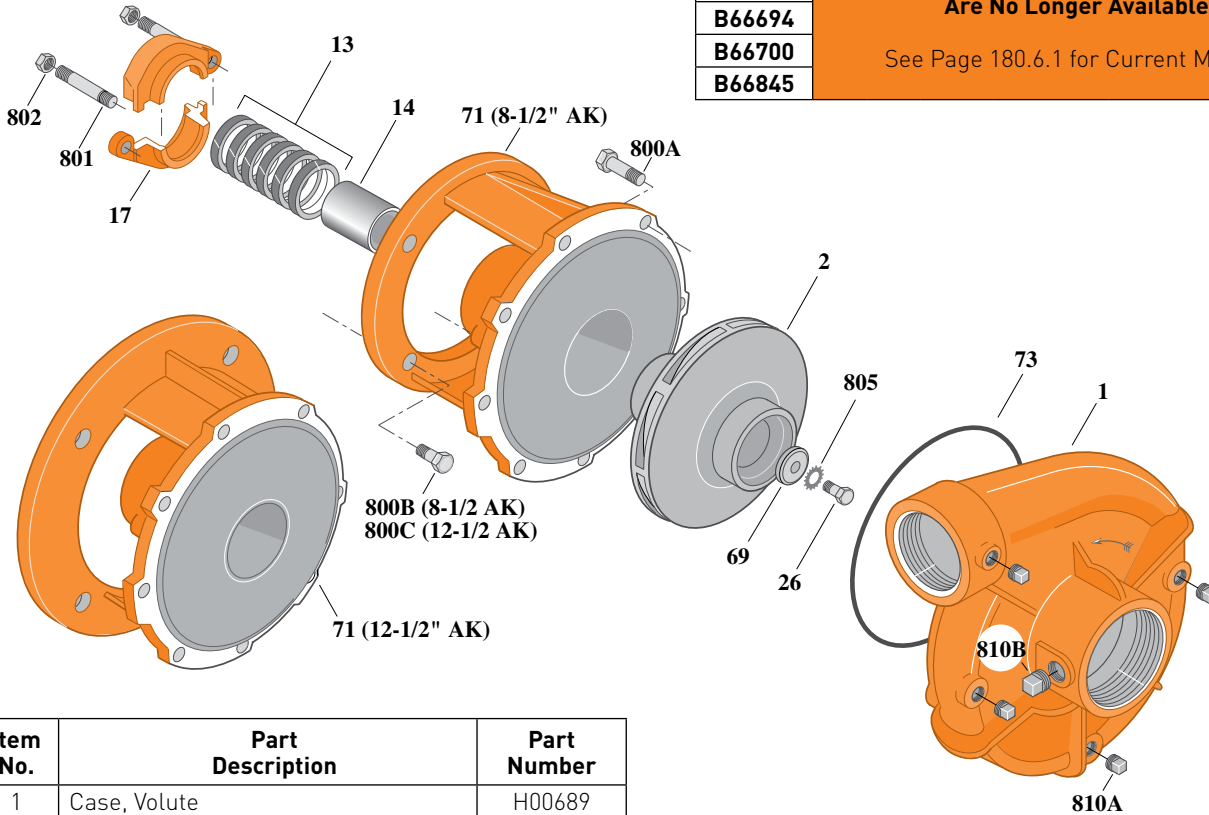
Threaded Case (NPT), Packing Construction

ELECTRIC MOTOR DRIVE

Section	CC
Page	180.5
Date	March 4, 2013
Supersedes 07/01/11	

Table I

B/M No.	HP	PH	RPM	"U" Dim.	Imp. Dia.	Imp. No.
B66674	These B/M Numbers Are No Longer Available. See Page 180.6.1 for Current Models.					
B66688						
B66694						
B66700						
B66845						



1746 1210

Item No.	Part Description	Part Number
1	Case, Volute	H00689
2	Impeller	See Table I
13	Rings, Packing (Set of 6)	S13470
14	Sleeve, Shaft	S05149L
17	Gland, Packing	B82470
26	Screw, Impeller 1/2 - 13 x 1-1/2"	S23623
32	Key, 1/4 x 2-1/4" [See Note 1]	S23677
69	Washer, Impeller	S06319
71	Bracket	See Table II
73	O-Ring [See Note 2]	M14943
800A	Capscrew, 3/8 - 16 x 1-1/8" [8 Req.]	S26827
800B	Capscrew, 1/2 - 13 x 1-1/2" [4 Req.]	S26916
800C	Capscrew, 5/8 - 11 x 1-1/2" [4 Req.]	S26999
801	Stud, 3/8 - 16 x 4" [2 Req.]	S08303
802	Nut, Hex 3/8 - 16 [2 Req.]	S23343
805	Washer, Lock	S23038
810A	Plug, Pipe 1/4 NPT [4 Req.]	S23715
810B	Plug, Pipe 1/2 NPT	S23717

Table II

HP	PH	Bracket No.	"AK" Fit	"U" Dim.	Motor Frame
20	3	L03827	8-1/2"	1-1/4"	254JP
25	3	L03827	8-1/2"	1-1/4"	256JP
30	3	L01563	12-1/2"	1-1/4"	284JP
40	3	L01563	12-1/2"	1-1/4"	286JP
50	3	L01563	12-1/2"	1-1/4"	324JP

NOTE 1: For an explanation of the tabulated material found on this page and for impeller key location, refer to **Supplement A** located at the beginning of this section.

NOTE 2: Also accepts gasket **S05126** as replacement for O-Ring. See **Supplement E** located at the beginning of this section.



BERKELEY® B3ZPL

Silicon Bronze Impeller

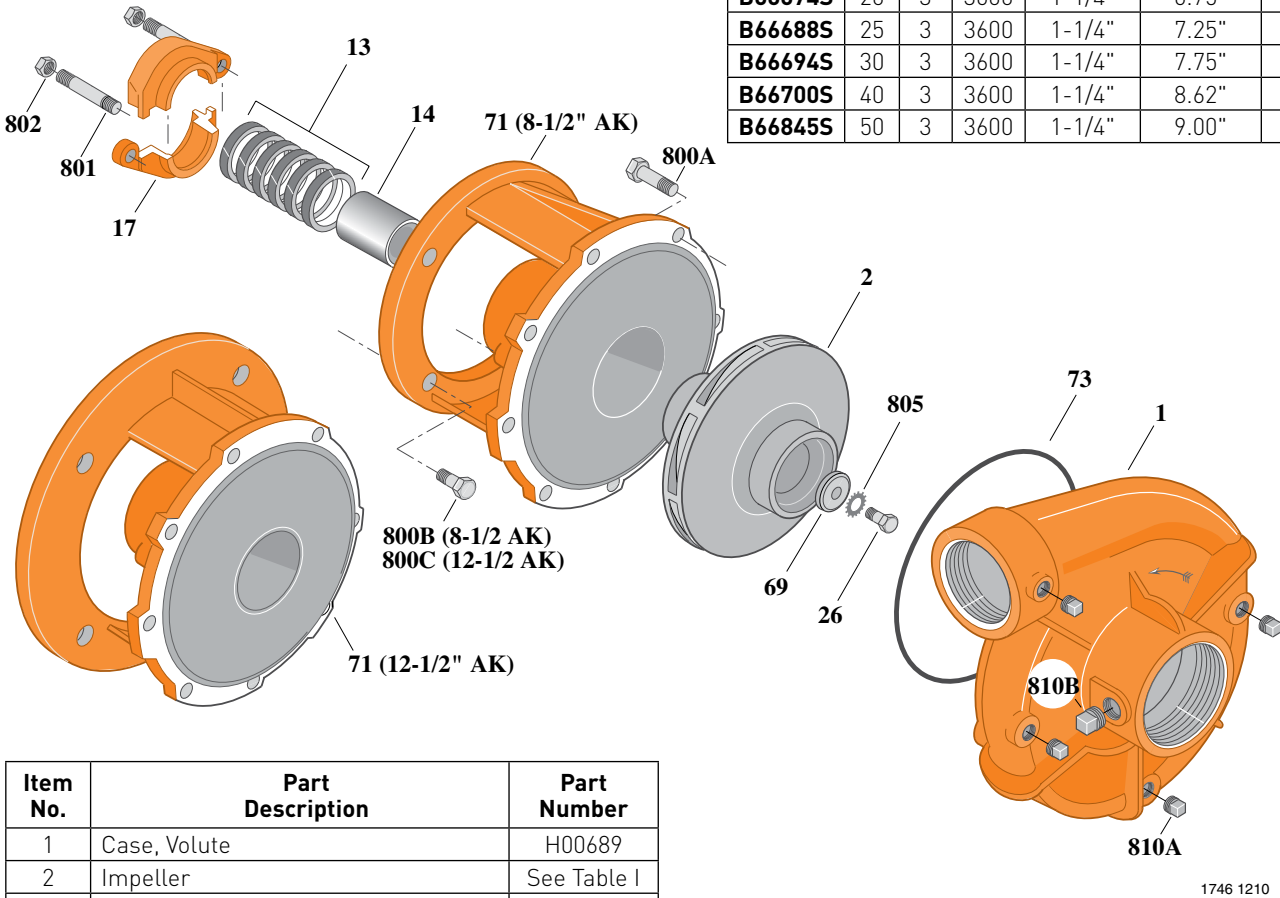
Threaded Case (NPT), Packing Construction

ELECTRIC MOTOR DRIVE

Section	CC
Page	180.6.1
Date	March 4, 2013
Supersedes 07/01/11	

Table I

B/M No.	HP	PH	RPM	"U" Dim.	Imp. Dia.	Imp. No.
B66674S	20	3	3600	1-1/4"	6.75"	H05484
B66688S	25	3	3600	1-1/4"	7.25"	H05485
B66694S	30	3	3600	1-1/4"	7.75"	H05486
B66700S	40	3	3600	1-1/4"	8.62"	H05487
B66845S	50	3	3600	1-1/4"	9.00"	H05488



1746 1210

Item No.	Part Description	Part Number
1	Case, Volute	H00689
2	Impeller	See Table I
13	Rings, Packing (Set of 6)	S13470
14	Sleeve, Shaft	S05149L
17	Gland, Packing	B82470
26	Screw, Impeller 1/2 - 13 x 1-1/2"	S23623
32	Key, 1/4 x 2-1/4" (See Note 1)	S23677
69	Washer, Impeller	S06319
71	Bracket	See Table II
73	O-Ring (See Note 2)	M14943
800A	Capscrew, 3/8 - 16 x 1-1/8" [8 Req.]	S26827
800B	Capscrew, 1/2 - 13 x 1-1/2" [4 Req.]	S26916
800C	Capscrew, 5/8 - 11 x 1-1/2" [4 Req.]	S26999
801	Stud, 3/8 - 16 x 4" [2 Req.]	S08303
802	Nut, Hex 3/8 - 16 [2 Req.]	S23343
805	Washer, Lock	S23038
810A	Plug, Pipe 1/4 NPT [4 Req.]	S23715
810B	Plug, Pipe 1/2 NPT	S23717

Table II

HP	PH	Bracket No.	"AK" Fit	"U" Dim.	Motor Frame
20	3	L03827	8-1/2"	1-1/4"	254JP
25	3	L03827	8-1/2"	1-1/4"	256JP
30	3	L01563	12-1/2"	1-1/4"	284JP
40	3	L01563	12-1/2"	1-1/4"	286JP
50	3	L01563	12-1/2"	1-1/4"	324JP

NOTE 1: For an explanation of the tabulated material found on this page and for impeller key location, refer to **Supplement A** located at the beginning of this section.

NOTE 2: Also accepts gasket **S05126** as replacement for O-Ring. See **Supplement E** located at the beginning of this section.



BERKELEY® B3ZPL

Silicon Bronze Impeller

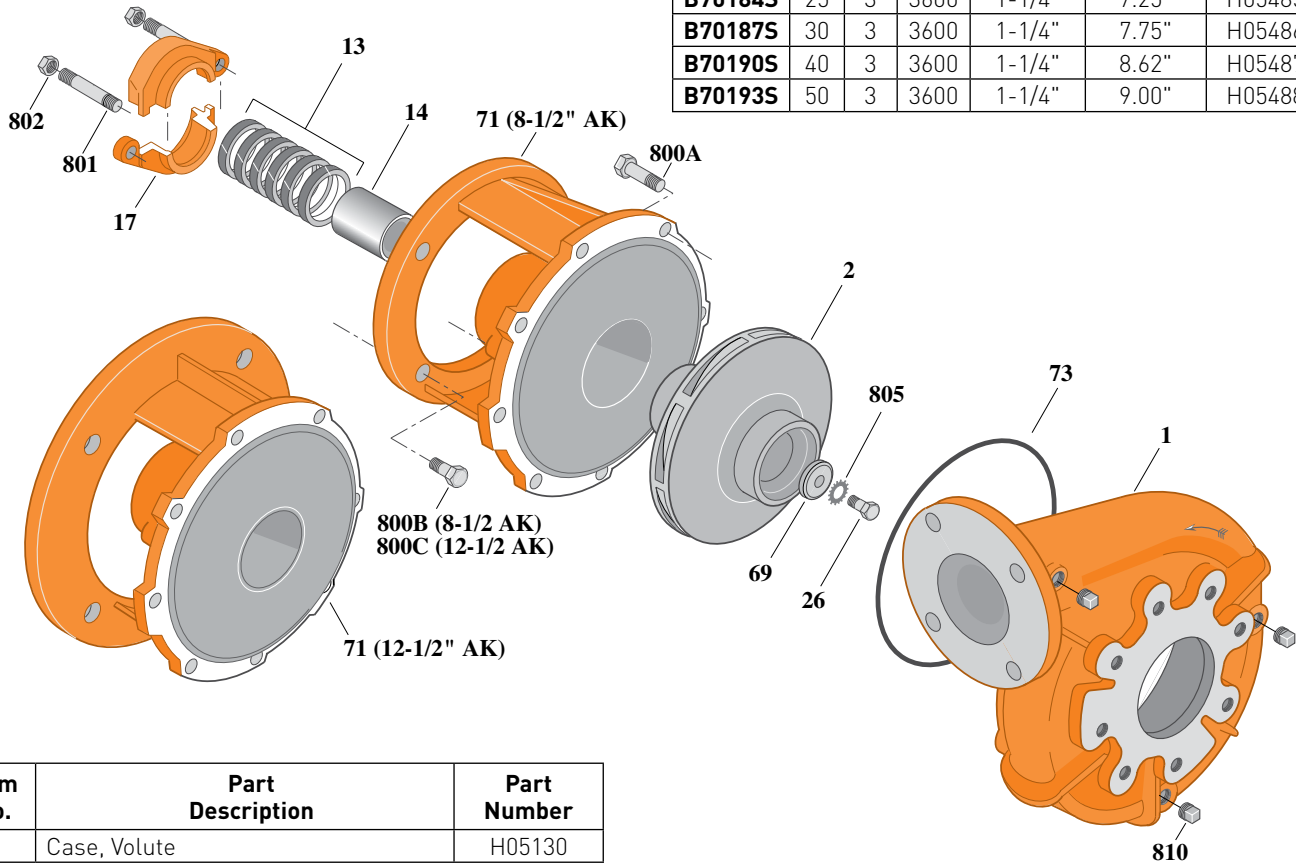
Flanged Case, Packing Construction

ELECTRIC MOTOR DRIVE

Section	CC
Page	180.6.2
Date	March 4, 2013
Supersedes 07/01/11	

Table I

B/M No.	HP	PH	RPM	"U" Dim.	Imp. Dia.	Imp. No.
B70181S	20	3	3600	1-1/4"	6.75"	H05484
B70184S	25	3	3600	1-1/4"	7.25"	H05485
B70187S	30	3	3600	1-1/4"	7.75"	H05486
B70190S	40	3	3600	1-1/4"	8.62"	H05487
B70193S	50	3	3600	1-1/4"	9.00"	H05488



1747 1210

Item No.	Part Description	Part Number
1	Case, Volute	H05130
2	Impeller	See Table I
13	Rings, Packing (Set of 6)	S13470
14	Sleeve, Shaft	S05149L
17	Gland, Packing	B82470
26	Screw, Impeller 1/2 - 13 x 1-1/2"	S23623
32	Key, 1/4 x 2-1/4" [See Note 1]	S23677
69	Washer, Impeller	S06319
71	Bracket	See Table II
73	O-Ring [See Note 2]	M14943
800A	Capscrew, 3/8 - 16 x 1" [8 Req.]	S26826
800B	Capscrew, 1/2 - 13 x 1-1/2" [4 Req.]	S26916
800C	Capscrew, 5/8 - 11 x 1-1/2" [4 Req.]	S26999
801	Stud, 3/8 - 16 x 4" [2 Req.]	S08303
802	Nut, Hex 3/8 - 16 [2 Req.]	S23343
805	Washer, Lock	S23038
810	Plug, Pipe 1/4 NPT [3 Req.]	S23715

Table II

HP	PH	Bracket No.	"AK" Fit	"U" Dim.	Motor Frame
20	3	L03827	8-1/2"	1-1/4"	254JP
25	3	L03827	8-1/2"	1-1/4"	256JP
30	3	L01563	12-1/2"	1-1/4"	284JP
40	3	L01563	12-1/2"	1-1/4"	286JP
50	3	L01563	12-1/2"	1-1/4"	324JP

NOTE 1: For an explanation of the tabulated material found on this page and for impeller key location, refer to **Supplement A** located at the beginning of this section.

NOTE 2: Also accepts gasket **S05126** as replacement for O-Ring. See **Supplement E** located at the beginning of this section.



BERKELEY® B3ZPL

Bronze Impeller

Flanged Case, Packing Construction

ELECTRIC MOTOR DRIVE

Section	CC
Page	180.6
Date	March 4, 2013
Supersedes 07/01/11	

Table I

B/M No.	HP	PH	RPM	"U" Dim.	Imp. Dia.	Imp. No.
B70181	20	3	3600	1-1/4"	6.75"	L06598
B70184	25	3	3600	1-1/4"	7.25"	L06599
B70187	30	3	3600	1-1/4"	7.75"	L06600
B70190	40	3	3600	1-1/4"	8.62"	L06601
B70193	50	3	3600	1-1/4"	9.00"	L06659

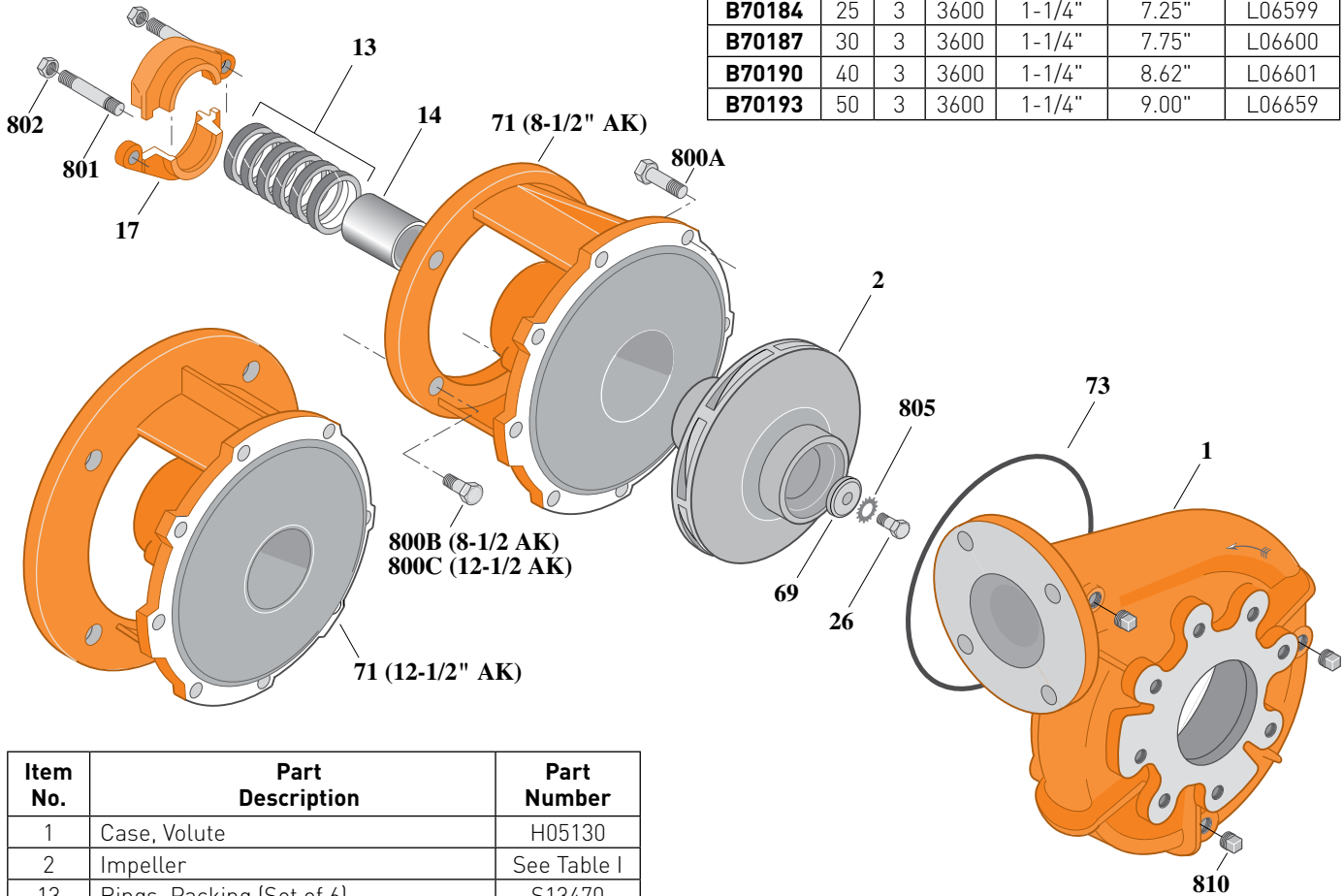


Table II

HP	PH	Bracket No.	"AK" Fit	"U" Dim.	Motor Frame
20	3	L03827	8-1/2"	1-1/4"	254JP
25	3	L03827	8-1/2"	1-1/4"	256JP
30	3	L01563	12-1/2"	1-1/4"	284JP
40	3	L01563	12-1/2"	1-1/4"	286JP
50	3	L01563	12-1/2"	1-1/4"	324JP

Item No.	Part Description	Part Number
1	Case, Volute	H05130
2	Impeller	See Table I
13	Rings, Packing (Set of 6)	S13470
14	Sleeve, Shaft	S05149L
17	Gland, Packing	B82470
26	Screw, Impeller 1/2 - 13 x 1-1/2"	S23623
32	Key, 1/4 x 2-1/4" [See Note 2]	S23677
69	Washer, Impeller	S06319
71	Bracket	See Table II
73	O-Ring [See Note 2]	M14943
800A	Capscrew, 3/8 - 16 x 1" [8 Req.]	S26826
800B	Capscrew, 1/2 - 13 x 1-1/2" [4 Req.]	S26916
800C	Capscrew, 5/8 - 11 x 1-1/2" [4 Req.]	S26999
801	Stud, 3/8 - 16 x 4" [2 Req.]	S08303
802	Nut, Hex 3/8 - 16 [2 Req.]	S23343
805	Washer, Lock	S23038
810	Plug, Pipe 1/4 NPT [3 Req.]	S23715

NOTE 1: For an explanation of the tabulated material found on this page and for impeller key location, refer to **Supplement A** located at the beginning of this section.

NOTE 2: Also accepts gasket **S05126** as replacement for O-Ring. See **Supplement E** located at the beginning of this section.



BERKELEY® B3ZPLS

Bronze Impeller

Threaded Case (NPT), Mechanical Shaft Seal Construction

ELECTRIC MOTOR DRIVE

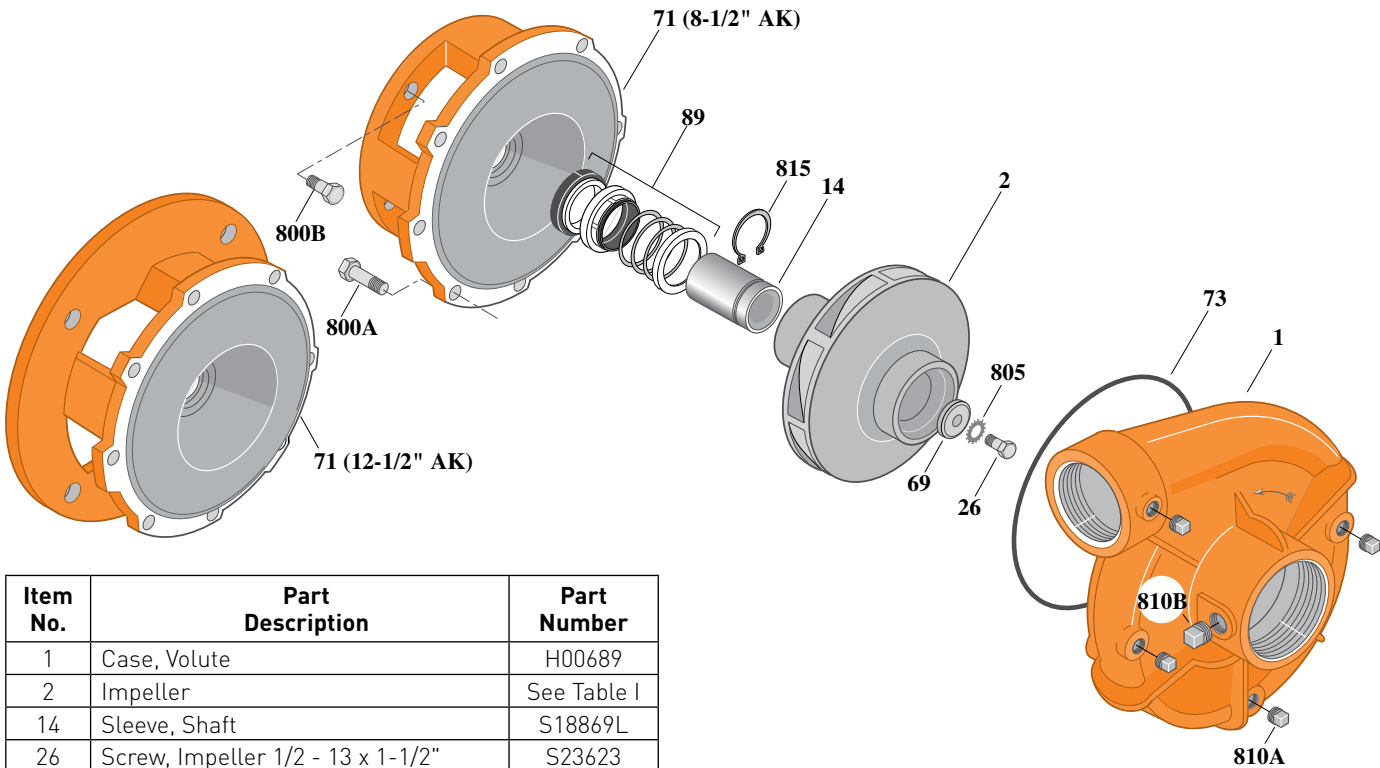
Section	CC
Page	180.7
Date	March 4, 2013
Supersedes 07/01/11	

Table I

B/M No.	HP	PH	RPM	"U" Dim.	Imp. Dia.	Imp. No.
B66675						
B66689						
B66695						
B66701						
B66847						

**These B/M Numbers
Are No Longer Available.**

See Page 180.8.1 for Current Models.



Item No.	Part Description	Part Number
1	Case, Volute	H00689
2	Impeller	See Table I
14	Sleeve, Shaft	S18869L
26	Screw, Impeller 1/2 - 13 x 1-1/2"	S23623
32	Key, 1/4 x 2-1/4" [See Note 1]	S23677
69	Washer, Impeller	S06319
71	Bracket	See Table II
73	O-Ring [See Note 2]	M14943
89	Seal, Mechanical Shaft	S32015
800A	Capscrew, 3/8 - 16 x 1" [8 Req.]	S26826
800B	Capscrew, 1/2 - 13 x 1" [4 Req.] [For 8-1/2 AK]	S26912
800B	Capscrew, 5/8 - 11 x 1-1/4" [4 Req.] [For 12-1/2 AK]	S26997
805	Washer, Lock	S23038
810A	Plug, Pipe 1/4 NPT [4 Req.]	S23715
810B	Plug, Pipe 1/2 NPT	S23717
815	Ring, Retaining	S16767
73	O-Ring [See Note 3]	M14943

Table II

HP	PH	Bracket No.	"AK" Fit	"U" Dim.	Motor Frame
20	3	L04615	8-1/2"	1-1/4"	254JM
25	3	L04615	8-1/2"	1-1/4"	256JM
30	3	L04627	12-1/2"	1-1/4"	284JM
40	3	L04627	12-1/2"	1-1/4"	286JM
50	3	L04627	12-1/2"	1-1/4"	324JM

NOTE 1: For an explanation of the tabulated material found on this page and for impeller key location, refer to **Supplement A** located at the beginning of this section.

NOTE 2: Also accepts gasket **S05126** as replacement for O-Ring. See **Supplement E** located at the beginning of this section.



BERKELEY® B3ZPLS Silicon Bronze Impeller

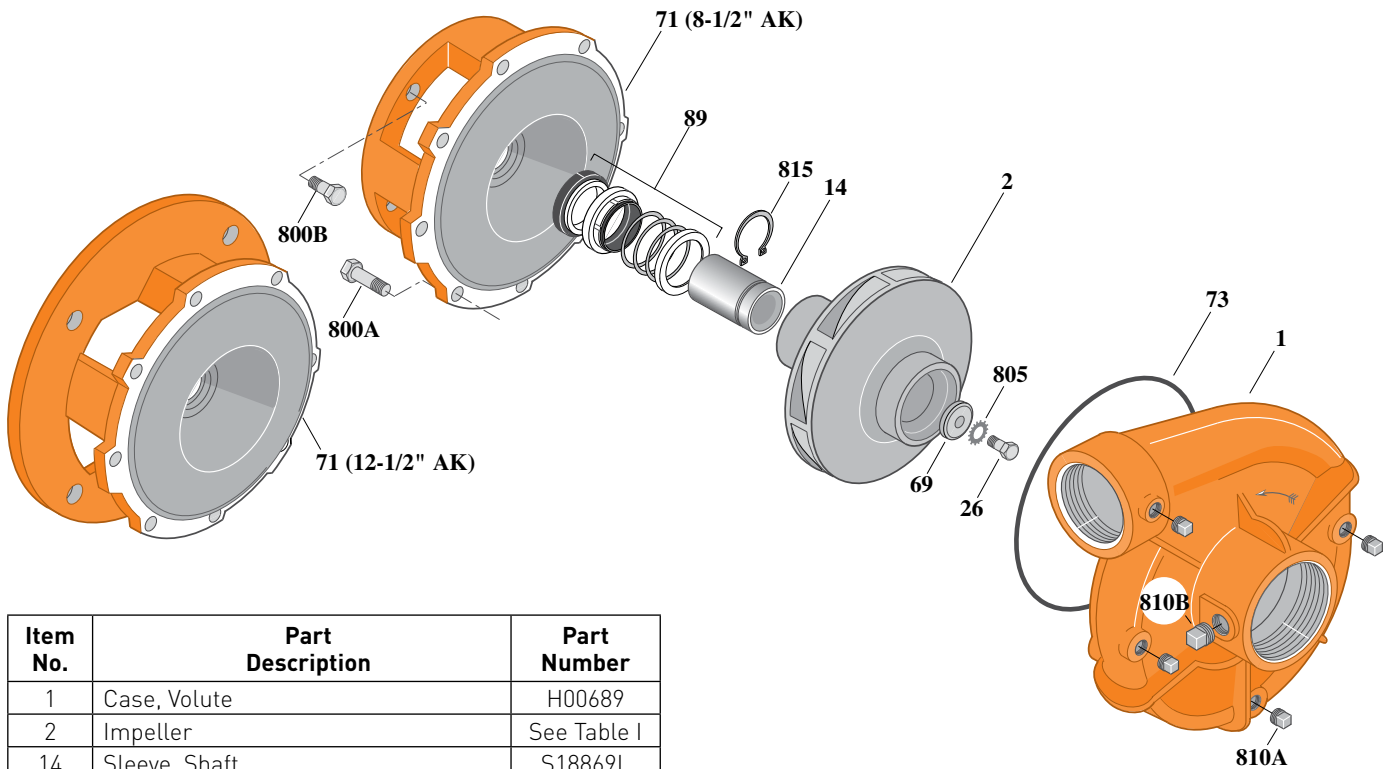
Threaded Case (NPT), Mechanical Shaft Seal Construction

ELECTRIC MOTOR DRIVE

Section	CC
Page	180.8.1
Date	March 4, 2013
Supersedes 07/01/11	

Table I

B/M No.	HP	PH	RPM	"U" Dim.	Imp. Dia.	Imp. No.
B66675S	20	3	3600	1-1/4"	6.75"	H05484
B66689S	25	3	3600	1-1/4"	7.25"	H05485
B66695S	30	3	3600	1-1/4"	7.75"	H05486
B66701S	40	3	3600	1-1/4"	8.62"	H05487
B66847S	50	3	3600	1-1/4"	9.00"	H05488



Item No.	Part Description	Part Number
1	Case, Volute	H00689
2	Impeller	See Table I
14	Sleeve, Shaft	S18869L
26	Screw, Impeller 1/2 - 13 x 1-1/2"	S23623
32	Key, 1/4 x 2-1/4" [See Note 1]	S23677
69	Washer, Impeller	S06319
71	Bracket	See Table II
73	O-Ring [See Note 2]	M14943
89	Seal, Mechanical Shaft	S32015
800A	Capscrew, 3/8 - 16 x 1" [8 Req.]	S26826
800B	Capscrew, 1/2 - 13 x 1" [4 Req.] [For 8-1/2 AK]	S26912
800B	Capscrew, 5/8 - 11 x 1-1/4" [4 Req.] [For 12-1/2 AK]	S26997
805	Washer, Lock	S23038
810A	Plug, Pipe 1/4 NPT [4 Req.]	S23715
810B	Plug, Pipe 1/2 NPT	S23717
815	Ring, Retaining	S16767

Table II

HP	PH	Bracket No.	"AK" Fit	"U" Dim.	Motor Frame
20	3	L04615	8-1/2"	1-1/4"	254JM
25	3	L04615	8-1/2"	1-1/4"	256JM
30	3	L04627	12-1/2"	1-1/4"	284JM
40	3	L04627	12-1/2"	1-1/4"	286JM
50	3	L04627	12-1/2"	1-1/4"	324JM

NOTE 1: For an explanation of the tabulated material found on this page and for impeller key location, refer to **Supplement A** located at the beginning of this section.

NOTE 2: Also accepts gasket **S05126** as replacement for O-Ring. See **Supplement E** located at the beginning of this section.



BERKELEY® B3ZPLS Silicon Bronze Impeller

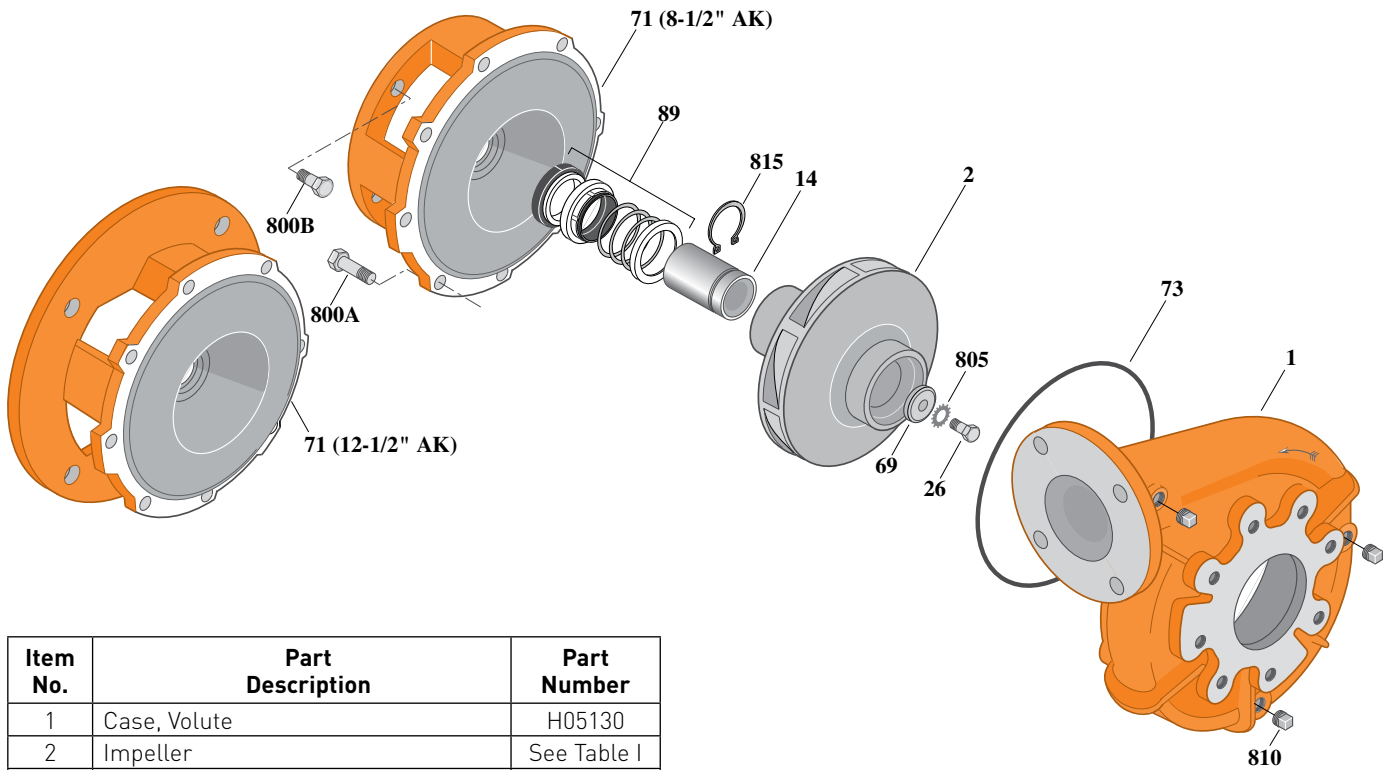
Flanged Case, Mechanical Shaft Seal Construction

ELECTRIC MOTOR DRIVE

Section	CC
Page	180.8.2
Date	March 4, 2013
Supersedes 07/01/11	

Table I

B/M No.	HP	PH	RPM	"U" Dim.	Imp. Dia.	Imp. No.
B70196S	20	3	3600	1-1/4"	6.75"	H05484
B70198S	25	3	3600	1-1/4"	7.25"	H05485
B70200S	30	3	3600	1-1/4"	7.75"	H05486
B70202S	40	3	3600	1-1/4"	8.62"	H05487
B70204S	50	3	3600	1-1/4"	9.00"	H05488



Item No.	Part Description	Part Number
1	Case, Volute	H05130
2	Impeller	See Table I
14	Sleeve, Shaft	S18869L
26	Screw, Impeller 1/2 - 13 x 1-1/2"	S23623
32	Key, 1/4 x 2-1/4" [See Note 1]	S23677
69	Washer, Impeller	S06319
71	Bracket	See Table II
73	O-Ring [See Note 2]	M14943
89	Seal, Mechanical Shaft	S32015
800A	Capscrew, 3/8 - 16 x 1" [8 Req.]	S26826
800B	Capscrew, 1/2 - 13 x 1" [4 Req.] [For 8-1/2 AK]	S26912
800B	Capscrew, 5/8 - 11 x 1-1/4" [4 Req.] [For 12-1/2 AK]	S26997
805	Washer, Lock	S23038
810	Plug, Pipe 1/4 NPT [3 Req.]	S23715
815	Ring, Retaining	S16767

Table II

HP	PH	Bracket No.	"AK" Fit	"U" Dim.	Motor Frame
20	3	L04615	8-1/2"	1-1/4"	254JM
25	3	L04615	8-1/2"	1-1/4"	256JM
30	3	L04627	12-1/2"	1-1/4"	284JM
40	3	L04627	12-1/2"	1-1/4"	286JM
50	3	L04627	12-1/2"	1-1/4"	324JM

NOTE 1: For an explanation of the tabulated material found on this page and for impeller key location, refer to **Supplement A** located at the beginning of this section.

NOTE 2: Also accepts gasket **S05126** as replacement for O-Ring. See **Supplement E** located at the beginning of this section.



BERKELEY® B3ZPLS

Bronze Impeller

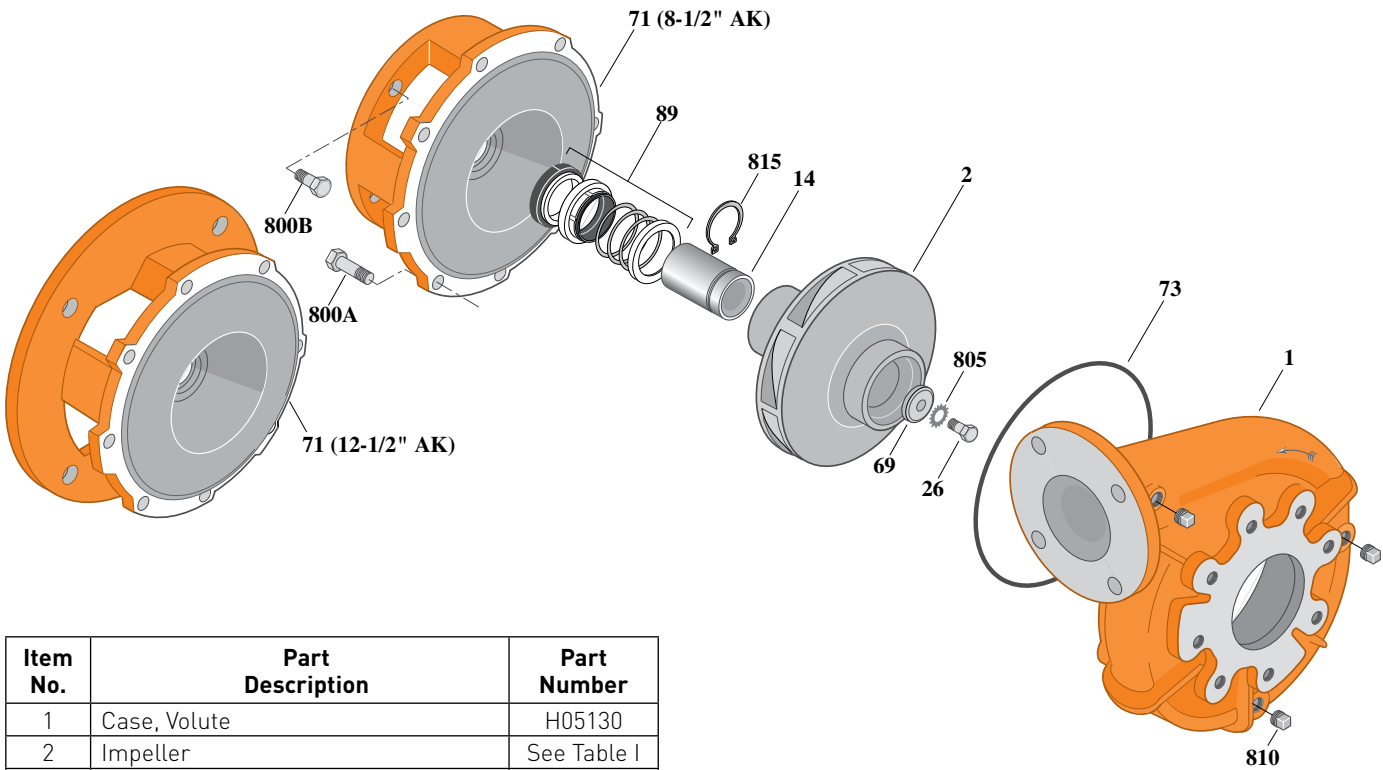
Flanged Case, Mechanical Shaft Seal Construction

ELECTRIC MOTOR DRIVE

Section	CC
Page	180.8
Date	March 4, 2013
Supersedes 07/01/11	

Table I

B/M No.	HP	PH	RPM	"U" Dim.	Imp. Dia.	Imp. No.
B70196	20	3	3600	1-1/4"	6.75"	L06598
B70198	25	3	3600	1-1/4"	7.25"	L06599
B70200	30	3	3600	1-1/4"	7.75"	L06600
B70202	40	3	3600	1-1/4"	8.62"	L06601
B70204	50	3	3600	1-1/4"	9.00"	L06659



Item No.	Part Description	Part Number
1	Case, Volute	H05130
2	Impeller	See Table I
14	Sleeve, Shaft	S18869L
26	Screw, Impeller 1/2 - 13 x 1-1/2"	S23623
32	Key, 1/4 x 2-1/4" [See Note 1]	S23677
69	Washer, Impeller	S06319
71	Bracket	See Table II
73	O-Ring [See Note 2]	M14943
89	Seal, Mechanical Shaft	S32015
800A	Capscrew, 3/8 - 16 x 1" [8 Req.]	S26826
800B	Capscrew, 1/2 - 13 x 1" [4 Req.] [For 8-1/2 AK]	S26912
800B	Capscrew, 5/8 - 11 x 1-1/4" [4 Req.] [For 12-1/2 AK]	S26997
805	Washer, Lock	S23038
810	Plug, Pipe 1/4 NPT [3 Req.]	S23715
815	Ring, Retaining	S16767

Table II

HP	PH	Bracket No.	"AK" Fit	"U" Dim.	Motor Frame
20	3	L04615	8-1/2"	1-1/4"	254JM
25	3	L04615	8-1/2"	1-1/4"	256JM
30	3	L04627	12-1/2"	1-1/4"	284JM
40	3	L04627	12-1/2"	1-1/4"	286JM
50	3	L04627	12-1/2"	1-1/4"	324JM

NOTE 1: For an explanation of the tabulated material found on this page and for impeller key location, refer to **Supplement A** located at the beginning of this section.

NOTE 2: Also accepts gasket **S05126** as replacement for O-Ring. See **Supplement E** located at the beginning of this section.



BERKELEY® B3ZPL

Silicon Bronze Impeller

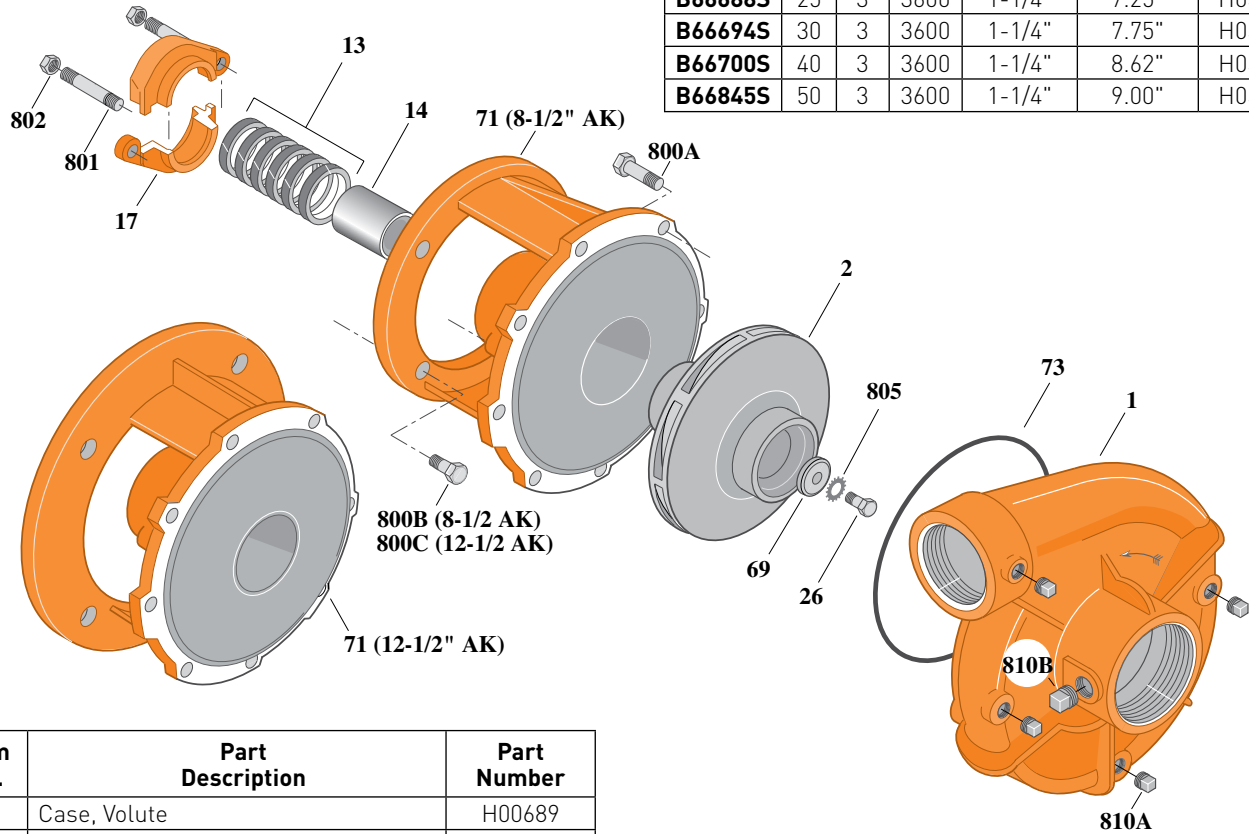
Threaded Case (NPT), Packing Construction

ELECTRIC MOTOR DRIVE

Section	CC
Page	180.9
Date	March 4, 2013
Supersedes 07/01/11	

Table I

B/M No.	HP	PH	RPM	"U" Dim.	Imp. Dia.	Imp. No.
B66674S	20	3	3600	1-1/4"	6.75"	H05484
B66688S	25	3	3600	1-1/4"	7.25"	H05485
B66694S	30	3	3600	1-1/4"	7.75"	H05486
B66700S	40	3	3600	1-1/4"	8.62"	H05487
B66845S	50	3	3600	1-1/4"	9.00"	H05488



1746 1210

Item No.	Part Description	Part Number
1	Case, Volute	H00689
2	Impeller	See Table I
13	Rings, Packing (Set of 6)	S13470
14	Sleeve, Shaft	S05149L
17	Gland, Packing	B82470
26	Screw, Impeller 1/2 - 13 x 1-1/2"	S23623
32	Key, 1/4 x 2-1/4" (See Note 1)	S23677
69	Washer, Impeller	S06319
71	Bracket	See Table II
73	O-Ring (See Note 2)	M14943
800A	Capscrew, 3/8 - 16 x 1" (8 Req.)	S26826
800B	Capscrew, 1/2 - 13 x 1-1/2" (4 Req.)	S26916
800C	Capscrew, 5/8 - 11 x 1-1/2" (4 Req.)	S26999
801	Stud, 3/8 - 16 x 4" (2 Req.)	S08303
802	Nut, Hex 3/8 - 16 (2 Req.)	S23343
805	Washer, Lock	S23038
810A	Plug, Pipe 1/4" NPT (4 Req.)	S23715
810B	Plug, Pipe 1/2" NPT	S23717

Table II

HP	PH	Bracket No.	"AK" Fit	"U" Dim.	Motor Frame
20	3	L03827	8-1/2"	1-1/4"	254JP
25	3	L03827	8-1/2"	1-1/4"	256JP
30	3	L01563	12-1/2"	1-1/4"	284JP
40	3	L01563	12-1/2"	1-1/4"	286JP
50	3	L01563	12-1/2"	1-1/4"	324JP

NOTE 1: For an explanation of the tabulated material found on this page and for impeller key location, refer to **Supplement A** located at the beginning of this section.

NOTE 2: Also accepts gasket **S05126** as replacement for O-Ring. See **Supplement E** located at the beginning of this section.



BERKELEY® B3ZPL

Silicon Bronze Impeller

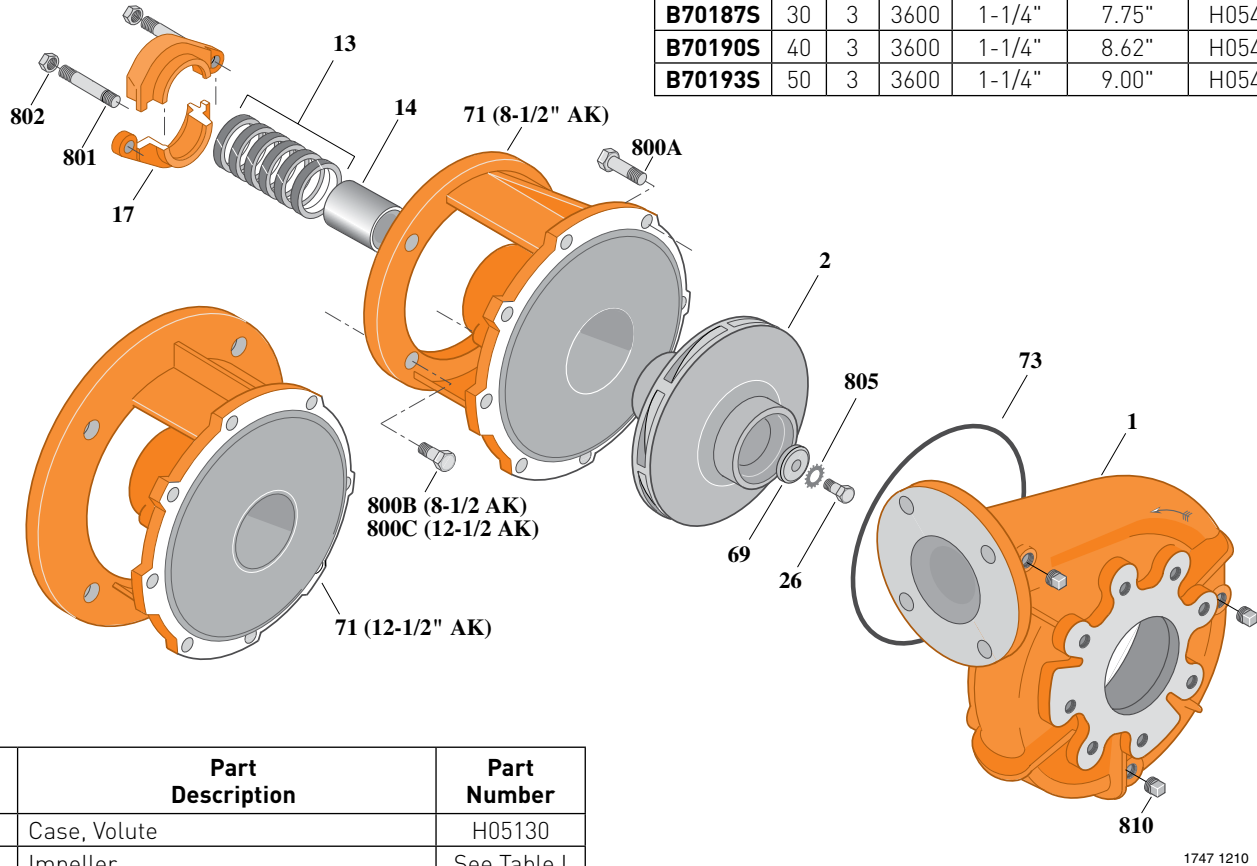
Flanged Case, Packing Construction

ELECTRIC MOTOR DRIVE

Section	CC
Page	180.10
Date	March 4, 2013
Supersedes 07/01/11	

Table I

B/M No.	HP	PH	RPM	"U" Dim.	Imp. Dia.	Imp. No.
B70181S	20	3	3600	1-1/4"	6.75"	H05484
B70184S	25	3	3600	1-1/4"	7.25"	H05485
B70187S	30	3	3600	1-1/4"	7.75"	H05486
B70190S	40	3	3600	1-1/4"	8.62"	H05487
B70193S	50	3	3600	1-1/4"	9.00"	H05488



1747 1210

Item No.	Part Description	Part Number
1	Case, Volute	H05130
2	Impeller	See Table I
13	Rings, Packing (Set of 6)	S13470
14	Sleeve, Shaft	S05149L
17	Gland, Packing	B82470
26	Screw, Impeller 1/2 - 13 x 1-1/2"	S23623
32	Key, 1/4 x 2-1/4" [See Note 1]	S23677
69	Washer, Impeller	S06319
71	Bracket	See Table II
73	O-Ring [See Note 2]	M14943
800A	Capscrew, 3/8 - 16 x 1" [8 Req.]	S26826
800B	Capscrew, 1/2 - 13 x 1-1/2" [4 Req.]	S26916
800C	Capscrew, 5/8 - 11 x 1-1/2" [4 Req.]	S26999
801	Stud, 3/8 - 16 x 4" [2 Req.]	S08303
802	Nut, Hex 3/8 - 16 [2 Req.]	S23343
805	Washer, Lock	S23038
810	Plug, Pipe 1/4" NPT [3 Req.]	S23715

Table II

HP	PH	Bracket No.	"AK" Fit	"U" Dim.	Motor Frame
20	3	L03827	8-1/2"	1-1/4"	254JP
25	3	L03827	8-1/2"	1-1/4"	256JP
30	3	L01563	12-1/2"	1-1/4"	284JP
40	3	L01563	12-1/2"	1-1/4"	286JP
50	3	L01563	12-1/2"	1-1/4"	324JP

NOTE 1: For an explanation of the tabulated material found on this page and for impeller key location, refer to **Supplement A** located at the beginning of this section.

NOTE 2: Also accepts gasket **S05126** as replacement for O-Ring. See **Supplement E** located at the beginning of this section.



BERKELEY® B3ZPLS Silicon Bronze Impeller

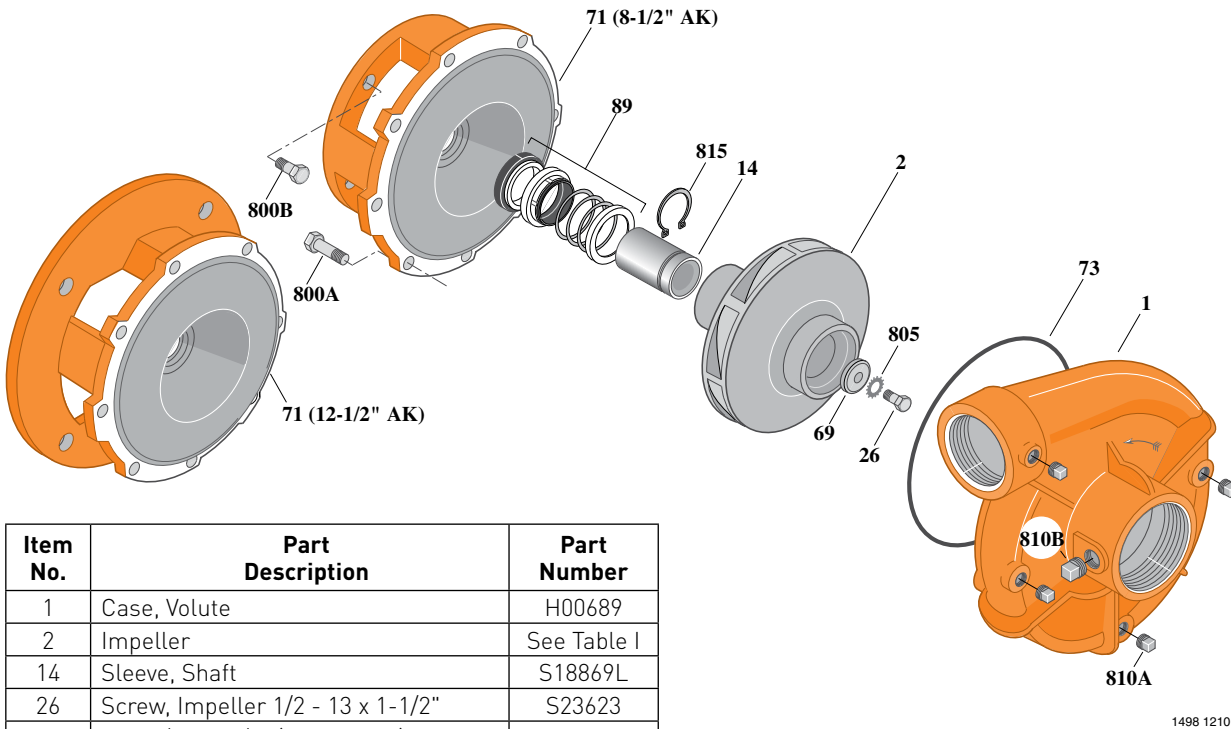
Threaded Case (NPT), Mechanical Shaft Seal Construction

ELECTRIC MOTOR DRIVE

Section	CC
Page	180.11
Date	March 4, 2013
Supersedes 07/01/11	

Table I

B/M No.	HP	PH	RPM	"U" Dim.	Imp. Dia.	Imp. No.
B66675S	20	3	3600	1-1/4"	6.75"	H05484
B66689S	25	3	3600	1-1/4"	7.25"	H05485
B66695S	30	3	3600	1-1/4"	7.75"	H05486
B66701S	40	3	3600	1-1/4"	8.62"	H05487
B66847S	50	3	3600	1-1/4"	9.00"	H05488



Item No.	Part Description	Part Number
1	Case, Volute	H00689
2	Impeller	See Table I
14	Sleeve, Shaft	S18869L
26	Screw, Impeller 1/2 - 13 x 1-1/2"	S23623
32	Key, 1/4 x 2-1/4" [See Note 1]	S23677
69	Washer, Impeller	S06319
71	Bracket	See Table II
73	O-Ring [See Note 3]	M14943
89	Seal, Mechanical Shaft	S32015
800A	Capscrew, 3/8 - 16 x 1" [8 Req.]	S26826
800B	Capscrew, 1/2 - 13 x 1" [4 Req.] [For 8-1/2 AK]	S26912
800B	Capscrew, 5/8 - 11 x 1-1/4" [4 Req.] [For 12-1/2 AK]	S26997
805	Washer, Lock	S23038
810A	Plug, Pipe 1/4" NPT [4 Req.]	S23715
810B	Plug, Pipe 1/2" NPT	S23717
815	Ring, Retaining	S16767
•	Plug, Pipe 1/8" NPT (In Bracket)	S23714

• Not illustrated.

Table II

HP	PH	Bracket No.	"AK" Fit	"U" Dim.	Motor Frame
20	3	L04615	8-1/2"	1-1/4"	254JM
25	3	L04615	8-1/2"	1-1/4"	256JM
30	3	L04627	12-1/2"	1-1/4"	284JM
40	3	L04627	12-1/2"	1-1/4"	286JM
50	3	L04627	12-1/2"	1-1/4"	324JM

NOTE 1: For an explanation of the tabulated material found on this page and for impeller key location, refer to **Supplement A** located at the beginning of this section.

NOTE 2: For seal flush line details, see **Supplement D**.

NOTE 3: Also accepts gasket **S05126** as replacement for O-Ring. See **Supplement E** located at the beginning of this section.



BERKELEY® B3ZPLS Silicon Bronze Impeller

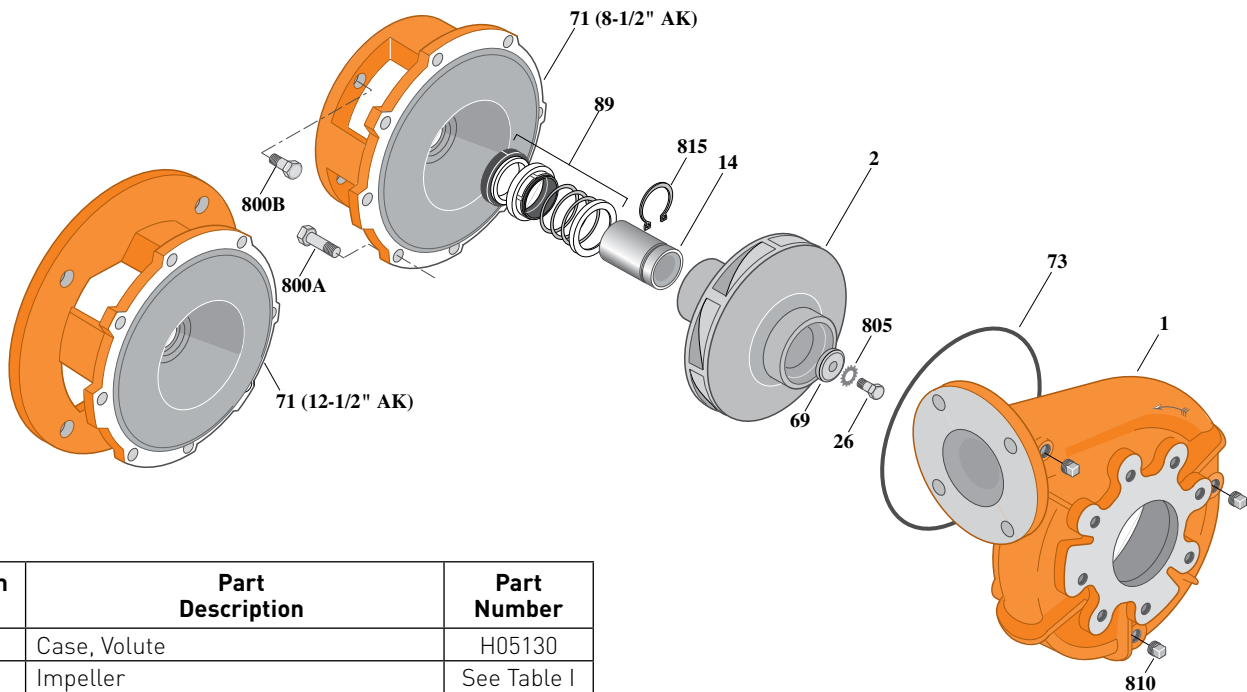
Flanged Case, Mechanical Shaft Seal Construction

ELECTRIC MOTOR DRIVE

Section	CC
Page	180.12
Date	March 4, 2013
Supersedes 07/01/11	

Table I

B/M No.	HP	PH	RPM	"U" Dim.	Imp. Dia.	Imp. No.
B70196S	20	3	3600	1-1/4"	6.75"	H05484
B70198S	25	3	3600	1-1/4"	7.25"	H05485
B70200S	30	3	3600	1-1/4"	7.75"	H05486
B70202S	40	3	3600	1-1/4"	8.62"	H05487
B70204S	50	3	3600	1-1/4"	9.00"	H05488



Item No.	Part Description	Part Number
1	Case, Volute	H05130
2	Impeller	See Table I
14	Sleeve, Shaft	S18869L
26	Screw, Impeller 1/2 - 13 x 1-1/2"	S23623
32	Key, 1/4 x 2-1/4" [See Note 1]	S23677
69	Washer, Impeller	S06319
71	Bracket	See Table II
73	O-Ring [See Note 3]	M14943
89	Seal, Mechanical Shaft	S32015
800A	Capscrew, 3/8 - 16 x 1" [8 Req.]	S26826
800B	Capscrew, 1/2 - 13 x 1" [4 Req.] [For 8-1/2 AK]	S26912
800B	Capscrew, 5/8 - 11 x 1-1/4" [4 Req.] [For 12-1/2 AK]	S26997
805	Washer, Lock	S23038
810	Plug, Pipe 1/4" NPT [3 Req.]	S23715
815	Ring, Retaining	S16767
•	Plug, Pipe 1/8" NPT [In Bracket]	S23714

• Not illustrated.

Table II

HP	PH	Bracket No.	"AK" Fit	"U" Dim.	Motor Frame
20	3	L04615	8-1/2"	1-1/4"	254JM
25	3	L04615	8-1/2"	1-1/4"	256JM
30	3	L04627	12-1/2"	1-1/4"	284JM
40	3	L04627	12-1/2"	1-1/4"	286JM
50	3	L04627	12-1/2"	1-1/4"	324JM

NOTE 1: For an explanation of the tabulated material found on this page and for impeller key location, refer to **Supplement A** located at the beginning of this section.

NOTE 2: For seal flush line details, see **Supplement D**.

NOTE 3: Also accepts gasket **S05126** as replacement for O-Ring. See **Supplement E** located at the beginning of this section.



BERKELEY® B3ZPM

Cast Iron Impeller

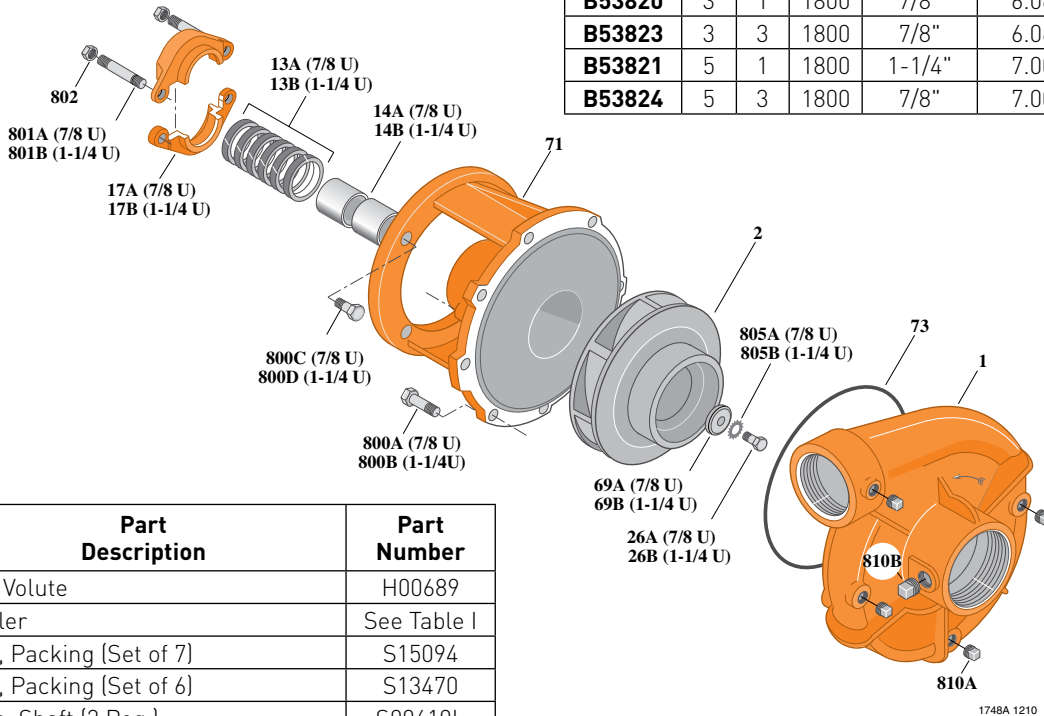
Threaded Case (NPT), Packing Construction

ELECTRIC MOTOR DRIVE

Section	CC
Page	190.1
Date	March 4, 2013
Supersedes 07/01/11	

Table I

B/M No.	HP	PH	RPM	"U" Dim.	Imp. Dia.	Imp. No.
B53820	3	1	1800	7/8"	6.06"	M07709
B53823	3	3	1800	7/8"	6.06"	M07709
B53821	5	1	1800	1-1/4"	7.00"	M07711
B53824	5	3	1800	7/8"	7.00"	M07710



Item No.	Part Description	Part Number
1	Case, Volute	H00689
2	Impeller	See Table I
13A	Rings, Packing [Set of 7]	S15094
13B	Rings, Packing [Set of 6]	S13470
14A	Sleeve, Shaft [2 Req.]	S00619L
14B	Sleeve, Shaft	S05149L
17A	Gland, Packing	B82469
17B	Gland, Packing	B82470
26A	Screw, Impeller 3/8 - 16 x 1"	S23566
26B	Screw, Impeller 1/2 - 13 x 1"	S23619
32A	Key, 3/16 x 1-1/4" [See Note1]	S34383
32B	Key, 1/4 x 2-1/4" [See Note1]	S23677
69A	Washer, Impeller	S06314
69B	Washer, Impeller	S06319
71	Bracket	See Table II
73	O-Ring [See Note 2]	M14943
800A	Capscrew, 3/8 - 16 x 1" [12 Req.]	S26826
800B	Capscrew, 3/8 - 16 x 1-1/8" [8 Req.]	S26827
800C	Capscrew, 1/2 - 13 x 1-1/2" [4 Req.]	S26916
801A	Stud, 3/8 - 16 x 3" [2 Req.]	S04439
801B	Stud, 3/8 - 16 x 4" [2 Req.]	S08303
802	Nut, Hex 3/8 - 16 [2 Req.]	S23343
805A	Washer, Lock	S23036
805B	Washer, Lock	S23038
810A	Plug, Pipe 1/4 NPT [4 Req.]	S23715
810B	Plug, Pipe 1/2 NPT	S23717

Table II

HP	PH	Bracket No.	"AK" Fit	"U" Dim.	Motor Frame
3	1	H00950	4-1/2"	7/8"	184JP
3	3	H00950	4-1/2"	7/8"	182JP
5	1	L03827	8-1/2"	1-1/4"	213JP
5	3	H00950	4-1/2"	7/8"	184JP

NOTE 1: For an explanation of the tabulated material found on this page and for impeller key location, refer to **Supplement A** located at the beginning of this section.

NOTE 2: Also accepts gasket **S05126** as replacement for O-Ring. See **Supplement E** located at the beginning of this section.



BERKELEY® B3ZPM

Cast Iron Impeller

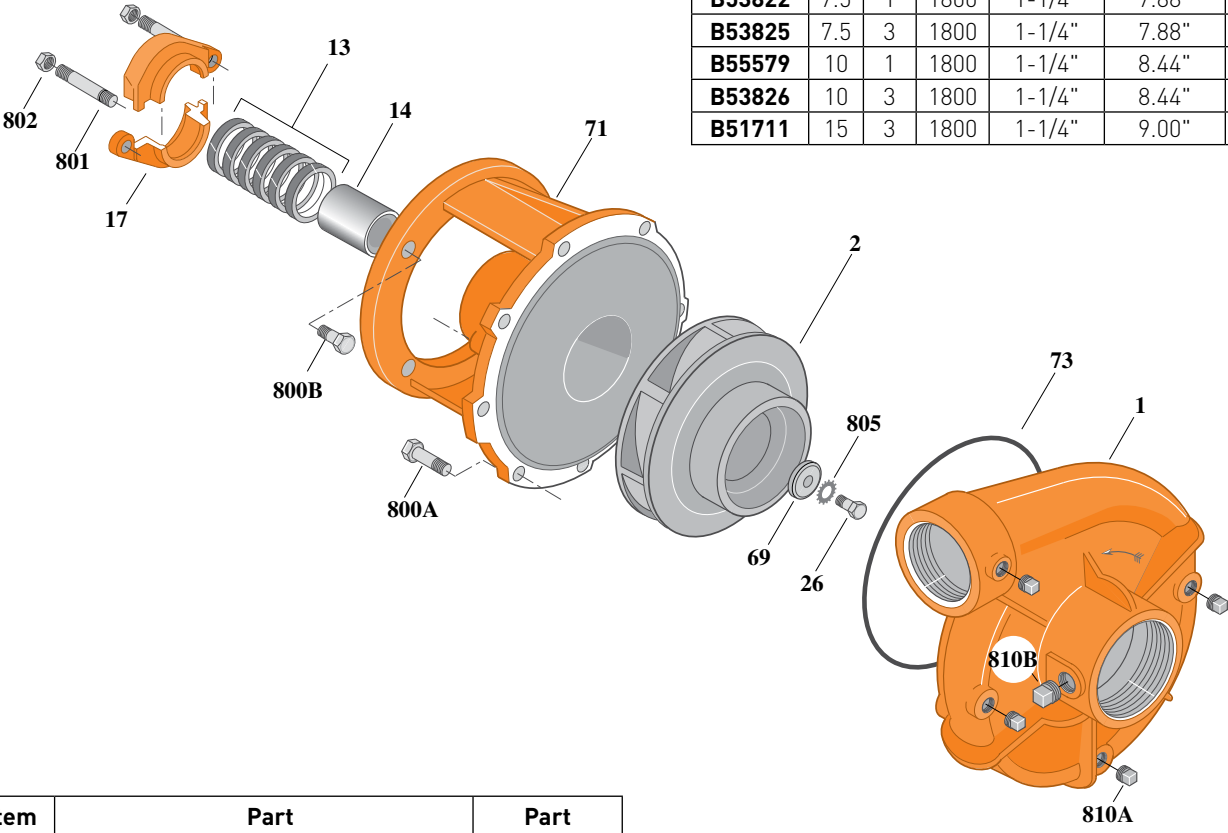
Threaded Case (NPT), Packing Construction

ELECTRIC MOTOR DRIVE

Section	CC
Page	190.2
Date	March 4, 2013
Supersedes 07/01/11	

Table I

B/M No.	HP	PH	RPM	"U" Dim.	Imp. Dia.	Imp. No.
B53822	7.5	1	1800	1-1/4"	7.88"	M07712
B53825	7.5	3	1800	1-1/4"	7.88"	M07712
B55579	10	1	1800	1-1/4"	8.44"	M07713
B53826	10	3	1800	1-1/4"	8.44"	M07713
B51711	15	3	1800	1-1/4"	9.00"	M02911



Item No.	Part Description	Part Number
1	Case, Volute	H00689
2	Impeller	See Table I
13	Rings, Packing (Set of 6)	S13470
14	Sleeve, Shaft	S05149L
17	Gland, Packing	B82470
26	Screw, Impeller 1/2 - 13 x 1"	S23619
32	Key, 1/4 x 2-1/4" [See Note 1]	S23677
69	Washer, Impeller	S06319
71	Bracket	See Table II
73	O-Ring [See Note 2]	M14943
800A	Capscrew, 3/8 - 16 x 1-1/8" [8 Req.]	S26827
800B	Capscrew, 1/2 - 13 x 1-1/2" [4 Req.]	S26916
801	Stud, 3/8 - 16 x 4" [2 Req.]	S08303
802	Nut, Hex 3/8 - 16 [2 Req.]	S23343
805	Washer, Lock	S23038
810A	Plug, Pipe 1/4 NPT [4 Req.]	S23715
810B	Plug, Pipe 1/2 NPT	S23717

Table II

HP	PH	Bracket No.	"AK" Fit	"U" Dim.	Motor Frame
7.5	1	L03827	8-1/2"	1-1/4"	215JP
7.5	3	L03827	8-1/2"	1-1/4"	213JP
10	1	L03827	8-1/2"	1-1/4"	215JP
10	3	L03827	8-1/2"	1-1/4"	215JP
15	3	L03827	8-1/2"	1-1/4"	254JP

NOTE 1: For an explanation of the tabulated material found on this page and for impeller key location, refer to **Supplement A** located at the beginning of this section.

NOTE 2: Also accepts gasket **S05126** as replacement for O-Ring. See **Supplement E** located at the beginning of this section.



BERKELEY® B3ZPM

Cast Iron Impeller

Flanged Case, Packing Construction

ELECTRIC MOTOR DRIVE

Section	CC
Page	190.3
Date	March 4, 2013
Supersedes 07/01/11	

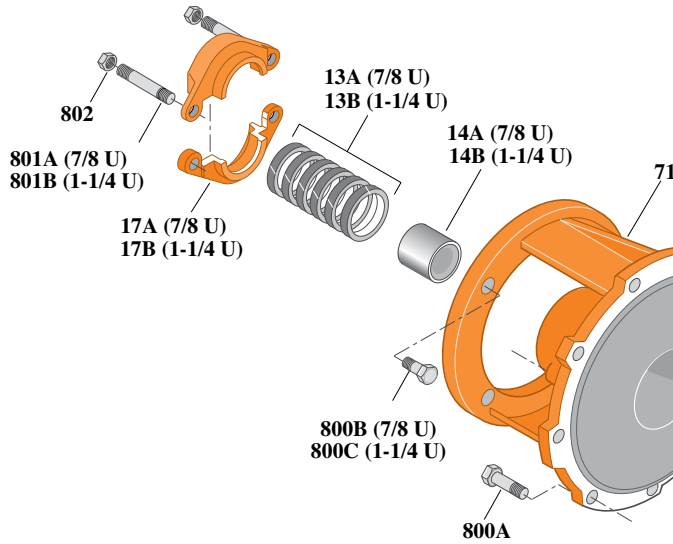
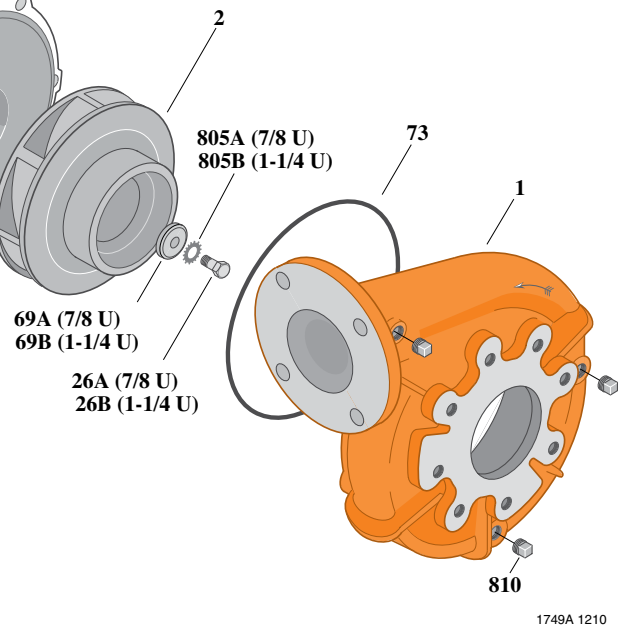


Table I

B/M No.	HP	PH	RPM	"U" Dim.	Imp. Dia.	Imp. No.
B70158	3	1	1800	7/8"	6.06"	M07709
B70236	3	3	1800	7/8"	6.06"	M07709
B70159	5	1	1800	1-1/4"	7.00"	M07711
B70237	5	3	1800	7/8"	7.00"	M07710

Item No.	Part Description	Part Number
1	Case, Volute	H05130
2	Impeller	See Table I
13A	Rings, Packing [Set of 7]	S15094
13B	Rings, Packing [Set of 6]	S13470
14A	Sleeve, Shaft [2 Req.]	S00619L
14B	Sleeve, Shaft	S05149L
17A	Gland, Packing	B82469
17B	Gland, Packing	B82470
26A	Screw, Impeller 3/8 - 16 x 1"	S23566
26B	Screw, Impeller 1/2 - 13 x 1"	S23619
32A	Key, 3/16 x 1-1/4" [See Note 1]	S34383
32B	Key, 1/4 x 2-1/4" [See Note 1]	S23677
69A	Washer, Impeller	S06314
69B	Washer, Impeller	S06319
71	Bracket	See Table II
73	O-Ring [See Note 2]	M14943
800A	Capscrew, 3/8 - 16 x 1" [12 Req.]	S26826
800B	Capscrew, 3/8 - 16 x 1" [8 Req.]	S26827
800C	Capscrew, 1/2 - 13 x 1-1/2" [4 Req.]	S26916
801A	Stud, 3/8 - 16 x 3" [2 Req.]	S04439
801B	Stud, 3/8 - 16 x 4" [2 Req.]	S08303
802	Nut, Hex 3/8 - 16 [2 Req.]	S23343
805A	Washer, Lock	S23036
805B	Washer, Lock	S23038
810	Plug, Pipe 1/4 NPT [3 Req.]	S23715



1749A 1210

Table II

HP	PH	Bracket No.	"AK" Fit	"U" Dim.	Motor Frame
3	1	H00950	4-1/2"	7/8"	184JP
3	3	H00950	4-1/2"	7/8"	182JP
5	1	L03827	8-1/2"	1-1/4"	213JP
5	3	H00950	4-1/2"	7/8"	184JP

NOTE 1: For an explanation of the tabulated material found on this page and for impeller key location, refer to **Supplement A** located at the beginning of this section.

NOTE 2: Also accepts gasket **S05126** as replacement for O-Ring. See **Supplement E** located at the beginning of this section.



BERKELEY® B3ZPM

Cast Iron Impeller

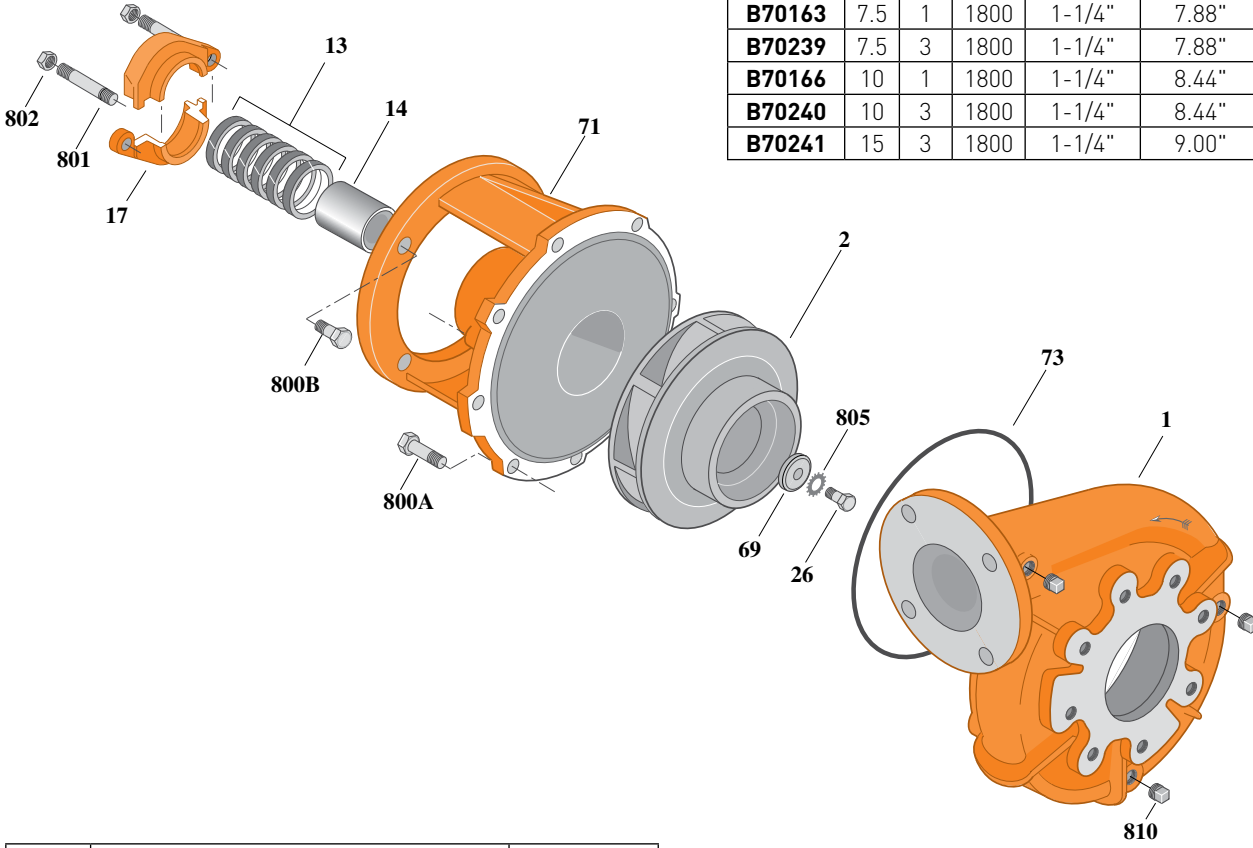
Flanged Case, Packing Construction

ELECTRIC MOTOR DRIVE

Section	CC
Page	190.4
Date	March 4, 2013
Supersedes 07/01/11	

Table I

B/M No.	HP	PH	RPM	"U" Dim.	Imp. Dia.	Imp. No.
B70163	7.5	1	1800	1-1/4"	7.88"	M07712
B70239	7.5	3	1800	1-1/4"	7.88"	M07712
B70166	10	1	1800	1-1/4"	8.44"	M07713
B70240	10	3	1800	1-1/4"	8.44"	M07713
B70241	15	3	1800	1-1/4"	9.00"	M02911



1749B 1210

Item No.	Part Description	Part Number
1	Case, Volute	H05130
2	Impeller	See Table I
13	Rings, Packing (Set of 6)	S13470
14	Sleeve, Shaft	S05149L
17	Gland, Packing	B82470
26	Screw, Impeller 1/2 - 13 x 1"	S23619
32	Key, 1/4 x 2-1/4" (See Note 1)	S23677
69	Washer, Impeller	S06319
71	Bracket	See Table II
73	O-Ring (See Note 2)	M14943
800A	Cap screw, 3/8 - 16 x 1" (8 Req.)	S26826
800B	Cap screw, 1/2 - 13 x 1-1/2" (4 Req.)	S26916
801	Stud, 3/8 - 16 x 4" (2 Req.)	S08303
802	Nut, Hex 3/8 - 16 (2 Req.)	S23343
805	Washer, Lock	S23038
810	Plug, Pipe 1/4 NPT (3 Req.)	S23715

Table II

HP	PH	Bracket No.	"AK" Fit	"U" Dim.	Motor Frame
7.5	1	L03827	8-1/2"	1-1/4"	215JP
7.5	3	L03827	8-1/2"	1-1/4"	213JP
10	1	L03827	8-1/2"	1-1/4"	215JP
10	3	L03827	8-1/2"	1-1/4"	215JP
15	3	L03827	8-1/2"	1-1/4"	254JP

NOTE 1: For an explanation of the tabulated material found on this page and for impeller key location, refer to **Supplement A** located at the beginning of this section.

NOTE 2: Also accepts gasket **S05126** as replacement for O-Ring. See **Supplement E** located at the beginning of this section.



BERKELEY® B3ZPMS

Cast Iron Impeller

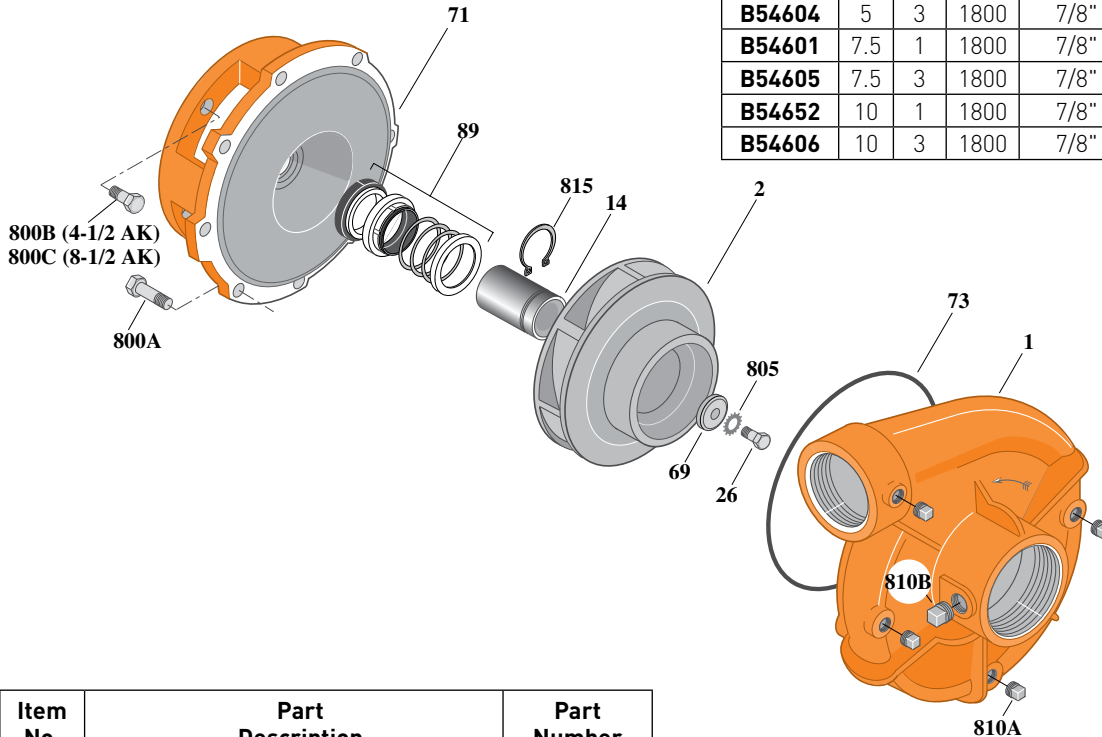
Threaded Case (NPT), Mechanical Shaft Seal Construction

ELECTRIC MOTOR DRIVE

Section	CC
Page	190.5
Date	March 4, 2013
Supersedes 07/01/11	

Table I

B/M No.	HP	PH	RPM	"U" Dim.	Imp. Dia.	Imp. No.
B54599	3	1	1800	7/8"	6.06"	M07709
B54603	3	3	1800	7/8"	6.06"	M07709
B54600	5	1	1800	7/8"	7.00"	M07710
B54604	5	3	1800	7/8"	7.00"	M07710
B54601	7.5	1	1800	7/8"	7.88"	M07764
B54605	7.5	3	1800	7/8"	7.88"	M07764
B54652	10	1	1800	7/8"	8.44"	M07765
B54606	10	3	1800	7/8"	8.44"	M07765



Item No.	Part Description	Part Number
1	Case, Volute	H00689
2	Impeller	See Table I
14	Sleeve, Shaft	S19310L
26	Screw, Impeller 3/8 - 16 x 1"	S23566
32	Key, 3/16 x 1-1/4" [See Note 1]	S34383
69	Washer, Impeller	S06314
71	Bracket	See Table II
73	O-Ring [See Note 2]	M14943
89	Seal, Mechanical Shaft	S32014
800A	Capscrew, 3/8 - 16 x 1" [12 Req.] [4-1/2 AK] [Use for Motor and Volute]	S26826
800A	Capscrew, 3/8 - 16 x 1" [8 Req.] [8-1/2 AK] [Use for Volute Only]	S26826
800B	Capscrew, 1/2 - 13 x 1" [4 Req.]	S26912
805	Washer, Lock	S23036
810A	Plug, Pipe 1/4 NPT [4 Req.]	S23715
810B	Plug, Pipe 1/2 NPT	S23717
815	Ring, Retaining	S11207

Table II

HP	PH	Bracket No.	"AK" Fit	"U" Dim.	Motor Frame
3	1	L05332	4-1/2"	7/8"	184JM
3	3	L05332	4-1/2"	7/8"	182JM
5	1	L05331	8-1/2"	7/8"	213JM
5	3	L05332	4-1/2"	7/8"	184JM
7.5	1	L05331	8-1/2"	7/8"	215JM
7.5	3	L05331	8-1/2"	7/8"	213JM
10	1	L05331	8-1/2"	7/8"	215JM
10	3	L05331	8-1/2"	7/8"	215JM

NOTE 1: For an explanation of the tabulated material found on this page and for impeller key location, refer to **Supplement A** located at the beginning of this section.

NOTE 2: Also accepts gasket **S05126** as replacement for O-Ring. See **Supplement E** located at the beginning of this section.



BERKELEY® B3ZPMS

Cast Iron Impeller

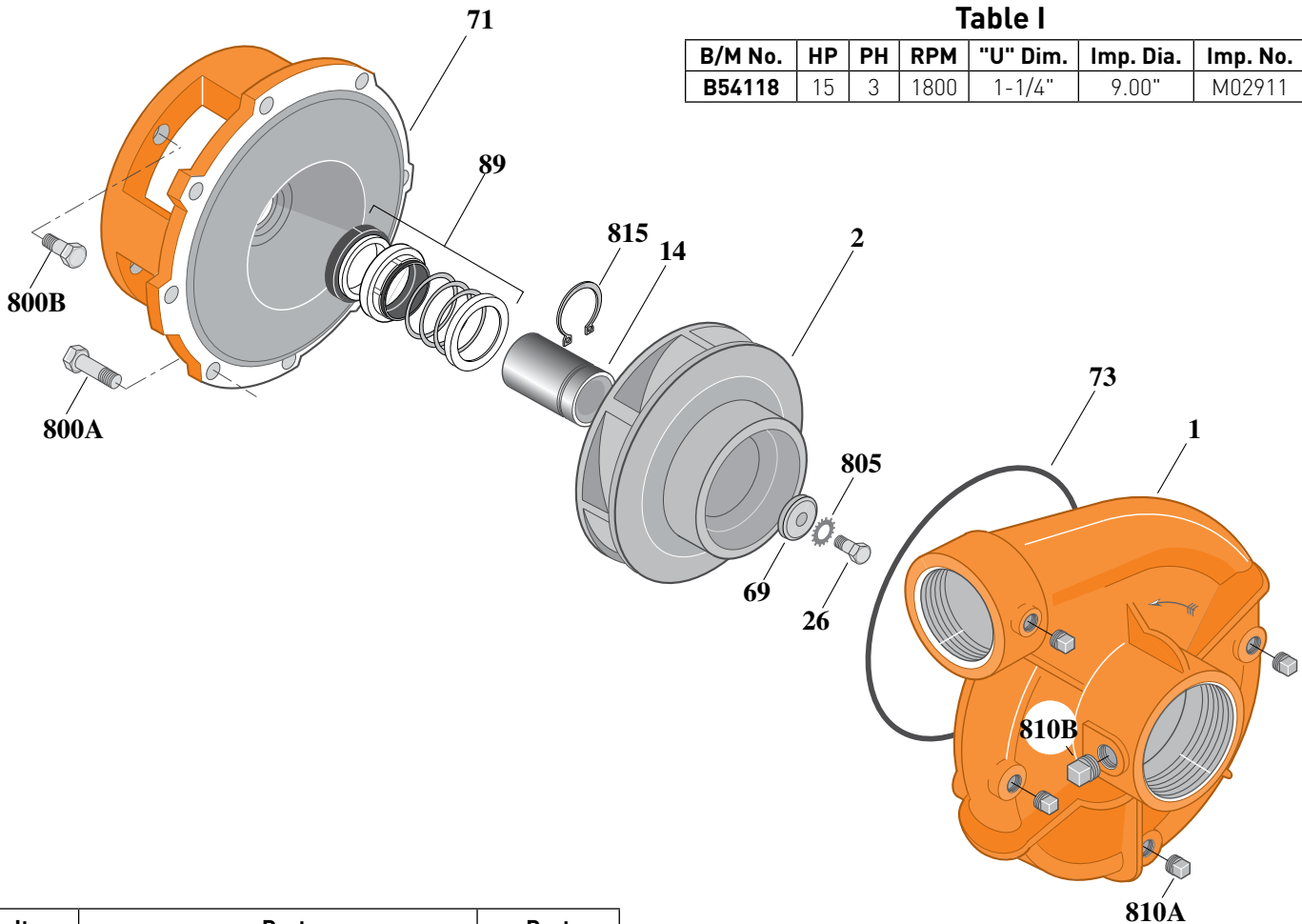
Threaded Case (NPT), Mechanical Shaft Seal Construction

ELECTRIC MOTOR DRIVE

Section	CC
Page	190.6
Date	March 4, 2013
Supersedes 07/01/11	

Table I

B/M No.	HP	PH	RPM	"U" Dim.	Imp. Dia.	Imp. No.
B54118	15	3	1800	1-1/4"	9.00"	M02911



1612 1210

Item No.	Part Description	Part Number
1	Case, Volute	H00689
2	Impeller	See Table I
14	Sleeve, Shaft	S18869L
26	Screw, Impeller 1/2 - 13 x 1"	S23619
32	Key, 1/4 x 2-1/4" [See Note 1]	S23677
69	Washer, Impeller	S06319
71	Bracket	See Table II
73	O-Ring [See Note 2]	M14943
89	Seal, Mechanical Shaft	S32015
800A	Capscrew, 3/8 - 16 x 1" [8 Req.]	S26826
800B	Capscrew, 1/2 - 13 x 1" [4 Req.]	S26912
805	Washer, Lock	S23038
810A	Plug, Pipe 1/4 NPT [4 Req.]	S23715
810B	Plug, Pipe 1/2 NPT	S23717
815	Ring, Retaining	S16767

Table II

HP	PH	Bracket No.	"AK" Fit	"U" Dim.	Motor Frame
15	3	L04615	8-1/2"	1-1/4"	254JM

NOTE 1: For an explanation of the tabulated material found on this page and for impeller key location, refer to **Supplement A** located at the beginning of this section.

NOTE 2: Also accepts gasket **S05126** as replacement for O-Ring. See **Supplement E** located at the beginning of this section.



BERKELEY® B3ZPMS

Cast Iron Impeller

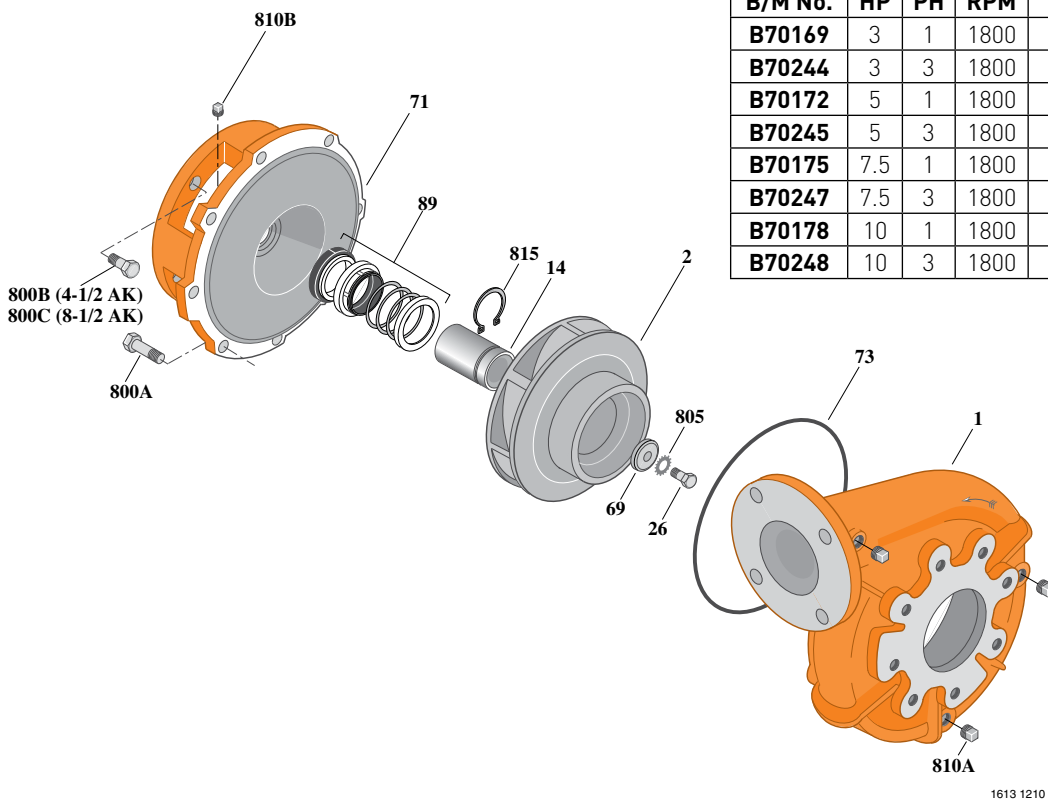
Flanged Case, Mechanical Shaft Seal Construction

ELECTRIC MOTOR DRIVE

Section	CC
Page	190.7
Date	March 4, 2013
Supersedes 07/01/11	

Table I

B/M No.	HP	PH	RPM	"U" Dim.	Imp. Dia.	Imp. No.
B70169	3	1	1800	7/8"	6.06"	M07709
B70244	3	3	1800	7/8"	6.06"	M07709
B70172	5	1	1800	7/8"	7.00"	M07710
B70245	5	3	1800	7/8"	7.00"	M07710
B70175	7.5	1	1800	7/8"	7.88"	M07764
B70247	7.5	3	1800	7/8"	7.88"	M07764
B70178	10	1	1800	7/8"	8.44"	M07765
B70248	10	3	1800	7/8"	8.44"	M07765



Item No.	Part Description	Part Number
1	Case, Volute	H05130
2	Impeller	See Table I
14	Sleeve, Shaft	S19310L
26	Screw, Impeller 3/8 - 16 x 1"	S23566
32	Key, 3/16 x 1-1/4" [See Note 1]	S34383
69	Washer, Impeller	S06314
71	Bracket	See Table II
73	O-Ring [See Note 2]	M14943
89	Seal, Mechanical Shaft	S32014
800A	Capscrew, 3/8 - 16 x 1" [12 Req.] [4-1/2 AK] [Use for Motor and Volute]	S26826
800A	Capscrew, 3/8 - 16 x 1" [8 Req.] [8-1/2 AK] [Use for Volute Only]	S26826
800B	Capscrew, 1/2 - 13 x 1" [4 Req.]	S26912
805	Washer, Lock	S23036
810	Plug, Pipe 1/4 NPT [3 Req.]	S23715
815	Ring, Retaining	S11207

Table II

HP	PH	Bracket No.	"AK" Fit	"U" Dim.	Motor Frame
3	1	L05332	4-1/2"	7/8"	184JM
3	3	L05332	4-1/2"	7/8"	182JM
5	1	L05331	8-1/2"	7/8"	213JM
5	3	L05332	4-1/2"	7/8"	184JM
7.5	1	L05331	8-1/2"	7/8"	215JM
7.5	3	L05331	8-1/2"	7/8"	213JM
10	1	L05331	8-1/2"	7/8"	215JM
10	3	L05331	8-1/2"	7/8"	215JM

NOTE 1: For an explanation of the tabulated material found on this page and for impeller key location, refer to **Supplement A** located at the beginning of this section.

NOTE 2: Also accepts gasket **S05126** as replacement for O-Ring. See **Supplement E** located at the beginning of this section.



BERKELEY® B3ZPMS

Cast Iron Impeller

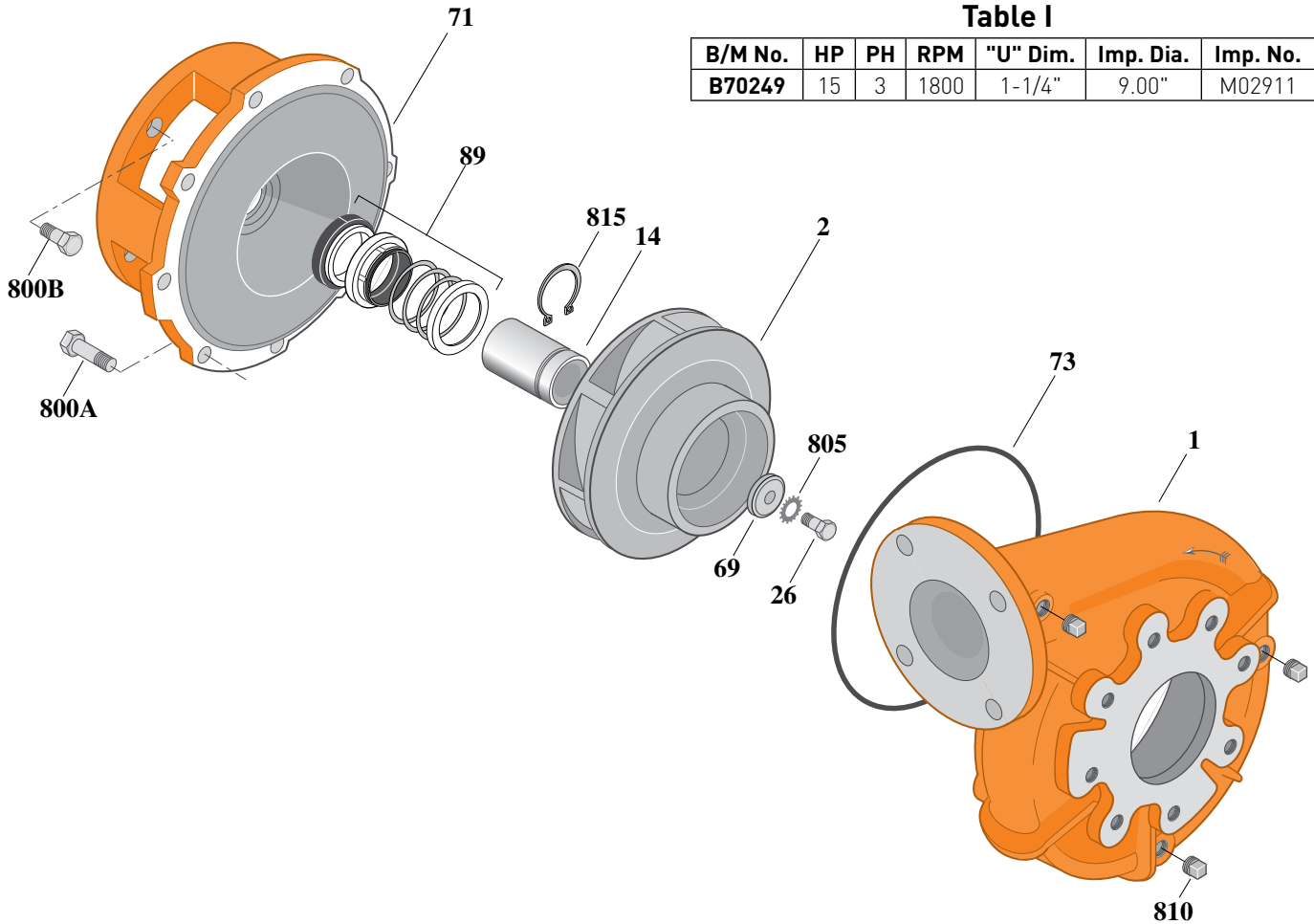
Flanged Case, Mechanical Shaft Seal Construction

ELECTRIC MOTOR DRIVE

Section	CC
Page	190.8
Date	March 4, 2013
Supersedes 07/01/11	

Table I

B/M No.	HP	PH	RPM	"U" Dim.	Imp. Dia.	Imp. No.
B70249	15	3	1800	1-1/4"	9.00"	M02911



1614 0195

Item No.	Part Description	Part Number
1	Case, Volute	H05130
2	Impeller	See Table I
14	Sleeve, Shaft	S18869L
26	Screw, Impeller 1/2 - 13 x 1"	S23619
32	Key, 1/4 x 2-1/4" [See Note 1]	S23677
69	Washer, Impeller	S06319
71	Bracket	See Table II
73	O-Ring [See Note 2]	M14943
89	Seal, Mechanical Shaft	S32015
800A	Capscrew, 3/8 - 16 x 1" [8 Req.]	S26826
800B	Capscrew, 1/2 - 13 x 1" [4 Req.]	S26912
805	Washer, Lock	S23038
810	Plug, Pipe 1/4 NPT [3 Req.]	S23715
815	Ring, Retaining	S16767

Table II

HP	PH	Bracket No.	"AK" Fit	"U" Dim.	Motor Frame
15	3	L04615	8-1/2"	1-1/4"	254JM

NOTE 1: For an explanation of the tabulated material found on this page and for impeller key location, refer to **Supplement A** located at the beginning of this section.

NOTE 2: Also accepts gasket **S05126** as replacement for O-Ring. See **Supplement E** located at the beginning of this section.



BERKELEY® B3ZPM

Bronze Impeller

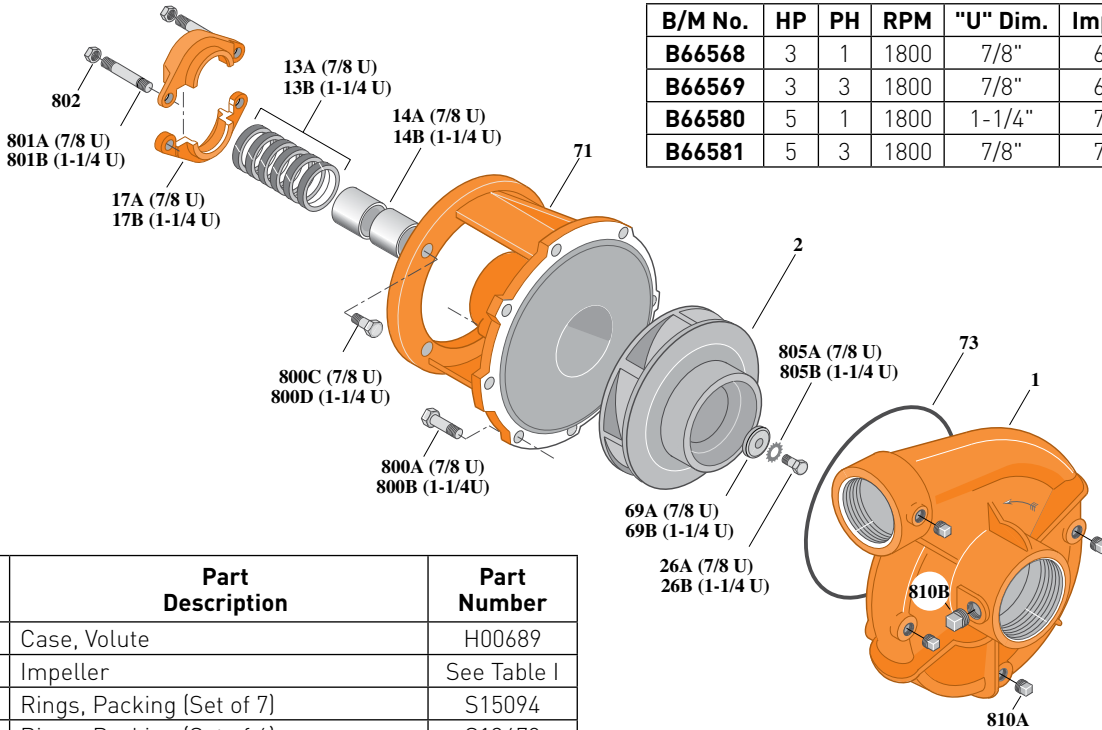
Threaded Case (NPT), Packing Construction

ELECTRIC MOTOR DRIVE

Section	CC
Page	190.9
Date	March 4, 2013
Supersedes 07/01/11	

Table I

B/M No.	HP	PH	RPM	"U" Dim.	Imp. Dia.	Imp. No.
B66568	3	1	1800	7/8"	6.06"	L06697
B66569	3	3	1800	7/8"	6.06"	L06697
B66580	5	1	1800	1-1/4"	7.00"	L06692
B66581	5	3	1800	7/8"	7.00"	L06696



Item No.	Part Description	Part Number
1	Case, Volute	H00689
2	Impeller	See Table I
13A	Rings, Packing [Set of 7]	S15094
13B	Rings, Packing [Set of 6]	S13470
14A	Sleeve, Shaft [2 Req.]	S00619L
14B	Sleeve, Shaft	S05149L
17A	Gland, Packing	B82469
17B	Gland, Packing	B82470
26A	Screw, Impeller 3/8 - 16 x 1"	S23566
26B	Screw, Impeller 1/2 - 13 x 1"	S23619
32A	Key, 3/16 x 1-1/4" [See Note 1]	S34383
32B	Key, 1/4 x 2-1/4" [See Note 1]	S23677
69A	Washer, Impeller	S06314
69B	Washer, Impeller	S06319
71	Bracket	See Table II
73	O-Ring [See Note 2]	M14943
800A	Capscrew, 3/8 - 16 x 1" [12 Req.]	S26826
800B	Capscrew, 3/8 - 16 x 1-1/8" [8 Req.]	S26827
800C	Capscrew, 1/2 - 13 x 1-1/2" [4 Req.]	S26916
801A	Stud, 3/8 - 16 x 3" [2 Req.]	S04439
801B	Stud, 3/8 - 16 x 4" [2 Req.]	S08303
802	Nut, Hex 3/8 - 16 [2 Req.]	S23343
805A	Washer, Lock	S23036
805B	Washer, Lock	S23038
810A	Plug, Pipe 1/4 NPT [4 Req.]	S23715
810B	Plug, Pipe 1/2 NPT	S23717

Table II

HP	PH	Bracket No.	"AK" Fit	"U" Dim.	Motor Frame
3	1	H00950	4-1/2"	7/8"	184JP
3	3	H00950	4-1/2"	7/8"	182JP
5	1	L03827	8-1/2"	1-1/4"	213JP
5	3	H00950	4-1/2"	7/8"	184JP

NOTE 1: For an explanation of the tabulated material found on this page and for impeller key location, refer to **Supplement A** located at the beginning of this section.

NOTE 2: Also accepts gasket **S05126** as replacement for O-Ring. See **Supplement E** located at the beginning of this section.



BERKELEY® B3ZPM

Silicon Bronze Impeller

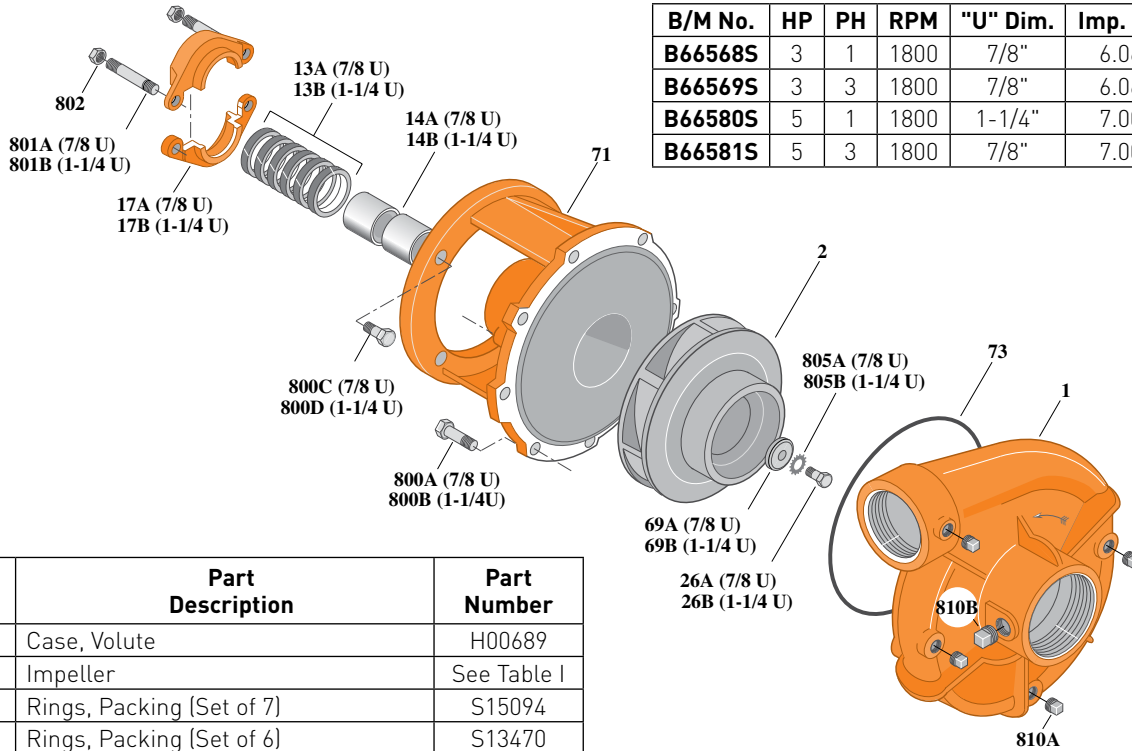
Threaded Case (NPT), Packing Construction

ELECTRIC MOTOR DRIVE

Section	CC
Page	190.10.1
Date	March 4, 2013
Supersedes 07/01/11	

Table I

B/M No.	HP	PH	RPM	"U" Dim.	Imp. Dia.	Imp. No.
B66568S	3	1	1800	7/8"	6.06"	H05480
B66569S	3	3	1800	7/8"	6.06"	H05480
B66580S	5	1	1800	1-1/4"	7.00"	H05478
B66581S	5	3	1800	7/8"	7.00"	H05481



Item No.	Part Description	Part Number
1	Case, Volute	H00689
2	Impeller	See Table I
13A	Rings, Packing [Set of 7]	S15094
13B	Rings, Packing [Set of 6]	S13470
14A	Sleeve, Shaft [2 Req.]	S00619L
14B	Sleeve, Shaft	S05149L
17A	Gland, Packing	B82469
17B	Gland, Packing	B82470
26A	Screw, Impeller 3/8 - 16 x 1"	S23566
26B	Screw, Impeller 1/2 - 13 x 1"	S23619
32A	Key, 3/16 x 1-1/4" [See Note 1]	S34383
32B	Key, 1/4 x 2-1/4" [See Note 1]	S23677
69A	Washer, Impeller	S06314
69B	Washer, Impeller	S06319
71	Bracket	See Table II
73	O-Ring [See Note 2]	M14943
800A	Capscrew, 3/8 - 16 x 1" [12 Req.]	S26826
800B	Capscrew, 3/8 - 16 x 1-1/8" [8 Req.]	S26827
800C	Capscrew, 1/2 - 13 x 1-1/2" [4 Req.]	S26916
801A	Stud, 3/8 - 16 x 3" [2 Req.]	S04439
801B	Stud, 3/8 - 16 x 4" [2 Req.]	S08303
802	Nut, Hex 3/8 - 16 [2 Req.]	S23343
805A	Washer, Lock	S23036
805B	Washer, Lock	S23038
810A	Plug, Pipe 1/4 NPT [4 Req.]	S23715
810B	Plug, Pipe 1/2 NPT	S23717

Table II

HP	PH	Bracket No.	"AK" Fit	"U" Dim.	Motor Frame
3	1	H00950	4-1/2"	7/8"	184JP
3	3	H00950	4-1/2"	7/8"	182JP
5	1	L03827	8-1/2"	1-1/4"	213JP
5	3	H00950	4-1/2"	7/8"	184JP

NOTE 1: For an explanation of the tabulated material found on this page and for impeller key location, refer to **Supplement A** located at the beginning of this section.

NOTE 2: Also accepts gasket **S05126** as replacement for O-Ring. See **Supplement E** located at the beginning of this section.



BERKELEY® B3ZPM

Silicon Bronze Impeller

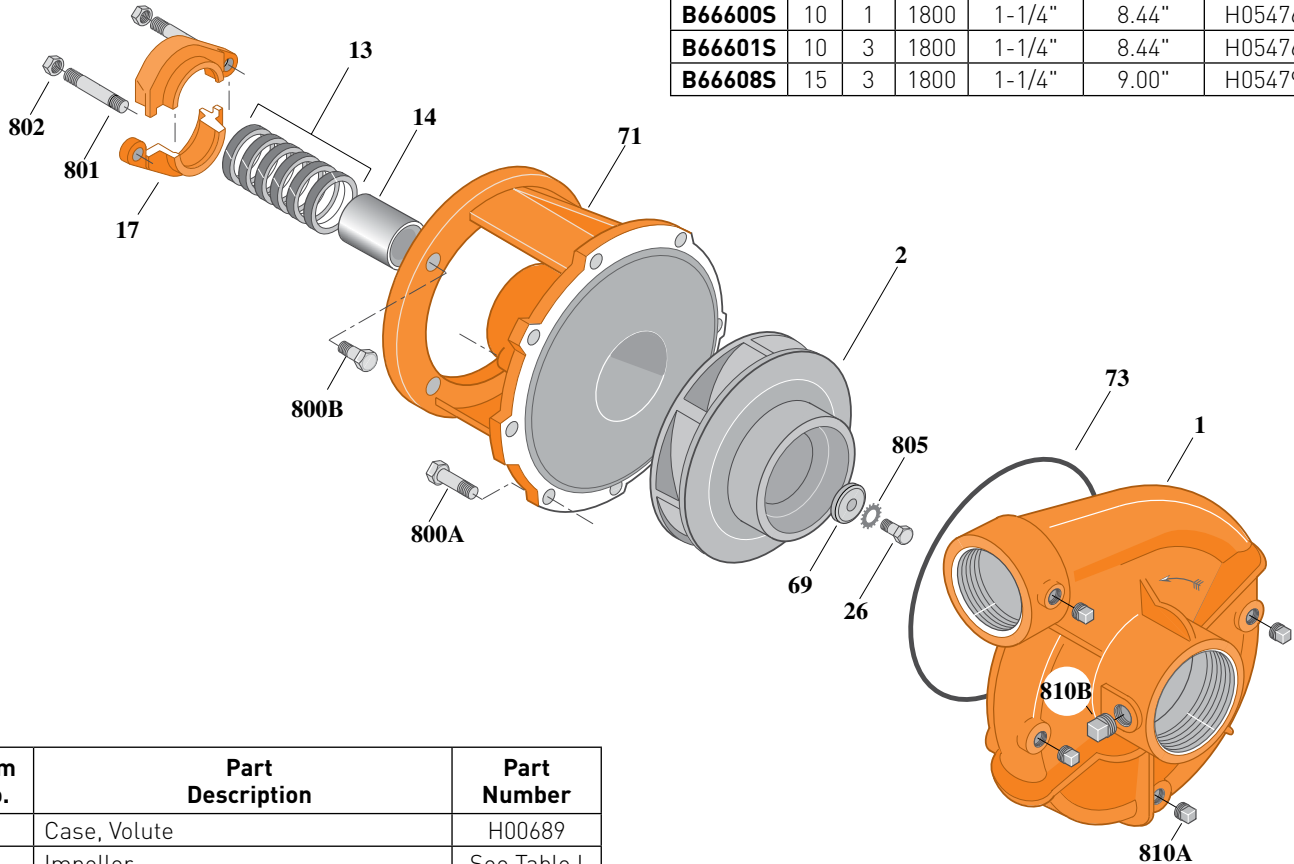
Threaded Case (NPT), Packing Construction

ELECTRIC MOTOR DRIVE

Section	CC
Page	190.10.2
Date	March 4, 2013
Supersedes 07/01/11	

Table I

B/M No.	HP	PH	RPM	"U" Dim.	Imp. Dia.	Imp. No.
B66590S	7.5	1	1800	1-1/4"	7.88"	H05477
B66591S	7.5	3	1800	1-1/4"	7.88"	H05477
B66600S	10	1	1800	1-1/4"	8.44"	H05476
B66601S	10	3	1800	1-1/4"	8.44"	H05476
B66608S	15	3	1800	1-1/4"	9.00"	H05479



Item No.	Part Description	Part Number
1	Case, Volute	H00689
2	Impeller	See Table I
13	Rings, Packing (Set of 6)	S13470
14	Sleeve, Shaft	S05149L
17	Gland, Packing	B82470
26	Screw, Impeller 1/2 - 13 x 1"	S23619
32	Key, 1/4 x 2-1/4" (See Note 1)	S23677
69	Washer, Impeller	S06319
71	Bracket	See Table II
73	O-Ring (See Note 2)	M14943
800A	Capscrew, 3/8 - 16 x 1-1/8" [8 Req.]	S26827
800B	Capscrew, 1/2 - 13 x 1-1/2" [4 Req.]	S26916
801	Stud, 3/8 - 16 x 4" [2 Req.]	S08303
802	Nut, Hex 3/8 - 16 [2 Req.]	S23343
805	Washer, Lock	S23038
810A	Plug, Pipe 1/4 NPT [4 Req.]	S23715
810B	Plug, Pipe 1/2 NPT	S23717

Table II

HP	PH	Bracket No.	"AK" Fit	"U" Dim.	Motor Frame
7.5	1	L03827	8-1/2"	1-1/4"	215JP
7.5	3	L03827	8-1/2"	1-1/4"	213JP
10	1	L03827	8-1/2"	1-1/4"	215JP
10	3	L03827	8-1/2"	1-1/4"	215JP
15	3	L03827	8-1/2"	1-1/4"	254JP

NOTE 1: For an explanation of the tabulated material found on this page and for impeller key location, refer to **Supplement A** located at the beginning of this section.

NOTE 2: Also accepts gasket **S05126** as replacement for O-Ring. See **Supplement E** located at the beginning of this section.



BERKELEY® B3ZPM

Bronze Impeller

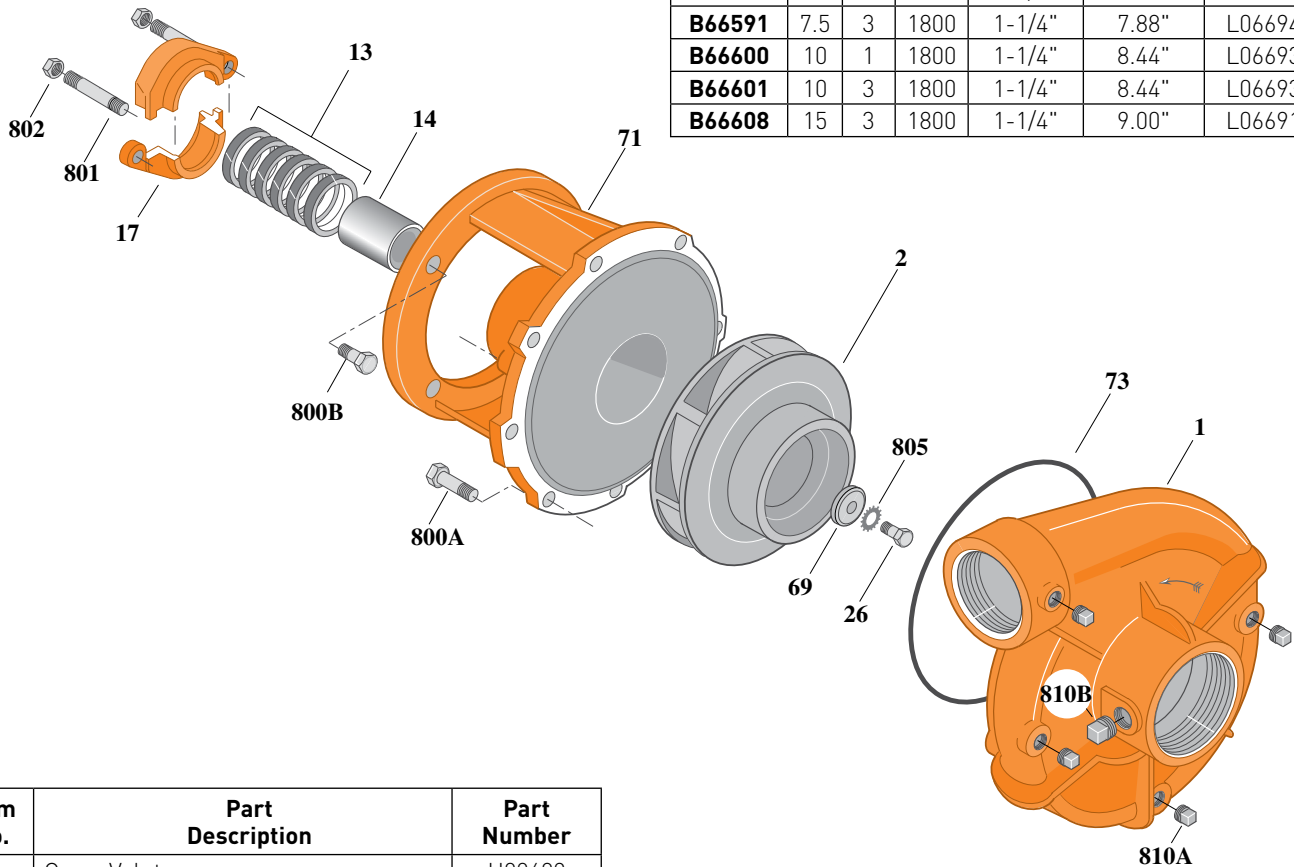
Threaded Case (NPT), Packing Construction

ELECTRIC MOTOR DRIVE

Section	CC
Page	190.10
Date	March 4, 2013
Supersedes 07/01/11	

Table I

B/M No.	HP	PH	RPM	"U" Dim.	Imp. Dia.	Imp. No.
B66590	7.5	1	1800	1-1/4"	7.88"	L06694
B66591	7.5	3	1800	1-1/4"	7.88"	L06694
B66600	10	1	1800	1-1/4"	8.44"	L06693
B66601	10	3	1800	1-1/4"	8.44"	L06693
B66608	15	3	1800	1-1/4"	9.00"	L06691



Item No.	Part Description	Part Number
1	Case, Volute	H00689
2	Impeller	See Table I
13	Rings, Packing (Set of 6)	S13470
14	Sleeve, Shaft	S05149L
17	Gland, Packing	B82470
26	Screw, Impeller 1/2 - 13 x 1"	S23619
32	Key, 1/4 x 2-1/4" (See Note 1)	S23677
69	Washer, Impeller	S06319
71	Bracket	See Table II
73	O-Ring (See Note 2)	M14943
800A	Capscrew, 3/8 - 16 x 1-1/8" [8 Req.]	S26827
800B	Capscrew, 1/2 - 13 x 1-1/2" [4 Req.]	S26916
801	Stud, 3/8 - 16 x 4" [2 Req.]	S08303
802	Nut, Hex 3/8 - 16 [2 Req.]	S23343
805	Washer, Lock	S23038
810A	Plug, Pipe 1/4 NPT [4 Req.]	S23715
810B	Plug, Pipe 1/2 NPT	S23717

Table II

HP	PH	Bracket No.	"AK" Fit	"U" Dim.	Motor Frame
7.5	1	L03827	8-1/2"	1-1/4"	215JP
7.5	3	L03827	8-1/2"	1-1/4"	213JP
10	1	L03827	8-1/2"	1-1/4"	215JP
10	3	L03827	8-1/2"	1-1/4"	215JP
15	3	L03827	8-1/2"	1-1/4"	254JP

NOTE 1: For an explanation of the tabulated material found on this page and for impeller key location, refer to **Supplement A** located at the beginning of this section.

NOTE 2: Also accepts gasket **S05126** as replacement for O-Ring. See **Supplement E** located at the beginning of this section.



BERKELEY® B3ZPM

Bronze Impeller

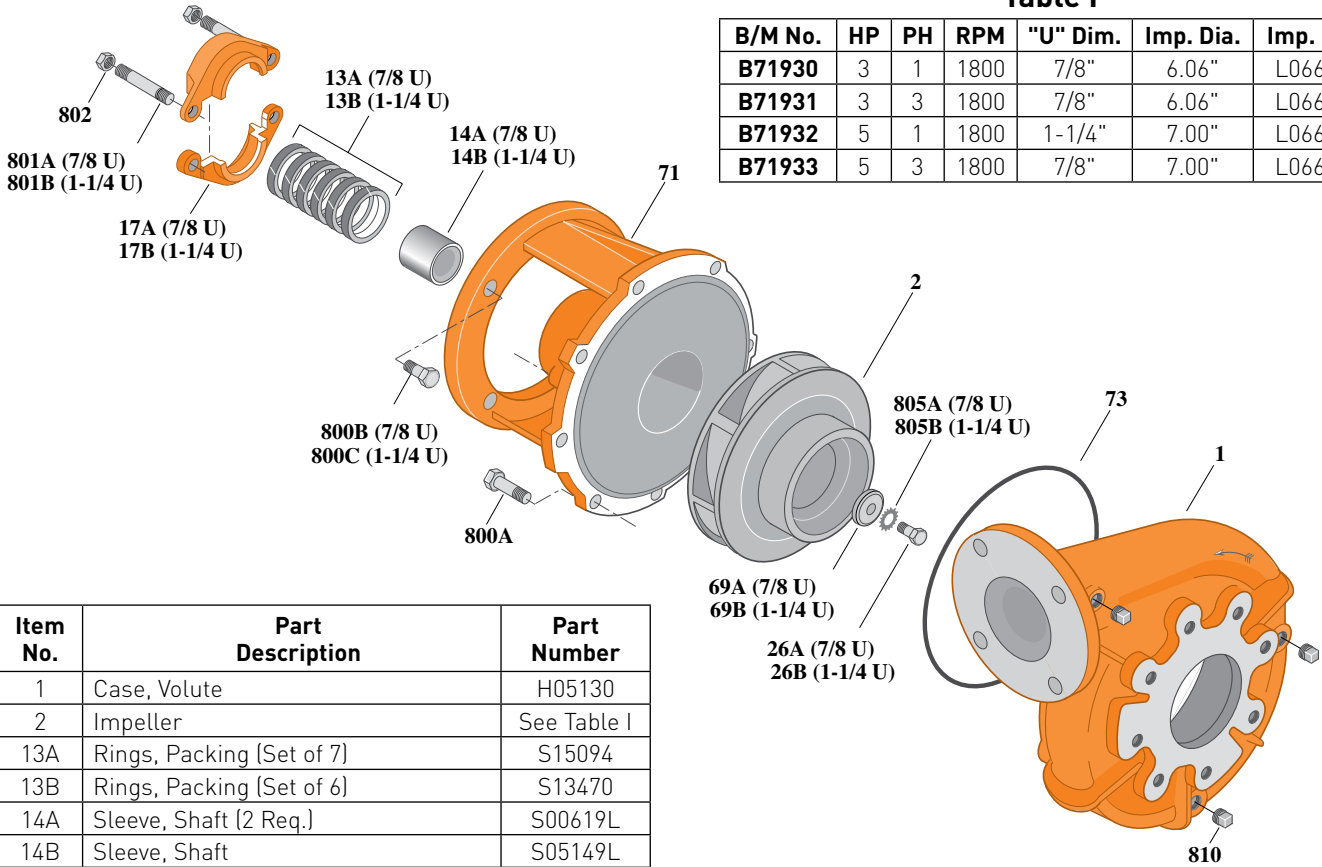
Flanged Case, Packing Construction

ELECTRIC MOTOR DRIVE

Section	CC
Page	190.11
Date	March 4, 2013
Supersedes 07/01/11	

Table I

B/M No.	HP	PH	RPM	"U" Dim.	Imp. Dia.	Imp. No.
B71930	3	1	1800	7/8"	6.06"	L06697
B71931	3	3	1800	7/8"	6.06"	L06697
B71932	5	1	1800	1-1/4"	7.00"	L06692
B71933	5	3	1800	7/8"	7.00"	L06696



Item No.	Part Description	Part Number
1	Case, Volute	H05130
2	Impeller	See Table I
13A	Rings, Packing [Set of 7]	S15094
13B	Rings, Packing [Set of 6]	S13470
14A	Sleeve, Shaft [2 Req.]	S00619L
14B	Sleeve, Shaft	S05149L
17A	Gland, Packing	B82469
17B	Gland, Packing	B82470
26A	Screw, Impeller 3/8 - 16 x 1"	S23566
26B	Screw, Impeller 1/2 - 13 x 1"	S23619
32A	Key, 3/16 x 1-1/4" [See Note 1]	S34383
32B	Key, 1/4 x 2-1/4" [See Note 1]	S23677
69A	Washer, Impeller	S06314
69B	Washer, Impeller	S06319
71	Bracket	See Table II
73	O-Ring [See Note 2]	M14943
800A	Capscrew, 3/8 - 16 x 1" [12 Req.]	S26826
800B	Capscrew, 3/8 - 16 x 1" [8 Req.]	S26827
800C	Capscrew, 1/2 - 13 x 1-1/2" [4 Req.]	S26916
801A	Stud, 3/8 - 16 x 3" [2 Req.]	S04439
801B	Stud, 3/8 - 16 x 4" [2 Req.]	S08303
802	Nut, Hex 3/8 - 16 [2 Req.]	S23343
805A	Washer, Lock	S23036
805B	Washer, Lock	S23038
810	Plug, Pipe 1/4 NPT [3 Req.]	S23715

Table II

HP	PH	Bracket No.	"AK" Fit	"U" Dim.	Motor Frame
3	1	H00950	4-1/2"	7/8"	184JP
3	3	H00950	4-1/2"	7/8"	182JP
5	1	L03827	8-1/2"	1-1/4"	213JP
5	3	H00950	4-1/2"	7/8"	184JP

NOTE 1: For an explanation of the tabulated material found on this page and for impeller key location, refer to **Supplement A** located at the beginning of this section.

NOTE 2: Also accepts gasket **S05126** as replacement for O-Ring. See **Supplement E** located at the beginning of this section.



BERKELEY® B3ZPM

Silicon Bronze Impeller

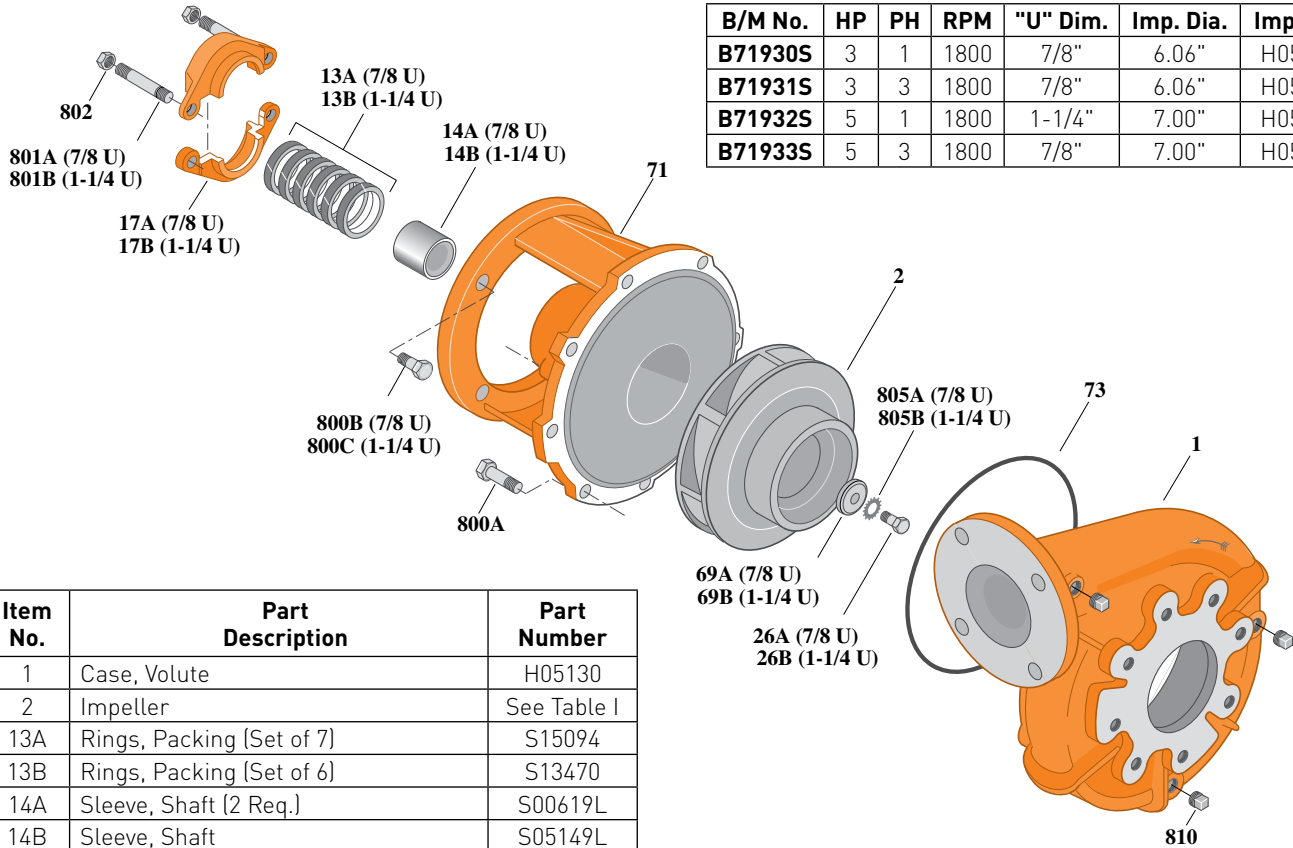
Flanged Case, Packing Construction

ELECTRIC MOTOR DRIVE

Section	CC
Page	190.12.1
Date	March 4, 2013
Supersedes 07/01/11	

Table I

B/M No.	HP	PH	RPM	"U" Dim.	Imp. Dia.	Imp. No.
B71930S	3	1	1800	7/8"	6.06"	H05480
B71931S	3	3	1800	7/8"	6.06"	H05480
B71932S	5	1	1800	1-1/4"	7.00"	H05478
B71933S	5	3	1800	7/8"	7.00"	H05481



Item No.	Part Description	Part Number
1	Case, Volute	H05130
2	Impeller	See Table I
13A	Rings, Packing [Set of 7]	S15094
13B	Rings, Packing [Set of 6]	S13470
14A	Sleeve, Shaft [2 Req.]	S00619L
14B	Sleeve, Shaft	S05149L
17A	Gland, Packing	B82469
17B	Gland, Packing	B82470
26A	Screw, Impeller 3/8 - 16 x 1"	S23566
26B	Screw, Impeller 1/2 - 13 x 1"	S23619
32A	Key, 3/16 x 1-1/4" [See Note 1]	S34383
32B	Key, 1/4 x 2-1/4" [See Note 1]	S23677
69A	Washer, Impeller	S06314
69B	Washer, Impeller	S06319
71	Bracket	See Table II
73	O-Ring [See Note 2]	M14943
800A	Capscrew, 3/8 - 16 x 1" [12 Req.]	S26826
800B	Capscrew, 3/8 - 16 x 1" [8 Req.]	S26827
800C	Capscrew, 1/2 - 13 x 1-1/2" [4 Req.]	S26916
801A	Stud, 3/8 - 16 x 3" [2 Req.]	S04439
801B	Stud, 3/8 - 16 x 4" [2 Req.]	S08303
802	Nut, Hex 3/8 - 16 [2 Req.]	S23343
805A	Washer, Lock	S23036
805B	Washer, Lock	S23038
810	Plug, Pipe 1/4 NPT [3 Req.]	S23715

Table II

HP	PH	Bracket No.	"AK" Fit	"U" Dim.	Motor Frame
3	1	H00950	4-1/2"	7/8"	184JP
3	3	H00950	4-1/2"	7/8"	182JP
5	1	L03827	8-1/2"	1-1/4"	213JP
5	3	H00950	4-1/2"	7/8"	184JP

NOTE 1: For an explanation of the tabulated material found on this page and for impeller key location, refer to **Supplement A** located at the beginning of this section.

NOTE 2: Also accepts gasket **S05126** as replacement for O-Ring. See **Supplement E** located at the beginning of this section.



BERKELEY® B3ZPM

Silicon Bronze Impeller

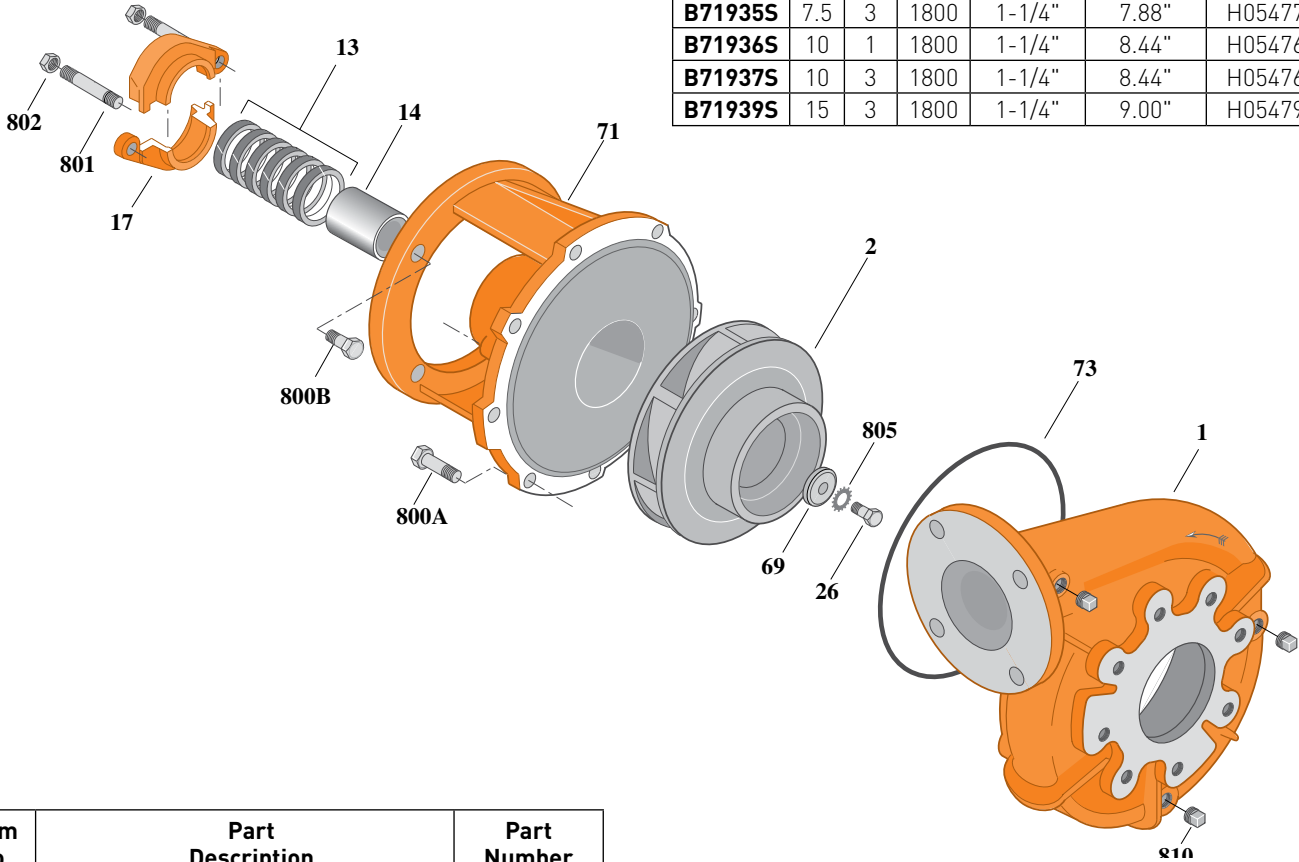
Flanged Case, Packing Construction

ELECTRIC MOTOR DRIVE

Section	CC
Page	190.12.2
Date	March 4, 2013
Supersedes 07/01/11	

Table I

B/M No.	HP	PH	RPM	"U" Dim.	Imp. Dia.	Imp. No.
B71934S	7.5	1	1800	1-1/4"	7.88"	H05477
B71935S	7.5	3	1800	1-1/4"	7.88"	H05477
B71936S	10	1	1800	1-1/4"	8.44"	H05476
B71937S	10	3	1800	1-1/4"	8.44"	H05476
B71939S	15	3	1800	1-1/4"	9.00"	H05479



Item No.	Part Description	Part Number
1	Case, Volute	H05130
2	Impeller	See Table I
13	Rings, Packing (Set of 6)	S13470
14	Sleeve, Shaft	S05149L
17	Gland, Packing	B82470
26	Screw, Impeller 1/2 - 13 x 1"	S23619
32	Key, 1/4 x 2-1/4" [See Note 1]	S23677
69	Washer, Impeller	S06319
71	Bracket	See Table II
73	O-Ring [See Note 2]	M14943
800A	Capscrew, 3/8 - 16 x 1" [8 Req.]	S26826
800B	Capscrew, 1/2 - 13 x 1-1/2" [4 Req.]	S26916
801	Stud, 3/8 - 16 x 4" [2 Req.]	S08303
802	Nut, Hex 3/8 - 16 [2 Req.]	S23343
805	Washer, Lock	S23038
810	Plug, Pipe 1/4 NPT [3 Req.]	S23715

Table II

HP	PH	Bracket No.	"AK" Fit	"U" Dim.	Motor Frame
7.5	1	L03827	8-1/2"	1-1/4"	215JP
7.5	3	L03827	8-1/2"	1-1/4"	213JP
10	1	L03827	8-1/2"	1-1/4"	215JP
10	3	L03827	8-1/2"	1-1/4"	215JP
15	3	L03827	8-1/2"	1-1/4"	254JP

NOTE 1: For an explanation of the tabulated material found on this page and for impeller key location, refer to **Supplement A** located at the beginning of this section.

NOTE 2: Also accepts gasket **S05126** as replacement for O-Ring. See **Supplement E** located at the beginning of this section.



BERKELEY® B3ZPM

Bronze Impeller

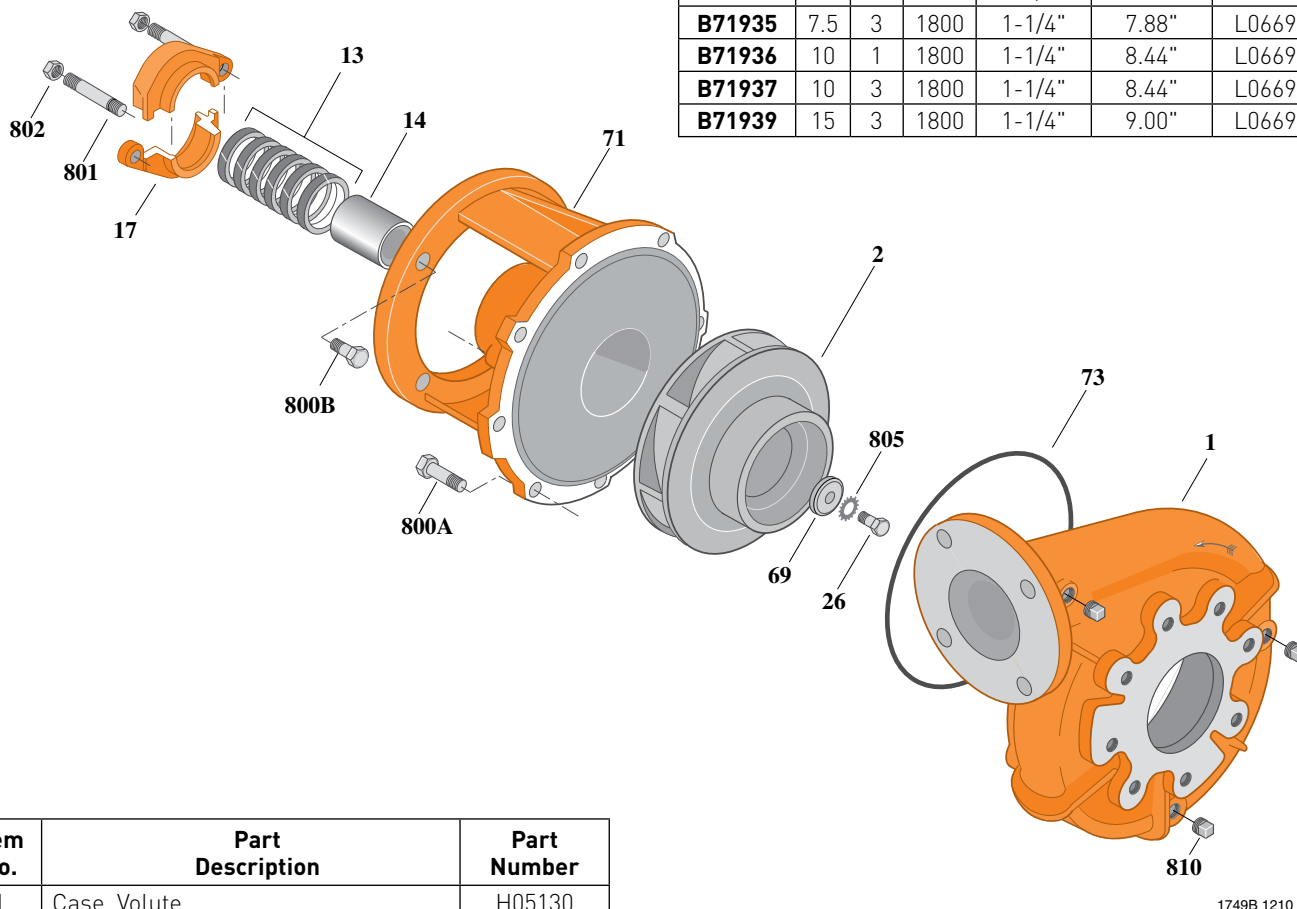
Flanged Case, Packing Construction

ELECTRIC MOTOR DRIVE

Section	CC
Page	190.12
Date	March 4, 2013
Supersedes 07/01/11	

Table I

B/M No.	HP	PH	RPM	"U" Dim.	Imp. Dia.	Imp. No.
B71934	7.5	1	1800	1-1/4"	7.88"	L06694
B71935	7.5	3	1800	1-1/4"	7.88"	L06694
B71936	10	1	1800	1-1/4"	8.44"	L06693
B71937	10	3	1800	1-1/4"	8.44"	L06693
B71939	15	3	1800	1-1/4"	9.00"	L06691



1749B 1210

Item No.	Part Description	Part Number
1	Case, Volute	H05130
2	Impeller	See Table I
13	Rings, Packing (Set of 6)	S13470
14	Sleeve, Shaft	S05149L
17	Gland, Packing	B82470
26	Screw, Impeller 1/2 - 13 x 1"	S23619
32	Key, 1/4 x 2-1/4" [See Note 1]	S23677
69	Washer, Impeller	S06319
71	Bracket	See Table II
73	O-Ring [See Note 2]	M14943
800A	Capscrew, 3/8 - 16 x 1" [8 Req.]	S26826
800B	Capscrew, 1/2 - 13 x 1-1/2" [4 Req.]	S26916
801	Stud, 3/8 - 16 x 4" [2 Req.]	S08303
802	Nut, Hex 3/8 - 16 [2 Req.]	S23343
805	Washer, Lock	S23038
810	Plug, Pipe 1/4 NPT [3 Req.]	S23715

Table II

HP	PH	Bracket No.	"AK" Fit	"U" Dim.	Motor Frame
7.5	1	L03827	8-1/2"	1-1/4"	215JP
7.5	3	L03827	8-1/2"	1-1/4"	213JP
10	1	L03827	8-1/2"	1-1/4"	215JP
10	3	L03827	8-1/2"	1-1/4"	215JP
15	3	L03827	8-1/2"	1-1/4"	254JP

NOTE 1: For an explanation of the tabulated material found on this page and for impeller key location, refer to **Supplement A** located at the beginning of this section.

NOTE 2: Also accepts gasket **S05126** as replacement for O-Ring. See **Supplement E** located at the beginning of this section.



BERKELEY® B3ZPMS

Bronze Impeller

Threaded Case (NPT), Mechanical Shaft Seal Construction

ELECTRIC MOTOR DRIVE

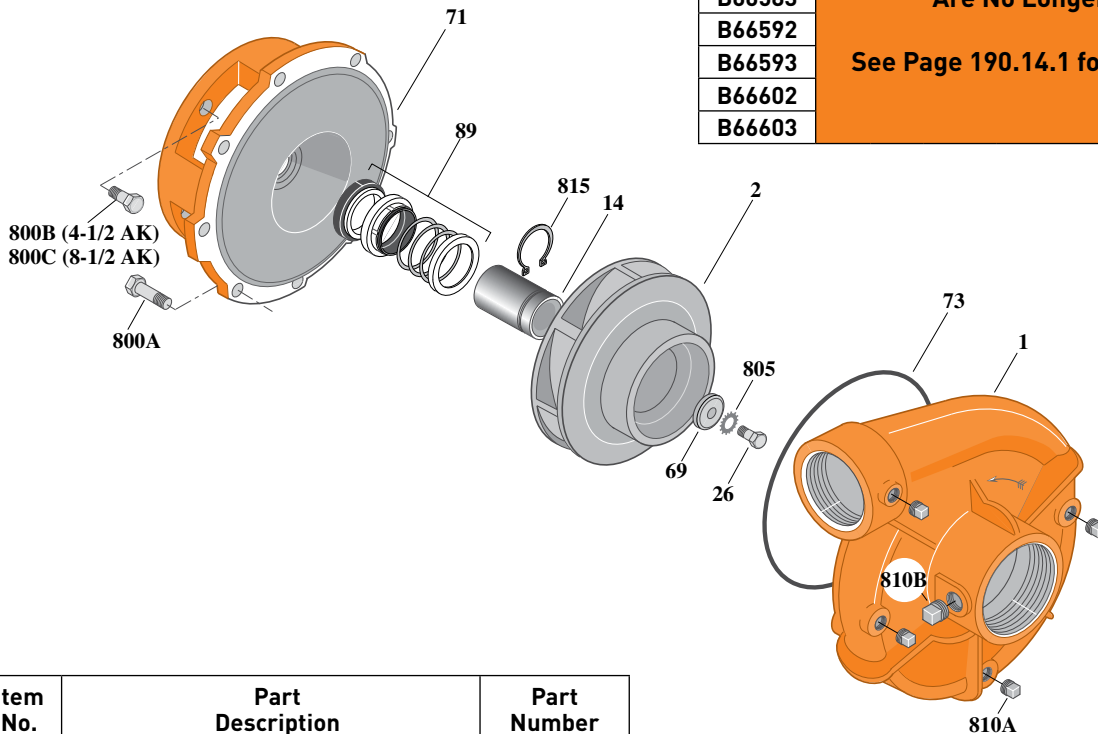
Section	CC
Page	190.13
Date	March 4, 2013
Supersedes 07/01/11	

Table I

B/M No.	HP	PH	RPM	"U" Dim.	Imp. Dia.	Imp. No.
B66570						
B66571						
B66582						
B66583						
B66592						
B66593						
B66602						
B66603						

**These B/M Numbers
Are No Longer Available.**

See Page 190.14.1 for Current Models.



Item No.	Part Description	Part Number
1	Case, Volute	H00689
2	Impeller	See Table I
14	Sleeve, Shaft	S19310L
26	Screw, Impeller 3/8 - 16 x 1"	S23566
32	Key, 3/16 x 1-1/4" [See Note 1]	S34383
69	Washer, Impeller	S06314
71	Bracket	See Table II
73	O-Ring [See Note 2]	M14943
89	Seal, Mechanical Shaft	S32014
800A	Capscrew, 3/8 - 16 x 1" [12 Req.] [4-1/2 AK] [Use for Motor and Volute]	S26826
800A	Capscrew, 3/8 - 16 x 1" [8 Req.] [8-1/2 AK] [Use for Volute Only]	S26826
800B	Capscrew, 1/2 - 13 x 1" [4 Req.]	S26912
805	Washer, Lock	S23036
810A	Plug, Pipe 1/4 NPT [4 Req.]	S23715
810B	Plug, Pipe 1/2 NPT	S23717
815	Ring, Retaining	S11207

Table II

HP	PH	Bracket No.	"AK" Fit	"U" Dim.	Motor Frame
3	1	L05332	4-1/2"	7/8"	184JM
3	3	L05332	4-1/2"	7/8"	182JM
5	1	L05331	8-1/2"	7/8"	213JM
5	3	L05332	4-1/2"	7/8"	184JM
7.5	1	L05331	8-1/2"	7/8"	215JM
7.5	3	L05331	8-1/2"	7/8"	213JM
10	1	L05331	8-1/2"	7/8"	215JM
10	3	L05331	8-1/2"	7/8"	215JM

NOTE 1: For an explanation of the tabulated material found on this page and for impeller key location, refer to **Supplement A** located at the beginning of this section.

NOTE 2: Also accepts gasket **S05126** as replacement for O-Ring. See **Supplement E** located at the beginning of this section.

BERKELEY® B3ZPMS Silicon Bronze Impeller

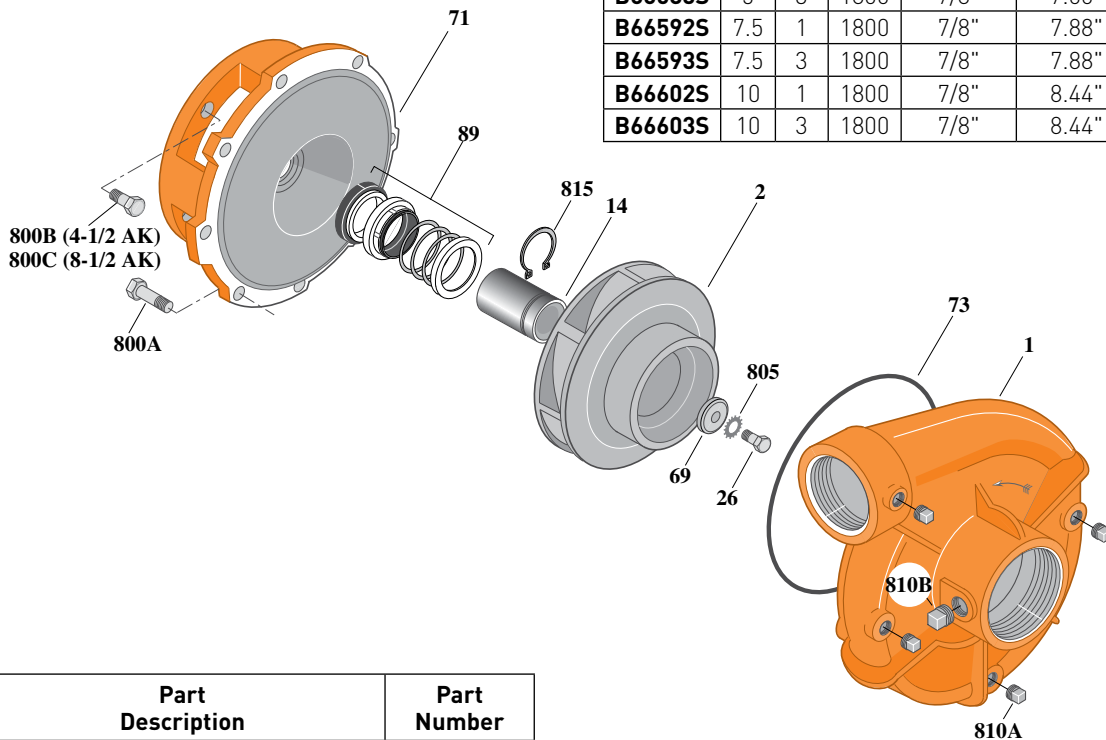
Threaded Case (NPT), Mechanical Shaft Seal Construction

ELECTRIC MOTOR DRIVE

Section	CC
Page	190.14.1
Date	March 4, 2013
Supersedes 07/01/11	

Table I

B/M No.	HP	PH	RPM	"U" Dim.	Imp. Dia.	Imp. No.
B66570S	3	1	1800	7/8"	6.06"	H05480
B66571S	3	3	1800	7/8"	6.06"	H05480
B66582S	5	1	1800	7/8"	7.00"	H05481
B66583S	5	3	1800	7/8"	7.00"	H05481
B66592S	7.5	1	1800	7/8"	7.88"	H05482
B66593S	7.5	3	1800	7/8"	7.88"	H05482
B66602S	10	1	1800	7/8"	8.44"	H05483
B66603S	10	3	1800	7/8"	8.44"	H05483



Item No.	Part Description	Part Number
1	Case, Volute	H00689
2	Impeller	See Table I
14	Sleeve, Shaft	S19310L
26	Screw, Impeller 3/8 - 16 x 1"	S23566
32	Key, 3/16 x 1-1/4" [See Note 1]	S34383
69	Washer, Impeller	S06314
71	Bracket	See Table II
73	O-Ring [See Note 2]	M14943
89	Seal, Mechanical Shaft	S32014
800A	Capscrew, 3/8 - 16 x 1" [12 Req.] [4-1/2 AK] [Use for Motor and Volute]	S26826
800A	Capscrew, 3/8 - 16 x 1" [8 Req.] [8-1/2 AK] [Use for Volute Only]	S26826
800B	Capscrew, 1/2 - 13 x 1" [4 Req.]	S26912
805	Washer, Lock	S23036
810A	Plug, Pipe 1/4 NPT [4 Req.]	S23715
810B	Plug, Pipe 1/2 NPT	S23717
815	Ring, Retaining	S11207

Table II

HP	PH	Bracket No.	"AK" Fit	"U" Dim.	Motor Frame
3	1	L05332	4-1/2"	7/8"	184JM
3	3	L05332	4-1/2"	7/8"	182JM
5	1	L05331	8-1/2"	7/8"	213JM
5	3	L05332	4-1/2"	7/8"	184JM
7.5	1	L05331	8-1/2"	7/8"	215JM
7.5	3	L05331	8-1/2"	7/8"	213JM
10	1	L05331	8-1/2"	7/8"	215JM
10	3	L05331	8-1/2"	7/8"	215JM

NOTE 1: For an explanation of the tabulated material found on this page and for impeller key location, refer to **Supplement A** located at the beginning of this section.

NOTE 2: Also accepts gasket **S05126** as replacement for O-Ring. See **Supplement E** located at the beginning of this section.



BERKELEY® B3ZPMS Silicon Bronze Impeller

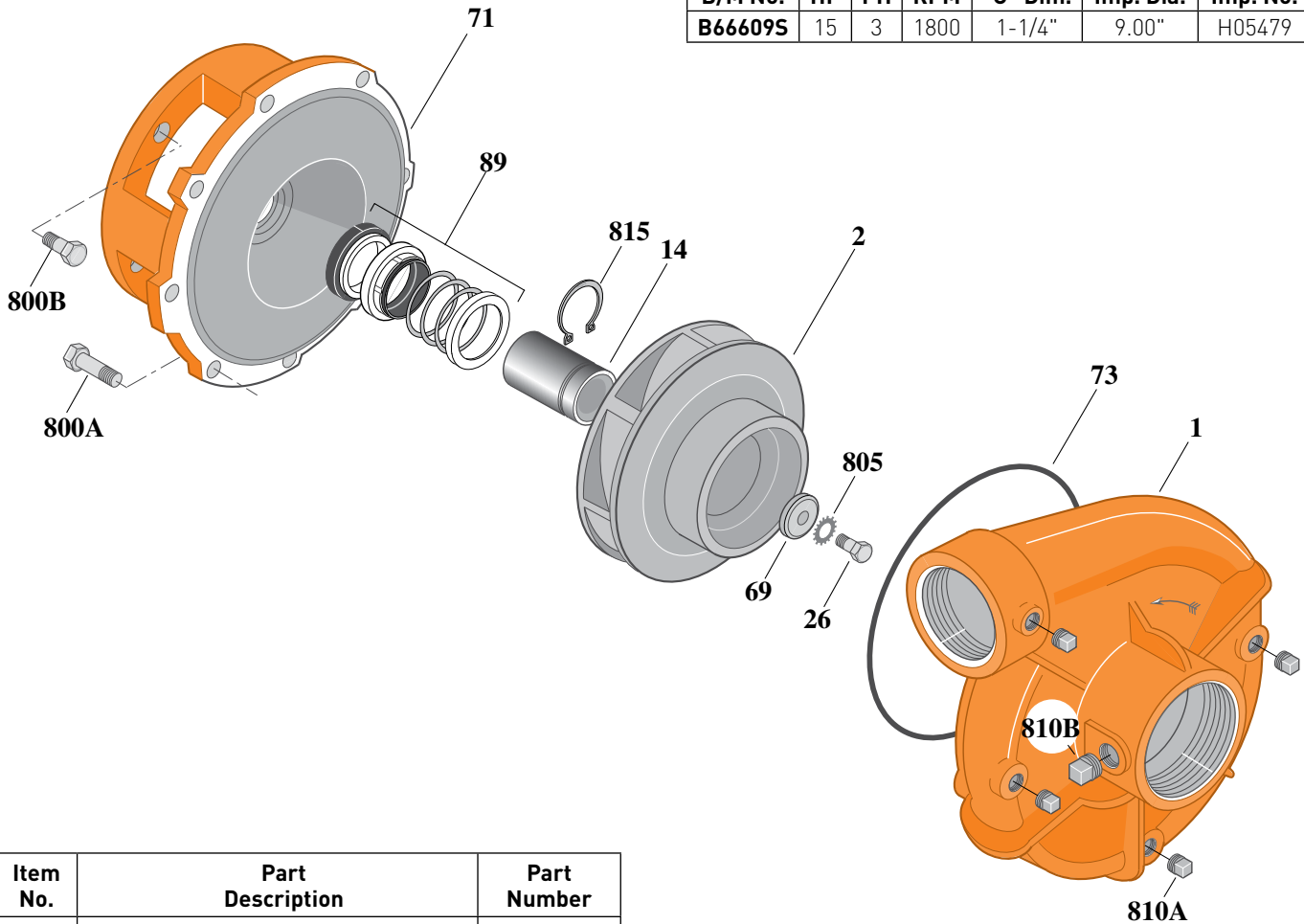
Threaded Case (NPT), Mechanical Shaft Seal Construction

ELECTRIC MOTOR DRIVE

Section	CC
Page	190.14.2
Date	March 4, 2013
Supersedes 07/01/11	

Table I

B/M No.	HP	PH	RPM	"U" Dim.	Imp. Dia.	Imp. No.
B66609S	15	3	1800	1-1/4"	9.00"	H05479



1612 1210

Item No.	Part Description	Part Number
1	Case, Volute	H00689
2	Impeller	See Table I
14	Sleeve, Shaft	S18869L
26	Screw, Impeller 1/2 - 13 x 1"	S23619
32	Key, 1/4 x 2-1/4" [See Note 1]	S23677
69	Washer, Impeller	S06319
71	Bracket	See Table II
73	O-Ring [See Note 2]	M14943
89	Seal, Mechanical Shaft	S32015
800A	Capscrew, 3/8 - 16 x 1" [8 Req.]	S26826
800B	Capscrew, 1/2 - 13 x 1" [4 Req.]	S26912
805	Washer, Lock	S23038
810A	Plug, Pipe 1/4 NPT [4 Req.]	S23715
810B	Plug, Pipe 1/2 NPT	S23717
815	Ring, Retaining	S16767

Table II

HP	PH	Bracket No.	"AK" Fit	"U" Dim.	Motor Frame
15	3	L04615	8-1/2"	1-1/4"	254JM

NOTE 1: For an explanation of the tabulated material found on this page and for impeller key location, refer to **Supplement A** located at the beginning of this section.

NOTE 2: Also accepts gasket **S05126** as replacement for O-Ring. See **Supplement E** located at the beginning of this section.



BERKELEY® B3ZPMS

Bronze Impeller

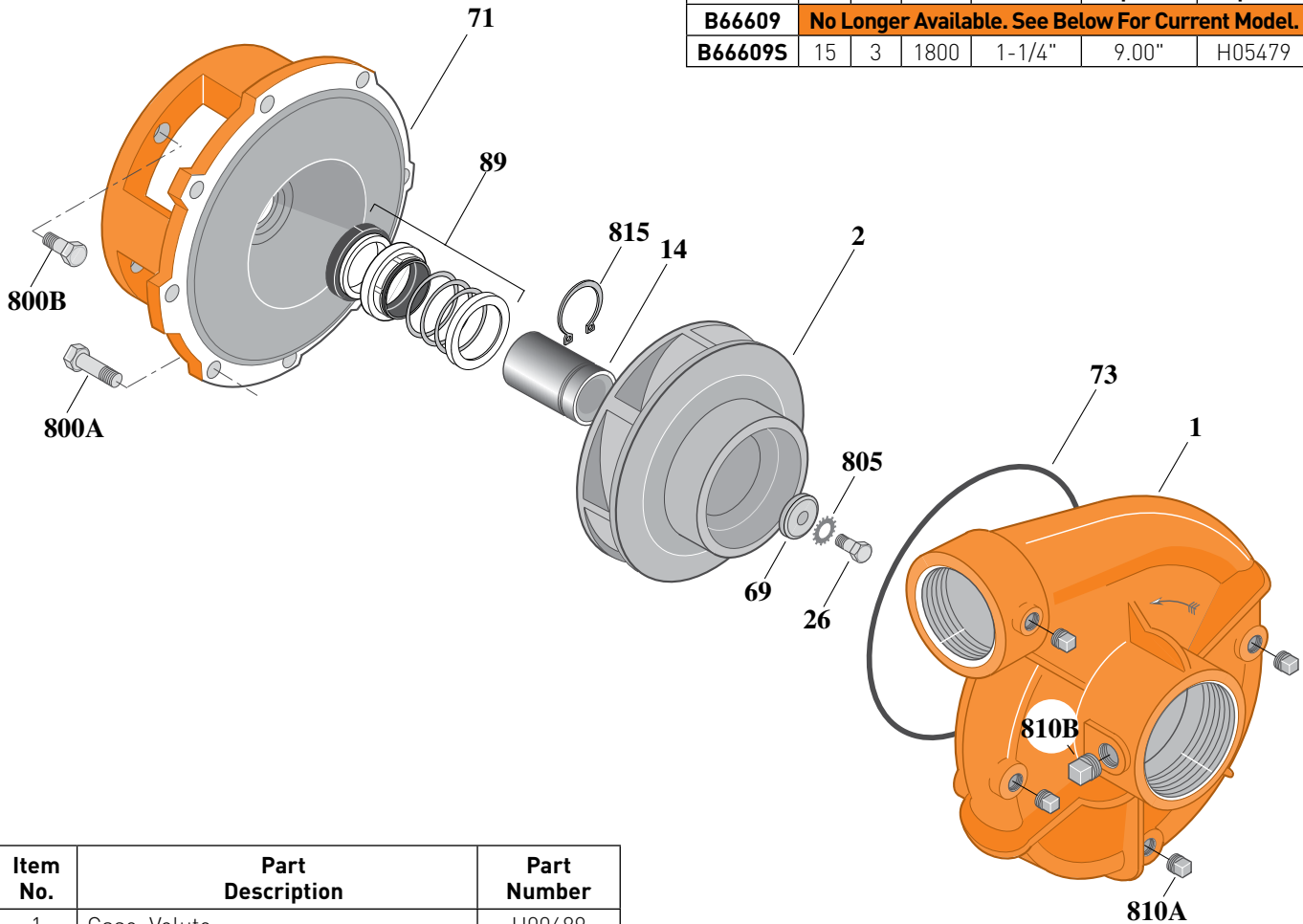
Threaded Case (NPT), Mechanical Shaft Seal Construction

ELECTRIC MOTOR DRIVE

Section	CC
Page	190.14
Date	March 4, 2013
Supersedes 07/01/11	

Table I

B/M No.	HP	PH	RPM	"U" Dim.	Imp. Dia.	Imp. No.
B66609	No Longer Available. See Below For Current Model.					
B66609S	15	3	1800	1-1/4"	9.00"	H05479



1612 1210

Item No.	Part Description	Part Number
1	Case, Volute	H00689
2	Impeller	See Table I
14	Sleeve, Shaft	S18869L
26	Screw, Impeller 1/2 - 13 x 1"	S23619
32	Key, 1/4 x 2-1/4" [See Note 1]	S23677
69	Washer, Impeller	S06319
71	Bracket	See Table II
73	O-Ring [See Note 2]	M14943
89	Seal, Mechanical Shaft	S32015
800A	Capscrew, 3/8 - 16 x 1" [8 Req.]	S26826
800B	Capscrew, 1/2 - 13 x 1" [4 Req.]	S26912
805	Washer, Lock	S23038
810A	Plug, Pipe 1/4 NPT [4 Req.]	S23715
810B	Plug, Pipe 1/2 NPT	S23717
815	Ring, Retaining	S16767

Table II

HP	PH	Bracket No.	"AK" Fit	"U" Dim.	Motor Frame
15	3	L04615	8-1/2"	1-1/4"	254JM

NOTE 1: For an explanation of the tabulated material found on this page and for impeller key location, refer to **Supplement A** located at the beginning of this section.

NOTE 2: Also accepts gasket **S05126** as replacement for O-Ring. See **Supplement E** located at the beginning of this section.



BERKELEY® B3ZPMS

Bronze Impeller

Flanged Case, Mechanical Shaft Seal Construction

ELECTRIC MOTOR DRIVE

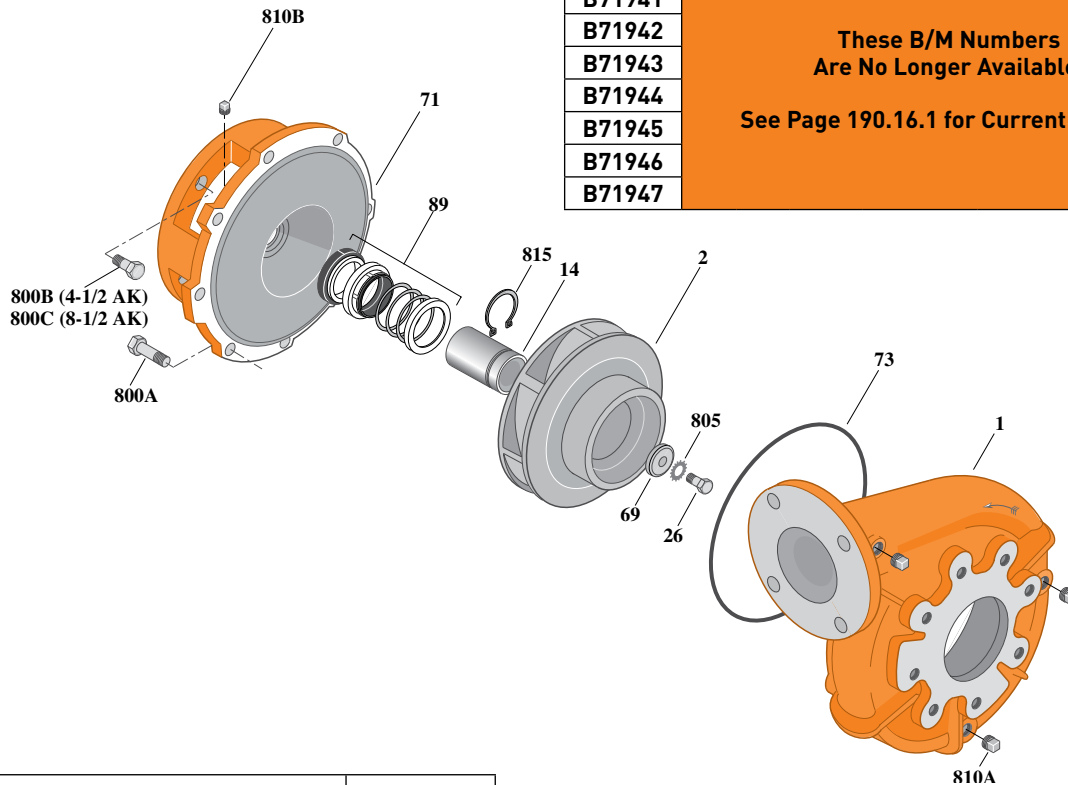
Section	CC
Page	190.15
Date	March 4, 2013
Supersedes 07/01/11	

Table I

B/M No.	HP	PH	RPM	"U" Dim.	Imp. Dia.	Imp. No.
B71940						
B71941						
B71942						
B71943						
B71944						
B71945						
B71946						
B71947						

**These B/M Numbers
Are No Longer Available.**

See Page 190.16.1 for Current Models.



Item No.	Part Description	Part Number
1	Case, Volute	H05130
2	Impeller	See Table I
14	Sleeve, Shaft	S19310L
26	Screw, Impeller 3/8 - 16 x 1"	S23566
32	Key, 3/16 x 1-1/4" [See Note 1]	S34383
69	Washer, Impeller	S06314
71	Bracket	See Table II
73	O-Ring [See Note 2]	M14943
89	Seal, Mechanical Shaft	S32014
800A	Capscrew, 3/8 - 16 x 1" [12 Req.] [4-1/2 AK] [Use for Motor and Volute]	S26826
800A	Capscrew, 3/8 - 16 x 1" [8 Req.] [8-1/2 AK] [Use for Volute Only]	S26826
800B	Capscrew, 1/2 - 13 x 1" [4 Req.]	S26912
805	Washer, Lock	S23036
810	Plug, Pipe 1/4 NPT [3 Req.]	S23715
815	Ring, Retaining	S11207

Table II

HP	PH	Bracket No.	"AK" Fit	"U" Dim.	Motor Frame
3	1	L05332	4-1/2"	7/8"	184JM
3	3	L05332	4-1/2"	7/8"	182JM
5	1	L05331	8-1/2"	7/8"	213JM
5	3	L05332	4-1/2"	7/8"	184JM
7.5	1	L05331	8-1/2"	7/8"	215JM
7.5	3	L05331	8-1/2"	7/8"	213JM
10	1	L05331	8-1/2"	7/8"	215JM
10	3	L05331	8-1/2"	7/8"	215JM

NOTE 1: For an explanation of the tabulated material found on this page and for impeller key location, refer to **Supplement A** located at the beginning of this section.

NOTE 2: Also accepts gasket **S05126** as replacement for O-Ring. See **Supplement E** located at the beginning of this section.



BERKELEY® B3ZPMS Silicon Bronze Impeller

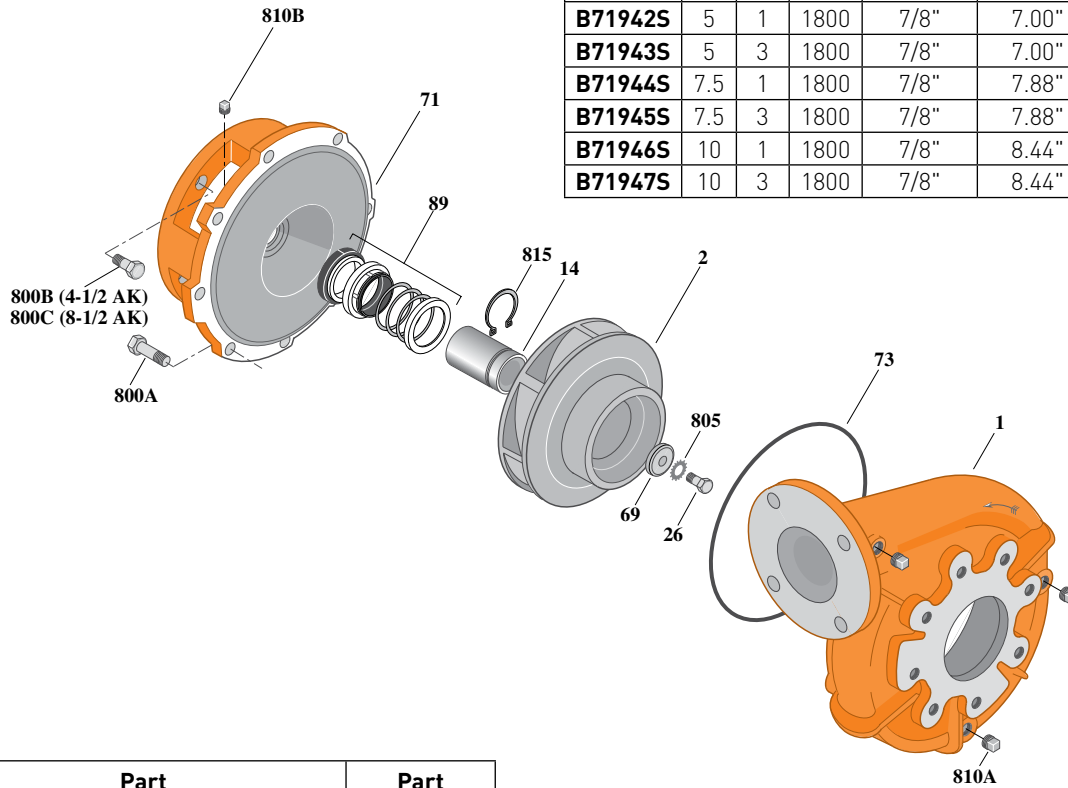
Flanged Case, Mechanical Shaft Seal Construction

ELECTRIC MOTOR DRIVE

Section	CC
Page	190.16.1
Date	March 4, 2013
Supersedes 07/01/11	

Table I

B/M No.	HP	PH	RPM	"U" Dim.	Imp. Dia.	Imp. No.
B71940S	3	1	1800	7/8"	6.06"	H05480
B71941S	3	3	1800	7/8"	6.06"	H05480
B71942S	5	1	1800	7/8"	7.00"	H05481
B71943S	5	3	1800	7/8"	7.00"	H05481
B71944S	7.5	1	1800	7/8"	7.88"	H05482
B71945S	7.5	3	1800	7/8"	7.88"	H05482
B71946S	10	1	1800	7/8"	8.44"	H05483
B71947S	10	3	1800	7/8"	8.44"	H05483



Item No.	Part Description	Part Number
1	Case, Volute	H05130
2	Impeller	See Table I
14	Sleeve, Shaft	S19310L
26	Screw, Impeller 3/8 - 16 x 1"	S23566
32	Key, 3/16 x 1-1/4" [See Note 1]	S34383
69	Washer, Impeller	S06314
71	Bracket	See Table II
73	O-Ring [See Note 2]	M14943
89	Seal, Mechanical Shaft	S32014
800A	Cap screw, 3/8 - 16 x 1" [12 Req.] [4-1/2 AK] [Use for Motor and Volute]	S26826
800A	Cap screw, 3/8 - 16 x 1" [8 Req.] [8-1/2 AK] [Use for Volute Only]	S26826
800B	Cap screw, 1/2 - 13 x 1" [4 Req.]	S26912
805	Washer, Lock	S23036
810	Plug, Pipe 1/4 NPT [3 Req.]	S23715
815	Ring, Retaining	S11207

Table II

HP	PH	Bracket No.	"AK" Fit	"U" Dim.	Motor Frame
3	1	L05332	4-1/2"	7/8"	184JM
3	3	L05332	4-1/2"	7/8"	182JM
5	1	L05331	8-1/2"	7/8"	213JM
5	3	L05332	4-1/2"	7/8"	184JM
7.5	1	L05331	8-1/2"	7/8"	215JM
7.5	3	L05331	8-1/2"	7/8"	213JM
10	1	L05331	8-1/2"	7/8"	215JM
10	3	L05331	8-1/2"	7/8"	215JM

NOTE 1: For an explanation of the tabulated material found on this page and for impeller key location, refer to **Supplement A** located at the beginning of this section.

NOTE 2: Also accepts gasket **S05126** as replacement for O-Ring. See **Supplement E** located at the beginning of this section.



BERKELEY® B3ZPMS Silicon Bronze Impeller

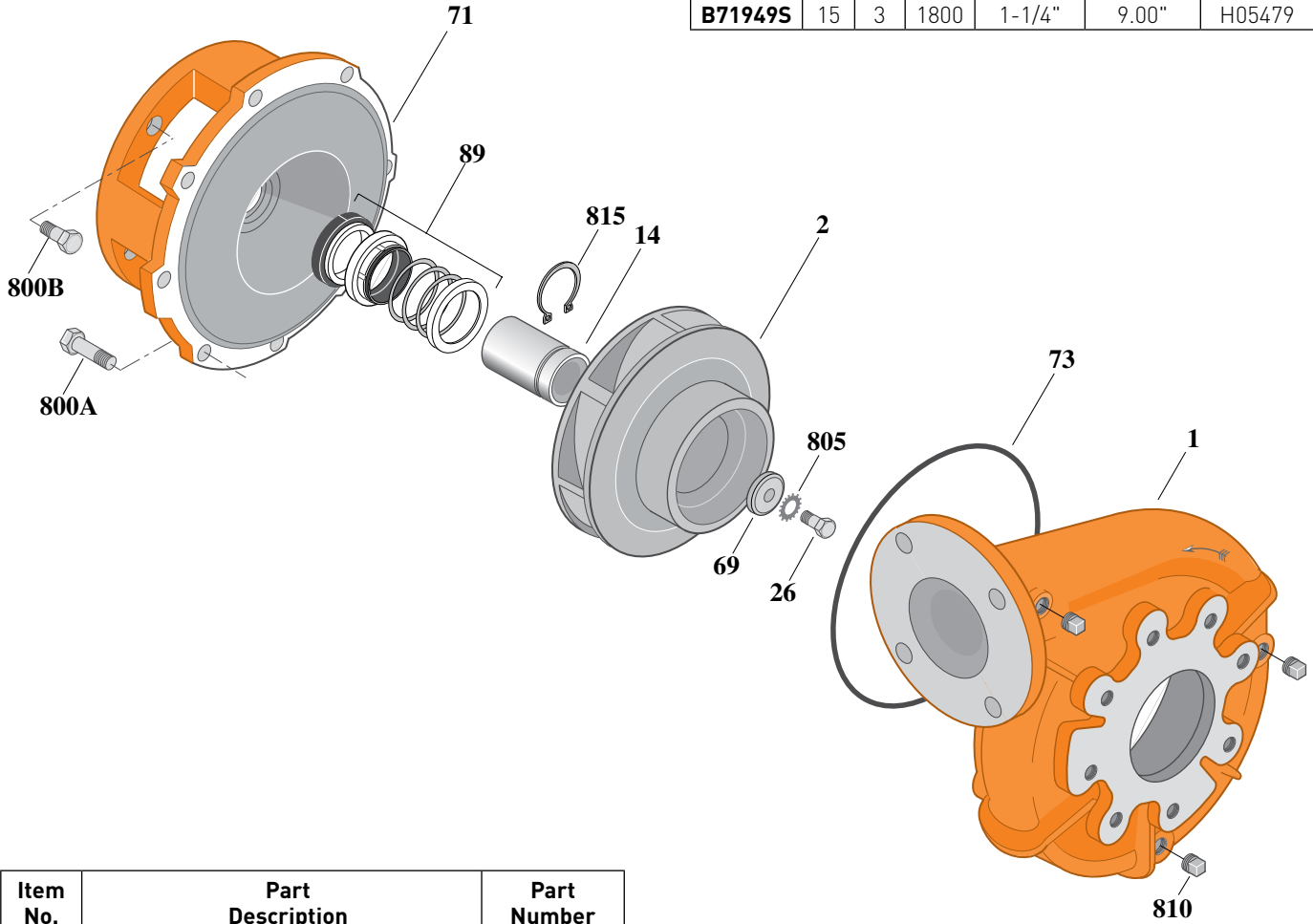
Flanged Case, Mechanical Shaft Seal Construction

ELECTRIC MOTOR DRIVE

Section	CC
Page	190.16.2
Date	March 4, 2013
Supersedes 07/01/11	

Table I

B/M No.	HP	PH	RPM	"U" Dim.	Imp. Dia.	Imp. No.
B71949S	15	3	1800	1-1/4"	9.00"	H05479



1614 0195

Item No.	Part Description	Part Number
1	Case, Volute	H05130
2	Impeller	See Table I
14	Sleeve, Shaft	S18869L
26	Screw, Impeller 1/2 - 13 x 1"	S23619
32	Key, 1/4 x 2-1/4" [See Note 1]	S23677
69	Washer, Impeller	S06319
71	Bracket	See Table II
73	O-Ring [See Note 2]	M14943
89	Seal, Mechanical Shaft	S32015
800A	Cap screw, 3/8 - 16 x 1" [8 Req.]	S26826
800B	Cap screw, 1/2 - 13 x 1" [4 Req.]	S26912
805	Washer, Lock	S23038
810	Plug, Pipe 1/4 NPT [3 Req.]	S23715
815	Ring, Retaining	S16767

Table II

HP	PH	Bracket No.	"AK" Fit	"U" Dim.	Motor Frame
15	3	L04615	8-1/2"	1-1/4"	254JM

NOTE 1: For an explanation of the tabulated material found on this page and for impeller key location, refer to **Supplement A** located at the beginning of this section.

NOTE 2: Also accepts gasket **S05126** as replacement for O-Ring. See **Supplement E** located at the beginning of this section.



BERKELEY® B3ZPMS

Bronze Impeller

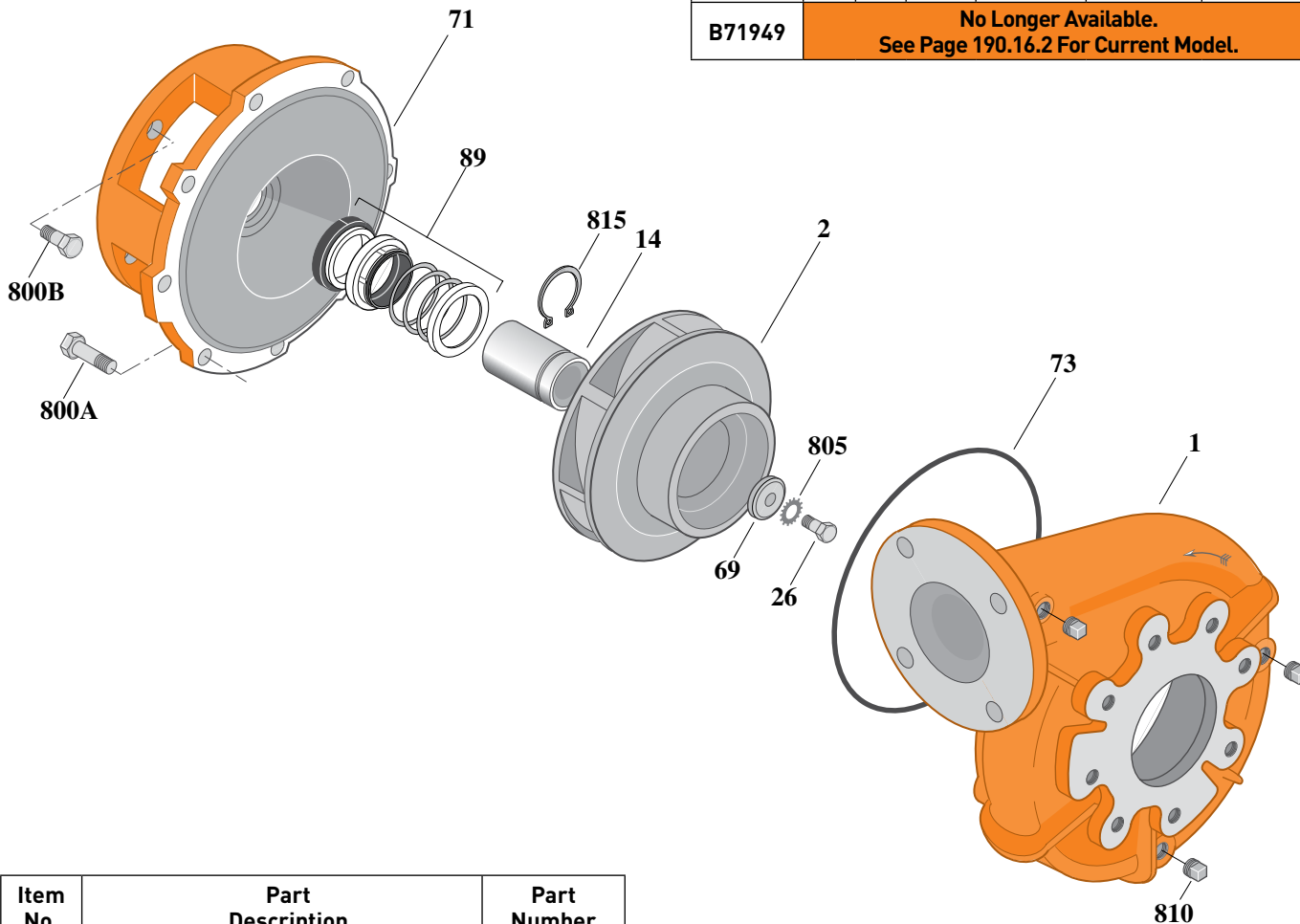
Flanged Case, Mechanical Shaft Seal Construction

ELECTRIC MOTOR DRIVE

Section	CC
Page	190.16
Date	March 4, 2013
Supersedes 07/01/11	

Table I

B/M No.	HP	PH	RPM	"U" Dim.	Imp. Dia.	Imp. No.
B71949	No Longer Available. See Page 190.16.2 For Current Model.					



1614 0195

Item No.	Part Description	Part Number
1	Case, Volute	H05130
2	Impeller	See Table I
14	Sleeve, Shaft	S18869L
26	Screw, Impeller 1/2 - 13 x 1"	S23619
32	Key, 1/4 x 2-1/4" [See Note 1]	S23677
69	Washer, Impeller	S06319
71	Bracket	See Table II
73	O-Ring [See Note 2]	M14943
89	Seal, Mechanical Shaft	S32015
800A	Capscrew, 3/8 - 16 x 1" [8 Req.]	S26826
800B	Capscrew, 1/2 - 13 x 1" [4 Req.]	S26912
805	Washer, Lock	S23038
810	Plug, Pipe 1/4 NPT [3 Req.]	S23715
815	Ring, Retaining	S16767

Table II

HP	PH	Bracket No.	"AK" Fit	"U" Dim.	Motor Frame
15	3	L04615	8-1/2"	1-1/4"	254JM

NOTE 1: For an explanation of the tabulated material found on this page and for impeller key location, refer to **Supplement A** located at the beginning of this section.

NOTE 2: Also accepts gasket **S05126** as replacement for O-Ring. See **Supplement E** located at the beginning of this section.



BERKELEY® B3ZPM

Silicon Bronze Impeller

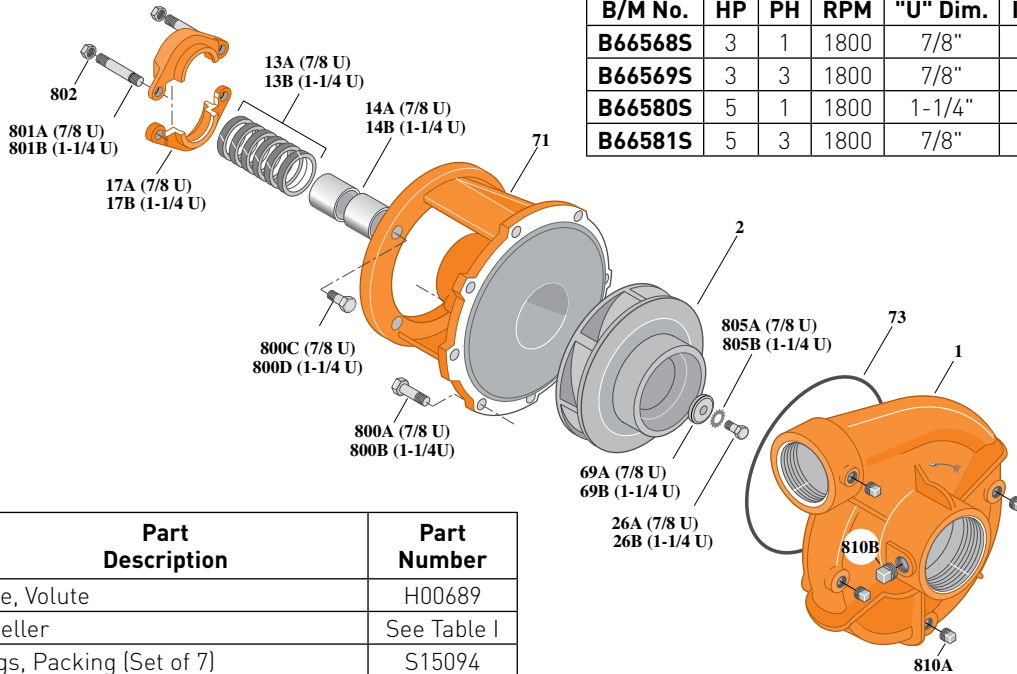
Threaded Case (NPT), Packing Construction

ELECTRIC MOTOR DRIVE

Section	CC
Page	190.17
Date	March 4, 2013
Supersedes 07/01/11	

Table I

B/M No.	HP	PH	RPM	"U" Dim.	Imp. Dia.	Imp. No.
B66568S	3	1	1800	7/8"	6.06"	H05480
B66569S	3	3	1800	7/8"	6.06"	H05480
B66580S	5	1	1800	1-1/4"	7.00"	H05478
B66581S	5	3	1800	7/8"	7.00"	H05481



Item No.	Part Description	Part Number
1	Case, Volute	H00689
2	Impeller	See Table I
13A	Rings, Packing [Set of 7]	S15094
13B	Rings, Packing [Set of 6]	S13470
14A	Sleeve, Shaft [2 Req.]	S00619L
14B	Sleeve, Shaft	S05149L
17A	Gland, Packing	B82469
17B	Gland, Packing	B82470
26A	Screw, Impeller 3/8 - 16 x 1"	S23566
26B	Screw, Impeller 1/2 - 13 x 1"	S23619
32A	Key, 3/16 x 1-1/4" [See Note 1]	S34383
32B	Key, 1/4 x 2-1/4" [See Note 1]	S23677
69A	Washer, Impeller	S06314
69B	Washer, Impeller	S06319
71	Bracket	See Table II
73	O-Ring [See Note 2]	M14943
800A	Capscrew, 3/8 - 16 x 1" [8 Req.]	S26826
800B	Capscrew, 3/8 - 16 x 1-1/8" [8 Req.]	S26827
800C	Capscrew, 3/8 - 16 x 1" [4 Req.]	S26826
800D	Capscrew, 1/2 - 13 x 1-1/2" [4 Req.]	S26916
801A	Stud, 3/8 - 16 x 3" [2 Req.]	S04439
801B	Stud, 3/8 - 16 x 4" [2 Req.]	S08303
802	Nut, Hex 3/8 - 16 [2 Req.]	S23343
805A	Washer, Lock	S23036
805B	Washer, Lock	S23038
810A	Plug, Pipe 1/4" NPT [4 Req.]	S23715
810B	Plug, Pipe 1/2" NPT	S23717

Table II

HP	PH	Bracket No.	"AK" Fit	"U" Dim.	Motor Frame
3	1	H00950	4-1/2"	7/8"	184JP
3	3	H00950	4-1/2"	7/8"	182JP
5	1	L03827	8-1/2"	1-1/4"	213JP
5	3	H00950	4-1/2"	7/8"	184JP

NOTE 1: For an explanation of the tabulated material found on this page and for impeller key location, refer to **Supplement A** located at the beginning of this section.

NOTE 2: Also accepts gasket **S05126** as replacement for O-Ring. See **Supplement E** located at the beginning of this section.



BERKELEY® B3ZPM

Silicon Bronze Impeller

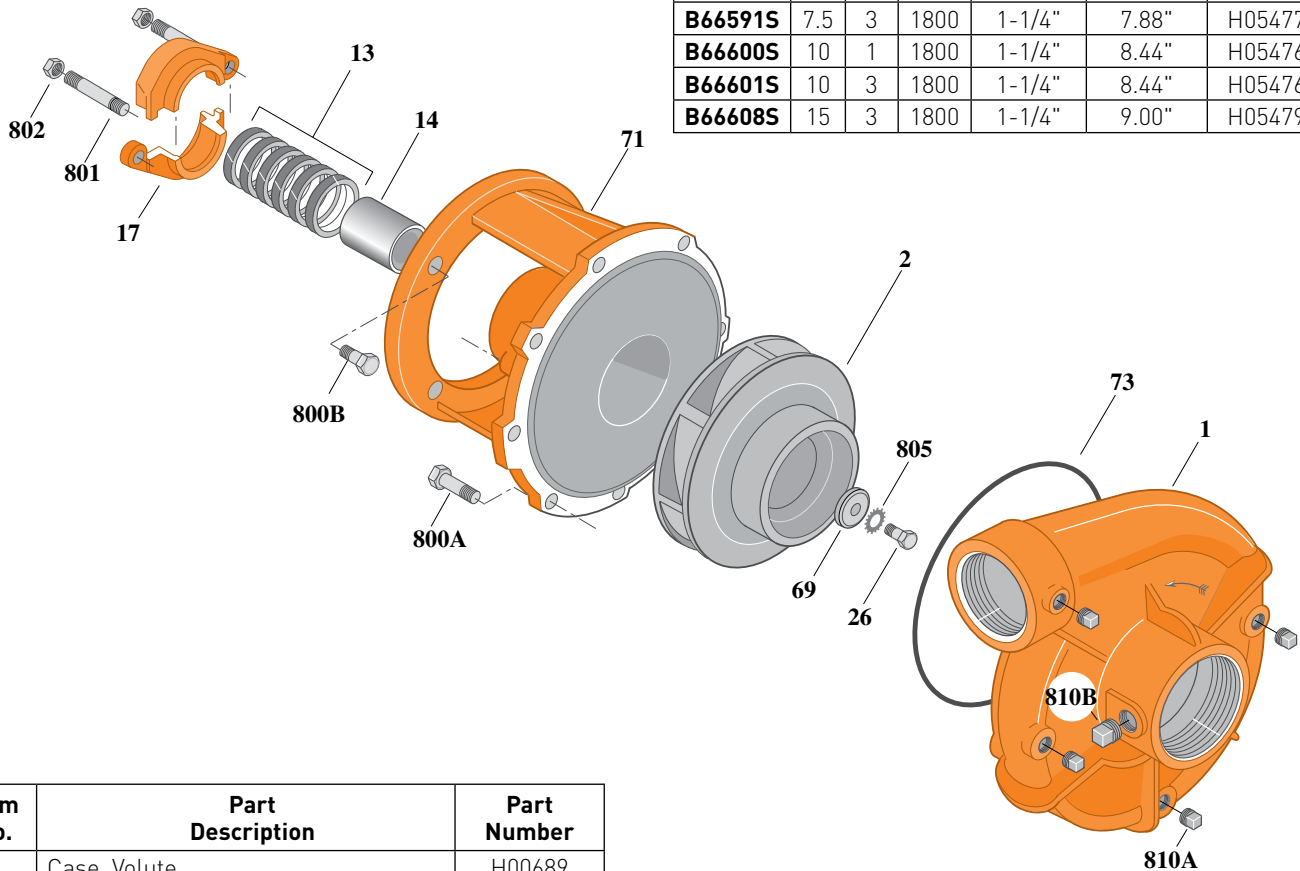
Threaded Case (NPT), Packing Construction

ELECTRIC MOTOR DRIVE

Section	CC
Page	190.18
Date	March 4, 2013
Supersedes 07/01/11	

Table I

B/M No.	HP	PH	RPM	"U" Dim.	Imp. Dia.	Imp. No.
B66590S	7.5	1	1800	1-1/4"	7.88"	H05477
B66591S	7.5	3	1800	1-1/4"	7.88"	H05477
B66600S	10	1	1800	1-1/4"	8.44"	H05476
B66601S	10	3	1800	1-1/4"	8.44"	H05476
B66608S	15	3	1800	1-1/4"	9.00"	H05479



Item No.	Part Description	Part Number
1	Case, Volute	H00689
2	Impeller	See Table I
13	Rings, Packing (Set of 6)	S13470
14	Sleeve, Shaft	S05149L
17	Gland, Packing	B82470
26	Screw, Impeller 1/2 - 13 x 1"	S23619
32	Key, 1/4 x 2-1/4" [See Note 1]	S23677
69	Washer, Impeller	S06319
71	Bracket	See Table II
73	O-Ring [See Note 2]	M14943
800A	Capscrew, 3/8 - 16 x 1" [8 Req.]	S26826
800B	Capscrew, 1/2 - 13 x 1-1/2" [4 Req.]	S26916
801	Stud, 3/8 - 16 x 4" [2 Req.]	S08303
802	Nut, Hex 3/8 - 16 [2 Req.]	S23343
805	Washer, Lock	S23038
810A	Plug, Pipe 1/4" NPT [4 Req.]	S23715
810B	Plug, Pipe 1/2" NPT	S23717

Table II

HP	PH	Bracket No.	"AK" Fit	"U" Dim.	Motor Frame
7.5	1	L03827	8-1/2"	1-1/4"	215JP
7.5	3	L03827	8-1/2"	1-1/4"	213JP
10	1	L03827	8-1/2"	1-1/4"	215JP
10	3	L03827	8-1/2"	1-1/4"	215JP
15	3	L03827	8-1/2"	1-1/4"	254JP

NOTE 1: For an explanation of the tabulated material found on this page and for impeller key location, refer to **Supplement A** located at the beginning of this section.

NOTE 2: Also accepts gasket **S05126** as replacement for O-Ring. See **Supplement E** located at the beginning of this section.



BERKELEY® B3ZPM

Silicon Bronze Impeller

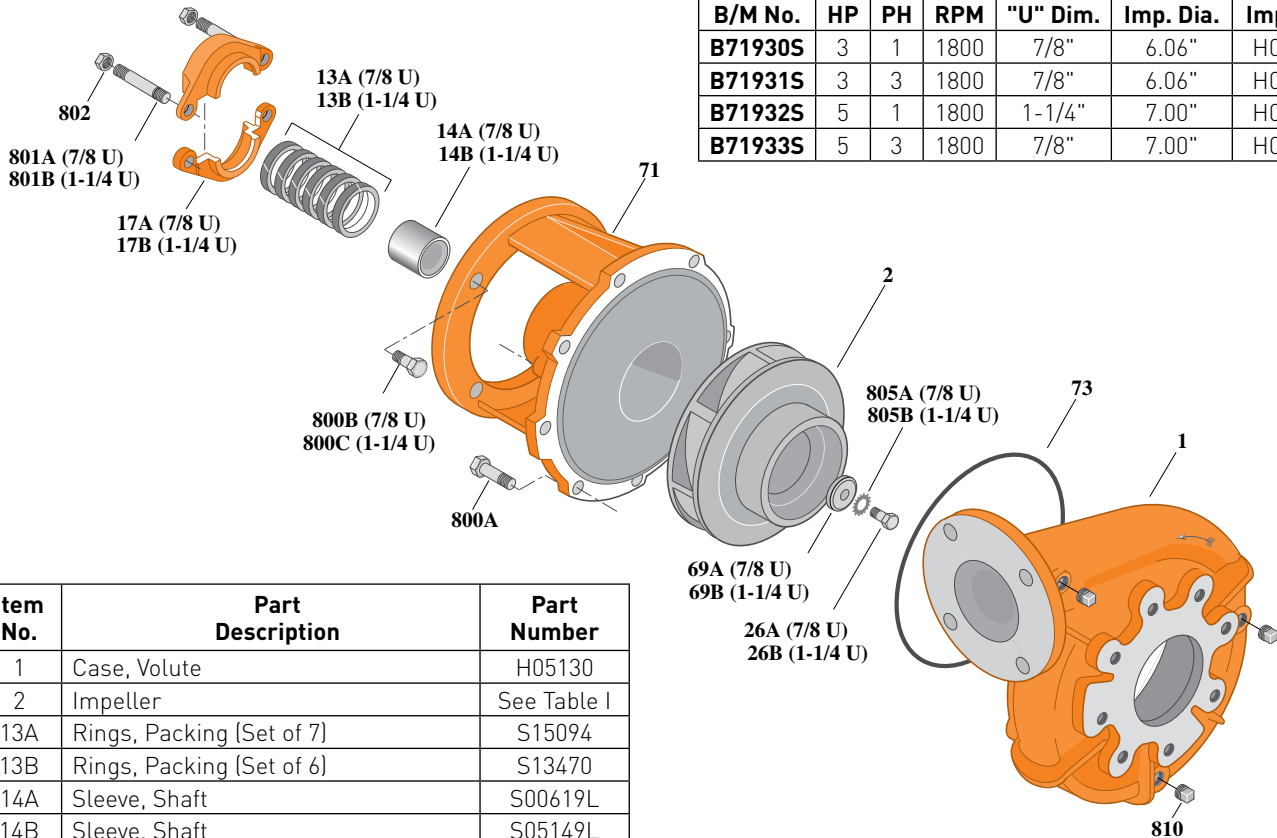
Flanged Case, Packing Construction

ELECTRIC MOTOR DRIVE

Section	CC
Page	190.19
Date	March 4, 2013
Supersedes 07/01/11	

Table I

B/M No.	HP	PH	RPM	"U" Dim.	Imp. Dia.	Imp. No.
B71930S	3	1	1800	7/8"	6.06"	H05480
B71931S	3	3	1800	7/8"	6.06"	H05480
B71932S	5	1	1800	1-1/4"	7.00"	H05478
B71933S	5	3	1800	7/8"	7.00"	H05481



Item No.	Part Description	Part Number
1	Case, Volute	H05130
2	Impeller	See Table I
13A	Rings, Packing [Set of 7]	S15094
13B	Rings, Packing [Set of 6]	S13470
14A	Sleeve, Shaft	S00619L
14B	Sleeve, Shaft	S05149L
17A	Gland, Packing	B82469
17B	Gland, Packing	B82470
26A	Screw, Impeller 3/8 - 16 x 1"	S23566
26B	Screw, Impeller 1/2 - 13 x 1"	S23619
32A	Key, 3/16 x 1-1/4" [See Note 1]	S34383
32B	Key, 1/4 x 2-1/4" [See Note 1]	S23677
69A	Washer, Impeller	S06314
69B	Washer, Impeller	S06319
71	Bracket	See Table II
73	O-Ring [See Note 2]	M14943
800A	Capscrew, 3/8 - 16 x 1" [8 Req.]	S26826
800B	Capscrew, 3/8 - 16 x 1" [4 Req.]	S26826
800C	Capscrew, 1/2 - 13 x 1-1/2" [4 Req.]	S26916
801A	Stud, 3/8 - 16 x 3" [2 Req.]	S04439
801B	Stud, 3/8 - 16 x 4" [2 Req.]	S08303
802	Nut, Hex 3/8 - 16 [2 Req.]	S23343
805A	Washer, Lock	S23036
805B	Washer, Lock	S23038
810	Plug, Pipe 1/4" NPT [3 Req.]	S23715

Table II

HP	PH	Bracket No.	"AK" Fit	"U" Dim.	Motor Frame
3	1	H00950	4-1/2"	7/8"	184JP
3	3	H00950	4-1/2"	7/8"	182JP
5	1	L03827	8-1/2"	1-1/4"	213JP
5	3	H00950	4-1/2"	7/8"	184JP

NOTE 1: For an explanation of the tabulated material found on this page and for impeller key location, refer to **Supplement A** located at the beginning of this section.

NOTE 2: Also accepts gasket **S05126** as replacement for O-Ring. See **Supplement E** located at the beginning of this section.



BERKELEY® B3ZPM

Silicon Bronze Impeller

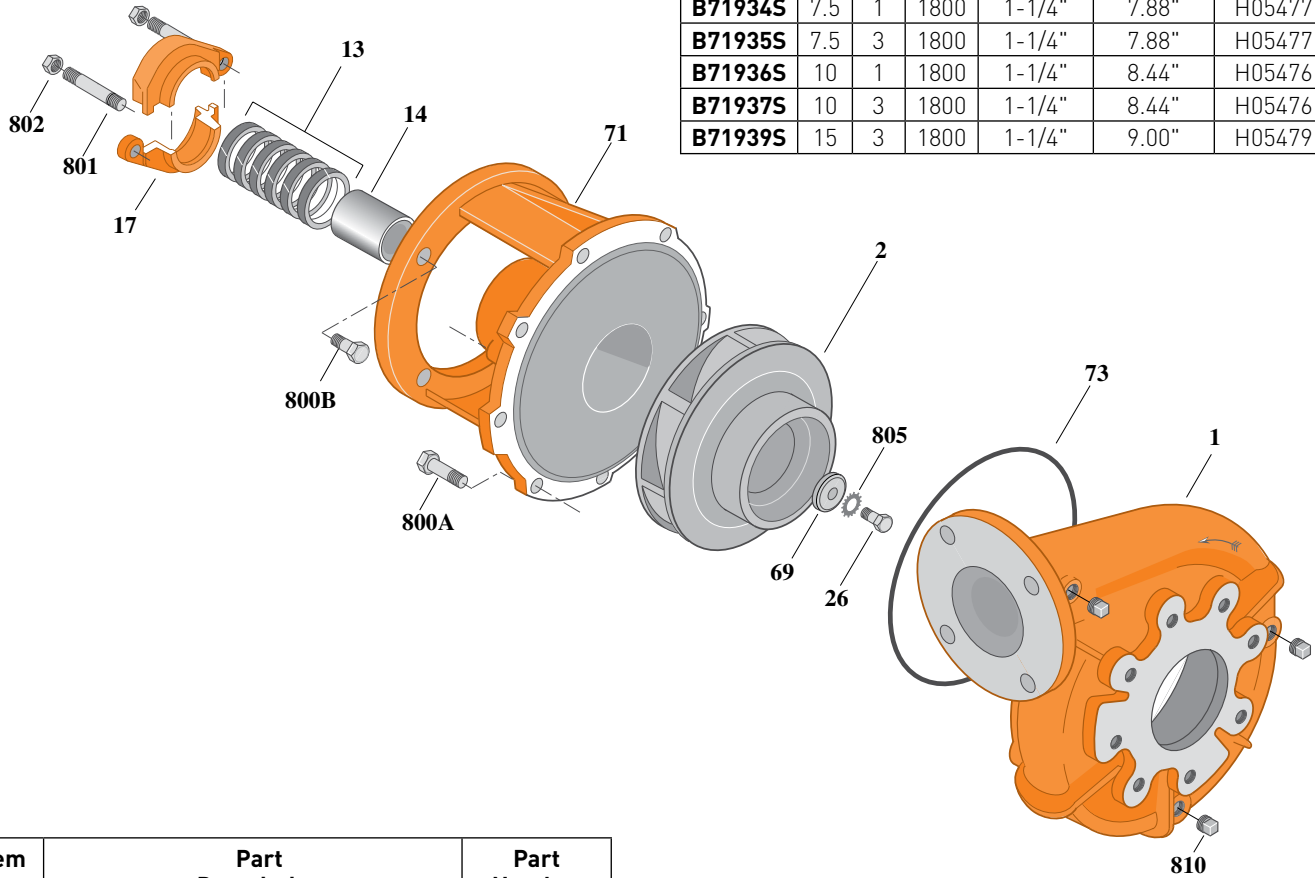
Flanged Case, Packing Construction

ELECTRIC MOTOR DRIVE

Section	CC
Page	190.20
Date	March 4, 2013
Supersedes 07/01/11	

Table I

B/M No.	HP	PH	RPM	"U" Dim.	Imp. Dia.	Imp. No.
B71934S	7.5	1	1800	1-1/4"	7.88"	H05477
B71935S	7.5	3	1800	1-1/4"	7.88"	H05477
B71936S	10	1	1800	1-1/4"	8.44"	H05476
B71937S	10	3	1800	1-1/4"	8.44"	H05476
B71939S	15	3	1800	1-1/4"	9.00"	H05479



Item No.	Part Description	Part Number
1	Case, Volute	H05130
2	Impeller	See Table I
13	Rings, Packing (Set of 6)	S13470
14	Sleeve, Shaft	S05149L
17	Gland, Packing	B82470
26	Screw, Impeller 1/2 - 13 x 1"	S23619
32	Key, 1/4 x 2-1/4" [See Note 1]	S23677
69	Washer, Impeller	S06319
71	Bracket	See Table II
73	O-Ring [See Note 2]	M14943
800A	Capscrew, 3/8 - 16 x 1" [8 Req.]	S26826
800B	Capscrew, 1/2 - 13 x 1-1/2" [4 Req.]	S26916
801	Stud, 3/8 - 16 x 4" [2 Req.]	S08303
802	Nut, Hex 3/8 - 16 [2 Req.]	S23343
805	Washer, Lock	S23038
810	Plug, Pipe 1/4" NPT [3 Req.]	S23715

Table II

HP	PH	Bracket No.	"AK" Fit	"U" Dim.	Motor Frame
7.5	1	L03827	8-1/2"	1-1/4"	215JP
7.5	3	L03827	8-1/2"	1-1/4"	213JP
10	1	L03827	8-1/2"	1-1/4"	215JP
10	3	L03827	8-1/2"	1-1/4"	215JP
15	3	L03827	8-1/2"	1-1/4"	254JP

NOTE 1: For an explanation of the tabulated material found on this page and for impeller key location, refer to **Supplement A** located at the beginning of this section.

NOTE 2: Also accepts gasket **S05126** as replacement for O-Ring. See **Supplement E** located at the beginning of this section.



BERKELEY® B3ZPMS Silicon Bronze Impeller

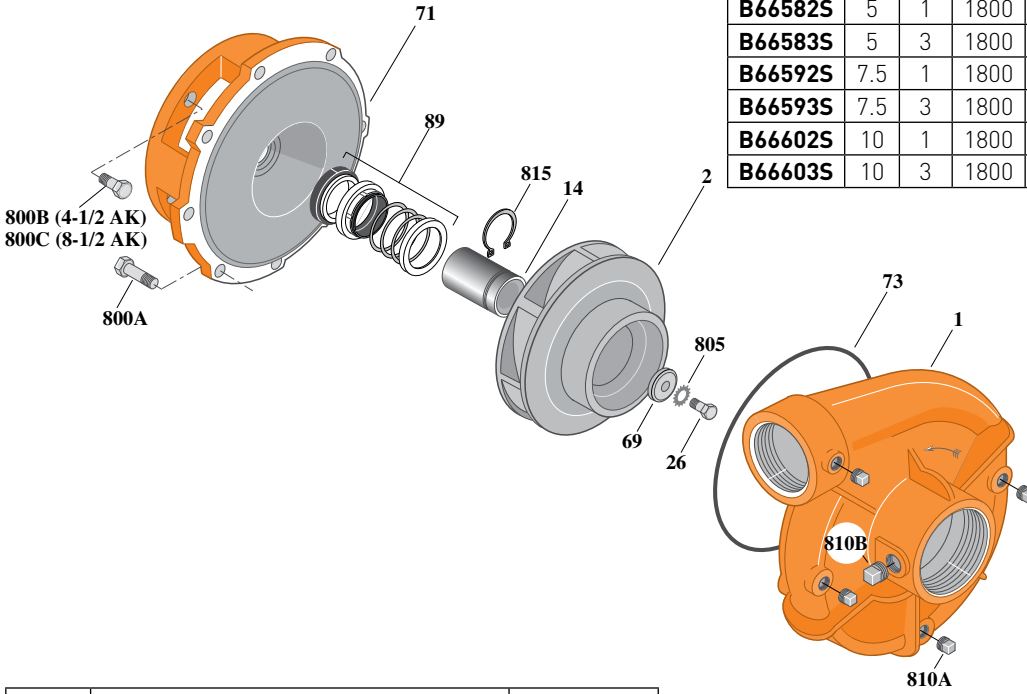
Threaded Case (NPT), Mechanical Shaft Seal Construction

ELECTRIC MOTOR DRIVE

Section	CC
Page	190.21
Date	March 4, 2013
Supersedes 07/01/11	

Table I

B/M No.	HP	PH	RPM	"U" Dim.	Imp. Dia.	Imp. No.
B66570S	3	1	1800	7/8"	6.06"	H05480
B66571S	3	3	1800	7/8"	6.06"	H05480
B66582S	5	1	1800	7/8"	7.00"	H05481
B66583S	5	3	1800	7/8"	7.00"	H05481
B66592S	7.5	1	1800	7/8"	7.88"	H05482
B66593S	7.5	3	1800	7/8"	7.88"	H05482
B66602S	10	1	1800	7/8"	8.44"	H05483
B66603S	10	3	1800	7/8"	8.44"	H05483



1611 1210

Item No.	Part Description	Part Number
1	Case, Volute	H00689
2	Impeller	See Table I
14	Sleeve, Shaft	S19310L
26	Screw, Impeller 3/8 - 16 x 1"	S23566
32	Key, 3/16 x 1-1/4" [See Note 1]	S34383
69	Washer, Impeller	S06314
71	Bracket	See Table II
73	O-Ring [See Note 3]	M14943
89	Seal, Mechanical Shaft	S32014
800A	Capscrew, 3/8 - 16 x 1" [8 Req.]	S26826
800B	Capscrew, 3/8 - 16 x 1" [4 Req.]	S26826
800C	Capscrew, 1/2 - 13 x 1" [4 Req.]	S26912
805	Washer, Lock	S23036
810A	Plug, Pipe 1/4" NPT [4 Req.]	S23715
810B	Plug, Pipe 1/2" NPT	S23717
815	Ring, Retaining	S11207
•	Plug, Pipe 1/8" NPT (In Bracket)	S23714

• Not illustrated.

Table II

HP	PH	Bracket No.	"AK" Fit	"U" Dim.	Motor Frame
3	1	L05332	4-1/2"	7/8"	184JM
3	3	L05332	4-1/2"	7/8"	182JM
5	1	L05331	8-1/2"	7/8"	213JM
5	3	L05332	4-1/2"	7/8"	184JM
7.5	1	L05331	8-1/2"	7/8"	215JM
7.5	3	L05331	8-1/2"	7/8"	213JM
10	1	L05331	8-1/2"	7/8"	215JM
10	3	L05331	8-1/2"	7/8"	215JM

NOTE 1: For an explanation of the tabulated material found on this page and for impeller key location, refer to **Supplement A** located at the beginning of this section.

NOTE 2: For seal flush line details, see **Supplement D**.

NOTE 3: Also accepts gasket **S05126** as replacement for O-Ring. See **Supplement E** located at the beginning of this section.



BERKELEY® B3ZPMS Silicon Bronze Impeller

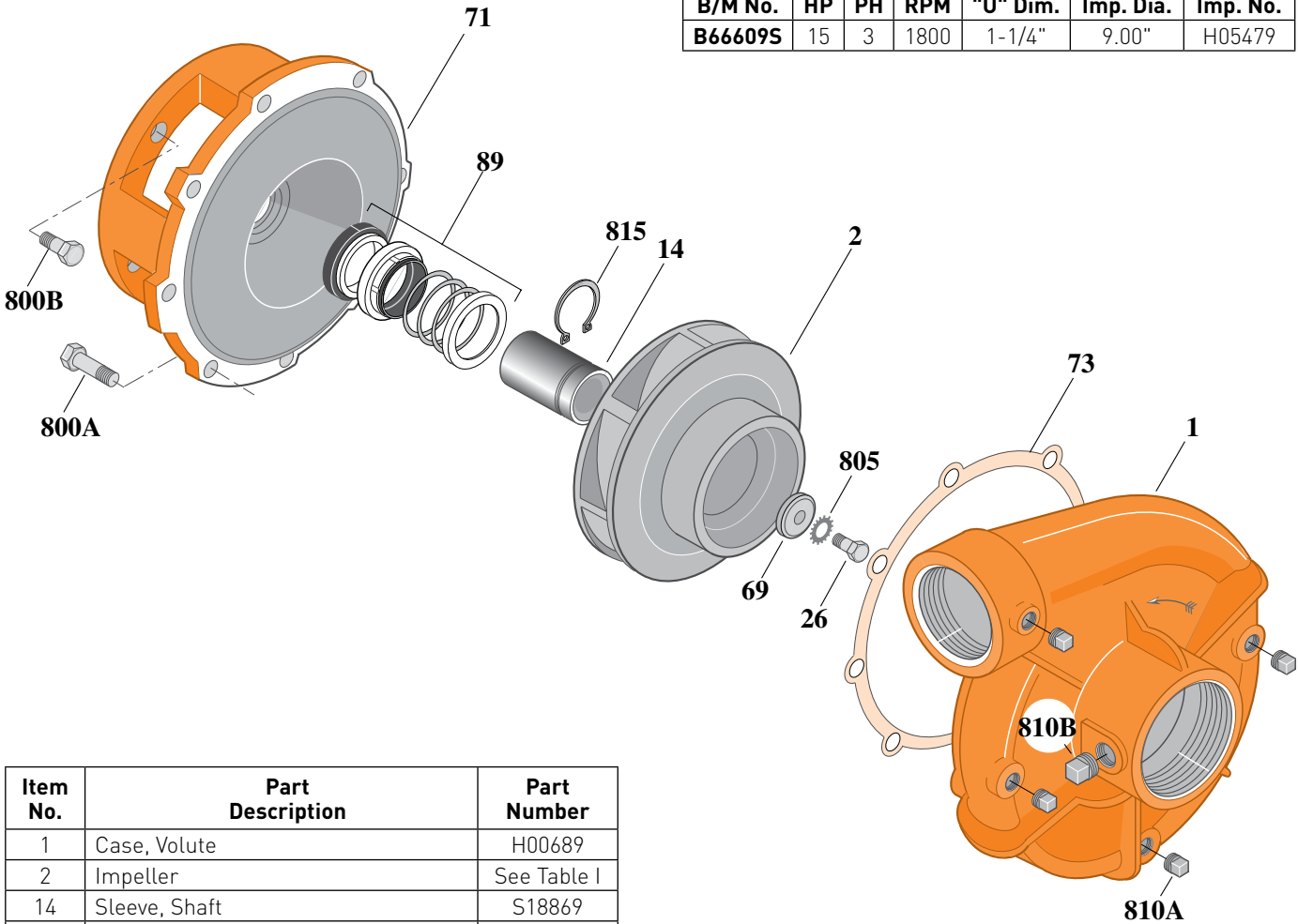
Threaded Case (NPT), Mechanical Shaft Seal Construction

ELECTRIC MOTOR DRIVE

Section	CC
Page	190.22
Date	March 4, 2013
Supersedes 09/01/97	

Table I

B/M No.	HP	PH	RPM	"U" Dim.	Imp. Dia.	Imp. No.
B66609S	15	3	1800	1-1/4"	9.00"	H05479



1612 0195

Item No.	Part Description	Part Number
1	Case, Volute	H00689
2	Impeller	See Table I
14	Sleeve, Shaft	S18869
26	Screw, Impeller 1/2 - 13 x 1"	S23619
32	Key, 1/4 x 2-1/4" (See Note)	S23677
69	Washer, Impeller	S06319
71	Bracket	See Table II
73	Gasket, Volute	S05126
89	Seal, Mechanical Shaft	S32015
800A	Capscrew, 3/8 - 16 x 1" (8 Req.)	S26826
800B	Capscrew, 1/2 - 13 x 1" (4 Req.)	S26912
805	Washer, Lock	S23038
810A	Plug, Pipe 1/4" NPT (4 Req.)	S23715
810B	Plug, Pipe 1/2" NPT	S23717
815	Ring, Retaining	S16767
•	Plug, Pipe 1/8" NPT (In Bracket)	S23714

• Not illustrated.

Table II

HP	PH	Bracket No.	"AK" Fit	"U" Dim.	Motor Frame
15	3	L04615	8-1/2"	1-1/4"	254JM

NOTE 1: For an explanation of the tabulated material found on this page and for impeller key location, refer to **Supplement A** located at the beginning of this section.

NOTE 2: For seal flush line details, see **Supplement D**.



BERKELEY® B3ZPMS Silicon Bronze Impeller

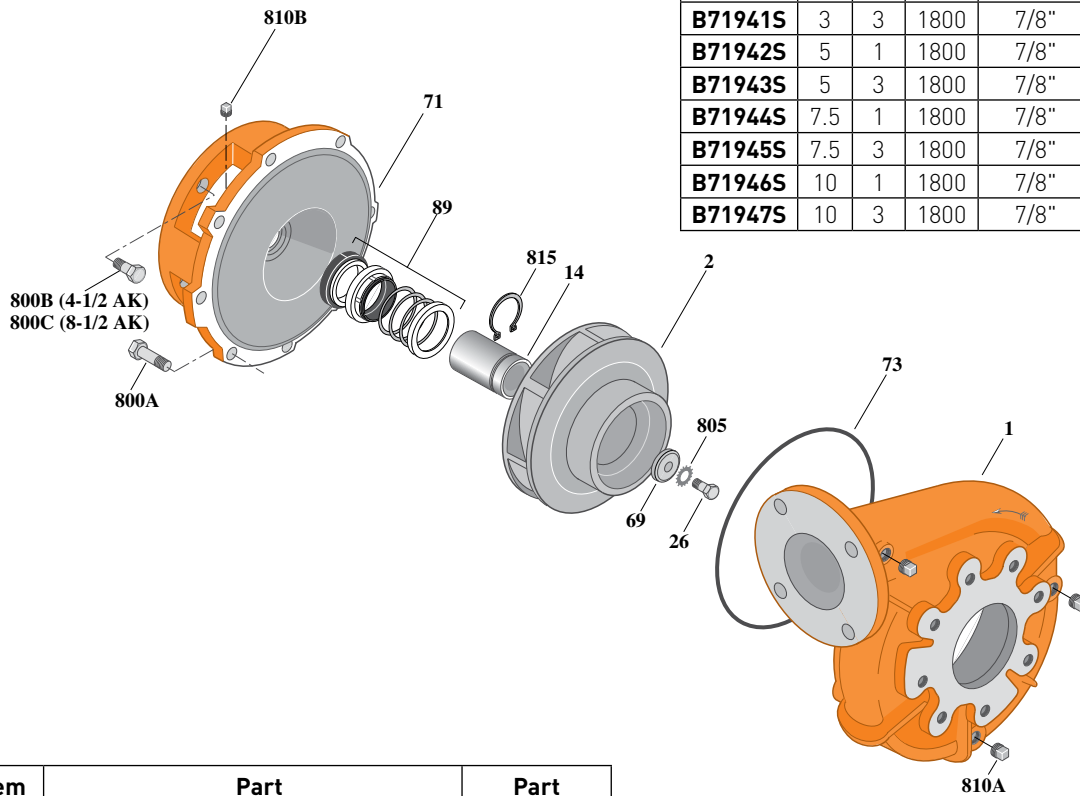
Flanged Case, Mechanical Shaft Seal Construction

ELECTRIC MOTOR DRIVE

Section	CC
Page	190.23
Date	March 4, 2013
Supersedes 07/01/11	

Table I

B/M No.	HP	PH	RPM	"U" Dim.	Imp. Dia.	Imp. No.
B71940S	3	1	1800	7/8"	6.06"	H05480
B71941S	3	3	1800	7/8"	6.06"	H05480
B71942S	5	1	1800	7/8"	7.00"	H05481
B71943S	5	3	1800	7/8"	7.00"	H05481
B71944S	7.5	1	1800	7/8"	7.88"	H05482
B71945S	7.5	3	1800	7/8"	7.88"	H05482
B71946S	10	1	1800	7/8"	8.44"	H05483
B71947S	10	3	1800	7/8"	8.44"	H05483



Item No.	Part Description	Part Number
1	Case, Volute	H05130
2	Impeller	See Table I
14	Sleeve, Shaft	S19310L
26	Screw, Impeller 3/8 - 16 x 1"	S23566
32	Key, 3/16 x 1-1/4" [See Note 1]	S34383
69	Washer, Impeller	S06314
71	Bracket	See Table II
73	O-Ring [See Note 3]	M14943
89	Seal, Mechanical Shaft	S32014
800A	Capscrew, 3/8 - 16 x 1" [8 Req.]	S26826
800B	Capscrew, 3/8 - 16 x 1" [4 Req.]	S26826
800C	Capscrew, 1/2 - 13 x 1" [4 Req.]	S26912
805	Washer, Lock	S23036
810A	Plug, Pipe 1/4" NPT [3 Req.]	S23715
810B	Plug, Pipe 1/8" NPT [In Bracket]	S23714
815	Ring, Retaining	S11207

• Not illustrated.

Table II

HP	PH	Bracket No.	"AK" Fit	"U" Dim.	Motor Frame
3	1	L05332	4-1/2"	7/8"	184JM
3	3	L05332	4-1/2"	7/8"	182JM
5	1	L05331	8-1/2"	7/8"	213JM
5	3	L05332	4-1/2"	7/8"	184JM
7.5	1	L05331	8-1/2"	7/8"	215JM
7.5	3	L05331	8-1/2"	7/8"	213JM
10	1	L05331	8-1/2"	7/8"	215JM
10	3	L05331	8-1/2"	7/8"	215JM

NOTE 1: For an explanation of the tabulated material found on this page and for impeller key location, refer to **Supplement A** located at the beginning of this section.

NOTE 2: For seal flush line details, see **Supplement D**.

NOTE 3: Also accepts gasket **S05126** as replacement for O-Ring. See **Supplement E** located at the beginning of this section.



BERKELEY® B3ZPMS Silicon Bronze Impeller

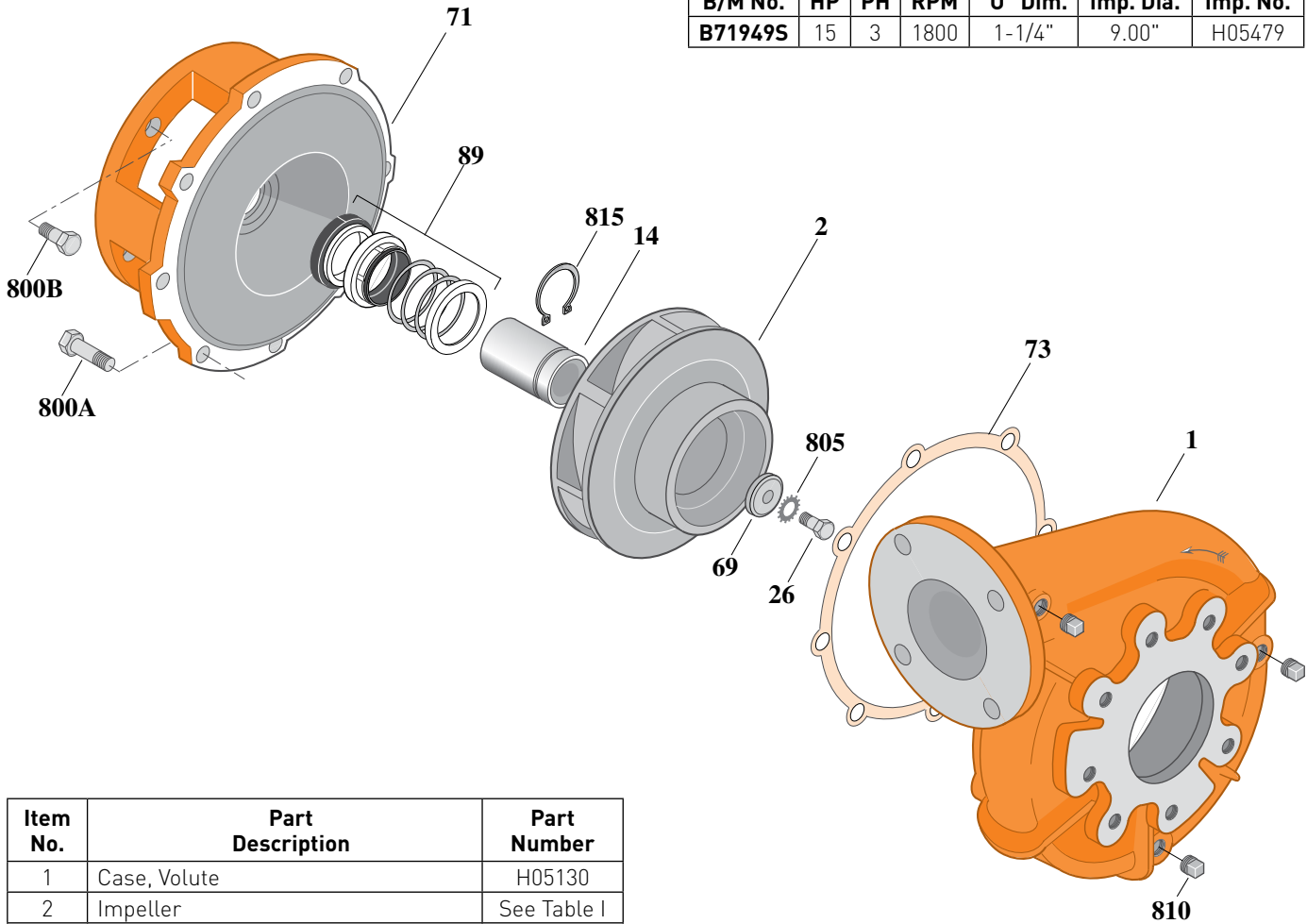
Flanged Case, Mechanical Shaft Seal Construction

ELECTRIC MOTOR DRIVE

Section	CC
Page	190.24
Date	March 4, 2013
Supersedes 09/01/97	

Table I

B/M No.	HP	PH	RPM	"U" Dim.	Imp. Dia.	Imp. No.
B71949S	15	3	1800	1-1/4"	9.00"	H05479



1614 0195

Item No.	Part Description	Part Number
1	Case, Volute	H05130
2	Impeller	See Table I
14	Sleeve, Shaft	S18869
26	Screw, Impeller 1/2 - 13 x 1"	S23619
32	Key, 1/4 x 2-1/4" (See Note)	S23677
69	Washer, Impeller	S06319
71	Bracket	See Table II
73	Gasket, Volute	S05126
89	Seal, Mechanical Shaft	S32015
800A	Capscrew, 3/8 - 16 x 1" (8 Req.)	S26826
800B	Capscrew, 1/2 - 13 x 1" (4 Req.)	S26912
805	Washer, Lock	S23038
810	Plug, Pipe 1/4" NPT (3 Req.)	S23715
815	Ring, Retaining	S16767
•	Plug, Pipe 1/8" NPT (In Bracket)	S23714

• Not illustrated.

Table II

HP	PH	Bracket No.	"AK" Fit	"U" Dim.	Motor Frame
15	3	L04615	8-1/2"	1-1/4"	254JM

NOTE 1: For an explanation of the tabulated material found on this page and for impeller key location, refer to **Supplement A** located at the beginning of this section.

NOTE 2: For seal flush line details, see **Supplement D**.



BERKELEY® B3ZPBH

Cast Iron Impeller

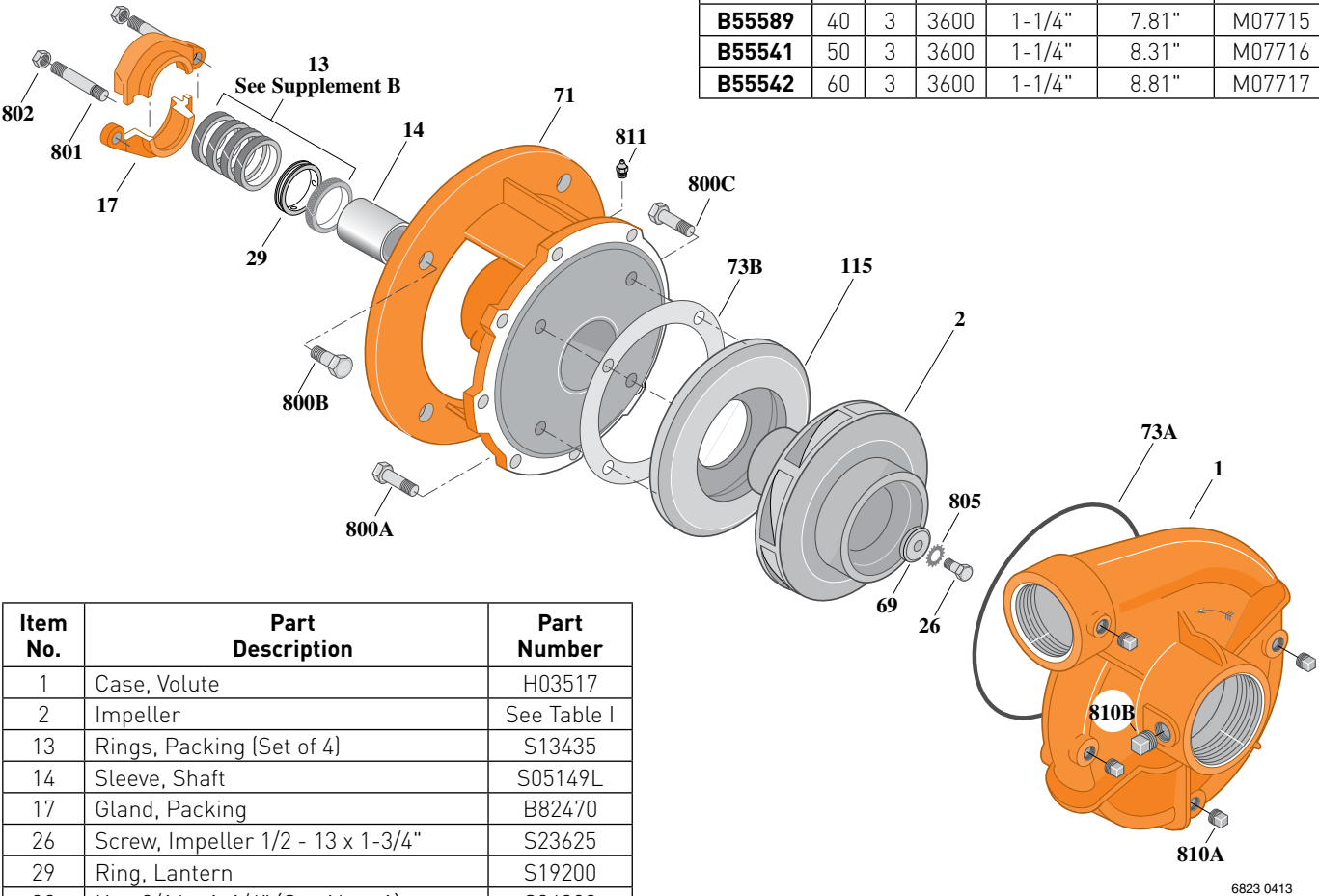
Threaded Case (NPT), Packing Construction

ELECTRIC MOTOR DRIVE

Section	CC
Page	200.1
Date	March 4, 2013
Supersedes 07/01/11	

Table I

B/M No.	HP	PH	RPM	"U" Dim.	Imp. Dia.	Imp. No.
B55588	30	3	3600	1-1/4"	7.12"	M07714
B55589	40	3	3600	1-1/4"	7.81"	M07715
B55541	50	3	3600	1-1/4"	8.31"	M07716
B55542	60	3	3600	1-1/4"	8.81"	M07717



Item No.	Part Description	Part Number
1	Case, Volute	H03517
2	Impeller	See Table I
13	Rings, Packing (Set of 4)	S13435
14	Sleeve, Shaft	S05149L
17	Gland, Packing	B82470
26	Screw, Impeller 1/2 - 13 x 1-3/4"	S23625
29	Ring, Lantern	S19200
32	Key, 3/16 x 1-1/4" [See Note 1]	S34383
69	Washer, Impeller	S18177
71	Bracket	See Table II
73A	O-Ring [See Note 2]	M14943
73B	Gasket, Balance Ring	S09943
115	Ring, Balance	S19904
800A	Capscrew, 3/8 - 16 x 1" [8 Req.]	S26826
800B	Capscrew, 5/8 - 11 x 1-1/4" [4 Req.]	S26999
800C	Capscrew, 3/8 - 16 x 7/8" [4 Req.]	S26825
801	Stud, 3/8 - 16 x 4" [2 Req.]	S08303
802	Nut, Hex 3/8 - 16 [2 Req.]	S23343
805	Washer, Lock	S23038
810A	Plug, Pipe 1/4 NPT [4 Req.]	S23715
810B	Plug, Pipe 1/2 NPT	S23717
811	Fitting, Grease	S23700

Table II

HP	PH	Bracket No.	"AK" Fit	"U" Dim.	Motor Frame
30	3	L05511	12-1/2"	1-1/4"	284JP
40	3	L05511	12-1/2"	1-1/4"	286JP
50	3	L05511	12-1/2"	1-1/4"	324JP
60	3	L05511	12-1/2"	1-1/4"	326JP

NOTE 1: For an explanation of the tabulated material found on this page and for impeller key location, refer to **Supplement A** located at the beginning of this section.

NOTE 2: Also accepts gasket **S05126** as replacement for O-Ring. See **Supplement E** located at the beginning of this section.



BERKELEY® B3ZPBH

Cast Iron Impeller

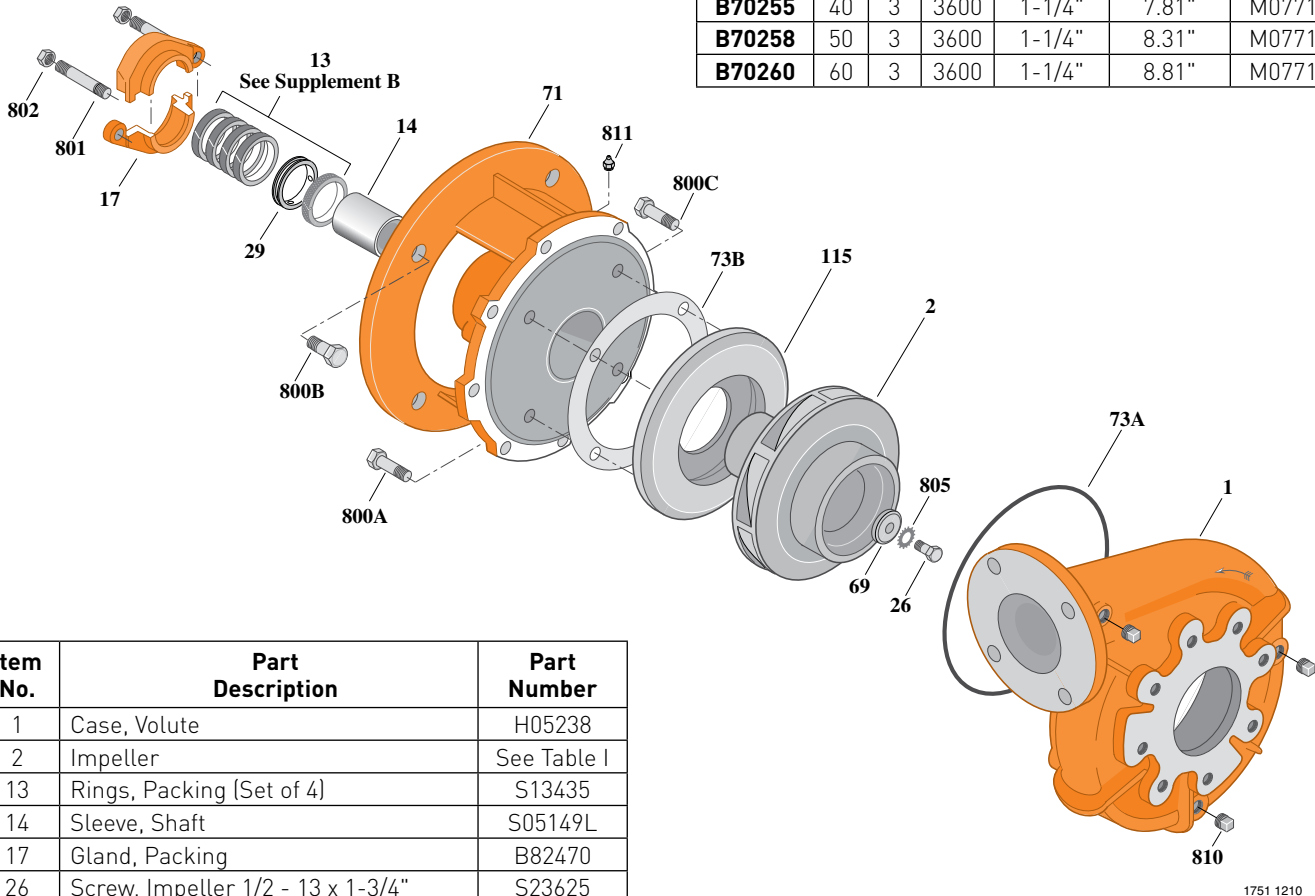
Flanged Case, Packing Construction

ELECTRIC MOTOR DRIVE

Section	CC
Page	200.2
Date	March 4, 2013
Supersedes 07/01/11	

Table I

B/M No.	HP	PH	RPM	"U" Dim.	Imp. Dia.	Imp. No.
B70252	30	3	3600	1-1/4"	7.12"	M07714
B70255	40	3	3600	1-1/4"	7.81"	M07715
B70258	50	3	3600	1-1/4"	8.31"	M07716
B70260	60	3	3600	1-1/4"	8.81"	M07717



Item No.	Part Description	Part Number
1	Case, Volute	H05238
2	Impeller	See Table I
13	Rings, Packing (Set of 4)	S13435
14	Sleeve, Shaft	S05149L
17	Gland, Packing	B82470
26	Screw, Impeller 1/2 - 13 x 1-3/4"	S23625
29	Ring, Lantern	S19200
32	Key, 1/4 x 2-1/4" (See Note 1)	S23677
69	Washer, Impeller	S18117
71	Bracket	See Table II
73A	O-Ring (See Note 2)	M14943
73B	Gasket, Balance Ring	S09943
115	Ring, Balance	S19904
800A	Cap screw, 3/8 - 16 x 1" (12 Req.)	S26826
800B	Cap screw, 5/8 - 11 x 1-1/2" (4 Req.)	S26999
800C	Cap screw, 3/8 - 16 x 7/8" (4 Req.)	S26825
801	Stud, 3/8 - 16 x 4" (2 Req.)	S08303
802	Nut, Hex 3/8 - 16 (2 Req.)	S23343
805	Washer, Lock	S23038
810	Plug, Pipe 1/4 NPT (4 Req.)	S23715
811	Fitting, Grease	S23700

Table II

HP	PH	Bracket No.	"AK" Fit	"U" Dim.	Motor Frame
30	3	L05511	12-1/2"	1-1/4"	284JP
40	3	L05511	12-1/2"	1-1/4"	286JP
50	3	L05511	12-1/2"	1-1/4"	324JP
60	3	L05511	12-1/2"	1-1/4"	326JP

NOTE 1: For an explanation of the tabulated material found on this page and for impeller key location, refer to **Supplement A** located at the beginning of this section.

NOTE 2: Also accepts gasket **S05126** as replacement for O-Ring. See **Supplement E** located at the beginning of this section.



BERKELEY® B3ZPBHS

Cast Iron Impeller

Threaded Case (NPT), Mechanical Shaft Seal Construction

ELECTRIC MOTOR DRIVE

Section	CC
Page	200.3
Date	March 4, 2013
Supersedes 07/01/11	

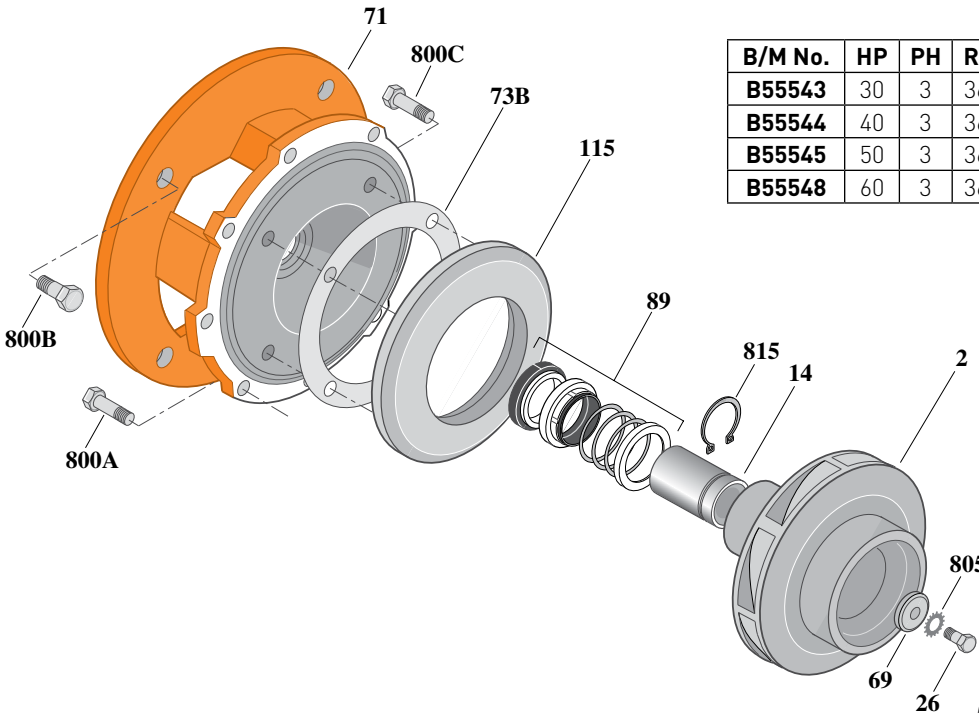
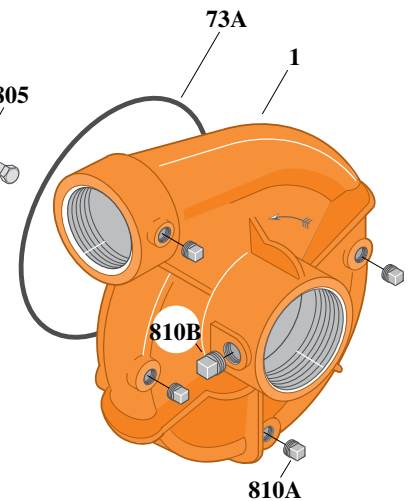


Table I

B/M No.	HP	PH	RPM	"U" Dim.	Imp. Dia.	Imp. No.
B55543	30	3	3600	1-1/4"	7.12"	M07714
B55544	40	3	3600	1-1/4"	7.81"	M07715
B55545	50	3	3600	1-1/4"	8.31"	M07716
B55548	60	3	3600	1-1/4"	8.81"	M07717



1615 0195

Item No.	Part Description	Part Number
1	Case, Volute	H03517
2	Impeller	See Table I
14	Sleeve, Shaft	S18869L
26	Screw, Impeller 1/2 - 13 x 1-3/4"	S23625
32	Key, 1/4 x 2-1/4" [See Note 1]	S23677
69	Washer, Impeller	S18117
71	Bracket	See Table II
73A	O-Ring [See Note 2]	M14943
73B	Gasket, Balance Ring	S09943
89	Seal, Mechanical Shaft	S32015
115	Ring, Balance	S19911
800A	Capscrew, 3/8 - 16 x 1" [8 Req.]	S26826
800B	Capscrew, 5/8 - 11 x 1-1/2" [4 Req.]	S26999
800C	Capscrew, 3/8 - 16 x 7/8" [4 Req.]	S26825
805	Washer, Lock	S23038
810A	Plug, Pipe 1/4 NPT [4 Req.]	S23715
810B	Plug, Pipe 1/2 NPT	S23717
815	Ring, Retaining	S16767

Table II

HP	PH	Bracket No.	"AK" Fit	"U" Dim.	Motor Frame
30	3	L05515	12-1/2"	1-1/4"	284JM
40	3	L05515	12-1/2"	1-1/4"	286JM
50	3	L05515	12-1/2"	1-1/4"	324JM
60	3	L05515	12-1/2"	1-1/4"	326JM

NOTE 1: For an explanation of the tabulated material found on this page and for impeller key location, refer to **Supplement A** located at the beginning of this section.

NOTE 2: Also accepts gasket **S05126** as replacement for O-Ring. See **Supplement E** located at the beginning of this section.



BERKELEY® B3ZPBHS

Cast Iron Impeller

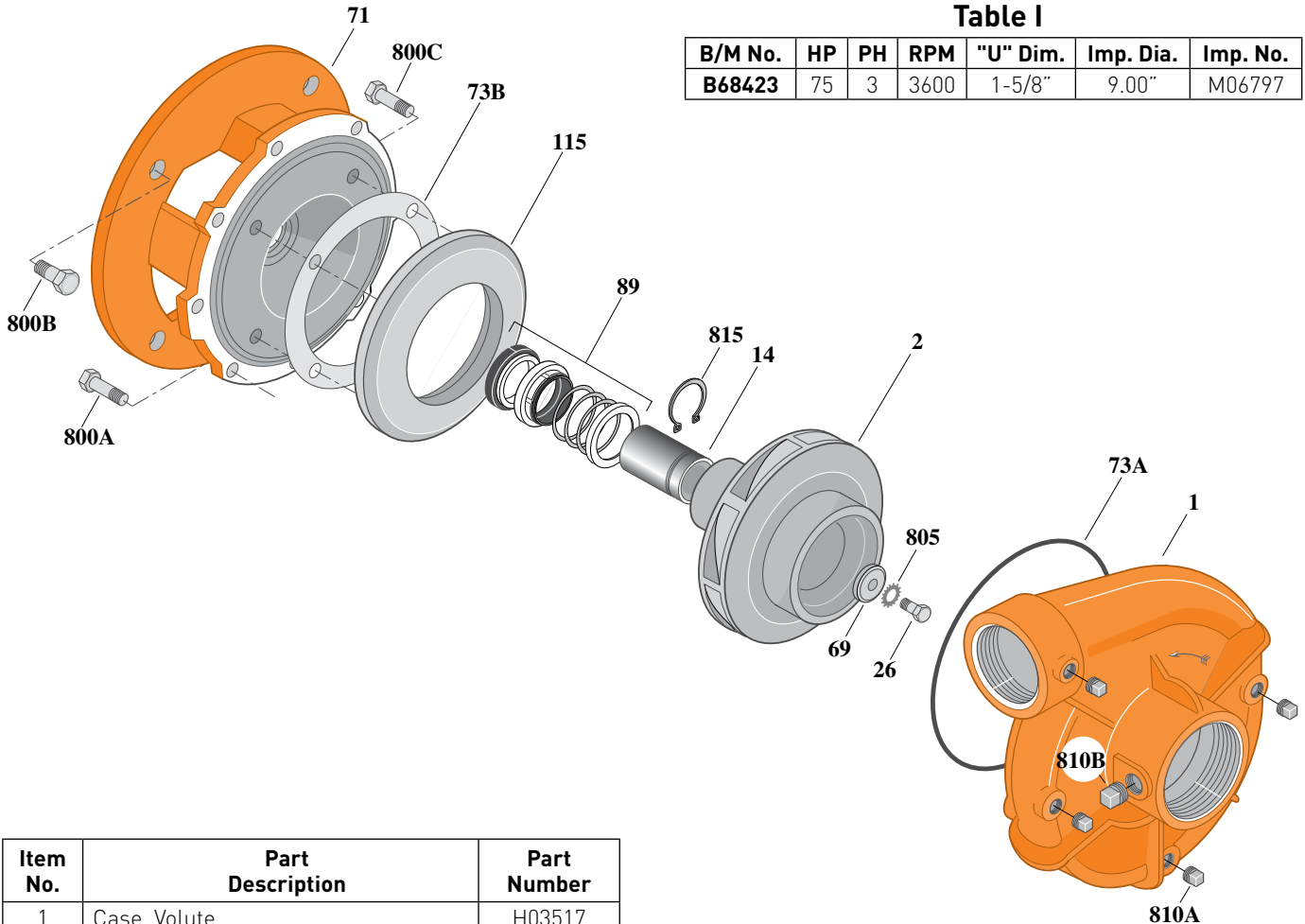
Threaded Case (NPT), Mechanical Shaft Seal Construction

ELECTRIC MOTOR DRIVE

Section	CC
Page	200.4
Date	March 4, 2013
Supersedes 07/01/11	

Table I

B/M No.	HP	PH	RPM	"U" Dim.	Imp. Dia.	Imp. No.
B68423	75	3	3600	1-5/8"	9.00"	M06797



1616 1210

Item No.	Part Description	Part Number
1	Case, Volute	H03517
2	Impeller	See Table I
14	Sleeve, Shaft	M09669L
26	Screw, Impeller 1/2 - 13 x 1-1/2"	S23623
32	Key, 3/8 x 2-1/4" [See Note 1]	S23940
69	Washer, Impeller	S18801
71	Bracket	See Table II
73A	O-Ring [See Note 2]	M14943
73B	Gasket, Balance Ring	S09943
89	Seal, Mechanical Shaft	S39264
115	Ring, Balance	S19911
800A	Capscrew, 3/8 - 16 x 1" [12 Req.]	S26826
800B	Capscrew, 5/8 - 11 x 1-1/2" [4 Req.]	S26999
805	Washer, Lock	S23038
810A	Plug, Pipe 1/4 NPT [4 Req.]	S23715
810B	Plug, Pipe 1/2 NPT	S23717
815	Ring, Retaining	S18136

Table II

HP	PH	Bracket No.	"AK" Fit	"U" Dim.	Motor Frame
75	3	H04088	12-1/2"	1-5/8"	364JP

NOTE 1: For an explanation of the tabulated material found on this page and for impeller key location, refer to **Supplement A** located at the beginning of this section.

NOTE 2: Also accepts gasket **S05126** as replacement for O-Ring. See **Supplement E** located at the beginning of this section.



BERKELEY® B3ZPBHS

Cast Iron Impeller

Flanged Case, Mechanical Shaft Seal Construction

ELECTRIC MOTOR DRIVE

Section	CC
Page	200.5
Date	March 4, 2013
Supersedes 07/01/11	

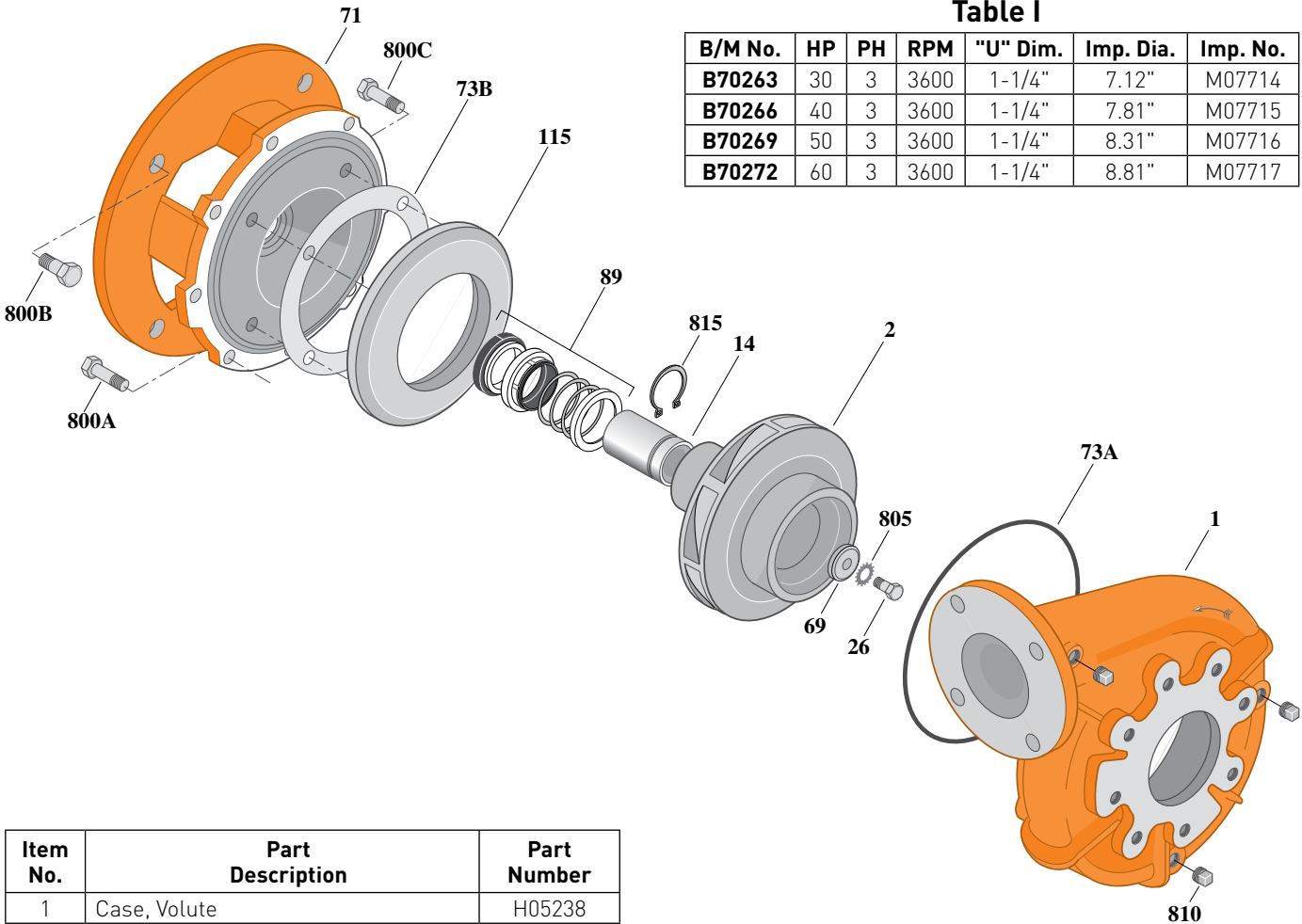


Table I

B/M No.	HP	PH	RPM	"U" Dim.	Imp. Dia.	Imp. No.
B70263	30	3	3600	1-1/4"	7.12"	M07714
B70266	40	3	3600	1-1/4"	7.81"	M07715
B70269	50	3	3600	1-1/4"	8.31"	M07716
B70272	60	3	3600	1-1/4"	8.81"	M07717

Item No.	Part Description	Part Number
1	Case, Volute	H05238
2	Impeller	See Table I
14	Sleeve, Shaft	S18869L
26	Screw, Impeller 1/2 - 13 x 1-3/4"	S23625
32	Key, 1/4 x 2-1/4" [See Note 1]	S23677
69	Washer, Impeller	S18117
71	Bracket	See Table II
73A	O-Ring [See Note 2]	M14943
73B	Gasket, Balance Ring	S09943
89	Seal, Mechanical Shaft	S32015
115	Ring, Balance	S19911
800A	Capscrew, 3/8 - 16 x 1" [8 Req.]	S26826
800B	Capscrew, 5/8 - 11 x 1-1/2" [4 Req.]	S26999
800C	Capscrew, 3/8 - 16 x 7/8" [4 Req.]	S26825
805	Washer, Lock	S23038
810	Plug, Pipe 1/4 NPT [4 Req.]	S23715
815	Ring, Retaining	S16767

Table II

HP	PH	Bracket No.	"AK" Fit	"U" Dim.	Motor Frame
30	3	L05515	12-1/2"	1-1/4"	284JM
40	3	L05515	12-1/2"	1-1/4"	286JM
50	3	L05515	12-1/2"	1-1/4"	324JM
60	3	L05515	12-1/2"	1-1/4"	326JM

NOTE 1: For an explanation of the tabulated material found on this page and for impeller key location, refer to **Supplement A** located at the beginning of this section.

NOTE 2: Also accepts gasket **S05126** as replacement for O-Ring. See **Supplement E** located at the beginning of this section.



BERKELEY® B3ZPBHS

Cast Iron Impeller

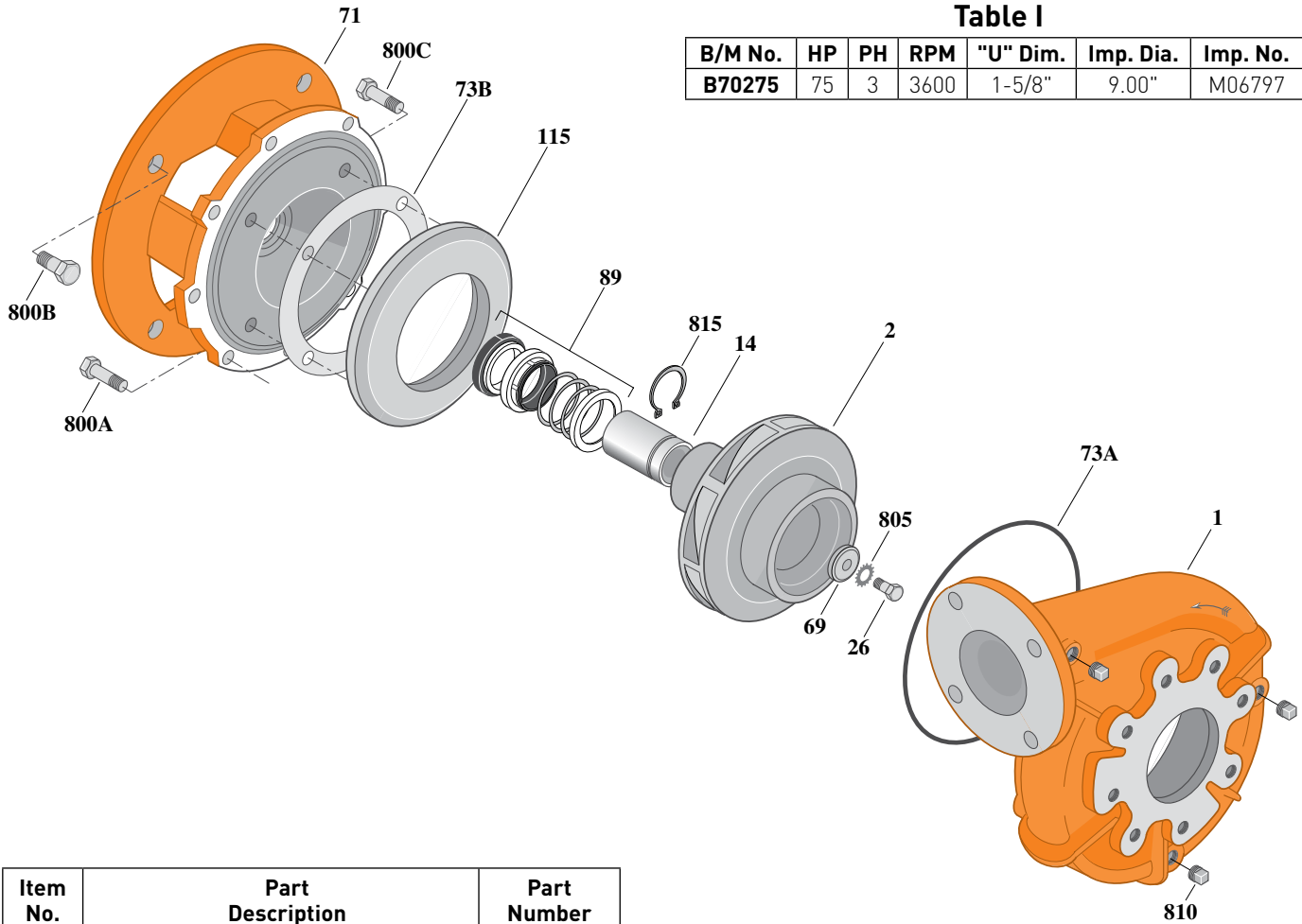
Flanged Case, Mechanical Shaft Seal Construction

ELECTRIC MOTOR DRIVE

Section	CC
Page	200.6
Date	March 4, 2013
Supersedes 07/01/11	

Table I

B/M No.	HP	PH	RPM	"U" Dim.	Imp. Dia.	Imp. No.
B70275	75	3	3600	1-5/8"	9.00"	M06797



1618 1210

Item No.	Part Description	Part Number
1	Case, Volute	H05238
2	Impeller	See Table I
14	Sleeve, Shaft	M09669L
26	Screw, Impeller 1/2 - 13 x 1-1/2"	S23623
32	Key, 3/8 x 2-1/4" (See Note 1)	S23940
69	Washer, Impeller	S18801
71	Bracket	See Table II
73A	O-Ring (See Note 2)	M14943
73B	Gasket, Balance Ring	S09943
89	Seal, Mechanical Shaft	S39264
115	Ring, Balance	S19911
800A	Capscrew, 3/8 - 16 x 1" (12 Req.)	S26826
800B	Capscrew, 5/8 - 11 x 1-1/2" (4 Req.)	S26999
805	Washer, Lock	S23038
810	Plug, Pipe (4 Req.)	S23715
815	Ring, Retaining	S18136

Table II

HP	PH	Bracket No.	"AK" Fit	"U" Dim.	Motor Frame
75	3	H04088	12-1/2"	1-5/8"	364JP

NOTE 1: For an explanation of the tabulated material found on this page and for impeller key location, refer to **Supplement A** located at the beginning of this section.

NOTE 2: Also accepts gasket **S05126** as replacement for O-Ring. See **Supplement E** located at the beginning of this section.



BERKELEY® B3ZPBHS

Bronze Impeller

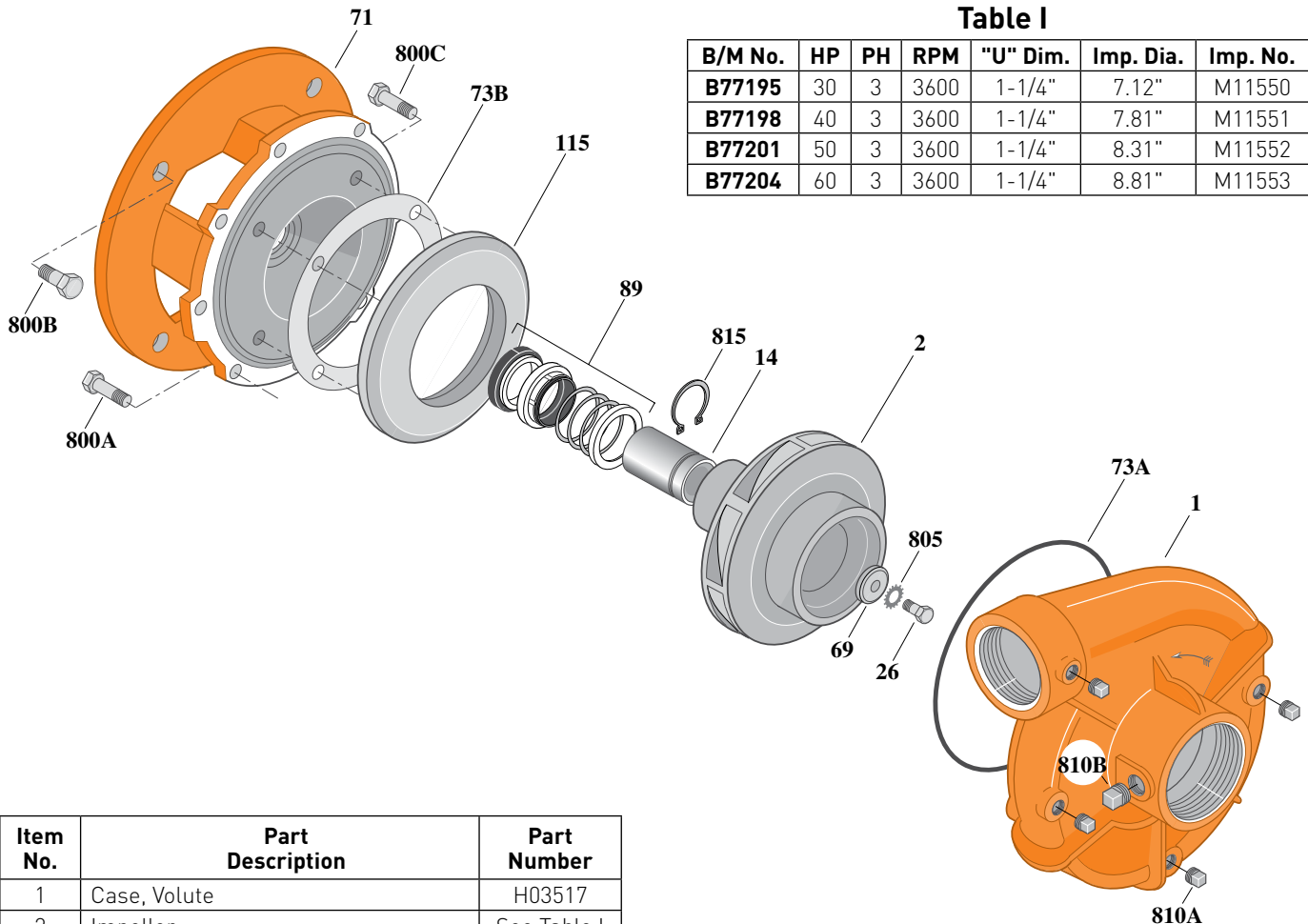
Threaded Case (NPT), Mechanical Shaft Seal Construction

ELECTRIC MOTOR DRIVE

Section	CC
Page	200.7
Date	March 4, 2013
Supersedes 07/01/11	

Table I

B/M No.	HP	PH	RPM	"U" Dim.	Imp. Dia.	Imp. No.
B77195	30	3	3600	1-1/4"	7.12"	M11550
B77198	40	3	3600	1-1/4"	7.81"	M11551
B77201	50	3	3600	1-1/4"	8.31"	M11552
B77204	60	3	3600	1-1/4"	8.81"	M11553



1615 0195

Item No.	Part Description	Part Number
1	Case, Volute	H03517
2	Impeller	See Table I
14	Sleeve, Shaft	S18869L
26	Screw, Impeller 1/2 - 13 x 1-3/4"	S23625
32	Key, 1/4 x 2-1/4" [See Note 1]	S23677
69	Washer, Impeller	S18117
71	Bracket	See Table II
73A	O-Ring [See Note 2]	M14943
73B	Gasket, Balance Ring	S09943
89	Seal, Mechanical Shaft	S32015
115	Ring, Balance	S19911
800A	Capscrew, 3/8 - 16 x 1" [8 Req.]	S26826
800B	Capscrew, 5/8 - 11 x 1-1/2" [4 Req.]	S26999
800C	Capscrew, 3/8 - 16 x 7/8" [4 Req.]	S26825
805	Washer, Lock	S23038
810A	Plug, Pipe 1/4 NPT [4 Req.]	S23715
810B	Plug, Pipe 1/2 NPT	S23717
815	Ring, Retaining	S16767

Table II

HP	PH	Bracket No.	"AK" Fit	"U" Dim.	Motor Frame
30	3	L05515	12-1/2"	1-1/4"	284JM
40	3	L05515	12-1/2"	1-1/4"	286JM
50	3	L05515	12-1/2"	1-1/4"	324JM
60	3	L05515	12-1/2"	1-1/4"	326JM

NOTE 1: For an explanation of the tabulated material found on this page and for impeller key location, refer to **Supplement A** located at the beginning of this section.

NOTE 2: Also accepts gasket **S05126** as replacement for O-Ring. See **Supplement E** located at the beginning of this section.



BERKELEY® B3ZPBHS

Bronze Impeller

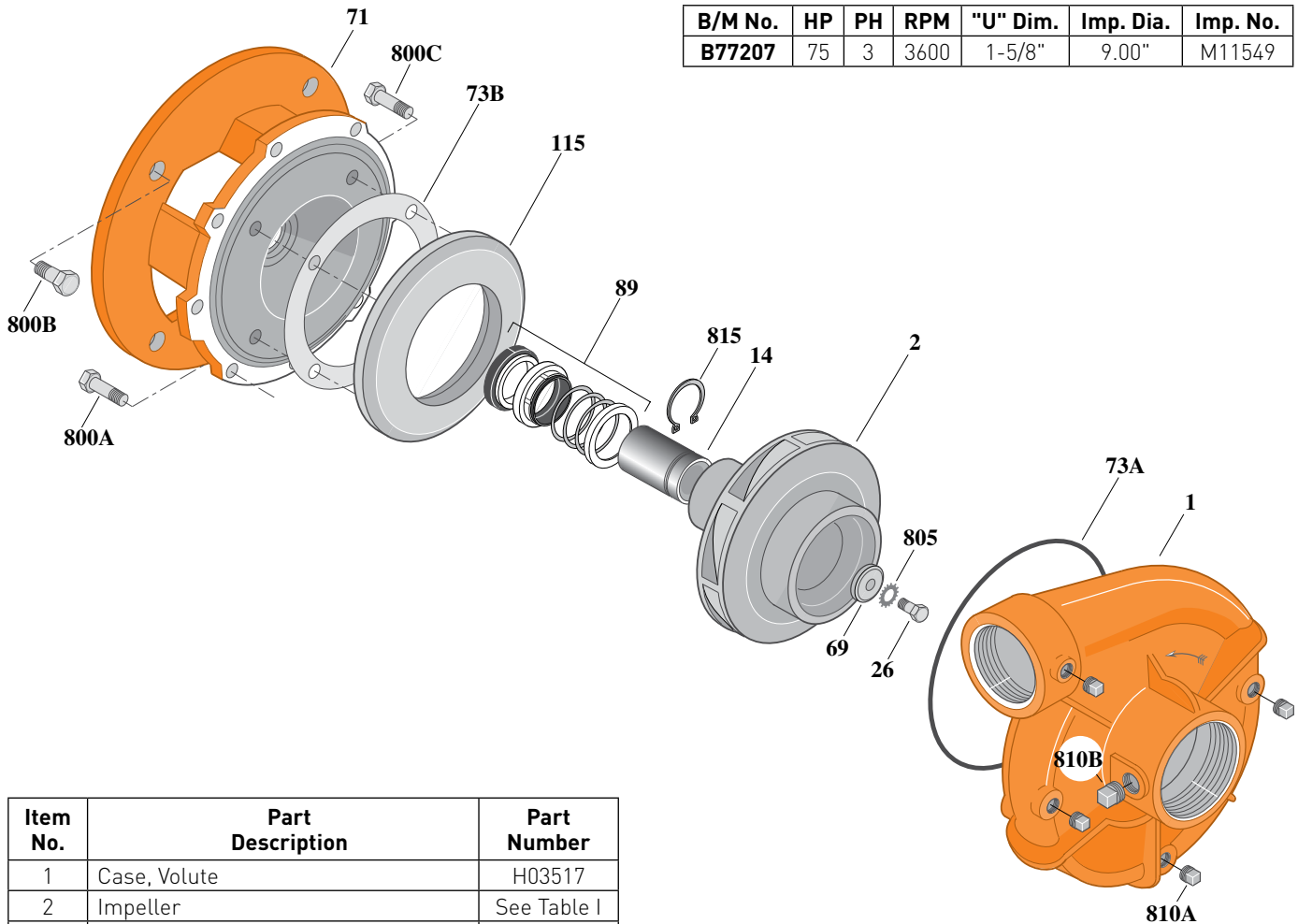
Threaded Case (NPT), Mechanical Shaft Seal Construction

ELECTRIC MOTOR DRIVE

Section	CC
Page	200.8
Date	March 4, 2013
Supersedes 07/01/11	

Table I

B/M No.	HP	PH	RPM	"U" Dim.	Imp. Dia.	Imp. No.
B77207	75	3	3600	1-5/8"	9.00"	M11549



Item No.	Part Description	Part Number
1	Case, Volute	H03517
2	Impeller	See Table I
14	Sleeve, Shaft	M09669L
26	Screw, Impeller 1/2 - 13 x 1-1/2"	S23623
32	Key, 3/8 x 2-1/4" [See Note 1]	S23940
69	Washer, Impeller	S18801
71	Bracket	See Table II
73A	O-Ring [See Note 2]	M14943
73B	Gasket, Balance Ring	S09943
89	Seal, Mechanical Shaft	S39264
115	Ring, Balance	S19911
800A	Cap screw, 3/8 - 16 x 1" [12 Req.]	S26826
800B	Cap screw, 5/8 - 11 x 1-1/2" [4 Req.]	S26999
805	Washer, Lock	S23038
810A	Plug, Pipe 1/4 NPT [4 Req.]	S23715
810B	Plug, Pipe 1/2 NPT	S23717
815	Ring, Retaining	S18136

Table II

HP	PH	Bracket No.	"AK" Fit	"U" Dim.	Motor Frame
75	3	H04088	12-1/2"	1-5/8"	364JP

NOTE 1: For an explanation of the tabulated material found on this page and for impeller key location, refer to **Supplement A** located at the beginning of this section.

NOTE 2: Also accepts gasket **S05126** as replacement for O-Ring. See **Supplement E** located at the beginning of this section.



BERKELEY® B3ZPBHS

Bronze Impeller

Flanged Case, Mechanical Shaft Seal Construction

ELECTRIC MOTOR DRIVE

Section	CC
Page	200.9
Date	March 4, 2013
Supersedes 07/01/11	

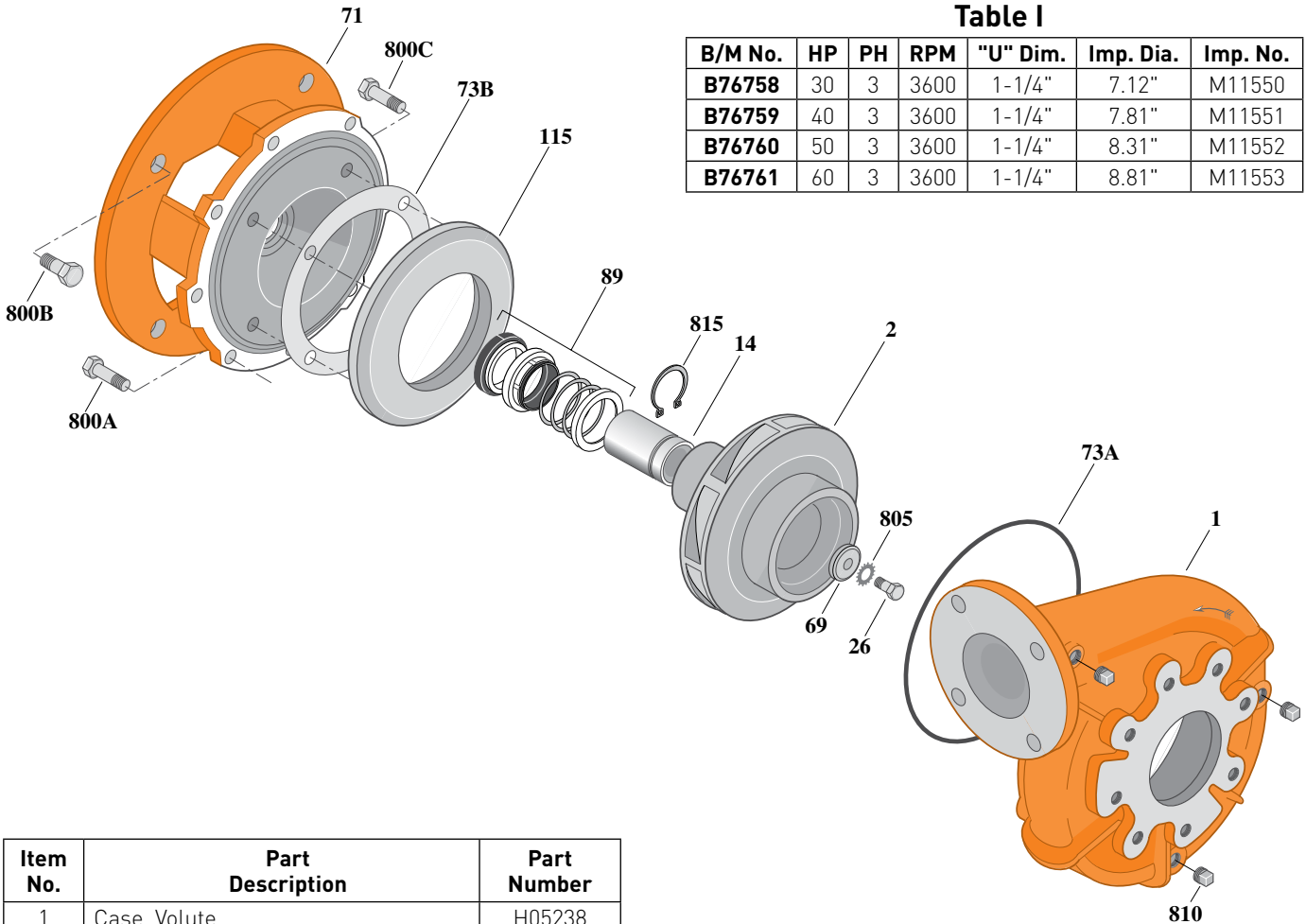


Table I

B/M No.	HP	PH	RPM	"U" Dim.	Imp. Dia.	Imp. No.
B76758	30	3	3600	1-1/4"	7.12"	M11550
B76759	40	3	3600	1-1/4"	7.81"	M11551
B76760	50	3	3600	1-1/4"	8.31"	M11552
B76761	60	3	3600	1-1/4"	8.81"	M11553

Item No.	Part Description	Part Number
1	Case, Volute	H05238
2	Impeller	See Table I
14	Sleeve, Shaft	S18869L
26	Screw, Impeller 1/2 - 13 x 1-3/4"	S23625
32	Key, 1/4 x 2-1/4" [See Note 1]	S23677
69	Washer, Impeller	S18117
71	Bracket	See Table II
73A	O-Ring [See Note 2]	M14943
73B	Gasket, Balance Ring	S09943
89	Seal, Mechanical Shaft	S32015
115	Ring, Balance	S19911
800A	Cap screw, 3/8 - 16 x 1" [8 Req.]	S26826
800B	Cap screw, 5/8 - 11 x 1-1/2" [4 Req.]	S26999
800C	Cap screw, 3/8 - 16 x 7/8" [4 Req.]	S26825
805	Washer, Lock	S23038
810	Plug, Pipe 1/4 NPT [4 Req.]	S23715
815	Ring, Retaining	S16767

Table II

HP	PH	Bracket No.	"AK" Fit	"U" Dim.	Motor Frame
30	3	L05515	12-1/2"	1-1/4"	284JM
40	3	L05515	12-1/2"	1-1/4"	286JM
50	3	L05515	12-1/2"	1-1/4"	324JM
60	3	L05515	12-1/2"	1-1/4"	326JM

NOTE 1: For an explanation of the tabulated material found on this page and for impeller key location, refer to **Supplement A** located at the beginning of this section.

NOTE 2: Also accepts gasket **S05126** as replacement for O-Ring. See **Supplement E** located at the beginning of this section.



BERKELEY® B3ZPBHS

Bronze Impeller

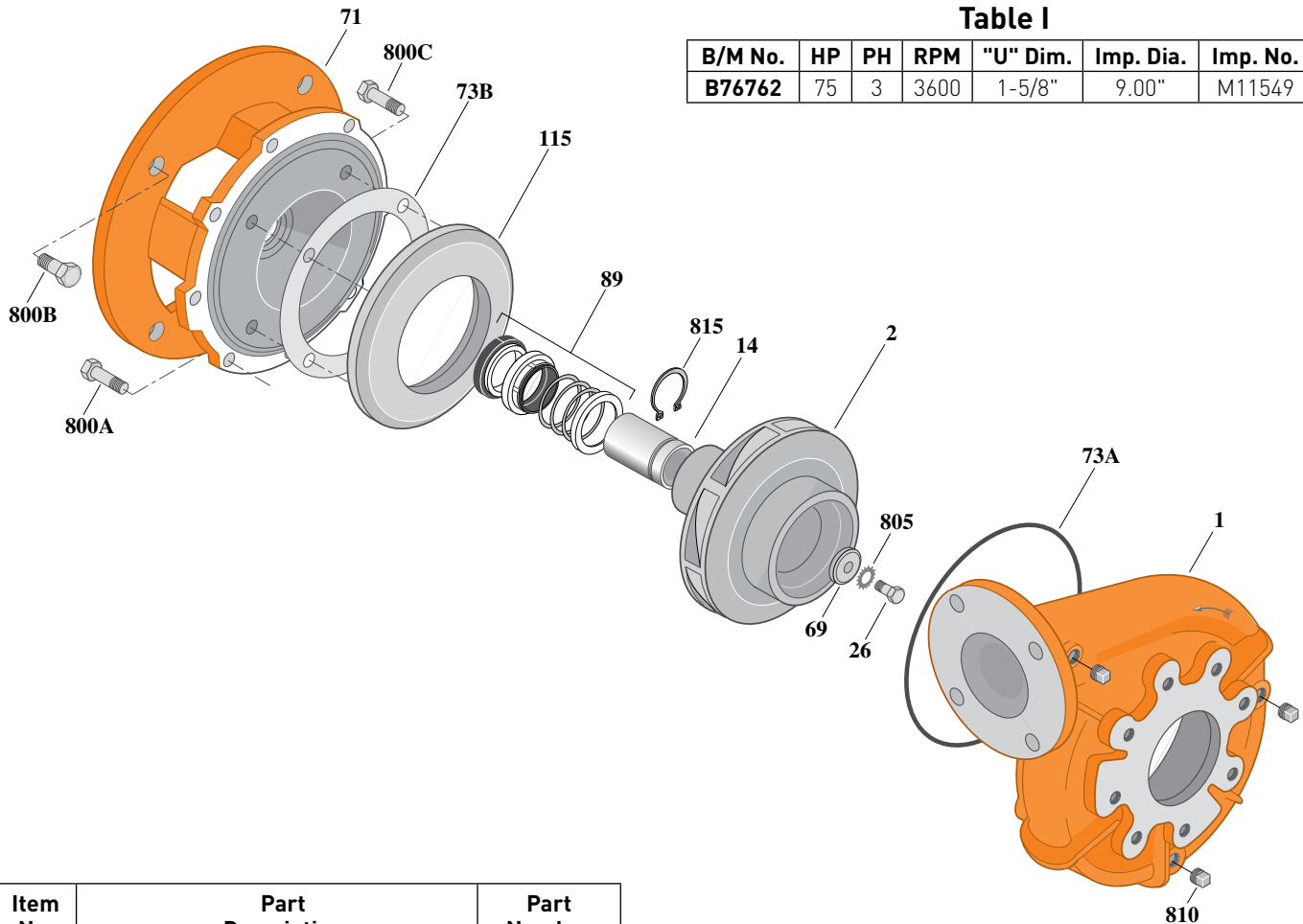
Flanged Case, Mechanical Shaft Seal Construction

ELECTRIC MOTOR DRIVE

Section	CC
Page	200.10
Date	March 4, 2013
Supersedes 07/01/11	

Table I

B/M No.	HP	PH	RPM	"U" Dim.	Imp. Dia.	Imp. No.
B76762	75	3	3600	1-5/8"	9.00"	M11549



1618 1210

Item No.	Part Description	Part Number
1	Case, Volute	H05238
2	Impeller	See Table I
14	Sleeve, Shaft	M09669L
26	Screw, Impeller 1/2 - 13 x 1-1/2"	S23623
32	Key, 3/8 x 2-1/4" [See Note 1]	S23940
69	Washer, Impeller	S18801
71	Bracket	See Table II
73A	O-Ring [See Note 2]	M14943
73B	Gasket, Balance Ring	S09943
89	Seal, Mechanical Shaft	S39264
115	Ring, Balance	S19911
800A	Capscrew, 3/8 - 16 x 1" [12 Req.]	S26826
800B	Capscrew, 5/8 - 11 x 1-1/2" [4 Req.]	S26999
805	Washer, Lock	S23038
810	Plug, Pipe [4 Req.]	S23715
815	Ring, Retaining	S18136

Table II

HP	PH	Bracket No.	"AK" Fit	"U" Dim.	Motor Frame
75	3	H04088	12-1/2"	1-5/8"	364JP

NOTE 1: For an explanation of the tabulated material found on this page and for impeller key location, refer to **Supplement A** located at the beginning of this section.

NOTE 2: Also accepts gasket **S05126** as replacement for O-Ring. See **Supplement E** located at the beginning of this section.



BERKELEY® B3EPBL

Cast Iron Impeller

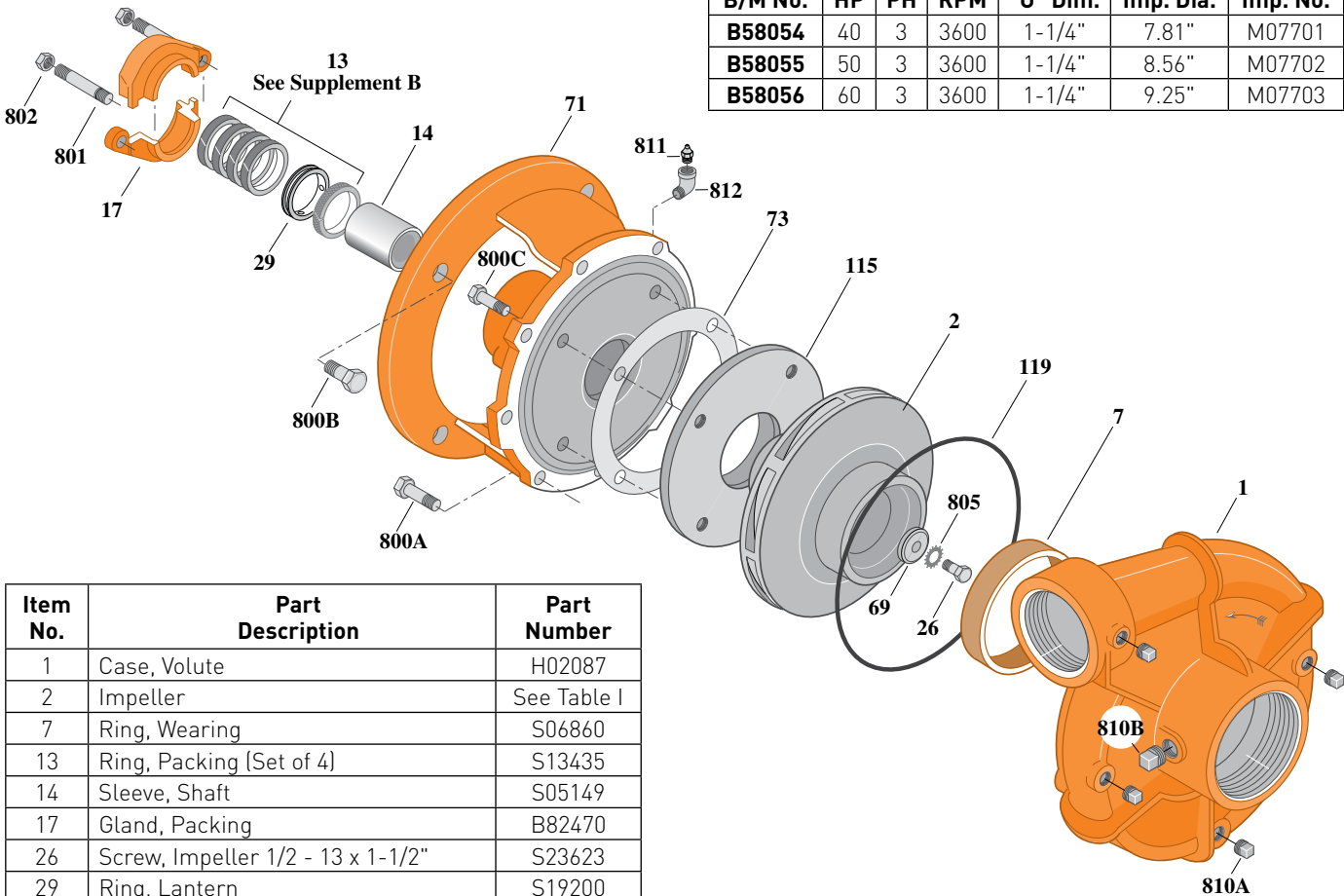
Threaded Case (NPT), Packing Construction

ELECTRIC MOTOR DRIVE

Section	CC
Page	210.1
Date	March 4, 2013
Supersedes 01/01/04	

Table I

B/M No.	HP	PH	RPM	"U" Dim.	Imp. Dia.	Imp. No.
B58054	40	3	3600	1-1/4"	7.81"	M07701
B58055	50	3	3600	1-1/4"	8.56"	M07702
B58056	60	3	3600	1-1/4"	9.25"	M07703



Item No.	Part Description	Part Number
1	Case, Volute	H02087
2	Impeller	See Table I
7	Ring, Wearing	S06860
13	Ring, Packing (Set of 4)	S13435
14	Sleeve, Shaft	S05149
17	Gland, Packing	B82470
26	Screw, Impeller 1/2 - 13 x 1-1/2"	S23623
29	Ring, Lantern	S19200
32	Key, 1/4 x 2-1/4" (See Note)	S23677
69	Washer, Impeller	S18117
71	Bracket	See Table II
73	Gasket, Balance Ring	S09943
115	Ring, Balance	L03648
119	O-Ring	S13760
800A	Capscrew, 1/2 - 13 x 1-1/4" (8 Req.)	S26914
800B	Capscrew, 5/8 - 11 x 1-1/2" (4 Req.)	S26999
800C	Capscrew, 3/8 - 16 x 1" (4 Req.)	S26826
801	Stud, 3/8 - 16 x 2-1/2" (2 Req.)	S04438
802	Nut, Hex 3/8 - 16 (2 Req.)	S23343
805	Washer, Lock	S23038
810A	Plug, Pipe 1/4 NPT (4 Req.)	S23715
810B	Plug, Pipe 1/2 NPT	S23717
811	Fitting, Grease	S23700
812	Elbow, Street	S25421

Table II

HP	PH	Bracket No.	"AK" Fit	"U" Dim.	Motor Frame
40	3	L03497	12-1/2"	1-1/4"	286JP
50	3	L03497	12-1/2"	1-1/4"	324JP
60	3	L03497	12-1/2"	1-1/4"	326JP

NOTE: For an explanation of the tabulated material found on this page and for impeller key location, refer to **Supplement A** located at the beginning of this section.



BERKELEY® B3EPBL

Cast Iron Impeller

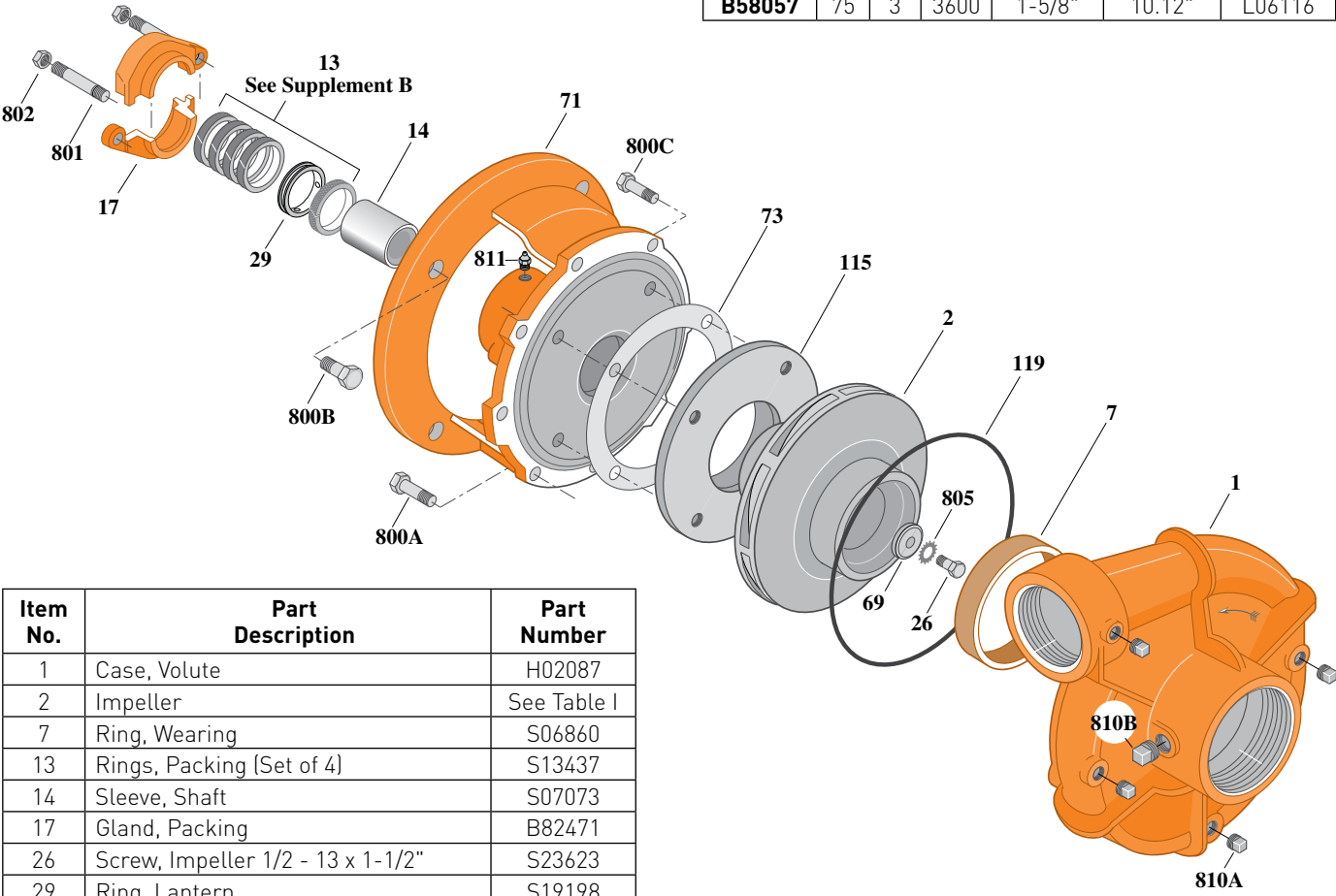
Threaded Case (NPT), Packing Construction

ELECTRIC MOTOR DRIVE

Section	CC
Page	210.2
Date	March 4, 2013
Supersedes 01/01/04	

Table I

B/M No.	HP	PH	RPM	"U" Dim.	Imp. Dia.	Imp. No.
B58057	75	3	3600	1-5/8"	10.12"	L06116



Item No.	Part Description	Part Number
1	Case, Volute	H02087
2	Impeller	See Table I
7	Ring, Wearing	S06860
13	Rings, Packing (Set of 4)	S13437
14	Sleeve, Shaft	S07073
17	Gland, Packing	B82471
26	Screw, Impeller 1/2 - 13 x 1-1/2"	S23623
29	Ring, Lantern	S19198
32	Key, 3/8 x 2-1/4" (See Note)	S23940
69	Washer, Impeller	S18801
71	Bracket	See Table II
73	Gasket, Balance Ring	S09943
115	Ring, Balance	L03697
119	O-Ring	S13760
800A	Capscrew, 1/2 - 13 x 1-1/4" [8 Req.]	S26914
800B	Capscrew, 5/8 - 11 x 1-1/2" [4 Req.]	S26999
800C	Capscrew, 3/8 - 16 1" [4 Req.]	S26826
801	Stud, 3/8 - 16 x 2-1/2" [2 Req.]	S04438
802	Nut, Hex 3/8 - 16 [2 Req.]	S23343
805	Washer, Lock	S23038
810A	Plug, Pipe 1/4 NPT [4 Req.]	S23715
810B	Plug, Pipe 1/2 NPT	S23717
811	Fitting, Grease	S23700

Table II

HP	PH	Bracket No.	"AK" Fit	"U" Dim.	Motor Frame
75	3	L05610	12-1/2"	1-5/8"	364JP

NOTE: For an explanation of the tabulated material found on this page and for impeller key location, refer to **Supplement A** located at the beginning of this section.



BERKELEY® B3EPBLS

Cast Iron Impeller

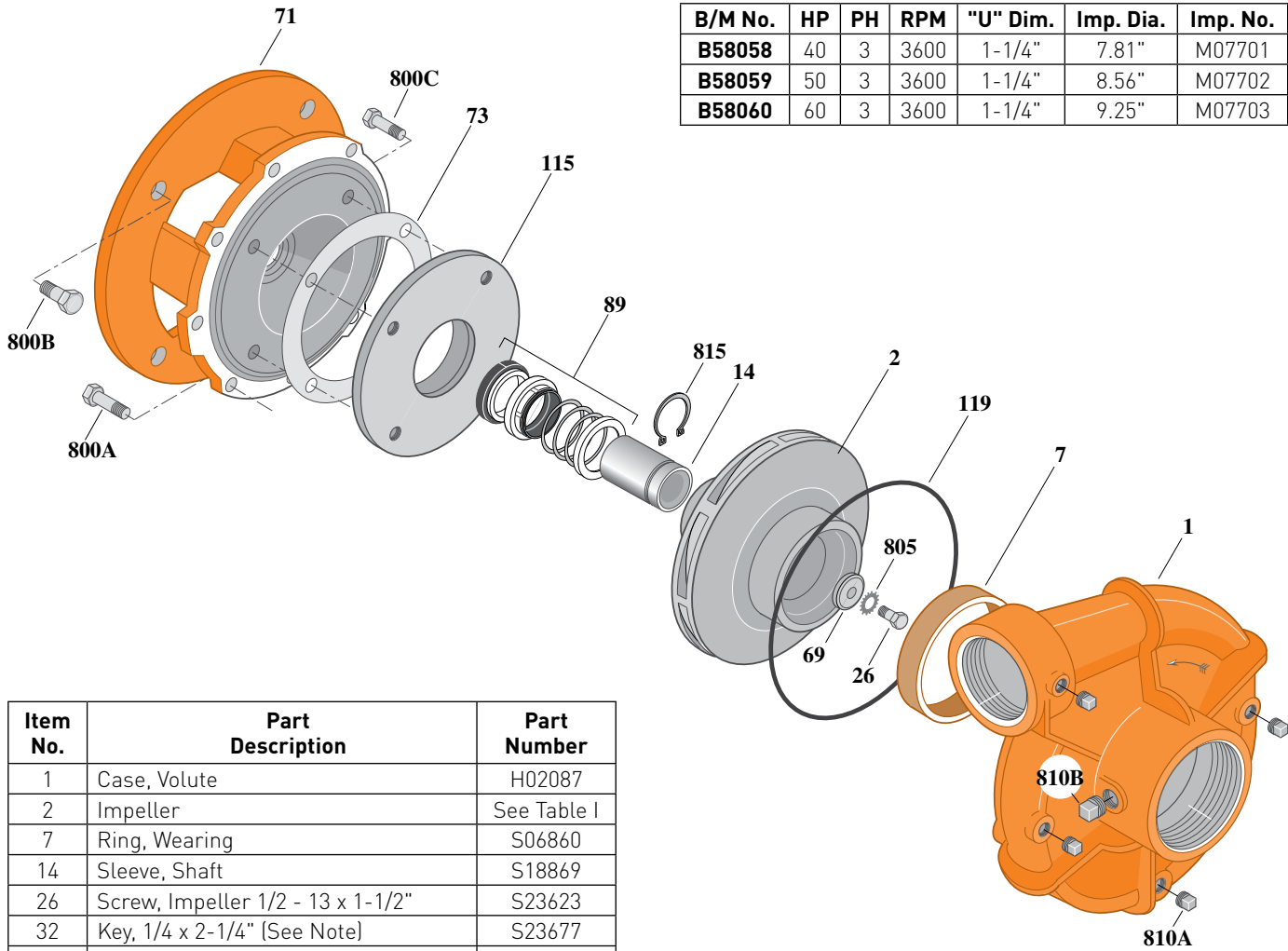
Threaded Case (NPT), Mechanical Shaft Seal Construction

ELECTRIC MOTOR DRIVE

Section	CC
Page	210.3
Date	March 4, 2013
Supersedes 01/01/04	

Table I

B/M No.	HP	PH	RPM	"U" Dim.	Imp. Dia.	Imp. No.
B58058	40	3	3600	1-1/4"	7.81"	M07701
B58059	50	3	3600	1-1/4"	8.56"	M07702
B58060	60	3	3600	1-1/4"	9.25"	M07703



Item No.	Part Description	Part Number
1	Case, Volute	H02087
2	Impeller	See Table I
7	Ring, Wearing	S06860
14	Sleeve, Shaft	S18869
26	Screw, Impeller 1/2 - 13 x 1-1/2"	S23623
32	Key, 1/4 x 2-1/4" (See Note)	S23677
69	Washer, Impeller	S18117
71	Bracket	See Table II
73	Gasket, Balance Ring	S09943
89	Seal, Mechanical Shaft	S32015
105	Washer, Lock	S23038
115	Ring, Balance	L05262
119	O-Ring	S13760
800A	Capscrew, 1/2 - 13 x 1-1/4" [8 Req.]	S26914
800B	Capscrew, 5/8 - 11 x 1-1/2" [4 Req.]	S26999
800C	Capscrew, 3/8 - 16 x 3/4" [4 Req.]	S26824
805	Washer, Lock	S23038
810A	Plug, Pipe 1/4 NPT [4 Req.]	S23715
810B	Plug, Pipe 1/2 NPT	S23717
815	Ring, Retaining	S16767

Table II

HP	PH	Bracket No.	"AK" Fit	"U" Dim.	Motor Frame
40	3	L04628	12-1/2"	1-1/4"	286JM
50	3	L04628	12-1/2"	1-1/4"	324JM
60	3	L04628	12-1/2"	1-1/4"	326JM

NOTE: For an explanation of the tabulated material found on this page and for impeller key location, refer to **Supplement A** located at the beginning of this section.



BERKELEY® B3EPBLS

Cast Iron Impeller

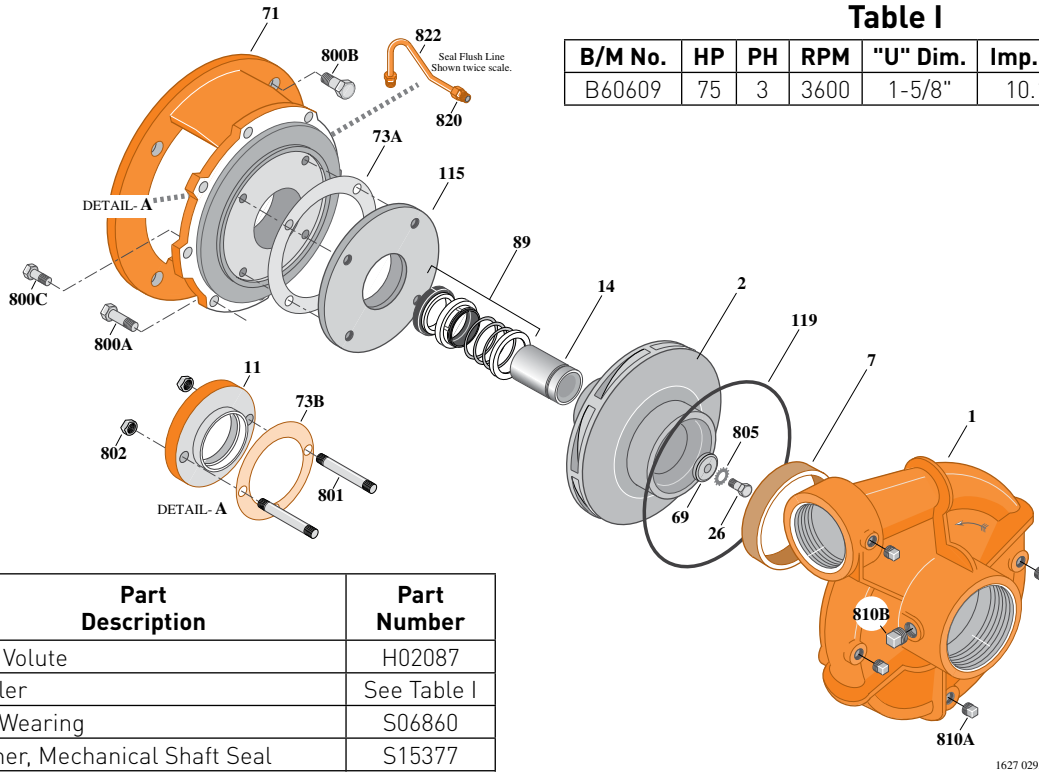
Threaded Case (NPT), Mechanical Shaft Seal Construction

ELECTRIC MOTOR DRIVE

Section	CC
Page	210.4
Date	March 4, 2013
Supersedes 01/01/04	

Table I

B/M No.	HP	PH	RPM	"U" Dim.	Imp. Dia.	Imp. No.
B60609	75	3	3600	1-5/8"	10.12"	L06116



Item No.	Part Description	Part Number
1	Case, Volute	H02087
2	Impeller	See Table I
7	Ring, Wearing	S06860
11	Retainer, Mechanical Shaft Seal	S15377
14	Sleeve, Shaft	S07073
26	Screw, Impeller 1/2 - 13 x 1-1/2"	S23623
32	Key, 3/8 x 2-1/4" (See Note)	S23940
69	Washer, Impeller	S18801
71	Bracket	See Table II
73A	Gasket, Balance Ring	S09943
73B	Gasket, Seal Retainer	S15078
89	Seal, Mechanical Shaft	S32016
115	Ring, Balance	L03697
119	O-Ring	S13760
800A	Capscrew, 1/2 - 13 x 1-1/4" [8 Req.]	S26914
800B	Capscrew, 5/8 - 11 x 1-3/4" [4 Req.]	S27001
800C	Capscrew, 3/8 - 16 x 1" [4 Req.]	S26826
801	Stud, 3/8 - 16 x 2-1/2" [2 Req.]	S04438
802	Nut, 3/8 - 16 [2 Req.]	S23343
805	Washer, Lock	S23038
810A	Plug, Pipe 1/4 NPT (4 Req.)	S23715
810B	Plug, Pipe 1/2 NPT	S23717
820	Connector, Comp. Fitting [2 Req.]	S24013
822	Tubing, Copper	S20677
•	Plug, Pipe 1/8 NPT (At Seal Bore)	S23714

Table II

HP	PH	Bracket No.	"AK" Fit	"U" Dim.	Motor Frame
75	3	L06315	12-1/2"	1-5/8"	364JP

NOTE: For an explanation of the tabulated material found on this page and for impeller key location, refer to **Supplement A** located at the beginning of this section.

• Not illustrated.



BERKELEY® B3EPBLS

Bronze Impeller

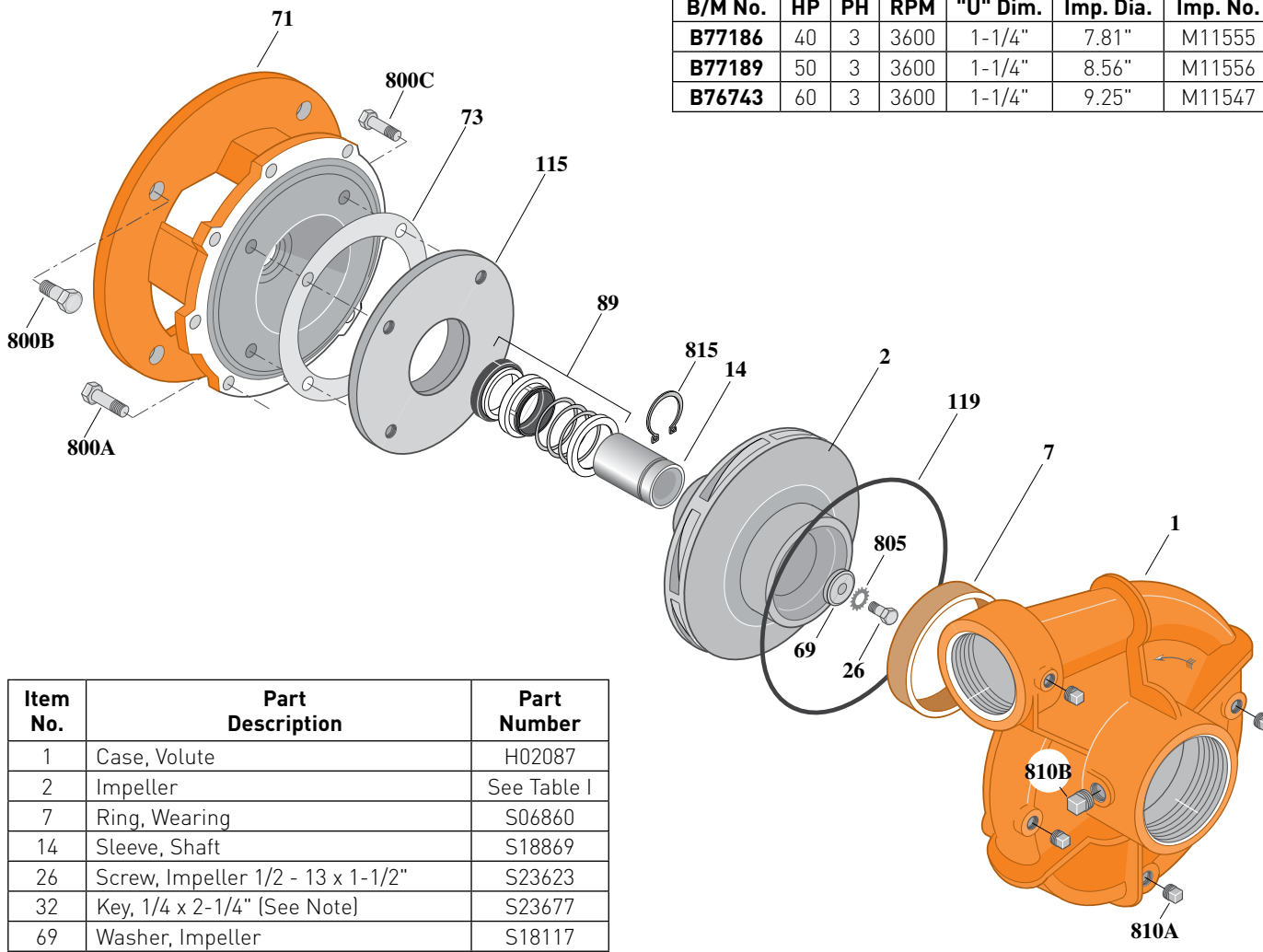
Threaded Case (NPT), Mechanical Shaft Seal Construction

ELECTRIC MOTOR DRIVE

Section	CC
Page	210.5
Date	March 4, 2013
Supersedes 01/01/04	

Table I

B/M No.	HP	PH	RPM	"U" Dim.	Imp. Dia.	Imp. No.
B77186	40	3	3600	1-1/4"	7.81"	M11555
B77189	50	3	3600	1-1/4"	8.56"	M11556
B76743	60	3	3600	1-1/4"	9.25"	M11547



Item No.	Part Description	Part Number
1	Case, Volute	H02087
2	Impeller	See Table I
7	Ring, Wearing	S06860
14	Sleeve, Shaft	S18869
26	Screw, Impeller 1/2 - 13 x 1-1/2"	S23623
32	Key, 1/4 x 2-1/4" [See Note]	S23677
69	Washer, Impeller	S18117
71	Bracket	See Table II
73	Gasket, Balance Ring	S09943
89	Seal, Mechanical Shaft	S32015
105	Washer, Lock	S23038
115	Ring, Balance	L05262
119	O-Ring	S13760
800A	Capscrew, 1/2 - 13 x 1-1/4" [8 Req.]	S26914
800B	Capscrew, 5/8 - 11 x 1-1/2" [4 Req.]	S26999
800C	Capscrew, 3/8 - 16 x 3/4" [4 Req.]	S26824
805	Washer, Lock	S23038
810A	Plug, Pipe 1/4 NPT [4 Req.]	S23715
810B	Plug, Pipe 1/2 NPT	S23717
815	Ring, Retaining	S16767

Table II

HP	PH	Bracket No.	"AK" Fit	"U" Dim.	Motor Frame
40	3	L04628	12-1/2"	1-1/4"	286JM
50	3	L04628	12-1/2"	1-1/4"	324JM
60	3	L04628	12-1/2"	1-1/4"	326JM

NOTE: For an explanation of the tabulated material found on this page and for impeller key location, refer to **Supplement A** located at the beginning of this section.



BERKELEY® B3EPBLS

Bronze Impeller

Threaded Case (NPT), Mechanical Shaft Seal Construction

ELECTRIC MOTOR DRIVE

Section	CC
Page	210.6
Date	March 4, 2013
Supersedes 01/01/04	

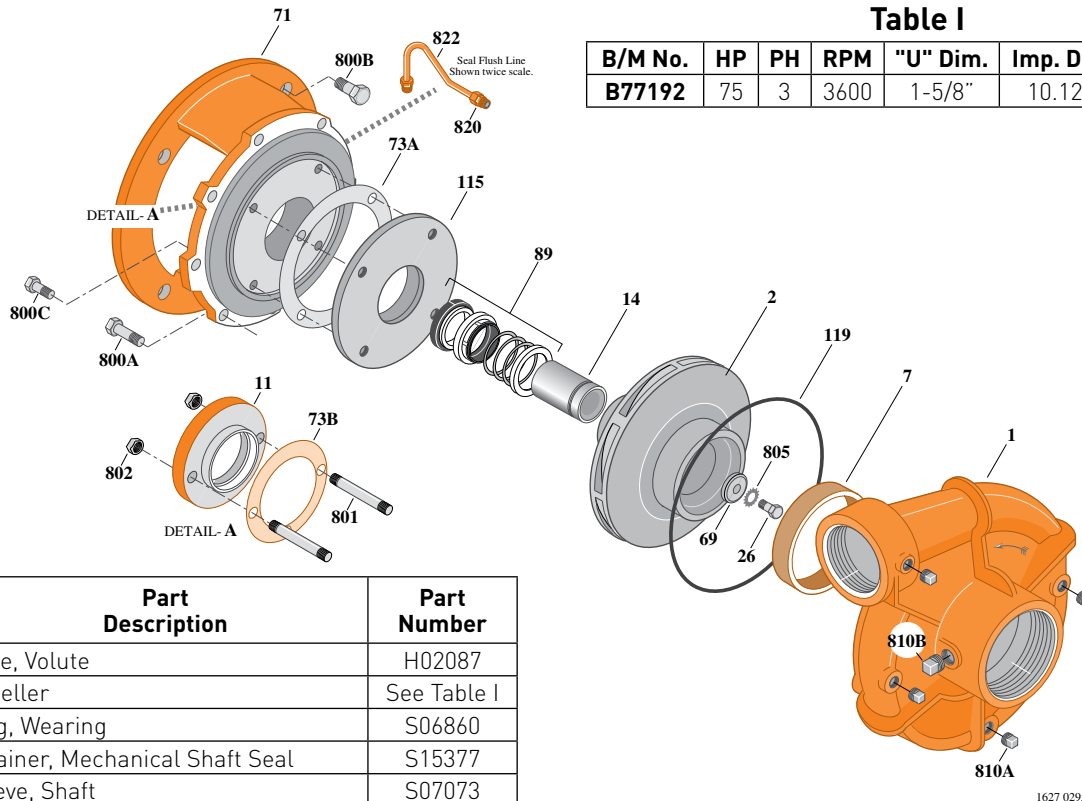


Table I

B/M No.	HP	PH	RPM	"U" Dim.	Imp. Dia.	Imp. No.
B77192	75	3	3600	1-5/8"	10.12"	M11554

Item No.	Part Description	Part Number
1	Case, Volute	H02087
2	Impeller	See Table I
7	Ring, Wearing	S06860
11	Retainer, Mechanical Shaft Seal	S15377
14	Sleeve, Shaft	S07073
26	Screw, Impeller 1/2 - 13 x 1-1/2"	S23623
32	Key, 3/8 x 2-1/4" (See Note)	S23940
69	Washer, Impeller	S18801
71	Bracket	See Table II
73A	Gasket, Balance Ring	S09943
73B	Gasket, Seal Retainer	S15078
89	Seal, Mechanical Shaft	S32016
115	Ring, Balance	L03697
119	O-Ring	S13760
800A	Capscrew, 1/2 - 13 x 1-1/4" (8 Req.)	S26914
800B	Capscrew, 5/8 - 11 x 1-3/4" (4 Req.)	S27001
800C	Capscrew, 3/8 - 16 x 1" (4 Req.)	S26826
801	Stud, 3/8 - 16 x 2-1/2" (2 Req.)	S04438
802	Nut, 3/8 - 16 (2 Req.)	S23343
805	Washer, Lock	S23038
810A	Plug, Pipe 1/4 NPT (4 Req.)	S23715
810B	Plug, Pipe 1/2 NPT	S23717
820	Connector, Comp. Fitting (2 Req.)	S24013
822	Tubing, Copper	S20677
•	Plug, Pipe 1/8 NPT (At Seal Bore)	S23714

Table II

HP	PH	Bracket No.	"AK" Fit	"U" Dim.	Motor Frame
75	3	L06315	12-1/2"	1-5/8"	364JP

NOTE: For an explanation of the tabulated material found on this page and for impeller key location, refer to **Supplement A** located at the beginning of this section.

• Not illustrated.



BERKELEY® B3EPBLS

Bronze Impeller

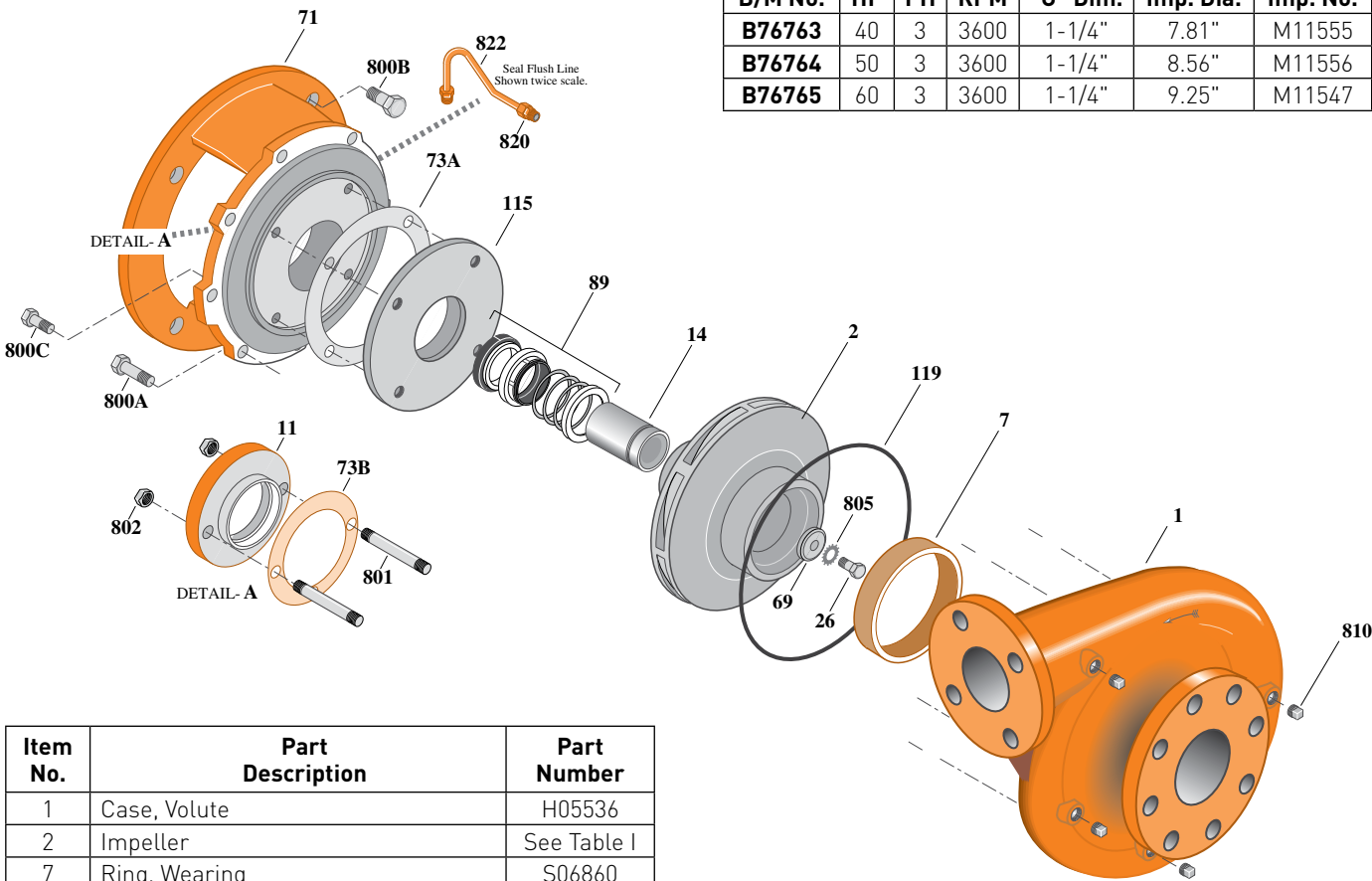
Flanged Case, Mechanical Shaft Seal Construction

ELECTRIC MOTOR DRIVE

Section	CC
Page	210.7
Date	March 4, 2013
Supersedes 01/01/04	

Table I

B/M No.	HP	PH	RPM	"U" Dim.	Imp. Dia.	Imp. No.
B76763	40	3	3600	1-1/4"	7.81"	M11555
B76764	50	3	3600	1-1/4"	8.56"	M11556
B76765	60	3	3600	1-1/4"	9.25"	M11547



1627 0295 FL

Item No.	Part Description	Part Number
1	Case, Volute	H05536
2	Impeller	See Table I
7	Ring, Wearing	S06860
14	Sleeve, Shaft	S18869
26	Screw, Impeller 1/2 - 13 x 1-1/2"	S23623
32	Key, 1/4 x 2-1/4" (See Note)	S23677
69	Washer, Impeller	S18117
71	Bracket	See Table II
73	Gasket, Balance Ring	S09943
89	Seal, Mechanical Shaft	S32015
105	Washer, Lock	S23038
115	Ring, Balance	L05262
119	O-Ring	S13760
800A	Capscrew, 1/2 - 13 x 1-1/4" [8 Req.]	S26914
800B	Capscrew, 5/8 - 11 x 1-1/2" [4 Req.]	S26999
800C	Capscrew, 3/8 - 16 x 3/4" [4 Req.]	S26824
805	Washer, Lock	S23038
810A	Plug, Pipe 1/4 NPT [4 Req.]	S23715
810B	Plug, Pipe 1/2 NPT	S23717
815	Ring, Retaining	S16767

Table II

HP	PH	Bracket No.	"AK" Fit	"U" Dim.	Motor Frame
40	3	L04628	12-1/2"	1-1/4"	286JM
50	3	L04628	12-1/2"	1-1/4"	324JM
60	3	L04628	12-1/2"	1-1/4"	326JM

NOTE: For an explanation of the tabulated material found on this page and for impeller key location, refer to **Supplement A** located at the beginning of this section.



BERKELEY® B3EPBLS

Bronze Impeller

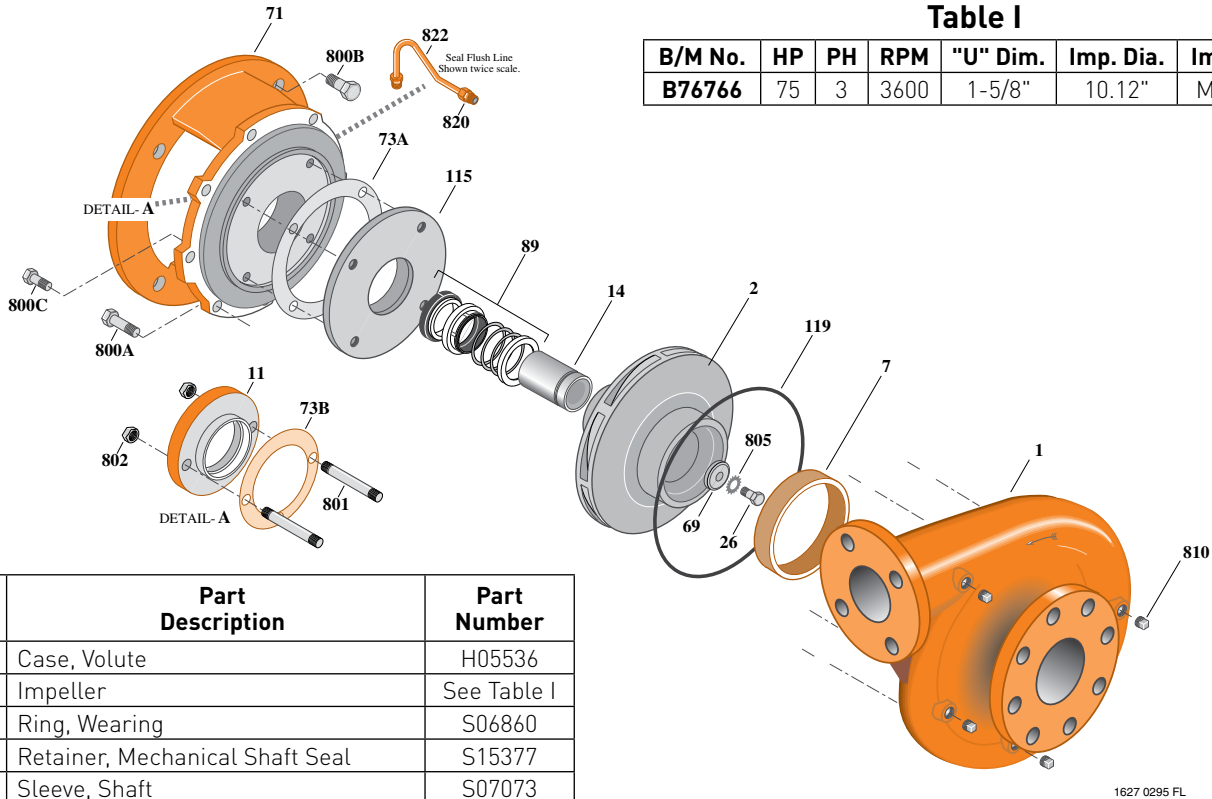
Flanged Case, Mechanical Shaft Seal Construction

ELECTRIC MOTOR DRIVE

Section	CC
Page	210.8
Date	March 4, 2013
Supersedes 01/01/04	

Table I

B/M No.	HP	PH	RPM	"U" Dim.	Imp. Dia.	Imp. No.
B76766	75	3	3600	1-5/8"	10.12"	M11554



Item No.	Part Description	Part Number
1	Case, Volute	H05536
2	Impeller	See Table I
7	Ring, Wearing	S06860
11	Retainer, Mechanical Shaft Seal	S15377
14	Sleeve, Shaft	S07073
26	Screw, Impeller 1/2 - 13 x 1-1/2"	S23623
32	Key, 3/8 x 2-1/4" (See Note)	S23940
69	Washer, Impeller	S18801
71	Bracket	See Table II
73A	Gasket, Balance Ring	S09943
73B	Gasket, Seal Retainer	S15078
89	Seal, Mechanical Shaft	S32016
115	Ring, Balance	L03697
119	O-Ring	S13760
800A	Capscrew, 1/2 - 13 x 1-1/4" (8 Req.)	S26914
800B	Capscrew, 5/8 - 11 x 1-3/4" (4 Req.)	S27001
800C	Capscrew, 3/8 - 16 x 1" (4 Req.)	S26826
801	Stud, 3/8 - 16 x 2-1/2" (2 Req.)	S04438
802	Nut, 3/8 - 16 (2 Req.)	S23343
805	Washer, Lock	S23038
810A	Plug, Pipe 1/4 NPT (4 Req.)	S23715
810B	Plug, Pipe 1/2 NPT	S23717
820	Connector, Comp. Fitting (2 Req.)	S24013
822	Tubing, Copper	S20677
•	Plug, Pipe 1/8 NPT (At Seal Bore)	S23714

• Not illustrated.

Table II

HP	PH	Bracket No.	"AK" Fit	"U" Dim.	Motor Frame
75	3	L06315	12-1/2"	1-5/8"	364JP

NOTE: For an explanation of the tabulated material found on this page and for impeller key location, refer to **Supplement A** located at the beginning of this section.



BERKELEY® B3EPM

Cast Iron Impeller

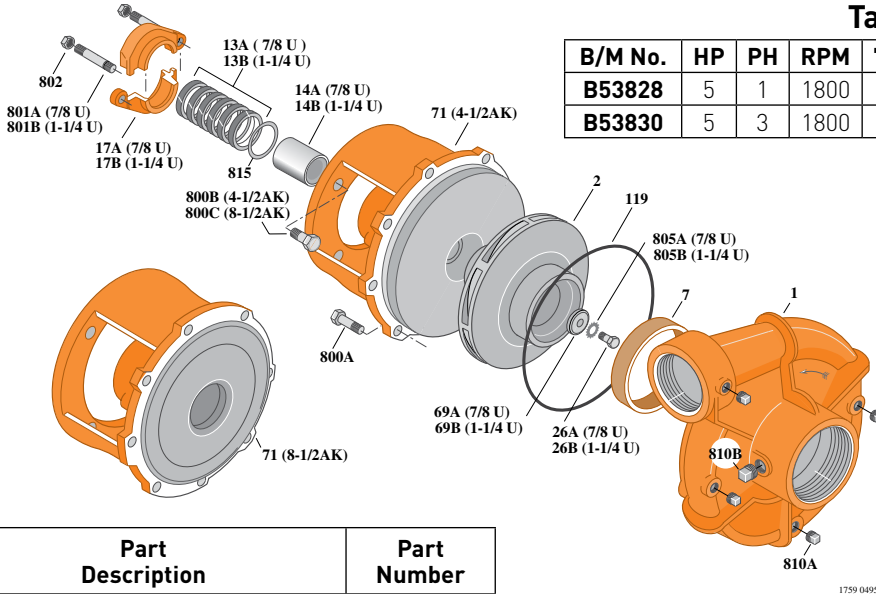
Threaded Case (NPT), Packing Construction

ELECTRIC MOTOR DRIVE

Section	CC
Page	220.1
Date	March 4, 2013
Supersedes 01/01/04	

Table I

B/M No.	HP	PH	RPM	"U" Dim.	Imp. Dia.	Imp. No.
B53828	5	1	1800	1-1/4"	7.69"	M07697
B53830	5	3	1800	7/8"	7.69"	M07698



Item No.	Part Description	Part Number
1	Case, Volute	H02087
2	Impeller	See Table I
7	Ring, Wearing	S13045
13A	Rings, Packing [Set of 7]	S15094
13B	Rings, Packing [Set of 6]	S13470
14A	Sleeve, Shaft [2 Req.]	S00619
14B	Sleeve, Shaft	S05149
17A	Gland, Packing	B82469
17B	Gland, Packing	B82470
26A	Screw, Impeller 3/8 - 16 x 1-1/4"	S23568
26B	Screw, Impeller 1/2 - 13 x 1-3/4"	S23625
32A	Key, 3/16 x 1-1/4" [See Note]	S34383
32B	Key, 1/4 x 2-1/4" [See Note]	S23677
69A	Washer, Impeller	S06314
69B	Washer, Impeller	S06319
71	Bracket	See Table II
119	O-Ring	S13760
800A	Capscrew, 1/2 - 13 x 1-1/4" [8 Req.]	S26914
800B	Capscrew, 3/8 - 16 x 1" [4 Req.]	S26826
800C	Capscrew, 1/2 - 13 x 1-1/2" [4 Req.]	S26916
801A	Stud, 3/8 - 16 x 3" [2 Req.]	S04439
801B	Stud, 3/8 - 16 x 2-1/2" [2 Req.]	S04438
802	Nut, Hex 3/8 - 16 [2 Req.]	S23343
805A	Washer, Lock	S23026
805B	Washer, Lock	S23038
810A	Plug, Pipe 1/4 NPT [4 Req.]	S23715
810B	Plug, Pipe 1/2 NPT	S23717
815	Ring, Retainer	S08778

Table II

HP	PH	Bracket No.	"AK" Fit	"U" Dim.	Motor Frame
5	1	L03637	8-1/2"	1-1/4"	213JP
5	3	L05114	4-1/2"	7/8"	184JP

NOTE: For an explanation of the tabulated material found on this page and for impeller key location, refer to **Supplement A** located at the beginning of this section.



BERKELEY® B3EPM

Cast Iron Impeller

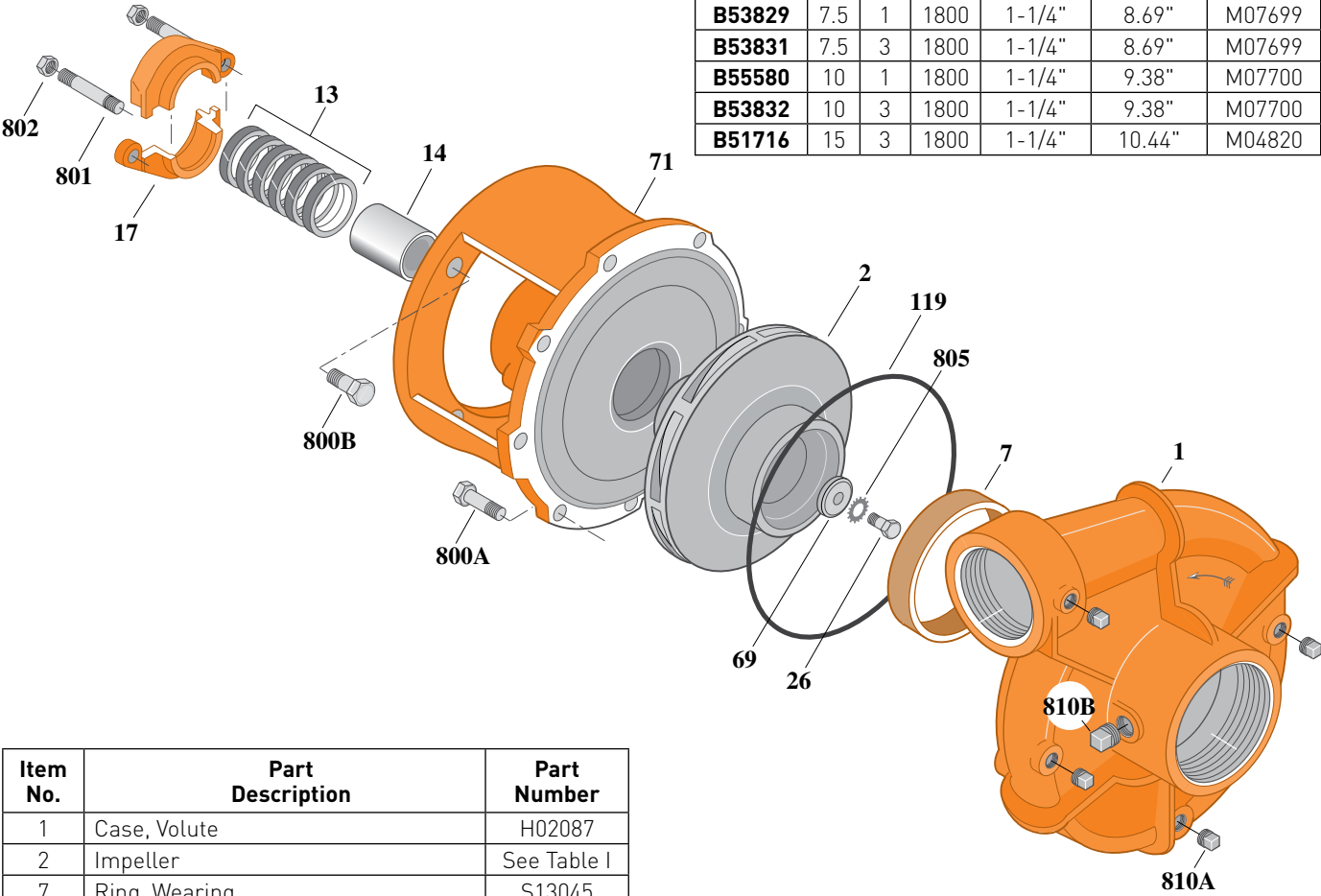
Threaded Case (NPT), Packing Construction

ELECTRIC MOTOR DRIVE

Section	CC
Page	220.2
Date	March 4, 2013
Supersedes 01/01/04	

Table I

B/M No.	HP	PH	RPM	"U" Dim.	Imp. Dia.	Imp. No.
B53829	7.5	1	1800	1-1/4"	8.69"	M07699
B53831	7.5	3	1800	1-1/4"	8.69"	M07699
B55580	10	1	1800	1-1/4"	9.38"	M07700
B53832	10	3	1800	1-1/4"	9.38"	M07700
B51716	15	3	1800	1-1/4"	10.44"	M04820



1759A 0495

Item No.	Part Description	Part Number
1	Case, Volute	H02087
2	Impeller	See Table I
7	Ring, Wearing	S13045
13	Rings, Packing (Set of 6)	S13470
14	Sleeve, Shaft	S05149
17	Gland, Packing	B82470
26	Screw, Impeller 1/2 - 13 x 1-3/4"	S23625
32	Key, 1/4 x 2-1/4" (See Note)	S23677
69	Washer, Impeller	S06319
71	Bracket	See Table II
119	O-Ring	S13760
800A	Capscrew, 1/2 - 13 x 1-1/4" [8 Req.]	S26914
800B	Capscrew, 1/2 - 13 x 1-1/2" [4 Req.]	S26916
801	Stud, 3/8 - 16 x 2-1/2" [2 Req.]	S04438
802	Nut, Hex 3/8 - 16 [2 Req.]	S23343
805	Washer, Lock	S23038
810A	Plug, Pipe 1/4 NPT [4 Req.]	S23715
810B	Plug, Pipe 1/2 NPT	S23717

Table II

HP	PH	Bracket No.	"AK" Fit	"U" Dim.	Motor Frame
7.5	1	L03637	8-1/2"	1-1/4"	215JP
7.5	3	L03637	8-1/2"	1-1/4"	213JP
10	1	L03637	8-1/2"	1-1/4"	215JP
10	3	L03637	8-1/2"	1-1/4"	215JP
15	3	L03637	8-1/2"	1-1/4"	254JP

NOTE: For an explanation of the tabulated material found on this page and for impeller key location, refer to **Supplement A** located at the beginning of this section.



BERKELEY® B3EPMS

Cast Iron Impeller

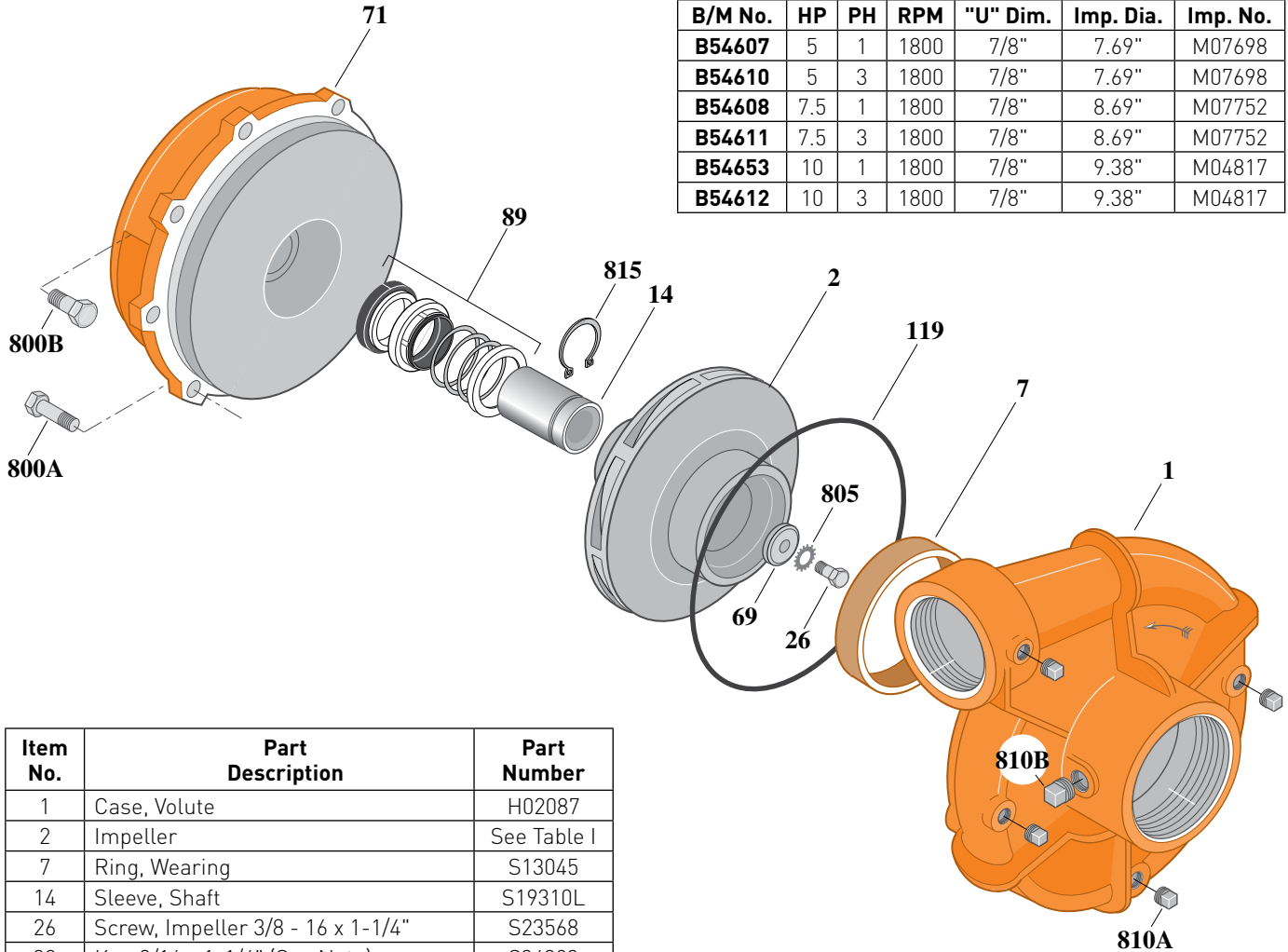
Threaded Case (NPT), Mechanical Shaft Seal Construction

ELECTRIC MOTOR DRIVE

Section	CC
Page	220.3
Date	March 4, 2013
Supersedes 01/01/04	

Table I

B/M No.	HP	PH	RPM	"U" Dim.	Imp. Dia.	Imp. No.
B54607	5	1	1800	7/8"	7.69"	M07698
B54610	5	3	1800	7/8"	7.69"	M07698
B54608	7.5	1	1800	7/8"	8.69"	M07752
B54611	7.5	3	1800	7/8"	8.69"	M07752
B54653	10	1	1800	7/8"	9.38"	M04817
B54612	10	3	1800	7/8"	9.38"	M04817



1628 0295

Item No.	Part Description	Part Number
1	Case, Volute	H02087
2	Impeller	See Table I
7	Ring, Wearing	S13045
14	Sleeve, Shaft	S19310L
26	Screw, Impeller 3/8 - 16 x 1-1/4"	S23568
32	Key, 3/16 x 1-1/4" [See Note]	S34383
69	Washer, Impeller	S06314
71	Bracket	See Table II
89	Seal, Mechanical Shaft	S32014
119	O-Ring	S13760
800A	Capscrew, 1/2 - 13 x 1-1/4" [8 Req.]	S26914
800B	Capscrew, 1/2 - 13 x 1"	
	[For 8-1/2 AK]	S26912
800B	Capscrew, 3/8 - 16 x 1"	
	[For 4-1/2 AK]	S26826
805	Washer, Lock	S23036
810A	Plug, Pipe 1/4 NPT [4 Req.]	S23715
810B	Plug, Pipe 1/2 NPT	S23717
815	Ring, Retaining	S11207

Table II

HP	PH	Bracket No.	"AK" Fit	"U" Dim.	Motor Frame
5	1	L05334	8-1/2"	7/8"	213JM
5	3	L05335	4-1/2"	7/8"	184JM
7.5	1	L05334	8-1/2"	7/8"	215JM
7.5	3	L05334	8-1/2"	7/8"	213JM
10	1	L05334	8-1/2"	7/8"	215JM
10	3	L05334	8-1/2"	7/8"	215JM

NOTE: For an explanation of the tabulated material found on this page and for impeller key location, refer to **Supplement A** located at the beginning of this section.



BERKELEY® B3EPMS

Cast Iron Impeller

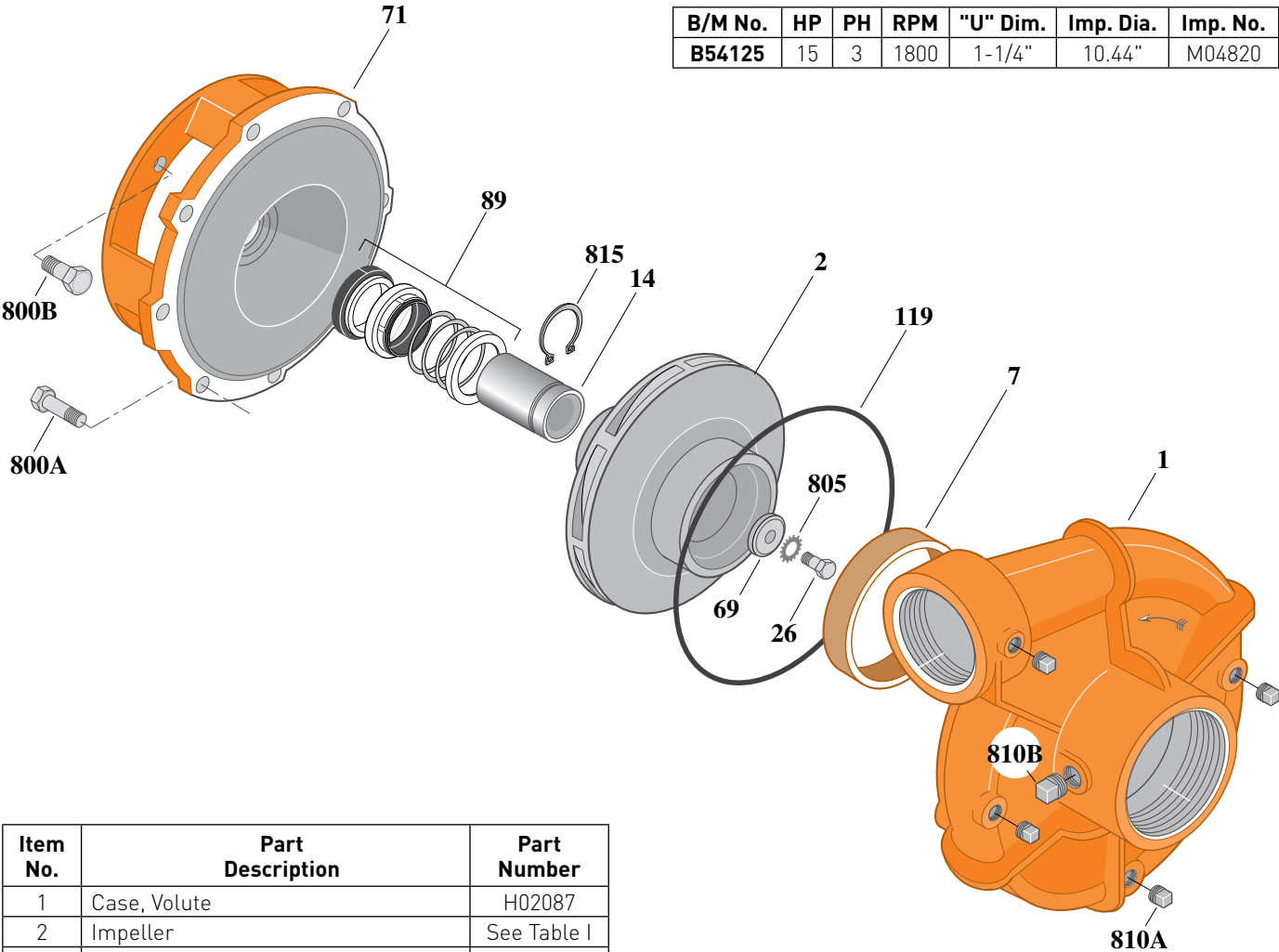
Threaded Case (NPT), Mechanical Shaft Seal Construction

ELECTRIC MOTOR DRIVE

Section	CC
Page	220.4
Date	March 4, 2013
Supersedes 01/01/04	

Table I

B/M No.	HP	PH	RPM	"U" Dim.	Imp. Dia.	Imp. No.
B54125	15	3	1800	1-1/4"	10.44"	M04820



1629 0295

Item No.	Part Description	Part Number
1	Case, Volute	H02087
2	Impeller	See Table I
7	Ring, Wearing	S13045
14	Sleeve, Shaft	S18869
26	Screw, Impeller 1/2 - 13 x 1-3/4"	S23625
32	Key, 1/4 x 2-1/4" (See Note)	S23677
69	Washer, Impeller	S06319
71	Bracket	See Table II
89	Seal, Mechanical Shaft	S32015
119	O-Ring	S13760
800A	Capscrew, 1/2 - 13 x 1-1/4" [8 Req.]	S26914
800B	Capscrew, 1/2 - 13 x 1" [4 Req.]	S26912
805	Washer, Lock	S23038
810A	Plug, Pipe 1/4 NPT [4 Req.]	S23715
810B	Plug, Pipe 1/2 NPT	S23717
815	Ring, Retaining	S16767

Table II

HP	PH	Bracket No.	"AK" Fit	"U" Dim.	Motor Frame
15	3	L04616	8-1/2"	1-1/4"	254JM

NOTE: For an explanation of the tabulated material found on this page and for impeller key location, refer to **Supplement A** located at the beginning of this section.



BERKELEY® B3JPBL

Cast Iron Impeller

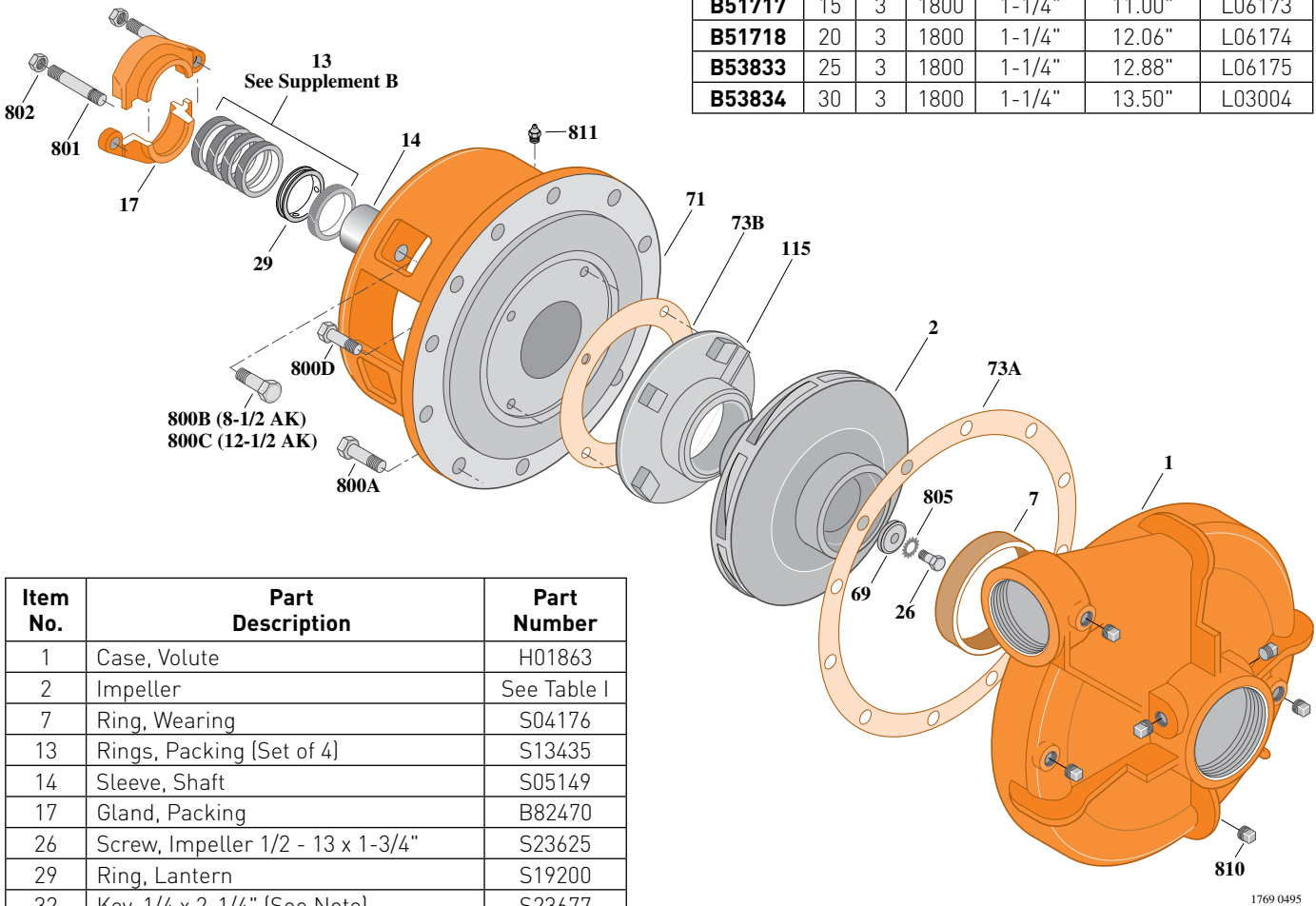
Threaded Case (NPT), Packing Construction

ELECTRIC MOTOR DRIVE

Section	CC
Page	230.1
Date	March 4, 2013
Supersedes 01/01/04	

Table I

B/M No.	HP	PH	RPM	"U" Dim.	Imp. Dia.	Imp. No.
B51717	15	3	1800	1-1/4"	11.00"	LO6173
B51718	20	3	1800	1-1/4"	12.06"	LO6174
B53833	25	3	1800	1-1/4"	12.88"	LO6175
B53834	30	3	1800	1-1/4"	13.50"	LO3004



Item No.	Part Description	Part Number
1	Case, Volute	H01863
2	Impeller	See Table I
7	Ring, Wearing	S04176
13	Rings, Packing (Set of 4)	S13435
14	Sleeve, Shaft	S05149
17	Gland, Packing	B82470
26	Screw, Impeller 1/2 - 13 x 1-3/4"	S23625
29	Ring, Lantern	S19200
32	Key, 1/4 x 2-1/4" (See Note)	S23677
69	Washer, Impeller	S06319
71	Bracket	See Table II
73A	Gasket, Volute	S06271
73B	Gasket, Balance Ring	S09943
115	Ring, Balance	M05115
800A	Capscrew, 5/8 - 11 x 1-1/2" [12 Req.]	S26999
800B	Capscrew, 1/2 - 13 x 1-1/2" [4 Req.]	S26916
800C	Capscrew, 3/8 - 16 x 1-1/2" [4 Req.]	S26830
802	Nut, Hex 3/8 - 16 [2 Req.]	S23343
801	Stud, 3/8 - 16 x 2-1/2" [2 Req.]	S04438
805	Washer, Lock	S23038
810	Plug, Pipe 1/2 NPT [6 Req.]	S23717
811	Fitting, Grease	S23700
812	Elbow, Street	S25421

Table II

HP	PH	Bracket No.	"AK" Fit	"U" Dim.	Motor Frame
15	3	H02384	8-1/2"	1-1/4"	254JP
20	3	H02384	8-1/2"	1-1/4"	256JP
25	3	H01601	12-1/2"	1-1/4"	284JP
30	3	H01601	12-1/2"	1-1/4"	286JP

NOTE: For an explanation of the tabulated material found on this page and for impeller key location, refer to **Supplement A** located at the beginning of this section.



BERKELEY® B3JPBLS

Cast Iron Impeller

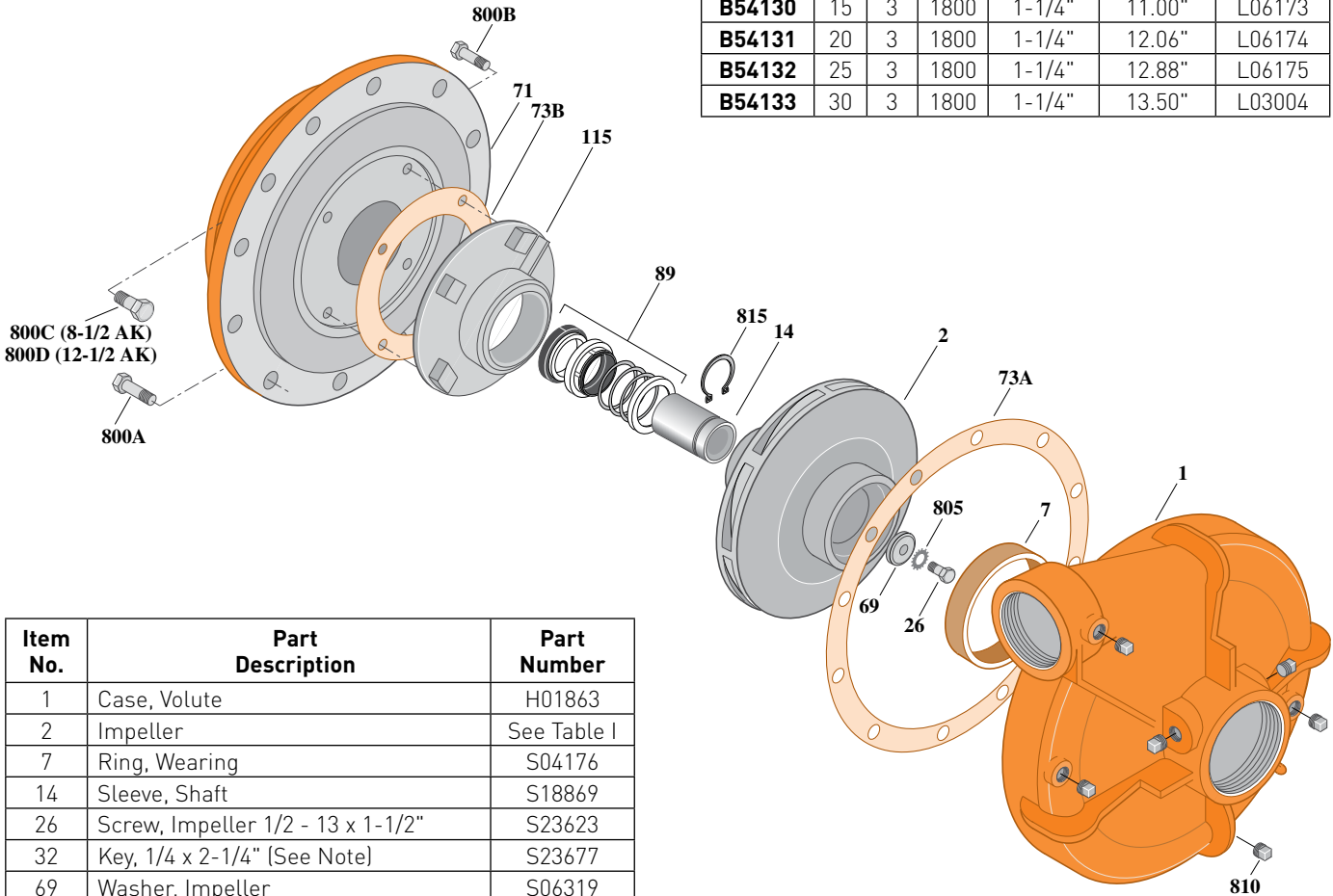
Threaded Case (NPT), Mechanical Shaft Seal Construction

ELECTRIC MOTOR DRIVE

Section	CC
Page	230.2
Date	March 4, 2013
Supersedes 01/01/04	

Table I

B/M No.	HP	PH	RPM	"U" Dim.	Imp. Dia.	Imp. No.
B54130	15	3	1800	1-1/4"	11.00"	L06173
B54131	20	3	1800	1-1/4"	12.06"	L06174
B54132	25	3	1800	1-1/4"	12.88"	L06175
B54133	30	3	1800	1-1/4"	13.50"	L03004



1692 0295

Item No.	Part Description	Part Number
1	Case, Volute	H01863
2	Impeller	See Table I
7	Ring, Wearing	S04176
14	Sleeve, Shaft	S18869
26	Screw, Impeller 1/2 - 13 x 1-1/2"	S23623
32	Key, 1/4 x 2-1/4" [See Note]	S23677
69	Washer, Impeller	S06319
71	Bracket	See Table II
73A	Gasket, Volute Case	S06271
73B	Gasket, Balance Ring	S09943
89	Seal, Mechanical Shaft	S32015
115	Ring, Balance	M06646
800A	Capscrew, 5/8 - 11 x 1-1/2" (12 Req.) [8-1/2 AK]	S26999
800A	Capscrew, 5/8 - 11 x 1-1/2" (16 Req.) [12-1/2 AK]	S26999
800B	Capscrew, 1/2 - 13 x 1-1/2" (4 Req.) [8-1/2 AK Only]	S26916
800C	Capscrew, 3/8 - 16 x 1" (4 Req.)	S26826
805	Washer, Lock	S23038
810	Plug, Pipe 1/2 NPT (6 Req.)	S23717
815	Ring, Retaining	S16767

Table II

HP	PH	Bracket No.	"AK" Fit	"U" Dim.	Motor Frame
15	3	H03300	8-1/2"	1-1/4"	254JM
20	3	H03300	8-1/2"	1-1/4"	256JM
25	3	H03301	12-1/2"	1-1/4"	284JM
30	3	H03301	12-1/2"	1-1/4"	286JM

NOTE: For an explanation of the tabulated material found on this page and for impeller key location, refer to **Supplement A** located at the beginning of this section.



BERKELEY® B3JPBL

Silicon Bronze Impeller

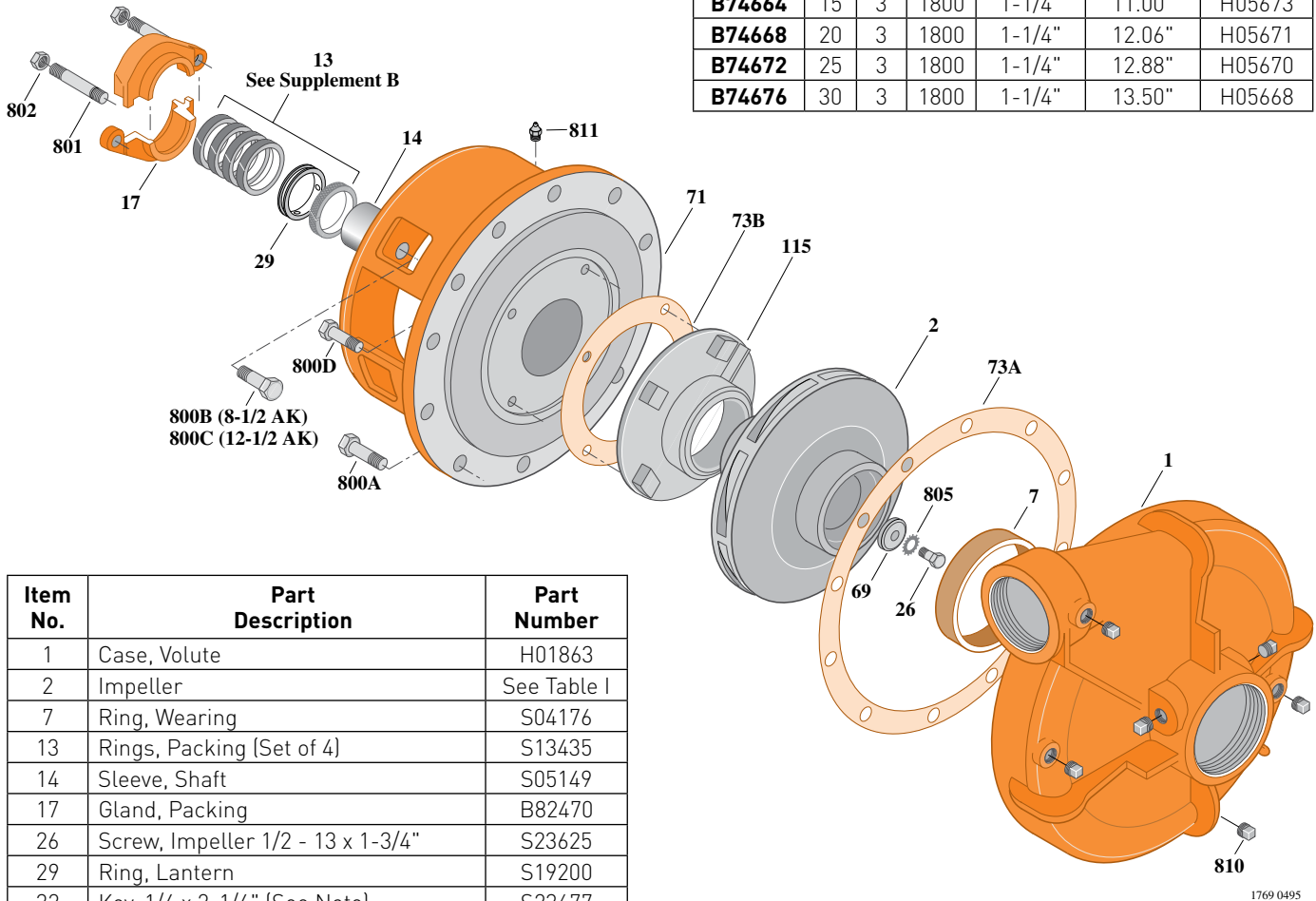
Threaded Case (NPT), Packing Construction

ELECTRIC MOTOR DRIVE

Section	CC
Page	230.3
Date	March 4, 2013
Supersedes 01/01/04	

Table I

B/M No.	HP	PH	RPM	"U" Dim.	Imp. Dia.	Imp. No.
B74664	15	3	1800	1-1/4"	11.00"	H05673
B74668	20	3	1800	1-1/4"	12.06"	H05671
B74672	25	3	1800	1-1/4"	12.88"	H05670
B74676	30	3	1800	1-1/4"	13.50"	H05668



Item No.	Part Description	Part Number
1	Case, Volute	H01863
2	Impeller	See Table I
7	Ring, Wearing	S04176
13	Rings, Packing [Set of 4]	S13435
14	Sleeve, Shaft	S05149
17	Gland, Packing	B82470
26	Screw, Impeller 1/2 - 13 x 1-3/4"	S23625
29	Ring, Lantern	S19200
32	Key, 1/4 x 2-1/4" [See Note]	S23677
69	Washer, Impeller	S06319
71	Bracket	See Table II
73A	Gasket, Volute	S06271
73B	Gasket, Balance Ring	S09943
115	Ring, Balance	M05115
800A	Capscrew, 5/8 - 11 x 1-1/2" [12 Req.]	S26999
800B	Capscrew, 1/2 - 13 x 1-1/2" [4 Req.]	S26916
800C	Capscrew, 5/8 - 11 x 1-1/2" [4 Req.]	S26999
800D	Capscrew, 3/8 - 16 x 1-1/2" [4 Req.]	S26830
802	Nut, Hex 3/8 - 16 [2 Req.]	S23343
801	Stud, 3/8 - 16 x 2-1/2" [2 Req.]	S04438
805	Washer, Lock	S23038
810	Plug, Pipe 1/2" NPT [6 Req.]	S23717
811	Fitting, Grease	S23700

Table II

HP	PH	Bracket No.	"AK" Fit	"U" Dim.	Motor Frame
15	3	H02384	8-1/2"	1-1/4"	254JP
20	3	H02384	8-1/2"	1-1/4"	256JP
25	3	H01601	12-1/2"	1-1/4"	284JP
30	3	H01601	12-1/2"	1-1/4"	286JP

NOTE: For an explanation of the tabulated material found on this page and for impeller key location, refer to **Supplement A** located at the beginning of this section.



BERKELEY® B3JPBLS Silicon Bronze Impeller

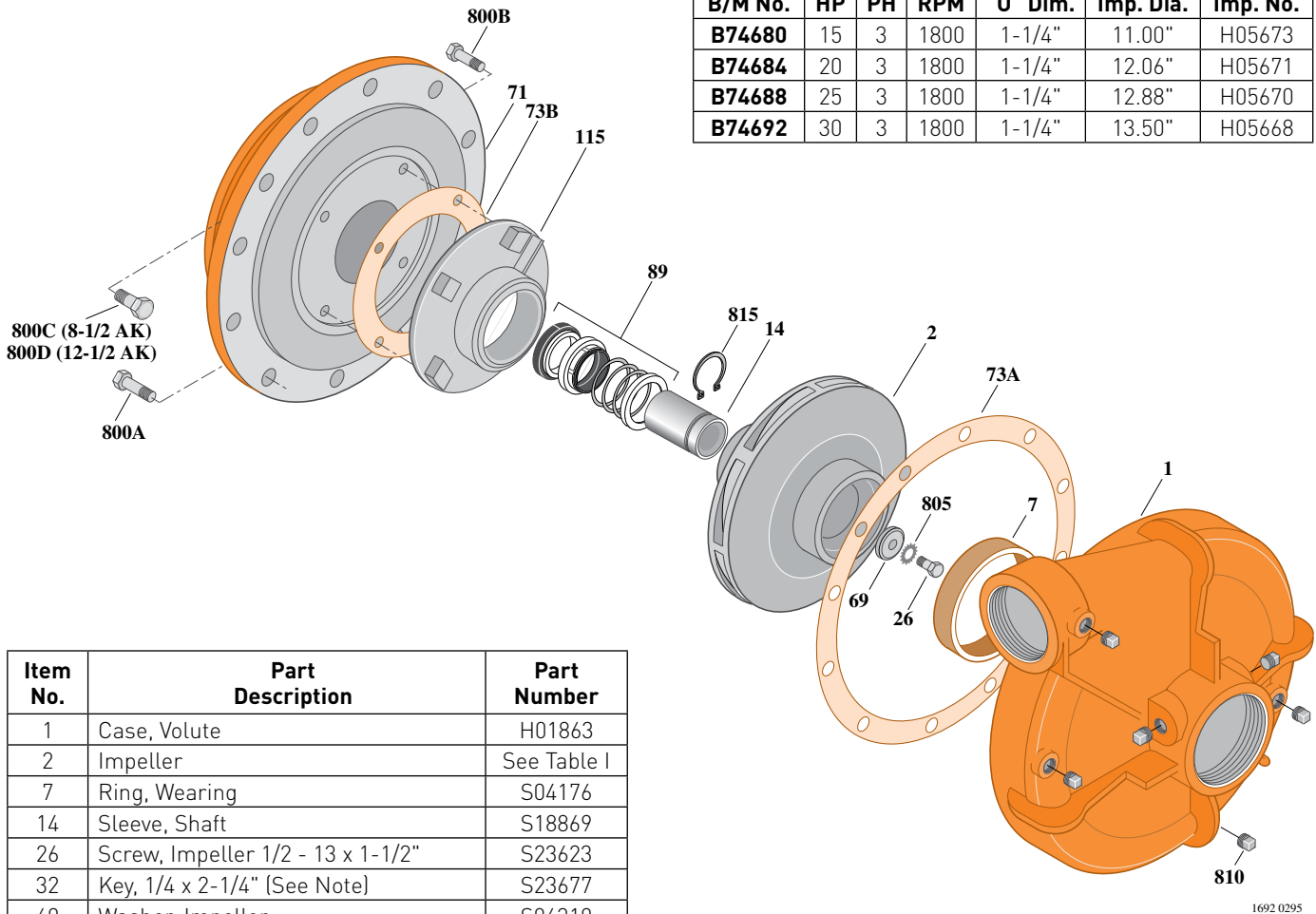
Threaded Case (NPT), Mechanical Shaft Seal Construction

ELECTRIC MOTOR DRIVE

Section	CC
Page	230.4
Date	March 4, 2013
Supersedes 01/01/04	

Table I

B/M No.	HP	PH	RPM	"U" Dim.	Imp. Dia.	Imp. No.
B74680	15	3	1800	1-1/4"	11.00"	H05673
B74684	20	3	1800	1-1/4"	12.06"	H05671
B74688	25	3	1800	1-1/4"	12.88"	H05670
B74692	30	3	1800	1-1/4"	13.50"	H05668



Item No.	Part Description	Part Number
1	Case, Volute	H01863
2	Impeller	See Table I
7	Ring, Wearing	S04176
14	Sleeve, Shaft	S18869
26	Screw, Impeller 1/2 - 13 x 1-1/2"	S23623
32	Key, 1/4 x 2-1/4" [See Note]	S23677
69	Washer, Impeller	S06319
71	Bracket	See Table II
73A	Gasket, Volute Case	S06271
73B	Gasket, Balance Ring	S09943
89	Seal, Mechanical Shaft	S32015
115	Ring, Balance	M06646
800A	Capscrew, 5/8 - 11 x 1-1/2" [12 Req.]	S26999
800B	Capscrew, 3/8 - 16 x 1" [4 Req.]	S26826
800C	Capscrew, 1/2 - 13 x 1-1/2" [4 Req.]	S26916
800D	Capscrew, 5/8 - 11 x 1-1/2" [4 Req.]	S26999
805	Washer, Lock	S23038
810	Plug, Pipe 1/2" NPT [6 Req.]	S23717
815	Ring, Retaining	S16767
•	Plug, Pipe 1/8" NPT (In Bracket)	S23714

• Not illustrated.

Table II

HP	PH	Bracket No.	"AK" Fit	"U" Dim.	Motor Frame
15	3	H03300	8-1/2"	1-1/4"	254JM
20	3	H03300	8-1/2"	1-1/4"	256JM
25	3	H03301	12-1/2"	1-1/4"	284JM
30	3	H03301	12-1/2"	1-1/4"	286JM

NOTE 1: For an explanation of the tabulated material found on this page and for impeller key location, refer to **Supplement A** located at the beginning of this section.

NOTE 2: For seal flush line details, see **Supplement D**.



BERKELEY® B3JPBM

Cast Iron Impeller

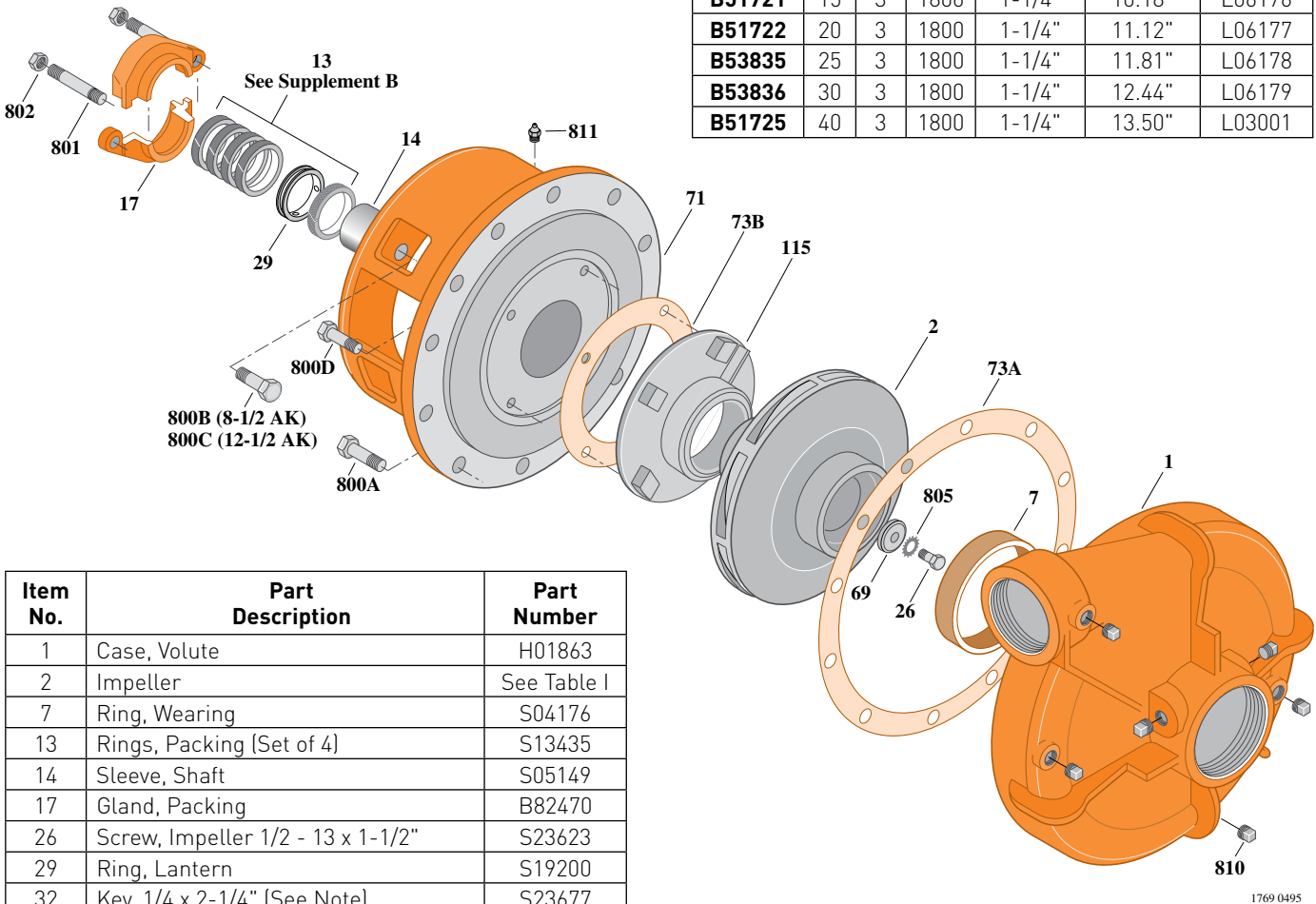
Threaded Case (NPT), Packing Construction

ELECTRIC MOTOR DRIVE

Section	CC
Page	240.1
Date	March 4, 2013
Supersedes 01/01/04	

Table I

B/M No.	HP	PH	RPM	"U" Dim.	Imp. Dia.	Imp. No.
B51721	15	3	1800	1-1/4"	10.18"	LO6176
B51722	20	3	1800	1-1/4"	11.12"	LO6177
B53835	25	3	1800	1-1/4"	11.81"	LO6178
B53836	30	3	1800	1-1/4"	12.44"	LO6179
B51725	40	3	1800	1-1/4"	13.50"	LO3001



Item No.	Part Description	Part Number
1	Case, Volute	H01863
2	Impeller	See Table I
7	Ring, Wearing	S04176
13	Rings, Packing [Set of 4]	S13435
14	Sleeve, Shaft	S05149
17	Gland, Packing	B82470
26	Screw, Impeller 1/2 - 13 x 1-1/2"	S23623
29	Ring, Lantern	S19200
32	Key, 1/4 x 2-1/4" [See Note]	S23677
69	Washer, Impeller	S06319
71	Bracket	See Table II
73A	Gasket, Volute	S06271
73B	Gasket, Balance Ring	S09943
115	Ring, Balance	M05115
800A	Capscrew, 5/8 - 11 x 1-1/2" [12 Req.]	S26999
800B	Capscrew, 1/2 - 13 x 1-1/2" [4 Req.]	S26916
800C	Capscrew, 3/8 - 16 x 1-1/2" [4 Req.]	S26830
801	Stud, 3/8 - 16 x 2-1/2" [2 Req.]	S04438
802	Nut, Hex 3/8 - 16 [2 Req.]	S23343
805	Washer, Lock	S23038
810	Plug, Pipe 1/2 NPT [6 Req.]	S23717
811	Fitting, Grease	S23700
812	Elbow, Street	S25421

Table II

HP	PH	Bracket No.	"AK" Fit	"U" Dim.	Motor Frame
15	3	H02384	8-1/2"	1-1/4"	254JP
20	3	H02384	8-1/2"	1-1/4"	256JP
25	3	H01601	12-1/2"	1-1/4"	284JP
30	3	H01601	12-1/2"	1-1/4"	286JP
40	3	H01601	12-1/2"	1-1/4"	324JP

NOTE: For an explanation of the tabulated material found on this page and for impeller key location, refer to **Supplement A** located at the beginning of this section.



BERKELEY® B3JPBMS

Cast Iron Impeller

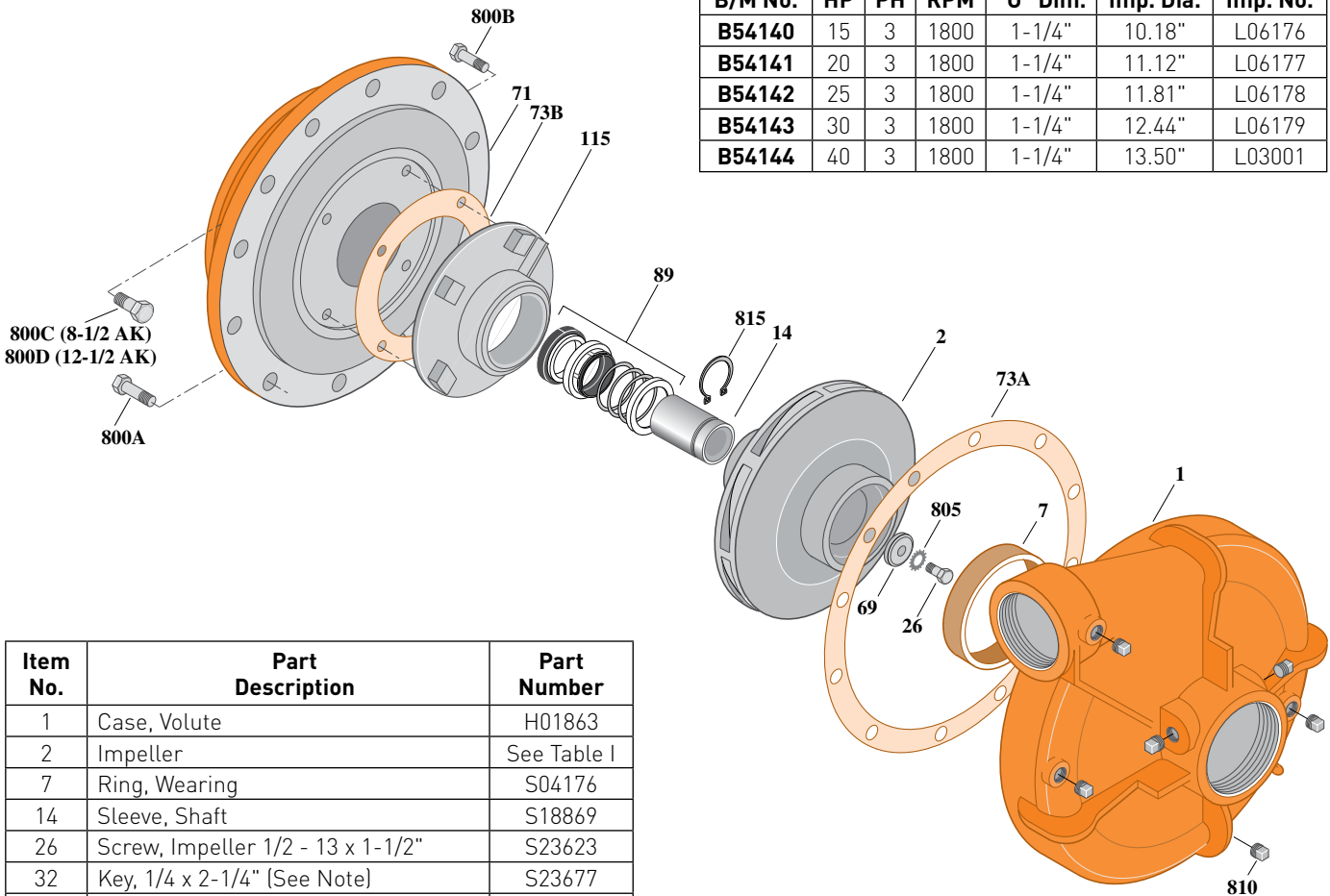
Threaded Case (NPT), Mechanical Shaft Seal Construction

ELECTRIC MOTOR DRIVE

Section	CC
Page	240.2
Date	March 4, 2013
Supersedes 01/01/04	

Table I

B/M No.	HP	PH	RPM	"U" Dim.	Imp. Dia.	Imp. No.
B54140	15	3	1800	1-1/4"	10.18"	LO6176
B54141	20	3	1800	1-1/4"	11.12"	LO6177
B54142	25	3	1800	1-1/4"	11.81"	LO6178
B54143	30	3	1800	1-1/4"	12.44"	LO6179
B54144	40	3	1800	1-1/4"	13.50"	LO3001



Item No.	Part Description	Part Number
1	Case, Volute	H01863
2	Impeller	See Table I
7	Ring, Wearing	S04176
14	Sleeve, Shaft	S18869
26	Screw, Impeller 1/2 - 13 x 1-1/2"	S23623
32	Key, 1/4 x 2-1/4" [See Note]	S23677
69	Washer, Impeller	S06319
71	Bracket	See Table II
73A	Gasket, Volute Case	S06271
73B	Gasket, Balance Ring	S09943
89	Seal, Mechanical Shaft	S32015
115	Ring, Balance	M06646
800A	Capscrew, 5/8 - 11 x 1-1/2" [12 Req.] [8-1/2 AK]	S26999
800A	Capscrew, 5/8 - 11 x 1-1/2" [16 Req.] [12-1/2 AK]	S26999
800B	Capscrew, 1/2 - 13 x 1-1/2" [4 Req.] [8-1/2 AK Only]	S26916
800C	Capscrew, 3/8 - 16 x 1" [4 Req.]	S26826
805	Washer, Lock	S23038
810	Plug, Pipe 1/2 NPT [6 Req.]	S23717
815	Ring, Retaining	S16767

Table II

HP	PH	Bracket No.	"AK" Fit	"U" Dim.	Motor Frame
15	3	H03300	8-1/2"	1-1/4"	254JM
20	3	H03300	8-1/2"	1-1/4"	256JM
25	3	H03301	12-1/2"	1-1/4"	284JM
30	3	H03301	12-1/2"	1-1/4"	286JM
40	3	H03301	12-1/2"	1-1/4"	324JM

NOTE: For an explanation of the tabulated material found on this page and for impeller key location, refer to **Supplement A** located at the beginning of this section.



BERKELEY® B3JPBM

Silicon Bronze Impeller

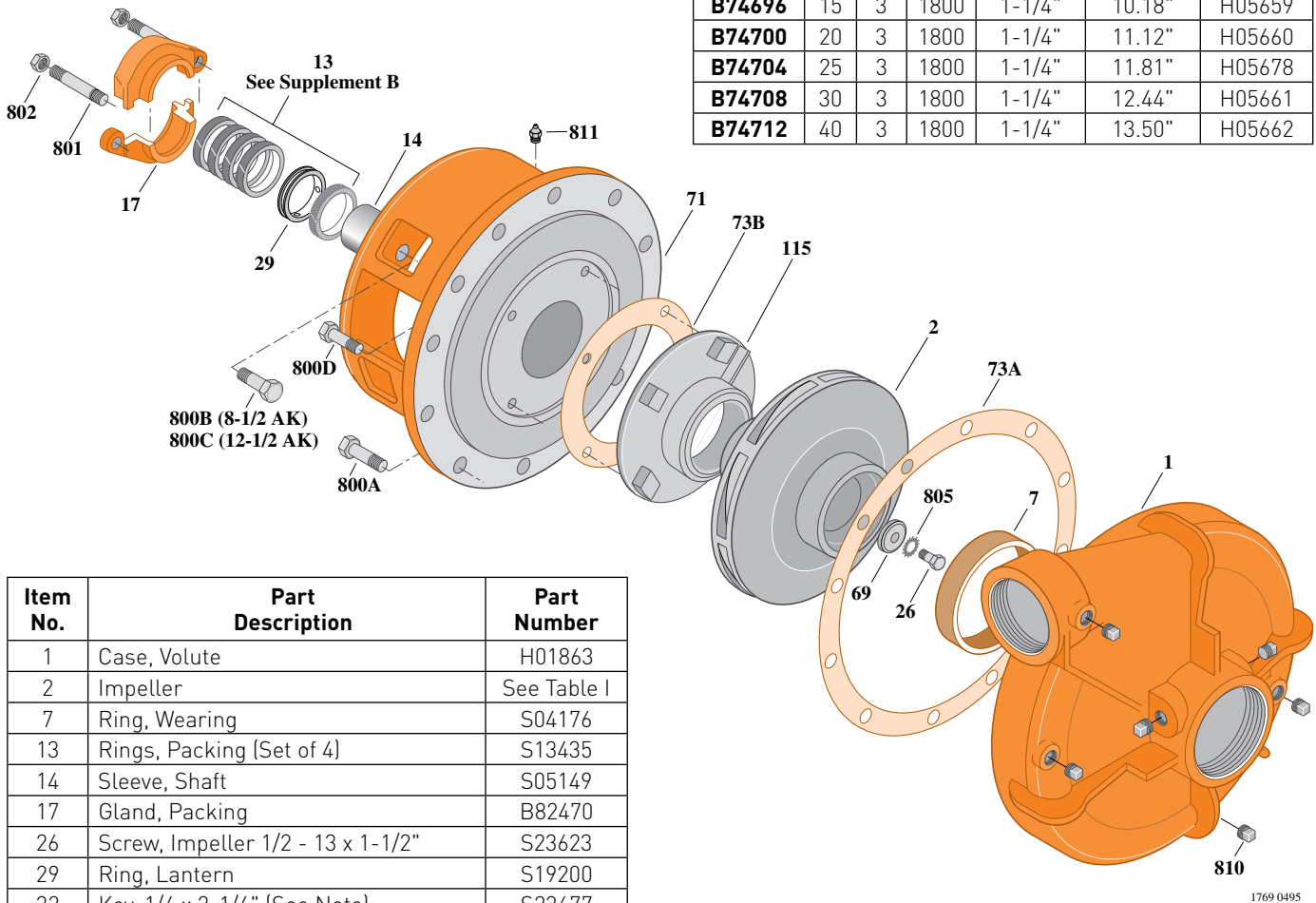
Threaded Case (NPT), Packing Construction

ELECTRIC MOTOR DRIVE

Section	CC
Page	240.3
Date	March 4, 2013
Supersedes 01/01/04	

Table I

B/M No.	HP	PH	RPM	"U" Dim.	Imp. Dia.	Imp. No.
B74696	15	3	1800	1-1/4"	10.18"	H05659
B74700	20	3	1800	1-1/4"	11.12"	H05660
B74704	25	3	1800	1-1/4"	11.81"	H05678
B74708	30	3	1800	1-1/4"	12.44"	H05661
B74712	40	3	1800	1-1/4"	13.50"	H05662



Item No.	Part Description	Part Number
1	Case, Volute	H01863
2	Impeller	See Table I
7	Ring, Wearing	S04176
13	Rings, Packing [Set of 4]	S13435
14	Sleeve, Shaft	S05149
17	Gland, Packing	B82470
26	Screw, Impeller 1/2 - 13 x 1-1/2"	S23623
29	Ring, Lantern	S19200
32	Key, 1/4 x 2-1/4" [See Note]	S23677
69	Washer, Impeller	S06319
71	Bracket	See Table II
73A	Gasket, Volute	S06271
73B	Gasket, Balance Ring	S09943
115	Ring, Balance	M05115
800A	Capscrew, 5/8 - 11 x 1-1/2" [12 Req.]	S26999
800B	Capscrew, 1/2 - 13 x 1-1/2" [4 Req.]	S26916
800C	Capscrew, 5/8 - 11 x 1-1/2" [4 Req.]	S26999
800D	Capscrew, 3/8 - 16 x 1-1/2" [4 Req.]	S26830
801	Stud, 3/8 - 16 x 2-1/2" [2 Req.]	S04438
802	Nut, Hex 3/8 - 16 [2 Req.]	S23343
805	Washer, Lock	S23038
810	Plug, Pipe 1/2" NPT [6 Req.]	S23717
811	Fitting, Grease	S23700

Table II

HP	PH	Bracket No.	"AK" Fit	"U" Dim.	Motor Frame
15	3	H02384	8-1/2"	1-1/4"	254JP
20	3	H02384	8-1/2"	1-1/4"	256JP
25	3	H01601	12-1/2"	1-1/4"	284JP
30	3	H01601	12-1/2"	1-1/4"	286JP
40	3	H01601	12-1/2"	1-1/4"	324JP

NOTE: For an explanation of the tabulated material found on this page and for impeller key location, refer to **Supplement A** located at the beginning of this section.



BERKELEY® B3JPBMS

Silicon Bronze Impeller

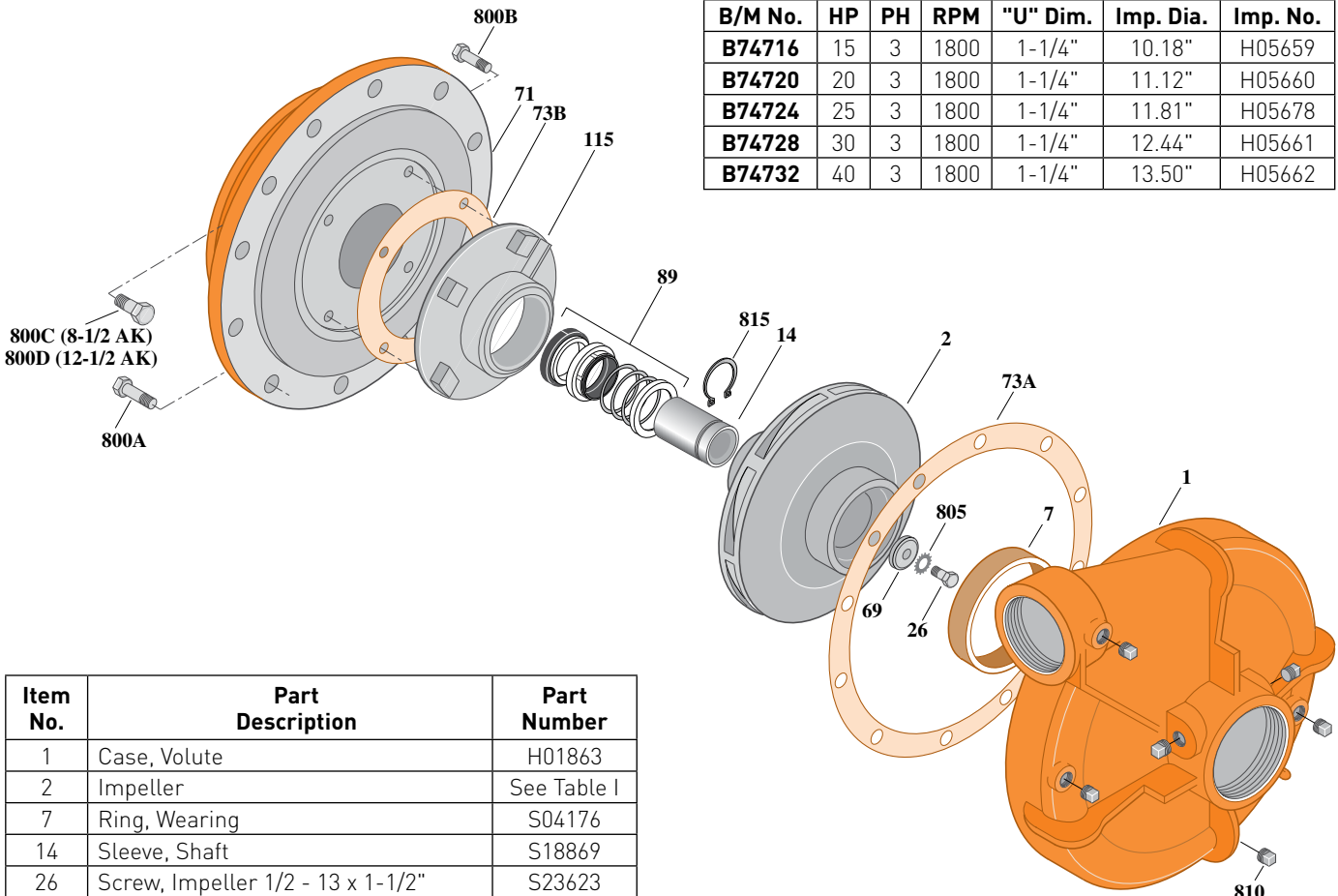
Threaded Case (NPT), Mechanical Shaft Seal Construction

ELECTRIC MOTOR DRIVE

Section	CC
Page	240.4
Date	March 4, 2013
Supersedes 01/01/04	

Table I

B/M No.	HP	PH	RPM	"U" Dim.	Imp. Dia.	Imp. No.
B74716	15	3	1800	1-1/4"	10.18"	H05659
B74720	20	3	1800	1-1/4"	11.12"	H05660
B74724	25	3	1800	1-1/4"	11.81"	H05678
B74728	30	3	1800	1-1/4"	12.44"	H05661
B74732	40	3	1800	1-1/4"	13.50"	H05662



1692 0295

Item No.	Part Description	Part Number
1	Case, Volute	H01863
2	Impeller	See Table I
7	Ring, Wearing	S04176
14	Sleeve, Shaft	S18869
26	Screw, Impeller 1/2 - 13 x 1-1/2"	S23623
32	Key, 1/4 x 2-1/4" [See Note]	S23677
69	Washer, Impeller	S06319
71	Bracket	See Table II
73A	Gasket, Volute Case	S06271
73B	Gasket, Balance Ring	S09943
89	Seal, Mechanical Shaft	S32015
115	Ring, Balance	M06646
800A	Capscrew, 5/8 - 11 x 1-1/2" [12 Req.]	S26999
800B	Capscrew, 3/8 - 16 x 1" [4 Req.]	S26826
800C	Capscrew, 1/2 - 13 x 1-1/2" [4 Req.]	S26916
800D	Capscrew, 5/8 - 11 x 1-1/2" [4 Req.]	S26999
805	Washer, Lock	S23038
810	Plug, Pipe 1/2" NPT [6 Req.]	S23717
815	Ring, Retaining	S16767
•	Plug, Pipe 1/8" NPT (In Bracket)	S23714

• Not illustrated.

Table II

HP	PH	Bracket No.	"AK" Fit	"U" Dim.	Motor Frame
15	3	H03300	8-1/2"	1-1/4"	254JM
20	3	H03300	8-1/2"	1-1/4"	256JM
25	3	H03301	12-1/2"	1-1/4"	284JM
30	3	H03301	12-1/2"	1-1/4"	286JM
40	3	H03301	12-1/2"	1-1/4"	324JM

NOTE 1: For an explanation of the tabulated material found on this page and for impeller key location, refer to **Supplement A** located at the beginning of this section.

NOTE 2: For seal flush line details, see **Supplement D**.



BERKELEY® B4ZPBH

Cast Iron Impeller

Flanged Case, Packing Construction

ELECTRIC MOTOR DRIVE

Section	CC
Page	247.1
Date	March 4, 2013
Supersedes 09/17/10	

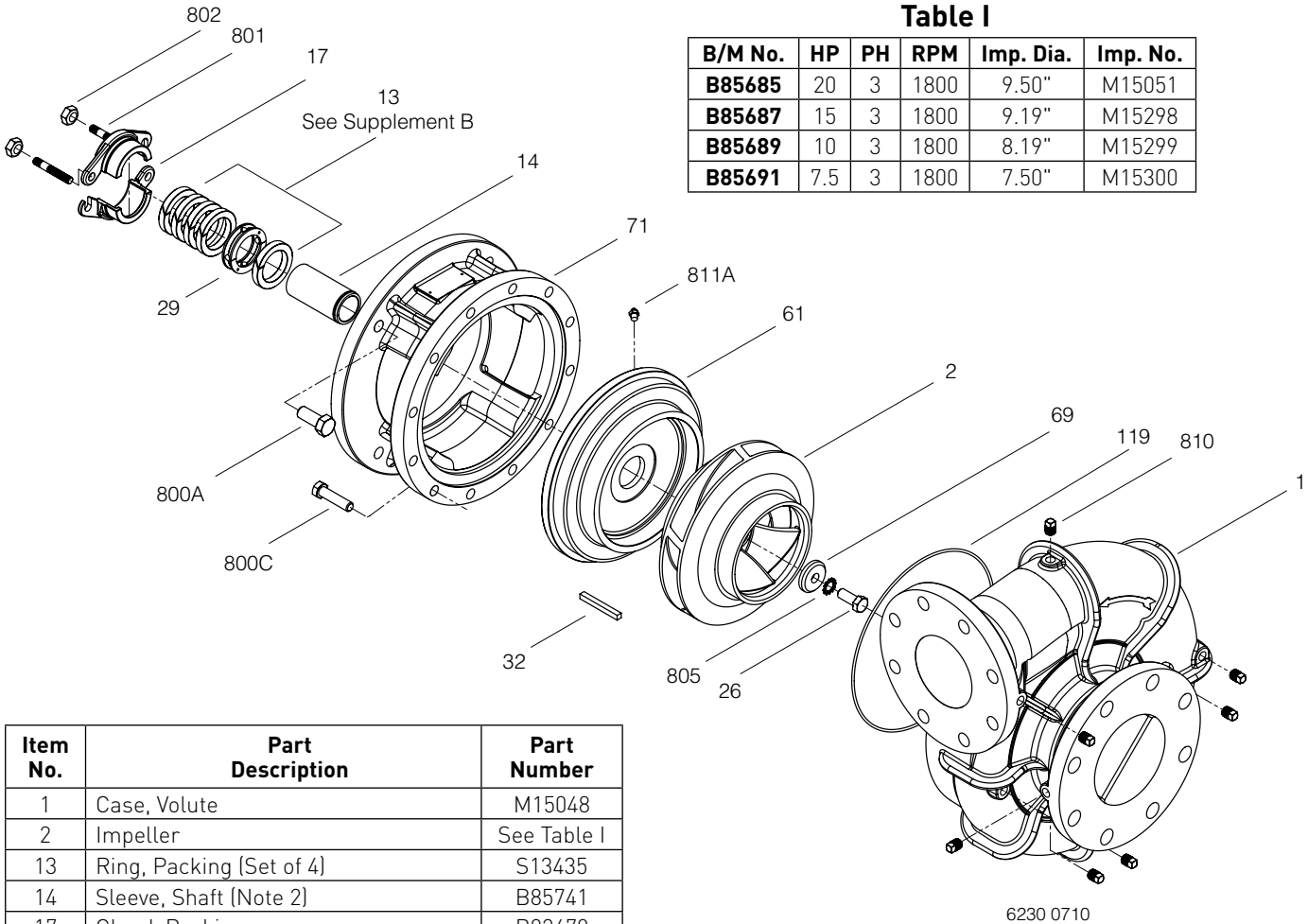


Table I

B/M No.	HP	PH	RPM	Imp. Dia.	Imp. No.
B85685	20	3	1800	9.50"	M15051
B85687	15	3	1800	9.19"	M15298
B85689	10	3	1800	8.19"	M15299
B85691	7.5	3	1800	7.50"	M15300

Item No.	Part Description	Part Number
1	Case, Volute	M15048
2	Impeller	See Table I
13	Ring, Packing (Set of 4)	S13435
14	Sleeve, Shaft (Note 2)	B85741
17	Gland, Packing	B82470
26	Screw, Impeller	S23621
29	Ring, Lantern	S19200
32	Key, 1/4" X 2-1/4"	S23677
61	Plate, Seal	M15047
69	Washer, Impeller	S06319
71	Bracket	M15044
119	O-Ring	M15099
800A	Screw, 1/2-13NC X 1-1/2" LG CRS (4 rqd)	S26916
800C	Screw, 1/2-13NC X 2" LG CRS (12 rqd)	S26920
801	Stud, 3/8-16NC X 2-1/2" LG 416SS (2 rqd)	S04438
802	Nut, Hex, Lock 3/8-16 SS (2 rqd)	M13771
805	Washer, Lock	S23038
810	Plug, Pipe	S23715
811A	Fitting, Grease	S23700

Table II

HP	PH	Bracket No.	"AK" Fit	"U" Dim.	Motor Frame
20	3	M15044	8-1/2"	1-1/4"	256JP
15	3	M15044	8-1/2"	1-1/4"	254JP
10	3	M15044	8-1/2"	1-1/4"	215JP
7.5	3	M15044	8-1/2"	1-1/4"	213JP

NOTE 1: Impeller kit **B85754** includes items 26, 32, 69, 119, 805.

NOTE 2: Shaft sleeve kit **B85741** includes item 14, adhesive and instruction sheet.



BERKELEY® B4ZPBHS

Cast Iron Impeller

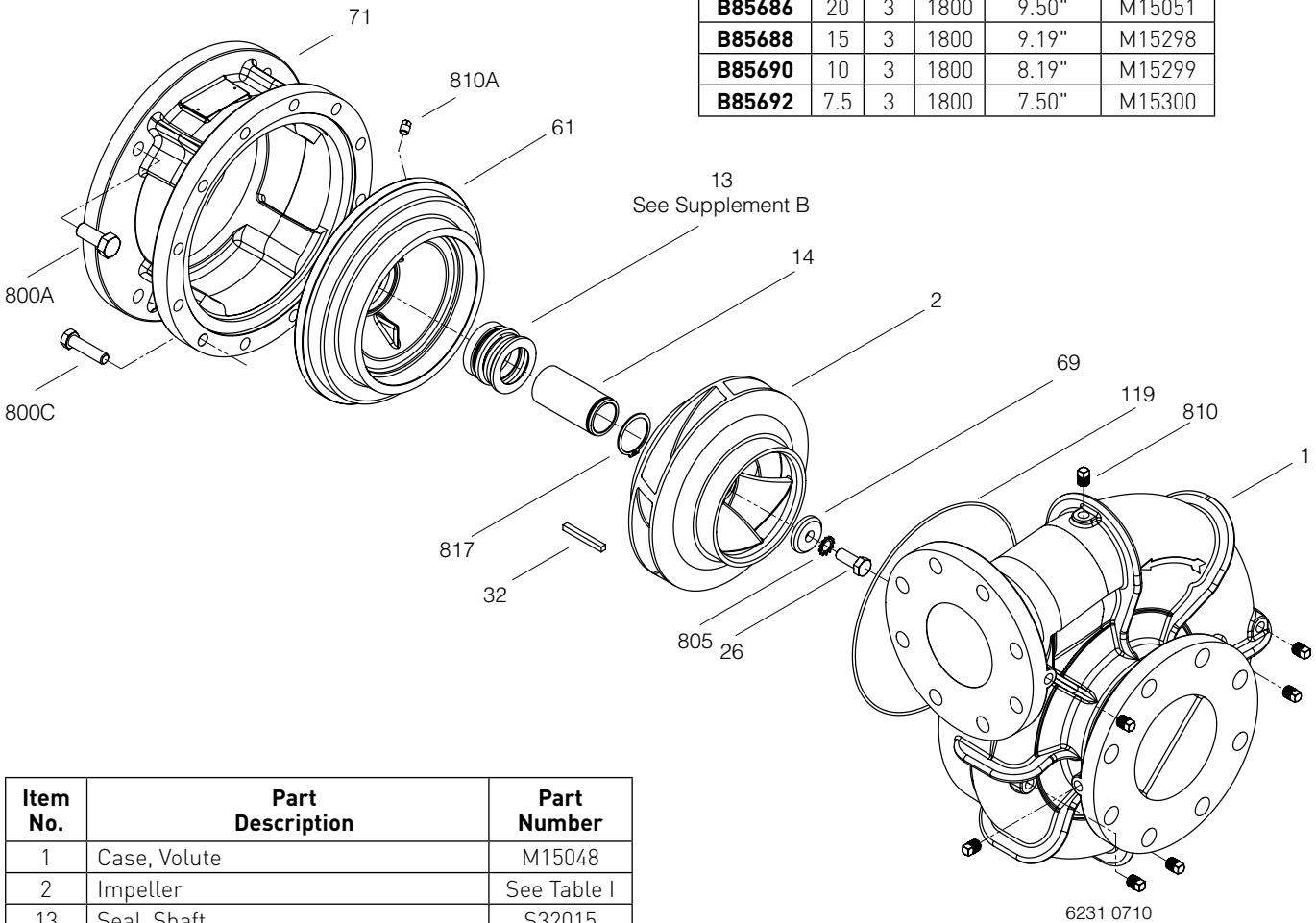
Flanged Case, Mechanical Shaft Seal Construction

ELECTRIC MOTOR DRIVE

Section	CC
Page	247.2
Date	March 4, 2013
Supersedes 08/17/10	

Table I

B/M No.	HP	PH	RPM	Imp. Dia.	Imp. No.
B85686	20	3	1800	9.50"	M15051
B85688	15	3	1800	9.19"	M15298
B85690	10	3	1800	8.19"	M15299
B85692	7.5	3	1800	7.50"	M15300



Item No.	Part Description	Part Number
1	Case, Volute	M15048
2	Impeller	See Table I
13	Seal, Shaft	S32015
14	Sleeve, Shaft (Note 2)	B85741
26	Screw, Impeller	S23621
32	Key, 1/4" X 2-1/4"	S23677
61	Plate, Seal	M15046
69	Washer, Impeller	S06319
71	Bracket	M15044
119	O-Ring	M15099
800A	Screw, 1/2-13NC X 1-1/2 LG CRS [4 rqd]	S26916
800C	Screw, 1/2-13NC X 2 LG CRS [12 rqd]	S26920
805	Washer, Lock	S23038
810	Plug, Pipe	S23715
810A	Plug, Pipe	U78-56ZPS
817	Ring, Retaining	S16767

Table II

HP	PH	Bracket No.	"AK" Fit	"U" Dim.	Motor Frame
20	3	M15044	8-1/2"	1-1/4"	256JP
15	3	M15044	8-1/2"	1-1/4"	254JP
10	3	M15044	8-1/2"	1-1/4"	215JP
7.5	3	M15044	8-1/2"	1-1/4"	213JP

NOTE 1: Impeller kit **B85754** includes items 26, 32, 69, 119, 805.

NOTE 2: Shaft sleeve kit **B85741** includes item 14, adhesive and instruction sheet.



BERKELEY® B4EPM

Cast Iron Impeller

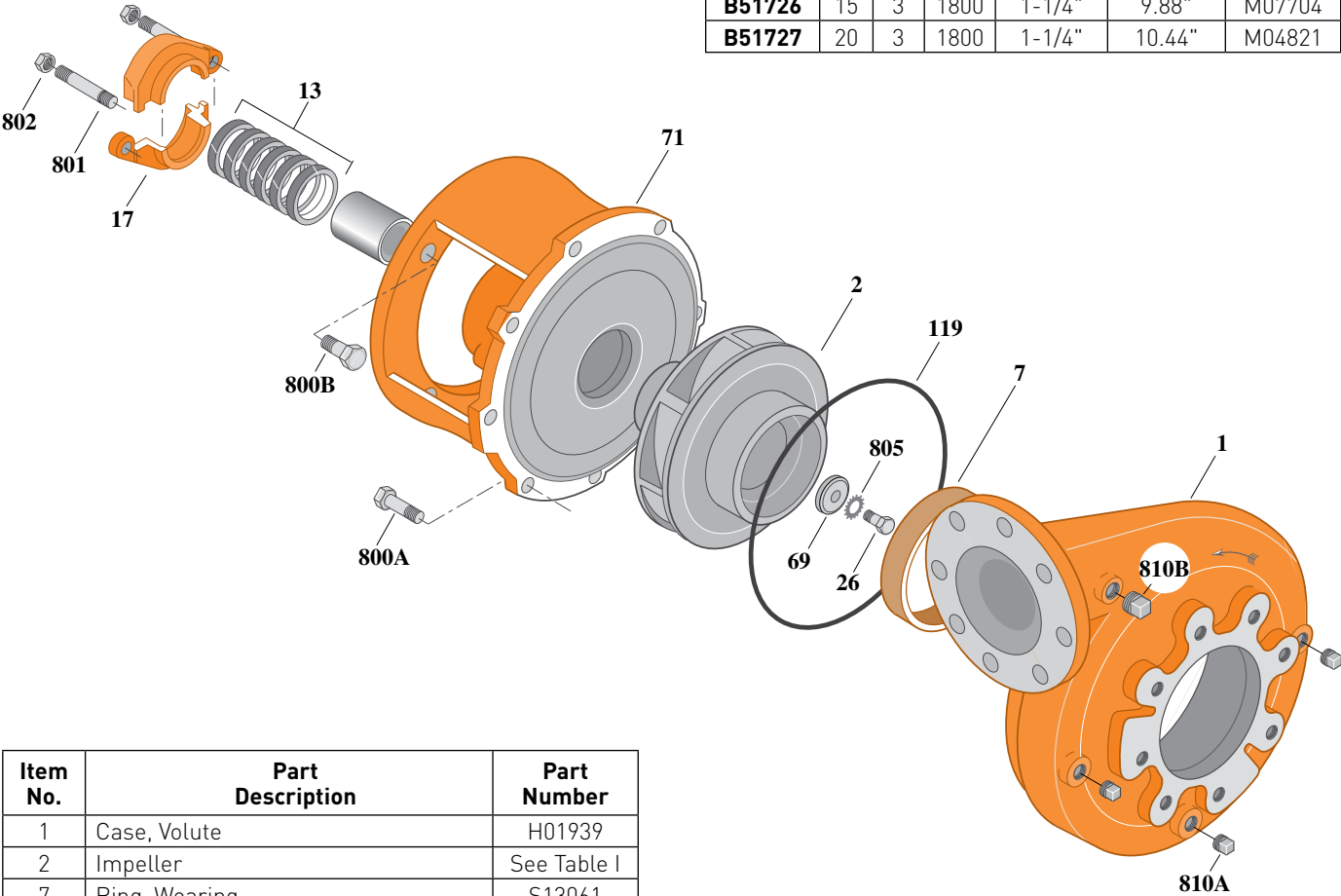
Flanged Case, Packing Construction

ELECTRIC MOTOR DRIVE

Section	CC
Page	250.1
Date	March 4, 2013
Supersedes 01/01/04	

Table I

B/M No.	HP	PH	RPM	"U" Dim.	Imp. Dia.	Imp. No.
B51726	15	3	1800	1-1/4"	9.88"	M07704
B51727	20	3	1800	1-1/4"	10.44"	M04821



1760 0495

Item No.	Part Description	Part Number
1	Case, Volute	H01939
2	Impeller	See Table I
7	Ring, Wearing	S13061
13	Rings, Packing (Set of 6)	S13470
14	Sleeve, Shaft	S05149
17	Gland, Packing	B82470
26	Screw, Impeller 1/2 - 13 x 1-3/4"	S23625
32	Key, 1/4 x 2-1/4" (See Note)	S23677
69	Washer, Impeller	S06319
71	Bracket	See Table II
119	O-Ring	S13760
801	Stud, 3/8 - 16 x 2-1/2" (2 Req.)	S04438
802	Nut, Hex 3/8 - 16 (2 Req.)	S23343
805	Washer, Lock	S23038
800A	Capscrew, 1/2 - 13 x 1-1/4" (8 Req.)	S26914
800B	Capscrew, 1/2 - 13 x 1-1/2" (4 Req.)	S26916
810A	Plug, Pipe 1/4 NPT (3 Req.)	S23715
810B	Plug, Pipe 1/2 NPT (2 Req.)	S23717

Table II

HP	PH	Bracket No.	"AK" Fit	"U" Dim.	Motor Frame
15	3	L03637	8-1/2"	1-1/4"	254JP
20	3	L03637	8-1/2"	1-1/4"	256JP

NOTE: For an explanation of the tabulated material found on this page and for impeller key location, refer to **Supplement A** located at the beginning of this section.



BERKELEY® B4EPMS

Cast Iron Impeller

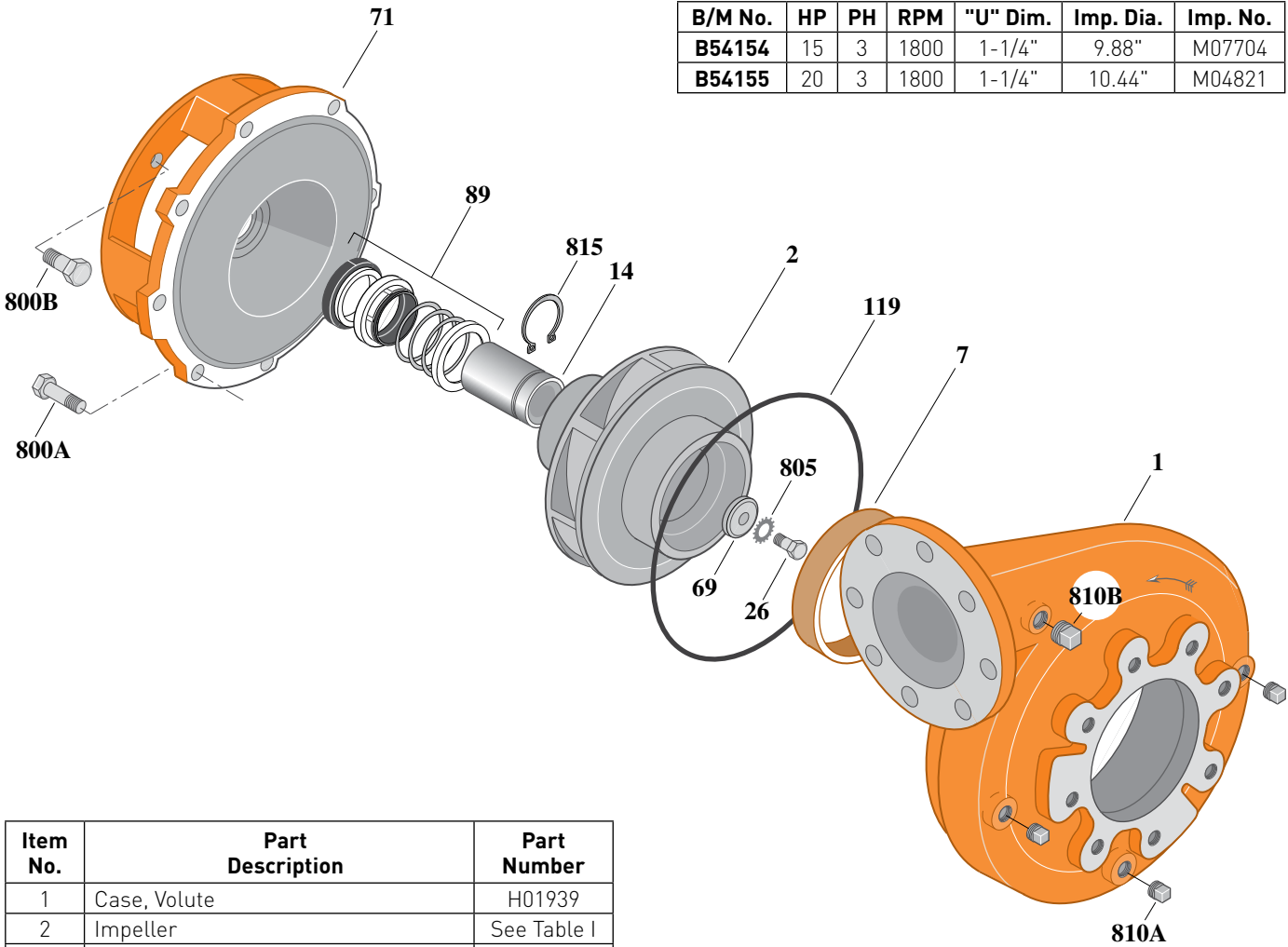
Flanged Case, Mechanical Shaft Seal Construction

ELECTRIC MOTOR DRIVE

Section	CC
Page	250.2
Date	March 4, 2013
Supersedes 01/01/04	

Table I

B/M No.	HP	PH	RPM	"U" Dim.	Imp. Dia.	Imp. No.
B54154	15	3	1800	1-1/4"	9.88"	M07704
B54155	20	3	1800	1-1/4"	10.44"	M04821



1677 0295

Item No.	Part Description	Part Number
1	Case, Volute	H01939
2	Impeller	See Table I
7	Ring, Wearing	S13061
14	Sleeve, Shaft	S18869
26	Screw, Impeller 1/2 - 13 x 1-3/4"	S23625
32	Key, 1/4 x 2-1/4" (See Note)	S23677
69	Washer, Impeller	S06319
71	Bracket	See Table II
89	Seal, Mechanical Shaft	S32015
119	O-Ring	S13760
800A	Capscrew, 1/2 - 13 x 1-1/4" [8 Req.]	S26914
800B	Capscrew, 1/2 - 13 x 1" [4 Req.]	S26912
805	Washer, Lock	S23038
810A	Plug, Pipe 1/4 NPT [3 Req.]	S23715
810B	Plug, Pipe 1/2 NPT [2 Req.]	S23717
815	Ring, Retaining	S16767

Table II

HP	PH	Bracket No.	"AK" Fit	"U" Dim.	Motor Frame
15	3	L04616	8-1/2"	1-1/4"	254JM
20	3	L04616	8-1/2"	1-1/4"	256JM

NOTE: For an explanation of the tabulated material found on this page and for impeller key location, refer to **Supplement A** located at the beginning of this section.



BERKELEY® B4EPMS

Bronze Impeller

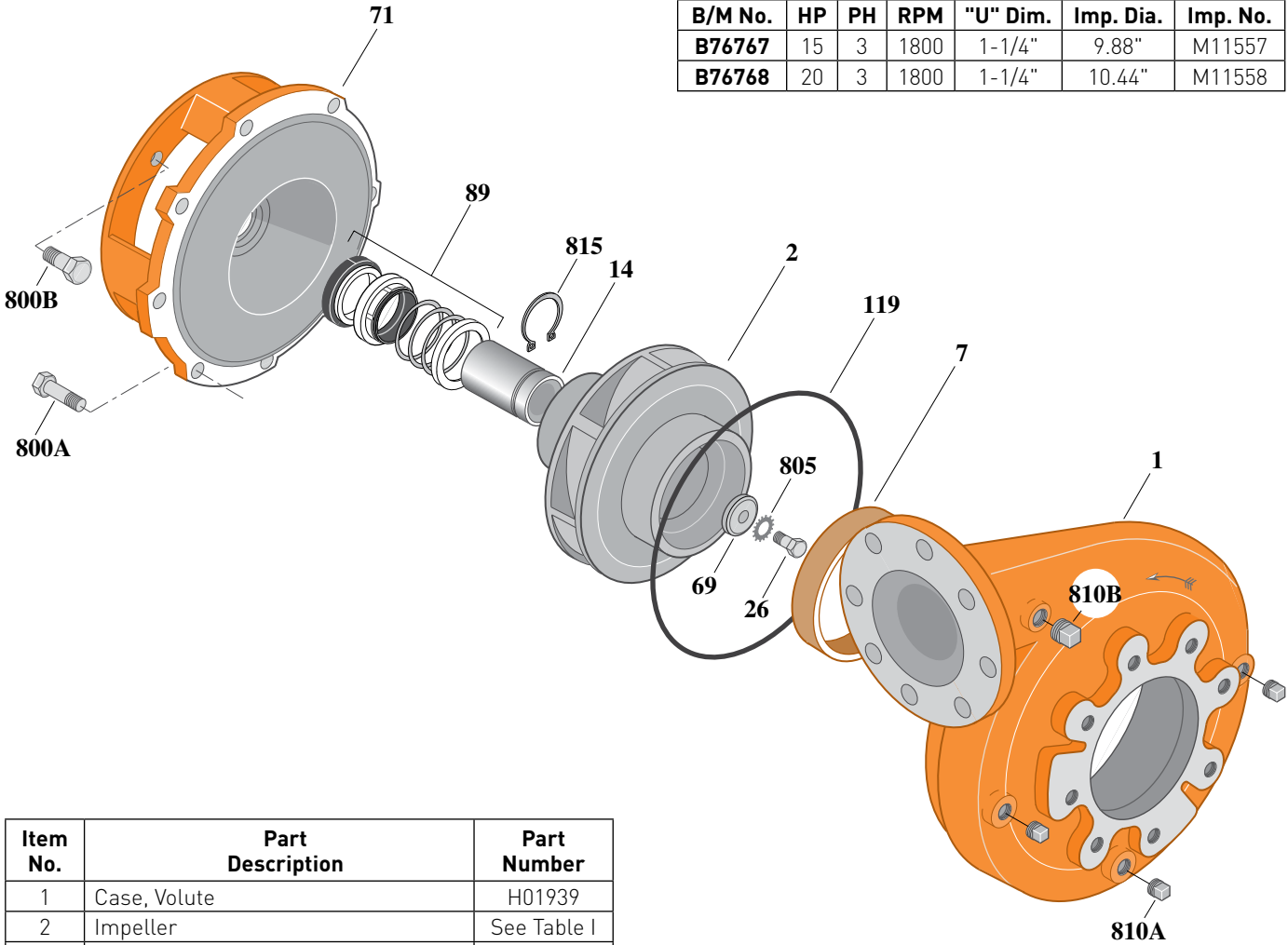
Flanged Case, Mechanical Shaft Seal Construction

ELECTRIC MOTOR DRIVE

Section	CC
Page	250.3
Date	March 4, 2013
Supersedes 01/01/04	

Table I

B/M No.	HP	PH	RPM	"U" Dim.	Imp. Dia.	Imp. No.
B76767	15	3	1800	1-1/4"	9.88"	M11557
B76768	20	3	1800	1-1/4"	10.44"	M11558



1677 0295

Item No.	Part Description	Part Number
1	Case, Volute	H01939
2	Impeller	See Table I
7	Ring, Wearing	S13061
14	Sleeve, Shaft	S18869
26	Screw, Impeller 1/2 - 13 x 1-3/4"	S23625
32	Key, 1/4 x 2-1/4" (See Note)	S23677
69	Washer, Impeller	S06319
71	Bracket	See Table II
89	Seal, Mechanical Shaft	S32015
119	O-Ring	S13760
800A	Cap screw, 1/2 - 13 x 1-1/4" [8 Req.]	S26914
800B	Cap screw, 1/2 - 13 x 1" [4 Req.]	S26912
805	Washer, Lock	S23038
810A	Plug, Pipe 1/4 NPT [3 Req.]	S23715
810B	Plug, Pipe 1/2 NPT [2 Req.]	S23717
815	Ring, Retaining	S16767

Table II

HP	PH	Bracket No.	"AK" Fit	"U" Dim.	Motor Frame
15	3	L04616	8-1/2"	1-1/4"	254JM
20	3	L04616	8-1/2"	1-1/4"	256JM

NOTE: For an explanation of the tabulated material found on this page and for impeller key location, refer to **Supplement A** located at the beginning of this section.



BERKELEY® B4EPBM

Cast Iron Impeller

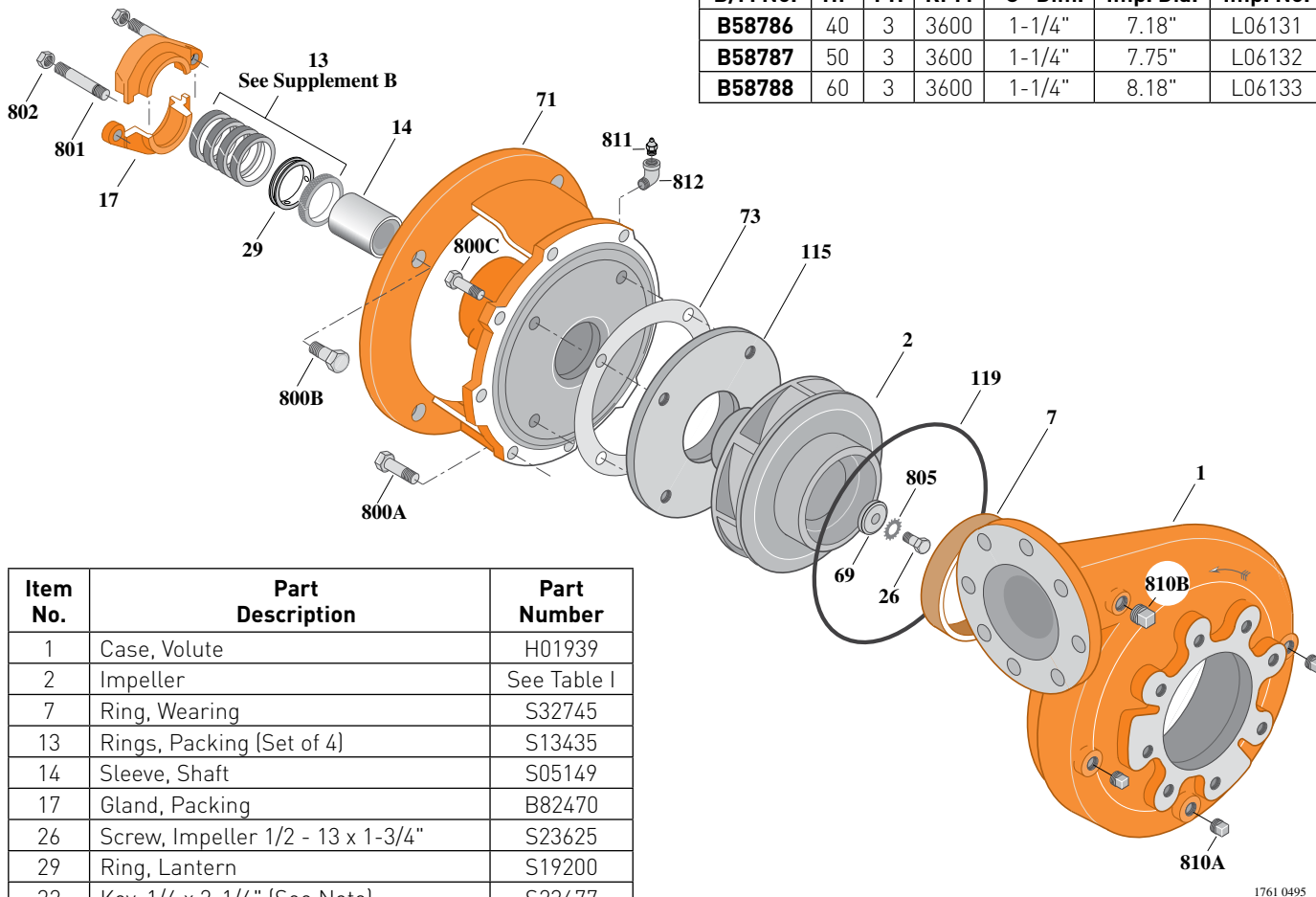
Flanged Case, Packing Construction

ELECTRIC MOTOR DRIVE

Section	CC
Page	260.1
Date	March 4, 2013
Supersedes 01/01/04	

Table I

B/M No.	HP	PH	RPM	"U" Dim.	Imp. Dia.	Imp. No.
B58786	40	3	3600	1-1/4"	7.18"	L06131
B58787	50	3	3600	1-1/4"	7.75"	L06132
B58788	60	3	3600	1-1/4"	8.18"	L06133



Item No.	Part Description	Part Number
1	Case, Volute	H01939
2	Impeller	See Table I
7	Ring, Wearing	S32745
13	Rings, Packing (Set of 4)	S13435
14	Sleeve, Shaft	S05149
17	Gland, Packing	B82470
26	Screw, Impeller 1/2 - 13 x 1-3/4"	S23625
29	Ring, Lantern	S19200
32	Key, 1/4 x 2-1/4" (See Note)	S23677
69	Washer, Impeller	S18117
71	Bracket	See Table II
73	Gasket, Balance Ring	S09943
115	Ring, Balance	L03649
119	O-Ring	S13760
800A	Capscrew, 1/2 - 13 x 1-1/4" (8 Req.)	S26914
800B	Capscrew, 5/8 - 11 x 1-1/2" (4 Req.)	S26999
800C	Capscrew, 3/8 - 16 x 1" (4 Req.)	S26826
801	Stud, 3/8 - 16 x 2-1/2" (2 Req.)	S04438
802	Nut, Hex 3/8 - 16 (2 Req.)	S23343
805	Washer, Lock	S23038
810A	Plug, Pipe 1/4 NPT (3 Req.)	S23715
810B	Plug, Pipe 1/2 NPT (2 Req.)	S23717
811	Fitting, Grease	S23700
812	Elbow, Street	S25421

Table II

HP	PH	Bracket No.	"AK" Fit	"U" Dim.	Motor Frame
40	3	L03497	12-1/2"	1-1/4"	286JP
50	3	L03497	12-1/2"	1-1/4"	324JP
60	3	L03497	12-1/2"	1-1/4"	326JP

NOTE: For an explanation of the tabulated material found on this page and for impeller key location, refer to **Supplement A** located at the beginning of this section.



BERKELEY® B4EPBM

Cast Iron Impeller

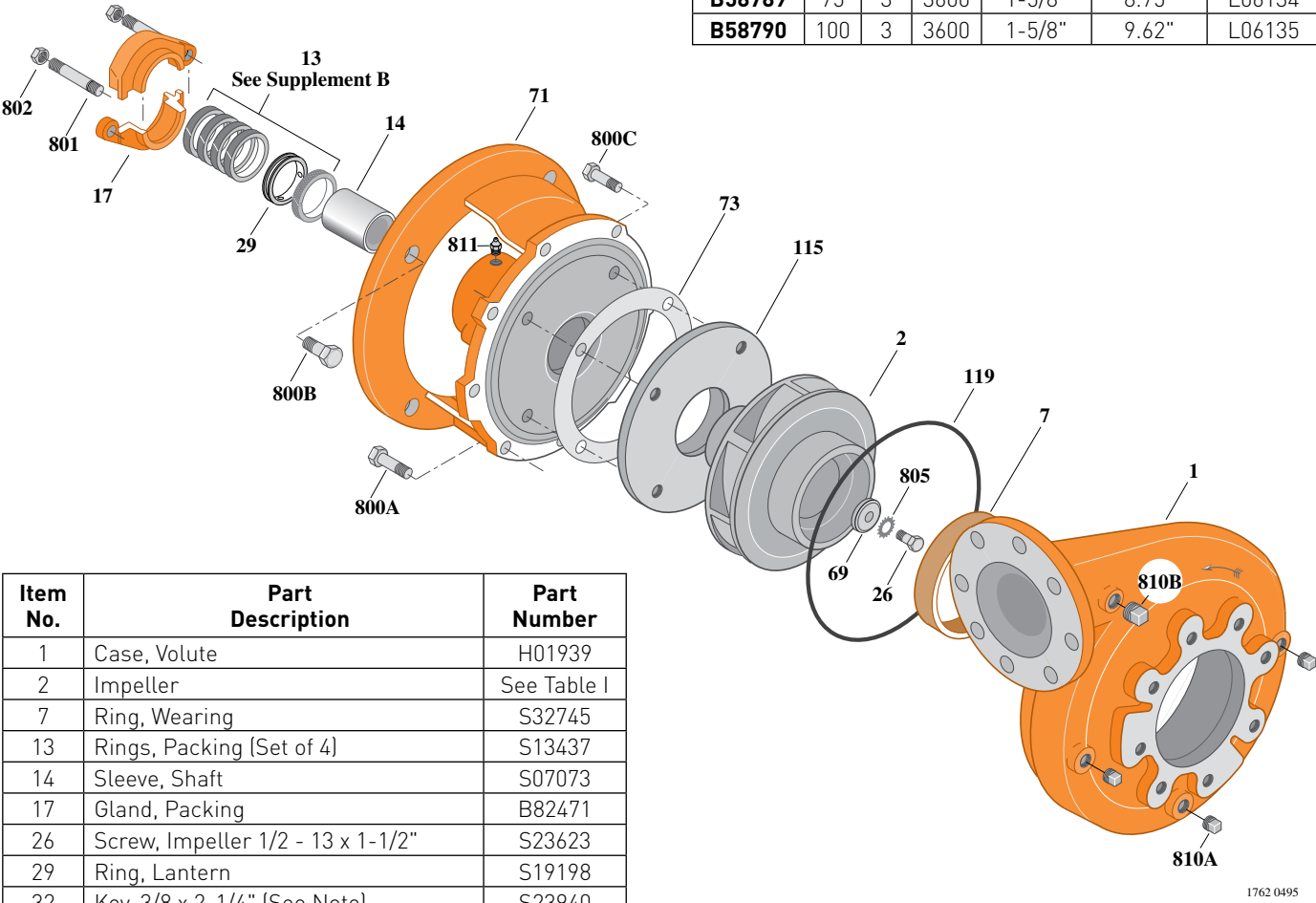
Flanged Case, Packing Construction

ELECTRIC MOTOR DRIVE

Section	CC
Page	260.2
Date	March 4, 2013
Supersedes 01/01/04	

Table I

B/M No.	HP	PH	RPM	"U" Dim.	Imp. Dia.	Imp. No.
B58789	75	3	3600	1-5/8"	8.75"	L06134
B58790	100	3	3600	1-5/8"	9.62"	L06135



Item No.	Part Description	Part Number
1	Case, Volute	H01939
2	Impeller	See Table I
7	Ring, Wearing	S32745
13	Rings, Packing (Set of 4)	S13437
14	Sleeve, Shaft	S07073
17	Gland, Packing	B82471
26	Screw, Impeller 1/2 - 13 x 1-1/2"	S23623
29	Ring, Lantern	S19198
32	Key, 3/8 x 2-1/4" (See Note)	S23940
69	Washer, Impeller	S18801
71	Bracket	See Table II
73	Gasket, Balance Ring	S09943
115	Ring, Balance	L03837
119	O-Ring	S13760
800A	Capscrew, 1/2 - 13 x 1-1/4" [8 Req.]	S26914
800B	Capscrew, 5/8 - 11 x 1-1/2" [4 Req.]	S26999
800C	Capscrew, 3/8 - 16 x 1" [4 Req.]	S26826
801	Stud, 3/8 - 16 x 2-1/2" [2 Req.]	S04438
802	Nut, Hex 3/8 - 16 [2 Req.]	S23343
805	Washer, Lock	S23038
810A	Plug, Pipe 1/4 NPT [3 Req.]	S23715
810B	Plug, Pipe 1/2 NPT [2 Req.]	S23717
811	Fitting, Grease	S23700

Table II

HP	PH	Bracket No.	"AK" Fit	"U" Dim.	Motor Frame
75	3	L05610	12-1/2"	1-5/8"	364JP
100	3	L05610	12-1/2"	1-5/8"	365JP

NOTE: For an explanation of the tabulated material found on this page and for impeller key location, refer to **Supplement A** located at the beginning of this section.



BERKELEY® B4EPBM

Cast Iron Impeller

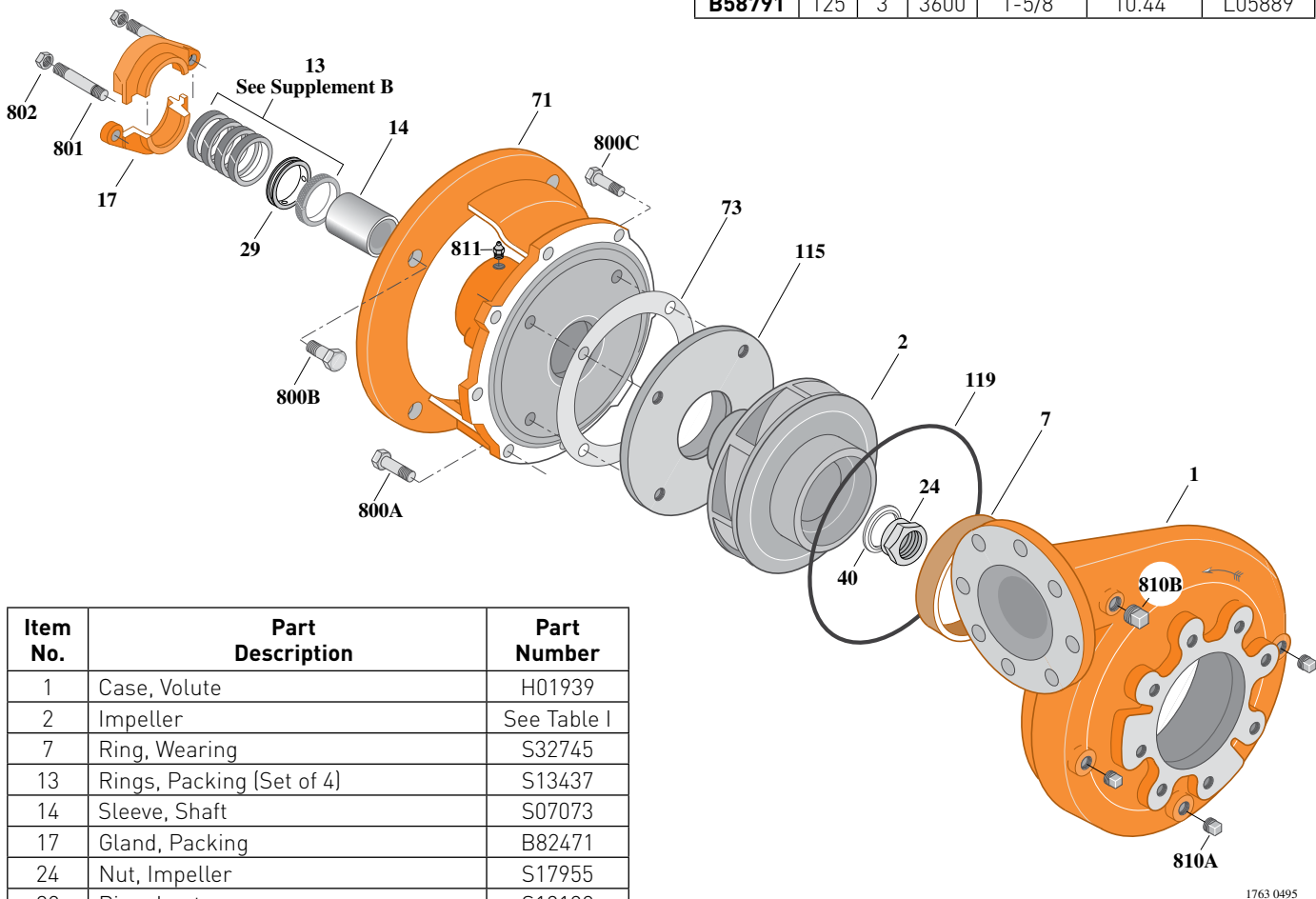
Flanged Case, Packing Construction

ELECTRIC MOTOR DRIVE

Section	CC
Page	260.3
Date	March 4, 2013
Supersedes 01/01/04	

Table I

B/M No.	HP	PH	RPM	"U" Dim.	Imp. Dia.	Imp. No.
B58791	125	3	3600	1-5/8"	10.44"	L05889



Item No.	Part Description	Part Number
1	Case, Volute	H01939
2	Impeller	See Table I
7	Ring, Wearing	S32745
13	Rings, Packing (Set of 4)	S13437
14	Sleeve, Shaft	S07073
17	Gland, Packing	B82471
24	Nut, Impeller	S17955
29	Ring, Lantern	S19198
32	Key, 3/8 x 2-1/4" (See Note)	S23940
40	Deflector	S17956
71	Bracket	See Table II
73	Gasket, Balance Ring	S09943
115	Ring, Balance	L03837
119	O-Ring	S13760
800A	Capscrew, 1/2 - 13 x 1-1/4" [8 Req.]	S26914
800B	Capscrew, 5/8 - 11 x 1-1/2" [4 Req.]	S26999
800C	Capscrew, 3/8 - 16 x 7/8" [4 Req.]	S26825
801	Stud, 3/8 - 16 x 2-1/2" [2 Req.]	S04438
802	Nut, Hex 3/8 - 16 [2 Req.]	S23343
810A	Plug, Pipe 1/4 NPT [3 Req.]	S23715
810B	Plug, Pipe 1/2 NPT [2 Req.]	S23717
811	Fitting, Grease	S23700

Table II

HP	PH	Bracket No.	"AK" Fit	"U" Dim.	Motor Frame
125	3	L05610	12-1/2"	1-5/8"	404TC

NOTE: For an explanation of the tabulated material found on this page and for impeller key location, refer to **Supplement A** located at the beginning of this section.



BERKELEY® B4EPBMS

Cast Iron Impeller

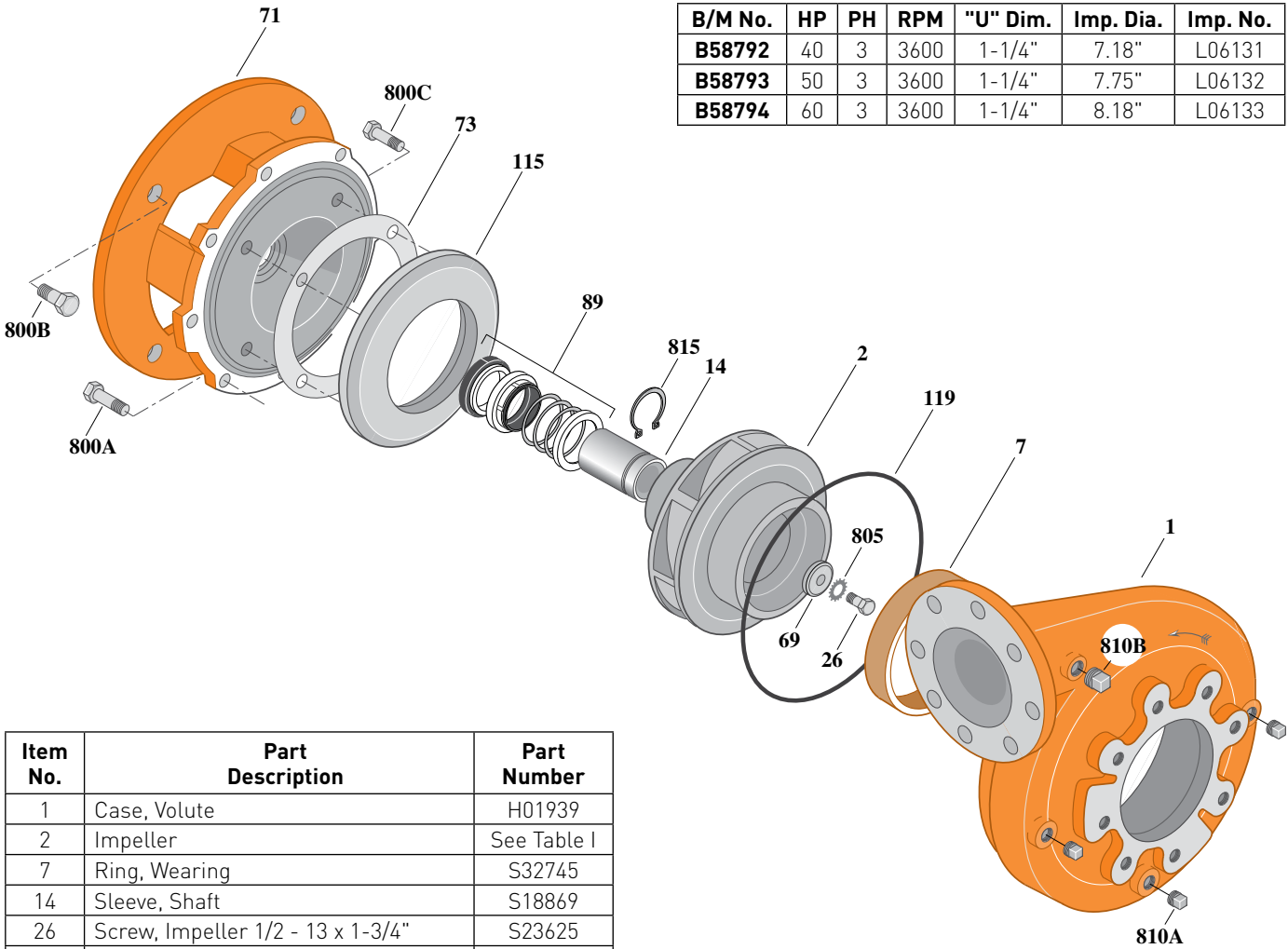
Flanged Case, Mechanical Shaft Seal Construction

ELECTRIC MOTOR DRIVE

Section	CC
Page	260.4
Date	March 4, 2013
Supersedes 01/01/04	

Table I

B/M No.	HP	PH	RPM	"U" Dim.	Imp. Dia.	Imp. No.
B58792	40	3	3600	1-1/4"	7.18"	L06131
B58793	50	3	3600	1-1/4"	7.75"	L06132
B58794	60	3	3600	1-1/4"	8.18"	L06133



1678 0295

Item No.	Part Description	Part Number
1	Case, Volute	H01939
2	Impeller	See Table I
7	Ring, Wearing	S32745
14	Sleeve, Shaft	S18869
26	Screw, Impeller 1/2 - 13 x 1-3/4"	S23625
32	Key, 1/4 x 2-1/4" [See Note]	S23677
69	Washer, Impeller	S18117
71	Bracket	See Table II
73	Gasket, Balance Ring	S09943
89	Seal, Mechanical Shaft	S32015
115	Ring, Balance	L05263
119	O-Ring	S13760
800A	Capscrew, 1/2 - 13 x 1-1/4" [8 Req.]	S26914
800B	Capscrew, 5/8 - 11 x 1-1/2" [4 Req.]	S26999
800C	Capscrew, 3/8 - 16 x 3/4" [4 Req.]	S26824
805	Washer, Lock	S23038
810A	Plug, Pipe 1/4 NPT [3 Req.]	S23715
810B	Plug, Pipe 1/2 NPT [2 Req.]	S23717
815	Ring, Retaining	S16767

Table II

HP	PH	Bracket No.	"AK" Fit	"U" Dim.	Motor Frame
40	3	L04628	12-1/2"	1-1/4"	286JM
50	3	L04628	12-1/2"	1-1/4"	324JM
60	3	L04628	12-1/2"	1-1/4"	326JM

NOTE: For an explanation of the tabulated material found on this page and for impeller key location, refer to **Supplement A** located at the beginning of this section.



BERKELEY® B4EPBMS

Cast Iron Impeller

Flanged Case, Mechanical Shaft Seal Construction

ELECTRIC MOTOR DRIVE

Section	CC
Page	260.5
Date	March 4, 2013
Supersedes 08/27/12	

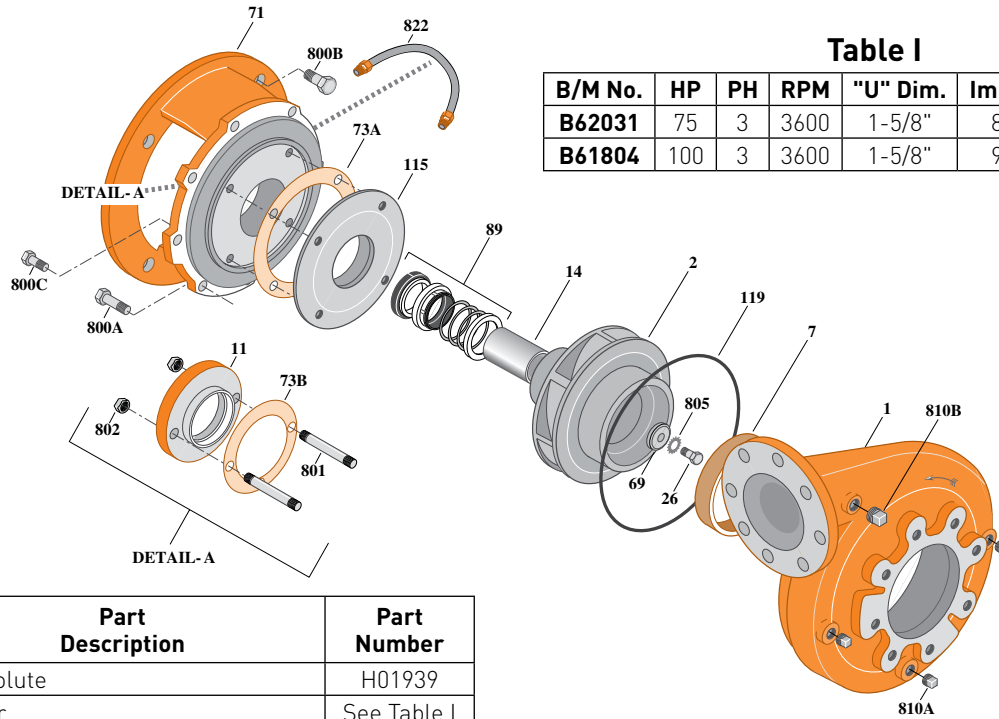


Table I

B/M No.	HP	PH	RPM	"U" Dim.	Imp. Dia.	Imp. No.
B62031	75	3	3600	1-5/8"	8.75"	L06134
B61804	100	3	3600	1-5/8"	9.62"	L06135

Item No.	Part Description	Part Number
1	Case, Volute	H01939
2	Impeller	See Table I
7	Ring, Wearing	S32745
11	Retainer, Mechanical Shaft Seal	S15377
14	Sleeve, Shaft	S07073
26	Screw, Impeller 1/2 - 13 x 1-1/2"	S23623
32	Key, 3/8 x 2" (75 HP) [See Note]	S23939
32	Key, 3/8 x 2-1/4" (100 HP) [See Note]	S23940
69	Washer, Impeller	S18801
71	Bracket	See Table II
73A	Gasket, Balance Ring	S09943
73B	Gasket, Seal Retainer	S15078
89	Seal, Mechanical Shaft	S32016
115	Ring, Balance	L03837
119	O-Ring	S13760
800A	Capscrew, 1/2 - 13 x 1-1/4" [8 Req.]	S26914
800B	Capscrew, 5/8 - 11 x 1-3/4" [4 Req.]	S27001
800C	Capscrew, 3/8 - 16 x 1" [4 Req.]	S26826
801	Stud, 3/8 - 16 x 2-1/2" [2 Req.]	S04438
802	Nut, 3/8 x 16 [2 Req.]	S23343
805	Washer, Lock	S23038
810A	Plug, Pipe 1/4 NPT [3 Req.]	S23715
810B	Plug, Pipe, 1/2 NPT [2 Req.]	S23717
820	Connector, Comp. Fitting [2 Req.]	S24013
822	Hose, Buna Tube	M15789
•	Plug, Pipe 1/8 NPT (At Seal Bore)	S23714

• Not illustrated.

Table II

HP	PH	Bracket No.	"AK" Fit	"U" Dim.	Motor Frame
75	3	L06315	12-1/2"	1-5/8"	364JP
100	3	L06315	12-1/2"	1-5/8"	365JP

NOTE: For an explanation of the tabulated material found on this page and for impeller key location, refer to **Supplement A** located at the beginning of this section.



BERKELEY® B4EPBMS

Cast Iron Impeller

Flanged Case, Mechanical Shaft Seal Construction

ELECTRIC MOTOR DRIVE

Section	CC
Page	260.6
Date	March 4, 2013
Supersedes 01/01/04	

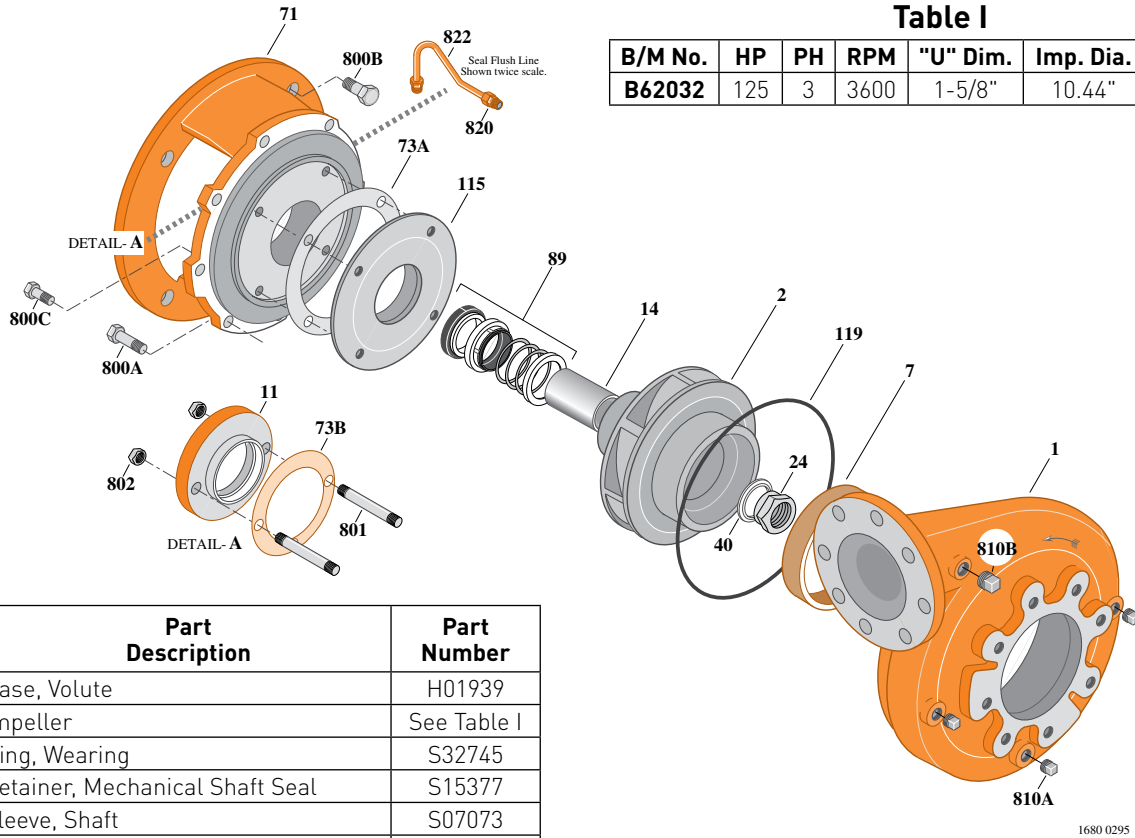


Table I

B/M No.	HP	PH	RPM	"U" Dim.	Imp. Dia.	Imp. No.
B62032	125	3	3600	1-5/8"	10.44"	L05889

Item No.	Part Description	Part Number
1	Case, Volute	H01939
2	Impeller	See Table I
7	Ring, Wearing	S32745
11	Retainer, Mechanical Shaft Seal	S15377
14	Sleeve, Shaft	S07073
24	Locknut, Impeller	S17955
32	Key, 3/8 x 2-1/4" [See Note]	S23940
40	Deflector	S17956
71	Bracket	See Table II
73A	Gasket, Balance Ring	S09943
73B	Gasket, Seal Retainer	S15078
89	Seal, Mechanical Shaft	S32016
115	Ring, Balance	L03837
119	O-Ring	S13760
800A	Capscrew, 1/2 - 13 x 1-1/4" [8 Req.]	S26914
800B	Capscrew, 5/8 - 11 x 1-3/4" [4 Req.]	S27001
800C	Capscrew, 3/8 - 16 x 7/8" [4 Req.]	S26825
801	Stud, 3/8 - 16 x 2-1/2" [2 Req.]	S04438
802	Nut, 3/8 - 16 [2 Req.]	S23343
810A	Plug, Pipe 1/4 NPT [3 Req.]	S23715
810B	Plug, Pipe 1/2 NPT [2 Req.]	S23717
820	Connector, Comp. Fitting [2 Req.]	S24013
822	Tubing, Copper	S20677
•	Plug, Pipe 1/8 NPT (At Seal Bore)	S23714

Table II

HP	PH	Bracket No.	"AK" Fit	"U" Dim.	Motor Frame
125	3	L06315	12-1/2"	1-5/8"	404TC

NOTE: For an explanation of the tabulated material found on this page and for impeller key location, refer to **Supplement A** located at the beginning of this section.

• Not illustrated.



BERKELEY® B4EPBMS

Bronze Impeller

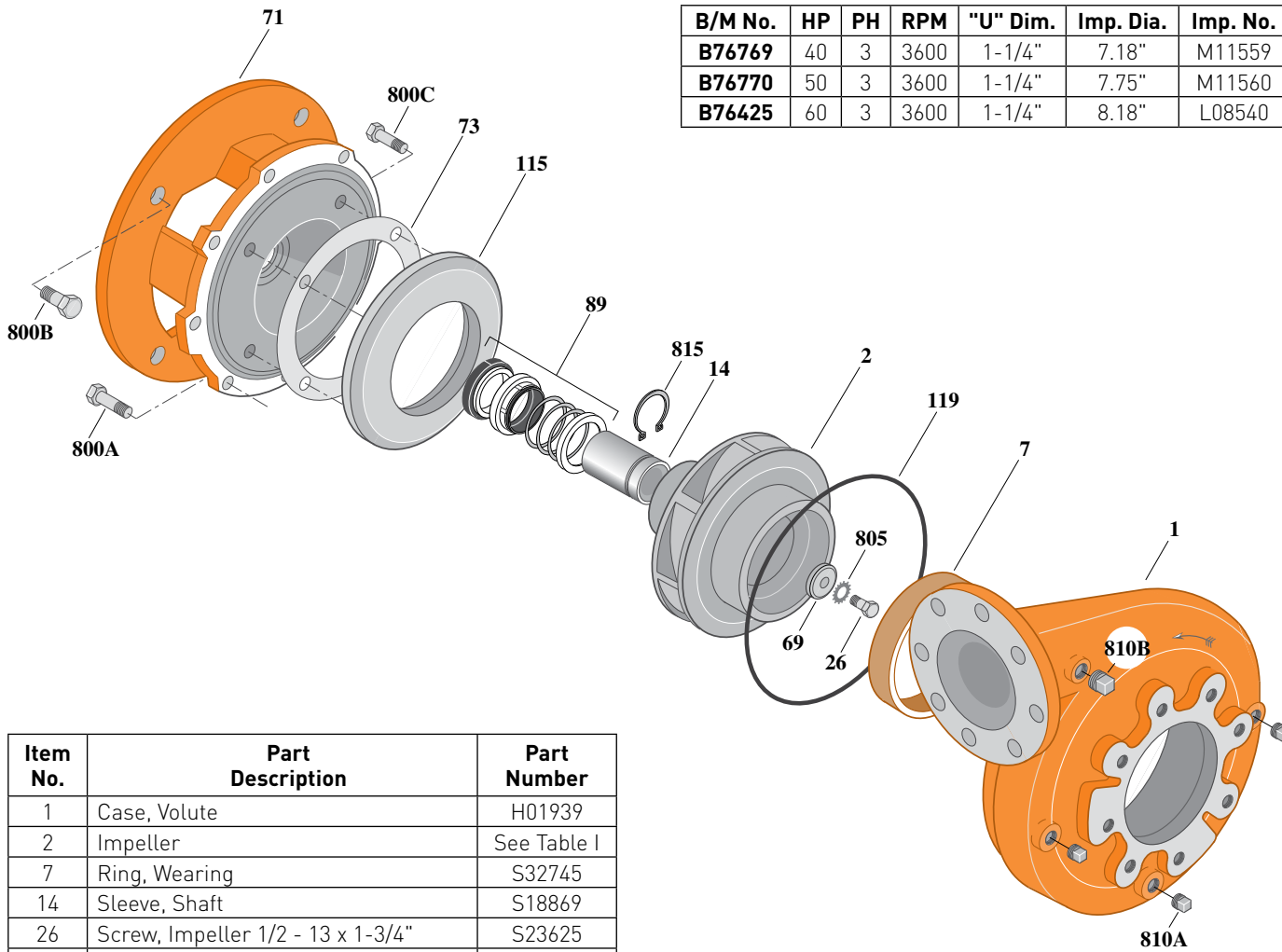
Flanged Case, Mechanical Shaft Seal Construction

ELECTRIC MOTOR DRIVE

Section	CC
Page	260.7
Date	March 4, 2013
Supersedes 01/01/04	

Table I

B/M No.	HP	PH	RPM	"U" Dim.	Imp. Dia.	Imp. No.
B76769	40	3	3600	1-1/4"	7.18"	M11559
B76770	50	3	3600	1-1/4"	7.75"	M11560
B76425	60	3	3600	1-1/4"	8.18"	L08540



1678 0295

Item No.	Part Description	Part Number
1	Case, Volute	H01939
2	Impeller	See Table I
7	Ring, Wearing	S32745
14	Sleeve, Shaft	S18869
26	Screw, Impeller 1/2 - 13 x 1-3/4"	S23625
32	Key, 1/4 x 2-1/4" (See Note)	S23677
69	Washer, Impeller	S18117
71	Bracket	See Table II
73	Gasket, Balance Ring	S09943
89	Seal, Mechanical Shaft	S32015
115	Ring, Balance	L05263
119	O-Ring	S13760
800A	Capscrew, 1/2 - 13 x 1-1/4" [8 Req.]	S26914
800B	Capscrew, 5/8 - 11 x 1-1/2" [4 Req.]	S26999
800C	Capscrew, 3/8 - 16 x 3/4" [4 Req.]	S26824
805	Washer, Lock	S23038
810A	Plug, Pipe 1/4 NPT [3 Req.]	S23715
810B	Plug, Pipe 1/2 NPT [2 Req.]	S23717
815	Ring, Retaining	S16767

Table II

HP	PH	Bracket No.	"AK" Fit	"U" Dim.	Motor Frame
40	3	L04628	12-1/2"	1-1/4"	286JM
50	3	L04628	12-1/2"	1-1/4"	324JM
60	3	L04628	12-1/2"	1-1/4"	326JM

NOTE: For an explanation of the tabulated material found on this page and for impeller key location, refer to **Supplement A** located at the beginning of this section.



BERKELEY® B4EPBMS

Bronze Impeller

Flanged Case, Mechanical Shaft Seal Construction

ELECTRIC MOTOR DRIVE

Section	CC
Page	260.8
Date	March 4, 2013
Supersedes 01/01/04	

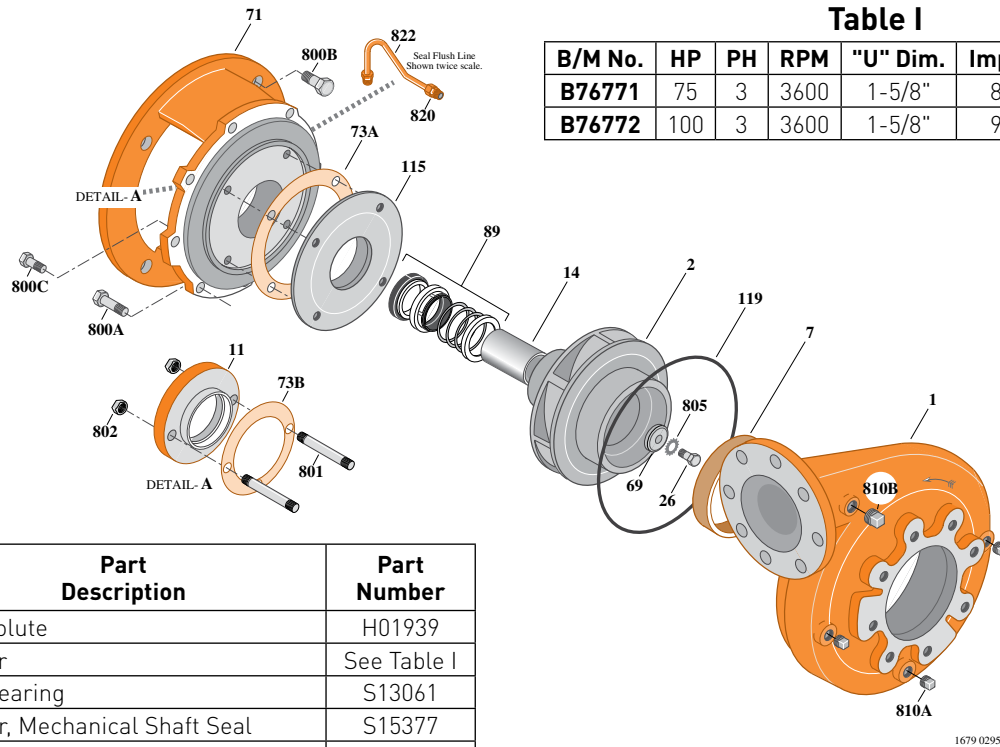


Table I

B/M No.	HP	PH	RPM	"U" Dim.	Imp. Dia.	Imp. No.
B76771	75	3	3600	1-5/8"	8.75"	L08529
B76772	100	3	3600	1-5/8"	9.62"	M11561

Item No.	Part Description	Part Number
1	Case, Volute	H01939
2	Impeller	See Table I
7	Ring, Wearing	S13061
11	Retainer, Mechanical Shaft Seal	S15377
14	Sleeve, Shaft	S07073
26	Screw, Impeller 1/2 - 13 x 1-1/2"	S23623
32	Key, 3/8 x 2" (75 HP) [See Note]	S23939
32	Key, 3/8 x 2-1/4" (100 HP) [See Note]	S23940
69	Washer, Impeller	S18801
71	Bracket	See Table II
73A	Gasket, Balance Ring	S09943
73B	Gasket, Seal Retainer	S15078
89	Seal, Mechanical Shaft	S32016
115	Ring, Balance	L03837
119	O-Ring	S13760
800A	Capscrew, 1/2 - 13 x 1-1/4" [8 Req.]	S26914
800B	Capscrew, 5/8 - 11 x 1-3/4" [4 Req.]	S27001
800C	Capscrew, 3/8 - 16 x 1" [4 Req.]	S26826
801	Stud, 3/8 - 16 x 2-1/2" [2 Req.]	S04438
802	Nut, 3/8 x 16 [2 Req.]	S23343
805	Washer, Lock	S23038
810A	Plug, Pipe 1/4 NPT [3 Req.]	S23715
810B	Plug, Pipe, 1/2 NPT [2 Req.]	S23717
820	Connector, Comp. Fitting [2 Req.]	S24013
822	Tubing, Copper	S20677
•	Plug, Pipe 1/8 NPT [At Seal Bore]	S23714

Table II

HP	PH	Bracket No.	"AK" Fit	"U" Dim.	Motor Frame
75	3	L06315	12-1/2"	1-5/8"	364JP
100	3	L06315	12-1/2"	1-5/8"	365JP

NOTE: For an explanation of the tabulated material found on this page and for impeller key location, refer to **Supplement A** located at the beginning of this section.

• Not illustrated.



BERKELEY® B4EPBMS

Bronze Impeller

Flanged Case, Mechanical Shaft Seal Construction

ELECTRIC MOTOR DRIVE

Section	CC
Page	260.9
Date	March 4, 2013
Supersedes 01/01/04	

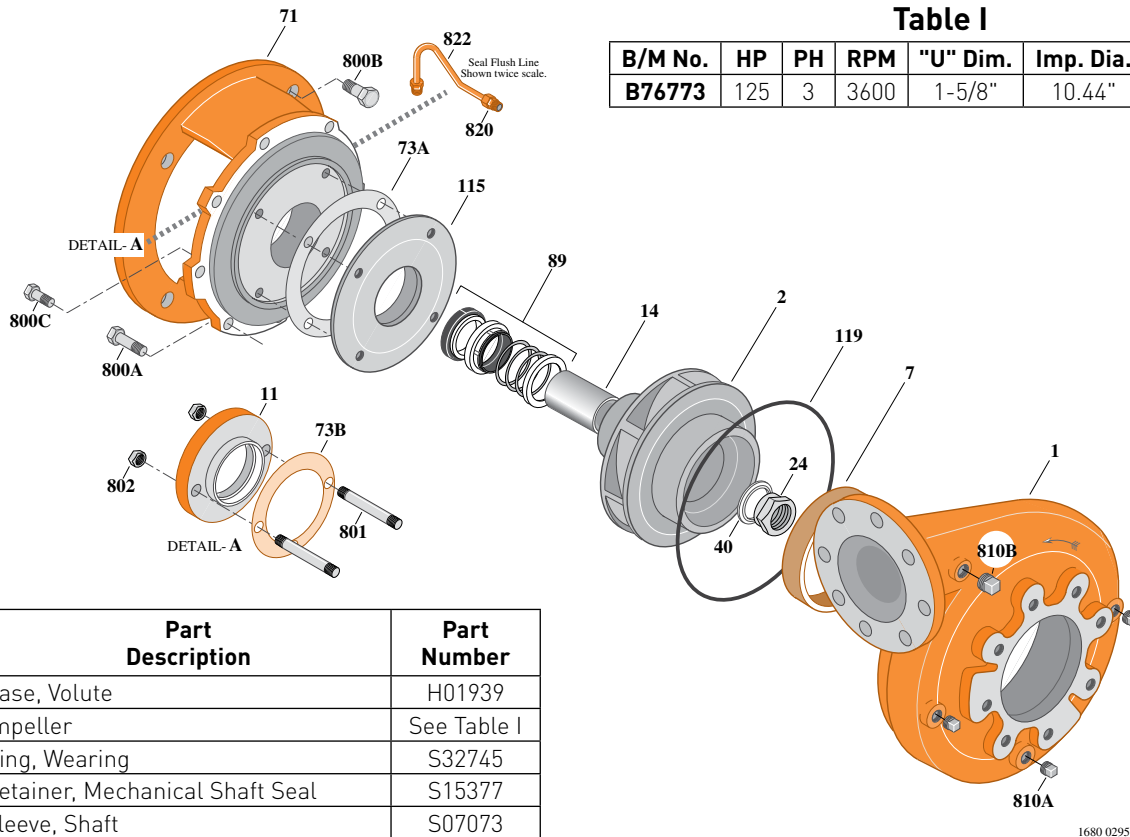


Table I

B/M No.	HP	PH	RPM	"U" Dim.	Imp. Dia.	Imp. No.
B76773	125	3	3600	1-5/8"	10.44"	M11562

Item No.	Part Description	Part Number
1	Case, Volute	H01939
2	Impeller	See Table I
7	Ring, Wearing	S32745
11	Retainer, Mechanical Shaft Seal	S15377
14	Sleeve, Shaft	S07073
24	Locknut, Impeller	S17955
32	Key, 3/8 x 2-1/4" (See Note)	S23940
40	Deflector	S17956
71	Bracket	See Table II
73A	Gasket, Balance Ring	S09943
73B	Gasket, Seal Retainer	S15078
89	Seal, Mechanical Shaft	S32016
115	Ring, Balance	L03837
119	O-Ring	S13760
800A	Capscrew, 1/2 - 13 x 1-1/4" (8 Req.)	S26914
800B	Capscrew, 5/8 - 11 x 1-3/4" (4 Req.)	S27001
800C	Capscrew, 3/8 - 16 x 7/8" (4 Req.)	S26825
801	Stud, 3/8 - 16 x 2-1/2" (2 Req.)	S04438
802	Nut, 3/8 - 16 (2 Req.)	S23343
810A	Plug, Pipe 1/4 NPT (3 Req.)	S23715
810B	Plug, Pipe 1/2 NPT (2 Req.)	S23717
820	Connector, Comp. Fitting (2 Req.)	S24013
822	Tubing, Copper	S20677
•	Plug, Pipe 1/8 NPT (At Seal Bore)	S23714

• Not illustrated.

Table II

HP	PH	Bracket No.	"AK" Fit	"U" Dim.	Motor Frame
125	3	L06315	12-1/2"	1-5/8"	404TC

NOTE: For an explanation of the tabulated material found on this page and for impeller key location, refer to **Supplement A** located at the beginning of this section.



BERKELEY® B4JPBH

Cast Iron Impeller

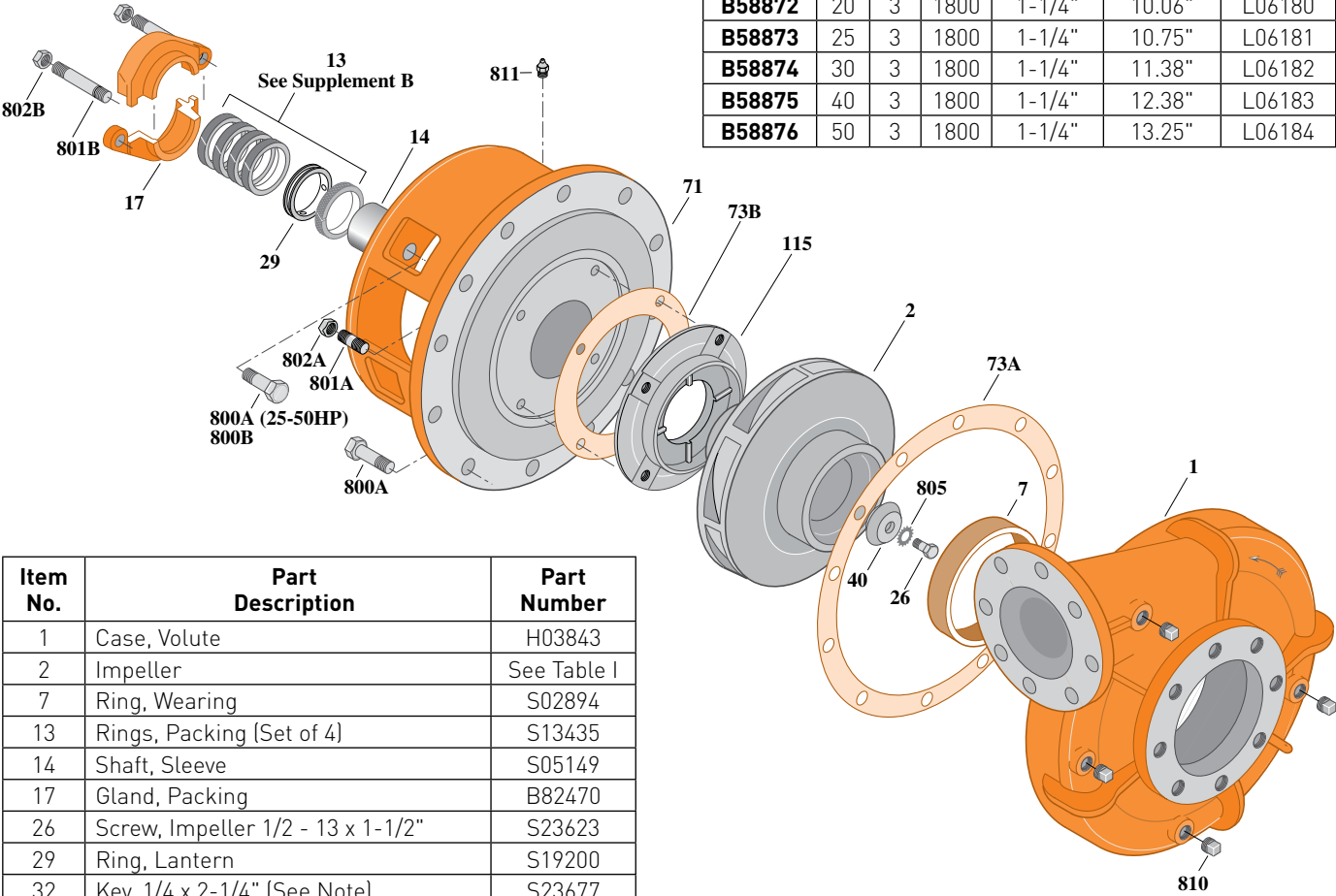
Flanged Case, Packing Construction

ELECTRIC MOTOR DRIVE

Section	CC
Page	270.1
Date	March 4, 2013
Supersedes 01/01/04	

Table I

B/M No.	HP	PH	RPM	"U" Dim.	Imp. Dia.	Imp. No.
B58872	20	3	1800	1-1/4"	10.06"	L06180
B58873	25	3	1800	1-1/4"	10.75"	L06181
B58874	30	3	1800	1-1/4"	11.38"	L06182
B58875	40	3	1800	1-1/4"	12.38"	L06183
B58876	50	3	1800	1-1/4"	13.25"	L06184



Item No.	Part Description	Part Number
1	Case, Volute	H03843
2	Impeller	See Table I
7	Ring, Wearing	S02894
13	Rings, Packing [Set of 4]	S13435
14	Shaft, Sleeve	S05149
17	Gland, Packing	B82470
26	Screw, Impeller 1/2 - 13 x 1-1/2"	S23623
29	Ring, Lantern	S19200
32	Key, 1/4 x 2-1/4" [See Note]	S23677
40	Deflector	S19275
71	Bracket	See Table II
73A	Gasket, Volute	S06271
73B	Gasket, Balance Ring	S09943
115	Ring, Balance	S12315
800A	Capscrew, 5/8 - 11 x 1-1/2" [12 Req.]	S26999
800B	Capscrew, 1/2 - 13 x 1-1/2" [4 Req.]	S26916
801A	Stud, 3/8 - 16 x 1-3/4" [4 Req.]	S23996
801B	Stud, 3/8 - 16 x 2-1/2" [2 Req.]	S04438
802A	Nut, Hex 3/8 - 16 [4 Req.]	S23103
802B	Nut, Hex 3/8 - 16 [2 Req.]	S23343
805	Washer, Lock	S23038
810	Plug, Pipe 1/2 NPT [4 Req.]	S23717
811	Fitting, Grease	S23700
812	Elbow, Street	S25421

Table II

HP	PH	Bracket No.	"AK" Fit	"U" Dim.	Motor Frame
20	3	H02384	8-1/2"	1-1/4"	256JP
25	3	H01601	12-1/2"	1-1/4"	284JP
30	3	H01601	12-1/2"	1-1/4"	286JP
40	3	H01601	12-1/2"	1-1/4"	324JP
50	3	H01601	12-1/2"	1-1/4"	326JP

NOTE: For an explanation of the tabulated material found on this page and for impeller key location, refer to **Supplement A** located at the beginning of this section.



BERKELEY® B4JPBH

Bronze Impeller

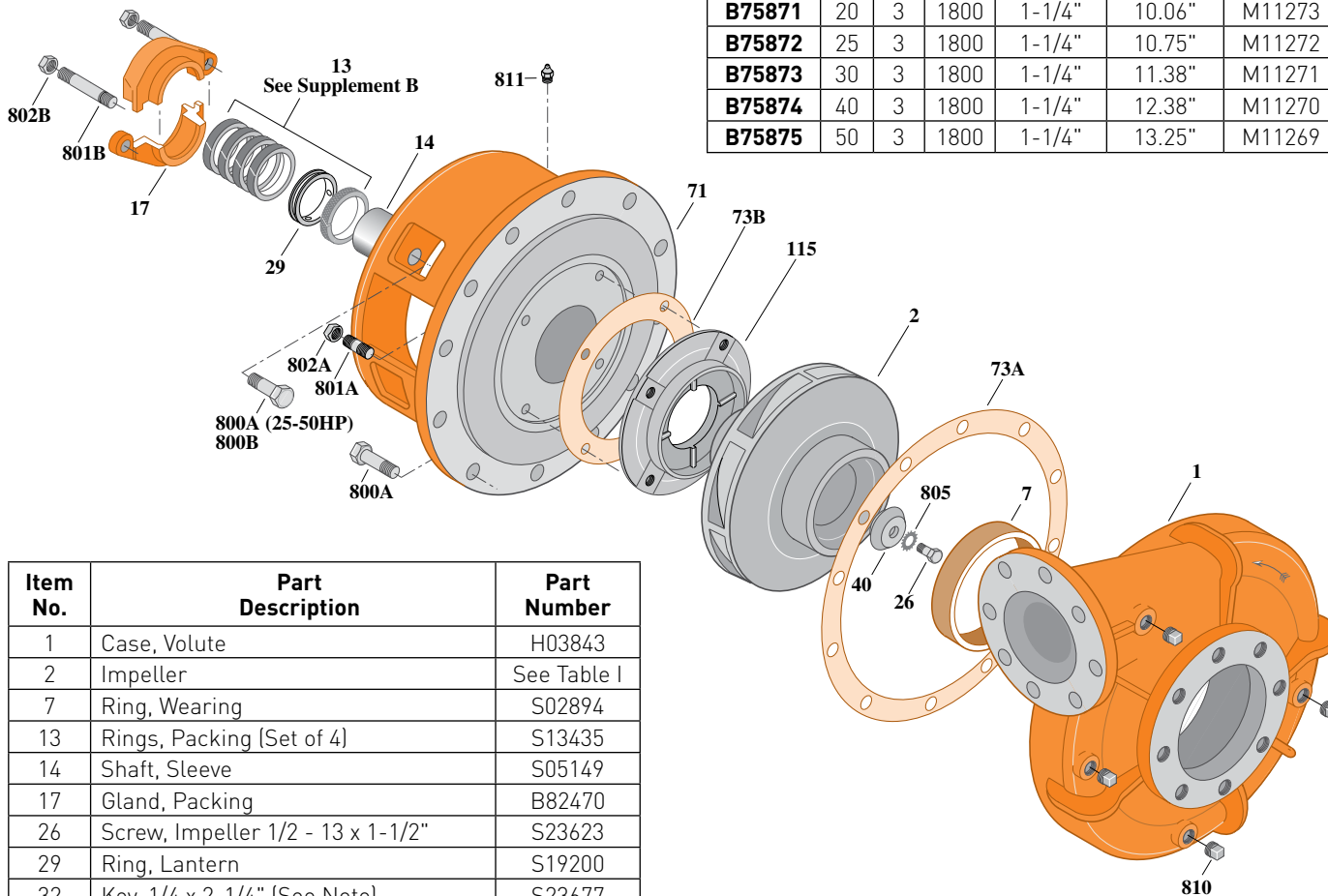
Flanged Case, Packing Construction

ELECTRIC MOTOR DRIVE

Section	CC
Page	270.2.1
Date	March 4, 2013
Supersedes 01/01/04	

Table I

B/M No.	HP	PH	RPM	"U" Dim.	Imp. Dia.	Imp. No.
B75871	20	3	1800	1-1/4"	10.06"	M11273
B75872	25	3	1800	1-1/4"	10.75"	M11272
B75873	30	3	1800	1-1/4"	11.38"	M11271
B75874	40	3	1800	1-1/4"	12.38"	M11270
B75875	50	3	1800	1-1/4"	13.25"	M11269



Item No.	Part Description	Part Number
1	Case, Volute	H03843
2	Impeller	See Table I
7	Ring, Wearing	S02894
13	Rings, Packing (Set of 4)	S13435
14	Shaft, Sleeve	S05149
17	Gland, Packing	B82470
26	Screw, Impeller 1/2 - 13 x 1-1/2"	S23623
29	Ring, Lantern	S19200
32	Key, 1/4 x 2-1/4" (See Note)	S23677
40	Deflector	S19275
71	Bracket	See Table II
73A	Gasket, Volute	S06271
73B	Gasket, Balance Ring	S09943
115	Ring, Balance	S12315
800A	Capscrew, 5/8 - 11 x 1-1/2" (12 Req.)	S26999
800B	Capscrew, 1/2 - 13 x 1-1/2" (4 Req.)	S26916
801A	Stud, 3/8 - 16 x 1-3/4" (4 Req.)	S23996
801B	Stud, 3/8 - 16 x 2-1/2" (2 Req.)	S04438
802A	Nut, Hex 3/8 - 16 (4 Req.)	S23103
802B	Nut, Hex 3/8 - 16 (2 Req.)	S23343
805	Washer, Lock	S23038
810	Plug, Pipe 1/2 NPT (4 Req.)	S23717
811	Fitting, Grease	S23700
812	Elbow, Street	S25421

Table II

HP	PH	Bracket No.	"AK" Fit	"U" Dim.	Motor Frame
20	3	H02384	8-1/2"	1-1/4"	256JP
25	3	H01601	12-1/2"	1-1/4"	284JP
30	3	H01601	12-1/2"	1-1/4"	286JP
40	3	H01601	12-1/2"	1-1/4"	324JP
50	3	H01601	12-1/2"	1-1/4"	326JP

NOTE: For an explanation of the tabulated material found on this page and for impeller key location, refer to **Supplement A** located at the beginning of this section.



BERKELEY® B4JPBHS

Bronze Impeller

Flanged Case, Mechanical Shaft Seal Construction

ELECTRIC MOTOR DRIVE

Section	CC
Page	270.2.2
Date	March 4, 2013
Supersedes 01/01/04	

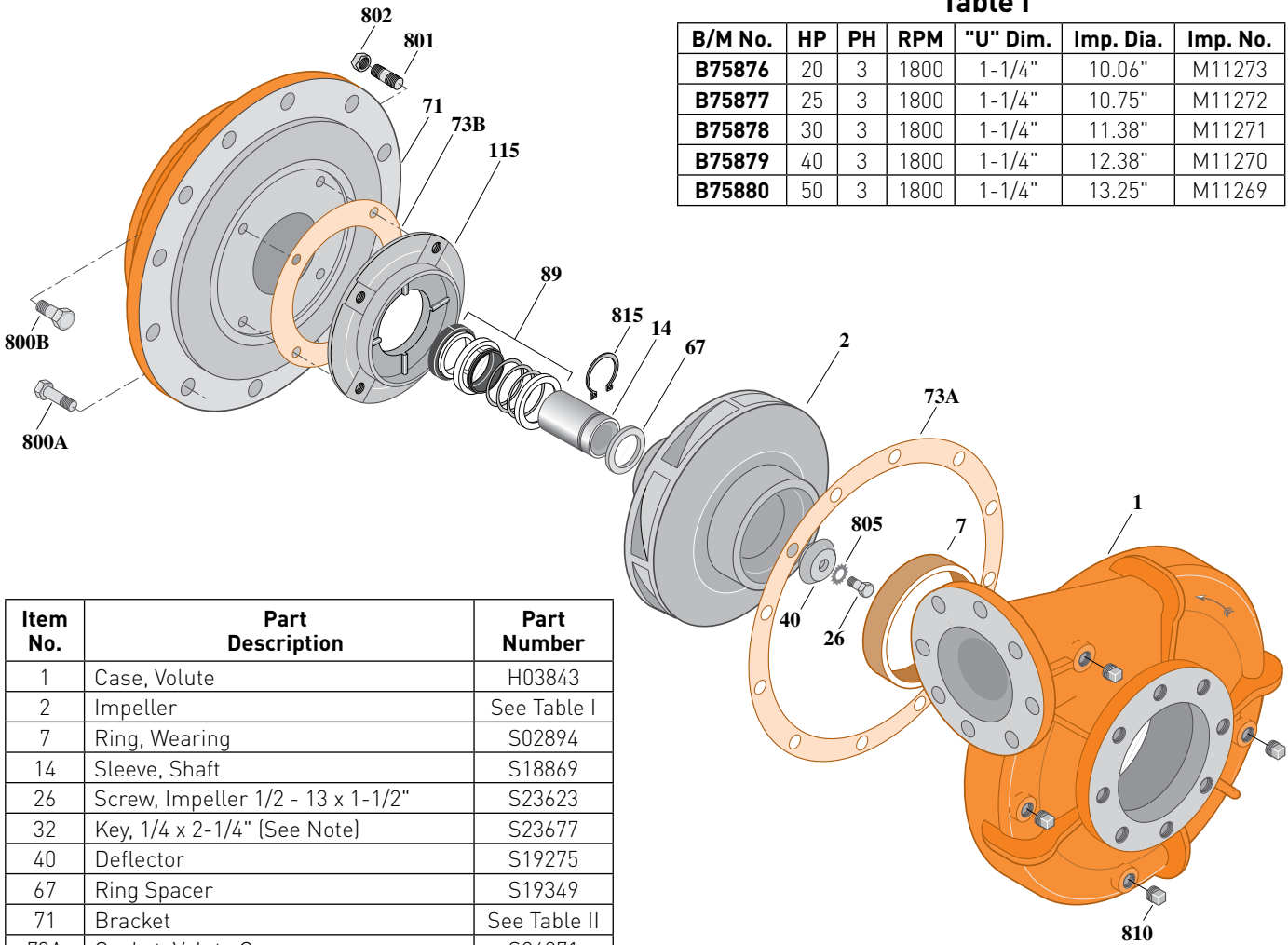


Table I

B/M No.	HP	PH	RPM	"U" Dim.	Imp. Dia.	Imp. No.
B75876	20	3	1800	1-1/4"	10.06"	M11273
B75877	25	3	1800	1-1/4"	10.75"	M11272
B75878	30	3	1800	1-1/4"	11.38"	M11271
B75879	40	3	1800	1-1/4"	12.38"	M11270
B75880	50	3	1800	1-1/4"	13.25"	M11269

Item No.	Part Description	Part Number
1	Case, Volute	H03843
2	Impeller	See Table I
7	Ring, Wearing	S02894
14	Sleeve, Shaft	S18869
26	Screw, Impeller 1/2 - 13 x 1-1/2"	S23623
32	Key, 1/4 x 2-1/4" [See Note]	S23677
40	Deflector	S19275
67	Ring Spacer	S19349
71	Bracket	See Table II
73A	Gasket, Volute Case	S06271
73B	Gasket, Balance Ring	S09943
89	Seal, Mechanical Shaft	S32015
115	Ring, Balance	S19105
800A	Capscrew, 5/8 - 11 x 1-1/2" [12 Req.] [8-1/2 AK]	S26999
800A	Capscrew, 5/8 - 11 x 1-1/2" [16 Req.] [12-1/2 AK]	S26999
800B	Capscrew, 1/2 - 13 x 1-1/2" [4 Req.] [8-1/2 AK Only]	S26916
801	Stud, 3/8 - 16 x 1-3/8" [4 Req.]	S09942
802	Nut, 3/8 - 16 [4 Req.]	S23103
805	Washer, Lock	S23038
810	Plug, Pipe 1/2 NPT [4 Req.]	S23717
815	Ring, Retaining	S16767

Table II

HP	PH	Bracket No.	"AK" Fit	"U" Dim.	Motor Frame
20	3	H03300	8-1/2"	1-1/4"	256JM
25	3	H03301	12-1/2"	1-1/4"	284JM
30	3	H03301	12-1/2"	1-1/4"	286JM
40	3	H03301	12-1/2"	1-1/4"	324JM
50	3	H03301	12-1/2"	1-1/4"	326JM

NOTE: For an explanation of the tabulated material found on this page and for impeller key location, refer to **Supplement A** located at the beginning of this section.



BERKELEY® B4JPBHS

Cast Iron Impeller

Flanged Case, Mechanical Shaft Seal Construction

ELECTRIC MOTOR DRIVE

Section	CC
Page	270.2
Date	March 4, 2013
Supersedes 01/01/04	

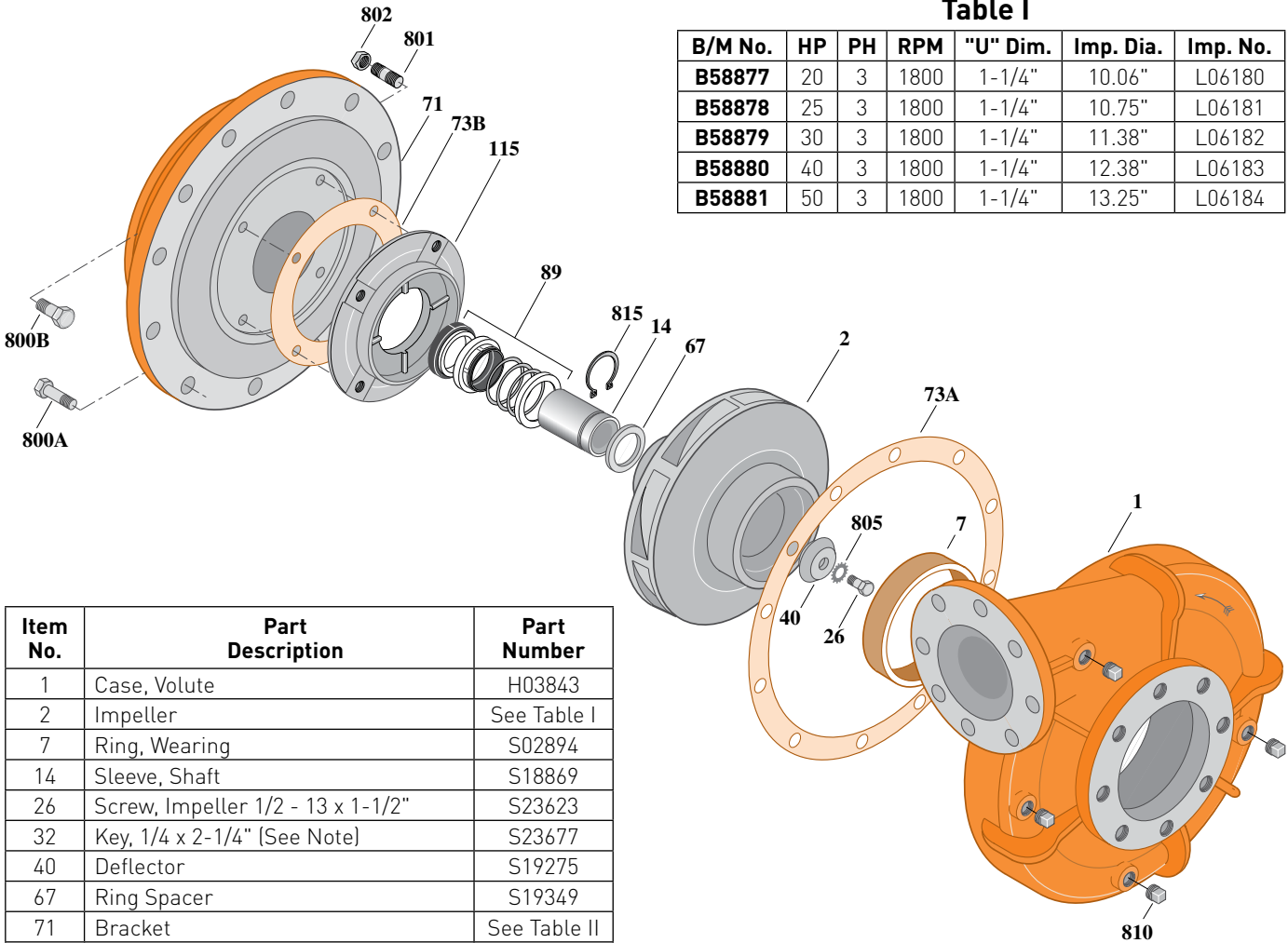


Table I

B/M No.	HP	PH	RPM	"U" Dim.	Imp. Dia.	Imp. No.
B58877	20	3	1800	1-1/4"	10.06"	LO6180
B58878	25	3	1800	1-1/4"	10.75"	LO6181
B58879	30	3	1800	1-1/4"	11.38"	LO6182
B58880	40	3	1800	1-1/4"	12.38"	LO6183
B58881	50	3	1800	1-1/4"	13.25"	LO6184

Item No.	Part Description	Part Number
1	Case, Volute	H03843
2	Impeller	See Table I
7	Ring, Wearing	S02894
14	Sleeve, Shaft	S18869
26	Screw, Impeller 1/2 - 13 x 1-1/2"	S23623
32	Key, 1/4 x 2-1/4" [See Note]	S23677
40	Deflector	S19275
67	Ring Spacer	S19349
71	Bracket	See Table II
73A	Gasket, Volute Case	S06271
73B	Gasket, Balance Ring	S09943
89	Seal, Mechanical Shaft	S32015
115	Ring, Balance	S19105
800A	Capscrew, 5/8 - 11 x 1-1/2" (12 Req.) [8-1/2 AK]	S26999
800A	Capscrew, 5/8 - 11 x 1-1/2" (16 Req.) [12-1/2 AK]	S26999
800B	Capscrew, 1/2 - 13 x 1-1/2" (4 Req.) [8-1/2 AK Only]	S26916
801	Stud, 3/8 - 16 x 1-3/8" [4 Req.]	S09942
802	Nut, 3/8 - 16 [4 Req.]	S23103
805	Washer, Lock	S23038
810	Plug, Pipe 1/2 NPT [4 Req.]	S23717
815	Ring, Retaining	S16767

Table II

HP	PH	Bracket No.	"AK" Fit	"U" Dim.	Motor Frame
20	3	H03300	8-1/2"	1-1/4"	256JM
25	3	H03301	12-1/2"	1-1/4"	284JM
30	3	H03301	12-1/2"	1-1/4"	286JM
40	3	H03301	12-1/2"	1-1/4"	324JM
50	3	H03301	12-1/2"	1-1/4"	326JM

NOTE: For an explanation of the tabulated material found on this page and for impeller key location, refer to **Supplement A** located at the beginning of this section.



BERKELEY® B4JPBHH

Cast Iron Impeller

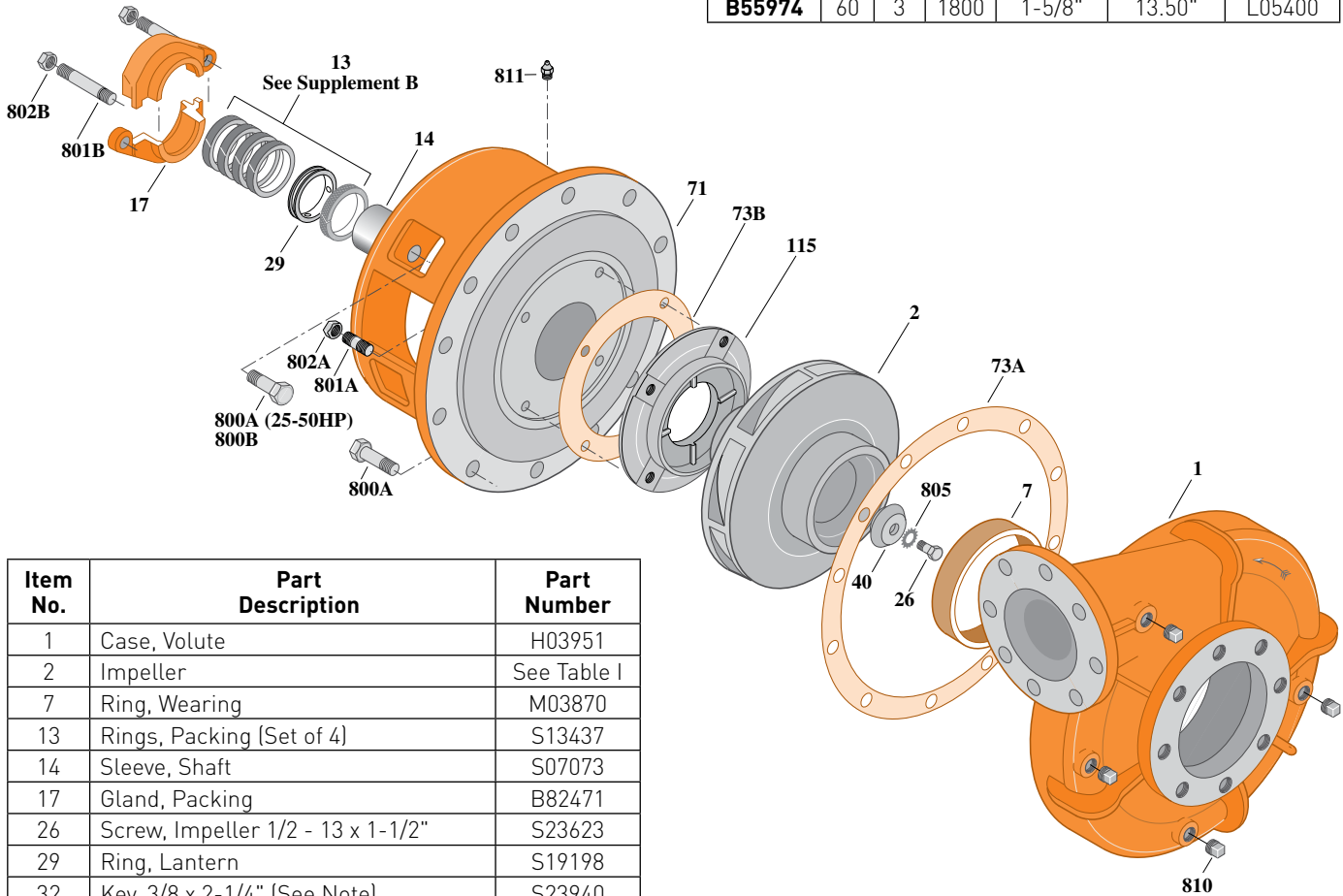
Flanged Case, Packing Construction

ELECTRIC MOTOR DRIVE

Section	CC
Page	270.3
Date	March 4, 2013
Supersedes 01/01/04	

Table I

B/M No.	HP	PH	RPM	"U" Dim.	Imp. Dia.	Imp. No.
B55974	60	3	1800	1-5/8"	13.50"	L05400



1770 0495

Item No.	Part Description	Part Number
1	Case, Volute	H03951
2	Impeller	See Table I
7	Ring, Wearing	M03870
13	Rings, Packing (Set of 4)	S13437
14	Sleeve, Shaft	S07073
17	Gland, Packing	B82471
26	Screw, Impeller 1/2 - 13 x 1-1/2"	S23623
29	Ring, Lantern	S19198
32	Key, 3/8 x 2-1/4" (See Note)	S23940
40	Deflector	S18801
71	Bracket	See Table II
73A	Gasket, Volute	S06271
73B	Gasket, Balance Ring	S09943
115	Ring, Balance	S19521
800A	Capscrew, 5/8 - 11 x 1-1/2" (12 Req.)	S26999
800B	Capscrew, 5/8 - 11 x 1-3/4" (4 Req.)	S27001
801A	Stud, 3/8 - 16 x 1-3/4" (4 Req.)	S23996
801B	Stud, 3/8 - 16 x 2-1/2" (2 Req.)	S04438
802A	Nut, Hex 3/8 - 16 (4 Req.)	S23103
802B	Nut, Hex 3/8 - 16 (2 Req.)	S23343
805	Washer, Lock	S23038
810	Plug, Pipe 1/2 NPT (4 Req.)	S23717
811	Fitting, Grease	S23700
812	Elbow, Street	S25421

Table II

HP	PH	Bracket No.	"AK" Fit	"U" Dim.	Motor Frame
60	3	H03622	12-1/2"	1-5/8"	364JP

NOTE: For an explanation of the tabulated material found on this page and for impeller key location, refer to **Supplement A** located at the beginning of this section.



BERKELEY® B4JPBHHS

ELECTRIC MOTOR DRIVE

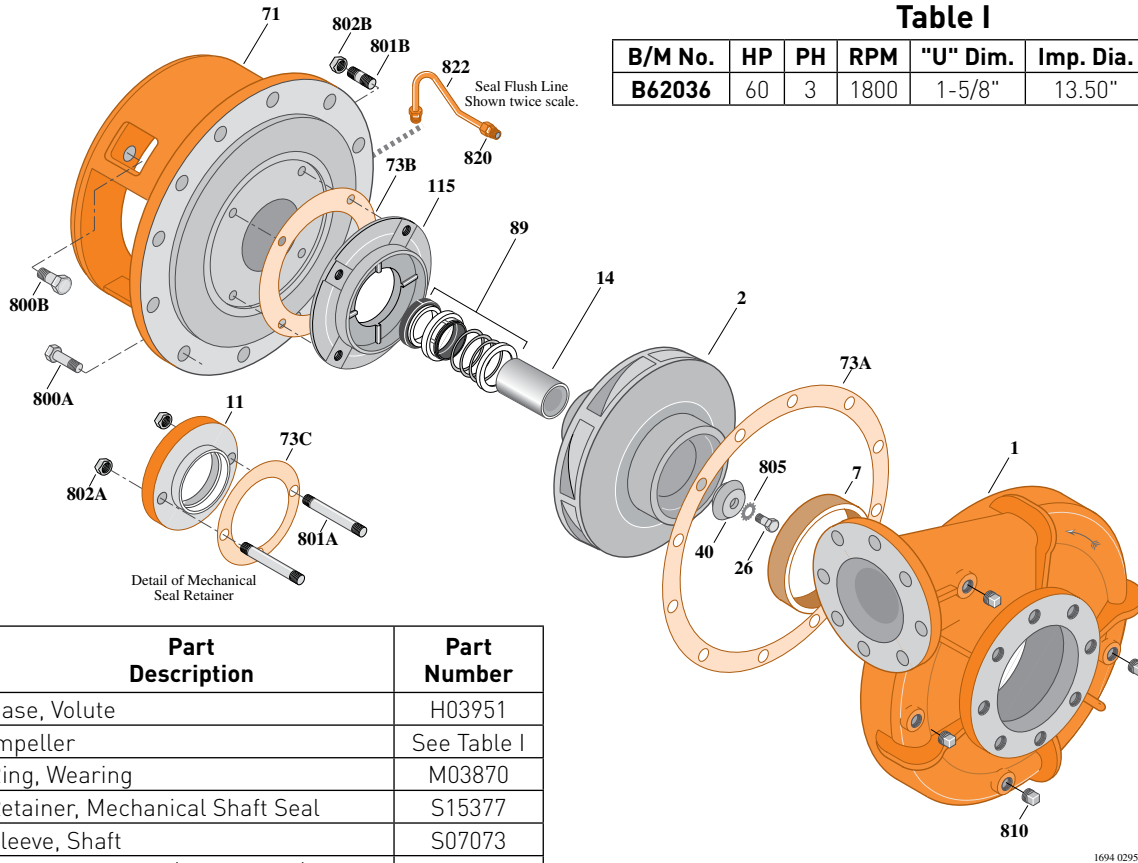
Cast Iron Impeller

Flanged Case, Mechanical Shaft Seal Construction

Section	CC
Page	270.4
Date	March 4, 2013
Supersedes 01/01/04	

Table I

B/M No.	HP	PH	RPM	"U" Dim.	Imp. Dia.	Imp. No.
B62036	60	3	1800	1-5/8"	13.50"	L05400



Item No.	Part Description	Part Number
1	Case, Volute	H03951
2	Impeller	See Table I
7	Ring, Wearing	M03870
11	Retainer, Mechanical Shaft Seal	S15377
14	Sleeve, Shaft	S07073
26	Screw, Impeller 1/2 - 13 x 1-1/2"	S23623
32	Key, 3/8 x 2-1/4" [See Note]	S23940
40	Deflector	S18801
71	Bracket	See Table II
73A	Gasket, Volute Case	S06271
73B	Gasket, Balance Ring	S09943
73C	Gasket, Seal Retainer	S15078
89	Seal, Mechanical Shaft	S32016
115	Ring, Balance	S19521
800A	Capscrew, 5/8 - 11 x 1-1/2" [12 Req.]	S26999
800B	Capscrew, 5/8 - 11 x 1-3/4" [4 Req.]	S27001
801A	Stud, 3/8 - 16 x 2-1/2" [2 Req.]	S04438
802A	Nut, 3/8 - 16	S23343
801B	Stud, 3/8 - 16 x 1-3/4" [4 Req.]	S23996
802B	Nut, 3/8 - 16 [4 Req.]	S23013
805	Washer, Lock	S23038
810	Plug, Pipe 1/2 NPT	S23717
820	Connector, Comp. Fitting [2 Req.]	S24013
822	Tubing, Copper	S20677
•	Plug, Pipe 1/8 NPT [Not Illustrated]	S23714

Table II

HP	PH	Bracket No.	"AK" Fit	"U" Dim.	Motor Frame
60	3	H03936	12-1/2"	1-5/8"	364JP

NOTE: For an explanation of the tabulated material found on this page and for impeller key location, refer to **Supplement A** located at the beginning of this section.



BERKELEY® B4GPBH

Silicon Bronze Impeller

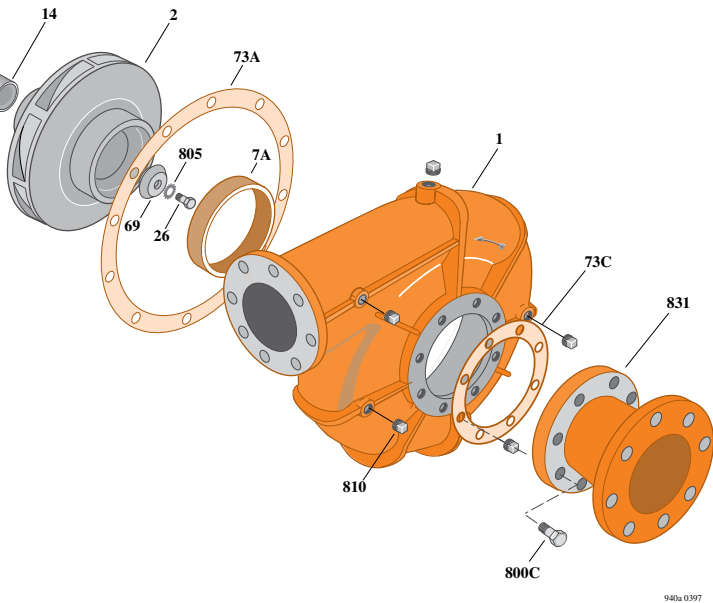
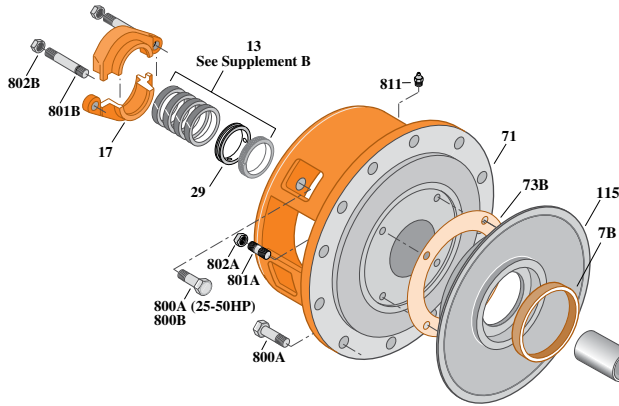
Flanged Case, Packing Construction

ELECTRIC MOTOR DRIVE

Section	CC
Page	275.1
Date	March 4, 2013
Supersedes 01/01/04	

Table I

B/M No.	HP	PH	RPM	"U" Dim.	Imp. Dia.	Imp. No.
B75868	15	3	1750	1-1/4"	9.50"	M11268
B75859	20	3	1750	1-1/4"	10.31"	M11267
B75858	25	3	1750	1-1/4"	11.06"	M11266
B75857	30	3	1750	1-1/4"	11.69"	M11265
B75856	40	3	1750	1-1/4"	12.56"	M11264
B75855	50	3	1750	1-1/4"	12.75"	H05779



Item No.	Part Description	Part Number
1	Case, Volute	H05778
2	Impeller	See Table I
7A	Ring, Wearing	M11195
7B	Ring, Wearing	M11194
13	Ring, Packing (Set of 5)	S13435
14	Sleeve, Shaft	S05149
17	Gland, Packing	B82470
26	Screw, Impeller 5/8 - 11 x 1-3/4"	S27001
29	Ring, Lantern	S19200
69	Deflector	S06319
71	Bracket	See Table II
73A	Gasket, Volute Case	S06271
73B	Gasket, Balance Ring	S09943
73C	Gasket, Eccentric Reducer	S10367
115	Ring, Balance	H05781
800A	Capscrew, 5/8 - 11 x 1-1/2" (16 Req.) (12-1/2 AK)	S26999
800A	Capscrew, 5/8 - 11 x 1-1/2" (12 Req.) (8-1/2 AK)	S26999
800B	Capscrew, 1/2 - 13 x 1-1/2" (4 Req.) (8-1/2 AK Only)	S26916
800C	Capscrew, 3/4" - 10 x 1-3/4" (8 Req.)	S27327
801A	Stud, 3/8 - 16 x 1-3/8" (4 Req.)	S09942
801B	Stud, 3/8 - 16 x 2-1/2" (2 Req.)	S04438
802A	Nut, 3/8 - 16 (4 Req.)	S23103
802B	Nut, 3/8 - 16 (2 Req.)	S23343
805	Washer, Lock	S23038
810	Plug, Pipe 1/2 NPT (6 Req.)	S23717
811	Fitting, Grease	S23700
831	Reducer, Eccentric	H05780

Table II

HP	PH	Bracket No.	"AK" Fit	"U" Dim.	Motor Frame
15	3	H02384	8-1/2"	1-1/4"	254TCZ/JP
20	3	H02384	8-1/2"	1-1/4"	256JP/TCZ
25	3	H01601	12-1/2"	1-1/4"	284JP
30	3	H01601	12-1/2"	1-1/4"	286JP
40	3	H01601	12-1/2"	1-1/4"	324JP/TCZ
50	3	H01601	12-1/2"	1-1/4"	326JP

NOTE: For an explanation of the tabulated material found on this page and for impeller key location, refer to **Supplement A** located at the beginning of this section.



BERKELEY® B4GPBHS Silicon Bronze Impeller

Flanged Case, Mechanical Shaft Seal Construction

ELECTRIC MOTOR DRIVE

Section	CC
Page	275.2
Date	March 4, 2013
Supersedes 01/01/04	

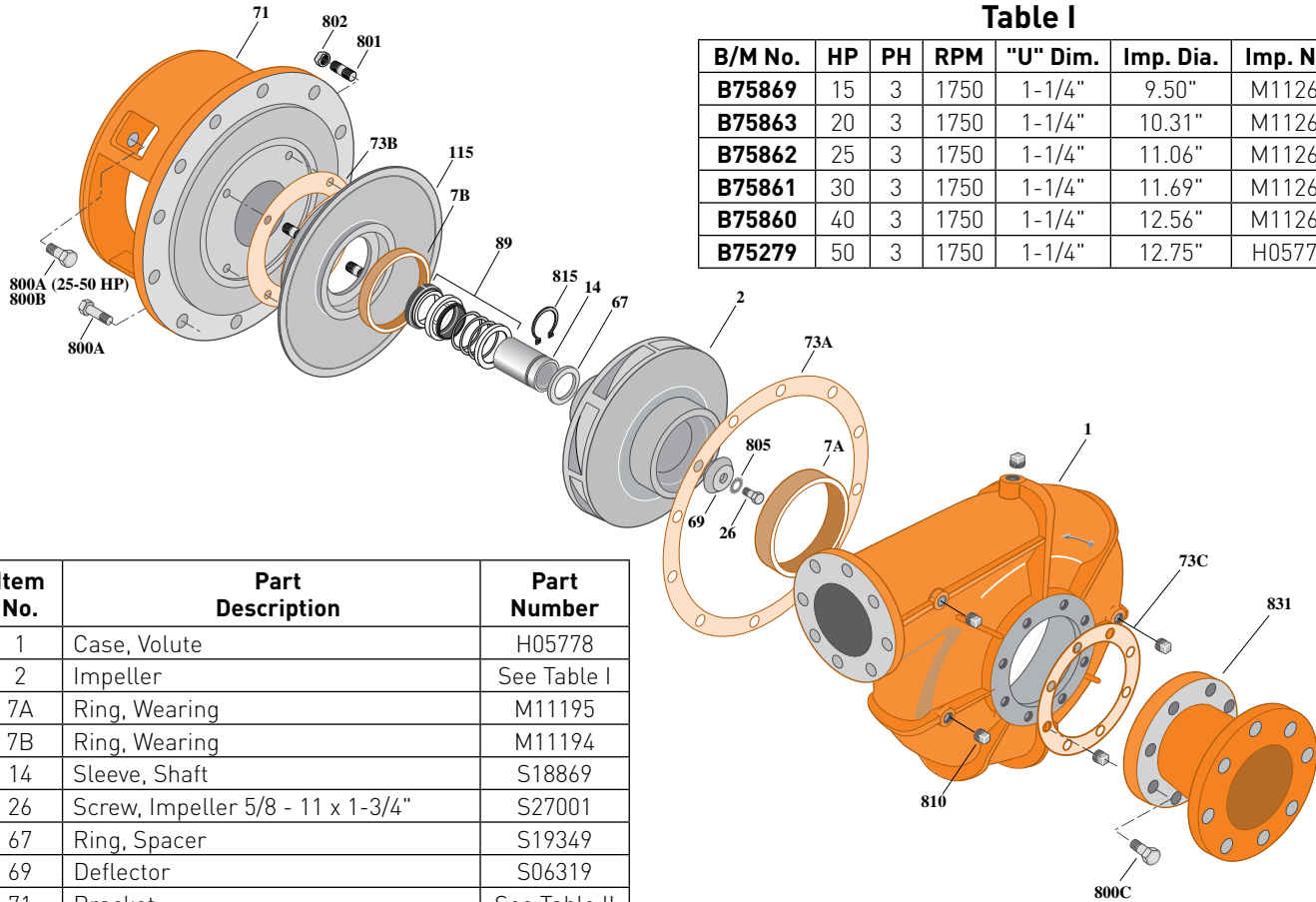


Table I

B/M No.	HP	PH	RPM	"U" Dim.	Imp. Dia.	Imp. No.
B75869	15	3	1750	1-1/4"	9.50"	M11268
B75863	20	3	1750	1-1/4"	10.31"	M11267
B75862	25	3	1750	1-1/4"	11.06"	M11266
B75861	30	3	1750	1-1/4"	11.69"	M11265
B75860	40	3	1750	1-1/4"	12.56"	M11264
B75279	50	3	1750	1-1/4"	12.75"	H05779

Item No.	Part Description	Part Number
1	Case, Volute	H05778
2	Impeller	See Table I
7A	Ring, Wearing	M11195
7B	Ring, Wearing	M11194
14	Sleeve, Shaft	S18869
26	Screw, Impeller 5/8 - 11 x 1-3/4"	S27001
67	Ring, Spacer	S19349
69	Deflector	S06319
71	Bracket	See Table II
73A	Gasket, Volute Case	S06271
73B	Gasket, Balance Ring	S09943
73C	Gasket, Eccentric Reducer	S10367
89	Seal, Mechanical Shaft	S32015
115	Ring, Balance	H05781
800A	Cap screw, 5/8 - 11 x 1-1/2" [16 Req.] [12-1/2 AK]	S26999
800A	Cap screw, 5/8 - 11 x 1-1/2" [12 Req.] [8-1/2 AK]	S26999
800B	Cap screw, 1/2 - 13 x 1-1/2" [4 Req.] [8-1/2 AK Only]	S26916
800C	Cap screw, 3/4" - 10 x 1-3/4" [8 Req.]	S27327
801	Stud, 3/8 - 16 x 1-3/8" [4 Req.]	S09942
802	Nut, 3/8 - 16 [4 Req.]	S23103
805	Washer, Lock	S23038
810	Plug, Pipe 1/2 NPT [6 Req.]	S23717
815	Ring, Retaining	S16767
831	Reducer, Eccentric	H05780

Table II

HP	PH	Bracket No.	"AK" Fit	"U" Dim.	Motor Frame
15	3	H03300	8-1/2"	1-1/4"	254JM
20	3	H03300	8-1/2"	1-1/4"	256JM
25	3	H03301	12-1/2"	1-1/4"	284JM
30	3	H03301	12-1/2"	1-1/4"	286JM
40	3	H03301	12-1/2"	1-1/4"	324JM
50	3	H03301	12-1/2"	1-1/4"	326JM

NOTE: For an explanation of the tabulated material found on this page and for impeller key location, refer to **Supplement A** located at the beginning of this section.



BERKELEY® B4GPBH

Silicon Bronze Impeller

Flanged Case, Packing Construction

ELECTRIC MOTOR DRIVE

Section	CC
Page	275.3
Date	March 4, 2013
Supersedes 01/01/04	

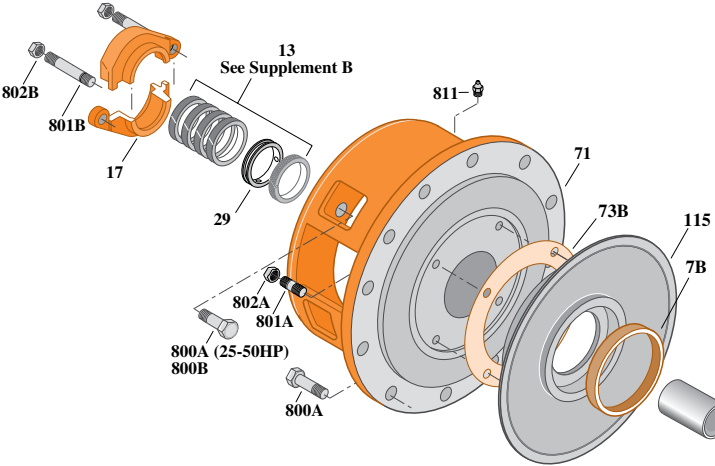


Table I

B/M No.	HP	PH	RPM	"U" Dim.	Imp. Dia.	Imp. No.
B80470	15	3	1750	1-1/4"	9.50"	M11268
B80472	20	3	1750	1-1/4"	10.31"	M11267
B80474	25	3	1750	1-1/4"	11.06"	M11266
B80476	30	3	1750	1-1/4"	11.69"	M11265
B80478	40	3	1750	1-1/4"	12.56"	M11264
B80480	50	3	1750	1-1/4"	12.75"	H05779

Item No.	Part Description	Part Number
1	Case, Volute	H05778
2	Impeller	See Table I
7A	Ring, Wearing	M11195
7B	Ring, Wearing	M11194
13	Ring, Packing (Set of 5)	S13435
14	Sleeve, Shaft	S05149
17	Gland, Packing	B82470
26	Screw, Impeller 5/8 - 11 x 1-3/4"	S27001
29	Ring, Lantern	S19200
69	Deflector	S06319
71	Bracket	See Table II
73A	Gasket, Volute Case	S06271
73B	Gasket, Balance Ring	S09943
115	Ring, Balance	H05781
800A	Capscrew, 5/8 - 11 x 1-1/2" (16 Req.) (12-1/2 AK)	S26999
800A	Capscrew, 5/8 - 11 x 1-1/2" (12 Req.) (8-1/2 AK)	S26999
800B	Capscrew, 1/2 - 13 x 1-1/2" (4 Req.) (8-1/2 AK Only)	S26916
801A	Stud, 3/8 - 16 x 1-3/8" (4 Req.)	S09942
801B	Stud, 3/8 - 16 x 2-1/2" (2 Req.)	S04438
802A	Nut, 3/8 - 16 (4 Req.)	S23103
802B	Nut, 3/8 - 16 (2 Req.)	S23343
805	Washer, Lock	S23038
810	Plug, Pipe 1/2 NPT (6 Req.)	S23717
811	Fitting, Grease	S23700

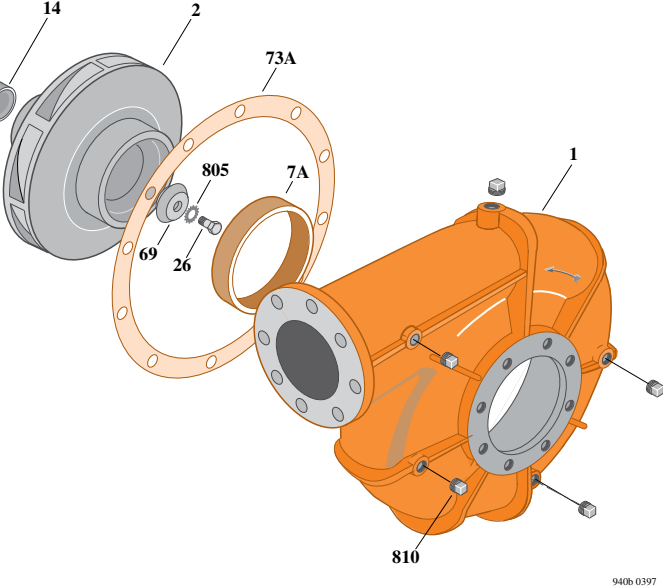


Table II

HP	PH	Bracket No.	"AK" Fit	"U" Dim.	Motor Frame
15	3	H02384	8-1/2"	1-1/4"	254TCZ/JP
20	3	H02384	8-1/2"	1-1/4"	256JP/TCZ
25	3	H01601	12-1/2"	1-1/4"	284JP
30	3	H01601	12-1/2"	1-1/4"	286JP
40	3	H01601	12-1/2"	1-1/4"	324JP/TCZ
50	3	H01601	12-1/2"	1-1/4"	326JP

NOTE: For an explanation of the tabulated material found on this page and for impeller key location, refer to **Supplement A** located at the beginning of this section.



BERKELEY® B4GPBHS Silicon Bronze Impeller

Flanged Case, Mechanical Shaft Seal Construction

ELECTRIC MOTOR DRIVE

Section	CC
Page	275.4
Date	March 4, 2013
Supersedes 01/01/04	

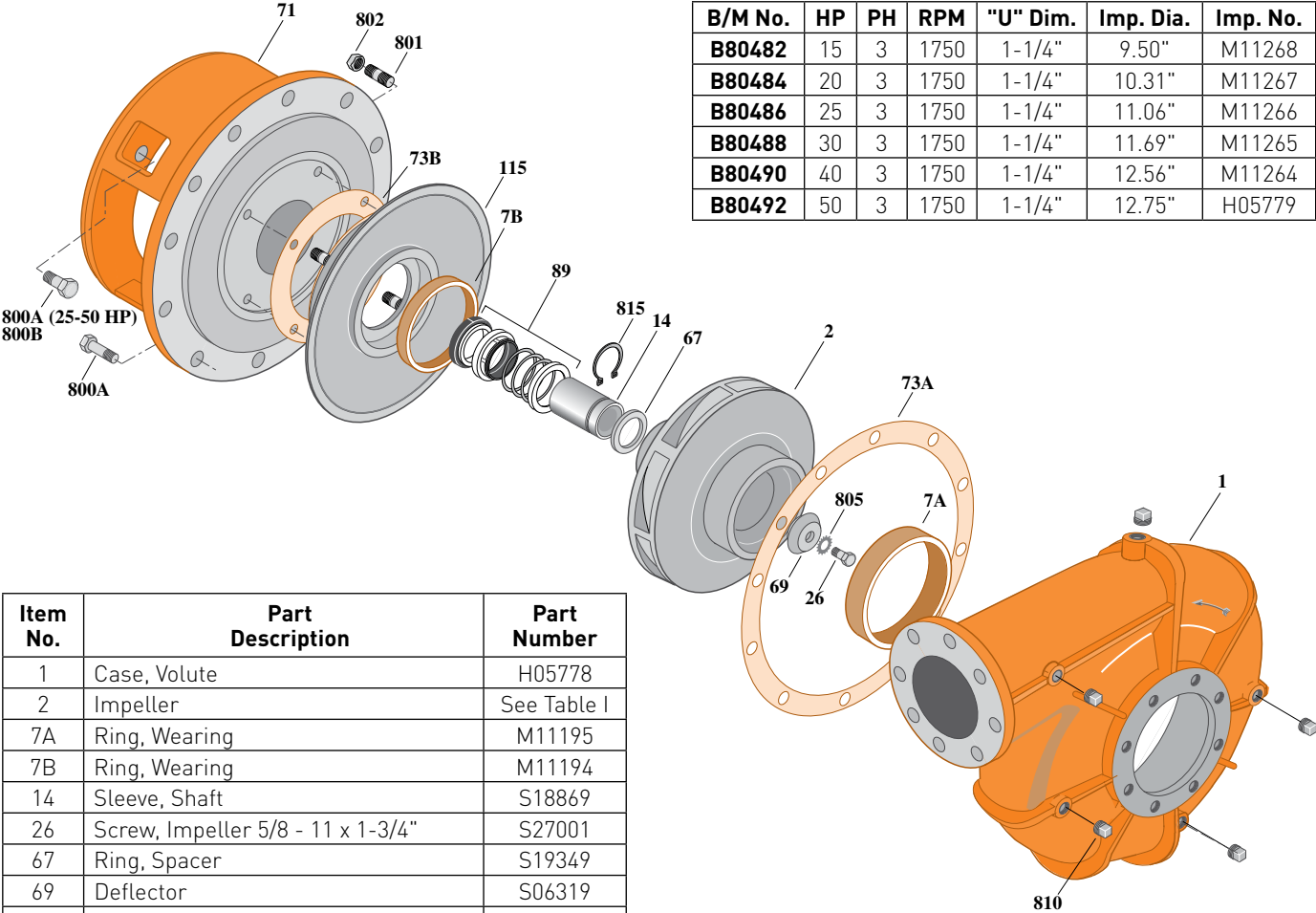


Table I

B/M No.	HP	PH	RPM	"U" Dim.	Imp. Dia.	Imp. No.
B80482	15	3	1750	1-1/4"	9.50"	M11268
B80484	20	3	1750	1-1/4"	10.31"	M11267
B80486	25	3	1750	1-1/4"	11.06"	M11266
B80488	30	3	1750	1-1/4"	11.69"	M11265
B80490	40	3	1750	1-1/4"	12.56"	M11264
B80492	50	3	1750	1-1/4"	12.75"	H05779

Item No.	Part Description	Part Number
1	Case, Volute	H05778
2	Impeller	See Table I
7A	Ring, Wearing	M11195
7B	Ring, Wearing	M11194
14	Sleeve, Shaft	S18869
26	Screw, Impeller 5/8 - 11 x 1-3/4"	S27001
67	Ring, Spacer	S19349
69	Deflector	S06319
71	Bracket	See Table II
73A	Gasket, Volute Case	S06271
73B	Gasket, Balance Ring	S09943
89	Seal, Mechanical Shaft	S32015
115	Ring, Balance	H05781
800A	Capscrew, 5/8 - 11 x 1-1/2" (16 Req.) (12-1/2 AK)	S26999
800A	Capscrew, 5/8 - 11 x 1-1/2" (12 Req.) (8-1/2 AK)	S26999
800B	Capscrew, 1/2 - 13 x 1-1/2" (4 Req.) (8-1/2 AK Only)	S26916
801	Stud, 3/8 - 16 x 1-3/8" (4 Req.)	S09942
802	Nut, 3/8 - 16 (4 Req.)	S23103
805	Washer, Lock	S23038
810	Plug, Pipe 1/2 NPT (6 Req.)	S23717
815	Ring, Retaining	S16767

Table II

HP	PH	Bracket No.	"AK" Fit	"U" Dim.	Motor Frame
15	3	H03300	8-1/2"	1-1/4"	254JM
20	3	H03300	8-1/2"	1-1/4"	256JM
25	3	H03301	12-1/2"	1-1/4"	284JM
30	3	H03301	12-1/2"	1-1/4"	286JM
40	3	H03301	12-1/2"	1-1/4"	324JM
50	3	H03301	12-1/2"	1-1/4"	326JM

NOTE: For an explanation of the tabulated material found on this page and for impeller key location, refer to **Supplement A** located at the beginning of this section.



BERKELEY® B4EXPBL

Cast Iron Impeller

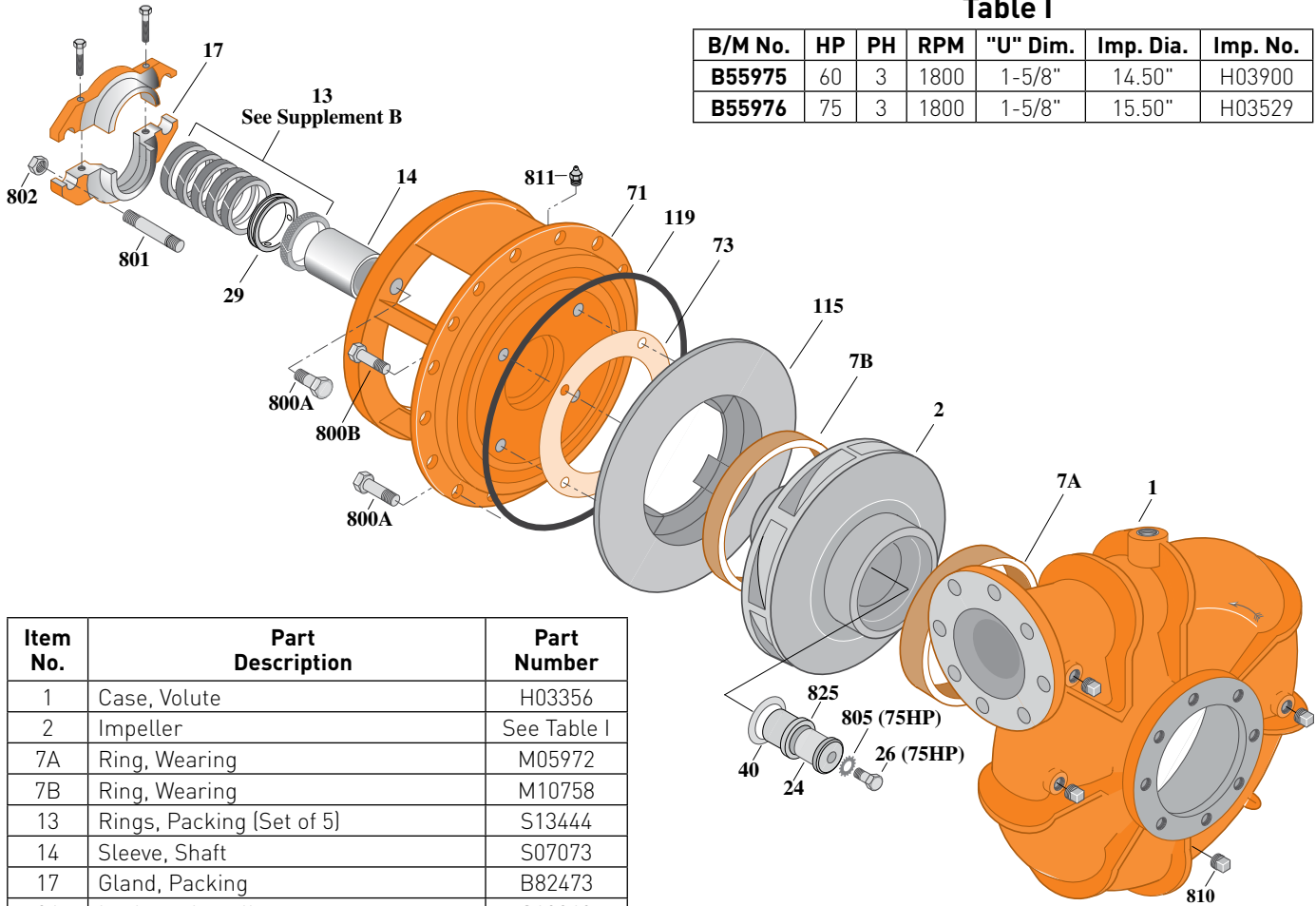
Flanged Case, Packing Construction

ELECTRIC MOTOR DRIVE

Section	CC
Page	280.1
Date	March 4, 2013
Supersedes 01/01/04	

Table I

B/M No.	HP	PH	RPM	"U" Dim.	Imp. Dia.	Imp. No.
B55975	60	3	1800	1-5/8"	14.50"	H03900
B55976	75	3	1800	1-5/8"	15.50"	H03529



Item No.	Part Description	Part Number
1	Case, Volute	H03356
2	Impeller	See Table I
7A	Ring, Wearing	M05972
7B	Ring, Wearing	M10758
13	Rings, Packing [Set of 5]	S13444
14	Sleeve, Shaft	S07073
17	Gland, Packing	B82473
24	Locknut, Impeller	S19868
26	Screw, Impeller 1/2 - 13 x 3-1/2"	S23633
29	Ring, Lantern	S19198
32	Key, 3/8 x 2-1/4" [See Note]	S23940
40	Deflector	S19864
71	Bracket	See Table II
73	Gasket, Balance Ring	S09943
115	Ring, Balance	M06728
119	O-Ring	S14444
800A	Capscrew, 5/8 - 11 x 1-3/4" [20 Req.]	S27001
800B	Capscrew, 3/8 - 16 x 1" [4 Req.]	S26826
801	Stud, 1/2 - 13 x 3-3/4" [2 Req.]	S08305
802	Nut, Hex 1/2 - 13 x 7/16" [2 Req.]	S23347
805	Washer, Lock	S23038
810	Plug, Pipe 1/2 NPT [4 Req.]	S23717
811	Fitting, Grease	S23700
825	Sleeve, Impeller Locknut	S19865

Table II

HP	PH	Bracket No.	"AK" Fit	"U" Dim.	Motor Frame
60	3	H03684	12-1/2"	1-5/8"	364JP
75	3	H03684	12-1/2"	1-5/8"	365JP

NOTE: For an explanation of the tabulated material found on this page and for impeller key location, refer to **Supplement A** located at the beginning of this section.



BERKELEY® B4EYPBM

Cast Iron Impeller

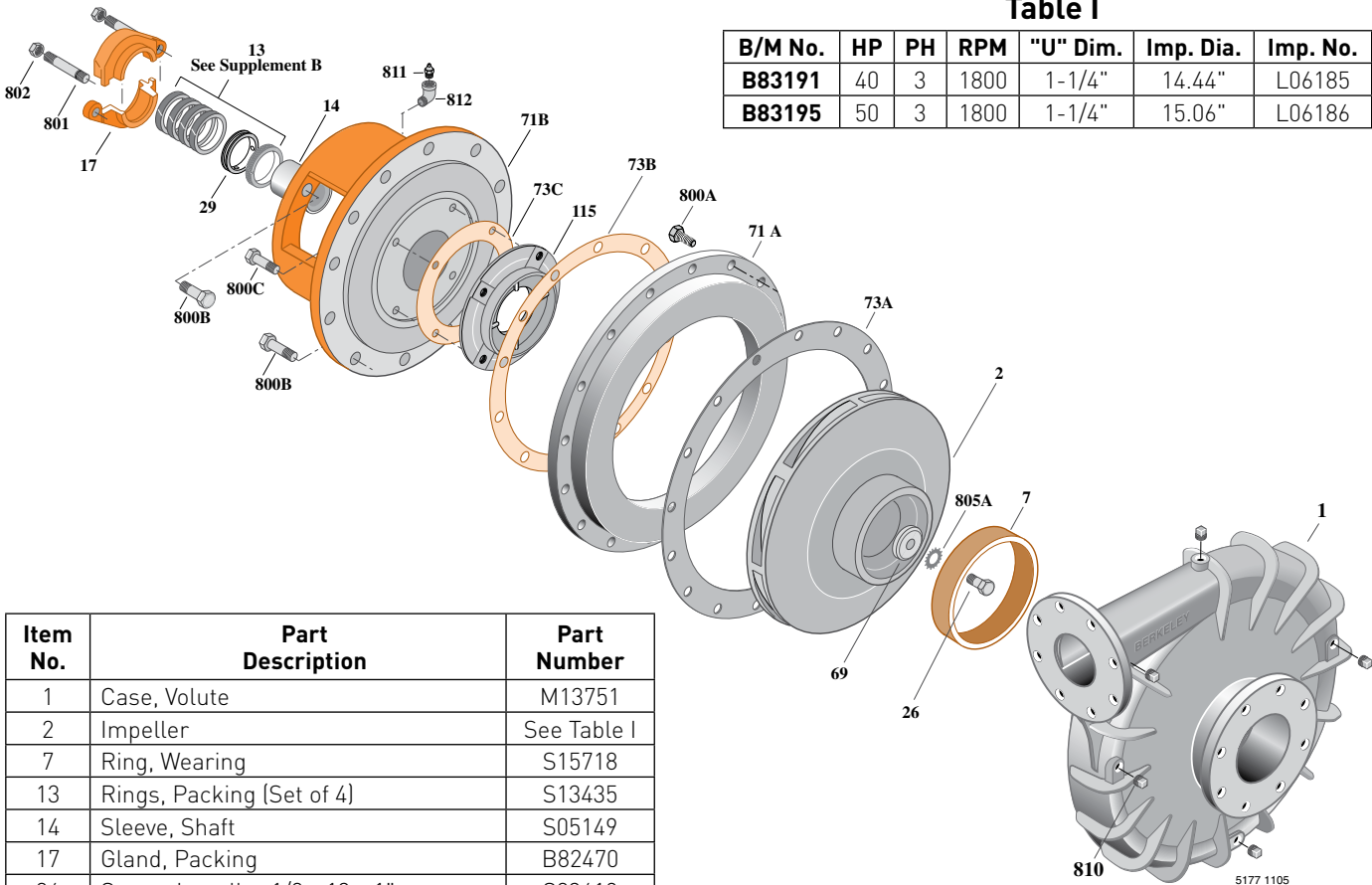
Flanged Case, Packing Construction

ELECTRIC MOTOR DRIVE

Section	CC
Page	290.1.1
Date	March 4, 2013
Supersedes 12/01/05	

Table I

B/M No.	HP	PH	RPM	"U" Dim.	Imp. Dia.	Imp. No.
B83191	40	3	1800	1-1/4"	14.44"	L06185
B83195	50	3	1800	1-1/4"	15.06"	L06186



Item No.	Part Description	Part Number
1	Case, Volute	M13751
2	Impeller	See Table I
7	Ring, Wearing	S15718
13	Rings, Packing [Set of 4]	S13435
14	Sleeve, Shaft	S05149
17	Gland, Packing	B82470
26	Screw, Impeller 1/2 - 13 x 1"	S23619
29	Ring, Lantern	S19200
32	Key, 1/4 x 2-1/4" [See Note]	S23677
69	Washer, Impeller	S06319
71A	Ring, Adapter	M13753
71B	Bracket	See Table II
73A	Gasket, Suction Cover	S06401
73B	Gasket, Volute	S06271
73C	Gasket, Balance Ring	S09943
115	Ring, Balance	S13655
800A	Capscrew, 5/8 - 11 x 1-3/4" [16 Req.]	S27001
800B	Capscrew, 5/8 - 11 x 1-1/2" [16 Req.]	S26999
800C	Capscrew, 3/8 - 16 x 1-1/2" [4 Req.]	S26830
801	Stud, 3/8 - 16 x 2-1/2" [2 Req.]	S04438
802	Nut, Hex 3/8 - 16 [2 Req.]	S23343
805	Washer, Lock	S23038
810	Plug, Pipe 1/2 NPT [4 Req.]	S23717
811	Fitting, Grease	S23700
812	Elbow, Street	S25421

Table II

HP	PH	Bracket No.	"AK" Fit	"U" Dim.	Motor Frame
40	3	H01601	12-1/2"	1-1/4"	324JP
50	3	H01601	12-1/2"	1-1/4"	326JP

NOTE: For an explanation of the tabulated material found on this page and for impeller key location, refer to **Supplement A** located at the beginning of this section.



BERKELEY® B4EYPBM

Cast Iron Impeller

Flanged Case, Packing Construction

ELECTRIC MOTOR DRIVE

Section	CC
Page	290.1
Date	March 4, 2013
Supersedes 06/01/95	

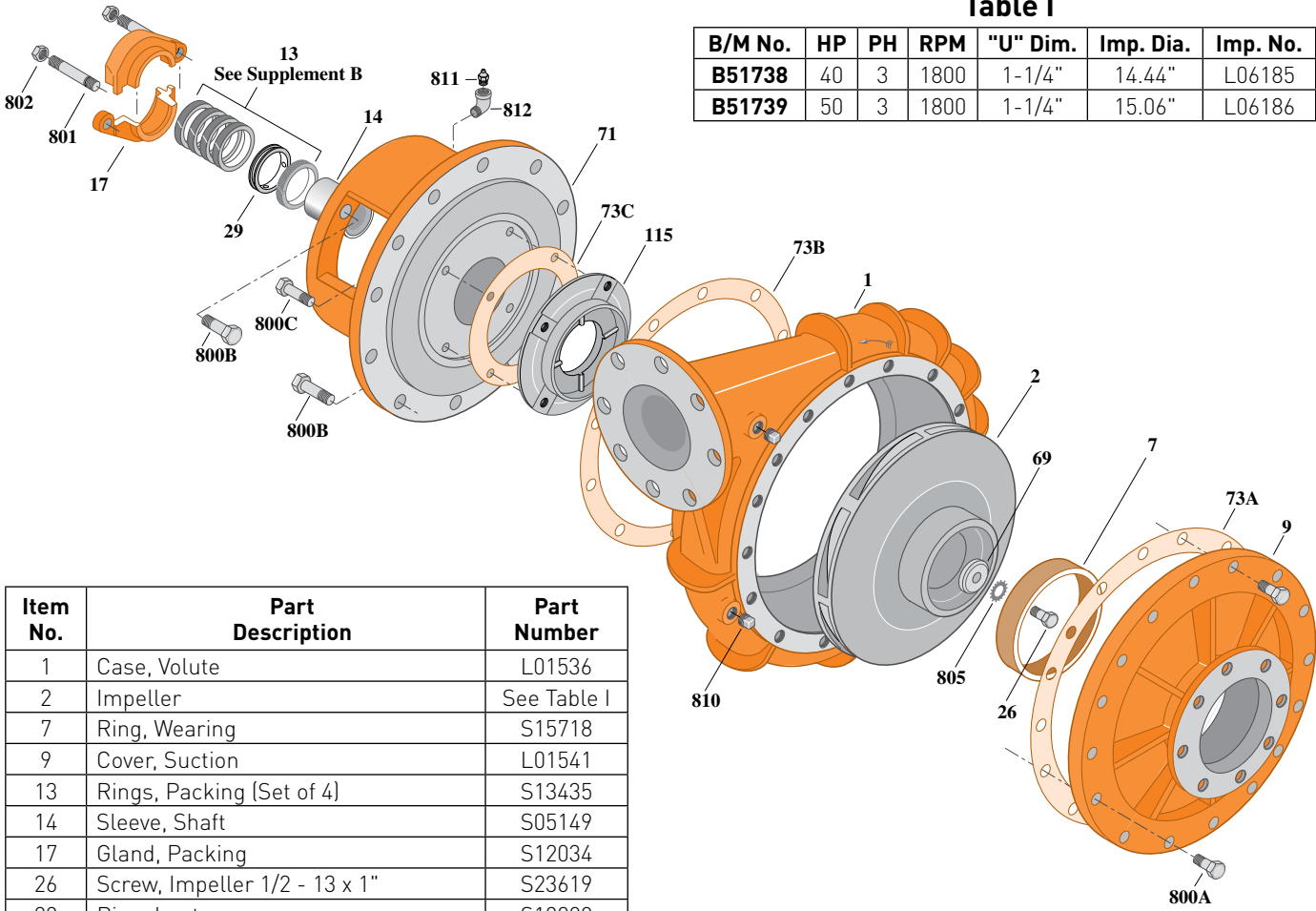


Table I

B/M No.	HP	PH	RPM	"U" Dim.	Imp. Dia.	Imp. No.
B51738	40	3	1800	1-1/4"	14.44"	L06185
B51739	50	3	1800	1-1/4"	15.06"	L06186

Item No.	Part Description	Part Number
1	Case, Volute	L01536
2	Impeller	See Table I
7	Ring, Wearing	S15718
9	Cover, Suction	L01541
13	Rings, Packing [Set of 4]	S13435
14	Sleeve, Shaft	S05149
17	Gland, Packing	S12034
26	Screw, Impeller 1/2 - 13 x 1"	S23619
29	Ring, Lantern	S19200
32	Key, 1/4 x 2-1/4" [See Note]	S23677
69	Washer, Impeller	S06319
71	Bracket	See Table II
73A	Gasket, Suction Cover	S06401
73B	Gasket, Volute	S06271
73C	Gasket, Balance Ring	S09943
115	Ring, Balance	S13655
800A	Capscrew, 5/8 - 11 x 1-3/4" [16 Req.]	S27001
800B	Capscrew, 5/8 - 11 x 1-1/2" [16 Req.]	S26999
800C	Capscrew, 3/8 - 16 x 1-1/2" [4 Req.]	S26830
801	Stud, 3/8 - 16 x 2-1/2" [2 Req.]	S04438
802	Nut, Hex 3/8 - 16 [2 Req.]	S23343
805	Washer, Lock	S23038
810	Plug, Pipe 1/2 NPT [4 Req.]	S23717
811	Fitting, Grease	S23700
812	Elbow, Street	S25421

Table II

HP	PH	Bracket No.	"AK" Fit	"U" Dim.	Motor Frame
40	3	H01601	12-1/2"	1-1/4"	324JP
50	3	H01601	12-1/2"	1-1/4"	326JP

NOTE: For an explanation of the tabulated material found on this page and for impeller key location, refer to **Supplement A** located at the beginning of this section.



BERKELEY® B4EYPBM

Cast Iron Impeller

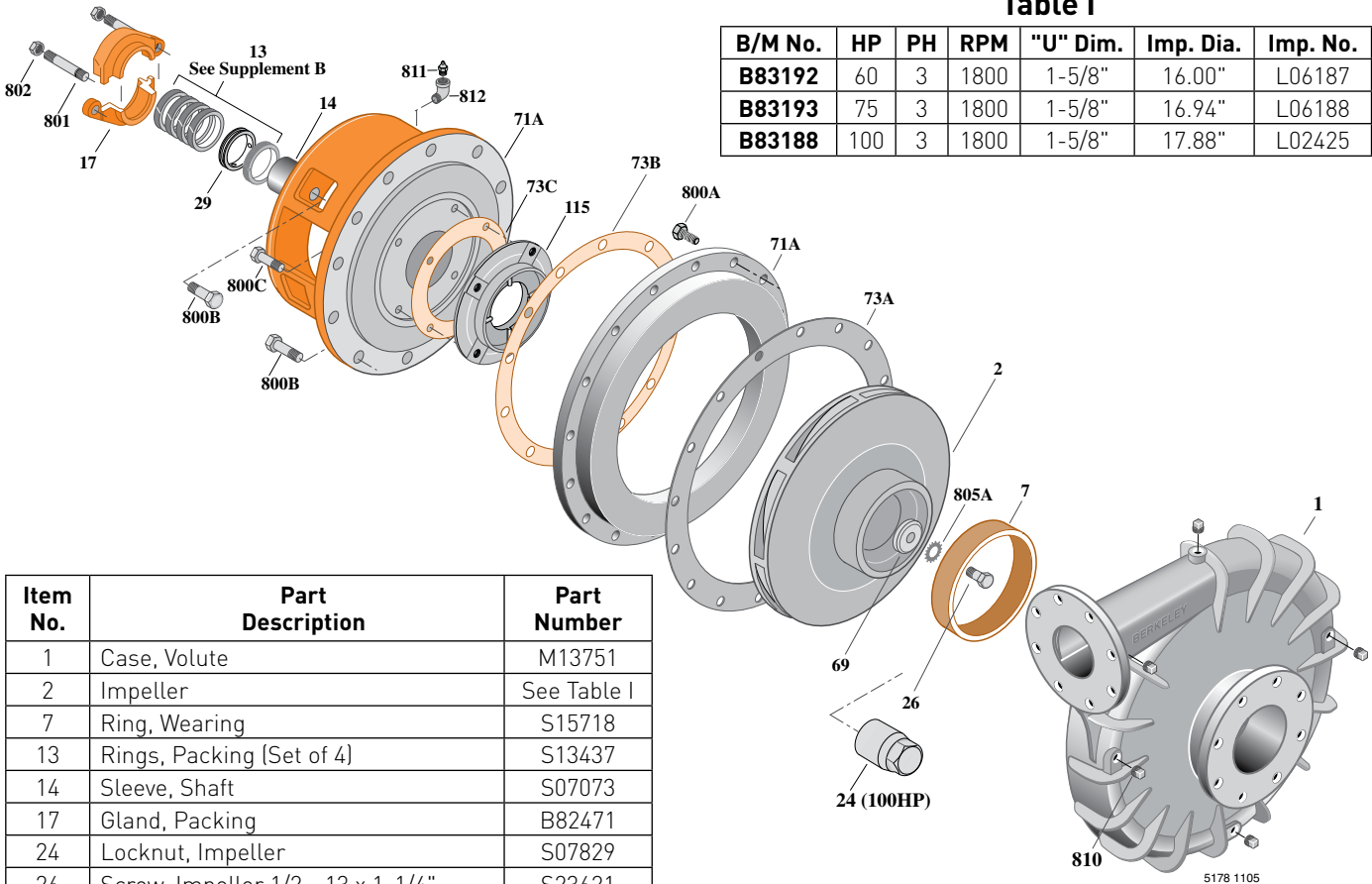
Flanged Case, Packing Construction

ELECTRIC MOTOR DRIVE

Section	CC
Page	290.2.1
Date	March 4, 2013
Supersedes 12/01/05	

Table I

B/M No.	HP	PH	RPM	"U" Dim.	Imp. Dia.	Imp. No.
B83192	60	3	1800	1-5/8"	16.00"	L06187
B83193	75	3	1800	1-5/8"	16.94"	L06188
B83188	100	3	1800	1-5/8"	17.88"	L02425



Item No.	Part Description	Part Number
1	Case, Volute	M13751
2	Impeller	See Table I
7	Ring, Wearing	S15718
13	Rings, Packing (Set of 4)	S13437
14	Sleeve, Shaft	S07073
17	Gland, Packing	B82471
24	Locknut, Impeller	S07829
26	Screw, Impeller 1/2 - 13 x 1-1/4"	S23621
29	Ring, Lantern	S19198
32	Key, 3/8 x 2-1/4" (See Note)	S23940
69	Washer, Impeller	S34492
71A	Ring, Adapter	M13753
71B	Bracket	See Table II
73A	Gasket, Suction Cover	S06401
73B	Gasket, Volute	S06271
73C	Gasket, Balance Ring	S09943
115	Ring, Balance	S13655
800A	Capscrew, 5/8 - 11 x 1-3/4" [20 Req.]	S27001
800B	Capscrew, 5/8 - 11 x 1-1/2" [12 Req.]	S26999
800C	Capscrew, 3/8 - 16 x 1-1/2" [4 Req.]	S26830
801	Stud, 3/8 - 16 x 2-1/2" [2 Req.]	S04438
802	Nut, Hex 3/8 - 16 [2 Req.]	S23343
805	Washer, Lock	S23038
810	Plug, Pipe 1/2 NPT [4 Req.]	S23717
811	Fitting, Grease	S23700
812	Elbow, Street	S25421

Table II

HP	PH	Bracket No.	"AK" Fit	"U" Dim.	Motor Frame
60	3	H03622	12-1/2"	1-5/8"	364JP
75	3	H03622	12-1/2"	1-5/8"	365JP
100	3	H03622	12-1/2"	1-5/8"	404TC

NOTE: For an explanation of the tabulated material found on this page and for impeller key location, refer to **Supplement A** located at the beginning of this section.



BERKELEY® B4EYPBM

Cast Iron Impeller

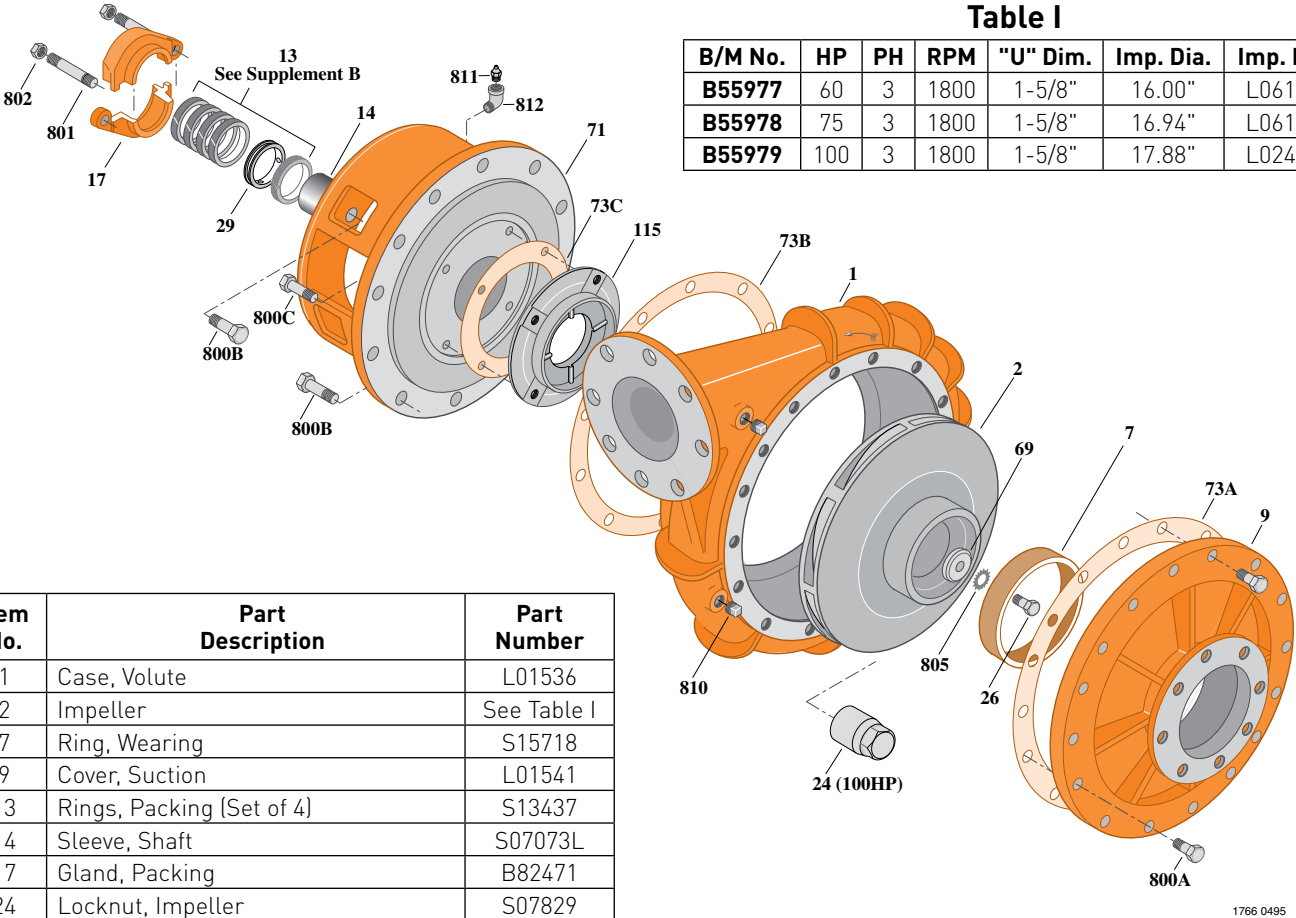
Flanged Case, Packing Construction

ELECTRIC MOTOR DRIVE

Section	CC
Page	290.2
Date	March 4, 2013
Supersedes 11/02/09	

Table I

B/M No.	HP	PH	RPM	"U" Dim.	Imp. Dia.	Imp. No.
B55977	60	3	1800	1-5/8"	16.00"	L06187
B55978	75	3	1800	1-5/8"	16.94"	L06188
B55979	100	3	1800	1-5/8"	17.88"	L02425



Item No.	Part Description	Part Number
1	Case, Volute	L01536
2	Impeller	See Table I
7	Ring, Wearing	S15718
9	Cover, Suction	L01541
13	Rings, Packing [Set of 4]	S13437
14	Sleeve, Shaft	S07073L
17	Gland, Packing	B82471
24	Locknut, Impeller	S07829
26	Screw, Impeller 1/2 - 13 x 1-1/4"	S23621
29	Ring, Lantern	S19198
32	Key, 3/8 x 2-1/4" [See Note]	S23940
69	Washer, Impeller	S34492
71	Bracket	See Table II
73A	Gasket, Suction Cover	S06401
73B	Gasket, Volute	S06271
73C	Gasket, Balance Ring	S09943
115	Ring, Balance	S13655
800A	Capscrew, 5/8 - 11 x 1-3/4" [20 Req.]	S27001
800B	Capscrew, 5/8 - 11 x 1-1/2" [12 Req.]	S26999
800C	Capscrew, 3/8 - 16 x 1-1/2" [4 Req.]	S26830
801	Stud, 3/8 - 16 x 2-1/2" [2 Req.]	S04438
802	Nut, Hex 3/8 - 16 [2 Req.]	S23343
805	Washer, Lock	S23038
810	Plug, Pipe 1/2 NPT [4 Req.]	S23717
811	Fitting, Grease	S23700
812	Elbow, Street	S25421

Table II

HP	PH	Bracket No.	"AK" Fit	"U" Dim.	Motor Frame
60	3	H03622	12-1/2"	1-5/8"	364JP
75	3	H03622	12-1/2"	1-5/8"	365JP
100	3	H03622	12-1/2"	1-5/8"	404TC

NOTE: For an explanation of the tabulated material found on this page and for impeller key location, refer to **Supplement A** located at the beginning of this section.



BERKELEY® B4EYPBMS

Cast Iron Impeller

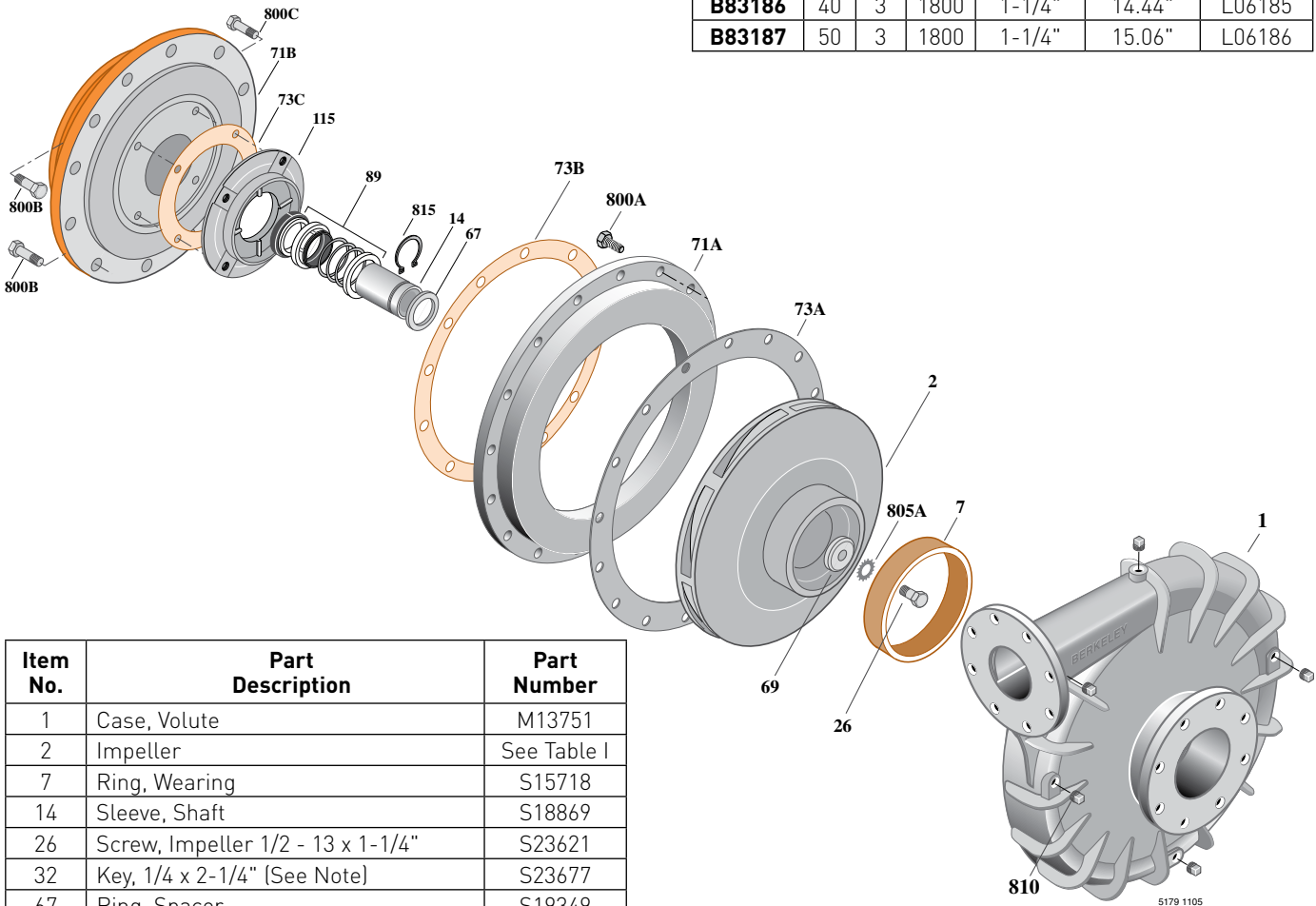
Flanged Case, Mechanical Shaft Seal Construction

ELECTRIC MOTOR DRIVE

Section	CC
Page	290.3.1
Date	March 4, 2013
Supersedes 12/01/05	

Table I

B/M No.	HP	PH	RPM	"U" Dim.	Imp. Dia.	Imp. No.
B83186	40	3	1800	1-1/4"	14.44"	L06185
B83187	50	3	1800	1-1/4"	15.06"	L06186



Item No.	Part Description	Part Number
1	Case, Volute	M13751
2	Impeller	See Table I
7	Ring, Wearing	S15718
14	Sleeve, Shaft	S18869
26	Screw, Impeller 1/2 - 13 x 1-1/4"	S23621
32	Key, 1/4 x 2-1/4" (See Note)	S23677
67	Ring, Spacer	S19349
69	Washer, Impeller	S06319
71A	Ring, Adapter	M13753
71B	Bracket	See Table II
73A	Gasket, Suction Cover	S06401
73B	Gasket, Volute Case	S06271
73C	Gasket, Balance Ring	S09943
89	Seal, Mechanical Shaft	S32015
115	Ring, Balance	S19036
800A	Capscrew, 5/8 - 11 x 1-3/4" [16 Req.]	S27001
800B	Capscrew, 5/8 - 11 x 1-1/2" [16 Req.]	S26999
800C	Capscrew, 3/8 - 16 x 1" [4 Req.]	S26826
805	Washer, Lock	S23038
810	Plug, Pipe 1/2 NPT [4 Req.]	S23717
815	Ring, Retaining	S16767

Table II

HP	PH	Bracket No.	"AK" Fit	"U" Dim.	Motor Frame
40	3	H03301	12-1/2"	1-1/4"	324JM
50	3	H03301	12-1/2"	1-1/4"	326JM

NOTE: For an explanation of the tabulated material found on this page and for impeller key location, refer to **Supplement A** located at the beginning of this section.



BERKELEY® B4EYPBMS

Cast Iron Impeller

Flanged Case, Mechanical Shaft Seal Construction

ELECTRIC MOTOR DRIVE

Section	CC
Page	290.3
Date	March 4, 2013
Supersedes 06/01/95	

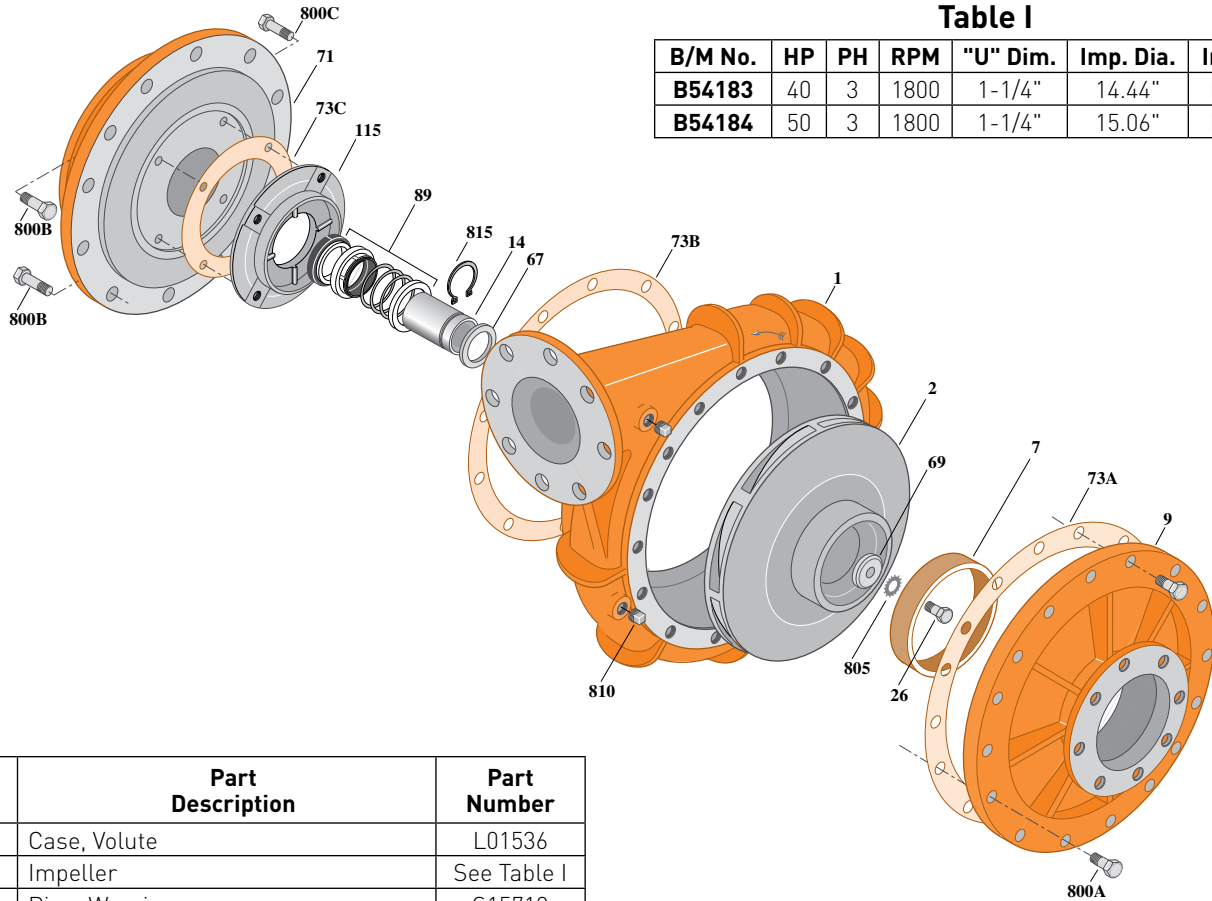


Table I

B/M No.	HP	PH	RPM	"U" Dim.	Imp. Dia.	Imp. No.
B54183	40	3	1800	1-1/4"	14.44"	L06185
B54184	50	3	1800	1-1/4"	15.06"	L06186

Item No.	Part Description	Part Number
1	Case, Volute	L01536
2	Impeller	See Table I
7	Ring, Wearing	S15718
9	Cover, Suction	L01541
14	Sleeve, Shaft	S18869
26	Screw, Impeller 1/2 - 13 x 1-1/4"	S23621
32	Key, 1/4 x 2-1/4" (See Note)	S23677
67	Ring, Spacer	S19349
69	Washer, Impeller	S06319
71	Bracket	See Table II
73A	Gasket, Suction Cover	S06401
73B	Gasket, Volute Case	S06271
73C	Gasket, Balance Ring	S09943
89	Seal, Mechanical Shaft	S32015
115	Ring, Balance	S19036
800A	Capscrew, 5/8 - 11 x 1-3/4" [16 Req.]	S27001
800B	Capscrew, 5/8 - 11 x 1-1/2" [16 Req.]	S26999
800C	Capscrew, 3/8 - 16 x 1" [4 Req.]	S26826
805	Washer, Lock	S23038
810	Plug, Pipe 1/2 NPT [4 Req.]	S23717
815	Ring, Retaining	S16767

Table II

HP	PH	Bracket No.	"AK" Fit	"U" Dim.	Motor Frame
40	3	H03301	12-1/2"	1-1/4"	324JM
50	3	H03301	12-1/2"	1-1/4"	326JM

NOTE: For an explanation of the tabulated material found on this page and for impeller key location, refer to **Supplement A** located at the beginning of this section.



BERKELEY® B4EYPBMS

ELECTRIC MOTOR DRIVE

Cast Iron Impeller

Flanged Case, Mechanical Shaft Seal Construction

Section	CC
Page	290.4.1
Date	March 4, 2013
Supersedes 12/01/05	

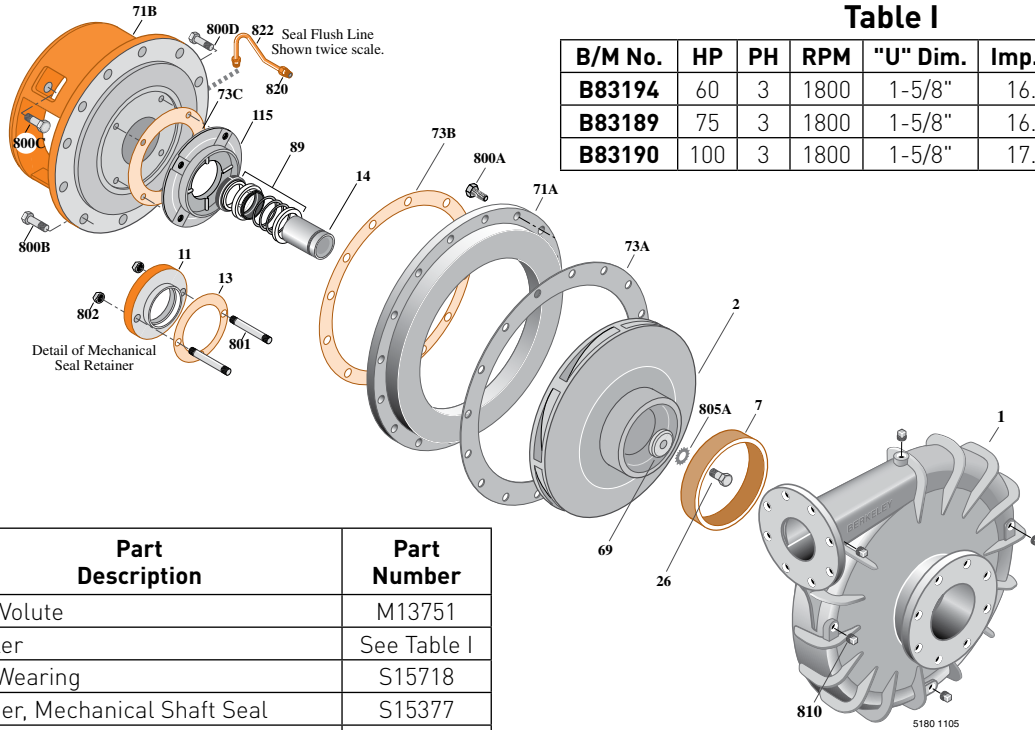


Table I

B/M No.	HP	PH	RPM	"U" Dim.	Imp. Dia.	Imp. No.
B83194	60	3	1800	1-5/8"	16.00"	L06187
B83189	75	3	1800	1-5/8"	16.94"	L06188
B83190	100	3	1800	1-5/8"	17.88"	L02425

Item No.	Part Description	Part Number
1	Case, Volute	M13751
2	Impeller	See Table I
7	Ring, Wearing	S15718
11	Retainer, Mechanical Shaft Seal	S15377
14	Sleeve, Shaft	S07073
26	Screw, Impeller 1/2 - 13 x 1-1/4"	S23621
32	Key, 1/4 x 2-1/4" [See Note]	S23677
69	Washer, Impeller (60-75 HP)	S34492
69	Washer, Impeller (100 HP)	S07829
71A	Ring, Adapter	M13753
71B	Bracket	See Table II
73A	Gasket, Suction Cover	S06401
73B	Gasket, Volute Case	S06271
73C	Gasket, Balance Ring	S09943
73D	Gasket, Seal Retainer	S15078
89	Seal, Mechanical Shaft	S32016
115	Ring, Balance	S13655
800A	Capscrew, 5/8 - 11 x 1-3/4" [20 Req.]	S27001
800B	Capscrew, 5/8 - 11 x 1-1/2" [12 Req.]	S26999
800C	Capscrew, 3/8 - 16 x 1-1/2" [4 Req.]	S26830
801	Stud, 3/8 - 16 x 2-1/2" [2 Req.]	S04438
802	Nut, 3/8 - 16 [2 Req.]	S23343
805	Washer, Lock (Not On 100 HP)	S23038
810	Plug, Pipe 1/2 NPT [4 Req.]	S23717
820	Connector, Comp. Fitting [2 Req.]	S24013
822	Tubing, Copper	S20677
	• Plug, Pipe 1/8 NPT (Not Illustrated)	S23714
	• Plug, Pipe 1/4 NPT (Not Illustrated)	S23715

Table II

HP	PH	Bracket No.	"AK" Fit	"U" Dim.	Motor Frame
60	3	H03936	12-1/2"	1-5/8"	364JP
75	3	H03936	12-1/2"	1-5/8"	365JP
100	3	H03936	12-1/2"	1-5/8"	404TC

NOTE: For an explanation of the tabulated material found on this page and for impeller key location, refer to **Supplement A** located at the beginning of this section.



BERKELEY® B4EYPBMS

Cast Iron Impeller

Flanged Case, Mechanical Shaft Seal Construction

ELECTRIC MOTOR DRIVE

Section	CC
Page	290.4
Date	March 4, 2013
Supersedes 06/01/95	

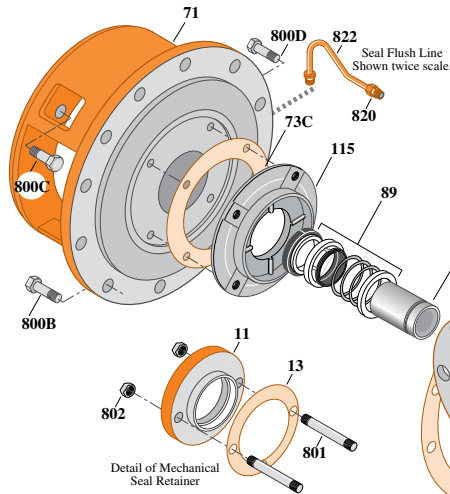
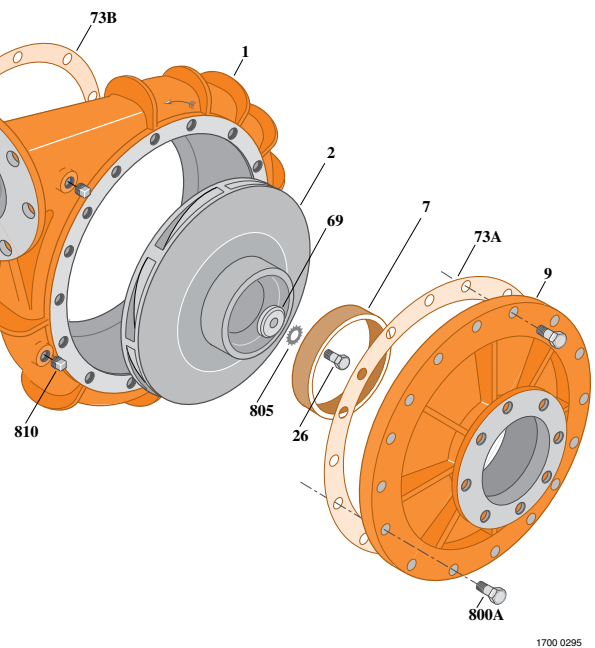


Table I

B/M No.	HP	PH	RPM	"U" Dim.	Imp. Dia.	Imp. No.
B62039	60	3	1800	1-5/8"	16.00"	L06187
B62041	75	3	1800	1-5/8"	16.94"	L06188
B62043	100	3	1800	1-5/8"	17.88"	L02425

Item No.	Part Description	Part Number
1	Case, Volute	L01536
2	Impeller	See Table I
7	Ring, Wearing	S15718
9	Cover, Suction	L01541
11	Retainer, Mechanical Shaft Seal	S15377
14	Sleeve, Shaft	S07073
26	Screw, Impeller 1/2 - 13 x 1-1/4"	S23621
32	Key, 1/4 x 2-1/4" (See Note)	S23677
69	Washer, Impeller (60-75 HP)	S34492
69	Washer, Impeller (100 HP)	S07829
71	Bracket	See Table II
73A	Gasket, Suction Cover	S06401
73B	Gasket, Volute Case	S06271
73C	Gasket, Balance Ring	S09943
73D	Gasket, Seal Retainer	S15078
89	Seal, Mechanical Shaft	S32016
115	Ring, Balance	S13655
800A	Capscrew, 5/8 - 11 x 1-3/4" (20 Req.)	S27001
800B	Capscrew, 5/8 - 11 x 1-1/2" (12 Req.)	S26999
800C	Capscrew, 3/8 - 16 x 1-1/2" (4 Req.)	S26830
801	Stud, 3/8 - 16 x 2-1/2" (2 Req.)	S04438
802	Nut, 3/8 - 16 (2 Req.)	S23343
805	Washer, Lock (Not On 100 HP)	S23038
810	Plug, Pipe 1/2 NPT (4 Req.)	S23717
820	Connector, Comp. Fitting (2 Req.)	S24013
822	Tubing, Copper	S20677
	• Plug, Pipe 1/8 NPT (Not Illustrated)	S23714
	• Plug, Pipe 1/4 NPT (Not Illustrated)	S23715



1700 0295

Table II

HP	PH	Bracket No.	"AK" Fit	"U" Dim.	Motor Frame
60	3	H03936	12-1/2"	1-5/8"	364JP
75	3	H03936	12-1/2"	1-5/8"	365JP
100	3	H03936	12-1/2"	1-5/8"	404TC

NOTE: For an explanation of the tabulated material found on this page and for impeller key location, refer to **Supplement A** located at the beginning of this section.



BERKELEY® B4EYPBH

Cast Iron Impeller

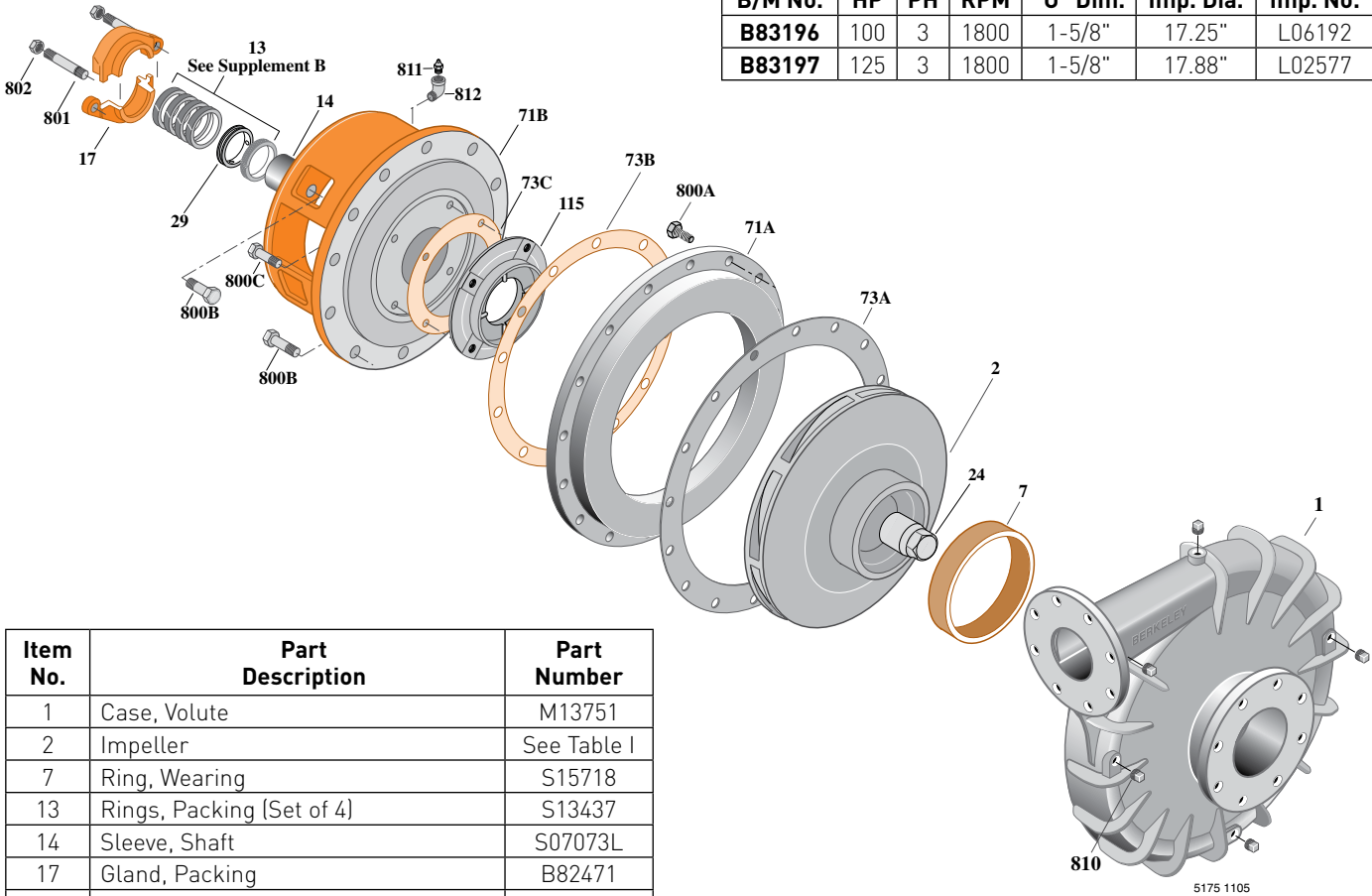
Flanged Case, Packing Construction

ELECTRIC MOTOR DRIVE

Section	CC
Page	300.1.1
Date	March 4, 2013
Supersedes 12/01/05	

Table I

B/M No.	HP	PH	RPM	"U" Dim.	Imp. Dia.	Imp. No.
B83196	100	3	1800	1-5/8"	17.25"	L06192
B83197	125	3	1800	1-5/8"	17.88"	L02577



Item No.	Part Description	Part Number
1	Case, Volute	M13751
2	Impeller	See Table I
7	Ring, Wearing	S15718
13	Rings, Packing [Set of 4]	S13437
14	Sleeve, Shaft	S07073L
17	Gland, Packing	B82471
24	Locknut, Impeller	S07829
29	Ring, Lantern	S19198
32	Key, 1/4 x 2-1/4" [See Note]	S23677
71A	Ring, Adapter	M13753
71B	Bracket	See Table II
73A	Gasket, Suction Cover	S06401
73B	Gasket, Volute	S06271
73C	Gasket, Balance Ring	S09943
115	Ring, Balance	S13655
800A	Capscrew, 5/8 - 11 x 1-3/4" [20 Req.]	S27001
800B	Capscrew, 5/8 - 11 x 1-1/2" [12 Req.]	S26999
800C	Capscrew, 3/8 - 16 x 1-1/2" [4 Req.]	S26830
801	Stud, 3/8 - 16 x 2-1/2" [2 Req.]	S04438
802	Nut, Hex 3/8 - 16 [2 Req.]	S23343
810	Plug, Pipe 1/2 NPT [4 Req.]	S23717
811	Fitting, Grease	S23700
812	Elbow, Street	S25421

Table II

HP	PH	Bracket No.	"AK" Fit	"U" Dim.	Motor Frame
100	3	H03622	12-1/2"	1-5/8"	404TC
125	3	H03622	12-1/2"	1-5/8"	405TC

NOTE: For an explanation of the tabulated material found on this page and for impeller key location, refer to **Supplement A** located at the beginning of this section.

BERKELEY® B4EYPBH

Cast Iron Impeller

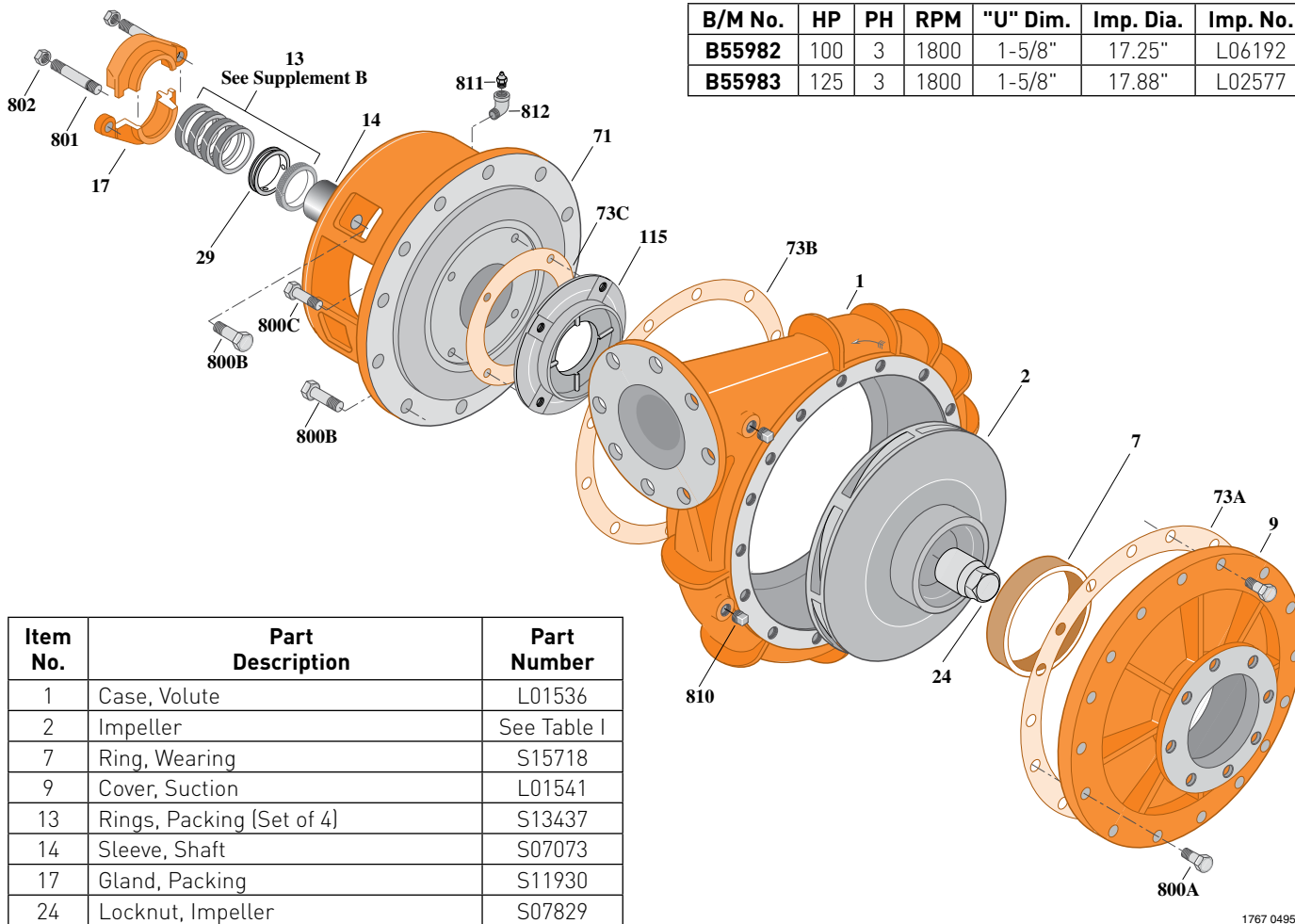
Flanged Case, Packing Construction

ELECTRIC MOTOR DRIVE

Section	CC
Page	300.1
Date	March 4, 2013
Supersedes 06/01/05	

Table I

B/M No.	HP	PH	RPM	"U" Dim.	Imp. Dia.	Imp. No.
B55982	100	3	1800	1-5/8"	17.25"	L06192
B55983	125	3	1800	1-5/8"	17.88"	L02577



Item No.	Part Description	Part Number
1	Case, Volute	L01536
2	Impeller	See Table I
7	Ring, Wearing	S15718
9	Cover, Suction	L01541
13	Rings, Packing (Set of 4)	S13437
14	Sleeve, Shaft	S07073
17	Gland, Packing	S11930
24	Locknut, Impeller	S07829
29	Ring, Lantern	S19198
32	Key, 1/4 x 2-1/4" (See Note)	S23677
71	Bracket	See Table II
73A	Gasket, Suction Cover	S06401
73B	Gasket, Volute	S06271
73C	Gasket, Balance Ring	S09943
115	Ring, Balance	S13655
800A	Capscrew, 5/8 - 11 x 1-3/4" [20 Req.]	S27001
800B	Capscrew, 5/8 - 11 x 1-1/2" [12 Req.]	S26999
800C	Capscrew, 3/8 - 16 x 1-1/2" [4 Req.]	S26830
801	Stud, 3/8 - 16 x 2-1/2" [2 Req.]	S04438
802	Nut, Hex 3/8 - 16 [2 Req.]	S23343
810	Plug, Pipe 1/2 NPT [4 Req.]	S23717
811	Fitting, Grease	S23700
812	Elbow, Street	S25421

Table II

HP	PH	Bracket No.	"AK" Fit	"U" Dim.	Motor Frame
100	3	H03622	12-1/2"	1-5/8"	404TC
125	3	H03622	12-1/2"	1-5/8"	405TC

NOTE: For an explanation of the tabulated material found on this page and for impeller key location, refer to **Supplement A** located at the beginning of this section.

BERKELEY® B5ZPBH

Cast Iron Impeller

Flanged Case, Packing Construction

ELECTRIC MOTOR DRIVE

Section	CC
Page	307.1
Date	March 4, 2013
Supersedes 03/01/12	

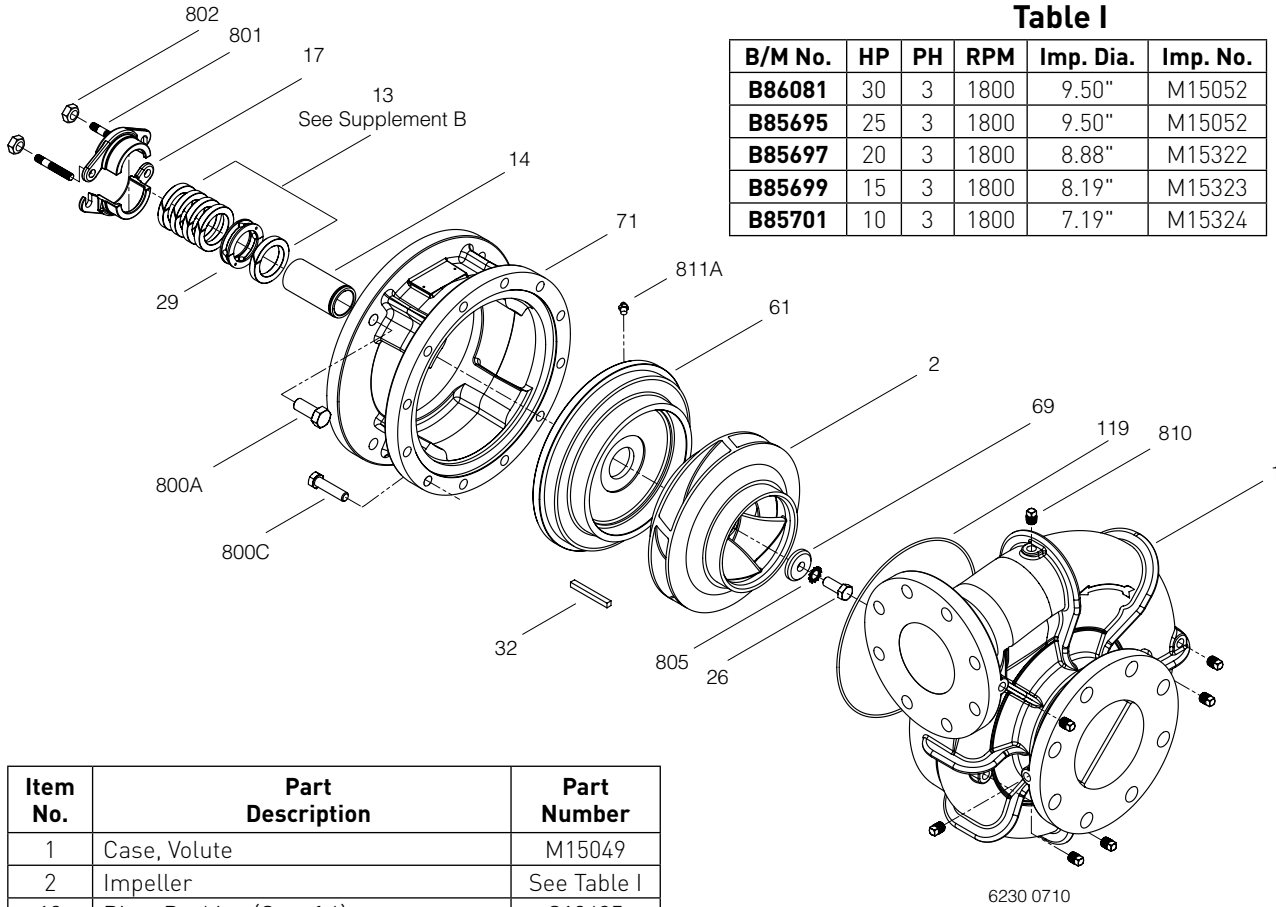


Table I

B/M No.	HP	PH	RPM	Imp. Dia.	Imp. No.
B86081	30	3	1800	9.50"	M15052
B85695	25	3	1800	9.50"	M15052
B85697	20	3	1800	8.88"	M15322
B85699	15	3	1800	8.19"	M15323
B85701	10	3	1800	7.19"	M15324

Item No.	Part Description	Part Number
1	Case, Volute	M15049
2	Impeller	See Table I
13	Ring, Packing (Set of 4)	S13435
14	Sleeve, Shaft (Note 2)	B85741
17	Gland, Packing	B82740
26	Screw, Impeller	S23621
29	Ring, Lantern	S19200
32	Key, 1/4" X 2-1/4"	S23677
61	Plate, Seal	M15047
69	Washer, Impeller	S06319
71	Bracket	See Table II
119	O-Ring	M15099
800A	Screw, 1/2-13NC X 1-1/2" LG CRS (4 rqd)	S26916
800C	Screw, 1/2-13NC X 2" LG CRS (12 rqd)	S26920
801	Stud, 3/8-16NC X 2-1/2" LG 416SS (2 rqd)	S04438
802	Nut, Hex, Lock 3/8-16 SS (2 rqd)	M13771
805	Washer, Lock	S23038
810	Plug, Pipe	S23715
811A	Fitting, Grease	S23700

6230 0710

Table II

HP	PH	Bracket No.	"AK" Fit	"U" Dim.	Motor Frame
30	3	M15045	12.50"	1-1/4"	286JP
25	3	M15045	12.50"	1-1/4"	284JP
20	3	M15044	8.50"	1-1/4"	256JP
15	3	M15044	8.50"	1-1/4"	254JP
10	3	M15044	8.50"	1-1/4"	215JP

NOTE 1: Impeller kit **B85754** includes items 26, 32, 69, 119, 805.

NOTE 2: Shaft sleeve kit **B85741** includes item 14, adhesive and instruction sheet.



BERKELEY® B5ZPBHS

Cast Iron Impeller

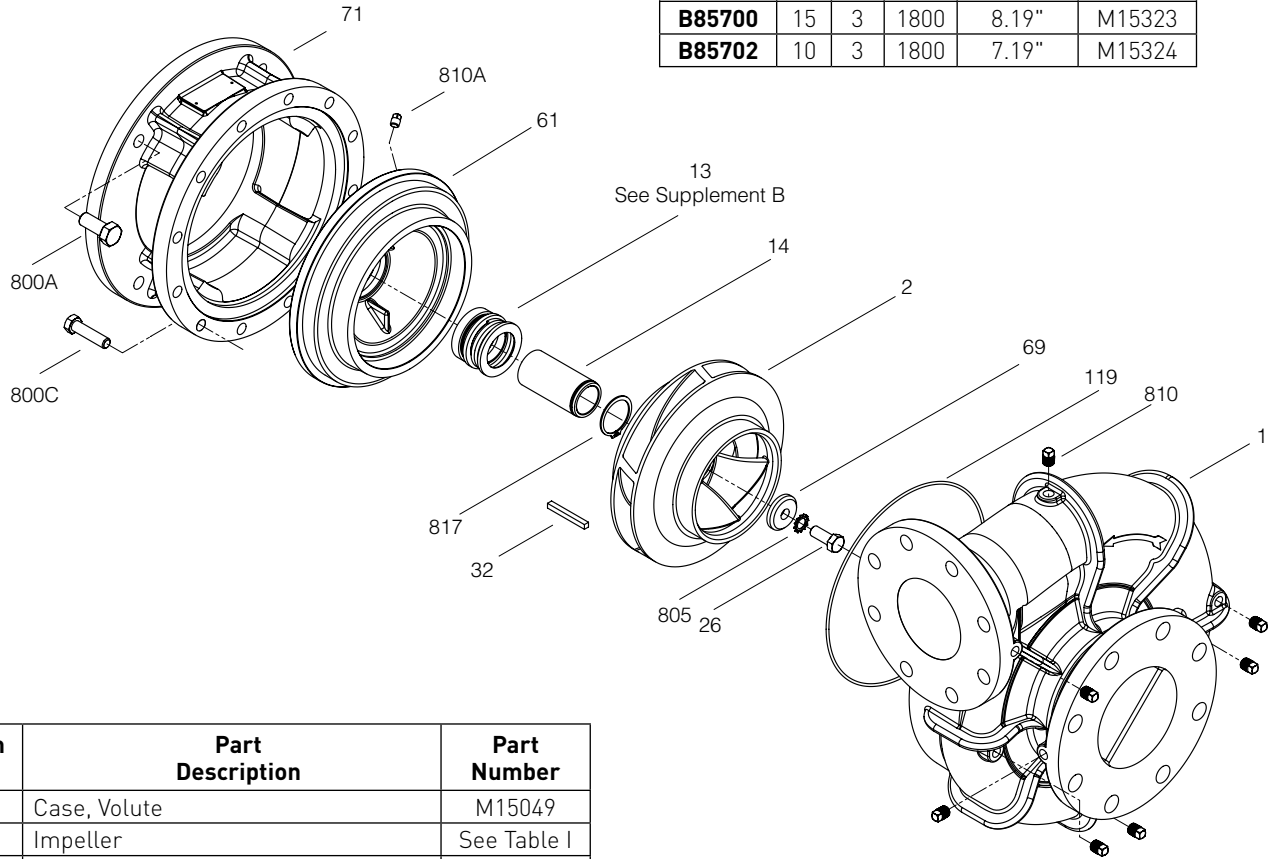
Flanged Case, Mechanical Shaft Seal Construction

ELECTRIC MOTOR DRIVE

Section	CC
Page	307.2
Date	March 4, 2013
Supersedes 03/01/12	

Table I

B/M No.	HP	PH	RPM	Imp. Dia.	Imp. No.
B86082	30	3	1800	9.50"	M15052
B85696	25	3	1800	9.50"	M15052
B85698	20	3	1800	8.88"	M15322
B85700	15	3	1800	8.19"	M15323
B85702	10	3	1800	7.19"	M15324



Item No.	Part Description	Part Number
1	Case, Volute	M15049
2	Impeller	See Table I
13	Seal, Shaft	S32015
14	Sleeve, Shaft (Note 2)	B85741
26	Screw, Impeller	S23621
32	Key, Impeller	S23677
61	Plate, Seal	M15046
69	Washer, Impeller	S06319
71	Bracket	See Table II
119	O-Ring	M15099
800A	Screw, 1/2-13NC X 1-1/2 LG CRS [4 rqd]	S26916
800C	Screw, 1/2-13NC X 2 LG CRS [12 rqd]	S26920
805	Washer, Lock	S23038
810	Plug, Pipe	S23715
810A	Plug, Pipe	U78-56ZPS
817	Ring, Retaining	S16767

Table II

HP	PH	Bracket No.	"AK" Fit	"U" Dim.	Motor Frame
30	3	M15045	12.50"	1-1/4"	286JP
25	3	M15045	12.50"	1-1/4"	284JP
20	3	M15044	8.50"	1-1/4"	256JP
15	3	M15044	8.50"	1-1/4"	254JP
10	3	M15044	8.50"	1-1/4"	215JP

NOTE 1: Impeller kit **B85754** includes items 26, 32, 69, 119, 805.

NOTE 2: Shaft sleeve kit **B85741** includes item 14, adhesive and instruction sheet.



BERKELEY® B5EPH

Cast Iron Impeller

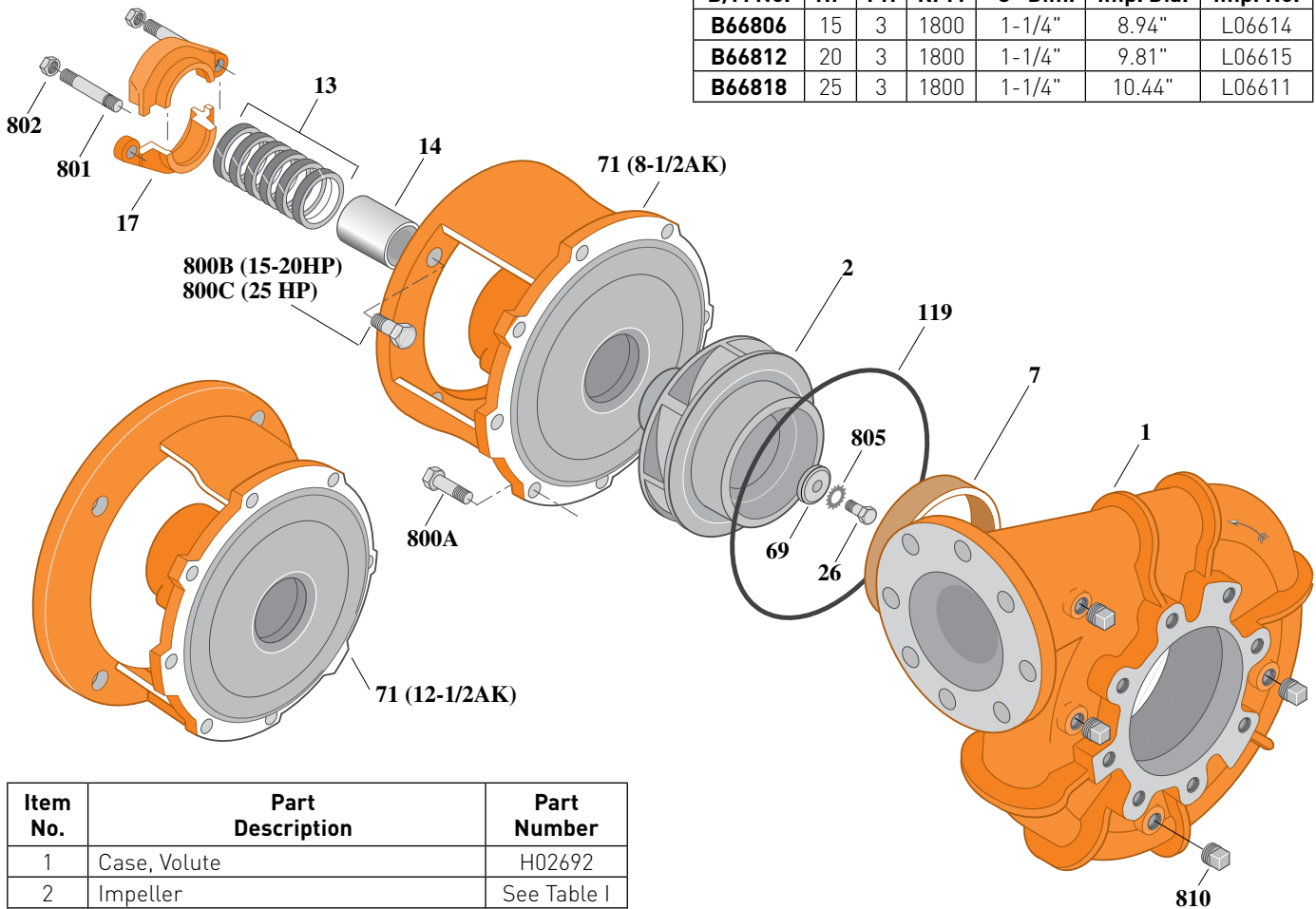
Flanged Case, Packing Construction

ELECTRIC MOTOR DRIVE

Section	CC
Page	310.1
Date	March 4, 2013
Supersedes 01/01/04	

Table I

B/M No.	HP	PH	RPM	"U" Dim.	Imp. Dia.	Imp. No.
B66806	15	3	1800	1-1/4"	8.94"	L06614
B66812	20	3	1800	1-1/4"	9.81"	L06615
B66818	25	3	1800	1-1/4"	10.44"	L06611



1764 0495

Item No.	Part Description	Part Number
1	Case, Volute	H02692
2	Impeller	See Table I
7	Ring, Wearing	S15630
13	Rings, Packing (Set of 6)	S13470
14	Sleeve, Shaft	S05149
17	Gland, Packing	B82470
26	Screw, Impeller 1/2 - 13 x 1"	S23619
32	Key, 1/4 x 2-1/4" (See Note)	S23677
69	Washer, Impeller	S06319
71	Bracket	See Table II
119	O-Ring	S13760
800A	Cap screw, 1/2 - 13 x 1-1/4" [8 Req.]	S26914
800B	Cap screw, 1/2 - 13 x 1-1/2" [4 Req.]	S26916
801	Stud, 3/8 - 16 x 2-1/2" [2 Req.]	S04438
802	Nut, Hex 3/8 - 16 [2 Req.]	S23343
805	Washer, Lock	S23038
810	Plug, Pipe 1/2 NPT [4 Req.]	S23717

Table II

HP	PH	Bracket No.	"AK" Fit	"U" Dim.	Motor Frame
15	3	L03637	8-1/2"	1-1/4"	254JP
20	3	L03637	8-1/2"	1-1/4"	256JP
25	3	L03712	8-1/2"	1-1/4"	284JP

NOTE: For an explanation of the tabulated material found on this page and for impeller key location, refer to **Supplement A** located at the beginning of this section.



BERKELEY® B5EPHS

Cast Iron Impeller

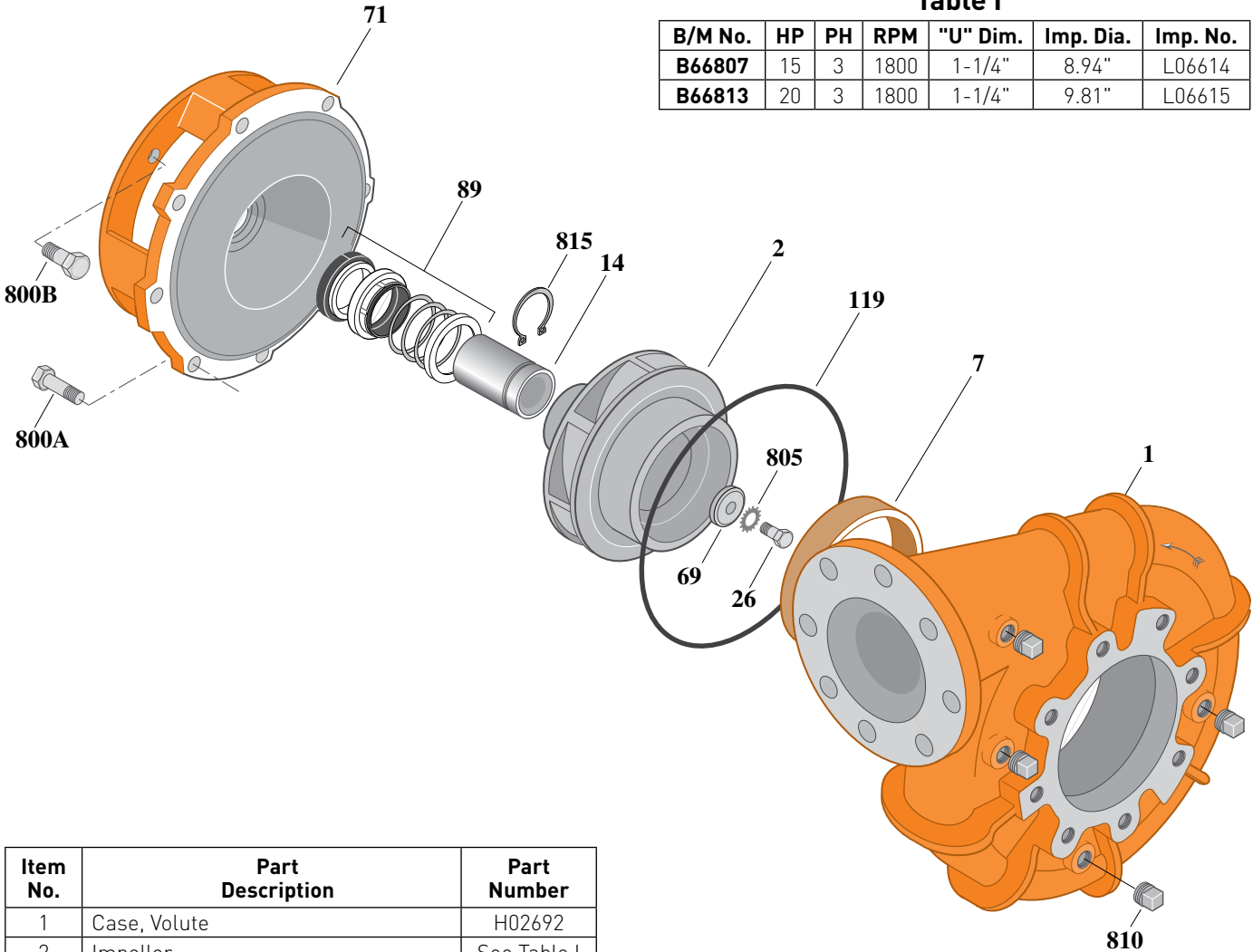
Flanged Case, Mechanical Shaft Seal Construction

ELECTRIC MOTOR DRIVE

Section	CC
Page	310.2
Date	March 4, 2013
Supersedes 01/01/04	

Table I

B/M No.	HP	PH	RPM	"U" Dim.	Imp. Dia.	Imp. No.
B66807	15	3	1800	1-1/4"	8.94"	L06614
B66813	20	3	1800	1-1/4"	9.81"	L06615



1681 0295

Item No.	Part Description	Part Number
1	Case, Volute	H02692
2	Impeller	See Table I
7	Ring, Wearing	S15630
14	Sleeve, Shaft	S18869
26	Screw, Impeller 1/2 - 13 x 1"	S23619
32	Key, 1/4 x 2-1/4" [See Note]	S23677
69	Washer, Impeller	S06319
71	Bracket	See Table II
89	Seal, Mechanical Shaft	S32015
119	O-Ring	S13760
800A	Capscrew, 1/2 - 13 x 1-1/4" [8 Req.]	S26914
800B	Capscrew, 1/2 - 13 x 1" [4 Req.]	S26912
805	Washer, Lock	S23038
810	Plug, Pipe 1/2 NPT [4 Req.]	S23717
815	Ring, Retaining	S16767

Table II

HP	PH	Bracket No.	"AK" Fit	"U" Dim.	Motor Frame
15	3	L04616	8-1/2"	1-1/4"	254JM
20	3	L04616	8-1/2"	1-1/4"	256JM

NOTE: For an explanation of the tabulated material found on this page and for impeller key location, refer to **Supplement A** located at the beginning of this section.



BERKELEY® B5EPHS

Cast Iron Impeller

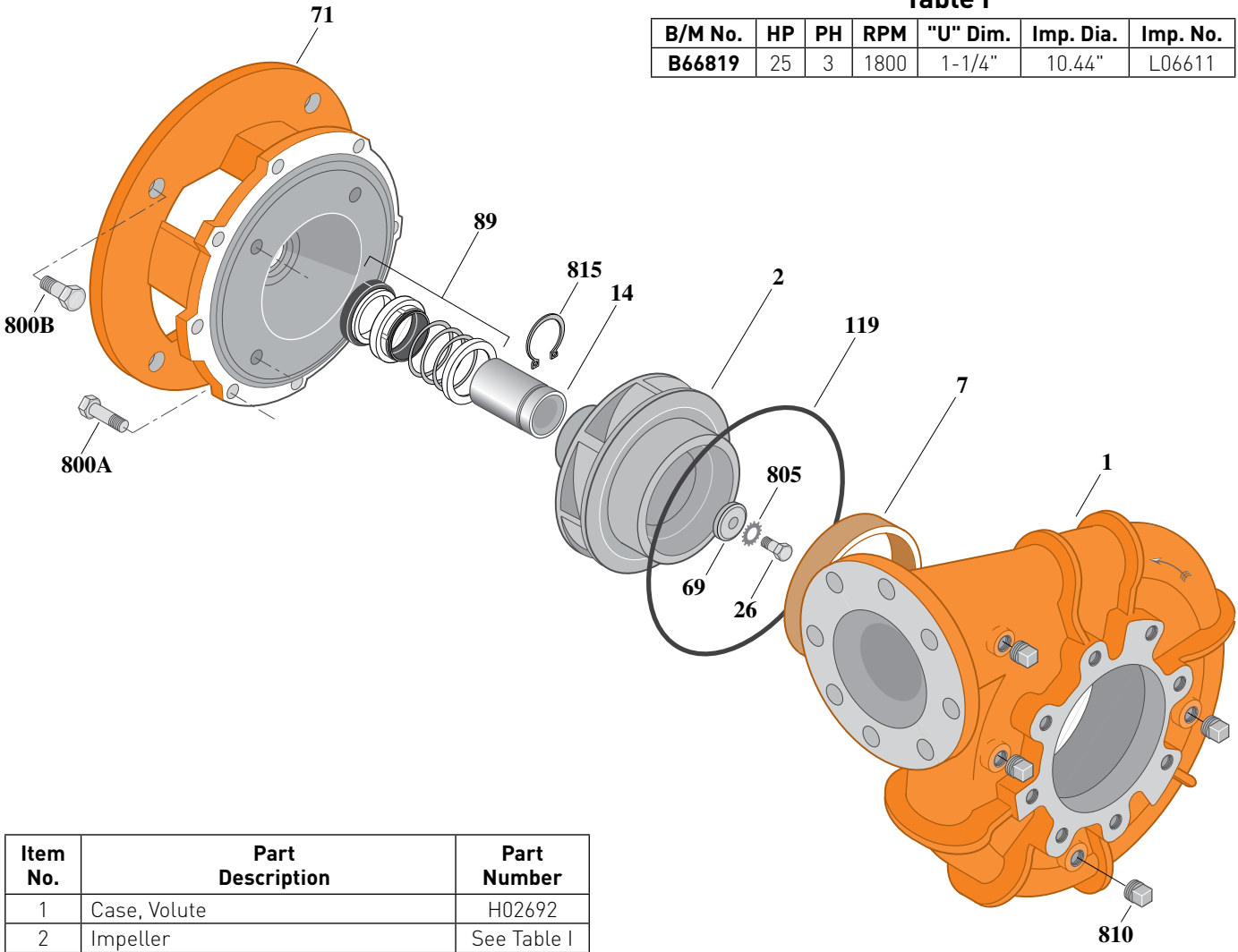
Flanged Case, Mechanical Shaft Seal Construction

ELECTRIC MOTOR DRIVE

Section	CC
Page	310.3
Date	March 4, 2013
Supersedes 01/01/04	

Table I

B/M No.	HP	PH	RPM	"U" Dim.	Imp. Dia.	Imp. No.
B66819	25	3	1800	1-1/4"	10.44"	L06611



1682 0295

Item No.	Part Description	Part Number
1	Case, Volute	H02692
2	Impeller	See Table I
7	Ring, Wearing	S15630
14	Sleeve, Shaft	S18869
26	Screw, Impeller 1/2 - 13 x 1"	S23619
32	Key, 1/4 x 2-1/4" (See Note)	S23677
69	Washer, Impeller	S06319
71	Bracket	See Table II
89	Seal, Mechanical Shaft	S32015
119	O-Ring	S13760
800A	Capscrew, 1/2 - 13 x 1-1/4" [8 Req.]	S26914
800B	Capscrew, 5/8 - 11 x 1-1/2" [4 Req.]	S26999
805	Washer, Lock	S23038
810	Plug, Pipe 1/2 NPT [4 Req.]	S23717
815	Ring, Retaining	S16767

Table II

HP	PH	Bracket No.	"AK" Fit	"U" Dim.	Motor Frame
25	3	L05396	12-1/2"	1-1/4"	284JM

NOTE: For an explanation of the tabulated material found on this page and for impeller key location, refer to **Supplement A** located at the beginning of this section.



BERKELEY® B5EPHS

Bronze Impeller

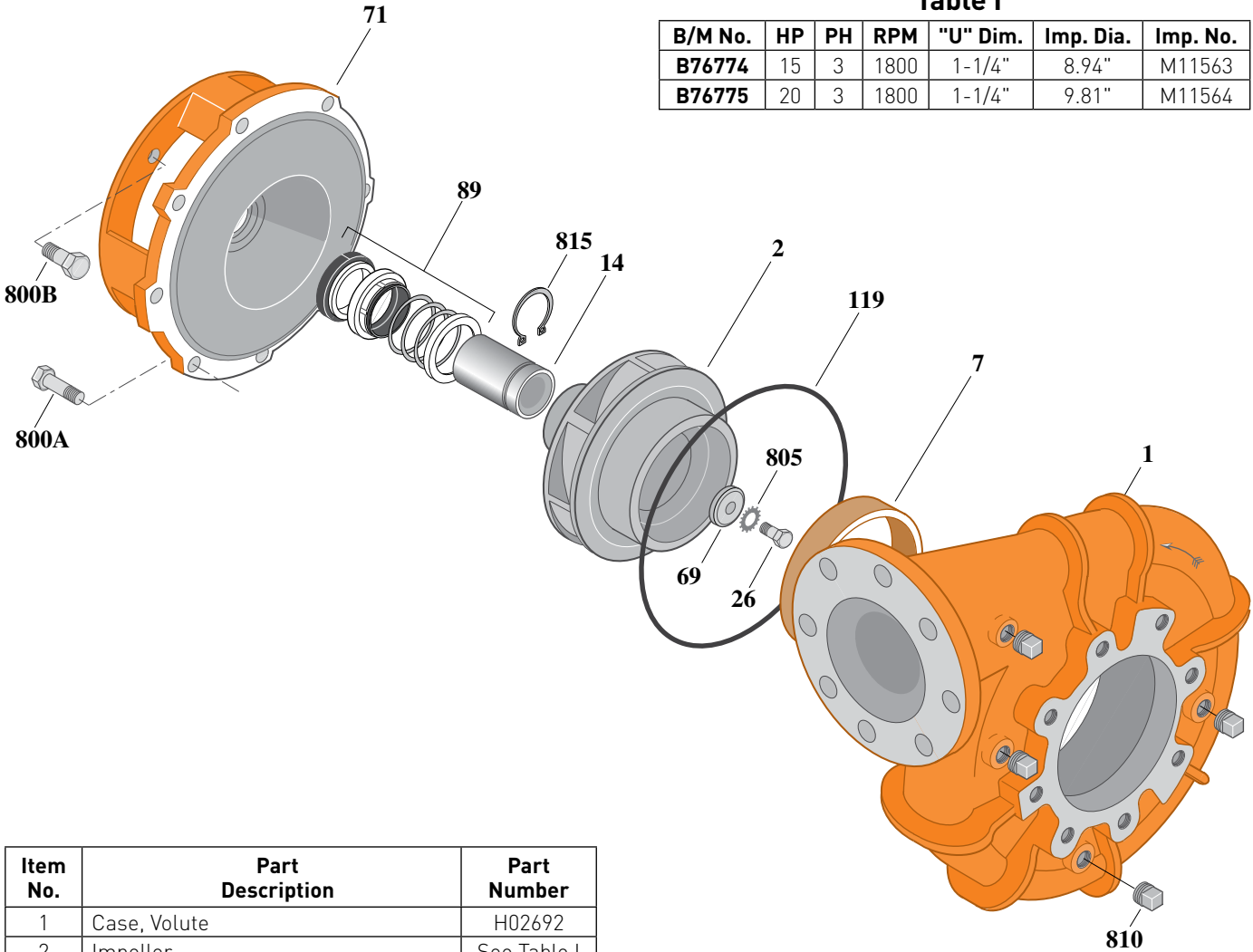
Flanged Case, Mechanical Shaft Seal Construction

ELECTRIC MOTOR DRIVE

Section	CC
Page	310.4
Date	March 4, 2013
Supersedes 01/01/04	

Table I

B/M No.	HP	PH	RPM	"U" Dim.	Imp. Dia.	Imp. No.
B76774	15	3	1800	1-1/4"	8.94"	M11563
B76775	20	3	1800	1-1/4"	9.81"	M11564



1681 0295

Item No.	Part Description	Part Number
1	Case, Volute	H02692
2	Impeller	See Table I
7	Ring, Wearing	S15630
14	Sleeve, Shaft	S18869
26	Screw, Impeller 1/2 - 13 x 1"	S23619
32	Key, 1/4 x 2-1/4" (See Note)	S23677
69	Washer, Impeller	S06319
71	Bracket	See Table II
89	Seal, Mechanical Shaft	S32015
119	O-Ring	S13760
800A	Capscrew, 1/2 - 13 x 1-1/4" [8 Req.]	S26914
800B	Capscrew, 1/2 - 13 x 1" [4 Req.]	S26912
805	Washer, Lock	S23038
810	Plug, Pipe 1/2 NPT [4 Req.]	S23717
815	Ring, Retaining	S16767

Table II

HP	PH	Bracket No.	"AK" Fit	"U" Dim.	Motor Frame
15	3	L04616	8-1/2"	1-1/4"	254JM
20	3	L04616	8-1/2"	1-1/4"	256JM

NOTE: For an explanation of the tabulated material found on this page and for impeller key location, refer to **Supplement A** located at the beginning of this section.



BERKELEY® B5EPHS

Bronze Impeller

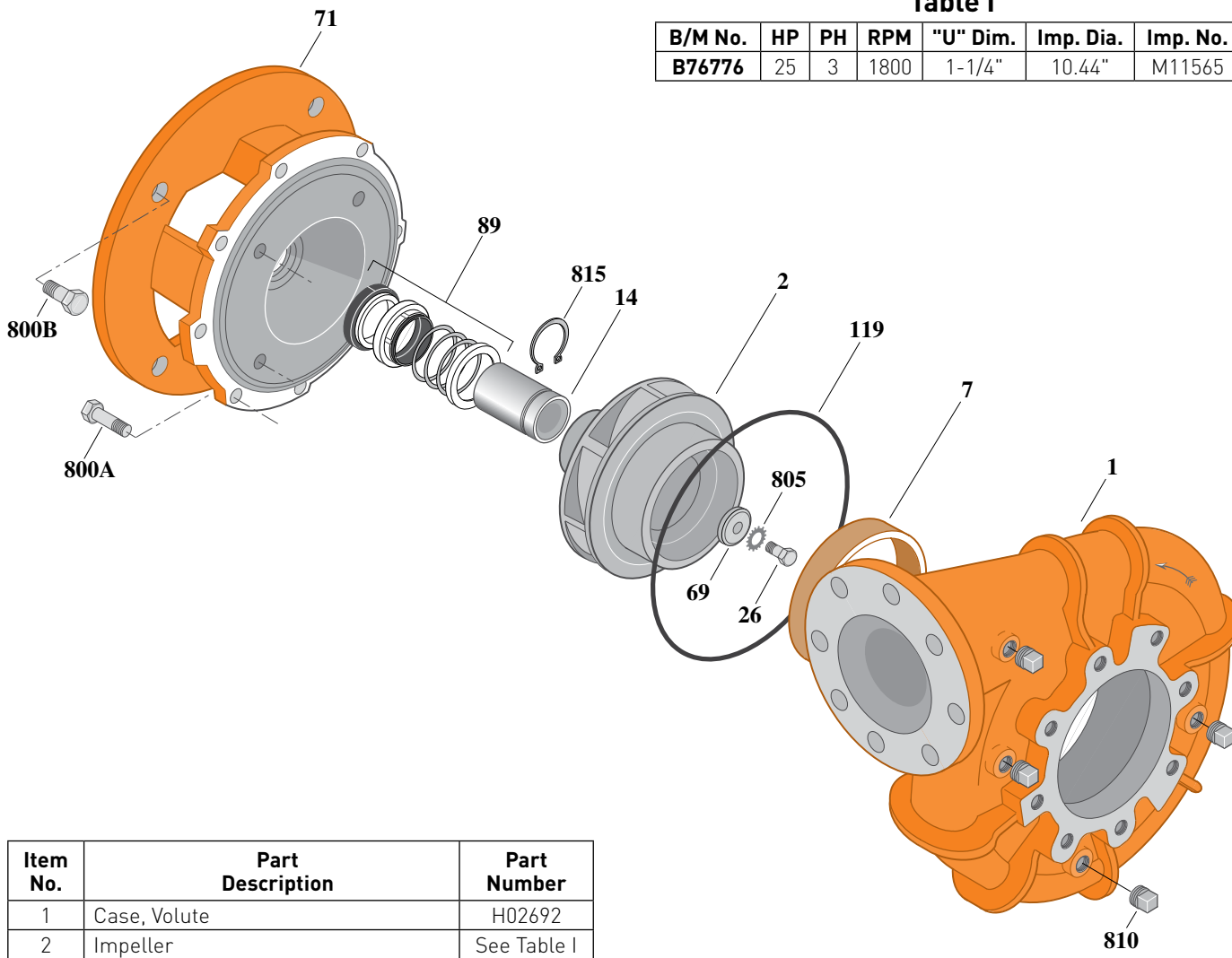
Flanged Case, Mechanical Shaft Seal Construction

ELECTRIC MOTOR DRIVE

Section	CC
Page	310.5
Date	March 4, 2013
Supersedes 01/01/04	

Table I

B/M No.	HP	PH	RPM	"U" Dim.	Imp. Dia.	Imp. No.
B76776	25	3	1800	1-1/4"	10.44"	M11565



1682 0295

Item No.	Part Description	Part Number
1	Case, Volute	H02692
2	Impeller	See Table I
7	Ring, Wearing	S15630
14	Sleeve, Shaft	S18869
26	Screw, Impeller 1/2 - 13 x 1"	S23619
32	Key, 1/4 x 2-1/4" (See Note)	S23677
69	Washer, Impeller	S06319
71	Bracket	See Table II
89	Seal, Mechanical Shaft	S32015
119	O-Ring	S13760
800A	Cap screw, 1/2 - 13 x 1-1/4" [8 Req.]	S26914
800B	Cap screw, 5/8 - 11 x 1-1/2" [4 Req.]	S26999
805	Washer, Lock	S23038
810	Plug, Pipe 1/2 NPT [4 Req.]	S23717
815	Ring, Retaining	S16767

Table II

HP	PH	Bracket No.	"AK" Fit	"U" Dim.	Motor Frame
25	3	L05396	12-1/2"	1-1/4"	284JM

NOTE: For an explanation of the tabulated material found on this page and for impeller key location, refer to **Supplement A** located at the beginning of this section.



BERKELEY® B5EPBM

Bronze Impeller

Flanged Case, Packing Construction

ELECTRIC MOTOR DRIVE

Section	CC
Page	320.1
Date	March 4, 2013
Supersedes 01/01/04	

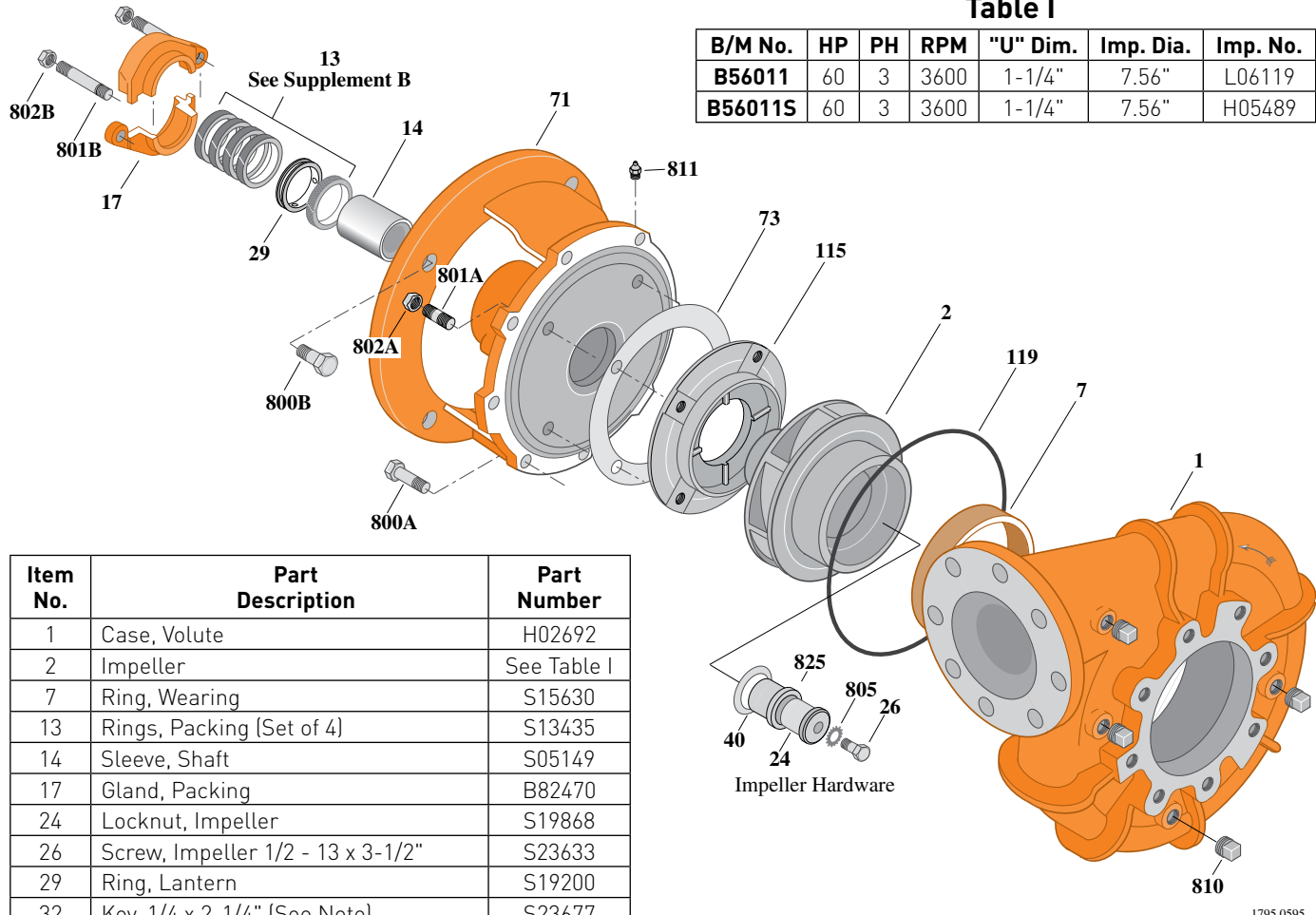


Table I

B/M No.	HP	PH	RPM	"U" Dim.	Imp. Dia.	Imp. No.
B56011	60	3	3600	1-1/4"	7.56"	L06119
B56011S	60	3	3600	1-1/4"	7.56"	H05489

Item No.	Part Description	Part Number
1	Case, Volute	H02692
2	Impeller	See Table I
7	Ring, Wearing	S15630
13	Rings, Packing (Set of 4)	S13435
14	Sleeve, Shaft	S05149
17	Gland, Packing	B82470
24	Locknut, Impeller	S19868
26	Screw, Impeller 1/2 - 13 x 3-1/2"	S23633
29	Ring, Lantern	S19200
32	Key, 1/4 x 2-1/4" (See Note)	S23677
40	Deflector	S19864
71	Bracket	See Table II
73	Gasket, Balance Ring	S09943
115	Ring, Balance	S12334
119	O-Ring	S13760
800A	Capscrew, 1/2 - 13 x 1-1/4" (8 Req.)	S26914
800B	Capscrew, 5/8 - 11 x 1-1/2" (4 Req.)	S26999
801A	Stud, 3/8 - 16 x 1-1/4" (4 Req.)	S23994
801B	Stud, 3/8 - 16 x 2-1/2" (2 Req.)	S04438
802A	Nut, Hex 3/8 - 16 (4 Req.)	S23013
802B	Nut, Hex 3/8 - 16 (2 Req.)	S23343
805	Washer, Lock	S23038
810	Plug, Pipe 1/2 NPT (4 Req.)	S23717
811	Fitting, Grease	S23700
812	Elbow, Street	S25421
825	Sleeve, Impeller Locknut	S19865

Table II

HP	PH	Bracket No.	"AK" Fit	"U" Dim.	Motor Frame
60	3	L03497	12-1/2"	1-1/4"	326JP

NOTE: For an explanation of the tabulated material found on this page and for impeller key location, refer to **Supplement A** located at the beginning of this section.



BERKELEY® B5EPBM

Bronze Impeller

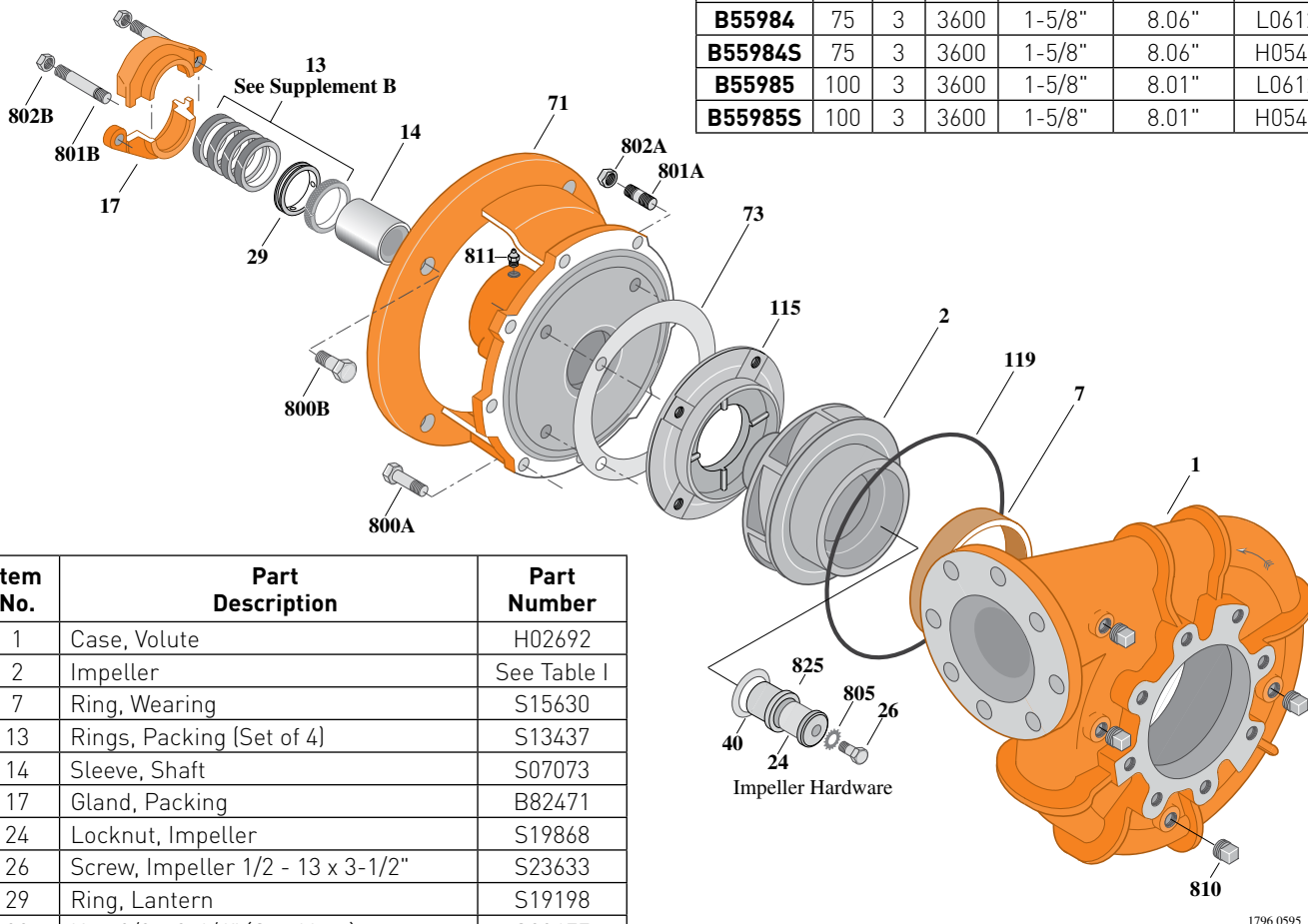
Flanged Case, Packing Construction

ELECTRIC MOTOR DRIVE

Section	CC
Page	320.2
Date	March 4, 2013
Supersedes 01/01/04	

Table I

B/M No.	HP	PH	RPM	"U" Dim.	Imp. Dia.	Imp. No.
B55984	75	3	3600	1-5/8"	8.06"	L06120
B55984S	75	3	3600	1-5/8"	8.06"	H05490
B55985	100	3	3600	1-5/8"	8.01"	L06121
B55985S	100	3	3600	1-5/8"	8.01"	H05491



Item No.	Part Description	Part Number
1	Case, Volute	H02692
2	Impeller	See Table I
7	Ring, Wearing	S15630
13	Rings, Packing (Set of 4)	S13437
14	Sleeve, Shaft	S07073
17	Gland, Packing	B82471
24	Locknut, Impeller	S19868
26	Screw, Impeller 1/2 - 13 x 3-1/2"	S23633
29	Ring, Lantern	S19198
32	Key, 3/8 x 2-1/4" (See Note)	S23677
40	Deflector	S19864
71	Bracket	See Table II
73	Gasket, Balance Ring	S09943
115	Ring, Balance	S12334
119	O-Ring	S13760
800A	Capscrew, 1/2 - 13 x 1-1/4" [8 Req.]	S26914
800B	Capscrew, 5/8 - 11 x 1-1/2" [4 Req.]	S26999
801A	Stud, 3/8 - 16 x 1-1/2" [4 Req.]	S23995
801B	Stud, 3/8 - 16 x 2-1/2" [2 Req.]	S04438
802A	Nut, Hex 3/8 - 16 [4 Req.]	S23013
802B	Nut, Hex 3/8 - 16 [2 Req.]	S23343
805	Washer, Lock	S23038
810	Plug, Pipe 1/2 NPT [4 Req.]	S23717
811	Fitting, Grease	S23700
825	Sleeve, Impeller Locknut	S19865

Table II

HP	PH	Bracket No.	"AK" Fit	"U" Dim.	Motor Frame
75	3	L05610	12-1/2"	1-5/8"	364JP
100	3	L05610	12-1/2"	1-5/8"	365JP

NOTE: For an explanation of the tabulated material found on this page and for impeller key location, refer to **Supplement A** located at the beginning of this section.



BERKELEY® B5EPBM

Bronze Impeller

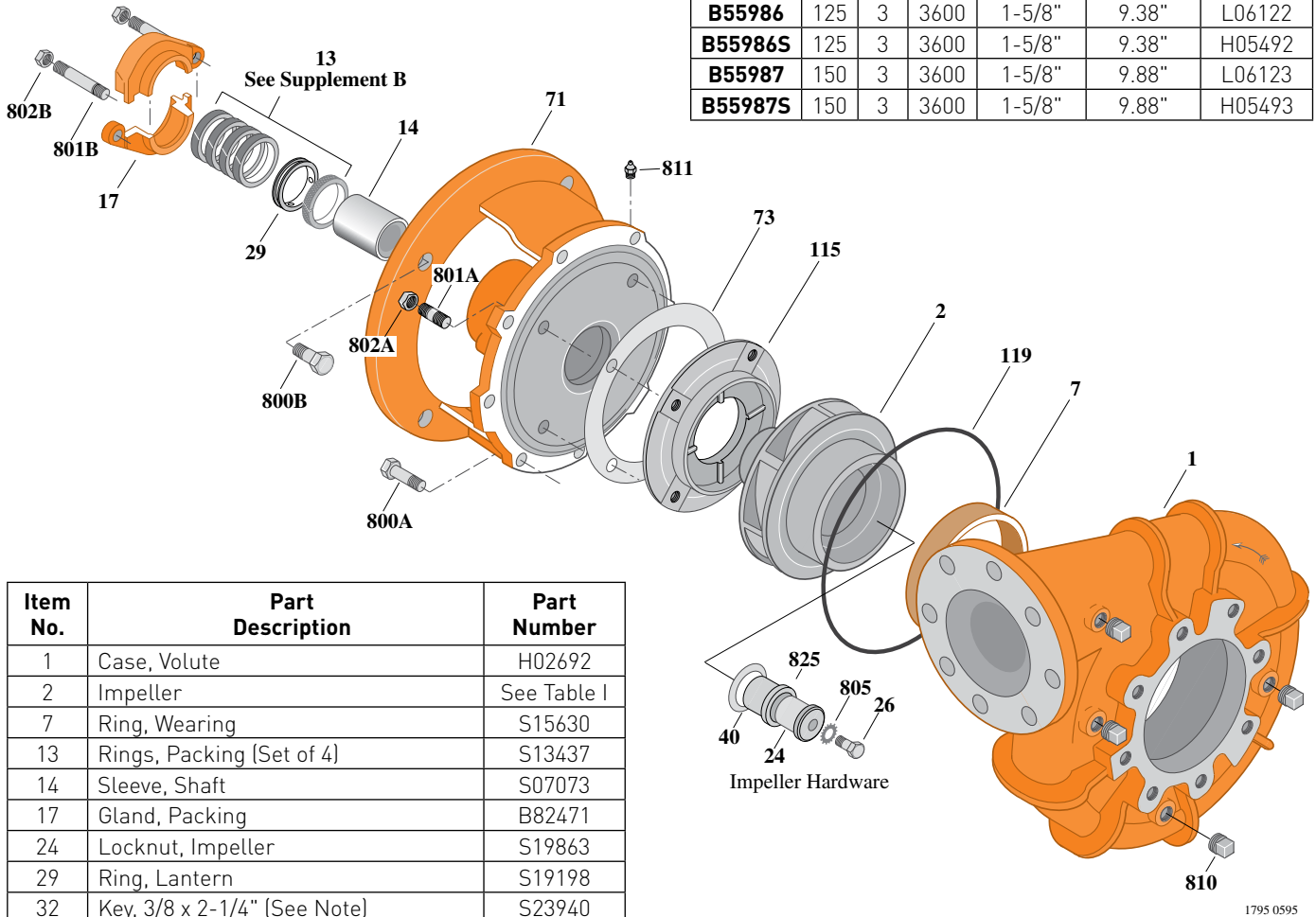
Flanged Case, Packing Construction

ELECTRIC MOTOR DRIVE

Section	CC
Page	320.3
Date	March 4, 2013
Supersedes 01/01/04	

Table I

B/M No.	HP	PH	RPM	"U" Dim.	Imp. Dia.	Imp. No.
B55986	125	3	3600	1-5/8"	9.38"	L06122
B55986S	125	3	3600	1-5/8"	9.38"	H05492
B55987	150	3	3600	1-5/8"	9.88"	L06123
B55987S	150	3	3600	1-5/8"	9.88"	H05493



Item No.	Part Description	Part Number
1	Case, Volute	H02692
2	Impeller	See Table I
7	Ring, Wearing	S15630
13	Rings, Packing (Set of 4)	S13437
14	Sleeve, Shaft	S07073
17	Gland, Packing	B82471
24	Locknut, Impeller	S19863
29	Ring, Lantern	S19198
32	Key, 3/8 x 2-1/4" (See Note)	S23940
40	Deflector	S19864
71	Bracket	See Table II
73	Gasket, Balance Ring	S09943
115	Ring, Balance	S12334
119	O-Ring	S13760
800A	Capscrew, 1/2 - 13 x 1-1/4" [8 Req.]	S26914
800B	Capscrew, 5/8 - 11 x 1-1/2" [4 Req.]	S26999
801A	Stud, 3/8 - 16 x 1-1/2" [4 Req.]	S23995
801B	Stud, 3/8 - 16 x 2-1/2" [2 Req.]	S04438
802A	Nut, Hex 3/8 - 16 [4 Req.]	S23103
802B	Nut, Hex 3/8 - 16 [2 Req.]	S23343
810	Plug, Pipe 1/2 NPT [4 Req.]	S23717
811	Fitting, Grease	S23700
825	Sleeve, Impeller Locknut	S19865

Table II

HP	PH	Bracket No.	"AK" Fit	"U" Dim.	Motor Frame
125	3	L05610	12-1/2"	1-5/8"	404TC
150	3	L05610	12-1/2"	1-5/8"	405TC

NOTE: For an explanation of the tabulated material found on this page and for impeller key location, refer to **Supplement A** located at the beginning of this section.



BERKELEY® B5EPBMS

Bronze Impeller

Flanged Case, Mechanical Shaft Seal Construction

ELECTRIC MOTOR DRIVE

Section	CC
Page	320.4
Date	March 4, 2013
Supersedes 01/01/04	

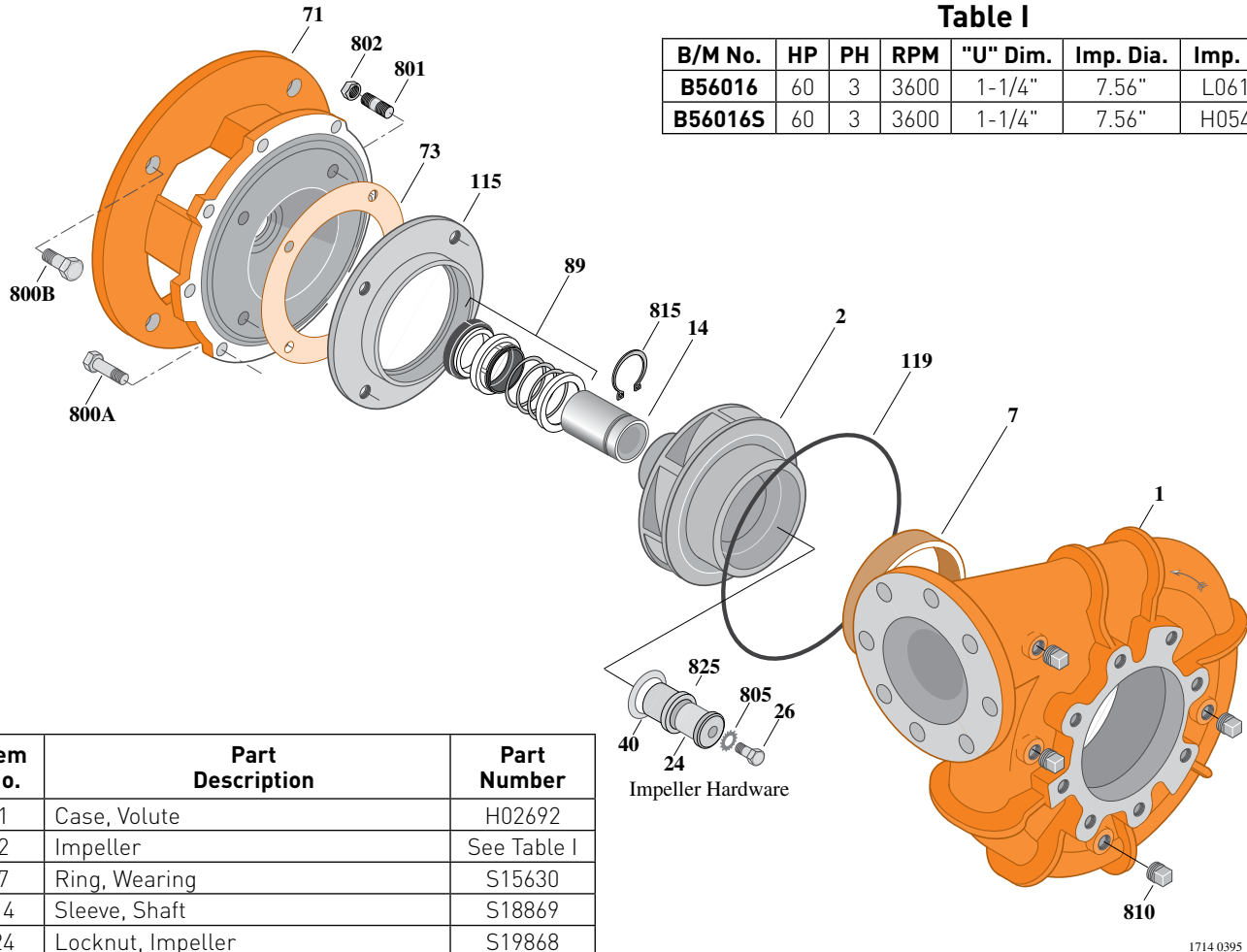


Table I

B/M No.	HP	PH	RPM	"U" Dim.	Imp. Dia.	Imp. No.
B56016	60	3	3600	1-1/4"	7.56"	L06119
B56016S	60	3	3600	1-1/4"	7.56"	H05489

Item No.	Part Description	Part Number
1	Case, Volute	H02692
2	Impeller	See Table I
7	Ring, Wearing	S15630
14	Sleeve, Shaft	S18869
24	Locknut, Impeller	S19868
26	Screw, Impeller 1/2 - 13 x 3-1/2"	S23633
32	Key, 1/4 x 2-1/4" (See Note)	S23677
40	Deflector	S19864
71	Bracket	See Table II
73	Gasket, Balance Ring	S09943
89	Seal, Mechanical Shaft	S32015
115	Ring, Balance	S19109
119	O-Ring	S13760
800A	Capscrew, 1/2 - 13 x 1-1/4" [8 Req.]	S26914
800B	Capscrew, 5/8 - 11 x 1-1/2" [4 Req.]	S26999
801	Stud, 3/8 - 16 x 1-1/2" [4 Req.]	S23995
802	Nut, 3/8 - 16 [4 Req.]	S23103
805	Washer, Lock	S23038
810	Plug, Pipe 1/2 NPT [4 Req.]	S23717
815	Ring, Retaining	S16767
825	Sleeve, Impeller	S19865

Table II

HP	PH	Bracket No.	"AK" Fit	"U" Dim.	Motor Frame
60	3	L04628	12-1/2"	1-1/4"	326JM

NOTE: For an explanation of the tabulated material found on this page and for impeller key location, refer to **Supplement A** located at the beginning of this section.



BERKELEY® B5EPBMS

Bronze Impeller

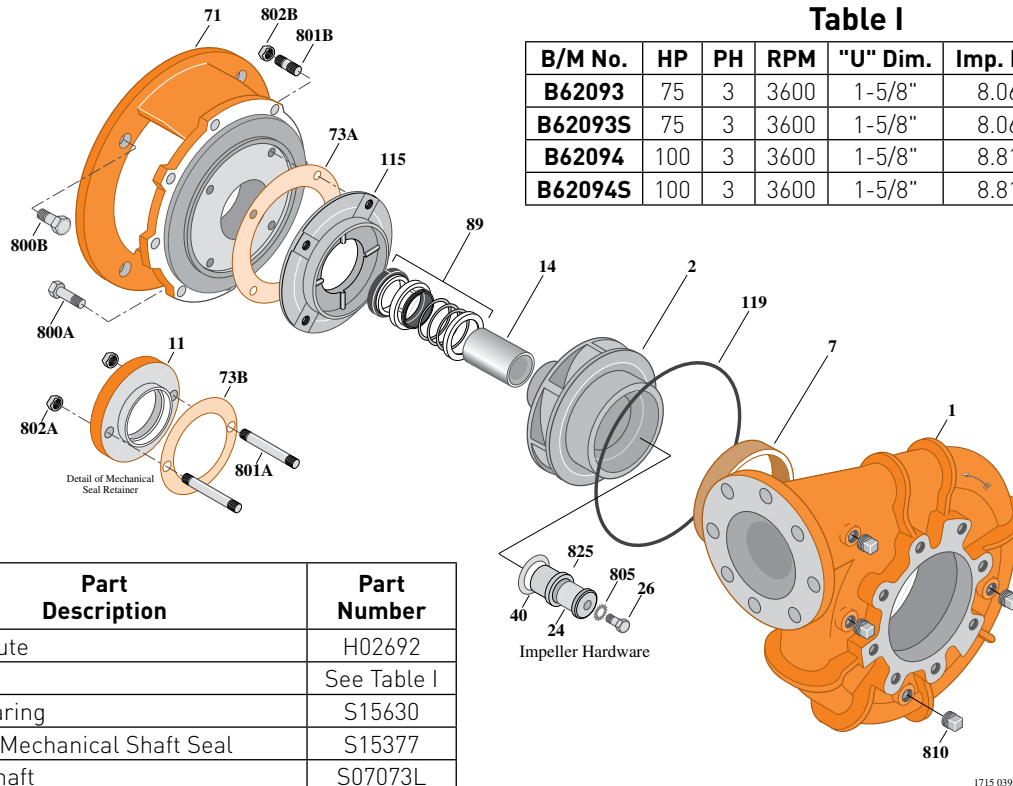
Flanged Case, Mechanical Shaft Seal Construction

ELECTRIC MOTOR DRIVE

Section	CC
Page	320.5
Date	March 4, 2013
Supersedes 07/01/11	

Table I

B/M No.	HP	PH	RPM	"U" Dim.	Imp. Dia.	Imp. No.
B62093	75	3	3600	1-5/8"	8.06"	L06120
B62093S	75	3	3600	1-5/8"	8.06"	H05490
B62094	100	3	3600	1-5/8"	8.81"	L06121
B62094S	100	3	3600	1-5/8"	8.81"	H05491



Item No.	Part Description	Part Number
1	Case, Volute	H02692
2	Impeller	See Table I
7	Ring, Wearing	S15630
11	Retainer, Mechanical Shaft Seal	S15377
14	Sleeve, Shaft	S07073L
24	Locknut, Impeller	S19868
26	Screw, Impeller 1/2-13x3-1/2"	S23633
32	Key, 3/8-2-1/4" [See Note]	S23940
40	Deflector	S19864
71	Bracket	See Table II
73A	Gasket, Balance Ring	S09943
73B	Gasket, Seal Retainer	S15078
89	Seal, Mechanical Shaft	S32016
115	Ring, Balance	S12334
119	O-Ring	S13760
800A	Capscrew, 1/2-13x1-1/4" (8 Req.)	S26914
800B	Capscrew, 5/8-11x1-3/4" (4 Req.)	S27001
801A	Stud, 3/8-16x2-1/2" (2 Req.)	S04438
801B	Stud, 3/8-16x1-1/2" (4 Req.)	S23994
802A	Nut, Hex 3/8-16 (2 Req.)	S23343
802B	Nut, Hex 3/8-16 (4 Req.)	S23103
805	Washer, Lock	S23038
810	Plug, Pipe 1/2 NPT (4 Req.)	S23717
820	Connector, Comp. Fitting (2 Req.)	S23013
822	Tubing, Copper	S20677
825	Sleeve, Impeller Locknut	S19865
•	Plug, Pipe 1/8 NPT [Not Illustrated]	S23714

Table II

HP	PH	Bracket No.	"AK" Fit	"U" Dim.	Motor Frame
75	3	L06315	12-1/2"	1-5/8"	364JP
100	3	L06315	12-1/2"	1-5/8"	365JP

NOTE: For an explanation of the tabulated material found on this page and for impeller key location, refer to **Supplement A** located at the beginning of this section.



BERKELEY® B5EPBMS

Bronze Impeller

Flanged Case, Mechanical Shaft Seal Construction

ELECTRIC MOTOR DRIVE

Section	CC
Page	320.6
Date	March 4, 2013
Supersedes 07/01/11	

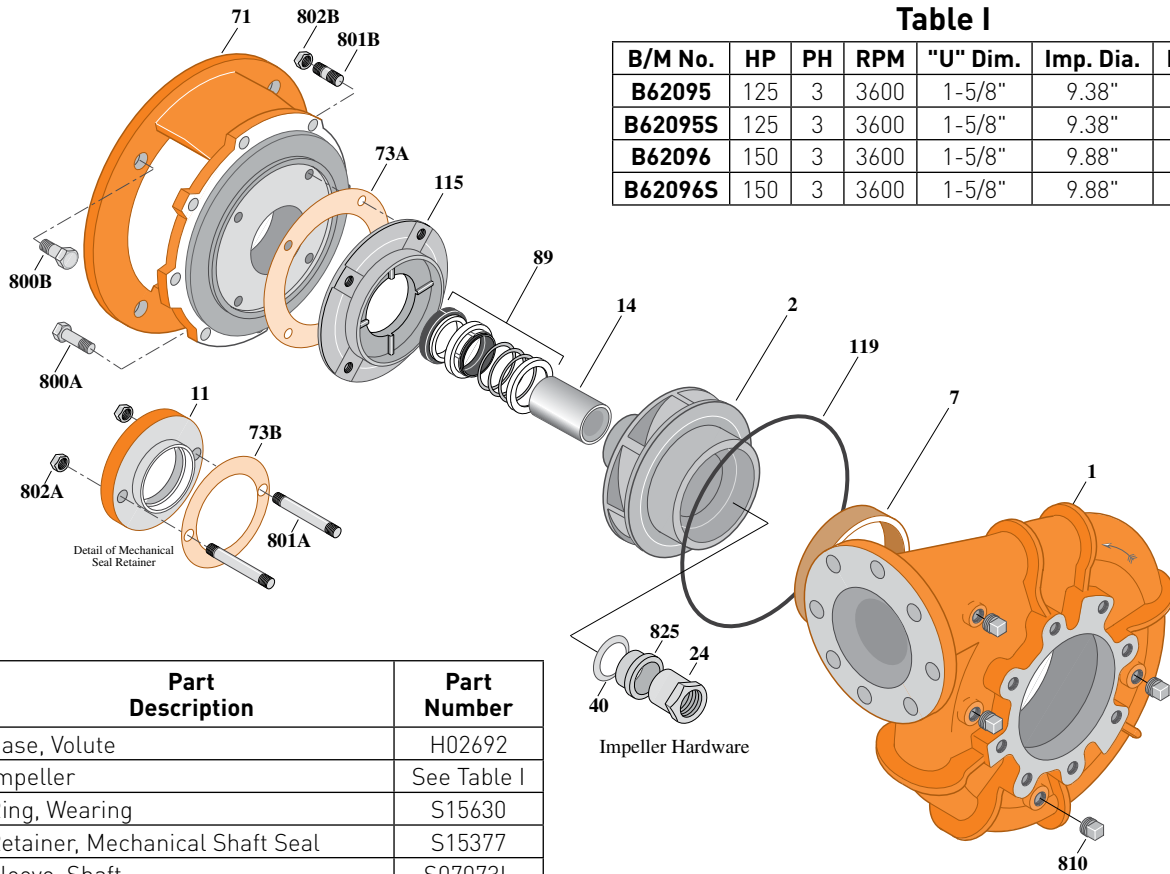


Table I

B/M No.	HP	PH	RPM	"U" Dim.	Imp. Dia.	Imp. No.
B62095	125	3	3600	1-5/8"	9.38"	L06122
B62095S	125	3	3600	1-5/8"	9.38"	H05492
B62096	150	3	3600	1-5/8"	9.88"	L06123
B62096S	150	3	3600	1-5/8"	9.88"	H05493

Item No.	Part Description	Part Number
1	Case, Volute	H02692
2	Impeller	See Table I
7	Ring, Wearing	S15630
11	Retainer, Mechanical Shaft Seal	S15377
14	Sleeve, Shaft	S07073L
24	Nut, Lock 1-1/4-12	S19863
32	Key, 3/8x2-1/4" [See Note]	S23940
40	Deflector	S19864
71	Bracket	See Table II
73A	Gasket, Balance Ring	S09943
89	Seal, Mechanical Shaft	S32016
115	Ring, Balance	S12334
119	O-Ring	S13760
800A	Capscrew, 1/2-13x1-1/4" (8 Req.)	S26914
800B	Capscrew, 5/8-11x1-3/4" (4 Req.)	S27001
801A	Stud, 3/8-16x2-1/2" (2 Req.)	S04438
801B	Stud, 3/8-16x1-1/4" (4 Req.)	S23994
802A	Nut, Hex 3/8-16 (2 Req.)	S23343
802B	Nut, Hex 3/8-16 (4 Req.)	S23103
810	Plug, Pipe 1/2 NPT (4 Req.)	S23717
820	Connector, Comp. Fitting (2 Req.)	S24013
822	Tubing, Copper	S20677
825	Sleeve, Impeller Locknut	S19865
•	Plug, Pipe 1/8 NPT [Not Illustrated]	S23714

Table II

HP	PH	Bracket No.	"AK" Fit	"U" Dim.	Motor Frame
125	3	L06315	12-1/2"	1-5/8"	404TC
150	3	L06315	12-1/2"	1-5/8"	405TC

NOTE: For an explanation of the tabulated material found on this page and for impeller key location, refer to **Supplement A** located at the beginning of this section.



BERKELEY® B5EPBM

Silicon Bronze Impeller

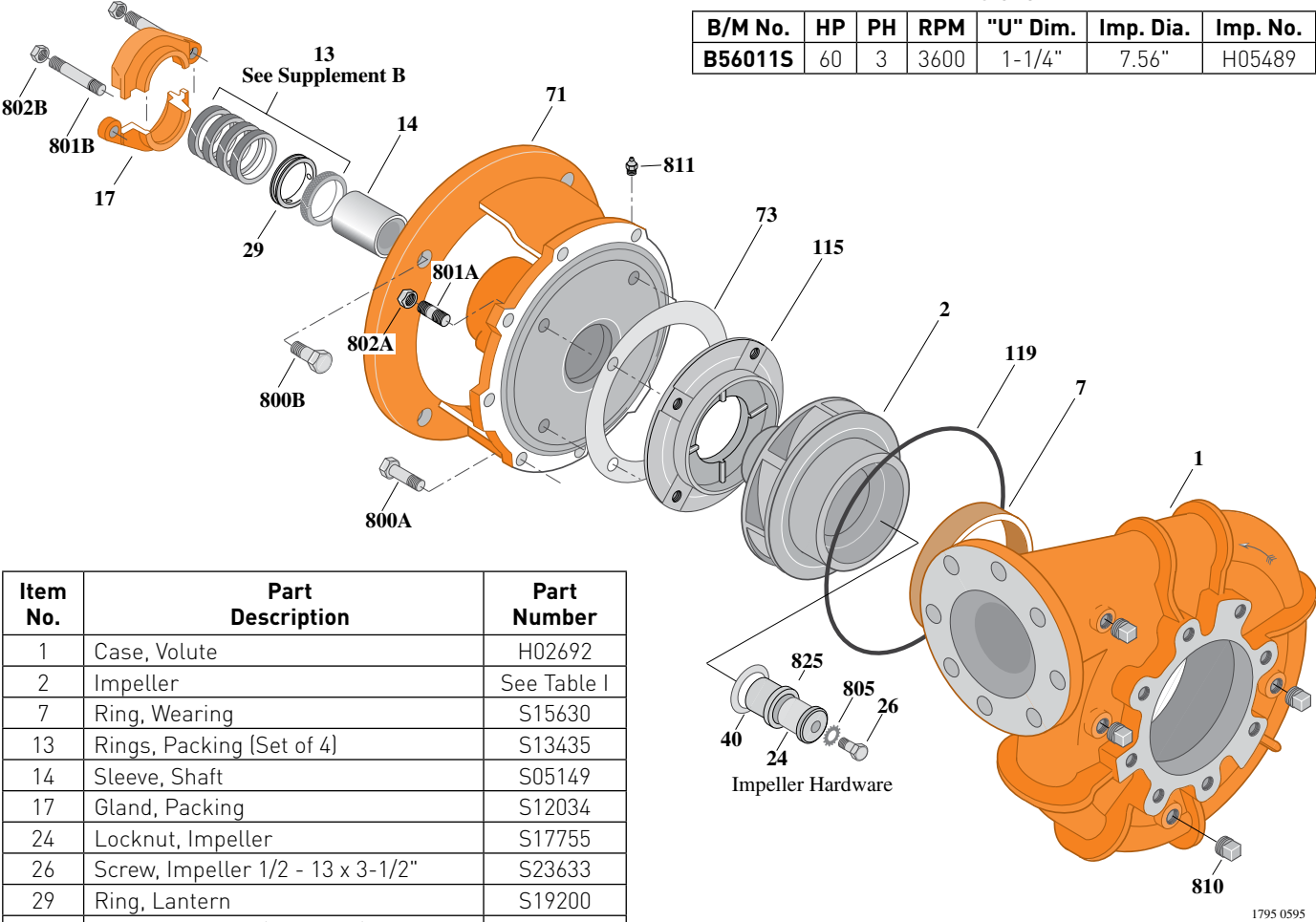
Flanged Case, Packing Construction

ELECTRIC MOTOR DRIVE

Section	CC
Page	320.7
Date	March 4, 2013
Supersedes 09/01/97	

Table I

B/M No.	HP	PH	RPM	"U" Dim.	Imp. Dia.	Imp. No.
B56011S	60	3	3600	1-1/4"	7.56"	H05489



Item No.	Part Description	Part Number
1	Case, Volute	H02692
2	Impeller	See Table I
7	Ring, Wearing	S15630
13	Rings, Packing (Set of 4)	S13435
14	Sleeve, Shaft	S05149
17	Gland, Packing	S12034
24	Locknut, Impeller	S17755
26	Screw, Impeller 1/2 - 13 x 3-1/2"	S23633
29	Ring, Lantern	S19200
32	Key, 1/4 x 2-1/4" (See Note)	S23677
40	Deflector	S19864
71	Bracket	See Table II
73	Gasket, Balance Ring	S09943
115	Ring, Balance	S12334
119	O-Ring	S13760
800A	Capscrew, 1/2 - 13 x 1-1/4" [8 Req.]	S26914
800B	Capscrew, 5/8 - 11 x 1-1/2" [4 Req.]	S26999
801A	Stud, 3/8 - 16 x 1-1/4" [4 Req.]	S23994
801B	Stud, 3/8 - 16 x 2-1/2" [2 Req.]	S04438
802A	Nut, Hex 3/8 - 16 [4 Req.]	S23013
802B	Nut, Hex 3/8 - 16 [2 Req.]	S23343
805	Washer, Lock	S23038
810	Plug, Pipe 1/2" NPT [4 Req.]	S23717
811	Fitting, Grease	S23700
825	Sleeve, Impeller Locknut	S19865

Table II

HP	PH	Bracket No.	"AK" Fit	"U" Dim.	Motor Frame
60	3	L03497	12-1/2"	1-1/4"	326JP

NOTE: For an explanation of the tabulated material found on this page and for impeller key location, refer to **Supplement A** located at the beginning of this section.



BERKELEY® B5EPBM

Silicon Bronze Impeller

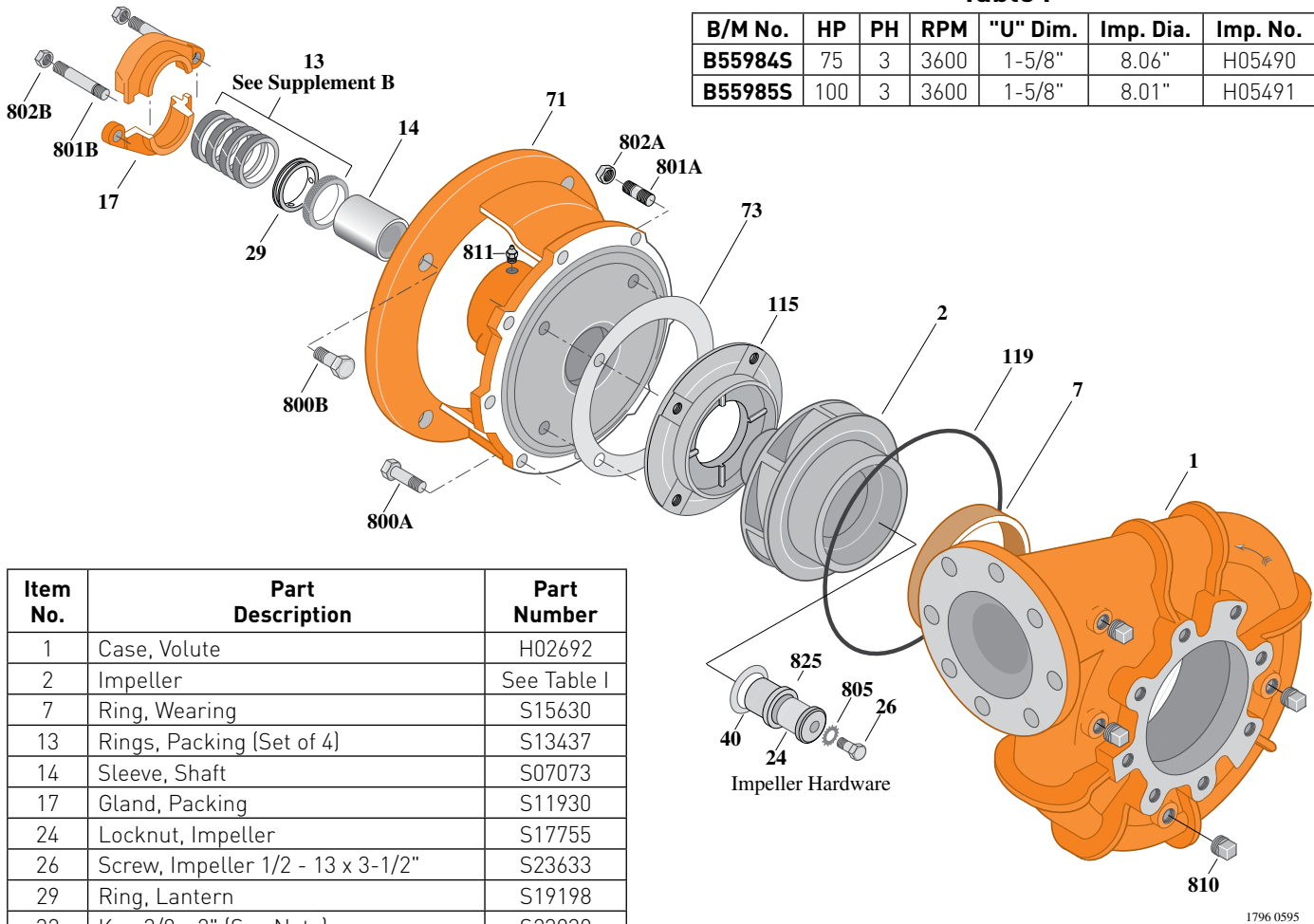
Flanged Case, Packing Construction

ELECTRIC MOTOR DRIVE

Section	CC
Page	320.8
Date	March 4, 2013
Supersedes 9/01/97	

Table I

B/M No.	HP	PH	RPM	"U" Dim.	Imp. Dia.	Imp. No.
B55984S	75	3	3600	1-5/8"	8.06"	H05490
B55985S	100	3	3600	1-5/8"	8.01"	H05491



Item No.	Part Description	Part Number
1	Case, Volute	H02692
2	Impeller	See Table I
7	Ring, Wearing	S15630
13	Rings, Packing (Set of 4)	S13437
14	Sleeve, Shaft	S07073
17	Gland, Packing	S11930
24	Locknut, Impeller	S17755
26	Screw, Impeller 1/2 - 13 x 3-1/2"	S23633
29	Ring, Lantern	S19198
32	Key, 3/8 x 2" [See Note]	S23939
40	Deflector	S19864
71	Bracket	See Table II
73	Gasket, Balance Ring	S09943
115	Ring, Balance	S12334
119	O-Ring	S13760
800A	Capscrew, 1/2 - 13 x 1-1/4" [8 Req.]	S26914
800B	Capscrew, 5/8 - 11 x 1-1/2" [4 Req.]	S26999
801A	Stud, 3/8 - 16 x 1-1/2" [4 Req.]	S23995
801B	Stud, 3/8 - 16 x 2-1/2" [2 Req.]	S04438
802A	Nut, Hex 3/8 - 16 [4 Req.]	S23013
802B	Nut, Hex 3/8 - 16 [2 Req.]	S23343
805	Washer, Lock	S23038
810	Plug, Pipe 1/2" NPT [4 Req.]	S23717
811	Fitting, Grease	S23700
825	Sleeve, Impeller Locknut	S19865

Table II

HP	PH	Bracket No.	"AK" Fit	"U" Dim.	Motor Frame
75	3	L05610	12-1/2"	1-5/8"	364JP
100	3	L05610	12-1/2"	1-5/8"	365JP

NOTE: For an explanation of the tabulated material found on this page and for impeller key location, refer to **Supplement A** located at the beginning of this section.



BERKELEY® B5EPBM

Silicon Bronze Impeller

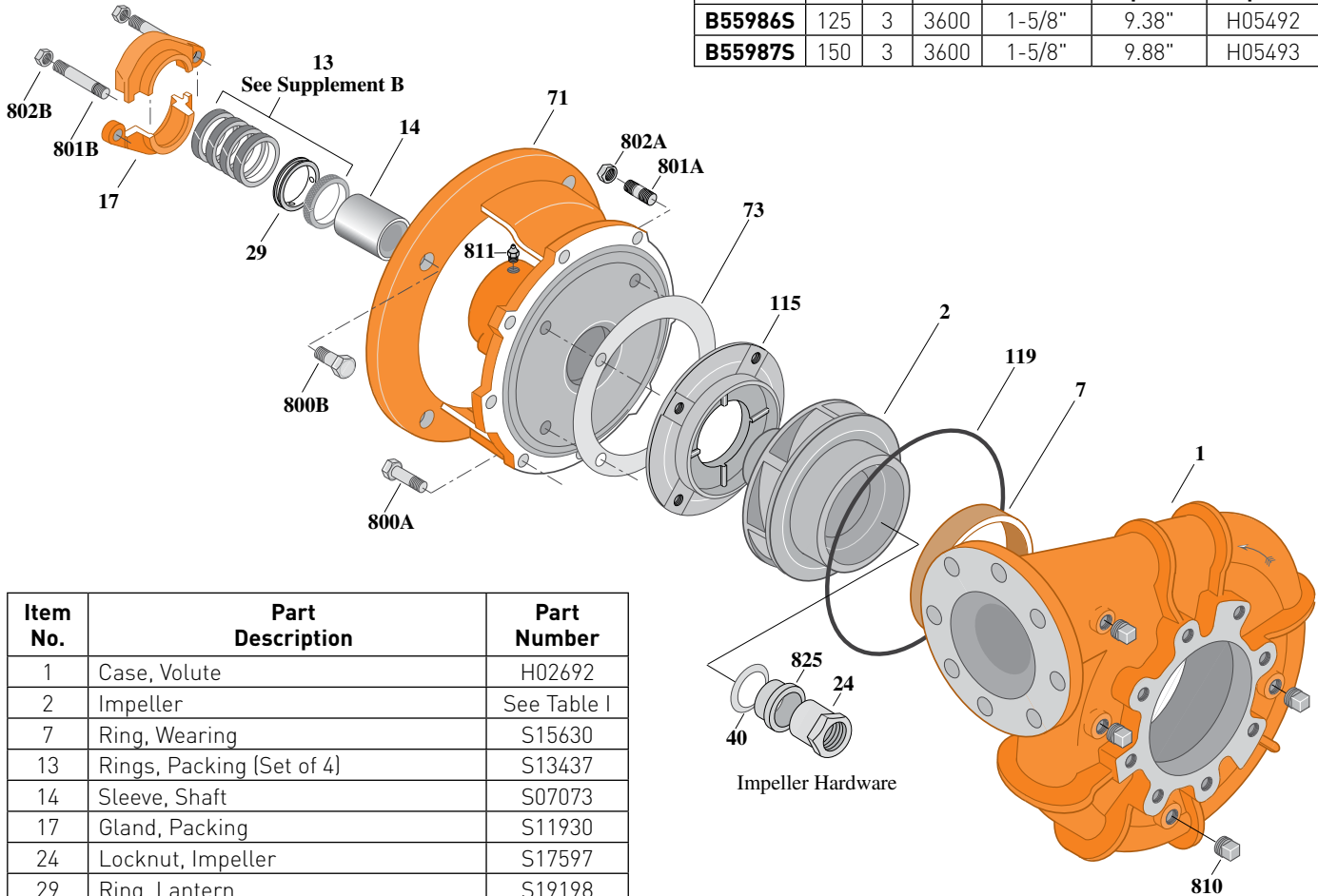
Flanged Case, Packing Construction

ELECTRIC MOTOR DRIVE

Section	CC
Page	320.9
Date	March 4, 2013
Supersedes 09/01/97	

Table I

B/M No.	HP	PH	RPM	"U" Dim.	Imp. Dia.	Imp. No.
B55986S	125	3	3600	1-5/8"	9.38"	H05492
B55987S	150	3	3600	1-5/8"	9.88"	H05493



Item No.	Part Description	Part Number
1	Case, Volute	H02692
2	Impeller	See Table I
7	Ring, Wearing	S15630
13	Rings, Packing (Set of 4)	S13437
14	Sleeve, Shaft	S07073
17	Gland, Packing	S11930
24	Locknut, Impeller	S17597
29	Ring, Lantern	S19198
32	Key, 3/8 x 2-1/4" (See Note)	S23940
40	Deflector	S19864
71	Bracket	See Table II
73	Gasket, Balance Ring	S09943
115	Ring, Balance	S12334
119	O-Ring	S13760
800A	Capscrew, 1/2 - 13 x 1-1/4" [8 Req.]	S26914
800B	Capscrew, 5/8 - 11 x 1-1/2" [4 Req.]	S26999
801A	Stud, 3/8 - 16 x 1-1/2" [4 Req.]	S23995
801B	Stud, 3/8 - 16 x 2-1/2" [2 Req.]	S04438
802A	Nut, Hex 3/8 - 16 [4 Req.]	S23103
802B	Nut, Hex 3/8 - 16 [2 Req.]	S23343
810	Plug, Pipe 1/2" NPT [4 Req.]	S23717
811	Fitting, Grease	S23700
825	Sleeve, Impeller Locknut	S19865

Table II

HP	PH	Bracket No.	"AK" Fit	"U" Dim.	Motor Frame
125	3	L05610	12-1/2"	1-5/8"	404TC
150	3	L05610	12-1/2"	1-5/8"	405TC

NOTE: For an explanation of the tabulated material found on this page and for impeller key location, refer to **Supplement A** located at the beginning of this section.



BERKELEY® B5EPBMS Silicon Bronze Impeller

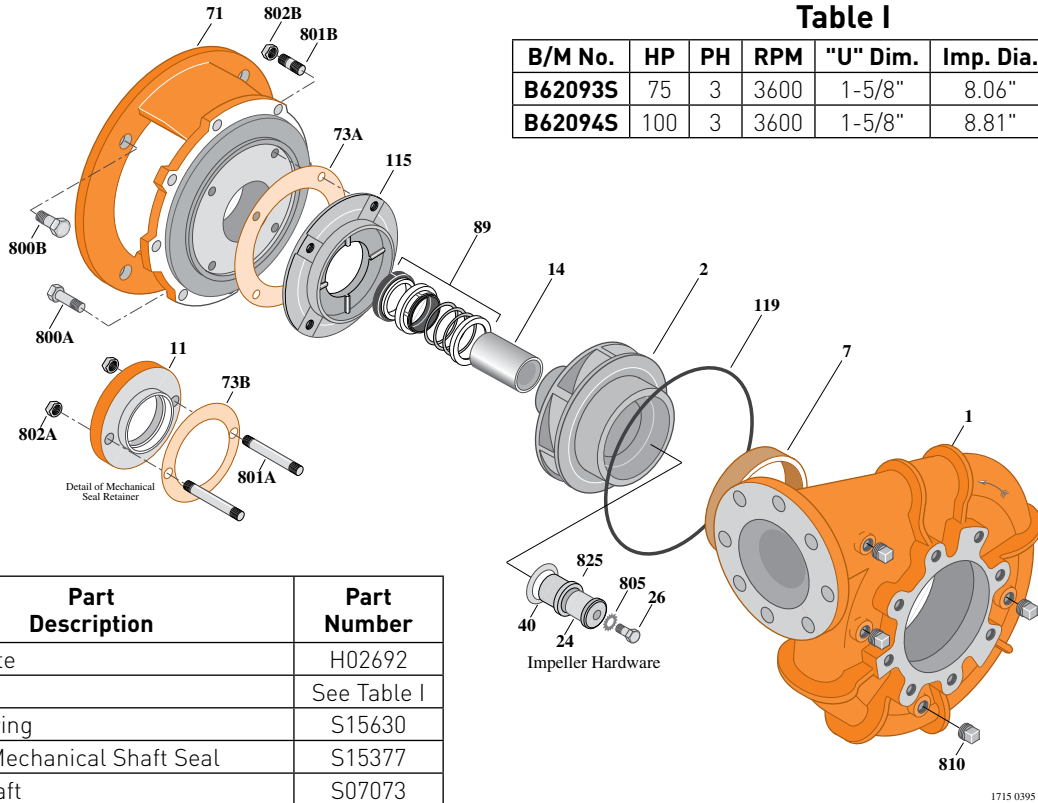
Flanged Case, Mechanical Shaft Seal Construction

ELECTRIC MOTOR DRIVE

Section	CC
Page	320.11
Date	March 4, 2013
Supersedes 09/01/97	

Table I

B/M No.	HP	PH	RPM	"U" Dim.	Imp. Dia.	Imp. No.
B62093S	75	3	3600	1-5/8"	8.06"	H05490
B62094S	100	3	3600	1-5/8"	8.81"	H05491



Item No.	Part Description	Part Number
1	Case, Volute	H02692
2	Impeller	See Table I
7	Ring, Wearing	S15630
11	Retainer, Mechanical Shaft Seal	S15377
14	Sleeve, Shaft	S07073
24	Locknut, Impeller	S17755
26	Screw, Impeller 1/2-13x3-1/2"	S23633
32	Key, 3/8-2" (See Note)	S23939
40	Deflector	S19864
71	Bracket	See Table II
73A	Gasket, Balance Ring	S09943
73B	Gasket, Seal Retainer	S15078
89	Seal, Mechanical Shaft	S32016
115	Ring, Balance	S12334
119	O-Ring	S13760
800A	Capscrew, 1/2-13x1-1/4" (8 Req.)	S26914
800B	Capscrew, 5/8-11x1-3/4" (4 Req.)	S27001
801A	Stud, 3/8-16x2-1/2" (2 Req.)	S04438
801B	Stud, 3/8-16x1-1/2" (4 Req.)	S23995
802A	Nut, Hex 3/8-16 (2 Req.)	S23343
802B	Nut, Hex 3/8-16 (4 Req.)	S23103
805	Washer, Lock	S23038
810	Plug, Pipe 1/2" NPT (4 Req.)	S23717
825	Sleeve, Impeller Locknut	S19865
•	Plug, Pipe 1/8" NPT (In Bracket)	S23714

• Not illustrated.

Table II

HP	PH	Bracket No.	"AK" Fit	"U" Dim.	Motor Frame
75	3	L06315	12-1/2"	1-5/8"	364JP
100	3	L06315	12-1/2"	1-5/8"	365JP

NOTE 1: For an explanation of the tabulated material found on this page and for impeller key location, refer to **Supplement A** located at the beginning of this section.

NOTE 2: For seal flush line details, see **Supplement D**.



BERKELEY® B5EPBMS Silicon Bronze Impeller

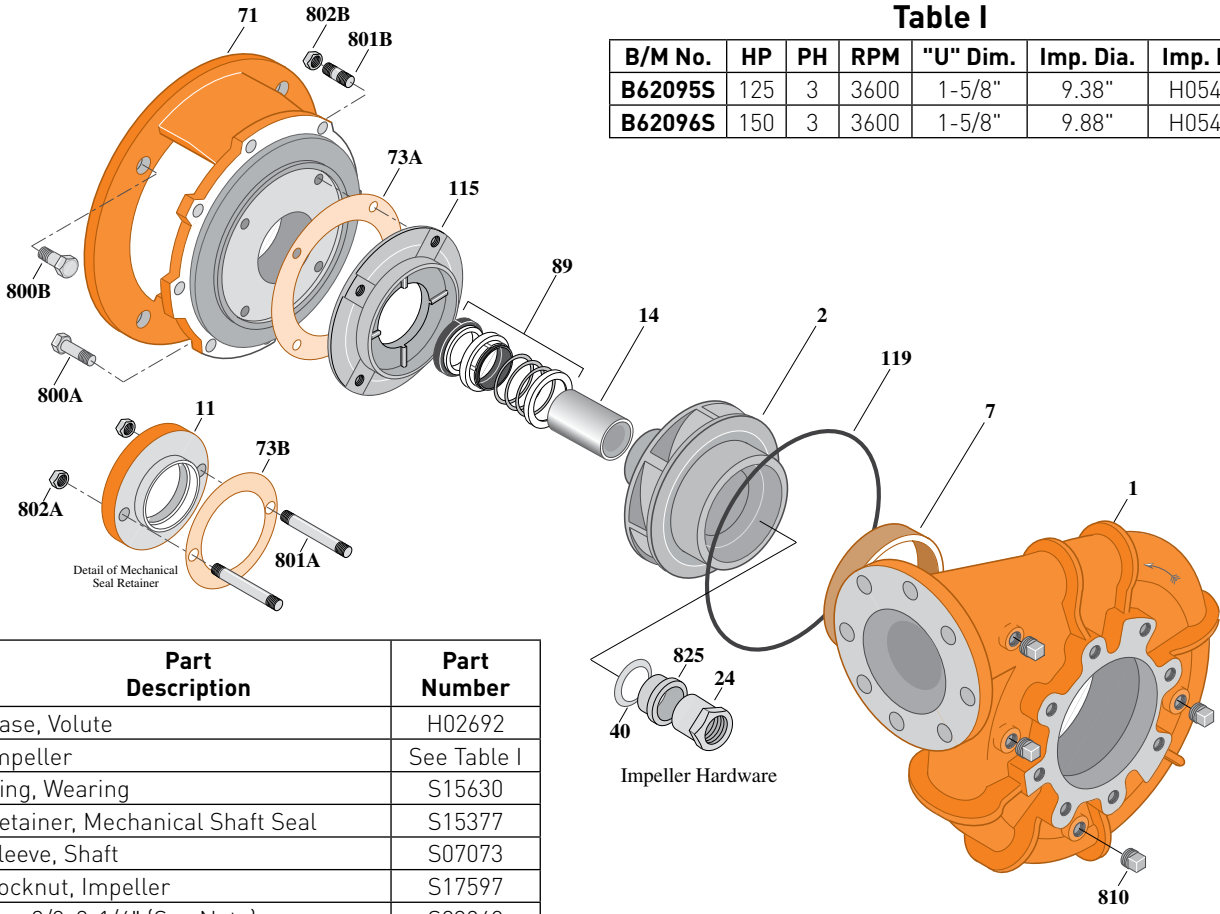
Flanged Case, Mechanical Shaft Seal Construction

ELECTRIC MOTOR DRIVE

Section	CC
Page	320.12
Date	March 4, 2013
Supersedes 09/01/97	

Table I

B/M No.	HP	PH	RPM	"U" Dim.	Imp. Dia.	Imp. No.
B62095S	125	3	3600	1-5/8"	9.38"	H05492
B62096S	150	3	3600	1-5/8"	9.88"	H05493



Item No.	Part Description	Part Number
1	Case, Volute	H02692
2	Impeller	See Table I
7	Ring, Wearing	S15630
11	Retainer, Mechanical Shaft Seal	S15377
14	Sleeve, Shaft	S07073
24	Locknut, Impeller	S17597
32	Key, 3/8x2-1/4" [See Note]	S23940
40	Deflector	S19864
71	Bracket	See Table II
73A	Gasket, Balance Ring	S09943
73B	Gasket, Seal Retainer	S15078
89	Seal, Mechanical Shaft	S32016
115	Ring, Balance	S12334
119	O-Ring	S13760
800A	Capscrew, 1/2-13x1-1/4" [8 Req.]	S26914
800B	Capscrew, 5/8-11x1-3/4" [4 Req.]	S27001
801A	Stud, 3/8-16x2-1/2" [2 Req.]	S04438
801B	Stud, 3/8-16x1-1/2" [4 Req.]	S23995
802A	Nut, Hex 3/8-16 [2 Req.]	S23343
802B	Nut, Hex 3/8-16 [4 Req.]	S23103
810	Plug, Pipe 1/2" NPT [4 Req.]	S23717
825	Sleeve, Impeller Locknut	S19865
•	Plug, Pipe 1/8" NPT (In Bracket)	S23714

• Not illustrated.

Table II

HP	PH	Bracket No.	"AK" Fit	"U" Dim.	Motor Frame
125	3	L06315	12-1/2"	1-5/8"	404TC
150	3	L06315	12-1/2"	1-5/8"	405TC

NOTE 1: For an explanation of the tabulated material found on this page and for impeller key location, refer to **Supplement A** located at the beginning of this section.

NOTE 2: For seal flush line details, see **Supplement D**.



BERKELEY® B5EPBMS

Silicon Bronze Impeller

Flanged Case, Mechanical Shaft Seal Construction

ELECTRIC MOTOR DRIVE

Section	CC
Page	320.20
Date	March 4, 2013
Supersedes 09/01/97	

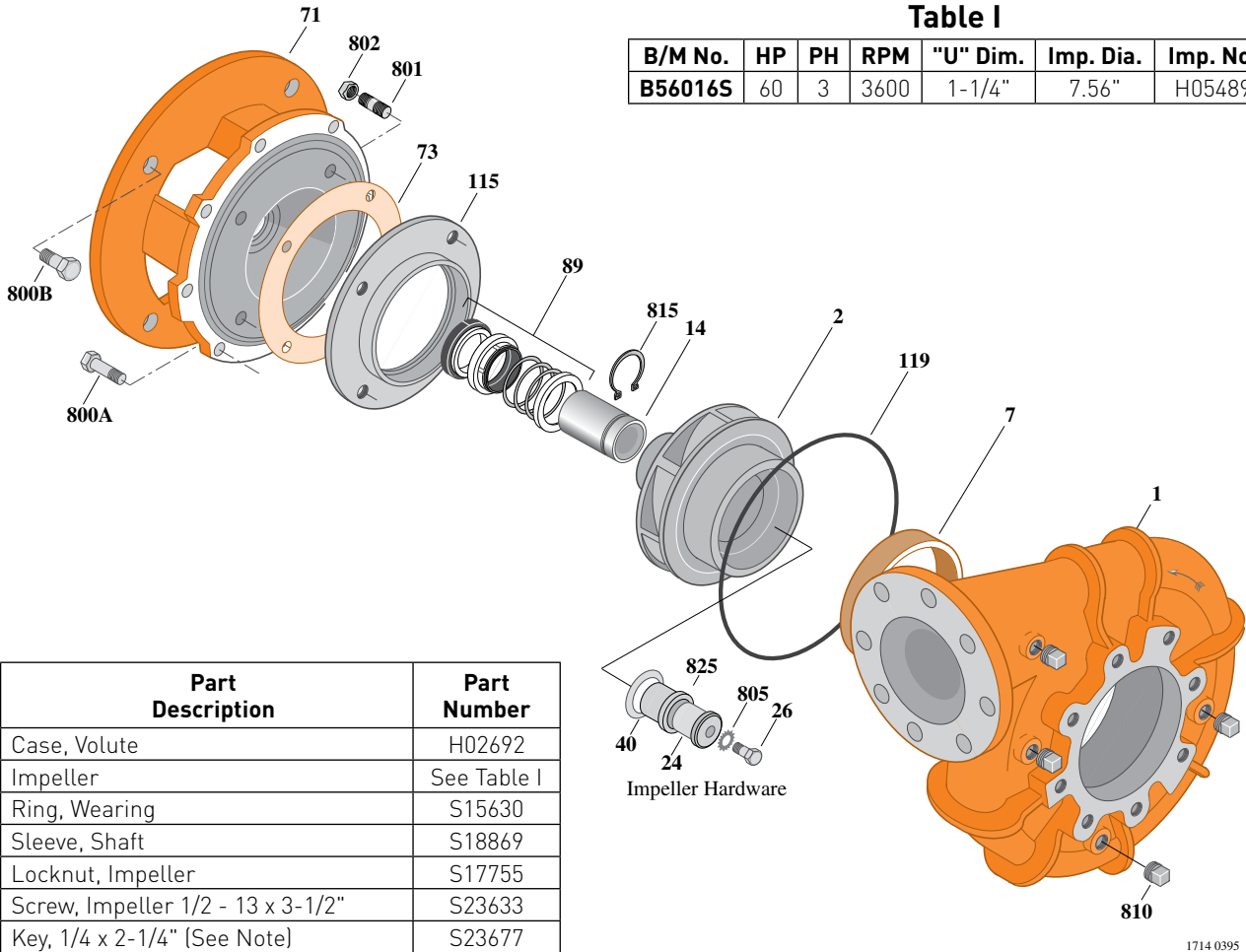


Table I

B/M No.	HP	PH	RPM	"U" Dim.	Imp. Dia.	Imp. No.
B56016S	60	3	3600	1-1/4"	7.56"	H05489

Item No.	Part Description	Part Number
1	Case, Volute	H02692
2	Impeller	See Table I
7	Ring, Wearing	S15630
14	Sleeve, Shaft	S18869
24	Locknut, Impeller	S17755
26	Screw, Impeller 1/2 - 13 x 3-1/2"	S23633
32	Key, 1/4 x 2-1/4" (See Note)	S23677
40	Deflector	S19864
71	Bracket	See Table II
73	Gasket, Balance Ring	S09943
89	Seal, Mechanical Shaft	S32015
115	Ring, Balance	S19109
119	O-Ring	S13760
800A	Capscrew, 1/2 - 13 x 1-1/4" (8 Req.)	S26914
800B	Capscrew, 5/8 - 11 x 1-1/2" (4 Req.)	S26999
801	Stud, 3/8 - 16 x 1-1/2" (4 Req.)	S23995
802	Nut, 3/8 - 16 (4 Req.)	S23103
805	Washer, Lock	S23038
810	Plug, Pipe 1/2" NPT (4 Req.)	S23717
815	Ring, Retaining	S16767
825	Sleeve, Impeller	S19865
•	Plug, Pipe 1/8" NPT (In Bracket)	S23714

Table II

HP	PH	Bracket No.	"AK" Fit	"U" Dim.	Motor Frame
60	3	L04628	12-1/2"	1-1/4"	326JM

NOTE 1: For an explanation of the tabulated material found on this page and for impeller key location, refer to **Supplement A** located at the beginning of this section.

NOTE 2: For seal flush line details, see **Supplement D**.

• Not illustrated.



BERKELEY® B5WP

Bronze Impeller

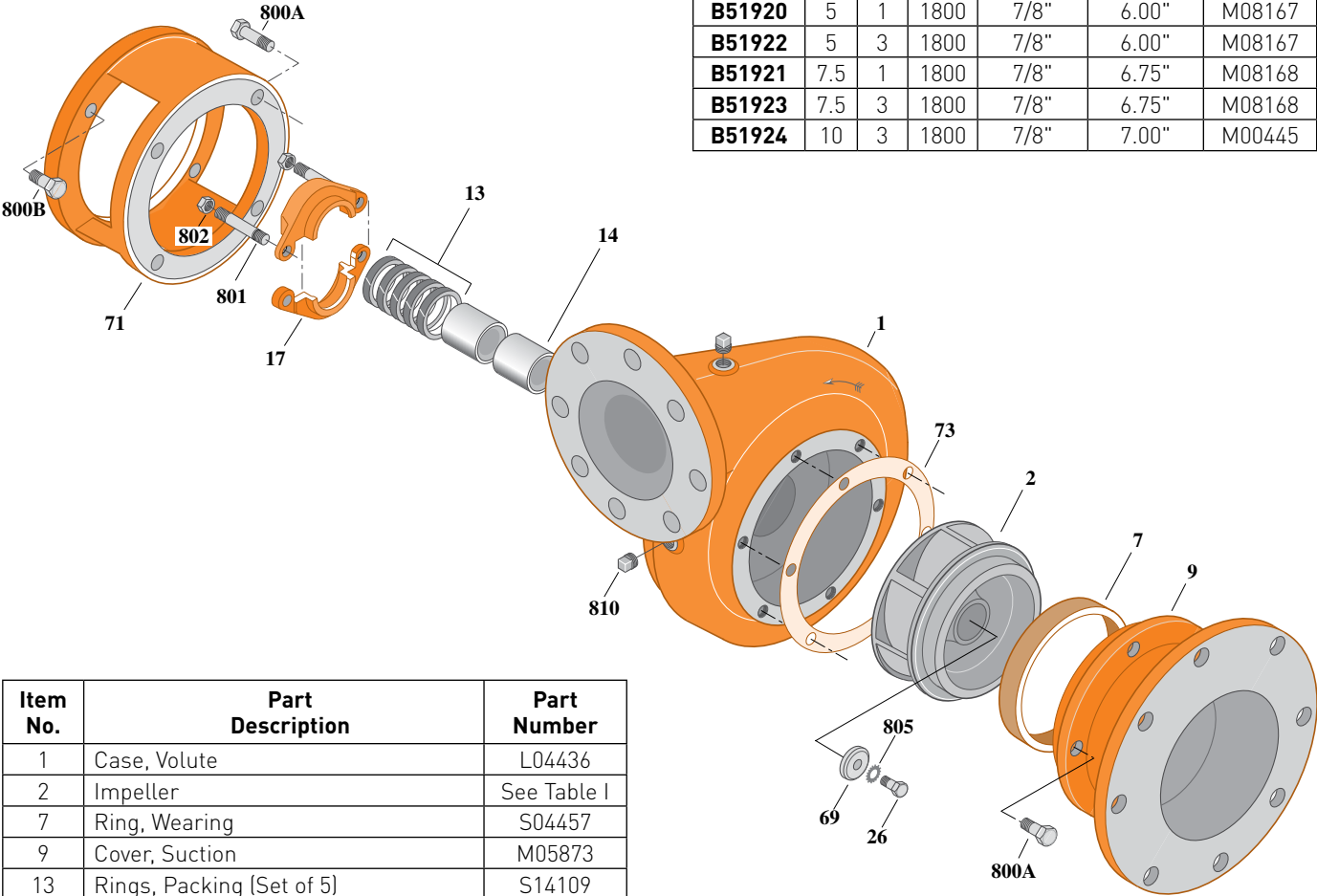
Flanged Case, Packing Construction

ELECTRIC MOTOR DRIVE

Section	CC
Page	330.1
Date	March 4, 2013
Supersedes 06/01/95	

Table I

B/M No.	HP	PH	RPM	"U" Dim.	Imp. Dia.	Imp. No.
B51920	5	1	1800	7/8"	6.00"	M08167
B51922	5	3	1800	7/8"	6.00"	M08167
B51921	7.5	1	1800	7/8"	6.75"	M08168
B51923	7.5	3	1800	7/8"	6.75"	M08168
B51924	10	3	1800	7/8"	7.00"	M00445



1798 0595

Item No.	Part Description	Part Number
1	Case, Volute	L04436
2	Impeller	See Table I
7	Ring, Wearing	S04457
9	Cover, Suction	M05873
13	Rings, Packing (Set of 5)	S14109
14	Sleeve, Shaft (2 Req.)	S00619
17	Gland, Packing	S00393
26	Screw, Impeller 3/8 - 16 x 1"	S23566
32	Key, 3/16 x 1-1/4" (See Note)	S34383
69	Washer, Impeller	S06314
71	Bracket	See Table II
73	Gasket, Suction Cover	S01559
800A	Capscrew, 3/8 - 16 x 1" (10 Req.)	S26826
800B	Capscrew, 1/2 - 13 x 1-1/4" (4 Req.)	S26914
801	Stud, 3/8 - 16 x 3-1/4" (2 Req.)	S04440
802	Nut, Hex 3/8 - 16 (2 Req.)	S23343
805	Washer, Lock	S23036
810A	Plug, Pipe 1/4 NPT (4 Req.)	S23715
•	Plug, Pipe 1/2 NPT (Not Illustrated) (On Suction Cover)	S23717

Table II

HP	PH	Bracket No.	"AK" Fit	"U" Dim.	Motor Frame
5	1	M00631	8-1/2"	7/8"	213TC
5	3	M00631	8-1/2"	7/8"	184TC
7.5	1	M00631	8-1/2"	7/8"	215TC
7.5	3	M00631	8-1/2"	7/8"	213TC
10	3	M00631	8-1/2"	7/8"	215TC

NOTE: For an explanation of the tabulated material found on this page and for impeller key location, refer to **Supplement A** located at the beginning of this section.



BERKELEY® B5WPS

Bronze Impeller

Flanged Case, Mechanical Shaft Seal Construction

ELECTRIC MOTOR DRIVE

Section	CC
Page	330.2
Date	March 4, 2013
Supersedes 06/01/95	

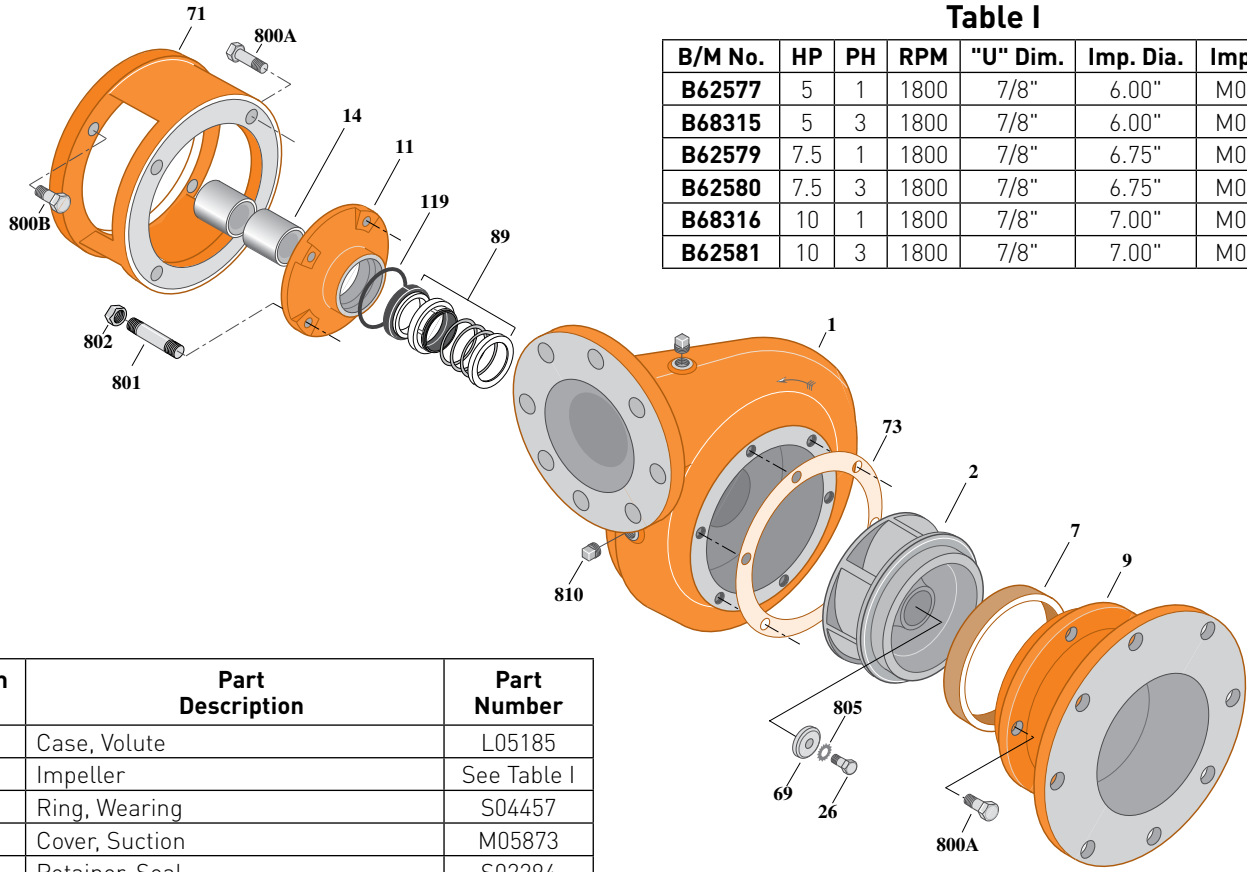


Table I

B/M No.	HP	PH	RPM	"U" Dim.	Imp. Dia.	Imp. No.
B62577	5	1	1800	7/8"	6.00"	M08167
B68315	5	3	1800	7/8"	6.00"	M08167
B62579	7.5	1	1800	7/8"	6.75"	M08168
B62580	7.5	3	1800	7/8"	6.75"	M08168
B68316	10	1	1800	7/8"	7.00"	M00445
B62581	10	3	1800	7/8"	7.00"	M00445

Item No.	Part Description	Part Number
1	Case, Volute	L05185
2	Impeller	See Table I
7	Ring, Wearing	S04457
9	Cover, Suction	M05873
11	Retainer, Seal	S02294
14	Sleeve, Shaft (2 Req.)	S00619
26	Screw, Impeller 3/8-16x1"	S23566
32	Key, 3/16x1-1/4" (See Note)	S34383
69	Washer, Lock	S06314
71	Bracket	See Table II
73	Gasket, Suction Cover	S01559
89	Seal, Mechanical Shaft	S32013
119	O-Ring	S14804
800A	Capscrew, 3/8-16x1" (10 Req.)	S26826
800B	Capscrew, 1/2-13x1-1/4" (4 Req.)	S26914
801	Stud, 3/8-16x3" (4 Req.)	S04439
802	Nut, Hex 3/8-16 (4 Req.)	S23343
805	Washer, Lock	S23036
810	Plug, Pipe 1/4 NPT (5 Req.)	S23715
820	Connector, Comp. Fitting	S24013
821	Elbow, Tubing	S24129
822	Tubing, Copper	S20677
•	Plug, Pipe 1/2 NPT (On Suction Cover) (Not Illustrated)	S23717

Table II

HP	PH	Bracket No.	"AK" Fit	"U" Dim.	Motor Frame
5	1	M00631	8-1/2"	7/8"	213TC
5	3	M00631	8-1/2"	7/8"	184TC
7.5	1	M00631	8-1/2"	7/8"	215TC
7.5	3	M00631	8-1/2"	7/8"	213TC
10	1	M00631	8-1/2"	7/8"	215TC
10	3	M00631	8-1/2"	7/8"	215TC

NOTE: For an explanation of the tabulated material found on this page and for impeller key location, refer to **Supplement A** located at the beginning of this section.



BERKELEY® B5WP

Silicon Bronze Impeller

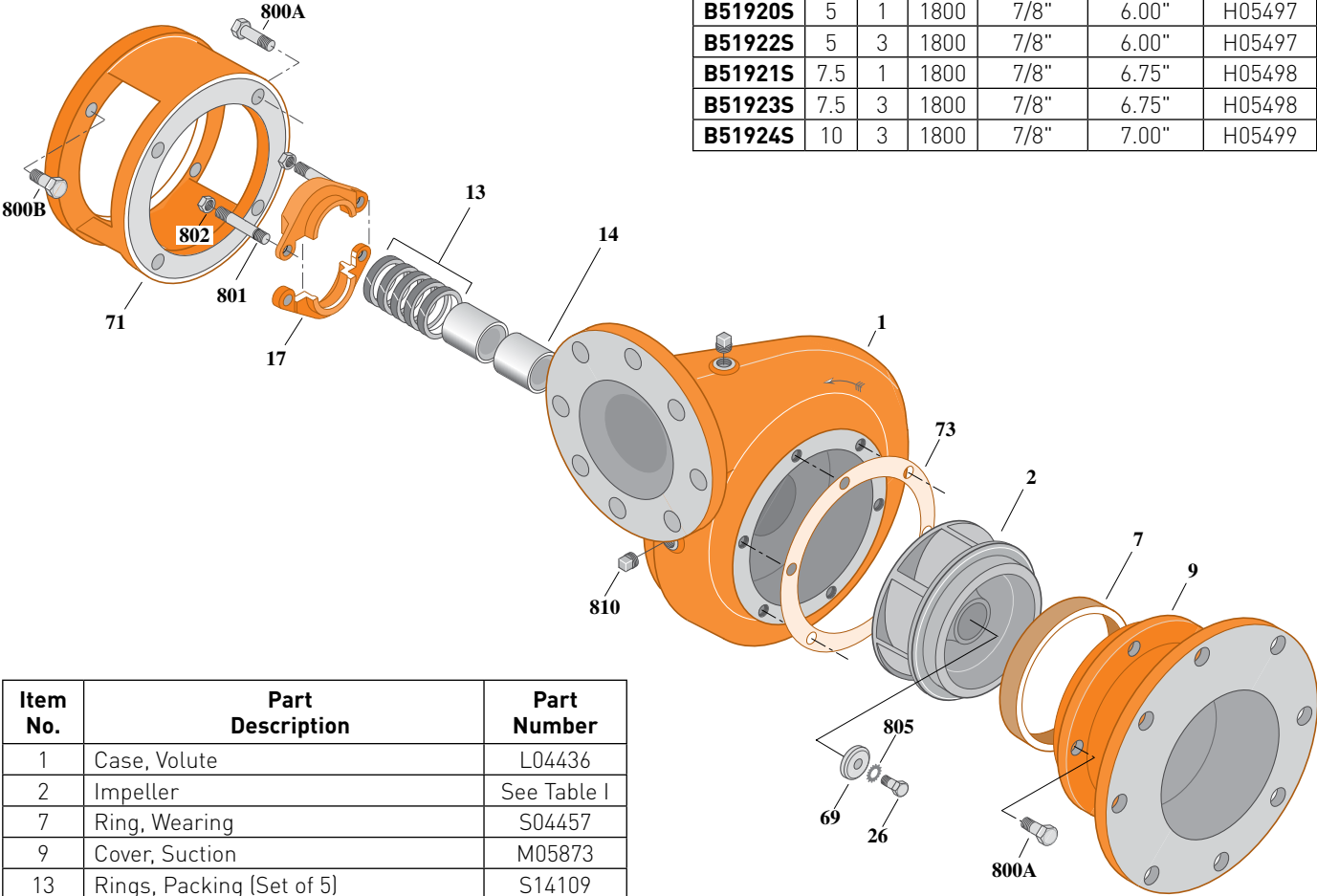
Flanged Case, Packing Construction

ELECTRIC MOTOR DRIVE

Section	CC
Page	330.3
Date	March 4, 2013
Supersedes 09/01/95	

Table I

B/M No.	HP	PH	RPM	"U" Dim.	Imp. Dia.	Imp. No.
B51920S	5	1	1800	7/8"	6.00"	H05497
B51922S	5	3	1800	7/8"	6.00"	H05497
B51921S	7.5	1	1800	7/8"	6.75"	H05498
B51923S	7.5	3	1800	7/8"	6.75"	H05498
B51924S	10	3	1800	7/8"	7.00"	H05499



1798 0595

Item No.	Part Description	Part Number
1	Case, Volute	L04436
2	Impeller	See Table I
7	Ring, Wearing	S04457
9	Cover, Suction	M05873
13	Rings, Packing (Set of 5)	S14109
14	Sleeve, Shaft (2 Req.)	S00619
17	Gland, Packing	S00393
26	Screw, Impeller 3/8 - 16 x 1"	S23566
32	Key, 3/16 x 1-1/4" (See Note)	S34383
69	Washer, Impeller	S06314
71	Bracket	See Table II
73	Gasket, Suction Cover	S01559
800A	Capscrew, 3/8 - 16 x 1" (10 Req.)	S26826
800B	Capscrew, 1/2 - 13 x 1-1/4" (4 Req.)	S26914
801	Stud, 3/8 - 16 x 3-1/4" (2 Req.)	S04440
802	Nut, Hex 3/8 - 16 (2 Req.)	S23343
805	Washer, Lock	S23036
810A	Plug, Pipe 1/4 NPT (4 Req.)	S23715
•	Plug, Pipe 1/2 NPT (Not Illustrated) (On Suction Cover)	S23717

Table II

HP	PH	Bracket No.	"AK" Fit	"U" Dim.	Motor Frame
5	1	M00631	8-1/2"	7/8"	213TC
5	3	M00631	8-1/2"	7/8"	184TC
7.5	1	M00631	8-1/2"	7/8"	215TC
7.5	3	M00631	8-1/2"	7/8"	213TC
10	3	M00631	8-1/2"	7/8"	215TC

NOTE: For an explanation of the tabulated material found on this page and for impeller key location, refer to **Supplement A** located at the beginning of this section.



BERKELEY® B5WPS Silicon Bronze Impeller

Flanged Case, Mechanical Shaft Seal Construction

ELECTRIC MOTOR DRIVE

Section	CC
Page	330.4
Date	March 4, 2013
Supersedes 09/01/95	

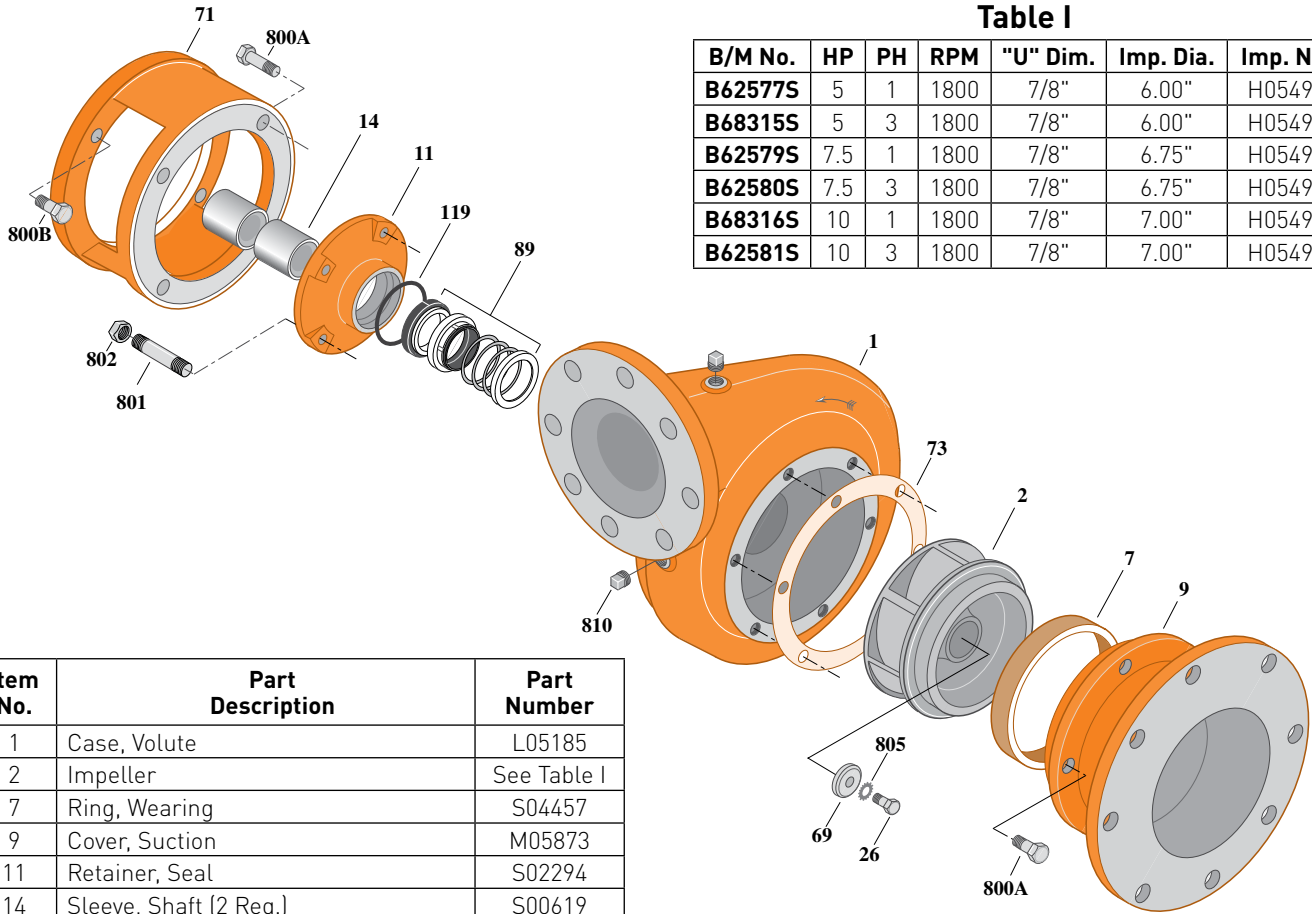


Table I

B/M No.	HP	PH	RPM	"U" Dim.	Imp. Dia.	Imp. No.
B62577S	5	1	1800	7/8"	6.00"	H05497
B68315S	5	3	1800	7/8"	6.00"	H05497
B62579S	7.5	1	1800	7/8"	6.75"	H05498
B62580S	7.5	3	1800	7/8"	6.75"	H05498
B68316S	10	1	1800	7/8"	7.00"	H05499
B62581S	10	3	1800	7/8"	7.00"	H05499

Item No.	Part Description	Part Number
1	Case, Volute	L05185
2	Impeller	See Table I
7	Ring, Wearing	S04457
9	Cover, Suction	M05873
11	Retainer, Seal	S02294
14	Sleeve, Shaft (2 Req.)	S00619
26	Screw, Impeller 3/8-16x1"	S23566
32	Key, 3/16x1-1/4" (See Note)	S34383
69	Washer, Lock	S06314
71	Bracket	See Table II
73	Gasket, Suction Cover	S01559
89	Seal, Mechanical Shaft	S32013
119	O-Ring	S14804
800A	Capscrew, 3/8-16x1" (10 Req.)	S26826
800B	Capscrew, 1/2-13x1-1/4" (4 Req.)	S26914
801	Stud, 3/8-16x3" (4 Req.)	S04439
802	Nut, Hex 3/8-16 (4 Req.)	S23343
805	Washer, Lock	S23036
810	Plug, Pipe 1/4 NPT (5 Req.)	S23715
820	Connector, Comp. Fitting	S24013
821	Elbow, Tubing	S24129
822	Tubing, Copper	S20677
•	Plug, Pipe 1/2 NPT (On Suction Cover) (Not Illustrated)	S23717

Table II

HP	PH	Bracket No.	"AK" Fit	"U" Dim.	Motor Frame
5	1	M00631	8-1/2"	7/8"	213TC
5	3	M00631	8-1/2"	7/8"	184TC
7.5	1	M00631	8-1/2"	7/8"	215TC
7.5	3	M00631	8-1/2"	7/8"	213TC
10	1	M00631	8-1/2"	7/8"	215TC
10	3	M00631	8-1/2"	7/8"	215TC

NOTE: For an explanation of the tabulated material found on this page and for impeller key location, refer to **Supplement A** located at the beginning of this section.



BERKELEY® B5WP

Silicon Bronze Impeller

Flanged Case, Packing Construction

ELECTRIC MOTOR DRIVE

Section	CC
Page	330.5
Date	March 4, 2013
Supersedes 01/01/04	

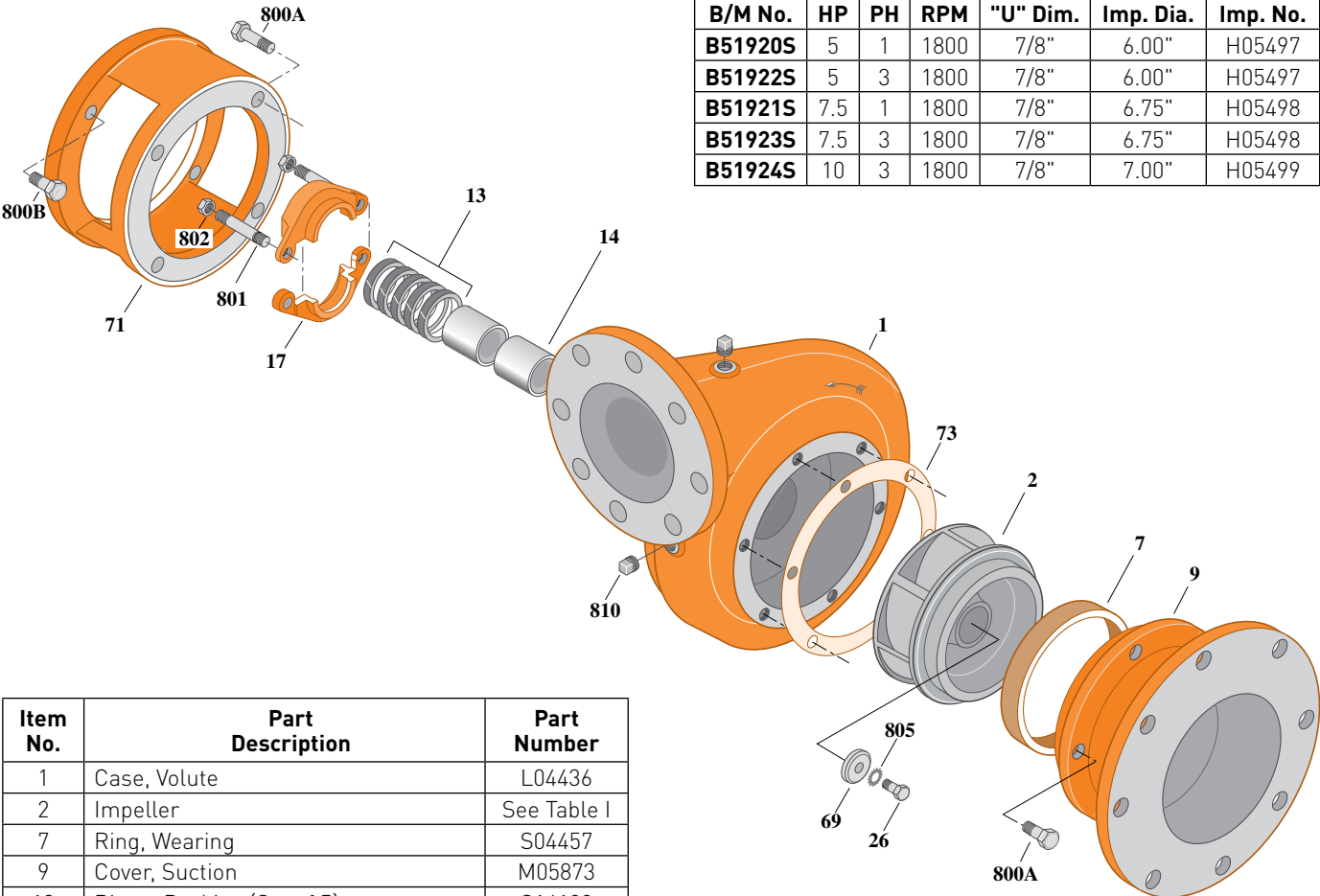


Table I

B/M No.	HP	PH	RPM	"U" Dim.	Imp. Dia.	Imp. No.
B51920S	5	1	1800	7/8"	6.00"	H05497
B51922S	5	3	1800	7/8"	6.00"	H05497
B51921S	7.5	1	1800	7/8"	6.75"	H05498
B51923S	7.5	3	1800	7/8"	6.75"	H05498
B51924S	10	3	1800	7/8"	7.00"	H05499

Item No.	Part Description	Part Number
1	Case, Volute	L04436
2	Impeller	See Table I
7	Ring, Wearing	S04457
9	Cover, Suction	M05873
13	Rings, Packing [Set of 5]	S14109
14	Sleeve, Shaft [2 Req.]	S00619
17	Gland, Packing	B82469
26	Screw, Impeller 3/8 - 16 x 1"	S23566
32	Key, 3/16 x 1-1/4" [See Note]	S34383
69	Washer, Impeller	S06314
71	Bracket	See Table II
73	Gasket, Suction Cover	S01559
800A	Capscrew, 3/8 - 16 x 1" [10 Req.]	S26826
800B	Capscrew, 1/2 - 13 x 1-1/4" [4 Req.]	S26914
801	Stud, 3/8 - 16 x 3-1/4" [2 Req.]	S04440
802	Nut, Hex 3/8 - 16 [2 Req.]	S23343
805	Washer, Lock	S23036
810	Plug, Pipe 1/4" NPT [4 Req.]	S23715
•	Plug, Pipe 1/2" NPT [Suction Cover]	S23717

• Not illustrated.

Table II

HP	PH	Bracket No.	"AK" Fit	"U" Dim.	Motor Frame
5	1	M00631	8-1/2"	7/8"	213TC
5	3	M00631	8-1/2"	7/8"	184TC
7.5	1	M00631	8-1/2"	7/8"	215TC
7.5	3	M00631	8-1/2"	7/8"	213TC
10	3	M00631	8-1/2"	7/8"	215TC

NOTE: For an explanation of the tabulated material found on this page and for impeller key location, refer to **Supplement A** located at the beginning of this section.



BERKELEY® B5WPS Silicon Bronze Impeller

Flanged Case, Mechanical Shaft Seal Construction

ELECTRIC MOTOR DRIVE

Section	CC
Page	330.6
Date	March 4, 2013
Supersedes 01/01/04	

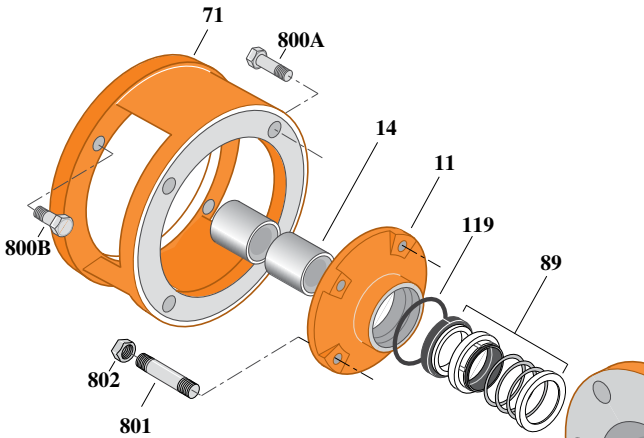
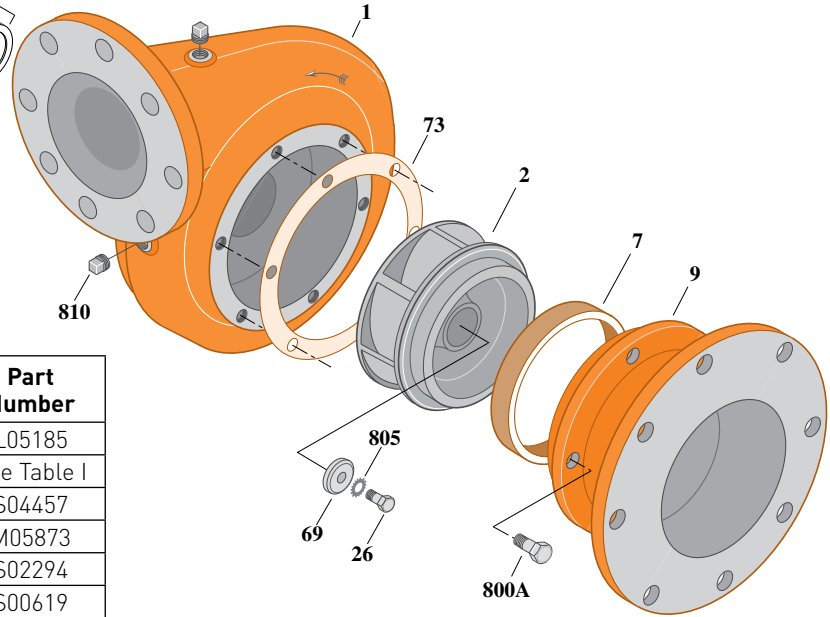


Table I

B/M No.	HP	PH	RPM	"U" Dim.	Imp. Dia.	Imp. No.
B62577S	5	1	1800	7/8"	6.00"	H05497
B68315S	5	3	1800	7/8"	6.00"	H05497
B62579S	7.5	1	1800	7/8"	6.75"	H05498
B62580S	7.5	3	1800	7/8"	6.75"	H05498
B68316S	10	1	1800	7/8"	7.00"	H05499
B62581S	10	3	1800	7/8"	7.00"	H05499



1717 0395

Item No.	Part Description	Part Number
1	Case, Volute	L05185
2	Impeller	See Table I
7	Ring, Wearing	S04457
9	Cover, Suction	M05873
11	Retainer, Seal	S02294
14	Sleeve, Shaft [2 Req.]	S00619
26	Screw, Impeller 3/8-16x1"	S23566
32	Key, 3/16x1-1/4" [See Note]	S34383
69	Washer, Lock	S06314
71	Bracket	See Table II
73	Gasket, Suction Cover	S01559
89	Seal, Mechanical Shaft	S32013
119	O-Ring	S14804
800A	Capscrew, 3/8-16x1" (10 Req.)	S26826
800B	Capscrew, 1/2-13x1-1/4" (4 Req.)	S26914
801	Stud, 3/8-16x3" (4 Req.)	S04439
802	Nut, Hex 3/8-16 (4 Req.)	S23343
805	Washer, Lock	S23036
810	Plug, Pipe 1/4" NPT (4 Req.)	S23715
•	Plug, Pipe 1/2" NPT (Suction Cover)	S23717
•	Plug, Pipe 1/8" NPT (Volute)	S23714

• Not illustrated.

Table II

HP	PH	Bracket No.	"AK" Fit	"U" Dim.	Motor Frame
5	1	M00631	8-1/2"	7/8"	213TC
5	3	M00631	8-1/2"	7/8"	184TC
7.5	1	M00631	8-1/2"	7/8"	215TC
7.5	3	M00631	8-1/2"	7/8"	213TC
10	1	M00631	8-1/2"	7/8"	215TC
10	3	M00631	8-1/2"	7/8"	215TC

NOTE 1: For an explanation of the tabulated material found on this page and for impeller key location, refer to **Supplement A** located at the beginning of this section.

NOTE 2: For seal flush line details, see **Supplement D**.



BERKELEY® B5EXPBH

Cast Iron Impeller

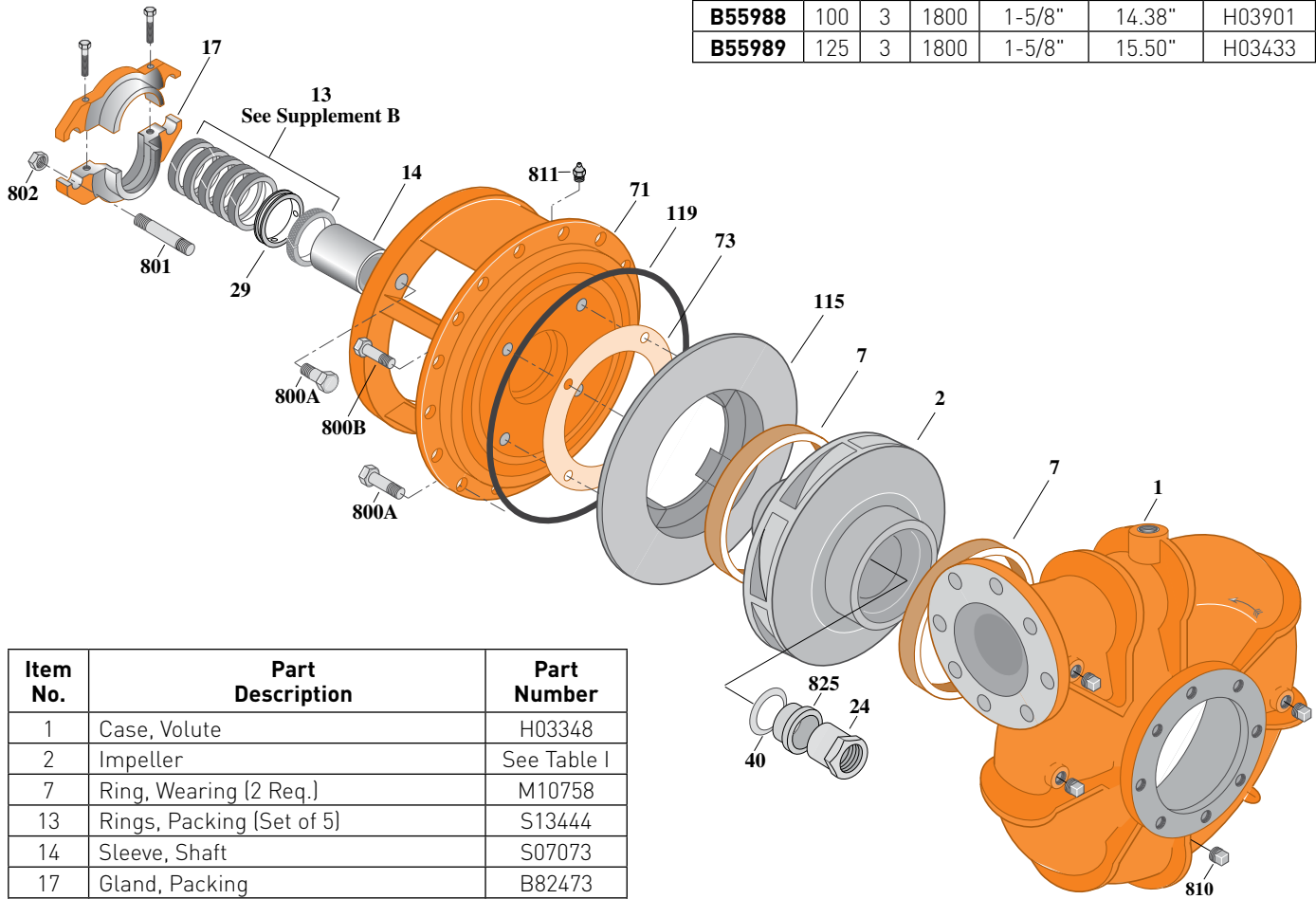
Flanged Case, Packing Construction

ELECTRIC MOTOR DRIVE

Section	CC
Page	340.1
Date	March 4, 2013
Supersedes 01/01/04	

Table I

B/M No.	HP	PH	RPM	"U" Dim.	Imp. Dia.	Imp. No.
B55988	100	3	1800	1-5/8"	14.38"	H03901
B55989	125	3	1800	1-5/8"	15.50"	H03433



Item No.	Part Description	Part Number
1	Case, Volute	H03348
2	Impeller	See Table I
7	Ring, Wearing (2 Req.)	M10758
13	Rings, Packing (Set of 5)	S13444
14	Sleeve, Shaft	S07073
17	Gland, Packing	B82473
29	Ring, Lantern	S19198
32	Key, 3/8 x 2-1/4" (See Note)	S23940
40	Deflector	S19864
71	Bracket	See Table II
73	Gasket, Balance Ring	S09943
115	Ring, Balance	M06728
119	O-Ring	S14444
800A	Capscrew, 3/8 - 16 x 7/8" (4 Req.)	S26825
800B	Capscrew, 5/8 - 11 x 1-3/4" (20 Req.)	S27001
801	Stud, 1/2 - 13 x 3-3/4" (2 Req.)	S08305
802A	Nut, Hex 1/2 - 13 x 7/16" (2 Req.)	S23347
802B	Nut, Lock 1-1/4 - 12	S19863
810	Plug, Pipe 1/2 NPT (4 Req.)	S23717
811	Fitting, Grease	S23700
825	Sleeve, Impeller Locknut	S19865

Table II

HP	PH	Bracket No.	"AK" Fit	"U" Dim.	Motor Frame
100	3	H03684	12-1/2"	1-5/8"	404TC
125	3	H03684	12-1/2"	1-5/8"	405TC

NOTE: For an explanation of the tabulated material found on this page and for impeller key location, refer to **Supplement A** located at the beginning of this section.



BERKELEY® B6ZPBHH

Cast Iron Impeller

Flanged Case, Packing Construction

ELECTRIC MOTOR DRIVE

Section	CC
Page	348.1
Date	March 4, 2013
Supersedes 10/14/10	

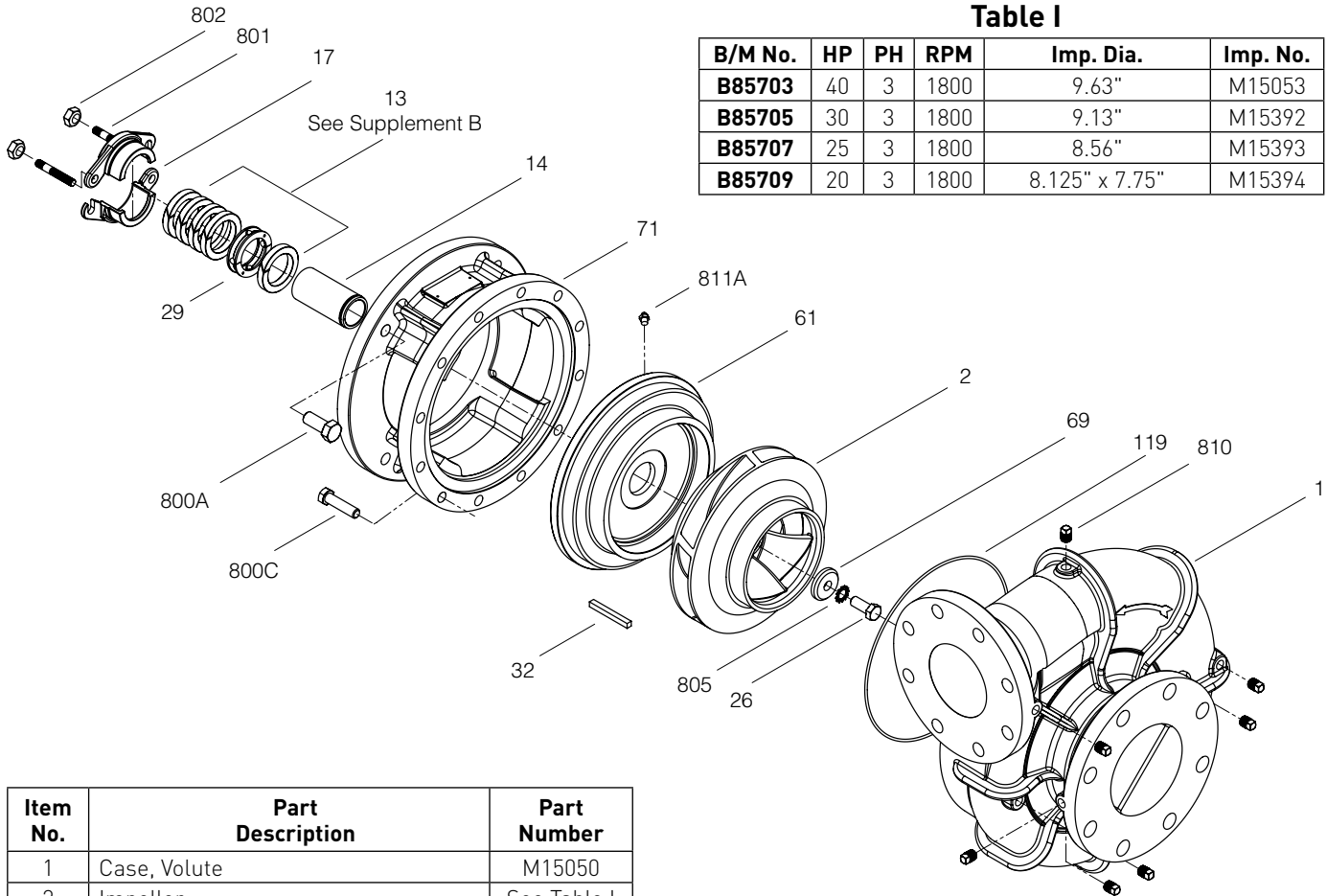


Table I

B/M No.	HP	PH	RPM	Imp. Dia.	Imp. No.
B85703	40	3	1800	9.63"	M15053
B85705	30	3	1800	9.13"	M15392
B85707	25	3	1800	8.56"	M15393
B85709	20	3	1800	8.125" x 7.75"	M15394

Item No.	Part Description	Part Number
1	Case, Volute	M15050
2	Impeller	See Table I
13	Ring, Packing (Set of 4)	S13435
14	Sleeve, Shaft (Note 2)	B85741
17	Gland, Packing	B82740
26	Screw, Impeller	S23621
29	Ring, Lantern	S19200
32	Key, 1/4" x 2-1/4"	S23677
61	Plate, Seal	M15047
69	Washer, Impeller	S06319
71	Bracket	See Table II
119	O-Ring	M15099
800A	Screw, 1/2-13NC x 1-1/2" LG CRS (4 rqd)	S26916
800C	Screw, 1/2-13NC x 2" LG CRS (12 rqd)	S26920
801	Stud, 3/8-16NC x 2-1/2" LG 416SS (2 rqd)	S04438
802	Nut, Hex, Lock 3/8-16 SS (2 rqd)	M13771
805	Washer, Lock	S23038
810	Plug, Pipe	S23715
811A	Fitting, Grease	S23700

Table II

HP	PH	Bracket No.	"AK" Fit	"U" Dim.	Motor Frame
40	3	M15045	12.50"	1-1/4"	324JP
30	3	M15050	12.50"	1-1/4"	286JP
25	3	M15050	12.50"	1-1/4"	284JP
20	3	M15044	8.50"	1-1/4"	256JP

NOTE 1: Impeller kit **B85754** includes items 26, 32, 69, 119, 805.

NOTE 2: Shaft sleeve kit **B85741** includes item 14, adhesive and instruction sheet.



BERKELEY® B6ZPBHHS

Cast Iron Impeller

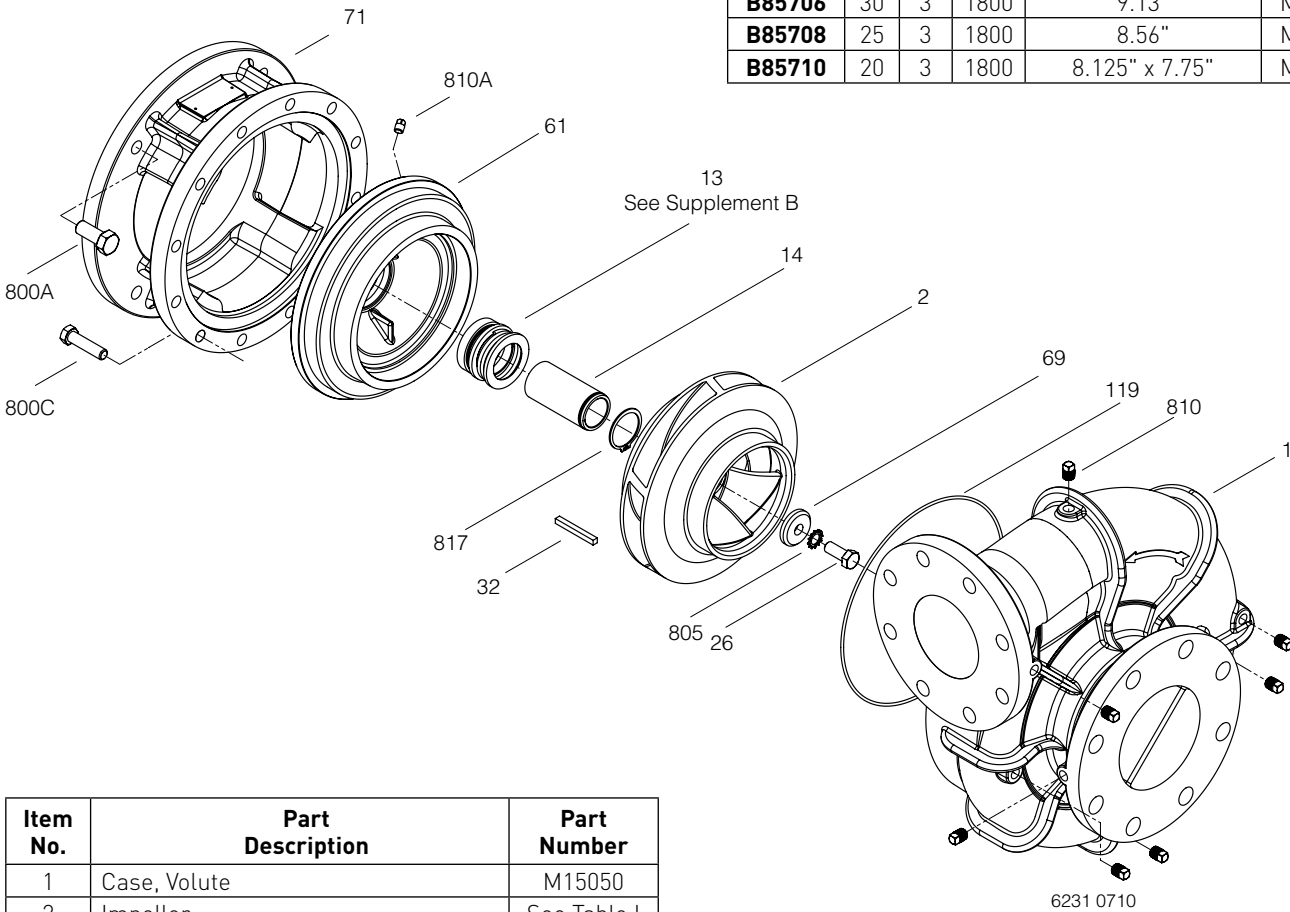
Flanged Case, Mechanical Shaft Seal Construction

ELECTRIC MOTOR DRIVE

Section	CC
Page	348.2
Date	March 4, 2013
Supersedes 10/14/10	

Table I

B/M No.	HP	PH	RPM	Imp. Dia.	Imp. No.
B85704	40	3	1800	9.63"	M15053
B85706	30	3	1800	9.13"	M15392
B85708	25	3	1800	8.56"	M15393
B85710	20	3	1800	8.125" x 7.75"	M15394



Item No.	Part Description	Part Number
1	Case, Volute	M15050
2	Impeller	See Table I
13	Seal, Shaft	S32015
14	Sleeve, Shaft (Note 2)	B85741
26	Screw, Impeller	S23621
32	Key, Impeller	S23677
61	Plate, Seal	M15046
69	Washer, Impeller	S06319
71	Bracket	See Table II
119	O-Ring	M15099
800A	Screw, 1/2-13NC x 1-1/2 LG CRS (4 rqd)	S26916
800C	Screw, 1/2-13NC x 2 LG CRS (12 rqd)	S26920
805	Washer, Lock	S23038
810	Plug, Pipe	S23715
810A	Plug, Pipe	U78-56ZPS
817	Ring, Retaining	S16767

Table II

HP	PH	Bracket No.	"AK" Fit	"U" Dim.	Motor Frame
40	3	M15045	12.50"	1-1/4"	324JP
30	3	M15045	12.50"	1-1/4"	286JP
25	3	M15045	12.50"	1-1/4"	284JP
20	3	M15044	8.50"	1-1/4"	256JP

NOTE 1: Impeller kit **B85754** includes items 26, 32, 69, 119, 805.

NOTE 2: Shaft sleeve kit **B85741** includes item 14, adhesive and instruction sheet.



BERKELEY® B6ZPL

Cast Iron Impeller

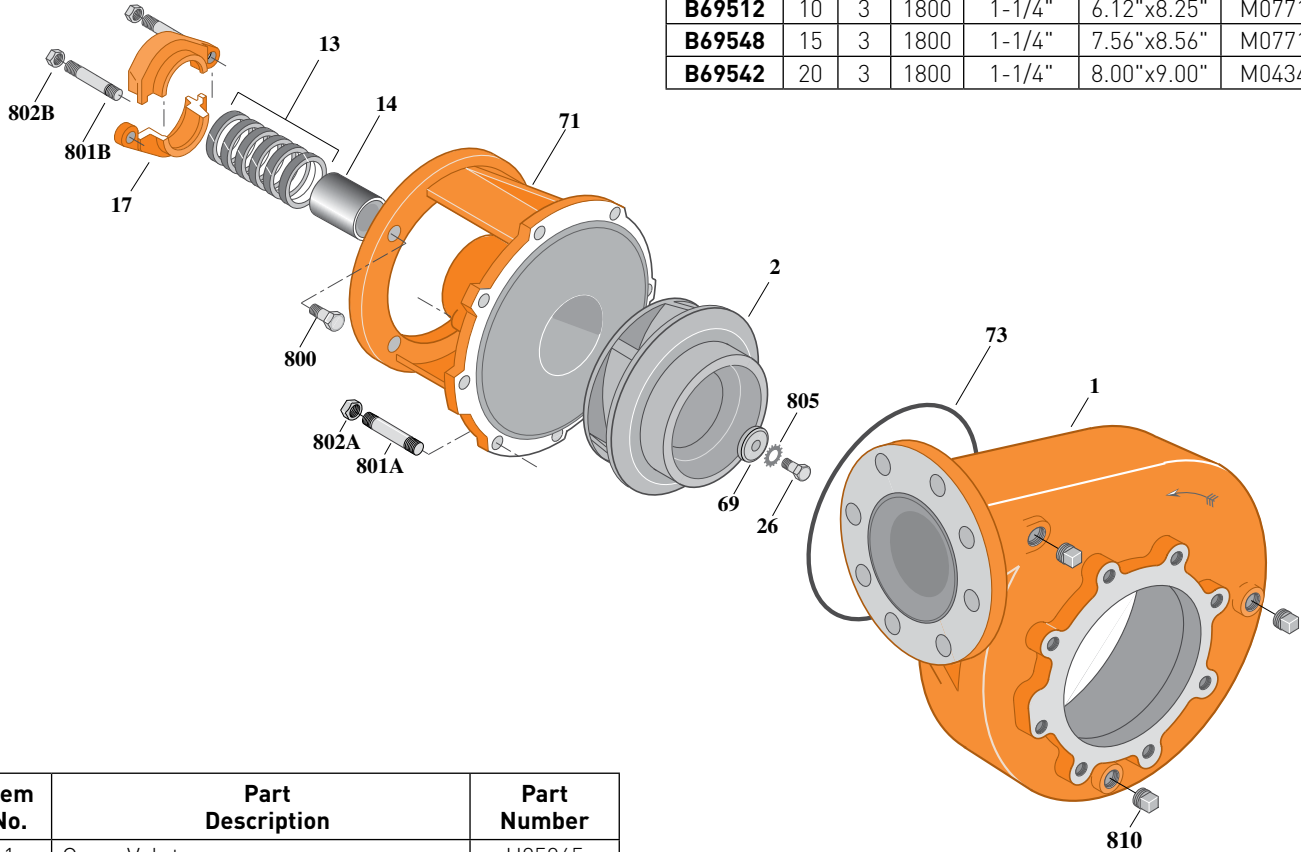
Flanged Case, Packing Construction

ELECTRIC MOTOR DRIVE

Section	CC
Page	350.1
Date	March 4, 2013
Supersedes 07/01/11	

Table I

B/M No.	HP	PH	RPM	"U" Dim.	Imp. Dia.	Imp. No.
B69509	10	1	1800	1-1/4"	6.12"x8.25"	M07718
B69512	10	3	1800	1-1/4"	6.12"x8.25"	M07718
B69548	15	3	1800	1-1/4"	7.56"x8.56"	M07719
B69542	20	3	1800	1-1/4"	8.00"x9.00"	M04348



1752 1210

Item No.	Part Description	Part Number
1	Case, Volute	H05065
2	Impeller	See Table I
13	Rings, Packing (Set of 6)	S13470
14	Sleeve, Shaft	S05149L
17	Gland, Packing	B82470
26	Screw, Impeller 1/2 - 13 x 3"	S23631
32	Key, 1/4 x 2-1/4" [See Note 1]	S23677
69	Washer, Impeller	S06319
71	Bracket	See Table II
73	O-Ring [See Note 2]	M14943
800	Capscrew, 1/2 - 13 x 1-1/2" [4 Req.]	S26916
801A	Stud, 3/8 - 16 x 1-3/8" [8 Req.]	S09942
801B	Stud, 3/8 - 16 x 4" [2 Req.]	S08303
802A	Nut, Hex 3/8 - 16 [8 Req.]	S23103
802B	Nut, Hex 3/8 - 16 [2 Req.]	S23343
805	Washer, Lock	S23038
810	Plug, Pipe 1/2 NPT [3 Req.]	S23717

Table II

HP	PH	Bracket No.	"AK" Fit	"U" Dim.	Motor Frame
10	1	L03827	8-1/2"	1-1/4"	215JP
10	3	L03827	8-1/2"	1-1/4"	215JP
15	3	L03827	8-1/2"	1-1/4"	254JP
20	3	L03827	8-1/2"	1-1/4"	256JP

NOTE 1: For an explanation of the tabulated material found on this page and for impeller key location, refer to **Supplement A** located at the beginning of this section.

NOTE 2: Also accepts gasket **S05126** as replacement for O-Ring. See **Supplement E** located at the beginning of this section.



BERKELEY® B6ZPLS

Cast Iron Impeller

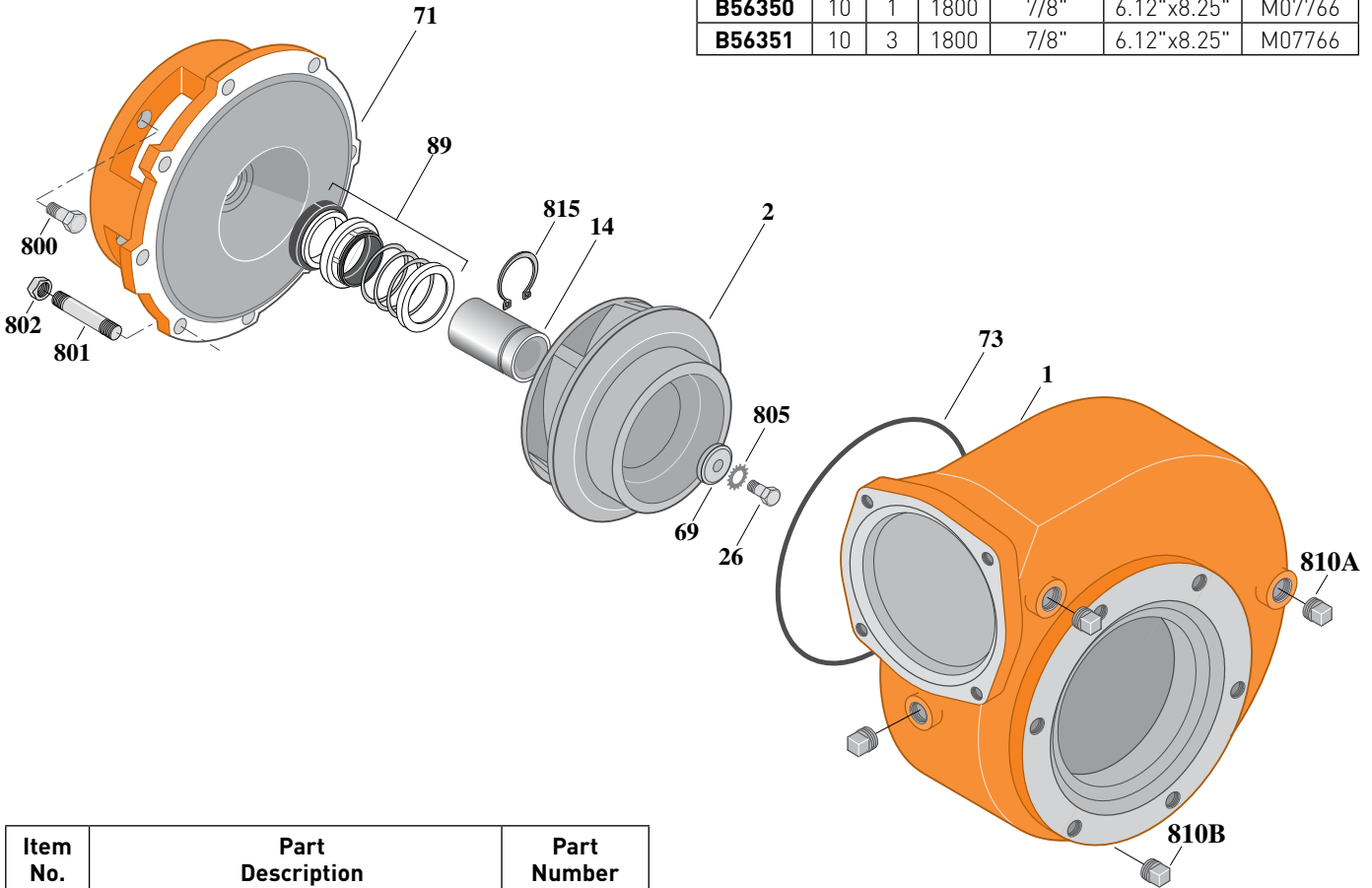
Special Flanged Case, Mechanical Shaft Seal Construction

ELECTRIC MOTOR DRIVE

Section	CC
Page	350.2.1
Date	March 4, 2013
Supersedes 07/01/11	

Table I

B/M No.	HP	PH	RPM	"U" Dim.	Imp. Dia.	Imp. No.
B56350	10	1	1800	7/8"	6.12"x8.25"	M07766
B56351	10	3	1800	7/8"	6.12"x8.25"	M07766



2480 1210

Item No.	Part Description	Part Number
1	Case, Volute	H01750
2	Impeller	See Table I
14	Sleeve, Shaft	S19310L
26	Screw, Impeller 3/8 - 16 x 2"	S23574
32	Key, 3/16 x 1-1/4" [See Note 1]	S34383
69	Washer, Impeller	S06314
71	Bracket	See Table II
73	O-Ring [See Note 2]	M14943
89	Seal, Mechanical Shaft	S32014
800	Capscrew, 1/2 - 13 x 1" [4 Req.]	S26912
801	Stud, 3/8 - 16 x 1-3/8" [8 Req.]	S23994
802	Nut, 3/8 - 16 [8 Req.]	S23103
805	Washer, Lock	S23036
810A	Plug, Pipe 1/2 NPT [3 Req.]	S23717
810B	Plug, Pipe 1/2 NPT Skt. Hd.	M11137
815	Ring, Retaining	S11207

Table II

HP	PH	Bracket No.	"AK" Fit	"U" Dim.	Motor Frame
10	1	L05331	8-1/2"	7/8"	215JM
10	3	L05331	8-1/2"	7/8"	215JM

NOTE 1: For an explanation of the tabulated material found on this page and for impeller key location, refer to **Supplement A** located at the beginning of this section.

NOTE 2: Also accepts gasket **S05126** as replacement for O-Ring. See **Supplement E** located at the beginning of this section.



BERKELEY® B6ZPLS

Cast Iron Impeller

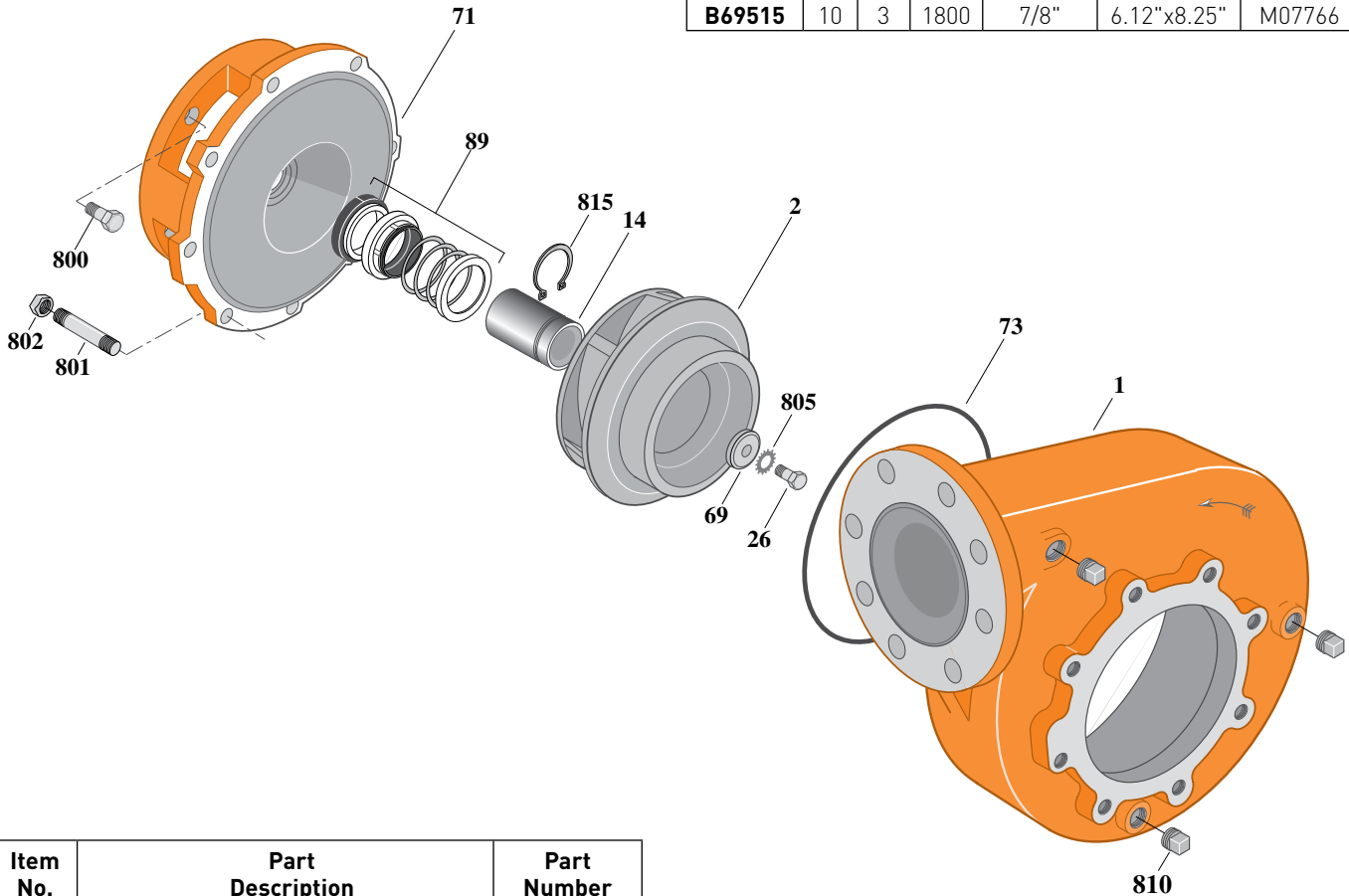
Flanged Case, Mechanical Shaft Seal Construction

ELECTRIC MOTOR DRIVE

Section	CC
Page	350.2
Date	March 4, 2013
Supersedes 07/01/11	

Table I

B/M No.	HP	PH	RPM	"U" Dim.	Imp. Dia.	Imp. No.
B69514	10	1	1800	7/8"	6.12"x8.25"	M07766
B69515	10	3	1800	7/8"	6.12"x8.25"	M07766



1601 1210

Item No.	Part Description	Part Number
1	Case, Volute	H05065
2	Impeller	See Table I
14	Sleeve, Shaft	S19310L
26	Screw, Impeller 3/8 - 16 x 2"	S23574
32	Key, 3/16 x 1-1/4" [See Note 1]	S34383
69	Washer, Impeller	S06314
71	Bracket	See Table II
73	O-Ring [See Note 2]	M14943
89	Seal, Mechanical Shaft	S32014
800	Capscrew, 1/2 - 13 x 1" [4 Req.]	S26912
801	Stud, 3/8 - 16 x 1-3/8" [8 Req.]	S09942
802	Nut, 3/8 - 16 [8 Req.]	S23103
805	Washer, Lock	S23036
810	Plug, Pipe 1/2 NPT [3 Req.]	S23717
815	Ring, Retaining	S11207

Table II

HP	PH	Bracket No.	"AK" Fit	"U" Dim.	Motor Frame
10	1	L05331	8-1/2"	7/8"	215JM
10	3	L05331	8-1/2"	7/8"	215JM

NOTE 1: For an explanation of the tabulated material found on this page and for impeller key location, refer to **Supplement A** located at the beginning of this section.

NOTE 2: Also accepts gasket **S05126** as replacement for O-Ring. See **Supplement E** located at the beginning of this section.



BERKELEY® B6ZPLS

Cast Iron Impeller

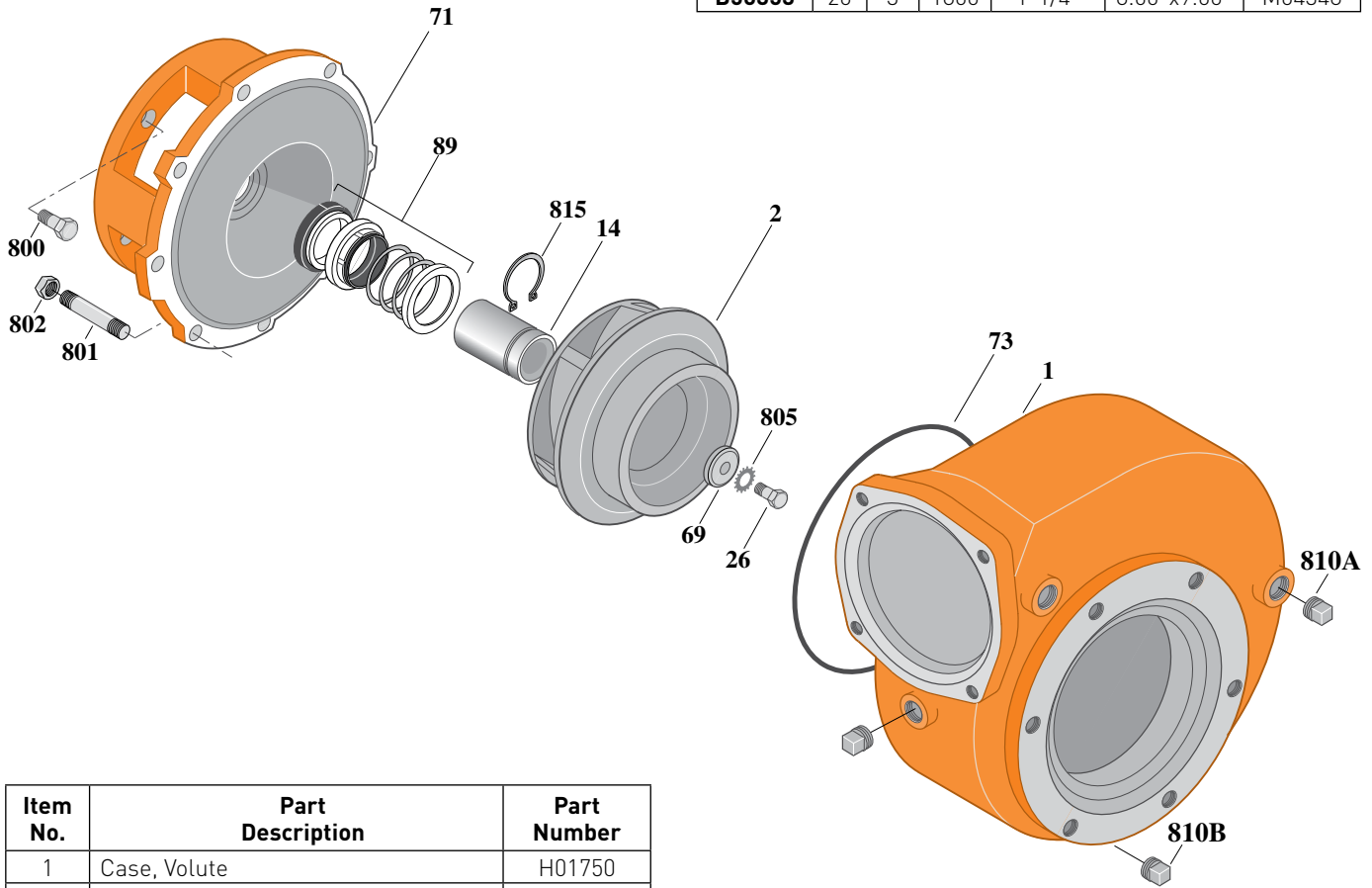
Special Flanged Case, Mechanical Shaft Seal Construction

ELECTRIC MOTOR DRIVE

Section	CC
Page	350.3.1
Date	March 4, 2013
Supersedes 07/01/11	

Table I

B/M No.	HP	PH	RPM	"U" Dim.	Imp. Dia.	Imp. No.
B56352	15	3	1800	1-1/4"	7.56"x8.56"	M07719
B56353	20	3	1800	1-1/4"	8.00"x9.00"	M04348



2481 1210

Item No.	Part Description	Part Number
1	Case, Volute	H01750
2	Impeller	See Table I
14	Sleeve, Shaft	S18869L
26	Screw, Impeller 1/2 - 13 x 3"	S23631
32	Key, 1/4 x 2-1/4" [See Note 1]	S23677
69	Washer, Impeller	S06319
71	Bracket	See Table II
73	O-Ring [See Note 2]	M14943
89	Seal, Mechanical Shaft	S32015
800	Capscrew, 1/2 - 13 x 1" [4 Req.]	S26912
801	Stud, 3/8 - 16 x 1-3/8" [8 Req.]	S23994
802	Nut, 3/8 - 16 [8 Req.]	S23103
805	Washer, Lock	S23038
810A	Plug, Pipe 1/2 NPT [3 Req.]	S23717
810B	Plug, Pipe 1/2 NPT Skt. Hd.	M11137
815	Ring, Retaining	S16767

Table II

HP	PH	Bracket No.	"AK" Fit	"U" Dim.	Motor Frame
15	3	L04615	8-1/2"	1-1/4"	254JM
20	3	L04615	8-1/2"	1-1/4"	256JM

NOTE 1: For an explanation of the tabulated material found on this page and for impeller key location, refer to **Supplement A** located at the beginning of this section.

NOTE 2: Also accepts gasket **S05126** as replacement for O-Ring. See **Supplement E** located at the beginning of this section.



BERKELEY® B6ZPLS

Cast Iron Impeller

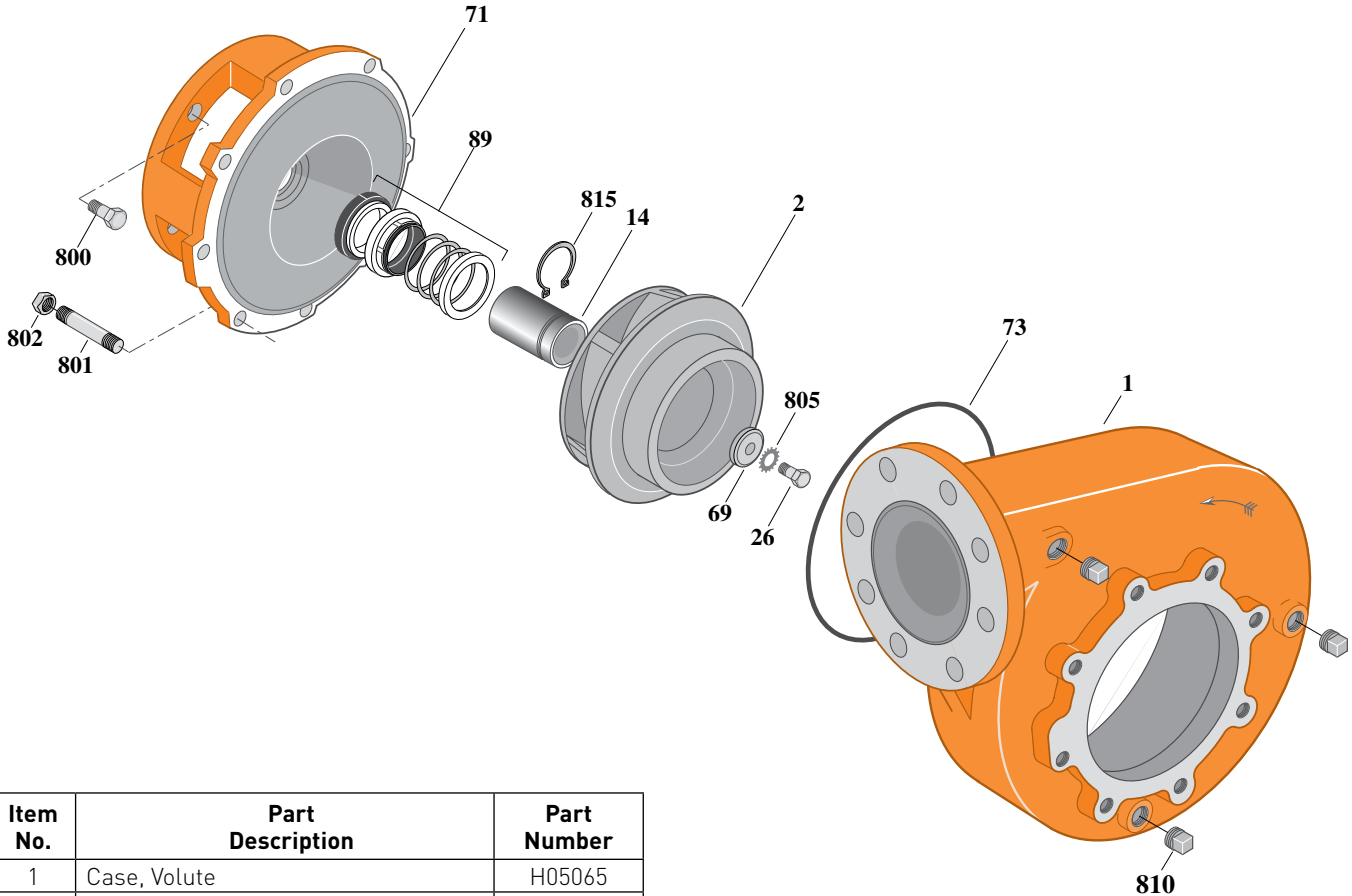
Flanged Case, Mechanical Shaft Seal Construction

ELECTRIC MOTOR DRIVE

Section	CC
Page	350.3
Date	March 4, 2013
Supersedes 07/01/11	

Table I

B/M No.	HP	PH	RPM	"U" Dim.	Imp. Dia.	Imp. No.
B69546	15	3	1800	1-1/4"	7.56"x8.56"	M07719
B69540	20	3	1800	1-1/4"	8.00"x9.00"	M04348



1621 1210

Item No.	Part Description	Part Number
1	Case, Volute	H05065
2	Impeller	See Table I
14	Sleeve, Shaft	S18869L
26	Screw, Impeller 1/2 - 13 x 3"	S23631
32	Key, 1/4 x 2-1/4" [See Note 1]	S23677
69	Washer, Impeller	S06319
71	Bracket	See Table II
73	O-Ring [See Note 2]	M14943
89	Seal, Mechanical Shaft	S32015
800	Capscrew, 1/2 - 13 x 1" [4 Req.]	S26912
801	Stud, 3/8 - 16 x 1-3/8" [8 Req.]	S09942
802	Nut, 3/8 - 16 [8 Req.]	S23103
805	Washer, Lock	S23038
810	Plug, Pipe 1/2 NPT [3 Req.]	S23717
815	Ring, Retaining	S16767

Table II

HP	PH	Bracket No.	"AK" Fit	"U" Dim.	Motor Frame
15	3	L04615	8-1/2"	1-1/4"	254JM
20	3	L04615	8-1/2"	1-1/4"	256JM

NOTE 1: For an explanation of the tabulated material found on this page and for impeller key location, refer to **Supplement A** located at the beginning of this section.

NOTE 2: Also accepts gasket **S05126** as replacement for O-Ring. See **Supplement E** located at the beginning of this section.



BERKELEY® B6ZPLS

Bronze Impeller

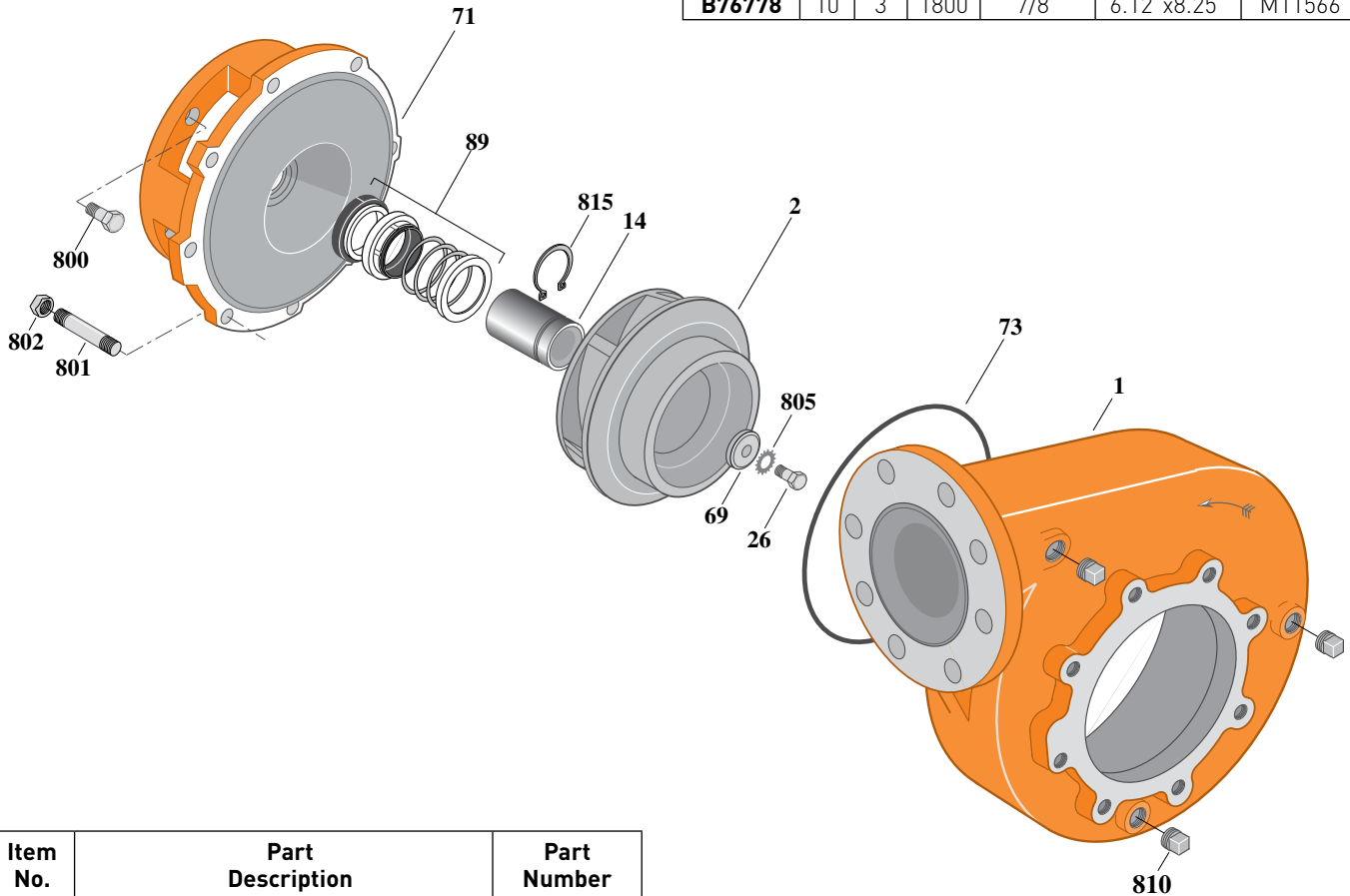
Flanged Case, Mechanical Shaft Seal Construction

ELECTRIC MOTOR DRIVE

Section	CC
Page	350.4
Date	March 4, 2013
Supersedes 07/01/11	

Table I

B/M No.	HP	PH	RPM	"U" Dim.	Imp. Dia.	Imp. No.
B76777	10	1	1800	7/8"	6.12"x8.25"	M11566
B76778	10	3	1800	7/8"	6.12"x8.25"	M11566



1601 1210

Item No.	Part Description	Part Number
1	Case, Volute	H05065
2	Impeller	See Table I
14	Sleeve, Shaft	S19310L
26	Screw, Impeller 3/8 - 16 x 2"	S23574
32	Key, 3/16 x 1-1/4" [See Note 1]	S34383
69	Washer, Impeller	S06314
71	Bracket	See Table II
73	O-Ring [See Note 2]	M14943
89	Seal, Mechanical Shaft	S32014
800	Capscrew, 1/2 - 13 x 1" [4 Req.]	S26912
801	Stud, 3/8 - 16 x 1-3/8" [8 Req.]	S09942
802	Nut, 3/8 - 16 [8 Req.]	S23103
805	Washer, Lock	S23036
810	Plug, Pipe 1/2 NPT [3 Req.]	S23717
815	Ring, Retaining	S11207

Table II

HP	PH	Bracket No.	"AK" Fit	"U" Dim.	Motor Frame
10	1	L05331	8-1/2"	7/8"	215JM
10	3	L05331	8-1/2"	7/8"	215JM

NOTE 1: For an explanation of the tabulated material found on this page and for impeller key location, refer to **Supplement A** located at the beginning of this section.

NOTE 2: Also accepts gasket **S05126** as replacement for O-Ring. See **Supplement E** located at the beginning of this section.



BERKELEY® B6ZPLS

Bronze Impeller

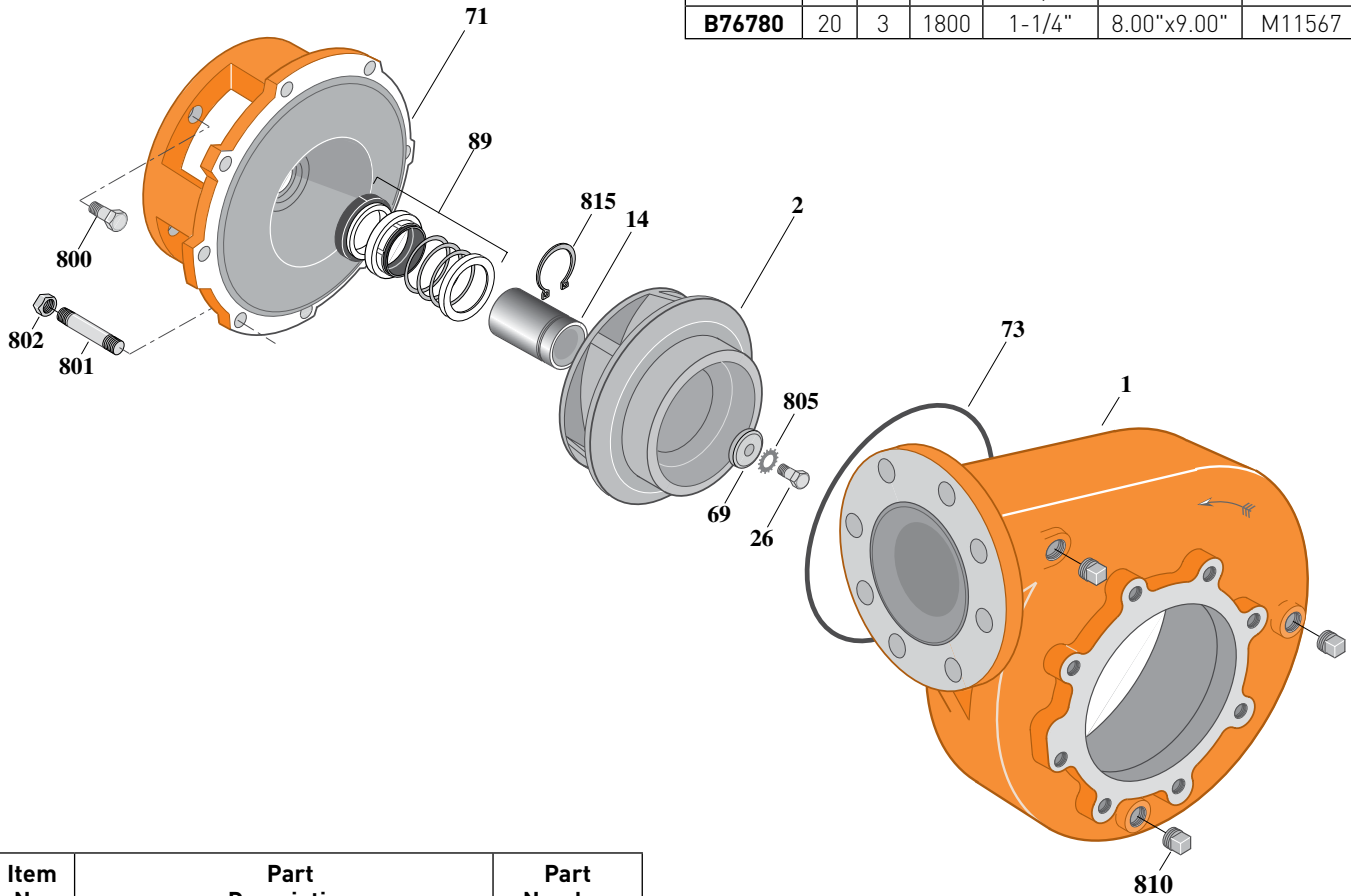
Flanged Case, Mechanical Shaft Seal Construction

ELECTRIC MOTOR DRIVE

Section	CC
Page	350.5
Date	March 4, 2013
Supersedes 07/01/11	

Table I

B/M No.	HP	PH	RPM	"U" Dim.	Imp. Dia.	Imp. No.
B76779	15	3	1800	1-1/4"	7.56"x8.56"	M11568
B76780	20	3	1800	1-1/4"	8.00"x9.00"	M11567



1621 1210

Item No.	Part Description	Part Number
1	Case, Volute	H05065
2	Impeller	See Table I
14	Sleeve, Shaft	S18869L
26	Screw, Impeller 1/2 - 13 x 3"	S23631
32	Key, 1/4 x 2-1/4" [See Note 1]	S23677
69	Washer, Impeller	S06319
71	Bracket	See Table II
73	O-Ring [See Note 2]	M14943
89	Seal, Mechanical Shaft	S32015
800	Capscrew, 1/2 - 13 x 1" [4 Req.]	S26912
801	Stud, 3/8 - 16 x 1-3/8" [8 Req.]	S09942
802	Nut, 3/8 - 16 [8 Req.]	S23103
805	Washer, Lock	S23038
810	Plug, Pipe 1/2 NPT [3 Req.]	S23717
815	Ring, Retaining	S16767

Table II

HP	PH	Bracket No.	"AK" Fit	"U" Dim.	Motor Frame
15	3	L04615	8-1/2"	1-1/4"	254JM
20	3	L04615	8-1/2"	1-1/4"	256JM

NOTE 1: For an explanation of the tabulated material found on this page and for impeller key location, refer to **Supplement A** located at the beginning of this section.

NOTE 2: Also accepts gasket **S05126** as replacement for O-Ring. See **Supplement E** located at the beginning of this section.



BERKELEY® B6ZPH

Cast Iron Impeller

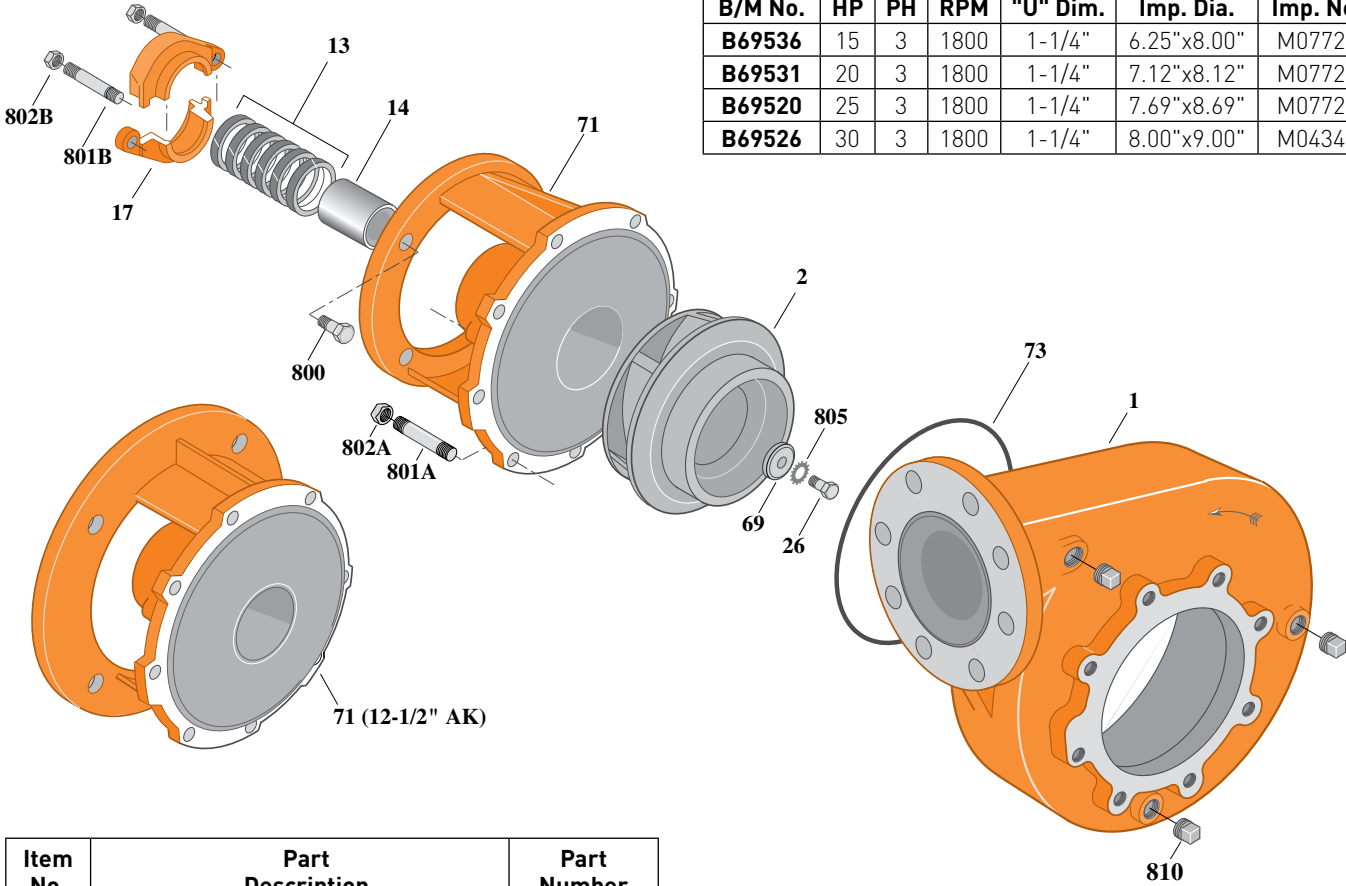
Flanged Case, Packing Construction

ELECTRIC MOTOR DRIVE

Section	CC
Page	360.1
Date	March 4, 2013
Supersedes 07/01/11	

Table I

B/M No.	HP	PH	RPM	"U" Dim.	Imp. Dia.	Imp. No.
B69536	15	3	1800	1-1/4"	6.25"x8.00"	M07720
B69531	20	3	1800	1-1/4"	7.12"x8.12"	M07721
B69520	25	3	1800	1-1/4"	7.69"x8.69"	M07722
B69526	30	3	1800	1-1/4"	8.00"x9.00"	M04349



1753 1210

Item No.	Part Description	Part Number
1	Case, Volute	H05065
2	Impeller	See Table I
13	Rings, Packing (Set of 6)	S13470
14	Sleeve, Shaft	S05149L
17	Gland, Packing	B82470
26	Screw, Impeller 1/2 - 13 x 2"	S23627
32	Key, 1/4 x 2-1/4" [See Note1]	S23677
69	Washer, Impeller	S06319
71	Bracket	See Table II
73	O-Ring [See Note 2]	M14943
800	Capscrew, 1/2 - 13 x 1-1/2" [4 Req.]	S26916
801A	Stud, 3/8 - 16 x 1-3/8" [8 Req.]	S09942
801B	Stud, 3/8 - 16 x 4" [2 Req.]	S08303
802A	Nut, Hex 3/8 - 16 [8 Req.]	S23103
802B	Nut, Hex 3/8 - 16 [2 Req.]	S23343
805	Washer, Lock	S23038
810	Plug, Pipe 1/2 NPT [3 Req.]	S23717

Table II

HP	PH	Bracket No.	"AK" Fit	"U" Dim.	Motor Frame
10	1	L03827	8-1/2"	1-1/4"	254JP
10	3	L03827	8-1/2"	1-1/4"	256JP
15	3	L01563	12-1/2"	1-1/4"	284JP
20	3	L01563	12-1/2"	1-1/4"	286JP

NOTE 1: For an explanation of the tabulated material found on this page and for impeller key location, refer to **Supplement A** located at the beginning of this section.

NOTE 2: Also accepts gasket **S05126** as replacement for O-Ring. See **Supplement E** located at the beginning of this section.



BERKELEY® B6ZPH

Cast Iron Impeller

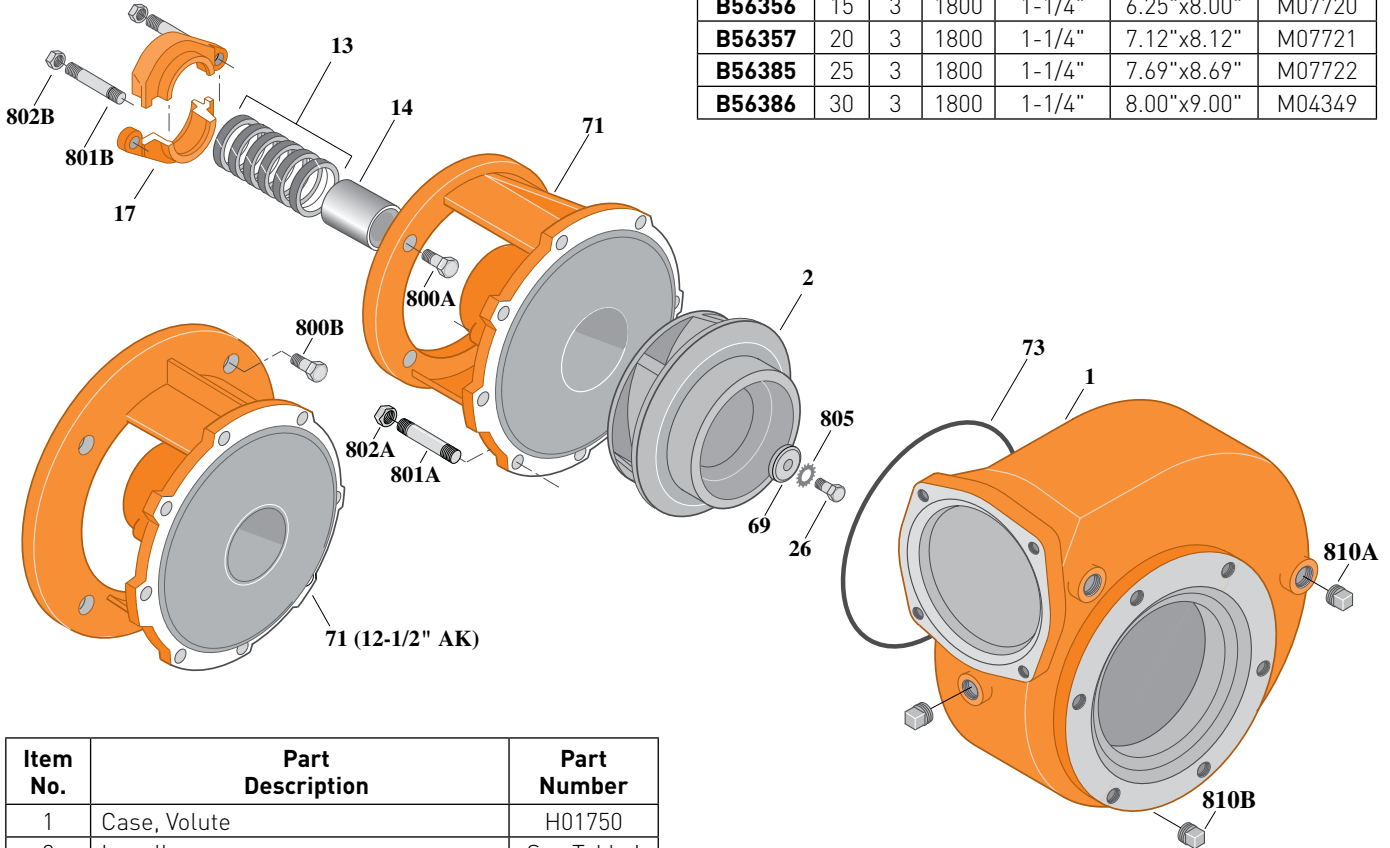
Special Flanged Case, Packing Construction

ELECTRIC MOTOR DRIVE

Section	CC
Page	360.2.1
Date	March 4, 2013
Supersedes 07/01/11	

Table I

B/M No.	HP	PH	RPM	"U" Dim.	Imp. Dia.	Imp. No.
B56356	15	3	1800	1-1/4"	6.25"x8.00"	M07720
B56357	20	3	1800	1-1/4"	7.12"x8.12"	M07721
B56385	25	3	1800	1-1/4"	7.69"x8.69"	M07722
B56386	30	3	1800	1-1/4"	8.00"x9.00"	M04349



2482 1210

Item No.	Part Description	Part Number
1	Case, Volute	H01750
2	Impeller	See Table I
13	Rings, Packing (Set of 6)	S13470
14	Sleeve, Shaft	S05149L
17	Gland, Packing	B82470
26	Screw, Impeller 1/2 - 13 x 2"	S23627
32	Key, 1/4 x 2-1/4" [See Note 1]	S23677
69	Washer, Impeller	S06319
71	Bracket	See Table II
73	O-Ring [See Note 2]	M14943
800A	Capscrew, 1/2 - 13 x 1-1/2" [4 Req.]	S26916
800B	Capscrew, 5/8 - 11 x 1-1/2" [4 Req.]	S26999
801A	Stud, 3/8 - 16 x 1-3/8" [8 Req.]	S23994
801B	Stud, 3/8 - 16 x 4" [2 Req.]	S08303
802A	Nut, Hex 3/8 - 16 [8 Req.]	S23103
802B	Nut, Hex 3/8 - 16 [2 Req.]	S23343
805	Washer, Lock	S23038
810A	Plug, Pipe 1/2 NPT [3 Req.]	S23717
810B	Plug, Pipe 1/2 NPT Skt. Hd.	M11137

Table II

HP	PH	Bracket No.	"AK" Fit	"U" Dim.	Motor Frame
15	1	L03827	8-1/2"	1-1/4"	254JP
20	3	L03827	8-1/2"	1-1/4"	256JP
25	3	L01563	12-1/2"	1-1/4"	284JP
30	3	L01563	12-1/2"	1-1/4"	286JP

NOTE 1: For an explanation of the tabulated material found on this page and for impeller key location, refer to **Supplement A** located at the beginning of this section.

NOTE 2: Also accepts gasket **S05126** as replacement for O-Ring. See **Supplement E** located at the beginning of this section.



BERKELEY® B6ZPHS

Cast Iron Impeller

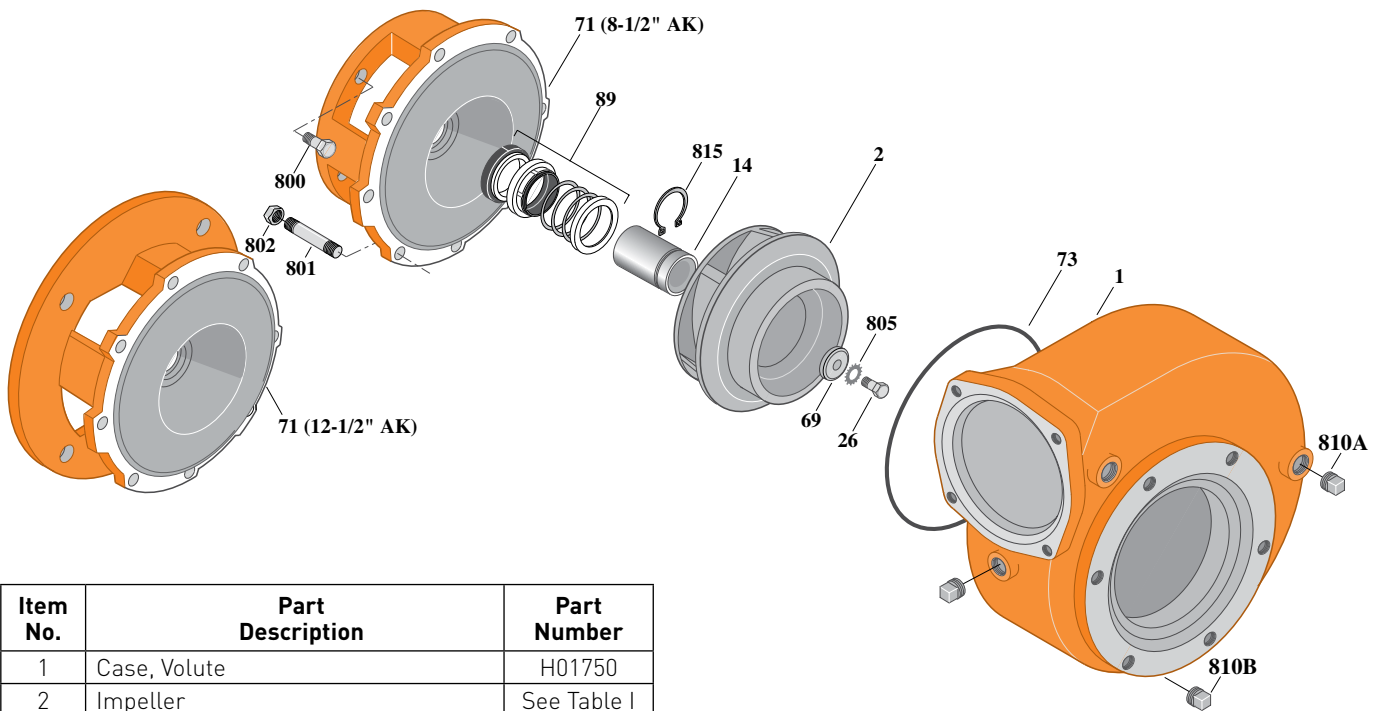
Special Flanged Case, Mechanical Shaft Seal Construction

ELECTRIC MOTOR DRIVE

Section	CC
Page	360.2.2
Date	March 4, 2013
Supersedes 07/01/11	

Table I

B/M No.	HP	PH	RPM	"U" Dim.	Imp. Dia.	Imp. No.
B56362	15	3	1800	1-1/4"	6.25"x8.00"	M07720
B56363	20	3	1800	1-1/4"	7.12"x8.12"	M07721
B56364	25	3	1800	1-1/4"	7.69"x8.69"	M07722
B56365	30	3	1800	1-1/4"	8.00"x9.00"	M04349



2483 1210

Item No.	Part Description	Part Number
1	Case, Volute	H01750
2	Impeller	See Table I
14	Sleeve, Shaft	S18869L
26	Screw, Impeller 1/2 - 13 x 2"	S23627
32	Key, 1/4 x 2-1/4" [See Note 1]	S23677
69	Washer, Impeller	S06319
71	Bracket	See Table II
73	O-Ring [See Note 2]	M14943
89	Seal, Mechanical Shaft	S32015
800	Capscrew, 1/2 - 13 x 1" [4 Req.] [For 8-1/2 AK]	S26912
800	Capscrew, 5/8 - 11 x 1-1/4" [4 Req.] [For 8-1/2 AK]	S26997
801	Stud, 3/8 - 16 x 1-3/8" [8 Req.]	S23994
802	Nut, 3/8 - 16 [8 Req.]	S23103
805	Washer, Lock	S23038
810A	Plug, Pipe 1/2 NPT [3 Req.]	S23717
810B	Plug, Pipe 1/2 NPT Skt. Hd.	M11137
815	Ring, Retaining	S16767

Table II

HP	PH	Bracket No.	"AK" Fit	"U" Dim.	Motor Frame
15	3	L04615	8-1/2"	1-1/4"	254JM
20	3	L04615	8-1/2"	1-1/4"	256JM
25	3	L04627	12-1/2"	1-1/4"	284JM
30	3	L04627	12-1/2"	1-1/4"	286JM

NOTE 1: For an explanation of the tabulated material found on this page and for impeller key location, refer to **Supplement A** located at the beginning of this section.

NOTE 2: Also accepts gasket **S05126** as replacement for O-Ring. See **Supplement E** located at the beginning of this section.



BERKELEY® B6ZPHS

Cast Iron Impeller

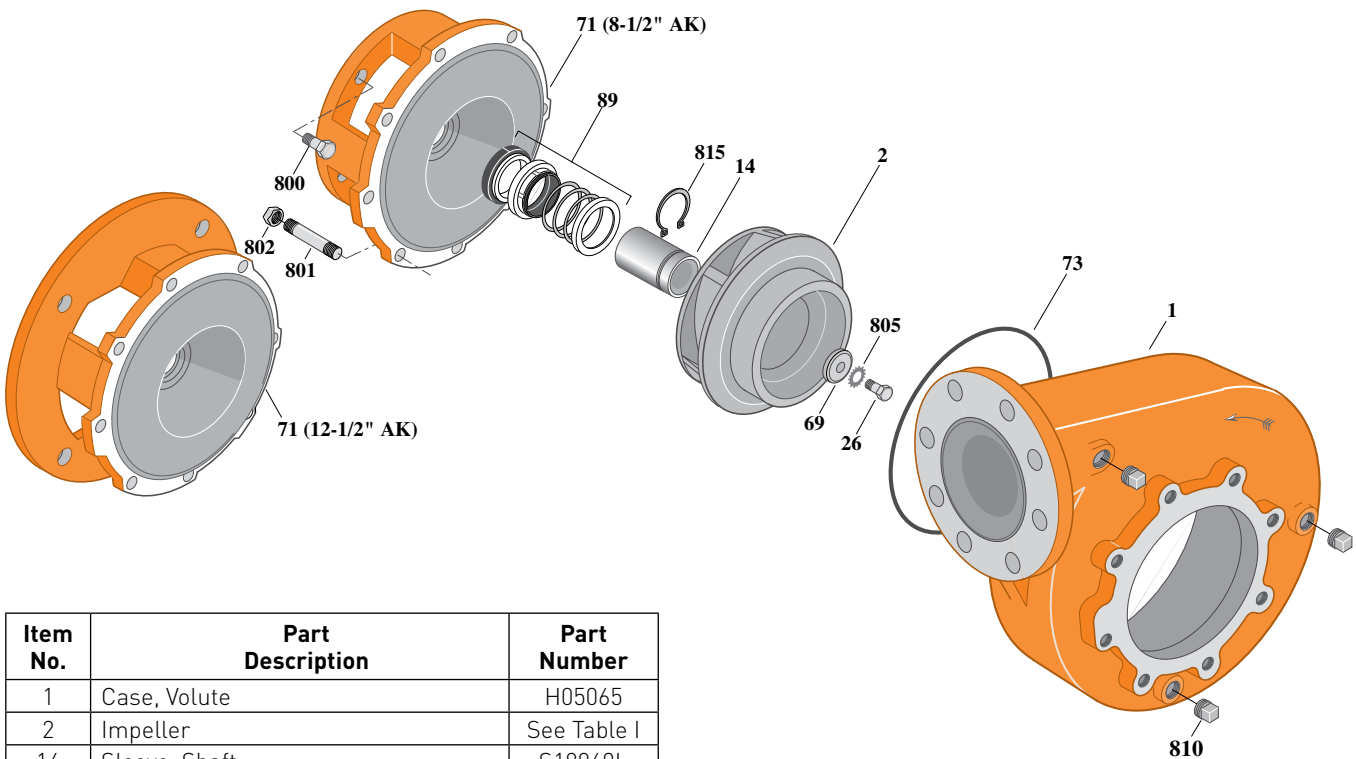
Flanged Case, Mechanical Shaft Seal Construction

ELECTRIC MOTOR DRIVE

Section	CC
Page	360.2
Date	March 4, 2013
Supersedes 07/01/11	

Table I

B/M No.	HP	PH	RPM	"U" Dim.	Imp. Dia.	Imp. No.
B69535	15	3	1800	1-1/4"	6.25"x8.00"	M07720
B69530	20	3	1800	1-1/4"	7.12"x8.12"	M07721
B69518	25	3	1800	1-1/4"	7.69"x8.69"	M07722
B69525	30	3	1800	1-1/4"	8.00"x9.00"	M04349



1622 1210

Item No.	Part Description	Part Number
1	Case, Volute	H05065
2	Impeller	See Table I
14	Sleeve, Shaft	S18869L
26	Screw, Impeller 1/2 - 13 x 2"	S23627
32	Key, 1/4 x 2-1/4" [See Note 1]	S23677
69	Washer, Impeller	S06319
71	Bracket	See Table II
73	O-Ring [See Note 2]	M14943
89	Seal, Mechanical Shaft	S32015
800	Capscrew, 1/2 - 13 x 1" [4 Req.] [For 8-1/2 AK]	S26912
800	Capscrew, 5/8 - 11 x 1-1/4" [4 Req.] [For 8-1/2 AK]	S26997
801	Stud, 3/8 - 16 x 1-3/8" [8 Req.]	S09942
802	Nut, 3/8 - 16 [8 Req.]	S23103
805	Washer, Lock	S23038
810	Plug, Pipe 1/2 NPT [3 Req.]	S23717
815	Ring, Retaining	S16767

Table II

HP	PH	Bracket No.	"AK" Fit	"U" Dim.	Motor Frame
15	3	L04615	8-1/2"	1-1/4"	254JM
20	3	L04615	8-1/2"	1-1/4"	256JM
25	3	L04627	12-1/2"	1-1/4"	284JM
30	3	L04627	12-1/2"	1-1/4"	286JM

NOTE 1: For an explanation of the tabulated material found on this page and for impeller key location, refer to **Supplement A** located at the beginning of this section.

NOTE 2: Also accepts gasket **S05126** as replacement for O-Ring. See **Supplement E** located at the beginning of this section.



BERKELEY® B6ZPHS

Bronze Impeller

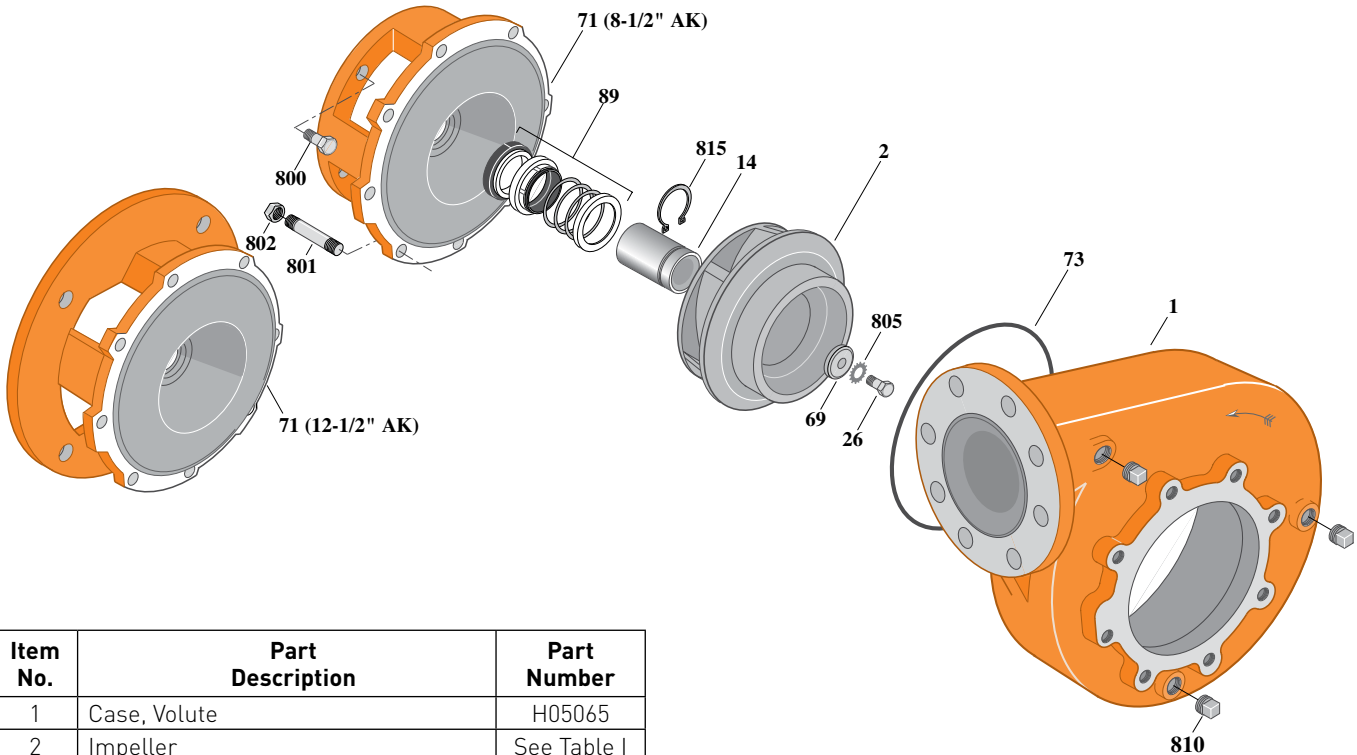
Flanged Case, Mechanical Shaft Seal Construction

ELECTRIC MOTOR DRIVE

Section	CC
Page	360.3
Date	March 4, 2013
Supersedes 07/01/11	

Table I

B/M No.	HP	PH	RPM	"U" Dim.	Imp. Dia.	Imp. No.
B76781	15	3	1800	1-1/4"	6.25"x8.00"	M11569
B76782	20	3	1800	1-1/4"	7.12"x8.12"	M11570
B76783	25	3	1800	1-1/4"	7.69"x8.69"	M11571
B76784	30	3	1800	1-1/4"	8.00"x9.00"	M11572



1622 1210

Item No.	Part Description	Part Number
1	Case, Volute	H05065
2	Impeller	See Table I
14	Sleeve, Shaft	S18869L
26	Screw, Impeller 1/2 - 13 x 2"	S23627
32	Key, 1/4 x 2-1/4" [See Note 1]	S23677
69	Washer, Impeller	S06319
71	Bracket	See Table II
73	O-Ring [See Note 2]	M14943
89	Seal, Mechanical Shaft	S32015
800	Capscrew, 1/2 - 13 x 1" [4 Req.] [For 8-1/2 AK]	S26912
800	Capscrew, 5/8 - 11 x 1-1/4" [4 Req.] [For 8-1/2 AK]	S26997
801	Stud, 3/8 - 16 x 1-3/8" [8 Req.]	S09942
802	Nut, 3/8 - 16 [8 Req.]	S23103
805	Washer, Lock	S23038
810	Plug, Pipe 1/2 NPT [3 Req.]	S23717
815	Ring, Retaining	S16767

Table II

HP	PH	Bracket No.	"AK" Fit	"U" Dim.	Motor Frame
15	3	L04615	8-1/2"	1-1/4"	254JM
20	3	L04615	8-1/2"	1-1/4"	256JM
25	3	L04627	12-1/2"	1-1/4"	284JM
30	3	L04627	12-1/2"	1-1/4"	286JM

NOTE 1: For an explanation of the tabulated material found on this page and for impeller key location, refer to **Supplement A** located at the beginning of this section.

NOTE 2: Also accepts gasket **S05126** as replacement for O-Ring. See **Supplement E** located at the beginning of this section.



BERKELEY® B6JPBL

Cast Iron Impeller

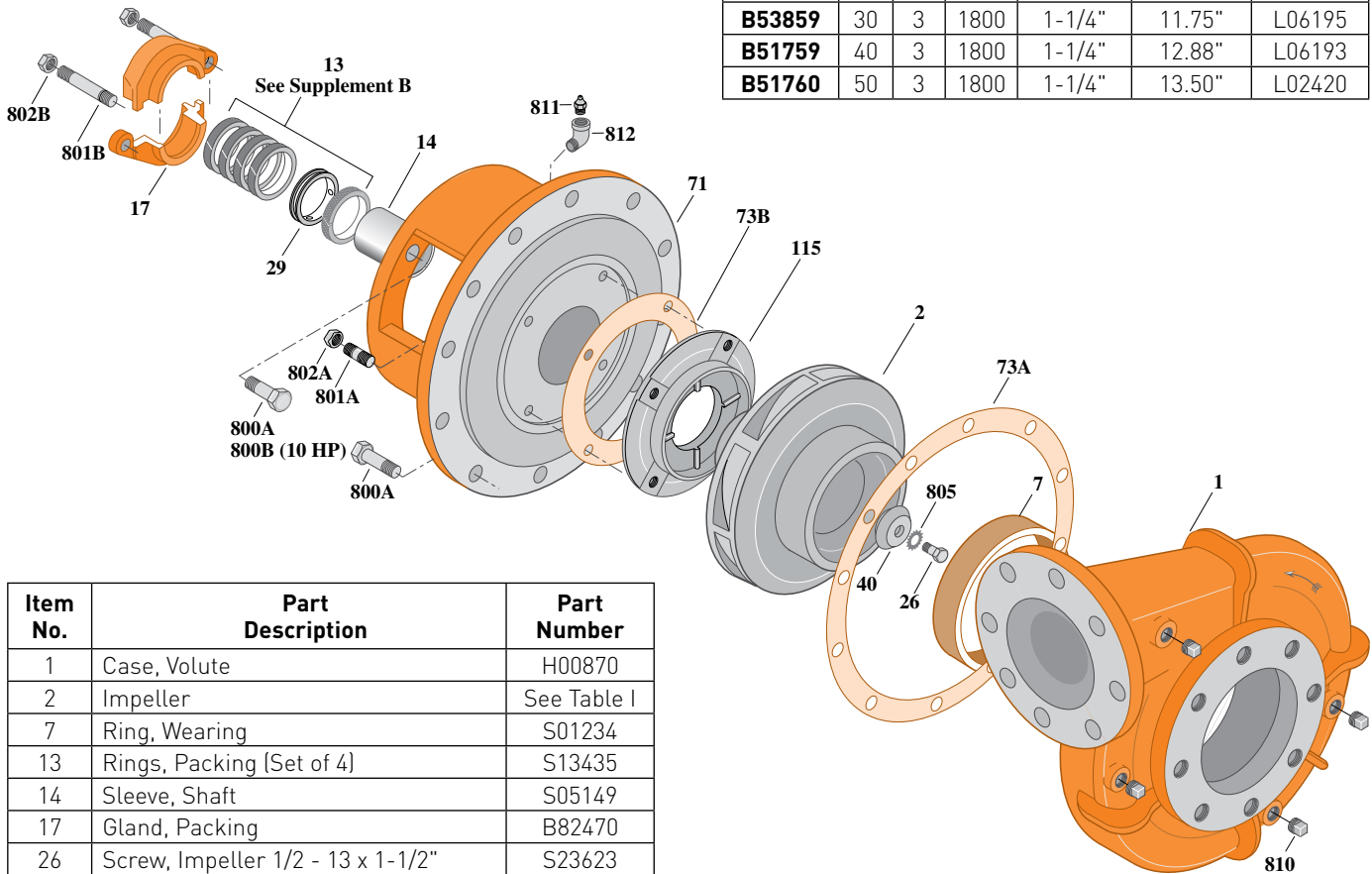
Flanged Case, Packing Construction

ELECTRIC MOTOR DRIVE

Section	CC
Page	370.1
Date	March 4, 2013
Supersedes 01/01/04	

Table I

B/M No.	HP	PH	RPM	"U" Dim.	Imp. Dia.	Imp. No.
B53858	25	3	1800	1-1/4"	11.00"	LO6194
B53859	30	3	1800	1-1/4"	11.75"	LO6195
B51759	40	3	1800	1-1/4"	12.88"	LO6193
B51760	50	3	1800	1-1/4"	13.50"	LO2420



1771 0495

Item No.	Part Description	Part Number
1	Case, Volute	H00870
2	Impeller	See Table I
7	Ring, Wearing	S01234
13	Rings, Packing (Set of 4)	S13435
14	Sleeve, Shaft	S05149
17	Gland, Packing	B82470
26	Screw, Impeller 1/2 - 13 x 1-1/2"	S23623
29	Ring, Lantern	S19200
32	Key, 1/4 x 2-1/4" (See Note)	S23677
40	Deflector	S06319
71	Bracket	See Table II
73A	Gasket, Volute	S06271
73B	Gasket, Balance Ring	S09943
115	Ring, Balance	S12315
800	Capscrew, 5/8 - 11 x 1-1/2" (16 Req.)	S26999
801A	Stud, 3/8 - 16 x 1-3/4" (4 Req.)	S23996
801B	Stud, 3/8 - 16 x 2-1/2" (2 Req.)	S04438
802A	Nut, Hex 3/8 - 16 (4 Req.)	S23103
802B	Nut, Hex 3/8 - 16 (2 Req.)	S23343
805	Washer, Lock	S23038
810	Plug, Pipe 1/2 NPT (4 Req.)	S23717
811	Fitting, Grease	S23700
812	Elbow, Street	S25421

Table II

HP	PH	Bracket No.	"AK" Fit	"U" Dim.	Motor Frame
25	3	H01601	12-1/2"	1-1/4"	284JP
30	3	H01601	12-1/2"	1-1/4"	286JP
40	3	H01601	12-1/2"	1-1/4"	324JP
50	3	H01601	12-1/2"	1-1/4"	326JP

NOTE: For an explanation of the tabulated material found on this page and for impeller key location, refer to **Supplement A** located at the beginning of this section.



BERKELEY® B6JPBLS

Cast Iron Impeller

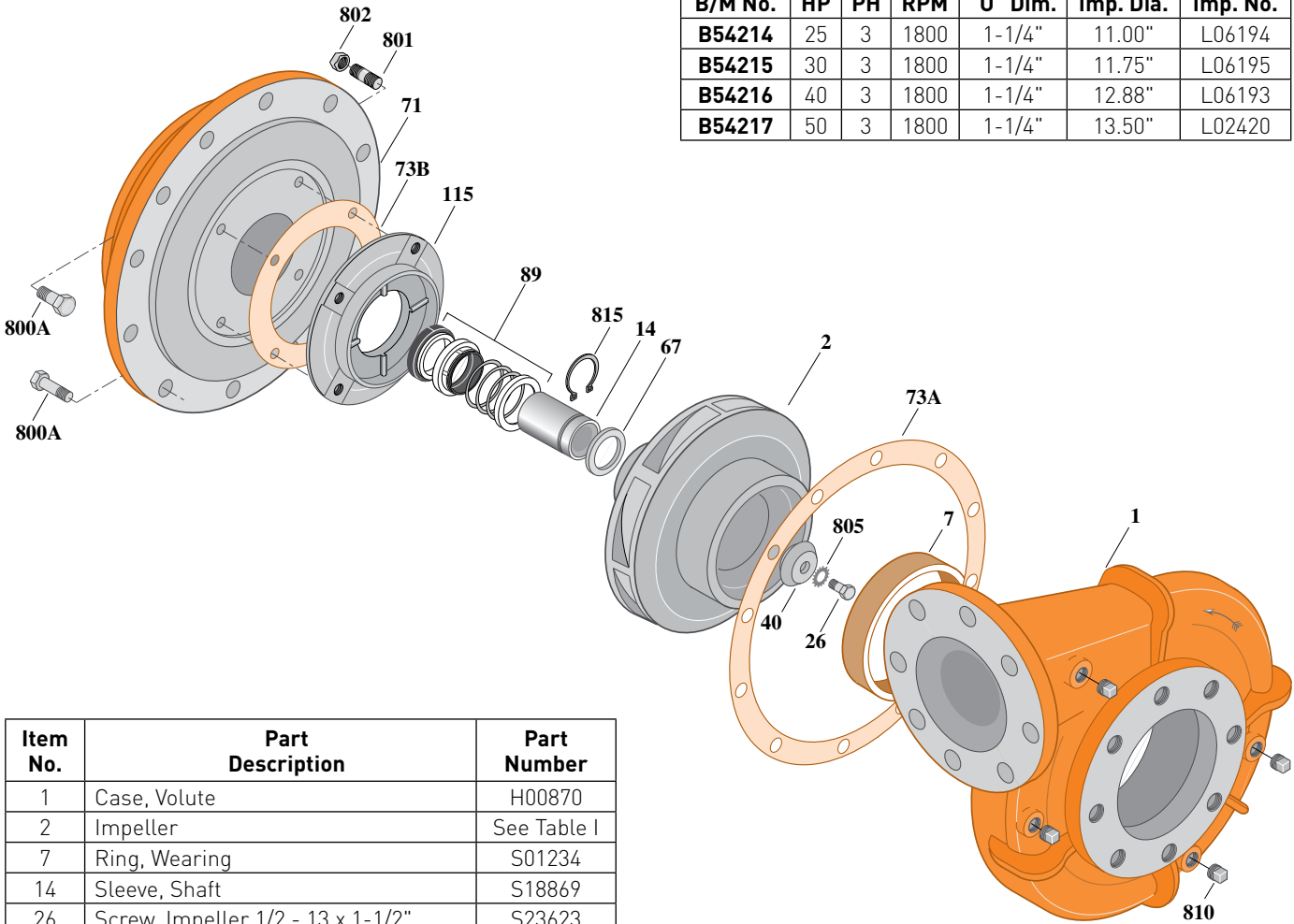
Flanged Case, Mechanical Shaft Seal Construction

ELECTRIC MOTOR DRIVE

Section	CC
Page	370.2
Date	March 4, 2013
Supersedes 01/01/04	

Table I

B/M No.	HP	PH	RPM	"U" Dim.	Imp. Dia.	Imp. No.
B54214	25	3	1800	1-1/4"	11.00"	L06194
B54215	30	3	1800	1-1/4"	11.75"	L06195
B54216	40	3	1800	1-1/4"	12.88"	L06193
B54217	50	3	1800	1-1/4"	13.50"	L02420



1695 0295

Item No.	Part Description	Part Number
1	Case, Volute	H00870
2	Impeller	See Table I
7	Ring, Wearing	S01234
14	Sleeve, Shaft	S18869
26	Screw, Impeller 1/2 - 13 x 1-1/2"	S23623
32	Key, 1/4 x 2-1/4" (See Note)	S23677
40	Deflector	S06319
67	Ring, Spacer	S19349
71	Bracket	See Table II
73A	Gasket, Volute Case	S06271
73B	Gasket, Balance Ring	S09943
89	Seal, Mechanical Shaft	S32015
115	Ring, Balance	S19105
800A	Capscrew, 5/8 - 11 x 1-1/2" (16 Req.)	S26999
801	Stud, 3/8 - 16 x 1-1/2" (4 Req.)	S23995
802	Nut, 3/8 - 16 (4 Req.)	S23103
805	Washer, Lock	S23038
810	Plug, Pipe 1/2 NPT (4 Req.)	S23717
815	Ring, Retaining	S16767

Table II

HP	PH	Bracket No.	"AK" Fit	"U" Dim.	Motor Frame
25	3	H03301	12-1/2"	1-1/4"	284JM
30	3	H03301	12-1/2"	1-1/4"	286JM
40	3	H03301	12-1/2"	1-1/4"	324JM
50	3	H03301	12-1/2"	1-1/4"	326JM

NOTE: For an explanation of the tabulated material found on this page and for impeller key location, refer to **Supplement A** located at the beginning of this section.



BERKELEY® B6JPBL

Silicon Bronze Impeller

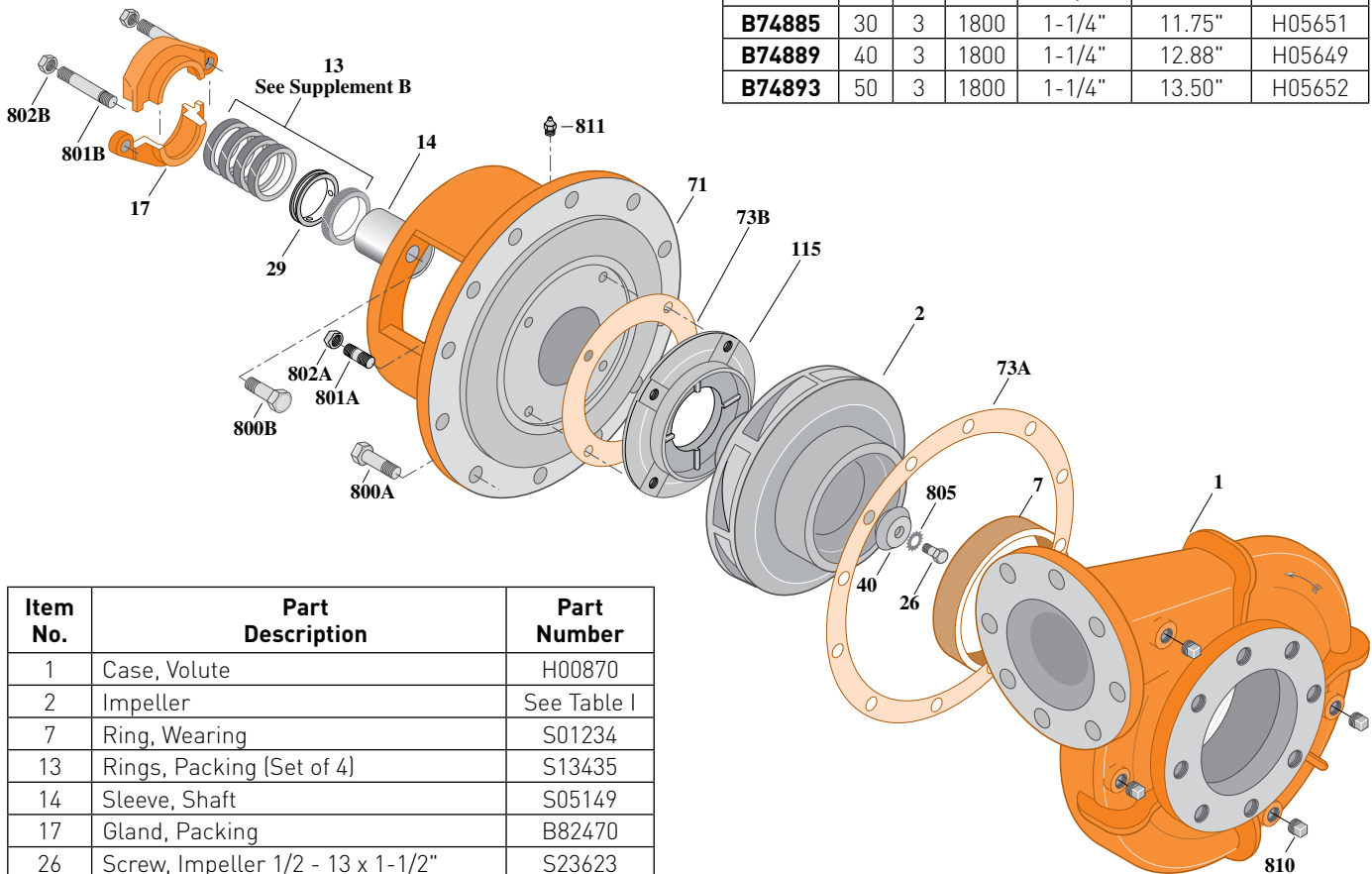
Flanged Case, Packing Construction

ELECTRIC MOTOR DRIVE

Section	CC
Page	370.3
Date	March 4, 2013
Supersedes 01/01/04	

Table I

B/M No.	HP	PH	RPM	"U" Dim.	Imp. Dia.	Imp. No.
B74881	25	3	1800	1-1/4"	11.00"	H05650
B74885	30	3	1800	1-1/4"	11.75"	H05651
B74889	40	3	1800	1-1/4"	12.88"	H05649
B74893	50	3	1800	1-1/4"	13.50"	H05652



1771A 0495

Item No.	Part Description	Part Number
1	Case, Volute	H00870
2	Impeller	See Table I
7	Ring, Wearing	S01234
13	Rings, Packing (Set of 4)	S13435
14	Sleeve, Shaft	S05149
17	Gland, Packing	B82470
26	Screw, Impeller 1/2 - 13 x 1-1/2"	S23623
29	Ring, Lantern	S19200
32	Key, 1/4 x 2-1/4" (See Note)	S23677
40	Deflector	S06319
71	Bracket	See Table II
73A	Gasket, Volute	S06271
73B	Gasket, Balance Ring	S09943
115	Ring, Balance	S12315
800A	Capscrew, 5/8 - 11 x 1-1/2" (12 Req.)	S26999
800B	Capscrew, 5/8 - 11 x 1-1/2" (4 Req.)	S26999
801A	Stud, 3/8 - 16 x 1-3/4" (4 Req.)	S23996
801B	Stud, 3/8 - 16 x 2-1/2" (2 Req.)	S04438
802A	Nut, Hex 3/8 - 16 (4 Req.)	S23103
802B	Nut, Hex 3/8 - 16 (2 Req.)	S23343
805	Washer, Lock	S23038
810	Plug, Pipe 1/2" NPT (4 Req.)	S23717
811	Fitting, Grease	S23700

Table II

HP	PH	Bracket No.	"AK" Fit	"U" Dim.	Motor Frame
25	3	H01601	12-1/2"	1-1/4"	284JP
30	3	H01601	12-1/2"	1-1/4"	286JP
40	3	H01601	12-1/2"	1-1/4"	324JP
50	3	H01601	12-1/2"	1-1/4"	326JP

NOTE: For an explanation of the tabulated material found on this page and for impeller key location, refer to **Supplement A** located at the beginning of this section.



BERKELEY® B6JPBLS Silicon Bronze Impeller

Flanged Case, Mechanical Shaft Seal Construction

ELECTRIC MOTOR DRIVE

Section	CC
Page	370.4
Date	March 4, 2013
Supersedes 01/01/04	

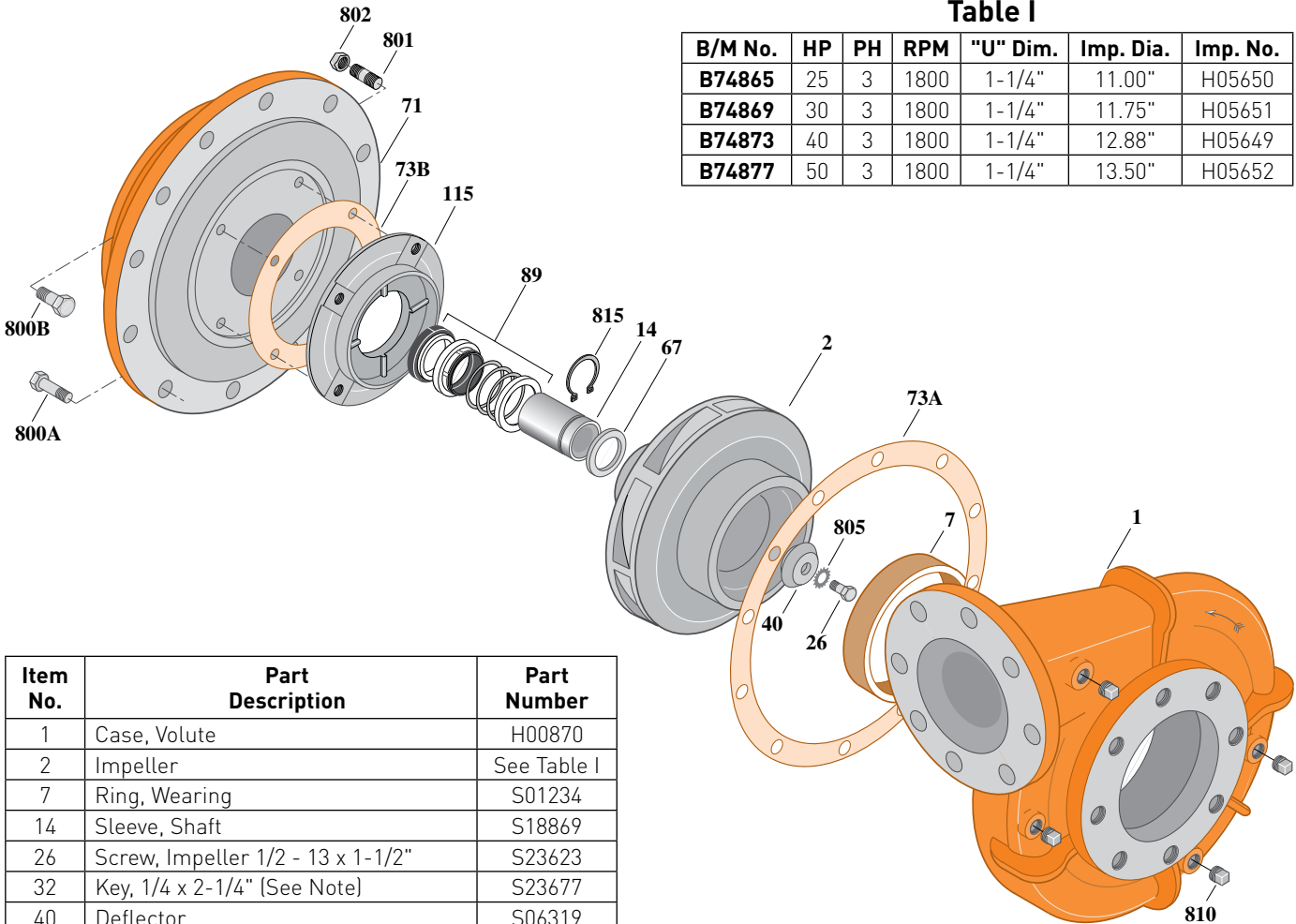


Table I

B/M No.	HP	PH	RPM	"U" Dim.	Imp. Dia.	Imp. No.
B74865	25	3	1800	1-1/4"	11.00"	H05650
B74869	30	3	1800	1-1/4"	11.75"	H05651
B74873	40	3	1800	1-1/4"	12.88"	H05649
B74877	50	3	1800	1-1/4"	13.50"	H05652

Item No.	Part Description	Part Number
1	Case, Volute	H00870
2	Impeller	See Table I
7	Ring, Wearing	S01234
14	Sleeve, Shaft	S18869
26	Screw, Impeller 1/2 - 13 x 1-1/2"	S23623
32	Key, 1/4 x 2-1/4" (See Note)	S23677
40	Deflector	S06319
67	Ring, Spacer	S19349
71	Bracket	See Table II
73A	Gasket, Volute Case	S06271
73B	Gasket, Balance Ring	S09943
89	Seal, Mechanical Shaft	S32015
115	Ring, Balance	S19105
800A	Capscrew, 5/8 - 11 x 1-1/2" (12 Req.)	S26999
800B	Capscrew, 5/8 - 11 x 1-1/2" (4 Req.)	S26999
801	Stud, 3/8 - 16 x 1-1/2" (4 Req.)	S23995
802	Nut, 3/8 - 16 (4 Req.)	S23103
805	Washer, Lock	S23038
810	Plug, Pipe 1/2" NPT (4 Req.)	S23717
815	Ring, Retaining	S16767
•	Plug, Pipe 1/8" NPT (In Bracket)	S23714

• Not illustrated.

Table II

HP	PH	Bracket No.	"AK" Fit	"U" Dim.	Motor Frame
25	3	H03301	12-1/2"	1-1/4"	284JM
30	3	H03301	12-1/2"	1-1/4"	286JM
40	3	H03301	12-1/2"	1-1/4"	324JM
50	3	H03301	12-1/2"	1-1/4"	326JM

NOTE 1: For an explanation of the tabulated material found on this page and for impeller key location, refer to **Supplement A** located at the beginning of this section.

NOTE 2: For seal flush line details, see **Supplement D**.



BERKELEY® B6JPBM

Cast Iron Impeller

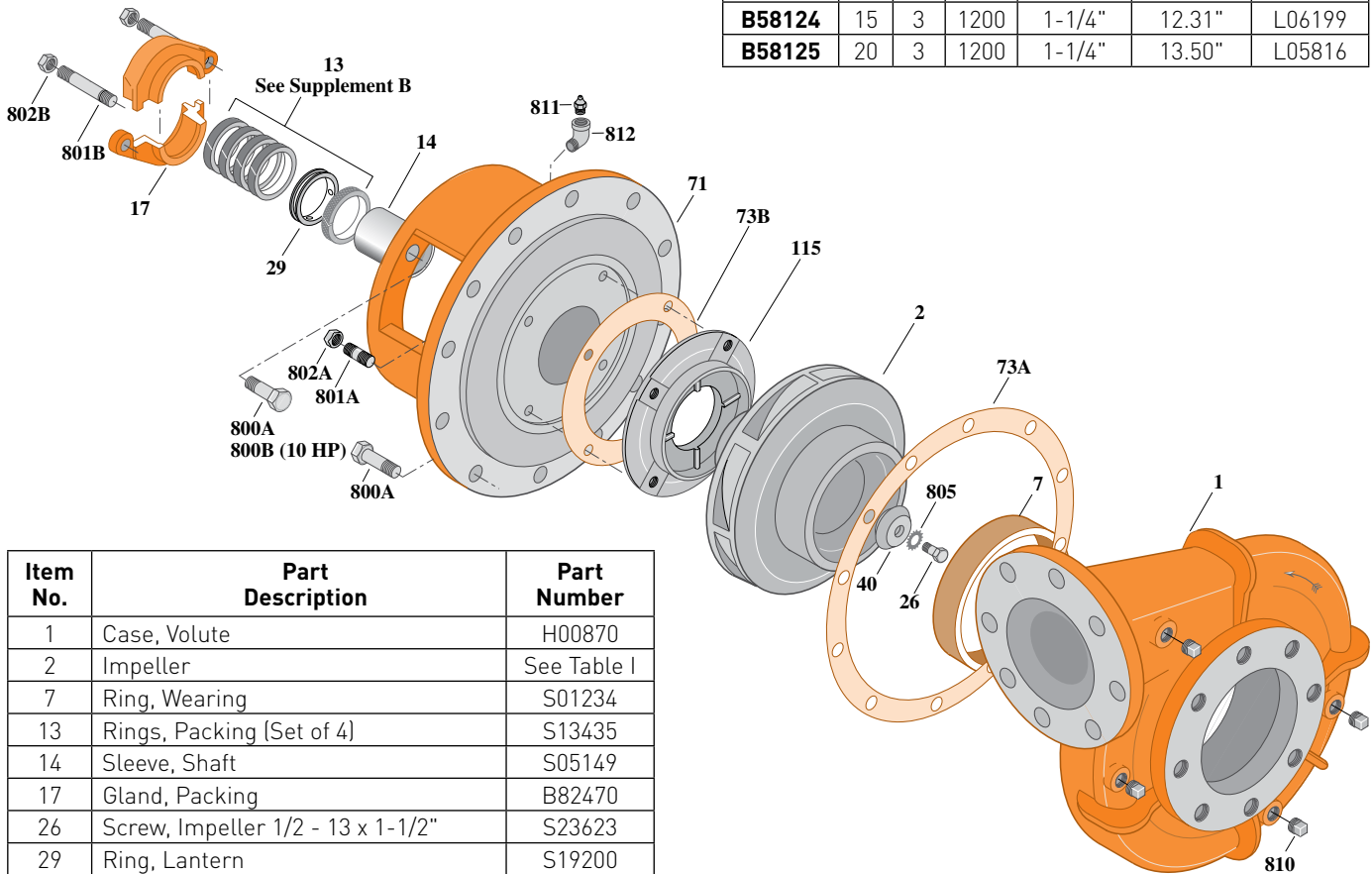
Flanged Case, Packing Construction

ELECTRIC MOTOR DRIVE

Section	CC
Page	380.1
Date	March 4, 2013
Supersedes 01/01/04	

Table I

B/M No.	HP	PH	RPM	"U" Dim.	Imp. Dia.	Imp. No.
B56757	10	3	1200	1-1/4"	10.94"	L06196
B58124	15	3	1200	1-1/4"	12.31"	L06199
B58125	20	3	1200	1-1/4"	13.50"	L05816



1771 0495

Item No.	Part Description	Part Number
1	Case, Volute	H00870
2	Impeller	See Table I
7	Ring, Wearing	S01234
13	Rings, Packing (Set of 4)	S13435
14	Sleeve, Shaft	S05149
17	Gland, Packing	B82470
26	Screw, Impeller 1/2 - 13 x 1-1/2"	S23623
29	Ring, Lantern	S19200
32	Key, 1/4 x 2-1/4" (See Note)	S23677
40	Deflector	S18117
71	Bracket	See Table II
73A	Gasket, Volute	S06271
73B	Gasket, Balance Ring	S09943
115	Ring, Balance	S12315
800A	Capscrew, 5/8 - 11 x 1-1/2" (12 Req.)	S26999
800B	Capscrew, 1/2 - 13 x 1-1/2" (4 Req.)	S26916
801A	Stud, 3/8 - 16 x 1-3/4" (4 Req.)	S23996
801B	Stud, 3/8 - 16 x 2-1/2" (2 Req.)	S04438
802A	Nut, Hex 3/8 - 16 (4 Req.)	S23103
802B	Nut, Hex 3/8 - 16 (2 Req.)	S23343
805	Washer, Lock	S23038
810	Plug, Pipe 1/2 NPT (4 Req.)	S23717
811	Fitting, Grease	S23700
812	Elbow, Street	S25421

Table II

HP	PH	Bracket No.	"AK" Fit	"U" Dim.	Motor Frame
10	3	H02384	8-1/2"	1-1/4"	256JP
15	3	H01601	12-1/2"	1-1/4"	284JP
20	3	H01601	12-1/2"	1-1/4"	286JP

NOTE: For an explanation of the tabulated material found on this page and for impeller key location, refer to **Supplement A** located at the beginning of this section.



BERKELEY® B6JPBM

Cast Iron Impeller

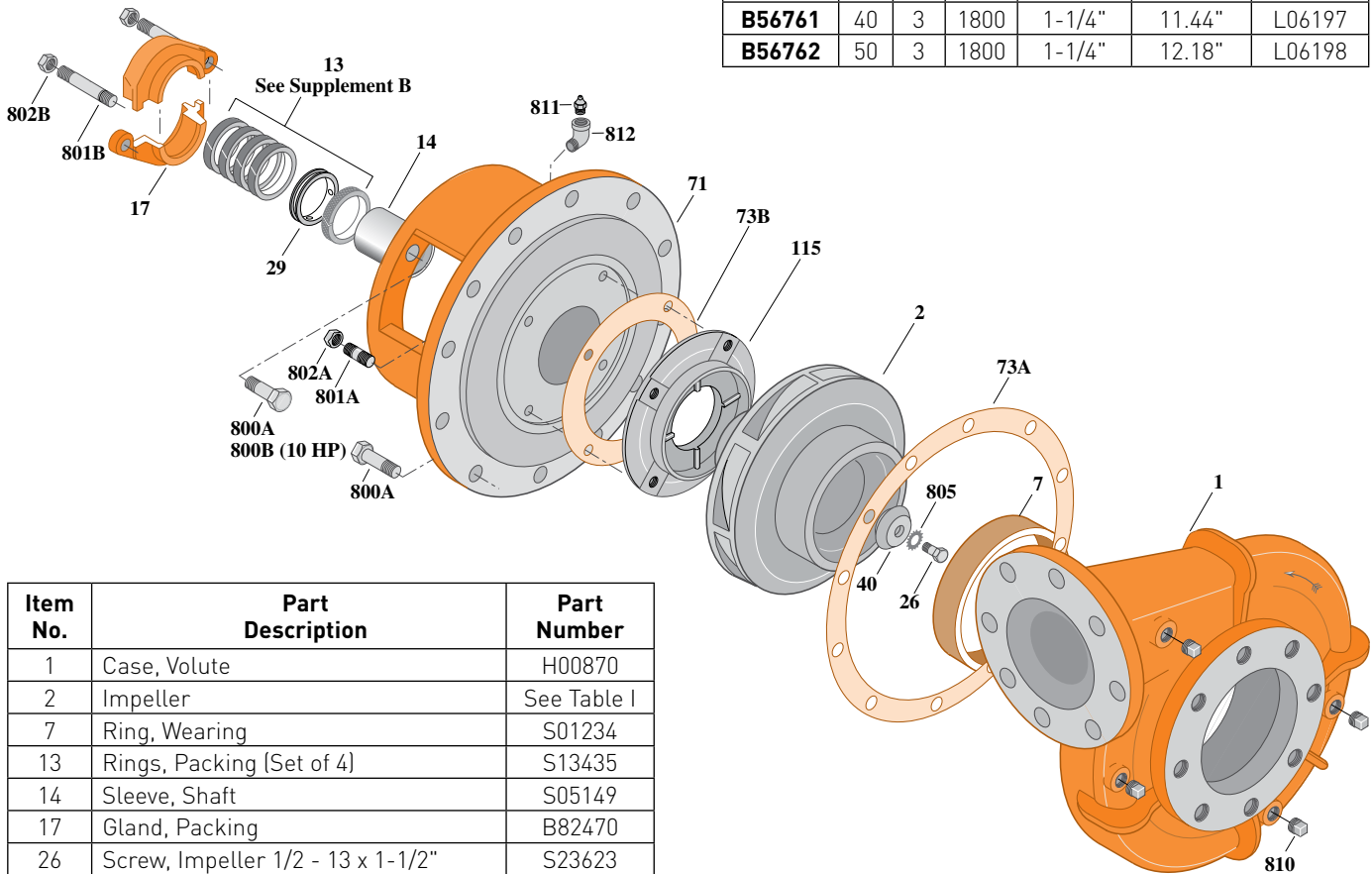
Flanged Case, Packing Construction

ELECTRIC MOTOR DRIVE

Section	CC
Page	380.2
Date	March 4, 2013
Supersedes 01/01/04	

Table I

B/M No.	HP	PH	RPM	"U" Dim.	Imp. Dia.	Imp. No.
B58126	30	3	1800	1-1/4"	10.44"	LO6200
B56761	40	3	1800	1-1/4"	11.44"	LO6197
B56762	50	3	1800	1-1/4"	12.18"	LO6198



Item No.	Part Description	Part Number
1	Case, Volute	H00870
2	Impeller	See Table I
7	Ring, Wearing	S01234
13	Rings, Packing (Set of 4)	S13435
14	Sleeve, Shaft	S05149
17	Gland, Packing	B82470
26	Screw, Impeller 1/2 - 13 x 1-1/2"	S23623
29	Ring, Lantern	S19200
32	Key, 1/4 x 2-1/4" (See Note)	S23677
40	Deflector	S18117
71	Bracket	See Table II
73A	Gasket, Volute	S06271
73B	Gasket, Balance Ring	S09943
115	Ring, Balance	S12315
800	Capscrew, 5/8 - 11 x 1-1/2" (16 Req.)	S26999
801A	Stud, 3/8 - 16 x 1-3/4" (4 Req.)	S23996
801B	Stud, 3/8 - 16 x 2-1/2" (2 Req.)	S04438
802A	Nut, Hex 3/8 - 16 (4 Req.)	S23103
802B	Nut, Hex 3/8 - 16 (2 Req.)	S23343
805	Washer, Lock	S23038
811	Fitting, Grease	S23700
810	Plug, Pipe 1/2 NPT (4 Req.)	S23717
812	Elbow, Street	S25421

Table II

HP	PH	Bracket No.	"AK" Fit	"U" Dim.	Motor Frame
30	3	H01601	12-1/2"	1-1/4"	286JP
40	3	H01601	12-1/2"	1-1/4"	324JP
50	3	H01601	12-1/2"	1-1/4"	326JP

NOTE: For an explanation of the tabulated material found on this page and for impeller key location, refer to **Supplement A** located at the beginning of this section.



BERKELEY® B6JPBM

Cast Iron Impeller

Flanged Case, Packing Construction

ELECTRIC MOTOR DRIVE

Section	CC
Page	380.3
Date	March 4, 2013
Supersedes 02/02/07	

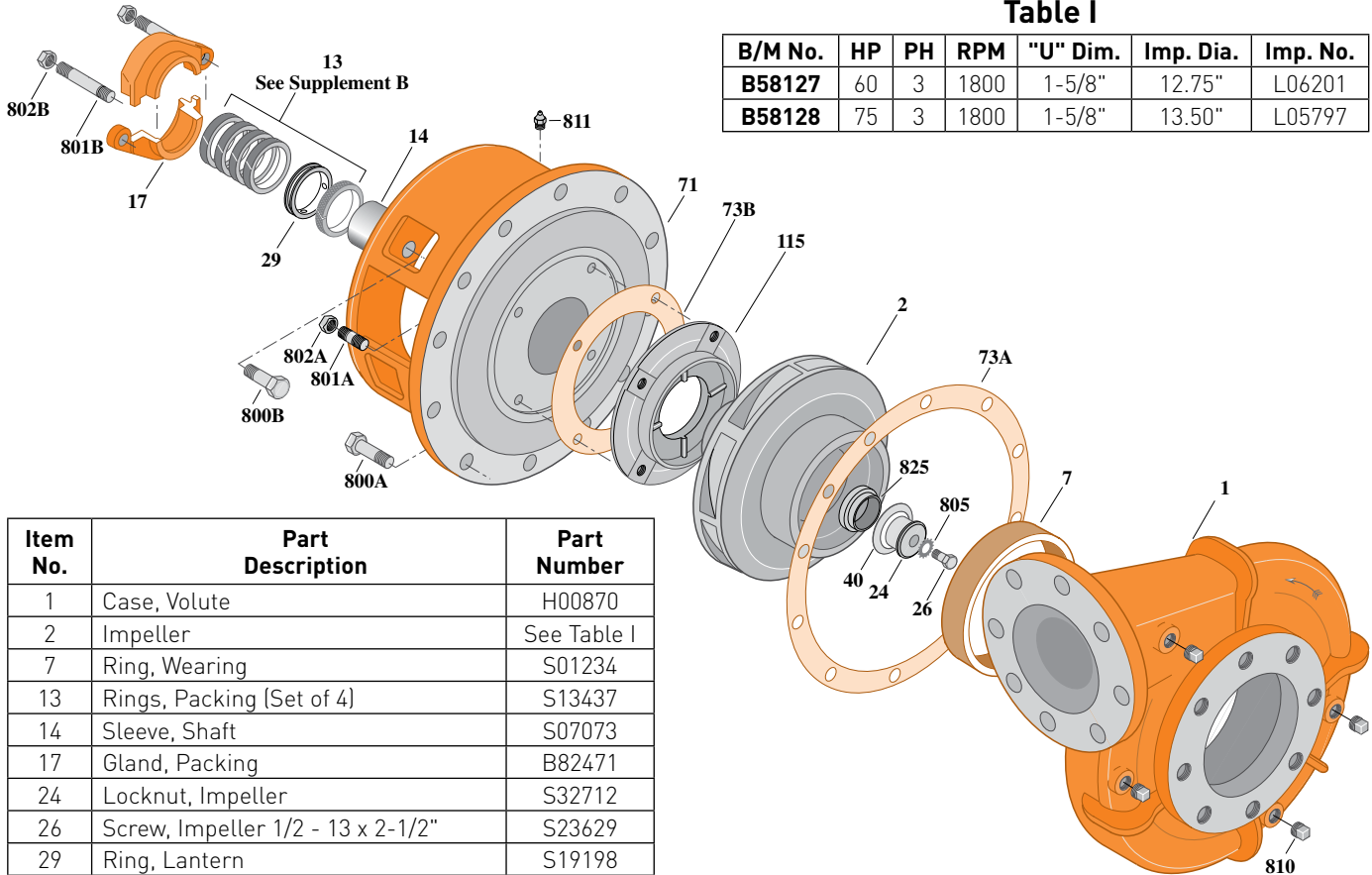


Table I

B/M No.	HP	PH	RPM	"U" Dim.	Imp. Dia.	Imp. No.
B58127	60	3	1800	1-5/8"	12.75"	L06201
B58128	75	3	1800	1-5/8"	13.50"	L05797

Item No.	Part Description	Part Number
1	Case, Volute	H00870
2	Impeller	See Table I
7	Ring, Wearing	S01234
13	Rings, Packing (Set of 4)	S13437
14	Sleeve, Shaft	S07073
17	Gland, Packing	B82471
24	Locknut, Impeller	S32712
26	Screw, Impeller 1/2 - 13 x 2-1/2"	S23629
29	Ring, Lantern	S19198
32	Key, 3/8 x 2-1/4" (See Note)	S23940
40	Deflector	S19864
71	Bracket	See Table II
73A	Gasket, Volute	S06271
73B	Gasket, Balance Ring	S09943
115	Ring, Balance	S12334
800A	Capscrew, 5/8 - 11 x 1-1/2" (12 Req.)	S26999
800B	Capscrew, 5/8 - 11 x 1-3/4" (4 Req.)	S27001
801A	Stud, 3/8 - 16 x 1-3/4" (4 Req.)	S23996
801B	Stud, 3/8 - 16 x 2-1/2" (2 Req.)	S04438
802A	Nut, Hex 3/8 - 16 (4 Req.)	S23103
802B	Nut, Hex 3/8 - 16 (2 Req.)	S23343
805	Washer, Lock	S23038
810A	Plug, Pipe 1/2 NPT (4 Req.)	S23717
810B	Plug, Pipe 1/4 NPT (2 Req.) (Not Illustrated)	S23715
811	Fitting, Grease	S23700
812	Elbow, Street	S25421
825	Sleeve, Impeller Locknut	S31661

Table II

HP	PH	Bracket No.	"AK" Fit	"U" Dim.	Motor Frame
60	3	H03622	12-1/2"	1-5/8"	364JP
75	3	H03622	12-1/2"	1-5/8"	365JP

NOTE: For an explanation of the tabulated material found on this page and for impeller key location, refer to **Supplement A** located at the beginning of this section.



BERKELEY® B6JPBMS

Cast Iron Impeller

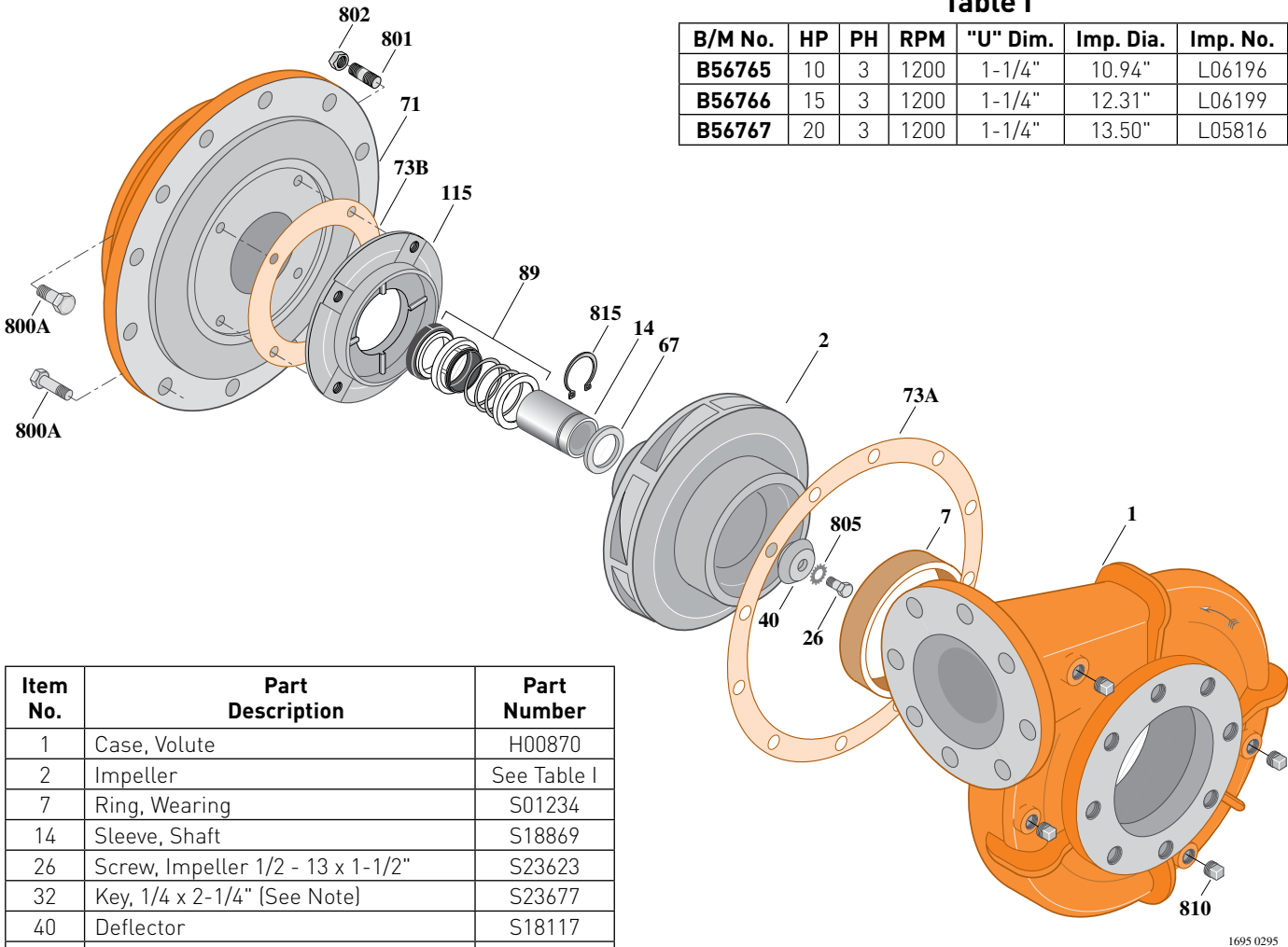
Flanged Case, Mechanical Shaft Seal Construction

ELECTRIC MOTOR DRIVE

Section	CC
Page	380.4
Date	March 4, 2013
Supersedes 01/01/04	

Table I

B/M No.	HP	PH	RPM	"U" Dim.	Imp. Dia.	Imp. No.
B56765	10	3	1200	1-1/4"	10.94"	L06196
B56766	15	3	1200	1-1/4"	12.31"	L06199
B56767	20	3	1200	1-1/4"	13.50"	L05816



Item No.	Part Description	Part Number
1	Case, Volute	H00870
2	Impeller	See Table I
7	Ring, Wearing	S01234
14	Sleeve, Shaft	S18869
26	Screw, Impeller 1/2 - 13 x 1-1/2"	S23623
32	Key, 1/4 x 2-1/4" (See Note)	S23677
40	Deflector	S18117
67	Ring, Spacer	S19349
71	Bracket	See Table II
73A	Gasket, Volute Case	S06271
73B	Gasket, Balance Ring	S09943
89	Seal, Mechanical Shaft	S32015
115	Ring, Balance	S19105
800A	Cap screw, 5/8 - 11 x 1-1/2" (12 Req.-8-1/2 AK; 16 Req.-12-1/2 AK)	S26999
800B	Cap screw, 1/2 - 13 x 1-1/2" (4 Req.) (8-1/2 AK Only)	S26916
801	Stud, 3/8 - 16 x 1-1/2" (4 Req.)	S23995
802	Nut, 3/8 - 16 (4 Req.)	S23103
805	Washer, Lock	S23038
810	Plug, Pipe 1/2 NPT (4 Req.)	S23717
815	Ring, Retaining	S16767

Table II

HP	PH	Bracket No.	"AK" Fit	"U" Dim.	Motor Frame
10	3	H03300	8-1/2"	1-1/4"	256JM
15	3	H03301	12-1/2"	1-1/4"	284JM
20	3	H03301	12-1/2"	1-1/4"	286JM

NOTE: For an explanation of the tabulated material found on this page and for impeller key location, refer to **Supplement A** located at the beginning of this section.



BERKELEY® B6JPBMS

Cast Iron Impeller

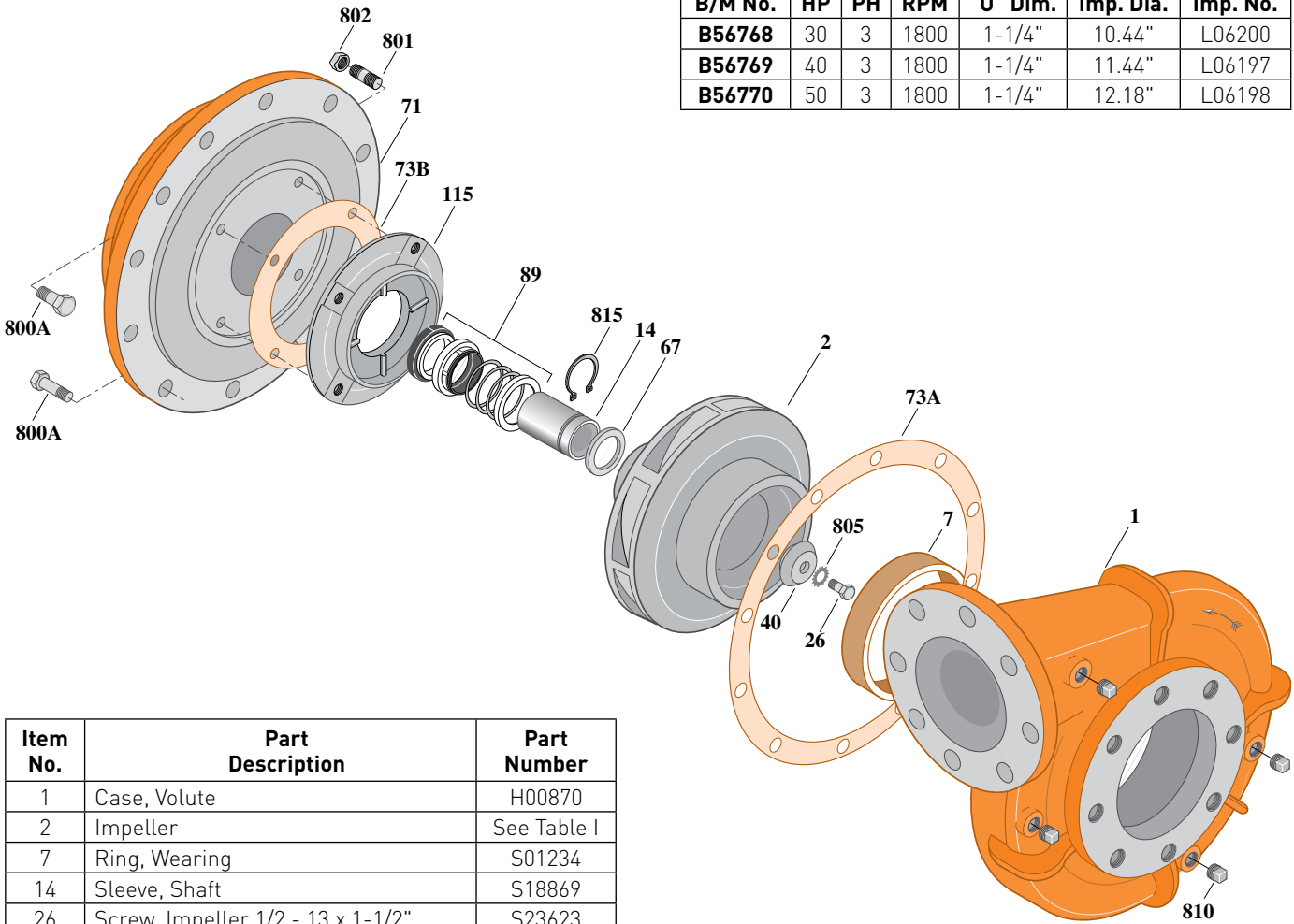
Flanged Case, Mechanical Shaft Seal Construction

ELECTRIC MOTOR DRIVE

Section	CC
Page	380.5
Date	March 4, 2013
Supersedes 01/01/04	

Table I

B/M No.	HP	PH	RPM	"U" Dim.	Imp. Dia.	Imp. No.
B56768	30	3	1800	1-1/4"	10.44"	L06200
B56769	40	3	1800	1-1/4"	11.44"	L06197
B56770	50	3	1800	1-1/4"	12.18"	L06198



1695 0295

Item No.	Part Description	Part Number
1	Case, Volute	H00870
2	Impeller	See Table I
7	Ring, Wearing	S01234
14	Sleeve, Shaft	S18869
26	Screw, Impeller 1/2 - 13 x 1-1/2"	S23623
32	Key, 1/4 x 2-1/4" (See Note)	S23677
40	Deflector	S18117
67	Ring, Spacer	S19349
71	Bracket	See Table II
73A	Gasket, Volute Case	S06271
73B	Gasket, Balance Ring	S09943
89	Seal, Mechanical Shaft	S32015
115	Ring, Balance	S19105
800A	Capscrew, 5/8 - 11 x 1-1/2" (16 Req.)	S26999
801	Stud, 3/8 - 16 x 1-1/2" (4 Req.)	S23995
802	Nut, 3/8 - 16 (4 Req.)	S23103
805	Washer, Lock	S23038
810	Plug, Pipe 1/2 NPT (4 Req.)	S23717
815	Ring, Retaining	S16767

Table II

HP	PH	Bracket No.	"AK" Fit	"U" Dim.	Motor Frame
30	3	H03301	12-1/2"	1-1/4"	286JM
40	3	H03301	12-1/2"	1-1/4"	324JM
50	3	H03301	12-1/2"	1-1/4"	326JM

NOTE: For an explanation of the tabulated material found on this page and for impeller key location, refer to **Supplement A** located at the beginning of this section.



BERKELEY® B6JPBMS

Cast Iron Impeller

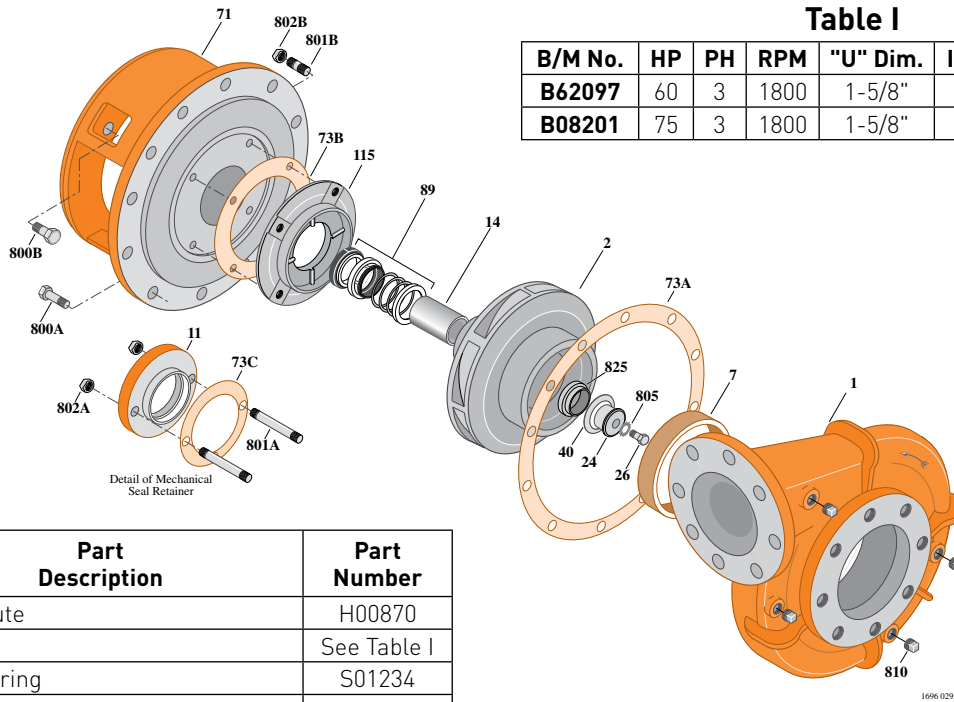
Flanged Case, Mechanical Shaft Seal Construction

ELECTRIC MOTOR DRIVE

Section	CC
Page	380.6
Date	March 4, 2013
Supersedes 02/02/07	

Table I

B/M No.	HP	PH	RPM	"U" Dim.	Imp. Dia.	Imp. No.
B62097	60	3	1800	1-5/8"	12.75"	L06201
B08201	75	3	1800	1-5/8"	13.50"	L05797



Item No.	Part Description	Part Number
1	Case, Volute	H00870
2	Impeller	See Table I
7	Ring, Wearing	S01234
11	Retainer, Mechanical Shaft Seal	S15377
14	Sleeve, Shaft	S07073
24	Locknut, Impeller	S32712
26	Screw, Impeller 1/2 - 13 x 2-1/2"	S23629
32	Key, 3/8 x 2-1/4" (See Note)	S23940
40	Deflector	S19864
71	Bracket	See Table II
73A	Gasket, Volute Case	S06271
73B	Gasket, Balance Ring	S09943
73C	Gasket, Seal Retainer	S15078
89	Seal, Mechanical Shaft	S32016
115	Ring, Balance	S12334
800A	Capscrew, 5/8 - 11 x 1-1/2" (12 Req.)	S26999
800B	Capscrew, 5/8 - 11 x 1-3/4" (4 Req.)	S27001
801A	Stud, 3/8 - 16 x 2-1/2" (2 Req.)	S04438
802A	Nut, 3/8 - 16 (2 Req.)	S23343
801B	Stud, 3/8 - 16 x 1-3/4" (4 Req.)	S23996
802B	Nut, 3/8 - 16 (4 Req.)	S23103
805	Washer, Lock	S23038
810	Plug, Pipe 1/2 NPT (4 Req.)	S23717
820	Connector, Comp. Fitting (2 Req.)	S24013
822	Tubing, Copper	S20677
825	Sleeve, Impeller Locknut	S31661
•	Plug, Pipe 1/8 NPT (Not Illustrated)	S23714
•	Plug, Pipe 1/4 NPT (Not Illustrated)	S23715

Table II

HP	PH	Bracket No.	"AK" Fit	"U" Dim.	Motor Frame
60	3	H03936	12-1/2"	1-5/8"	364JP
75	3	H03936	12-1/2"	1-5/8"	365JP

NOTE: For an explanation of the tabulated material found on this page and for impeller key location, refer to **Supplement A** located at the beginning of this section.



BERKELEY® B6JPBM

Silicon Bronze Impeller

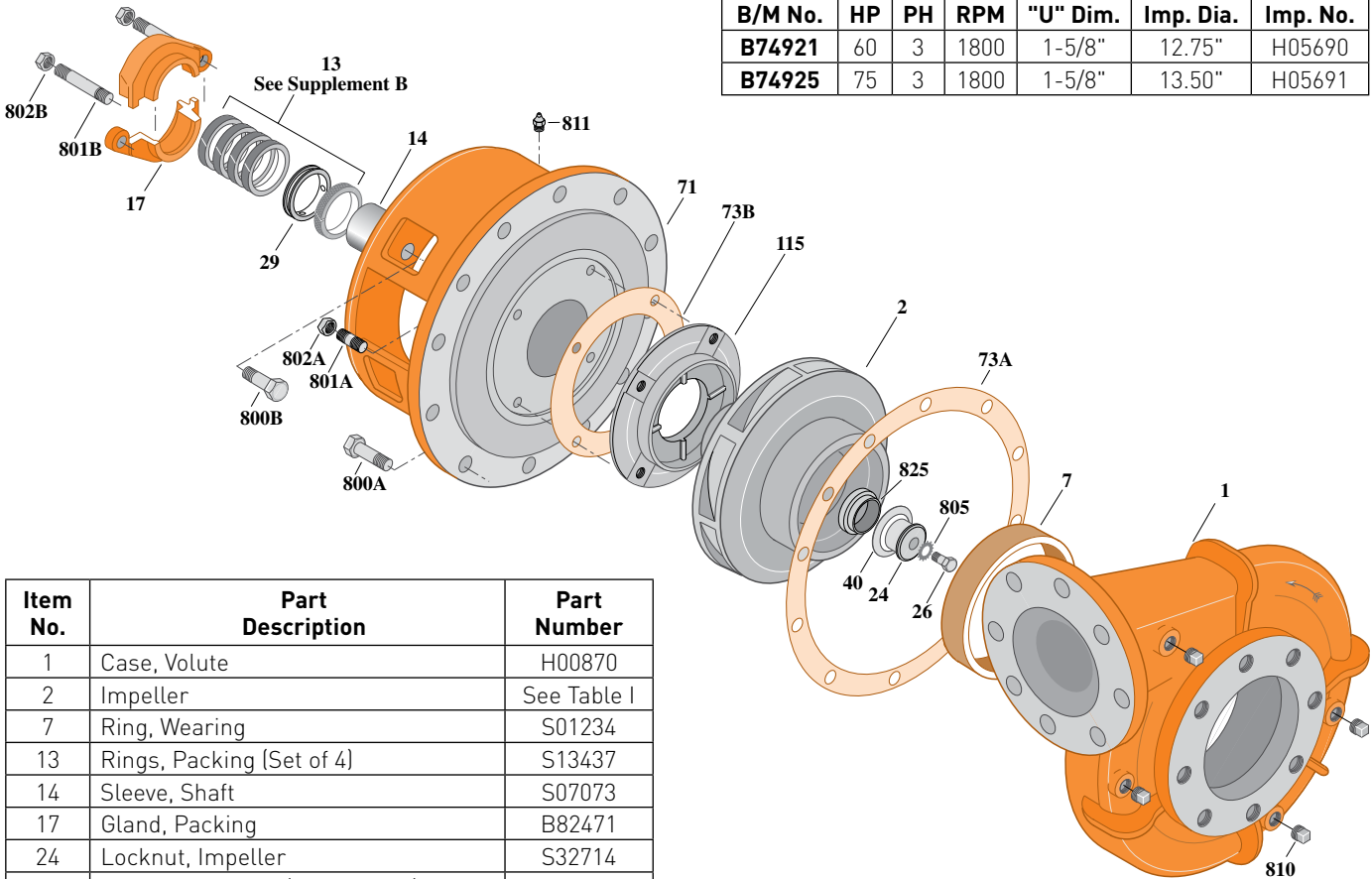
Flanged Case, Packing Construction

ELECTRIC MOTOR DRIVE

Section	CC
Page	380.7
Date	March 4, 2013
Supersedes 02/02/07	

Table I

B/M No.	HP	PH	RPM	"U" Dim.	Imp. Dia.	Imp. No.
B74921	60	3	1800	1-5/8"	12.75"	H05690
B74925	75	3	1800	1-5/8"	13.50"	H05691



1772 0495

Item No.	Part Description	Part Number
1	Case, Volute	H00870
2	Impeller	See Table I
7	Ring, Wearing	S01234
13	Rings, Packing [Set of 4]	S13437
14	Sleeve, Shaft	S07073
17	Gland, Packing	B82471
24	Locknut, Impeller	S32714
26	Screw, Impeller 1/2 - 13 x 2-1/2"	S23629
29	Ring, Lantern	S19198
32	Key, 3/8 x 2-1/4" [See Note]	S23940
40	Deflector	S19864
71	Bracket	See Table II
73A	Gasket, Volute	S06271
73B	Gasket, Balance Ring	S09943
115	Ring, Balance	S12334
800A	Capscrew, 5/8 - 11 x 1-1/2" [12 Req.]	S26999
800B	Capscrew, 5/8 - 11 x 1-3/4" [4 Req.]	S27001
801A	Stud, 3/8 - 16 x 1-3/4" [4 Req.]	S23996
801B	Stud, 3/8 - 16 x 2-1/2" [2 Req.]	S04438
802A	Nut, Hex 3/8 - 16 [4 Req.]	S23103
802B	Nut, Hex 3/8 - 16 [2 Req.]	S23343
805	Washer, Lock	S23038
810	Plug, Pipe 1/2" NPT [4 Req.]	S23717
811	Fitting, Grease	S23700
825	Sleeve, Impeller Locknut	S31661

Table II

HP	PH	Bracket No.	"AK" Fit	"U" Dim.	Motor Frame
60	3	H03622	12-1/2"	1-5/8"	364JP
75	3	H03622	12-1/2"	1-5/8"	365JP

NOTE: For an explanation of the tabulated material found on this page and for impeller key location, refer to **Supplement A** located at the beginning of this section.



BERKELEY® B6JPBMS Silicon Bronze Impeller

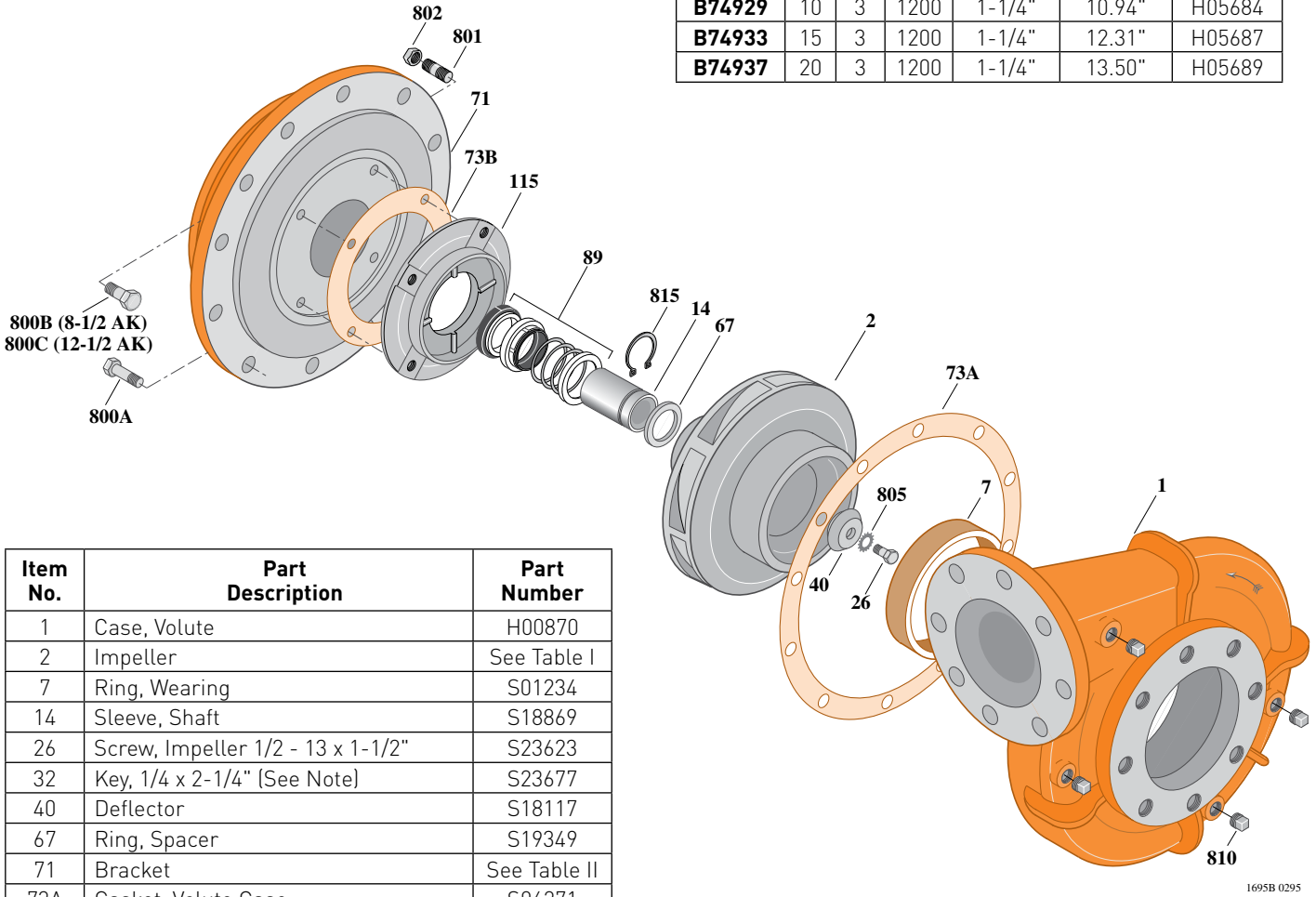
Flanged Case, Mechanical Shaft Seal Construction

ELECTRIC MOTOR DRIVE

Section	CC
Page	380.8
Date	March 4, 2013
Supersedes 01/01/04	

Table I

B/M No.	HP	PH	RPM	"U" Dim.	Imp. Dia.	Imp. No.
B74929	10	3	1200	1-1/4"	10.94"	H05684
B74933	15	3	1200	1-1/4"	12.31"	H05687
B74937	20	3	1200	1-1/4"	13.50"	H05689



Item No.	Part Description	Part Number
1	Case, Volute	H00870
2	Impeller	See Table I
7	Ring, Wearing	S01234
14	Sleeve, Shaft	S18869
26	Screw, Impeller 1/2 - 13 x 1-1/2"	S23623
32	Key, 1/4 x 2-1/4" (See Note)	S23677
40	Deflector	S18117
67	Ring, Spacer	S19349
71	Bracket	See Table II
73A	Gasket, Volute Case	S06271
73B	Gasket, Balance Ring	S09943
89	Seal, Mechanical Shaft	S32015
115	Ring, Balance	S19105
800A	Capscrew, 5/8 - 11 x 1-1/2" (12 Req.)	S26999
800B	Capscrew, 1/2 - 13 x 1-1/2" (4 Req.)	S26916
800C	Capscrew, 5/8 - 11 x 1-1/2" (4 Req.)	S26999
801	Stud, 3/8 - 16 x 1-1/2" (4 Req.)	S23995
802	Nut, 3/8 - 16 (4 Req.)	S23103
805	Washer, Lock	S23038
810	Plug, Pipe 1/2" NPT (4 Req.)	S23717
815	Ring, Retaining	S16767
•	Plug, Pipe 1/8" NPT (In Bracket)	S23714

• Not illustrated.

Table II

HP	PH	Bracket No.	"AK" Fit	"U" Dim.	Motor Frame
10	3	H03300	8-1/2"	1-1/4"	256JM
15	3	H03301	12-1/2"	1-1/4"	284JM
20	3	H03301	12-1/2"	1-1/4"	286JM

NOTE 1: For an explanation of the tabulated material found on this page and for impeller key location, refer to **Supplement A** located at the beginning of this section.

NOTE 2: For seal flush line details, see **Supplement D**.



BERKELEY® B6JPBM

Silicon Bronze Impeller

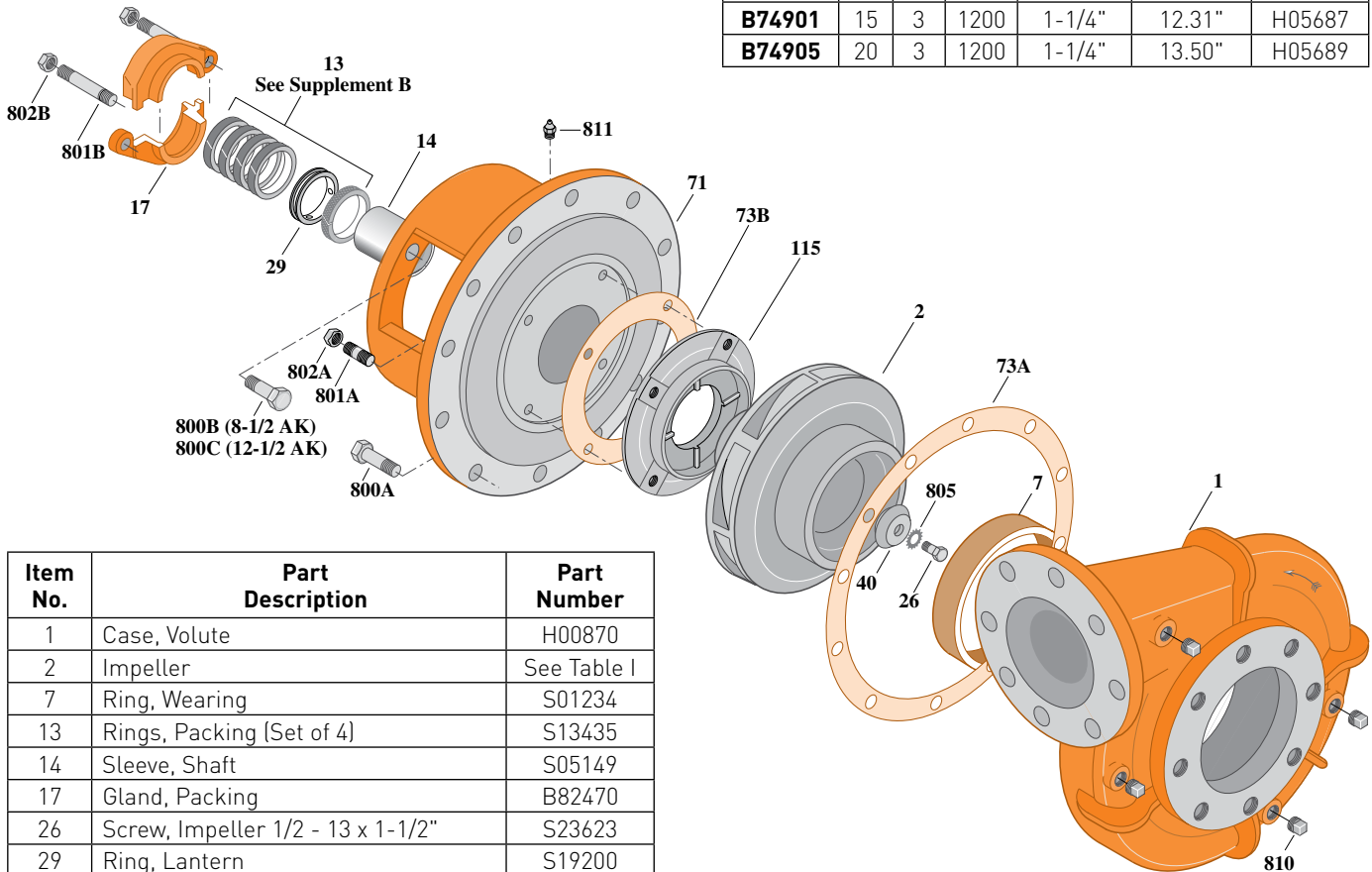
Flanged Case, Packing Construction

ELECTRIC MOTOR DRIVE

Section	CC
Page	380.9
Date	March 4, 2013
Supersedes 01/01/04	

Table I

B/M No.	HP	PH	RPM	"U" Dim.	Imp. Dia.	Imp. No.
B74897	10	3	1200	1-1/4"	10.94"	H05684
B74901	15	3	1200	1-1/4"	12.31"	H05687
B74905	20	3	1200	1-1/4"	13.50"	H05689



1771B 0495

Item No.	Part Description	Part Number
1	Case, Volute	H00870
2	Impeller	See Table I
7	Ring, Wearing	S01234
13	Rings, Packing (Set of 4)	S13435
14	Sleeve, Shaft	S05149
17	Gland, Packing	B82470
26	Screw, Impeller 1/2 - 13 x 1-1/2"	S23623
29	Ring, Lantern	S19200
32	Key, 1/4 x 2-1/4" (See Note)	S23677
40	Deflector	S18117
71	Bracket	See Table II
73A	Gasket, Volute	S06271
73B	Gasket, Balance Ring	S09943
115	Ring, Balance	S12315
800A	Capscrew, 5/8 - 11 x 1-1/2" (12 Req.)	S26999
800B	Capscrew, 1/2 - 13 x 1-1/2" (4 Req.)	S26916
800C	Capscrew, 5/8 - 11 x 1-1/2" (4 Req.)	S26999
801A	Stud, 3/8 - 16 x 1-3/4" (4 Req.)	S23996
801B	Stud, 3/8 - 16 x 2-1/2" (2 Req.)	S04438
802A	Nut, Hex 3/8 - 16 (4 Req.)	S23103
802B	Nut, Hex 3/8 - 16 (2 Req.)	S23343
805	Washer, Lock	S23038
810	Plug, Pipe 1/2" NPT (4 Req.)	S23717
811	Fitting, Grease	S23700

Table II

HP	PH	Bracket No.	"AK" Fit	"U" Dim.	Motor Frame
10	3	H02384	8-1/2"	1-1/4"	256JP
15	3	H01601	12-1/2"	1-1/4"	284JP
20	3	H01601	12-1/2"	1-1/4"	286JP

NOTE: For an explanation of the tabulated material found on this page and for impeller key location, refer to **Supplement A** located at the beginning of this section.



BERKELEY® B6JPBM

Silicon Bronze Impeller

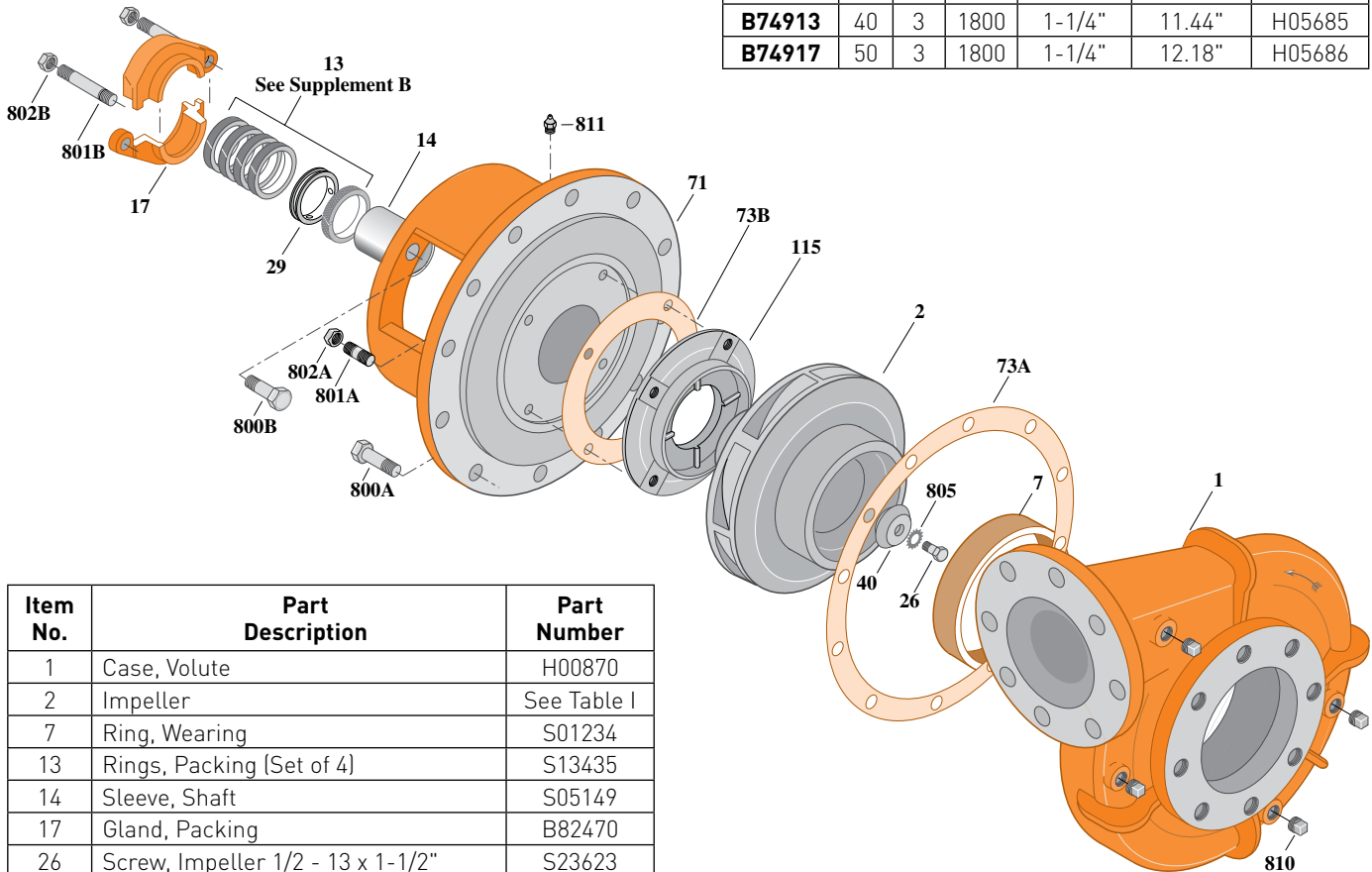
Flanged Case, Packing Construction

ELECTRIC MOTOR DRIVE

Section	CC
Page	380.10
Date	March 4, 2013
Supersedes 01/01/04	

Table I

B/M No.	HP	PH	RPM	"U" Dim.	Imp. Dia.	Imp. No.
B74909	30	3	1800	1-1/4"	10.44"	H05682
B74913	40	3	1800	1-1/4"	11.44"	H05685
B74917	50	3	1800	1-1/4"	12.18"	H05686



1771A 0495

Item No.	Part Description	Part Number
1	Case, Volute	H00870
2	Impeller	See Table I
7	Ring, Wearing	S01234
13	Rings, Packing (Set of 4)	S13435
14	Sleeve, Shaft	S05149
17	Gland, Packing	B82470
26	Screw, Impeller 1/2 - 13 x 1-1/2"	S23623
29	Ring, Lantern	S19200
32	Key, 1/4 x 2-1/4" (See Note)	S23677
40	Deflector	S18117
71	Bracket	See Table II
73A	Gasket, Volute	S06271
73B	Gasket, Balance Ring	S09943
115	Ring, Balance	S12315
800A	Capscrew, 5/8 - 11 x 1-1/2" (12 Req.)	S26999
800B	Capscrew, 5/8 - 11 x 1-1/2" (4 Req.)	S26999
801A	Stud, 3/8 - 16 x 1-3/4" (4 Req.)	S23996
801B	Stud, 3/8 - 16 x 2-1/2" (2 Req.)	S04438
802A	Nut, Hex 3/8 - 16 (4 Req.)	S23103
802B	Nut, Hex 3/8 - 16 (2 Req.)	S23343
805	Washer, Lock	S23038
810	Plug, Pipe 1/2" NPT (4 Req.)	S23717
811	Fitting, Grease	S23700

Table II

HP	PH	Bracket No.	"AK" Fit	"U" Dim.	Motor Frame
30	3	H01601	12-1/2"	1-1/4"	286JP
40	3	H01601	12-1/2"	1-1/4"	324JP
50	3	H01601	12-1/2"	1-1/4"	326JP

NOTE: For an explanation of the tabulated material found on this page and for impeller key location, refer to **Supplement A** located at the beginning of this section.



BERKELEY® B6JPBMS Silicon Bronze Impeller

Flanged Case, Mechanical Shaft Seal Construction

ELECTRIC MOTOR DRIVE

Section	CC
Page	380.11
Date	March 4, 2013
Supersedes 01/01/04	

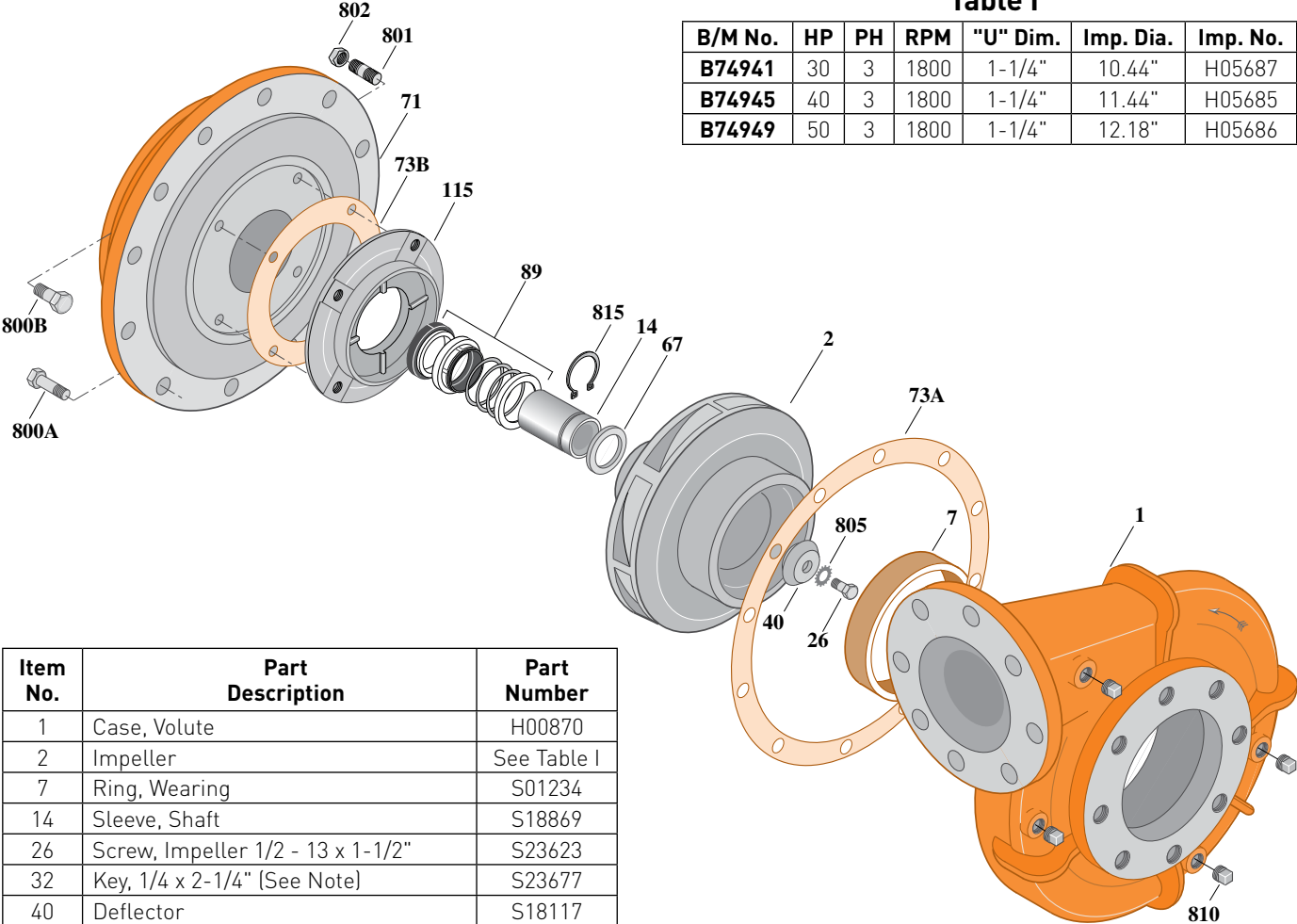


Table I

B/M No.	HP	PH	RPM	"U" Dim.	Imp. Dia.	Imp. No.
B74941	30	3	1800	1-1/4"	10.44"	H05687
B74945	40	3	1800	1-1/4"	11.44"	H05685
B74949	50	3	1800	1-1/4"	12.18"	H05686

Item No.	Part Description	Part Number
1	Case, Volute	H00870
2	Impeller	See Table I
7	Ring, Wearing	S01234
14	Sleeve, Shaft	S18869
26	Screw, Impeller 1/2 - 13 x 1-1/2"	S23623
32	Key, 1/4 x 2-1/4" (See Note)	S23677
40	Deflector	S18117
67	Ring, Spacer	S19349
71	Bracket	See Table II
73A	Gasket, Volute Case	S06271
73B	Gasket, Balance Ring	S09943
89	Seal, Mechanical Shaft	S32015
115	Ring, Balance	S19105
800A	Capscrew, 5/8 - 11 x 1-1/2" (12 Req.)	S26999
800B	Capscrew, 5/8 - 11 x 1-1/2" (4 Req.)	S26999
801	Stud, 3/8 - 16 x 1-1/2" (4 Req.)	S23995
802	Nut, 3/8 - 16 (4 Req.)	S23103
805	Washer, Lock	S23038
810	Plug, Pipe 1/2" NPT (4 Req.)	S23717
815	Ring, Retaining	S16767
•	Plug, Pipe 1/8" NPT (In Bracket)	S23714

• Not illustrated.

Table II

HP	PH	Bracket No.	"AK" Fit	"U" Dim.	Motor Frame
30	3	H03301	12-1/2"	1-1/4"	286JM
40	3	H03301	12-1/2"	1-1/4"	324JM
50	3	H03301	12-1/2"	1-1/4"	326JM

NOTE 1: For an explanation of the tabulated material found on this page and for impeller key location, refer to **Supplement A** located at the beginning of this section.

NOTE 2: For seal flush line details, see **Supplement D**.



BERKELEY® B6JPBMS Silicon Bronze Impeller

Flanged Case, Mechanical Shaft Seal Construction

ELECTRIC MOTOR DRIVE

Section	CC
Page	380.12
Date	March 4, 2013
Supersedes 02/02/07	

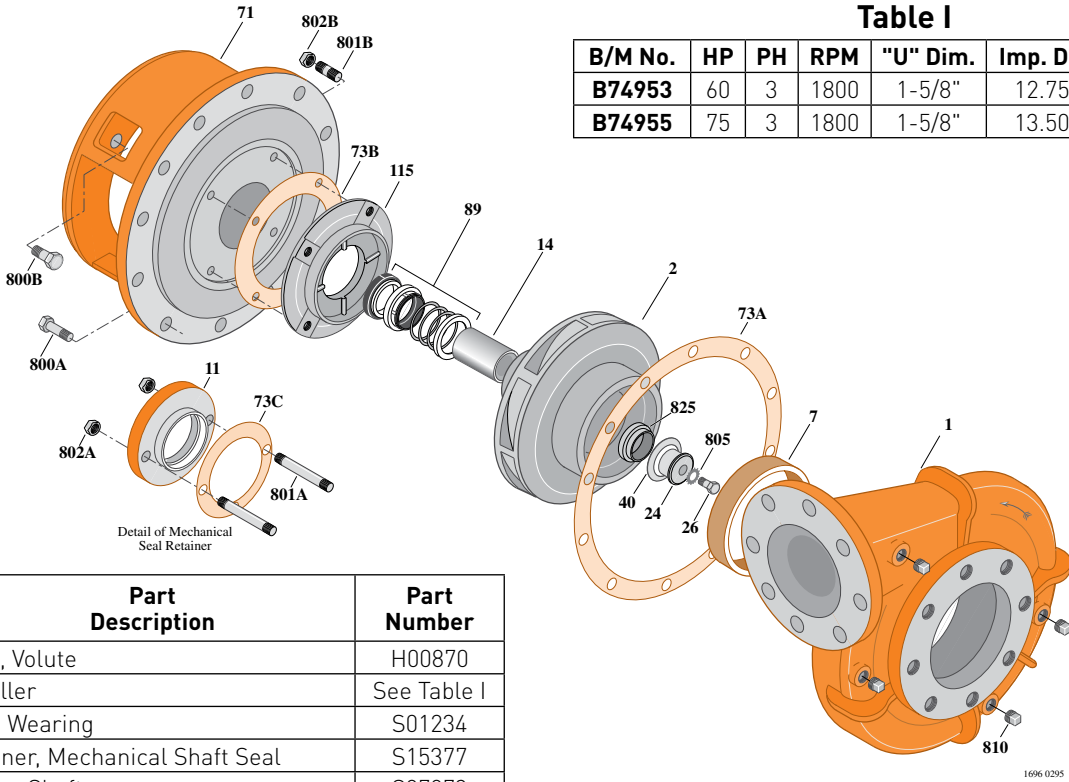


Table I

B/M No.	HP	PH	RPM	"U" Dim.	Imp. Dia.	Imp. No.
B74953	60	3	1800	1-5/8"	12.75"	H05690
B74955	75	3	1800	1-5/8"	13.50"	H05691

Item No.	Part Description	Part Number
1	Case, Volute	H00870
2	Impeller	See Table I
7	Ring, Wearing	S01234
11	Retainer, Mechanical Shaft Seal	S15377
14	Sleeve, Shaft	S07073
24	Locknut, Impeller	S32712
26	Screw, Impeller 1/2 - 13 x 2-1/2"	S23629
32	Key, 3/8 x 2-1/4" (See Note)	S23940
40	Deflector	S19864
71	Bracket	See Table II
73A	Gasket, Volute Case	S06271
73B	Gasket, Balance Ring	S09943
73C	Gasket, Seal Retainer	S15078
89	Seal, Mechanical Shaft	S32016
115	Ring, Balance	S12334
800A	Capscrew, 5/8 - 11 x 1-1/2" (12 Req.)	S26999
800B	Capscrew, 5/8 - 11 x 1-3/4" (4 Req.)	S27001
801A	Stud, 3/8 - 16 x 2-1/2" (2 Req.)	S04438
802A	Nut, 3/8 - 16 (2 Req.)	S23343
801B	Stud, 3/8 - 16 x 1-3/4" (4 Req.)	S23996
802B	Nut, 3/8 - 16 (4 Req.)	S23103
805	Washer, Lock	S23038
810	Plug, Pipe 1/2" NPT (4 Req.)	S23717
825	Sleeve, Impeller Locknut	S31661
•	Plug, Pipe 1/8" NPT (In Bracket) (2 Req.)	S23714

Table II

HP	PH	Bracket No.	"AK" Fit	"U" Dim.	Motor Frame
60	3	H03936	12-1/2"	1-5/8"	364JP
75	3	H03936	12-1/2"	1-5/8"	365JP

NOTE 1: For an explanation of the tabulated material found on this page and for impeller key location, refer to **Supplement A** located at the beginning of this section.

NOTE 2: For seal flush line details, see **Supplement D**.

• Not illustrated.



BERKELEY® B6JPBH

Cast Iron Impeller

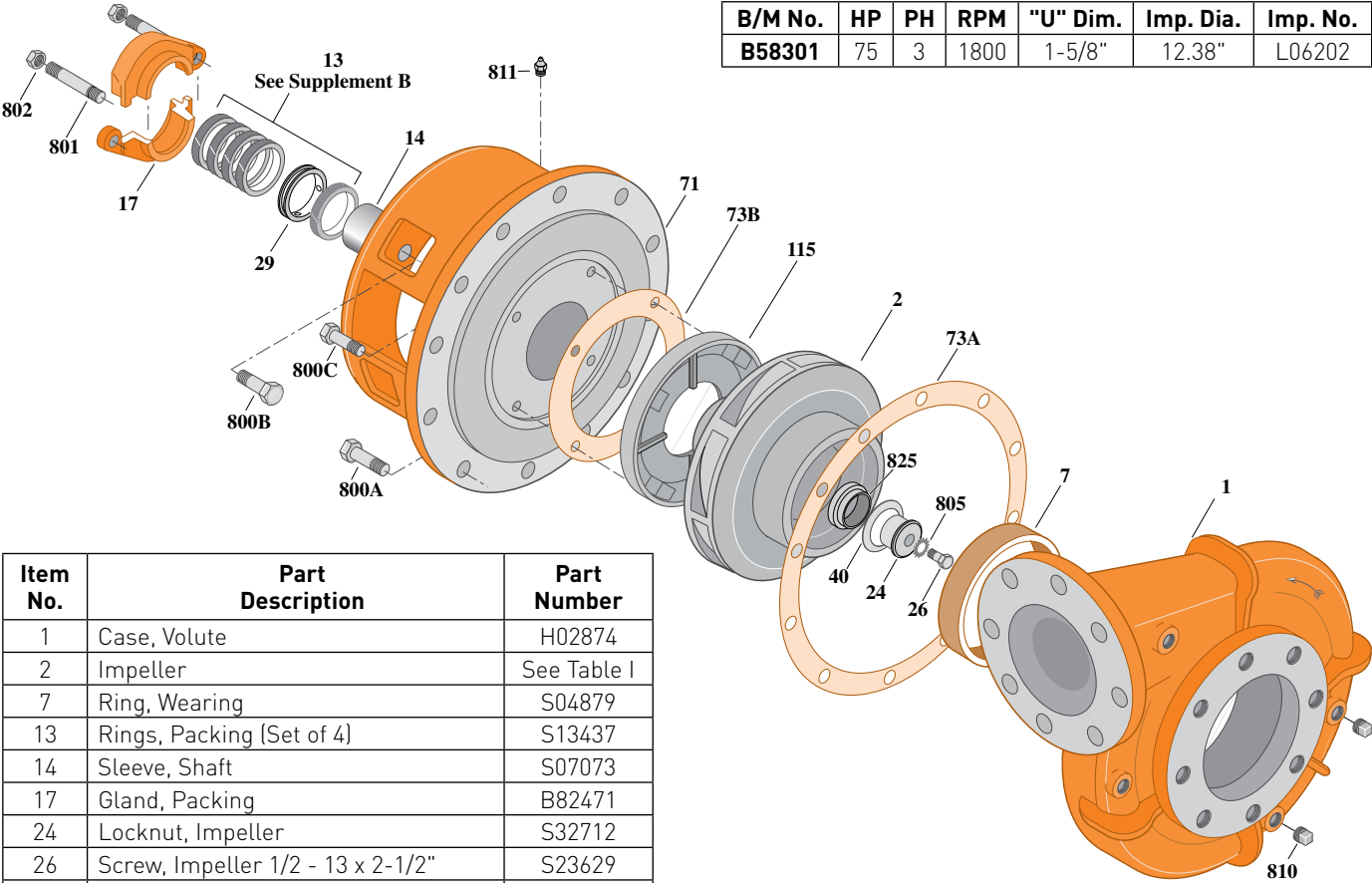
Flanged Case, Packing Construction

ELECTRIC MOTOR DRIVE

Section	CC
Page	390.1
Date	March 4, 2013
Supersedes 02/02/07	

Table I

B/M No.	HP	PH	RPM	"U" Dim.	Imp. Dia.	Imp. No.
B58301	75	3	1800	1-5/8"	12.38"	L06202



1773 0495

Item No.	Part Description	Part Number
1	Case, Volute	H02874
2	Impeller	See Table I
7	Ring, Wearing	S04879
13	Rings, Packing (Set of 4)	S13437
14	Sleeve, Shaft	S07073
17	Gland, Packing	B82471
24	Locknut, Impeller	S32712
26	Screw, Impeller 1/2 - 13 x 2-1/2"	S23629
29	Ring, Lantern	S19198
32	Key, 3/8 x 2-1/4" (See Note)	S23940
40	Deflector	S19864
71	Bracket	See Table II
73A	Gasket, Volute	S06271
73B	Gasket, Balance Ring	S09943
115	Ring, Balance	M06114
800A	Capscrew, 5/8 - 11 x 1-1/2" (12 Req.)	S26999
800B	Capscrew, 5/8 - 11 x 1-3/4" (4 Req.)	S27001
800C	Capscrew, 3/8 - 16 x 1-1/2" (4 Req.)	S26830
801	Stud, 3/8 - 16 x 2-1/2" (2 Req.)	S04438
802	Nut, Hex 3/8 - 16 (2 Req.)	S23343
805	Washer, Lock	S23038
810B	Plug, Pipe 1/4 NPT (Not Illustrated)	S23715
810A	Plug, Pipe 1/2 NPT (4 Req.)	S23717
811	Fitting, Grease	S23700
812	Elbow, Street	S25421
825	Sleeve, Impeller Locknut	S31661

Table II

HP	PH	Bracket No.	"AK" Fit	"U" Dim.	Motor Frame
75	3	H03622	12-1/2"	1-5/8"	365JP

NOTE: For an explanation of the tabulated material found on this page and for impeller key location, refer to **Supplement A** located at the beginning of this section.



BERKELEY® B6JPBH

Cast Iron Impeller

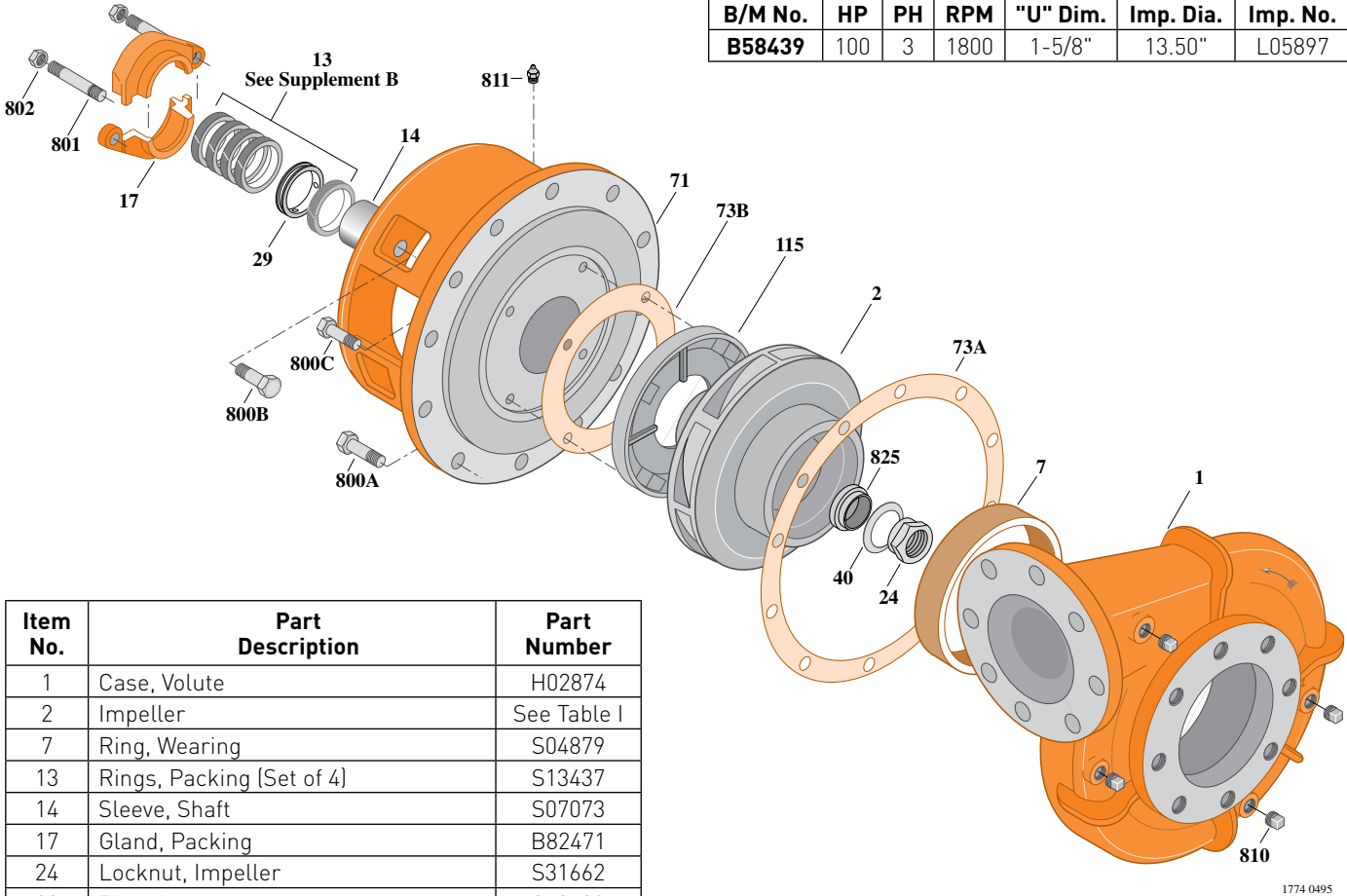
Flanged Case, Packing Construction

ELECTRIC MOTOR DRIVE

Section	CC
Page	390.2
Date	March 4, 2013
Supersedes 02/02/07	

Table I

B/M No.	HP	PH	RPM	"U" Dim.	Imp. Dia.	Imp. No.
B58439	100	3	1800	1-5/8"	13.50"	L05897



Item No.	Part Description	Part Number
1	Case, Volute	H02874
2	Impeller	See Table I
7	Ring, Wearing	S04879
13	Rings, Packing (Set of 4)	S13437
14	Sleeve, Shaft	S07073
17	Gland, Packing	B82471
24	Locknut, Impeller	S31662
29	Ring, Lantern	S19198
32	Key, 3/8 x 2-1/4" (See Note)	S23940
40	Deflector	S19864
71	Bracket	See Table II
73A	Gasket, Volute	S06271
73B	Gasket, Balance Ring	S09943
115	Ring, Balance	M06114
800A	Capscrew, 5/8 - 11 x 1-1/2" (12 Req.)	S26999
800B	Capscrew, 5/8 - 11 x 1-3/4" (4 Req.)	S27001
800C	Capscrew, 3/8 - 16 x 1-1/2" (4 Req.)	S26830
801	Stud, 3/8 - 16 x 2-1/2" (2 Req.)	S04438
802	Nut, Hex 3/8 - 16 (2 Req.)	S23343
810A	Plug, Pipe 1/2 NPT (4 Req.)	S23717
810B	Plug, Pipe 1/4 NPT (Not Illustrated)	S23715
811	Fitting, Grease	S23700
812	Elbow, Street	S25421
825	Sleeve, Impeller Locknut	S31661

Table II

HP	PH	Bracket No.	"AK" Fit	"U" Dim.	Motor Frame
100	3	H03622	12-1/2"	1-5/8"	404TC

NOTE: For an explanation of the tabulated material found on this page and for impeller key location, refer to **Supplement A** located at the beginning of this section.



BERKELEY® B6JPBHS

Cast Iron Impeller

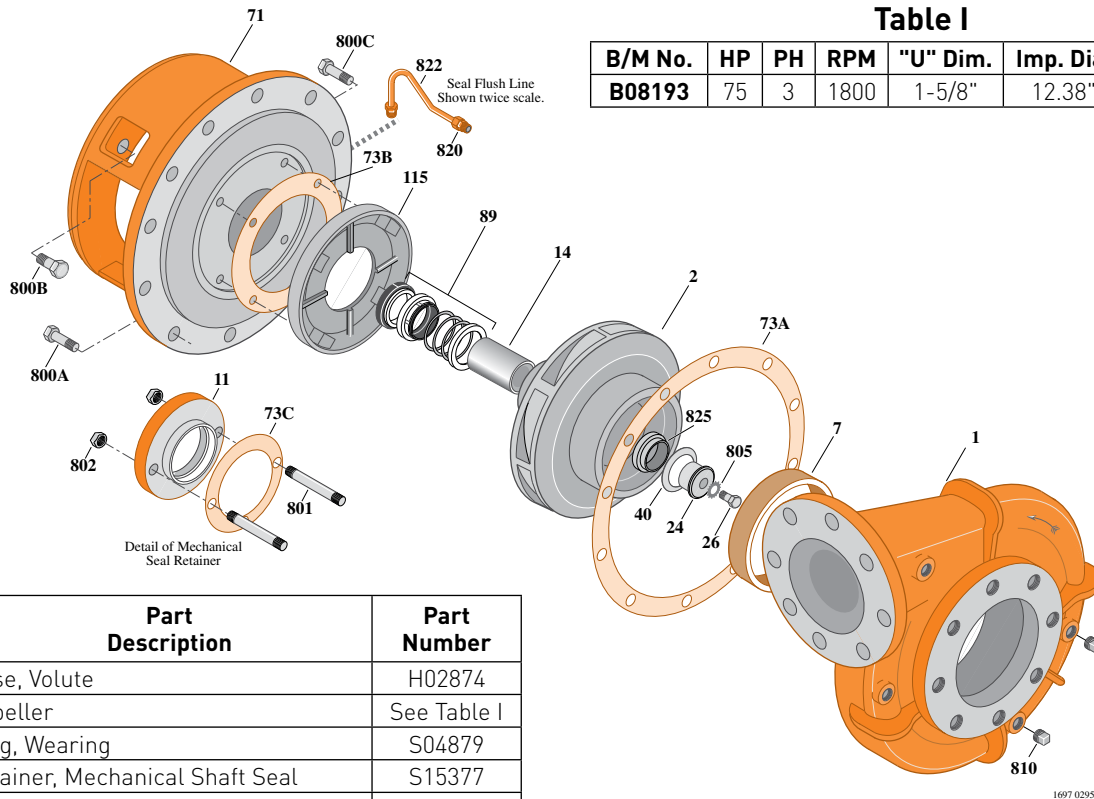
Flanged Case, Mechanical Shaft Seal Construction

ELECTRIC MOTOR DRIVE

Section	CC
Page	390.3
Date	March 4, 2013
Supersedes 02/02/07	

Table I

B/M No.	HP	PH	RPM	"U" Dim.	Imp. Dia.	Imp. No.
B08193	75	3	1800	1-5/8"	12.38"	L06202



Item No.	Part Description	Part Number
1	Case, Volute	H02874
2	Impeller	See Table I
7	Ring, Wearing	S04879
11	Retainer, Mechanical Shaft Seal	S15377
14	Sleeve, Shaft	S07073
24	Locknut, Impeller	S32712
26	Screw, Impeller 1/2 - 13 x 2-1/2"	S23629
32	Key, 3/8 x 2-1/4" [See Note]	S23940
40	Deflector	S19864
71	Bracket	See Table II
73A	Gasket, Volute Case	S06271
73B	Gasket, Balance Ring	S09943
73C	Gasket, Seal Retainer	S15078
89	Seal, Mechanical Shaft	S32016
115	Ring, Balance	M06114
800A	Capscrew, 5/8 - 11 x 1-1/2" [12 Req.]	S26999
800B	Capscrew, 5/8 - 11 x 1-3/4" [4 Req.]	S27001
800C	Capscrew, 3/8 - 16 x 1-1/2" [4 Req.]	S26830
801	Stud, 3/8 - 16 x 2-1/2" [2 Req.]	S04438
802	Nut, 3/8 - 16 [2 Req.]	S23343
805	Washer, Lock	S23038
810	Plug, Pipe 1/2 NPT [4 Req.]	S23717
820	Connector, Comp. Fitting [2 Req.]	S24013
822	Tubing, Copper	S20677
825	Sleeve, Impeller Locknut	S31661
•	Plug, Pipe 1/8 NPT [Not Illustrated]	S23714

Table II

HP	PH	Bracket No.	"AK" Fit	"U" Dim.	Motor Frame
75	3	H03936	12-1/2"	1-5/8"	365JP

NOTE: For an explanation of the tabulated material found on this page and for impeller key location, refer to **Supplement A** located at the beginning of this section.



BERKELEY® B6JPBHS

Cast Iron Impeller

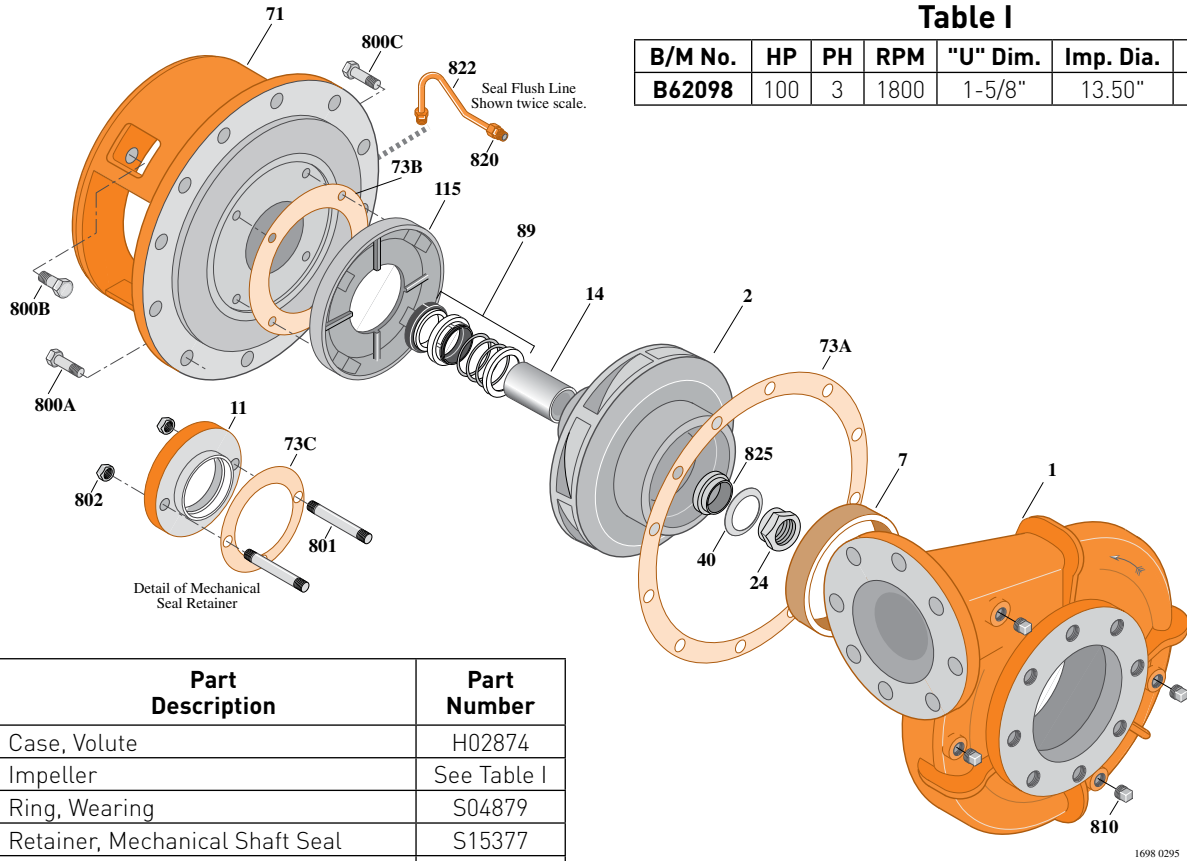
Flanged Case, Mechanical Shaft Seal Construction

ELECTRIC MOTOR DRIVE

Section	CC
Page	390.4
Date	March 4, 2013
Supersedes 02/02/07	

Table I

B/M No.	HP	PH	RPM	"U" Dim.	Imp. Dia.	Imp. No.
B62098	100	3	1800	1-5/8"	13.50"	L05897



Item No.	Part Description	Part Number
1	Case, Volute	H02874
2	Impeller	See Table I
7	Ring, Wearing	S04879
11	Retainer, Mechanical Shaft Seal	S15377
14	Sleeve, Shaft	S07073
24	Locknut, Impeller	S31662
32	Key, 3/8 x 2" [See Note]	S23939
40	Deflector	S19864
71	Bracket	See Table II
73A	Gasket, Volute Case	S06271
73B	Gasket, Balance Ring	S09943
73C	Gasket, Seal Retainer	S15078
89	Seal, Mechanical Shaft	S32016
115	Ring, Balance	M06114
800A	Capscrew, 5/8 - 11 x 1-1/2" [12 Req.]	S26999
800B	Capscrew, 5/8 - 11 x 1-3/4" [4 Req.]	S27001
800C	Capscrew, 3/8 - 16 x 1-1/2" [4 Req.]	S26830
801	Stud, 3/8 - 16 x 2-1/2" [2 Req.]	S04438
802	Nut, 3/8 - 16 [2 Req.]	S23343
810	Plug, Pipe 1/2 NPT [4 Req.]	S23717
820	Connector, Comp. Fitting [2 Req.]	S24013
822	Tubing, Copper	S20677
825	Sleeve, Impeller Locknut	S31661
•	Plug, Pipe 1/8 NPT [Not Illustrated]	S23714

Table II

HP	PH	Bracket No.	"AK" Fit	"U" Dim.	Motor Frame
100	3	H03936	12-1/2"	1-5/8"	404TC

NOTE: For an explanation of the tabulated material found on this page and for impeller key location, refer to **Supplement A** located at the beginning of this section.



BERKELEY® B6EXPBL

Cast Iron Impeller

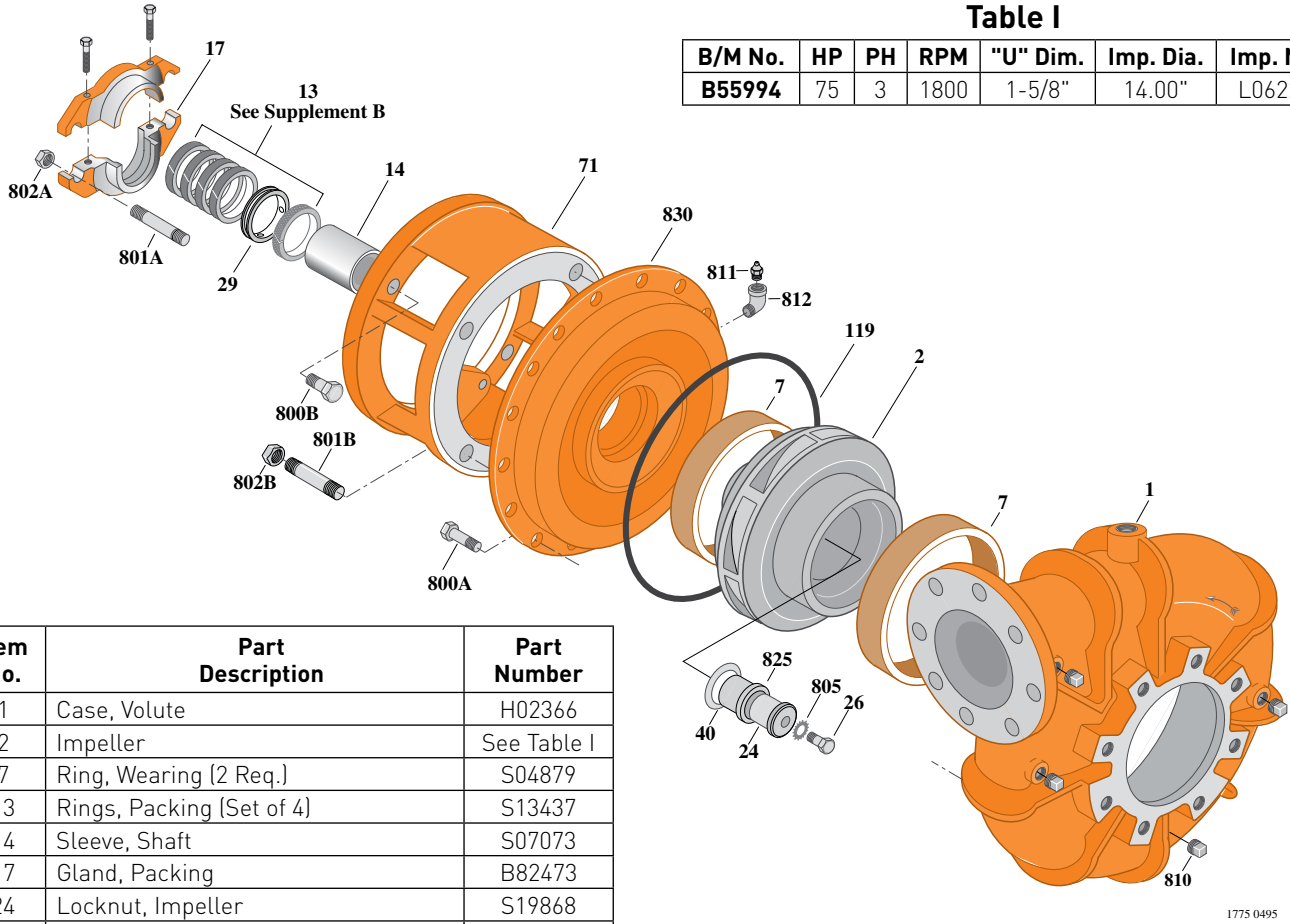
Flanged Case, Packing Construction

ELECTRIC MOTOR DRIVE

Section	CC
Page	400.1
Date	March 4, 2013
Supersedes 01/01/04	

Table I

B/M No.	HP	PH	RPM	"U" Dim.	Imp. Dia.	Imp. No.
B55994	75	3	1800	1-5/8"	14.00"	L06225



Item No.	Part Description	Part Number
1	Case, Volute	H02366
2	Impeller	See Table I
7	Ring, Wearing (2 Req.)	S04879
13	Rings, Packing (Set of 4)	S13437
14	Sleeve, Shaft	S07073
17	Gland, Packing	B82473
24	Locknut, Impeller	S19868
26	Screw, Impeller 1/2 - 13 x 3-1/2"	S23633
29	Ring, Lantern	S19198
32	Key, 3/8 x 2-1/4" (See Note)	S23940
40	Deflector	S19864
71	Bracket	See Table II
119	O-Ring	S14444
800A	Capscrew, 5/8 - 11 x 1-1/2" (16 Req.)	S26999
800B	Capscrew, 5/8 - 11 x 1-3/4" (4 Req.)	S27001
801A	Stud, 1/2 - 13 x 3-3/4" (2 Req.)	S08305
801B	Stud, 3/4 - 10 x 2-1/4" (4 Req.)	S23078
802A	Nut, Hex 1/2 - 13 x 7/16" (2 Req.)	S23347
802B	Nut, Hex 3/4 - 10 (4 Req.)	S23111
805	Washer, Lock	S23038
810	Plug, Pipe 1/2 NPT (4 Req.)	S23717
811	Fitting, Grease	S23700
812	Elbow, Street	S27401
825	Sleeve, Impeller Locknut	S19865
830	Cover, Case	H02482

Table II

HP	PH	Bracket No.	"AK" Fit	"U" Dim.	Motor Frame
75	3	H03688	12-1/2"	1-5/8"	365JP

NOTE: For an explanation of the tabulated material found on this page and for impeller key location, refer to **Supplement A** located at the beginning of this section.



BERKELEY® B6EXPBL

Cast Iron Impeller

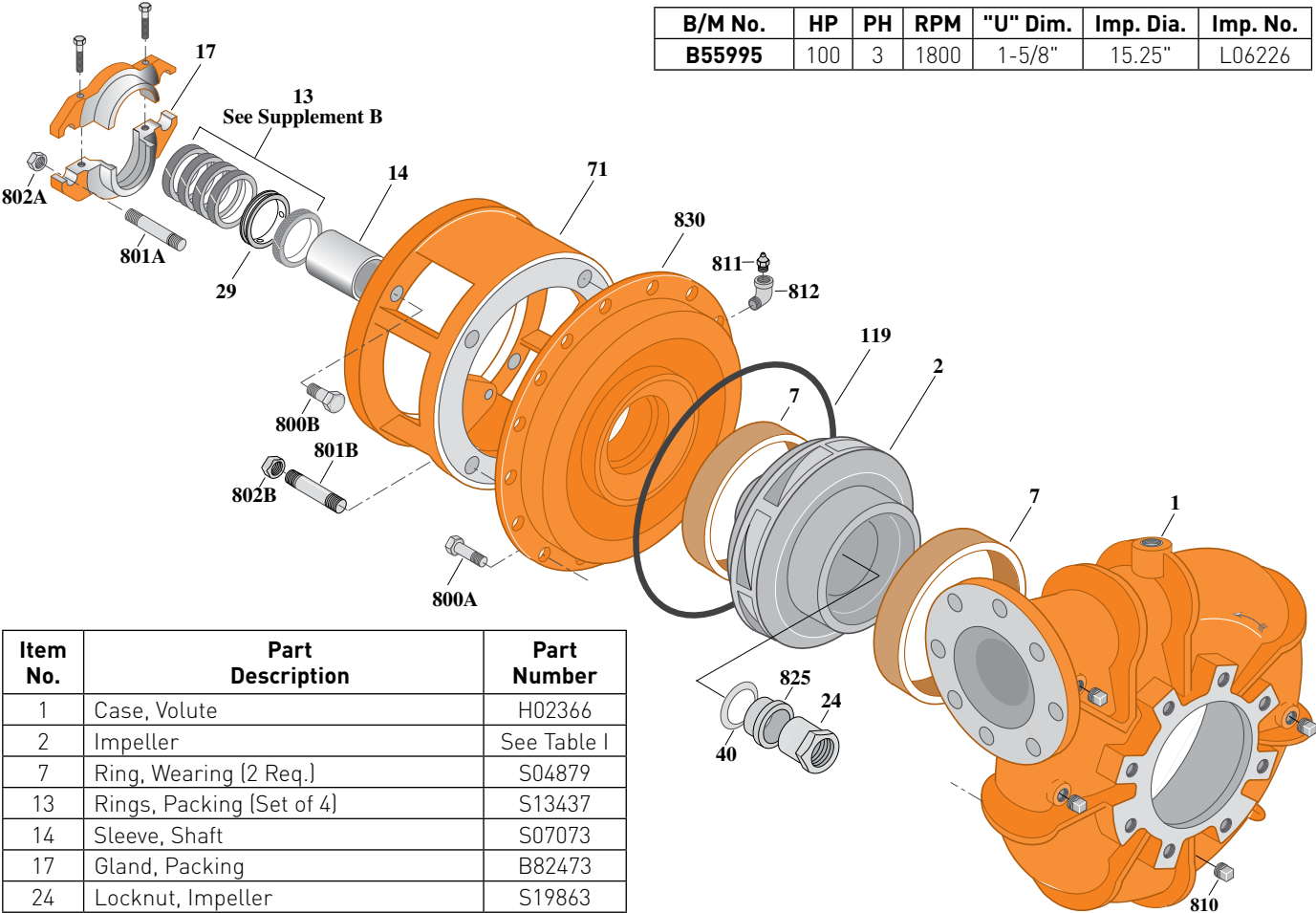
Flanged Case, Packing Construction

ELECTRIC MOTOR DRIVE

Section	CC
Page	400.2
Date	March 4, 2013
Supersedes 01/01/04	

Table I

B/M No.	HP	PH	RPM	"U" Dim.	Imp. Dia.	Imp. No.
B55995	100	3	1800	1-5/8"	15.25"	L06226



1776 0495

Item No.	Part Description	Part Number
1	Case, Volute	H02366
2	Impeller	See Table I
7	Ring, Wearing [2 Req.]	S04879
13	Rings, Packing [Set of 4]	S13437
14	Sleeve, Shaft	S07073
17	Gland, Packing	B82473
24	Locknut, Impeller	S19863
29	Ring, Lantern	S19198
32	Key, 3/8 x 2-1/4" [See Note]	S23940
40	Deflector	S19864
71	Bracket	See Table II
119	O-Ring	S14444
800A	Capscrew, 5/8 - 11 x 1-1/2" [16 Req.]	S26999
800B	Capscrew, 5/8 - 11 x 1-3/4" [4 Req.]	S27001
801A	Stud, 1/2 - 13 x 3-3/4" [2 Req.]	S08305
801B	Stud, 3/4 - 10 x 2-1/4" [4 Req.]	S24078
802A	Nut, Hex 1/2 - 13 x 7/16" [2 Req.]	S23347
802B	Nut, Hex 3/4 - 10 [4 Req.]	S23111
810	Plug, Pipe 1/2 NPT [4 Req.]	S23717
811	Fitting, Grease	S23700
812	Elbow, Street	S27401
825	Sleeve, Impeller Locknut	S19865
830	Cover, Case	H02482

Table II

HP	PH	Bracket No.	"AK" Fit	"U" Dim.	Motor Frame
100	3	H03688	12-1/2"	1-5/8"	404TC

NOTE: For an explanation of the tabulated material found on this page and for impeller key location, refer to **Supplement A** located at the beginning of this section.



BERKELEY® B6EXPBLS

Cast Iron Impeller

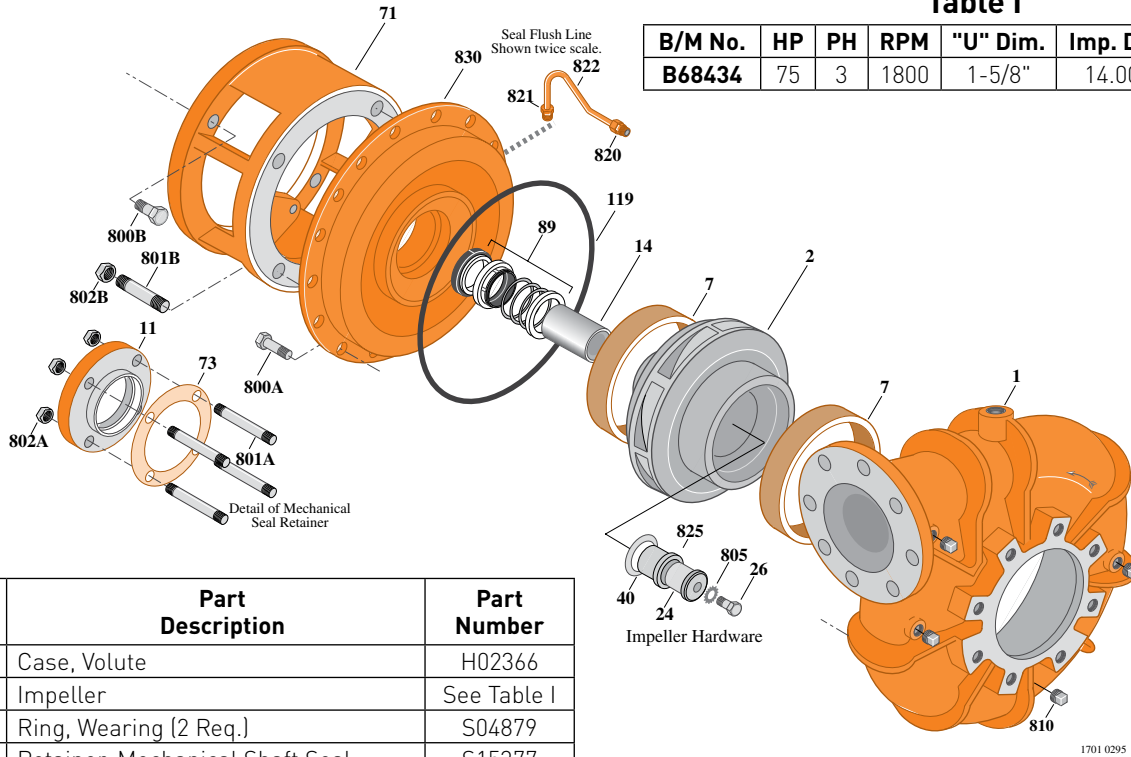
Flanged Case, Mechanical Shaft Seal Construction

ELECTRIC MOTOR DRIVE

Section	CC
Page	400.3
Date	March 4, 2013
Supersedes 01/01/04	

Table I

B/M No.	HP	PH	RPM	"U" Dim.	Imp. Dia.	Imp. No.
B68434	75	3	1800	1-5/8"	14.00"	L06225



Item No.	Part Description	Part Number
1	Case, Volute	H02366
2	Impeller	See Table I
7	Ring, Wearing (2 Req.)	S04879
11	Retainer, Mechanical Shaft Seal	S15377
14	Sleeve, Shaft	S07073
24	Locknut, Impeller	S19868
26	Screw, Impeller 1/2 - 13 x 3-1/2"	S23633
32	Key, 3/8 x 2-1/2" (See Note)	S23941
40	Deflector	S19864
71	Bracket	See Table II
73	Gasket, Seal Retainer	S16411
89	Seal, Mechanical Shaft	S32016
119	O-Ring	S14444
800A	Capscrew, 5/8 - 11 x 1-1/2" (16 Req.)	S26999
800B	Capscrew, 5/8 - 11 x 1-3/4" (4 Req.)	S27001
801A	Stud, 3/8 - 16 x 1-3/4" (4 Req.)	S04435
801B	Stud, 3/4 - 10 x 2-1/4" (4 Req.)	S24078
802A	Nut, 3/8 - 16 (2 Req.)	S23343
802B	Nut, 3/4 - 10 (4 Req.)	S23111
805	Washer, Lock	S23038
810	Plug, Pipe 1/2 NPT (4 Req.)	S23717
820	Connector, Comp. Fitting	S24013
821	Elbow, Comp. Tube Fitting	S24128
822	Tubing, Copper	S20677
825	Sleeve, Impeller Locknut	S19865
830	Cover, Case	H02761

Table II

HP	PH	Bracket No.	"AK" Fit	"U" Dim.	Motor Frame
75	3	H05058	12-1/2"	1-5/8"	365JP

NOTE: For an explanation of the tabulated material found on this page and for impeller key location, refer to **Supplement A** located at the beginning of this section.



BERKELEY® B6EXPBLS

Cast Iron Impeller

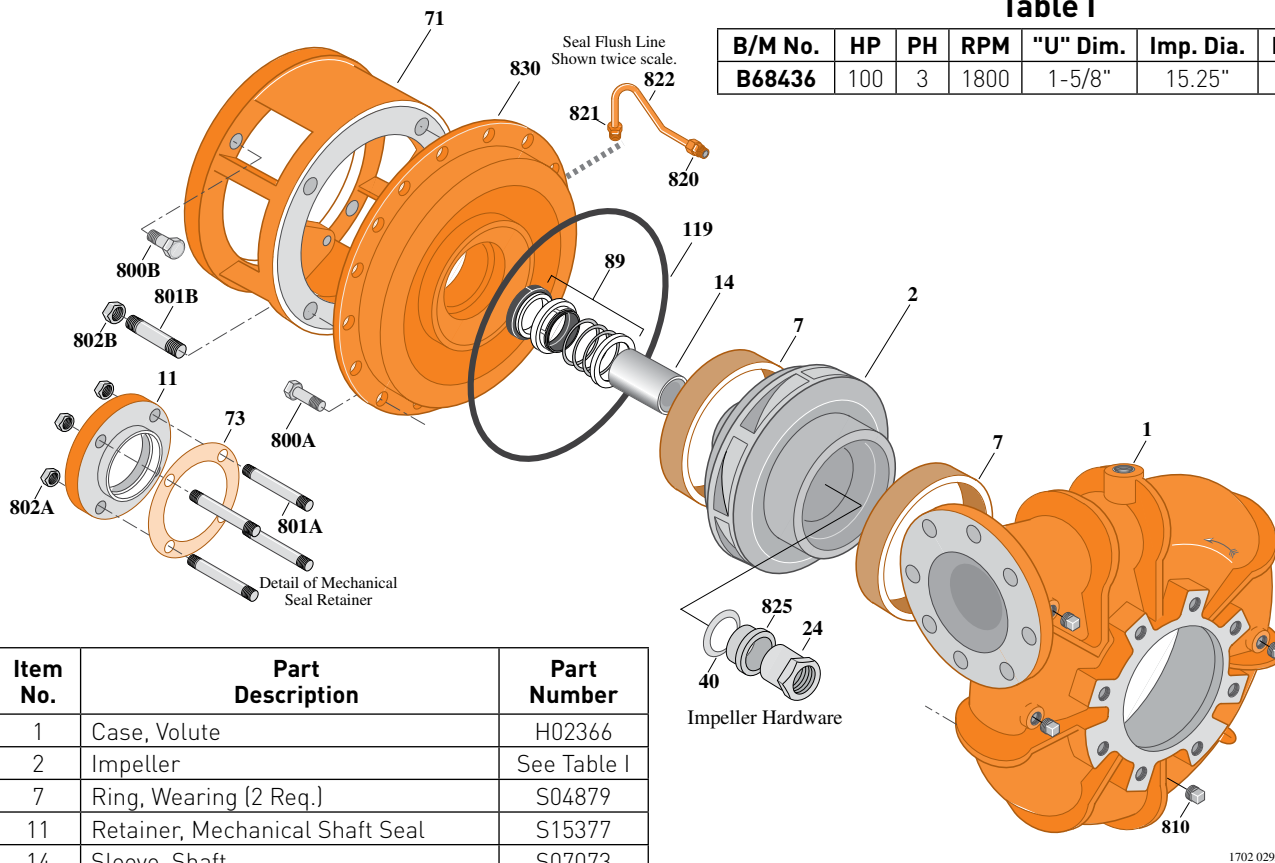
Flanged Case, Mechanical Shaft Seal Construction

ELECTRIC MOTOR DRIVE

Section	CC
Page	400.4
Date	March 4, 2013
Supersedes 01/01/04	

Table I

B/M No.	HP	PH	RPM	"U" Dim.	Imp. Dia.	Imp. No.
B68436	100	3	1800	1-5/8"	15.25"	L06226



Item No.	Part Description	Part Number
1	Case, Volute	H02366
2	Impeller	See Table I
7	Ring, Wearing (2 Req.)	S04879
11	Retainer, Mechanical Shaft Seal	S15377
14	Sleeve, Shaft	S07073
24	Locknut, Impeller	S19863
32	Key, 3/8 x 2-1/2" (See Note)	S23941
40	Deflector	S19864
71	Bracket	See Table II
73	Gasket, Seal Retainer	S16411
89	Seal, Mechanical Shaft	S32016
119	O-Ring	S14444
800A	Capscrew, 5/8 - 11 x 1-1/2" (16 Req.)	S26999
800B	Capscrew, 5/8 - 11 x 1-3/4" (4 Req.)	S27001
801A	Stud, 3/8 - 16 x 1-3/4" (4 Req.)	S04435
801B	Stud, 3/4 - 10 x 2-1/4" (4 Req.)	S24078
802A	Nut, 3/8 - 16 (2 Req.)	S23343
802B	Nut, 3/4 - 10 (4 Req.)	S23111
810	Plug, Pipe 1/2 NPT (4 Req.)	S23717
820	Connector, Comp. Fitting	S24013
821	Elbow, Comp. Tube Fitting	S24128
822	Tubing, Copper	S20677
825	Sleeve, Impeller Locknut	S19865
830	Cover, Case	H02761

Table II

HP	PH	Bracket No.	"AK" Fit	"U" Dim.	Motor Frame
100	3	H05058	12-1/2"	1-5/8"	404TC

NOTE: For an explanation of the tabulated material found on this page and for impeller key location, refer to **Supplement A** located at the beginning of this section.



BERKELEY® B6EXPBH

Cast Iron Impeller

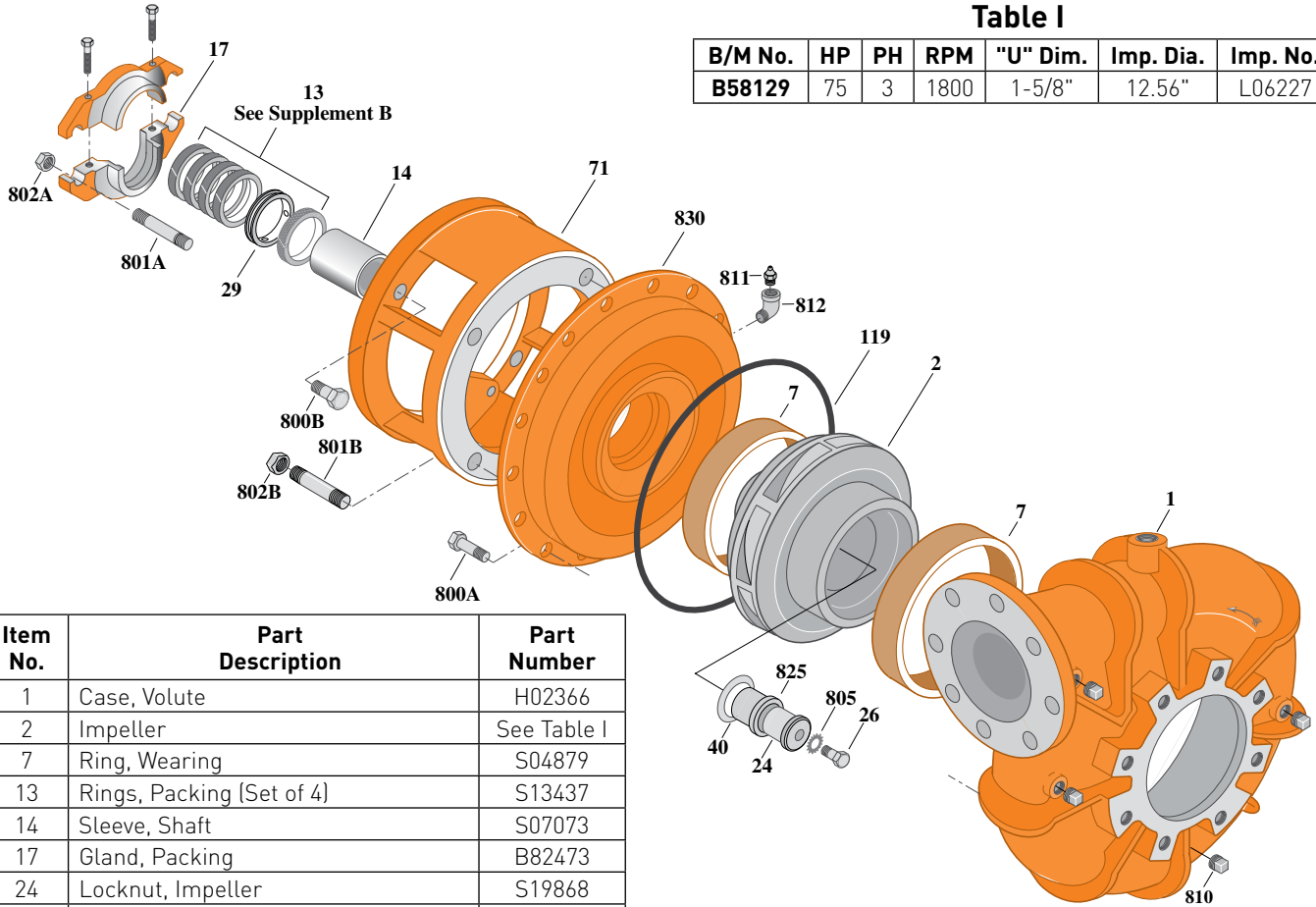
Flanged Case, Packing Construction

ELECTRIC MOTOR DRIVE

Section	CC
Page	410.1
Date	March 4, 2013
Supersedes 01/01/04	

Table I

B/M No.	HP	PH	RPM	"U" Dim.	Imp. Dia.	Imp. No.
B58129	75	3	1800	1-5/8"	12.56"	L06227



1775 0495

Item No.	Part Description	Part Number
1	Case, Volute	H02366
2	Impeller	See Table I
7	Ring, Wearing	S04879
13	Rings, Packing (Set of 4)	S13437
14	Sleeve, Shaft	S07073
17	Gland, Packing	B82473
24	Locknut, Impeller	S19868
26	Screw, Impeller 1/2 - 13 x 3-1/2"	S23633
29	Ring, Lantern	S19198
32	Key, 3/8 x 2-1/4" (See Note)	S23940
40	Deflector	S19864
71	Bracket	See Table II
119	O-Ring	S14444
800A	Capscrew, 5/8 - 11 x 1-1/2" (16 Req.)	S26999
800B	Capscrew, 5/8 - 11 x 1-3/4" (4 Req.)	S27001
801A	Stud, 1/2 - 13 x 3-3/4" (2 Req.)	S08305
801B	Stud, 3/4 - 10 x 2-1/4" (4 Req.)	S23078
802A	Nut, Hex 1/2 - 13 x 7/16" (2 Req.)	S23347
802B	Nut, Hex 3/4 - 10 (4 Req.)	S23111
805	Washer, Lock	S23038
810	Plug, Pipe 1/2 NPT (4 Req.)	S23717
811	Fitting, Grease	S23700
812	Elbow, Street	S27401
825	Sleeve, Impeller Locknut	S19865
830	Cover, Case	H02482

Table II

HP	PH	Bracket No.	"AK" Fit	"U" Dim.	Motor Frame
75	3	H03688	12-1/2"	1-5/8"	365JP

NOTE: For an explanation of the tabulated material found on this page and for impeller key location, refer to **Supplement A** located at the beginning of this section.



BERKELEY® B6EXPBH

Cast Iron Impeller

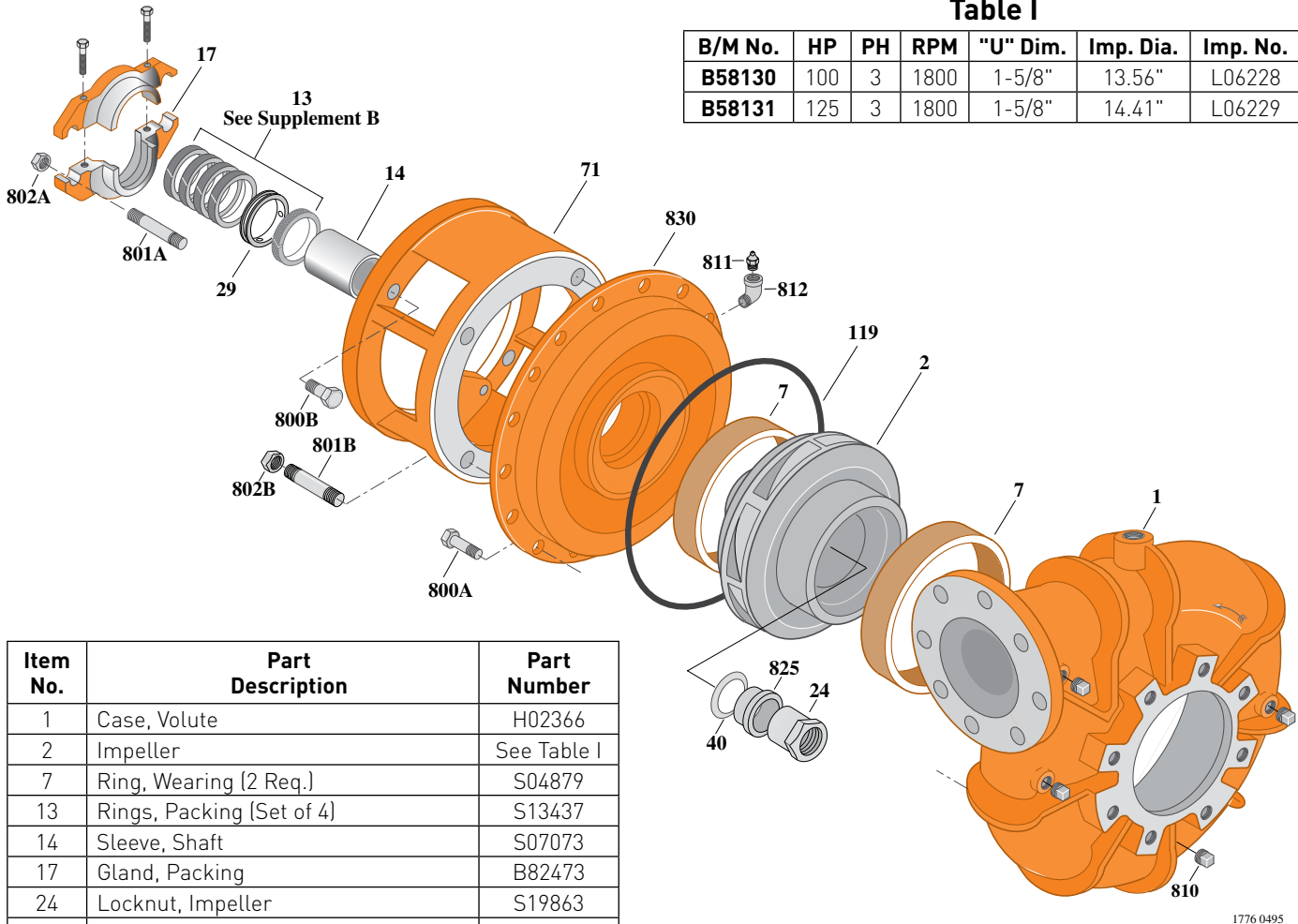
Flanged Case, Packing Construction

ELECTRIC MOTOR DRIVE

Section	CC
Page	410.2
Date	March 4, 2013
Supersedes 01/01/04	

Table I

B/M No.	HP	PH	RPM	"U" Dim.	Imp. Dia.	Imp. No.
B58130	100	3	1800	1-5/8"	13.56"	L06228
B58131	125	3	1800	1-5/8"	14.41"	L06229



Item No.	Part Description	Part Number
1	Case, Volute	H02366
2	Impeller	See Table I
7	Ring, Wearing [2 Req.]	S04879
13	Rings, Packing [Set of 4]	S13437
14	Sleeve, Shaft	S07073
17	Gland, Packing	B82473
24	Locknut, Impeller	S19863
29	Ring, Lantern	S19198
32	Key, 3/8 x 2-1/4" [See Note]	S23940
40	Deflector	S19864
71	Bracket	See Table II
119	O-Ring	S14444
800A	Capscrew, 5/8 - 11 x 1-1/2" [16 Req.]	S26999
800B	Capscrew, 5/8 - 11 x 1-3/4" [4 Req.]	S27001
801A	Stud, 1/2 - 13 x 3-3/4" [2 Req.]	S08305
801B	Stud, 3/4 - 10 x 2-1/4" [4 Req.]	S24078
802A	Nut, Hex 1/2 - 13 x 7/16" [2 Req.]	S23347
802B	Nut, Hex 3/4 - 10 [4 Req.]	S23111
810	Plug, Pipe 1/2 NPT [4 Req.]	S23717
811	Fitting, Grease	S23700
812	Elbow, Street	S27401
825	Sleeve, Impeller Locknut	S19865
830	Cover, Case	H02482

Table II

HP	PH	Bracket No.	"AK" Fit	"U" Dim.	Motor Frame
100	3	H03688	12-1/2"	1-5/8"	404TC
125	3	H03688	12-1/2"	1-5/8"	405TC

NOTE: For an explanation of the tabulated material found on this page and for impeller key location, refer to **Supplement A** located at the beginning of this section.



BERKELEY® B6EXPBH

Cast Iron Impeller

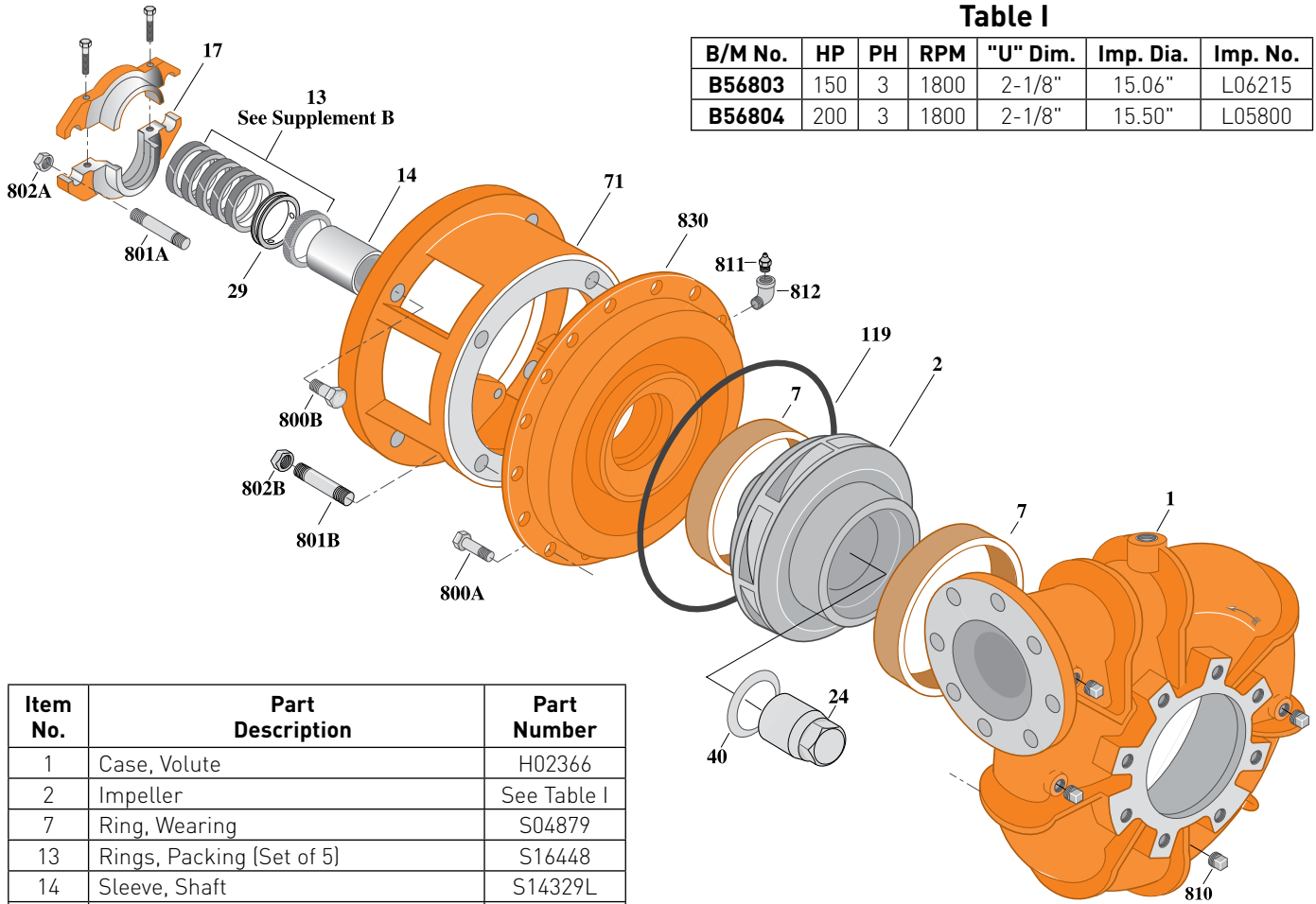
Flanged Case, Packing Construction

ELECTRIC MOTOR DRIVE

Section	CC
Page	410.3
Date	March 4, 2013
Supersedes 07/01/11	

Table I

B/M No.	HP	PH	RPM	"U" Dim.	Imp. Dia.	Imp. No.
B56803	150	3	1800	2-1/8"	15.06"	L06215
B56804	200	3	1800	2-1/8"	15.50"	L05800



Item No.	Part Description	Part Number
1	Case, Volute	H02366
2	Impeller	See Table I
7	Ring, Wearing	S04879
13	Rings, Packing (Set of 5)	S16448
14	Sleeve, Shaft	S14329L
17	Gland, Packing	M05311
24	Locknut, Impeller	S07829
29	Ring, Lantern	S14330
32	Key, 3/8 x 2-1/4" (See Note)	S23940
40	Deflector	S18720
71	Bracket	See Table II
119	O-Ring	S14444
800A	Capscrew, 5/8 - 11 x 1-1/2" [16 Req.]	S26999
800B	Capscrew, 5/8 - 11 x 1-3/4" [4 Req.]	S27001
801A	Stud, 1/2 - 13 x 3-3/4" [2 Req.]	S08305
801B	Stud, 3/4 - 10 x 2-1/2" [4 Req.]	S23079
802A	Nut, Hex 1/2 - 13 x 7/16" [2 Req.]	S23347
802B	Nut, Hex 3/4 - 10 [4 Req.]	S23111
810	Plug, Pipe 1/2 NPT [4 Req.]	S23717
811	Fitting, Grease	S23700
812	Elbow, Street	S24568
830	Cover, Case	H02375

Table II

HP	PH	Bracket No.	"AK" Fit	"U" Dim.	Motor Frame
150	3	H01078	16"	2-1/8"	444TY
200	3	H01078	16"	2-1/8"	445TY

NOTE: For an explanation of the tabulated material found on this page and for impeller key location, refer to **Supplement A** located at the beginning of this section.

BERKELEY® B6EXPBHS

Cast Iron Impeller

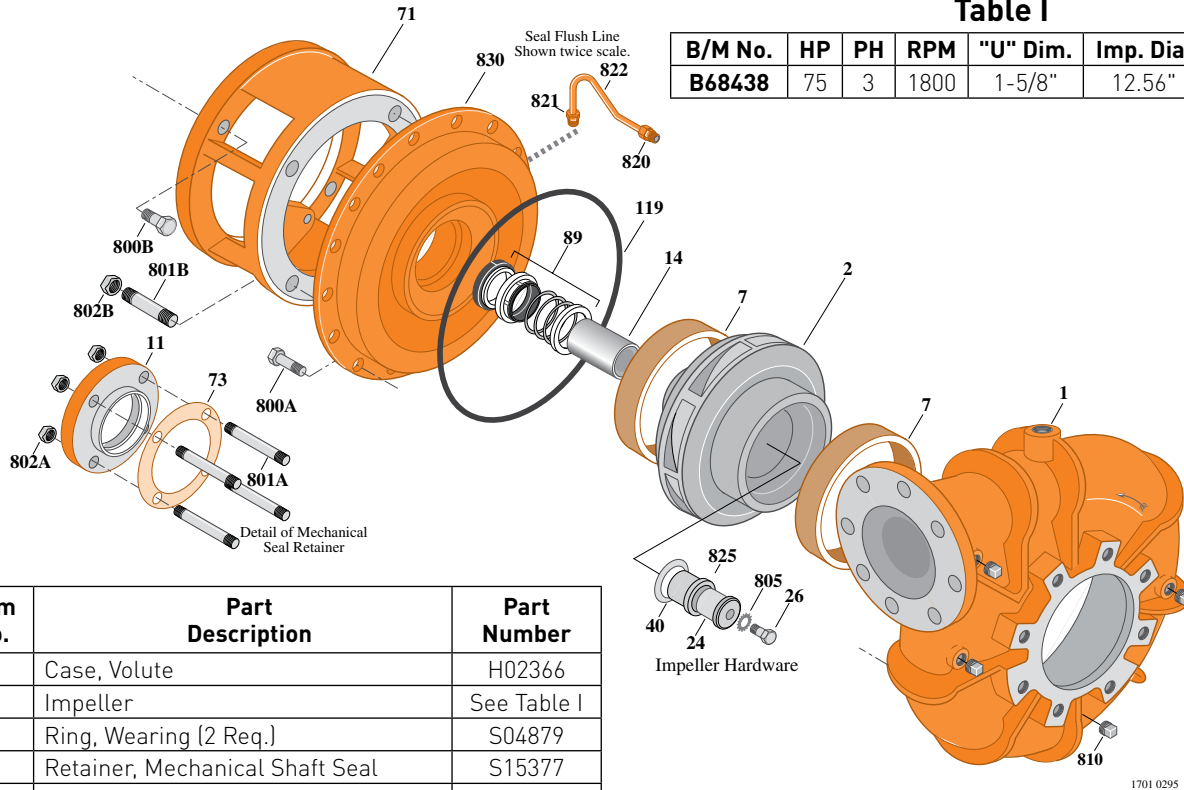
Flanged Case, Mechanical Shaft Seal Construction

ELECTRIC MOTOR DRIVE

Section	CC
Page	410.4
Date	March 4, 2013
Supersedes 01/01/04	

Table I

B/M No.	HP	PH	RPM	"U" Dim.	Imp. Dia.	Imp. No.
B68438	75	3	1800	1-5/8"	12.56"	L06227



Item No.	Part Description	Part Number
1	Case, Volute	H02366
2	Impeller	See Table I
7	Ring, Wearing (2 Req.)	S04879
11	Retainer, Mechanical Shaft Seal	S15377
14	Sleeve, Shaft	S07073
24	Locknut, Impeller	S19868
26	Screw, Impeller 1/2 - 13 x 3-1/2"	S23633
32	Key, 3/8 x 2-1/2" (See Note)	S23941
40	Deflector	S19864
71	Bracket	See Table II
73	Gasket, Seal Retainer	S16411
89	Seal, Mechanical Shaft	S32016
119	O-Ring	S14444
800A	Capscrew, 5/8 - 11 x 1-1/2" (16 Req.)	S26999
800B	Capscrew, 5/8 - 11 x 1-3/4" (4 Req.)	S27001
801A	Stud, 3/8 - 16 x 1-3/4" (4 Req.)	S04435
801B	Stud, 3/4 - 10 x 2-1/4" (4 Req.)	S24078
802A	Nut, 3/8 - 16 (2 Req.)	S23343
802B	Nut, 3/4 - 10 (4 Req.)	S23111
805	Washer, Lock	S23038
810	Plug, Pipe 1/2 NPT (4 Req.)	S23717
820	Connector, Comp. Fitting	S24013
821	Elbow, Comp. Tube Fitting	S24128
822	Tubing, Copper	S20677
825	Sleeve, Impeller Locknut	S19865
830	Cover, Case	H02761

Table II

HP	PH	Bracket No.	"AK" Fit	"U" Dim.	Motor Frame
75	3	H05058	12-1/2"	1-5/8"	365JP

NOTE: For an explanation of the tabulated material found on this page and for impeller key location, refer to **Supplement A** located at the beginning of this section.



BERKELEY® B6EXPBHS

ELECTRIC MOTOR DRIVE

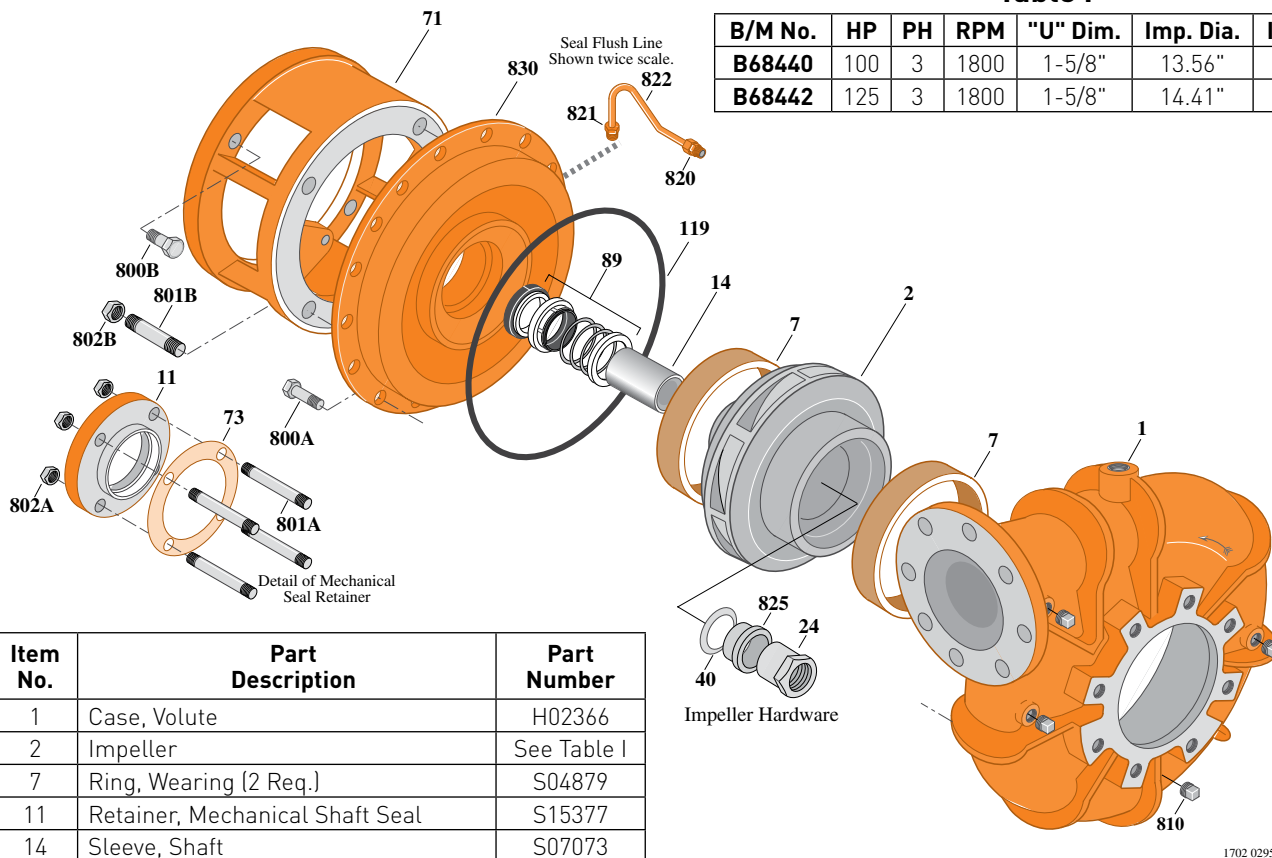
Cast Iron Impeller

Flanged Case, Mechanical Shaft Seal Construction

Section	CC
Page	410.5
Date	March 4, 2013
Supersedes 01/01/04	

Table I

B/M No.	HP	PH	RPM	"U" Dim.	Imp. Dia.	Imp. No.
B68440	100	3	1800	1-5/8"	13.56"	L06228
B68442	125	3	1800	1-5/8"	14.41"	L06229



Item No.	Part Description	Part Number
1	Case, Volute	H02366
2	Impeller	See Table I
7	Ring, Wearing (2 Req.)	S04879
11	Retainer, Mechanical Shaft Seal	S15377
14	Sleeve, Shaft	S07073
24	Locknut, Impeller	S19863
32	Key, 3/8 x 2-1/2" (See Note)	S23941
40	Deflector	S19864
71	Bracket	See Table II
73	Gasket, Seal Retainer	S16411
89	Seal, Mechanical Shaft	S32016
119	O-Ring	S14444
800A	Capscrew, 5/8 - 11 x 1-1/2" (16 Req.)	S26999
800B	Capscrew, 5/8 - 11 x 1-3/4" (4 Req.)	S27001
801A	Stud, 3/8 - 16 x 1-3/4" (4 Req.)	S04435
801B	Stud, 3/4 - 10 x 2-1/4" (4 Req.)	S24078
802A	Nut, 3/8 - 16 (2 Req.)	S23343
802B	Nut, 3/4 - 10 (4 Req.)	S23111
810	Plug, Pipe 1/2 NPT (4 Req.)	S23717
820	Connector, Comp. Fitting	S24013
821	Elbow, Comp. Tube Fitting	S24128
822	Tubing, Copper	S20677
825	Sleeve, Impeller Locknut	S19865
830	Cover, Case	H02761

Table II

HP	PH	Bracket No.	"AK" Fit	"U" Dim.	Motor Frame
100	3	H05058	12-1/2"	1-5/8"	404TC
125	3	H05058	12-1/2"	1-5/8"	405TC

NOTE: For an explanation of the tabulated material found on this page and for impeller key location, refer to **Supplement A** located at the beginning of this section.



BERKELEY® B6EXPBHS

Cast Iron Impeller

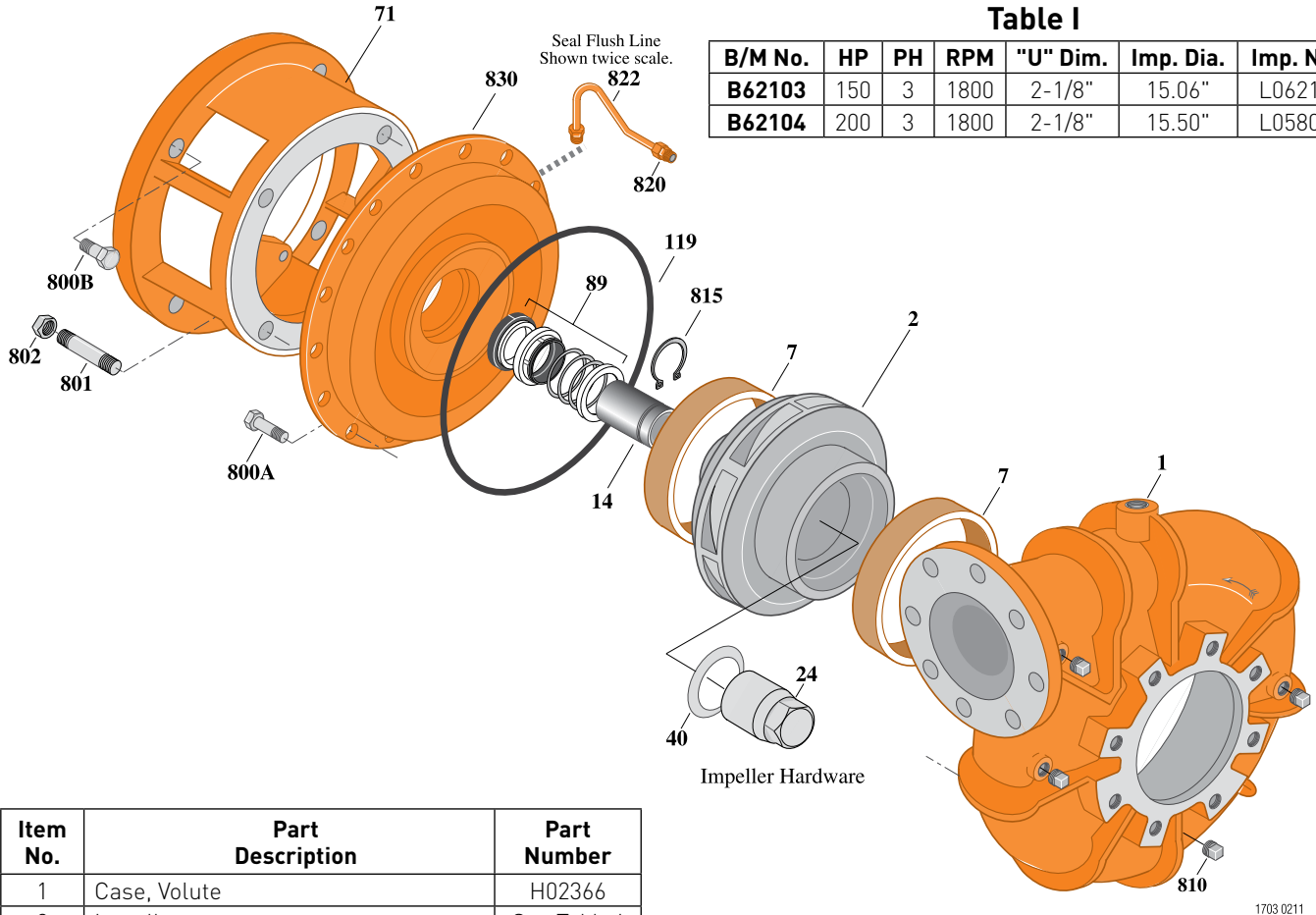
Flanged Case, Mechanical Shaft Seal Construction

ELECTRIC MOTOR DRIVE

Section	CC
Page	410.6
Date	March 4, 2013
Supersedes 07/01/11	

Table I

B/M No.	HP	PH	RPM	"U" Dim.	Imp. Dia.	Imp. No.
B62103	150	3	1800	2-1/8"	15.06"	L06215
B62104	200	3	1800	2-1/8"	15.50"	L05800



Item No.	Part Description	Part Number
1	Case, Volute	H02366
2	Impeller	See Table I
7	Ring, Wearing (2 Req.)	S04879
14	Sleeve, Shaft	S29517L
24	Locknut, Impeller	S07829
32	Key, 3/8 x 2-1/2" (See Note)	S26547
40	Deflector	S18720
71	Bracket	See Table II
89	Seal, Mechanical Shaft	S32697
119	O-Ring	S14444
800A	Capscrew, 5/8 - 11 x 1-1/2" (16 Req.)	S26999
800B	Capscrew, 5/8 - 11 x 1-3/4" (4 Req.)	S27001
801	Stud, 3/4 - 10 x 2-1/2" (4 Req.)	S24079
802	Nut, 3/4 - 10 (4 Req.)	S23111
810	Plug, Pipe 1/2 NPT (4 Req.)	S23717
815	Ring, Retaining	S29519
820	Connector, Comp. Fitting (2 Req.)	S24013
822	Tubing, Copper	S20677
830	Cover, Case	H03557

Table II

HP	PH	Bracket No.	"AK" Fit	"U" Dim.	Motor Frame
150	3	H02762	16"	2-1/8"	444TY
200	3	H02762	16"	2-1/8"	445TY

NOTE: For an explanation of the tabulated material found on this page and for impeller key location, refer to **Supplement A** located at the beginning of this section.



BERKELEY® B8GPBM

Cast Iron Impeller

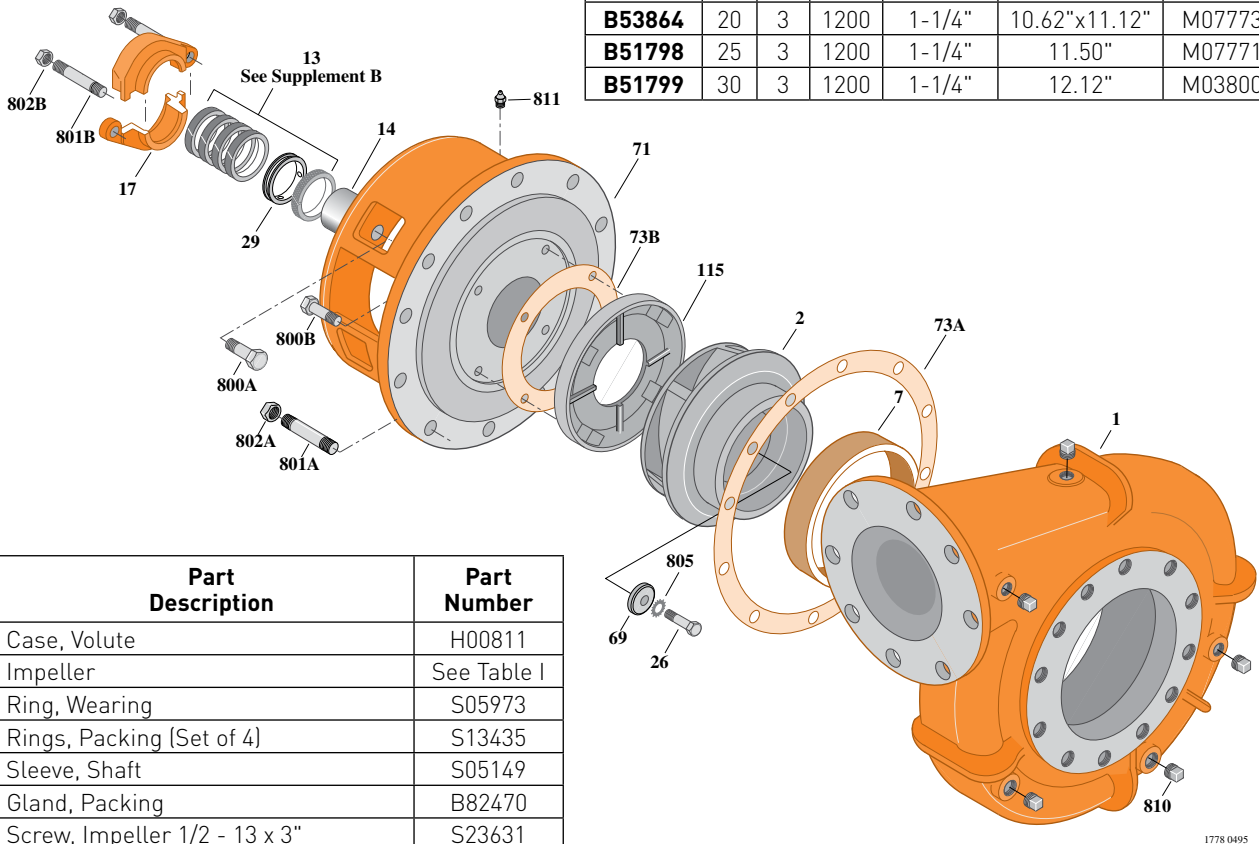
Flanged Case, Packing Construction

ELECTRIC MOTOR DRIVE

Section	CC
Page	420.1
Date	March 4, 2013
Supersedes 01/01/04	

Table I

B/M No.	HP	PH	RPM	"U" Dim.	Imp. Dia.	Imp. No.
B53863	15	3	1200	1-1/4"	9.38"x10.62"	M07772
B53864	20	3	1200	1-1/4"	10.62"x11.12"	M07773
B51798	25	3	1200	1-1/4"	11.50"	M07771
B51799	30	3	1200	1-1/4"	12.12"	M03800



Item No.	Part Description	Part Number
1	Case, Volute	H00811
2	Impeller	See Table I
7	Ring, Wearing	S05973
13	Rings, Packing (Set of 4)	S13435
14	Sleeve, Shaft	S05149
17	Gland, Packing	B82470
26	Screw, Impeller 1/2 - 13 x 3"	S23631
29	Ring, Lantern	S19200
32	Key, 1/4 x 2-1/4" (See Note)	S23677
69	Washer, Impeller	S06319
71	Bracket	See Table II
73A	Gasket, Volute Case	S06271
73B	Gasket, Balance Ring	S09943
115	Ring, Balance	S14065
800A	Capscrew, 5/8 - 11 x 1-1/2" [4 Req.]	S26999
800B	Capscrew, 3/8 - 16 x 1-1/2" [4 Req.]	S26830
801A	Stud, 5/8 - 11 x 2-1/4" (12 Req.)	S24061
801B	Stud, 3/8 - 16 x 2-1/2" (2 Req.)	S04438
802A	Nut, Hex 5/8 - 11 (12 Req.)	S23109
802B	Nut, Hex 3/8 - 16 (2 Req.)	S23343
805	Washer, Lock	S23038
810	Plug, Pipe 1/2 NPT (5 Req.)	S23717
811	Fitting, Grease	S23700
812	Elbow, Street	S25421

Table II

HP	PH	Bracket No.	"AK" Fit	"U" Dim.	Motor Frame
15	3	H01601	12-1/2"	1-1/4"	284JP
20	3	H01601	12-1/2"	1-1/4"	286JP
25	3	H01601	12-1/2"	1-1/4"	324JP
30	3	H01601	12-1/2"	1-1/4"	326JP

NOTE: For an explanation of the tabulated material found on this page and for impeller key location, refer to **Supplement A** located at the beginning of this section.



BERKELEY® B8GPBM

Cast Iron Impeller

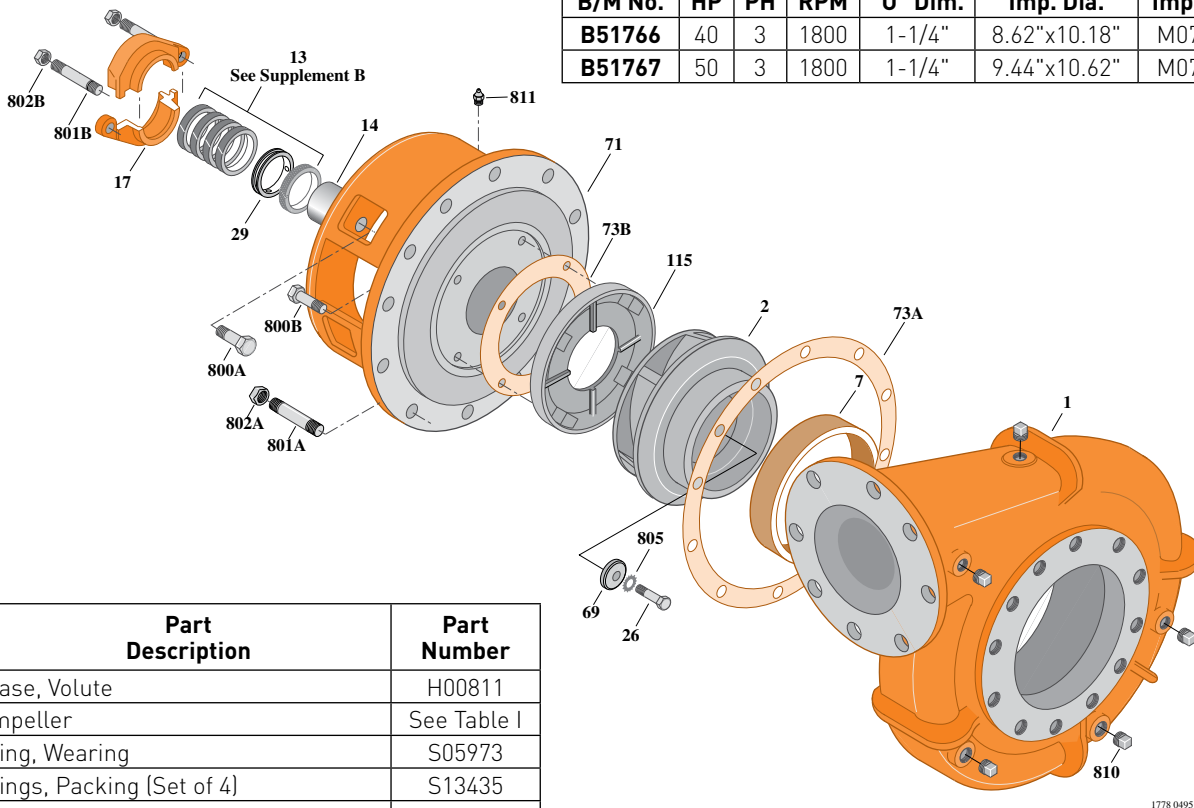
Flanged Case, Packing Construction

ELECTRIC MOTOR DRIVE

Section	CC
Page	420.2
Date	March 4, 2013
Supersedes 01/01/04	

Table I

B/M No.	HP	PH	RPM	"U" Dim.	Imp. Dia.	Imp. No.
B51766	40	3	1800	1-1/4"	8.62"x10.18"	M07769
B51767	50	3	1800	1-1/4"	9.44"x10.62"	M07770



Item No.	Part Description	Part Number
1	Case, Volute	H00811
2	Impeller	See Table I
7	Ring, Wearing	S05973
13	Rings, Packing (Set of 4)	S13435
14	Sleeve, Shaft	S05149
17	Gland, Packing	B82470
26	Screw, Impeller 1/2 - 13 x 3"	S23631
29	Ring, Lantern	S19200
32	Key, 1/4 x 2-1/4" (See Note)	S23677
69	Washer, Impeller	S06319
71	Bracket	See Table II
73A	Gasket, Volute Case	S06271
73B	Gasket, Balance Ring	S09943
115	Ring, Balance	S14065
800A	Capscrew, 5/8 - 11 x 1-1/2" [4 Req.]	S26999
800B	Capscrew, 3/8 - 16 x 1-1/2" [4 Req.]	S26830
801A	Stud, 5/8 - 11 x 2-1/4" (12 Req.)	S24061
801B	Stud, 3/8 - 16 x 2-1/2" (2 Req.)	S04438
802A	Nut, Hex 5/8 - 11 (12 Req.)	S23109
802B	Nut, Hex 3/8 - 16 (2 Req.)	S23343
805	Washer, Lock	S23038
810	Plug, Pipe 1/2 NPT (5 Req.)	S23717
811	Fitting, Grease	S23700
812	Elbow, Street	S25421

Table II

HP	PH	Bracket No.	"AK" Fit	"U" Dim.	Motor Frame
40	3	H01601	12-1/2"	1-1/4"	324JP
50	3	H01601	12-1/2"	1-1/4"	326JP

NOTE: For an explanation of the tabulated material found on this page and for impeller key location, refer to **Supplement A** located at the beginning of this section.



BERKELEY® B8GPBM

Cast Iron Impeller

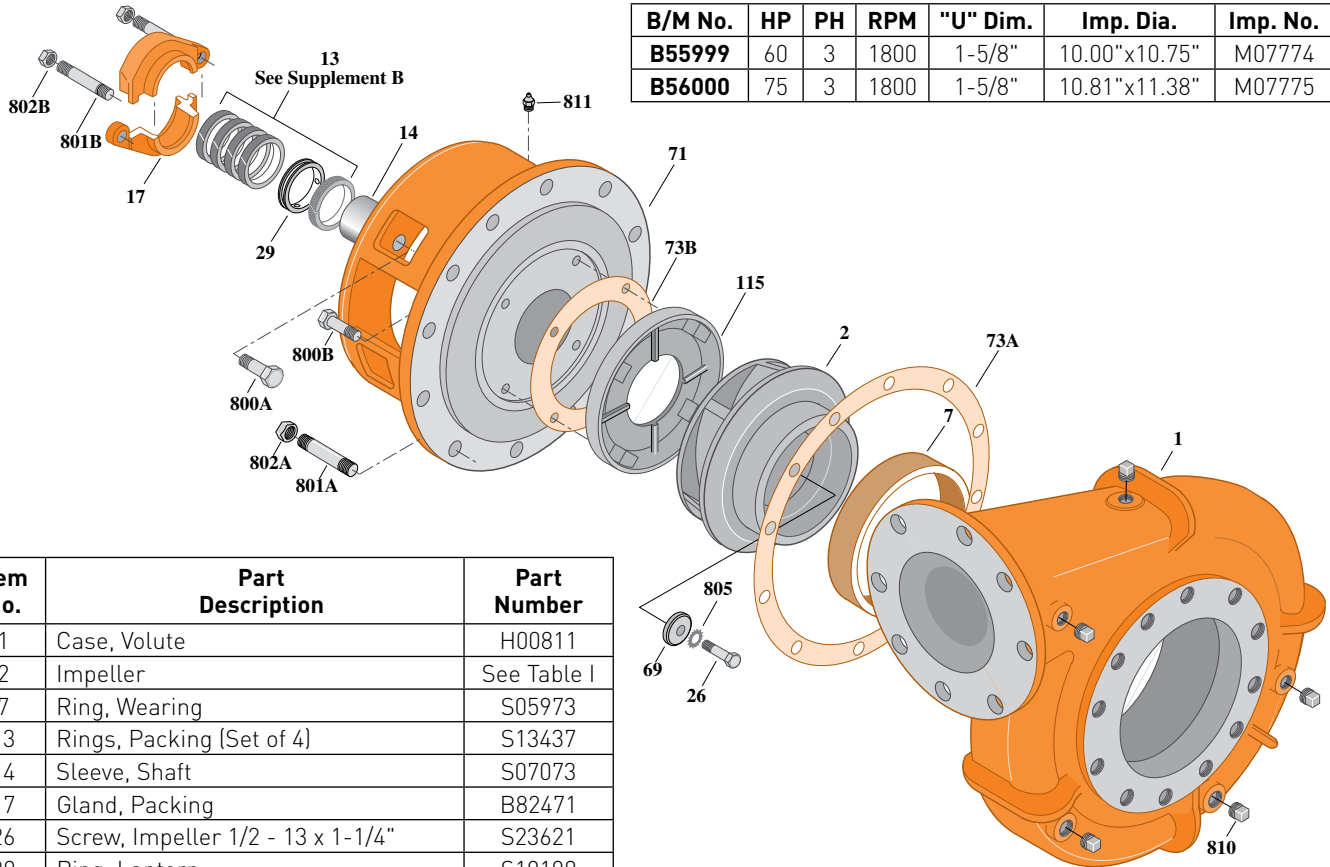
Flanged Case, Packing Construction

ELECTRIC MOTOR DRIVE

Section	CC
Page	420.3
Date	March 4, 2013
Supersedes 01/01/04	

Table I

B/M No.	HP	PH	RPM	"U" Dim.	Imp. Dia.	Imp. No.
B55999	60	3	1800	1-5/8"	10.00"x10.75"	M07774
B56000	75	3	1800	1-5/8"	10.81"x11.38"	M07775



Item No.	Part Description	Part Number
1	Case, Volute	H00811
2	Impeller	See Table I
7	Ring, Wearing	S05973
13	Rings, Packing (Set of 4)	S13437
14	Sleeve, Shaft	S07073
17	Gland, Packing	B82471
26	Screw, Impeller 1/2 - 13 x 1-1/4"	S23621
29	Ring, Lantern	S19198
32	Key, 3/8 x 2-1/4" (See Note)	S23940
69	Washer, Impeller	S34492
71	Bracket	See Table II
73A	Gasket, Volute Case	S06271
73B	Gasket, Balance Ring	S09943
115	Ring, Balance	S14065
800A	Capscrew, 5/8 - 11 x 1-3/4" (4 Req.)	S27001
800B	Capscrew, 3/8 - 16 x 1-1/2" (4 Req.)	S26830
801A	Stud, 5/8 - 11 x 2-1/4" (12 Req.)	S24061
801B	Stud, 3/8 - 16 x 2-1/2" (2 Req.)	S04438
802A	Nut, Hex 5/8 - 11 (12 Req.)	S23109
802B	Nut, Hex 3/8 - 16 (2 Req.)	S23343
805	Washer, Lock	S23038
810	Plug, Pipe 1/2 NPT (4 Req.)	S23717
811	Fitting, Grease	S23700
812	Elbow, Street	S25421
•	Plug, Pipe 1/4 NPT (2 Req) (Not Illustrated)	S23715

Table II

HP	PH	Bracket No.	"AK" Fit	"U" Dim.	Motor Frame
60	3	H03622	12-1/2"	1-5/8"	364JP
75	3	H03622	12-1/2"	1-5/8"	365JP

NOTE: For an explanation of the tabulated material found on this page and for impeller key location, refer to **Supplement A** located at the beginning of this section.



BERKELEY® B8GPBM

Cast Iron Impeller

Flanged Case, Packing Construction

ELECTRIC MOTOR DRIVE

Section	CC
Page	420.4
Date	March 4, 2013
Supersedes 01/01/04	

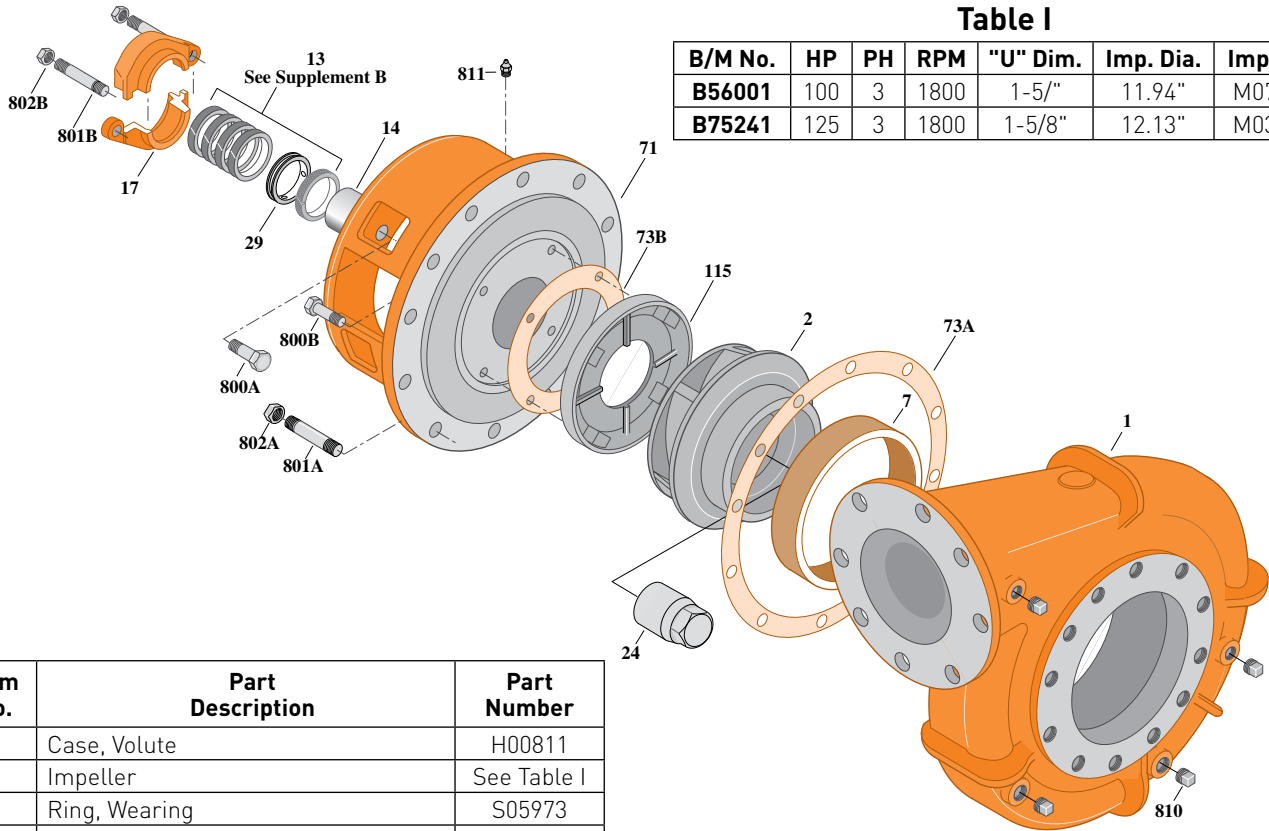


Table I

B/M No.	HP	PH	RPM	"U" Dim.	Imp. Dia.	Imp. No.
B56001	100	3	1800	1-5/8"	11.94"	M07776
B75241	125	3	1800	1-5/8"	12.13"	M03798

Item No.	Part Description	Part Number
1	Case, Volute	H00811
2	Impeller	See Table I
7	Ring, Wearing	S05973
13	Rings, Packing (Set of 4)	S13437
14	Sleeve, Shaft	S07073
17	Gland, Packing	B82471
24	Locknut, Impeller	S07829
29	Ring, Lantern	S19198
32	Key, 3/8 x 2-1/4" (See Note)	S23940
71	Bracket	See Table II
73A	Gasket, Volute Case	S06271
73B	Gasket, Balance Ring	S09943
115	Ring, Balance	S14065
800A	Capscrew, 5/8 - 11 x 1-3/4" (8 Req.)	S27001
800B	Capscrew, 3/8 - 16 x 1-1/2" (4 Req.)	S26830
801A	Stud, 5/8 - 11 x 2-1/4" (12 Req.)	S24061
801B	Stud, 3/8 - 16 x 2-1/2" (2 Req.)	S04438
802A	Nut, Hex 5/8 - 11 (12 Req.)	S23109
802B	Nut, Hex 3/8 - 16 (2 Req.)	S23343
810	Plug, Pipe 1/2 NPT (4 Req.)	S23717
811	Fitting, Grease	S23700
812	Elbow, Street	S25421
•	Plug, Pipe 1/4 NPT (2 Req.) (Not Illustrated)	S23715

Table II

HP	PH	Bracket No.	"AK" Fit	"U" Dim.	Motor Frame
100	3	H03622	12-1/2"	1-5/8"	404TC
125	3	H03622	12-1/2"	1-5/8"	405TC

NOTE: For an explanation of the tabulated material found on this page and for impeller key location, refer to **Supplement A** located at the beginning of this section.



BERKELEY® B8GPBMS

Cast Iron Impeller

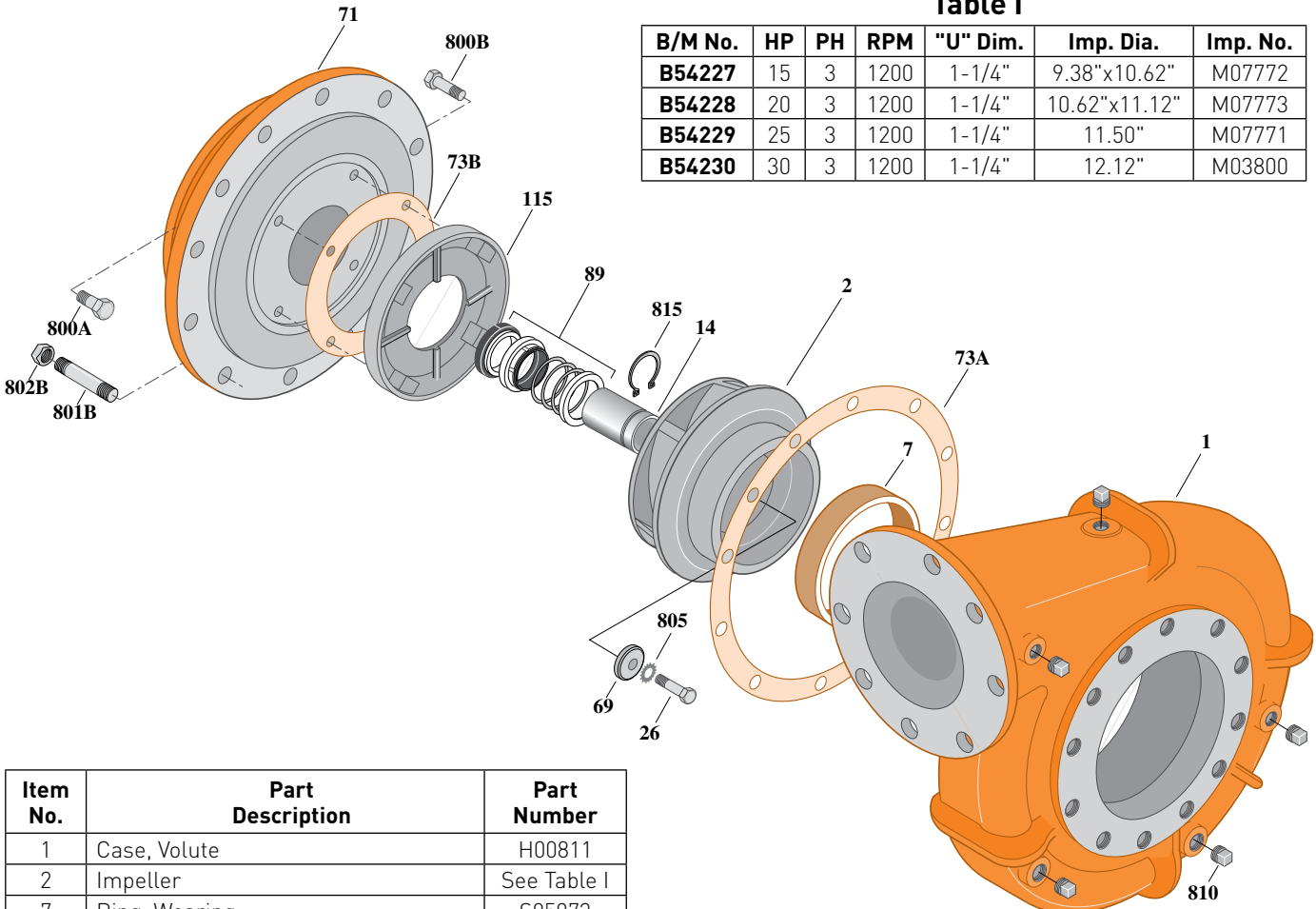
Flanged Case, Mechanical Shaft Seal Construction

ELECTRIC MOTOR DRIVE

Section	CC
Page	420.5
Date	March 4, 2013
Supersedes 01/01/04	

Table I

B/M No.	HP	PH	RPM	"U" Dim.	Imp. Dia.	Imp. No.
B54227	15	3	1200	1-1/4"	9.38"x10.62"	M07772
B54228	20	3	1200	1-1/4"	10.62"x11.12"	M07773
B54229	25	3	1200	1-1/4"	11.50"	M07771
B54230	30	3	1200	1-1/4"	12.12"	M03800



1704A 0295

Item No.	Part Description	Part Number
1	Case, Volute	H00811
2	Impeller	See Table I
7	Ring, Wearing	S05973
14	Sleeve, Shaft	S18869
26	Screw, Impeller 1/2 - 13 x 2-3/4"	S23630
32	Key, 1/4 x 2-1/4" [See Note]	S23677
69	Washer, Impeller	S06319
71	Bracket	See Table II
73A	Gasket, Volute Case	S06271
73B	Gasket, Balance Ring	S09943
89	Seal, Mechanical Shaft	S32015
115	Ring, Balance	S19073
800A	Capscrew, 5/8 - 11 x 1-1/2" [4 Req.]	S26999
800B	Capscrew, 3/8 - 16 x 1" [4 Req.]	S26826
801	Stud, 5/8 - 11 x 2-1/4" [12 Req.]	S24061
802	Nut, Hex 5/8 - 11 [12 Req.]	S23109
805	Washer, Lock	S23038
810	Plug, Pipe 1/2 NPT [5 Req.]	S23717
815	Ring, Retaining	S16767

Table II

HP	PH	Bracket No.	"AK" Fit	"U" Dim.	Motor Frame
15	3	H03301	12-1/2"	1-1/4"	284JM
20	3	H03301	12-1/2"	1-1/4"	286JM
25	3	H03301	12-1/2"	1-1/4"	324JM
30	3	H03301	12-1/2"	1-1/4"	326JM

NOTE: For an explanation of the tabulated material found on this page and for impeller key location, refer to **Supplement A** located at the beginning of this section.



BERKELEY® B8GPBMS

Cast Iron Impeller

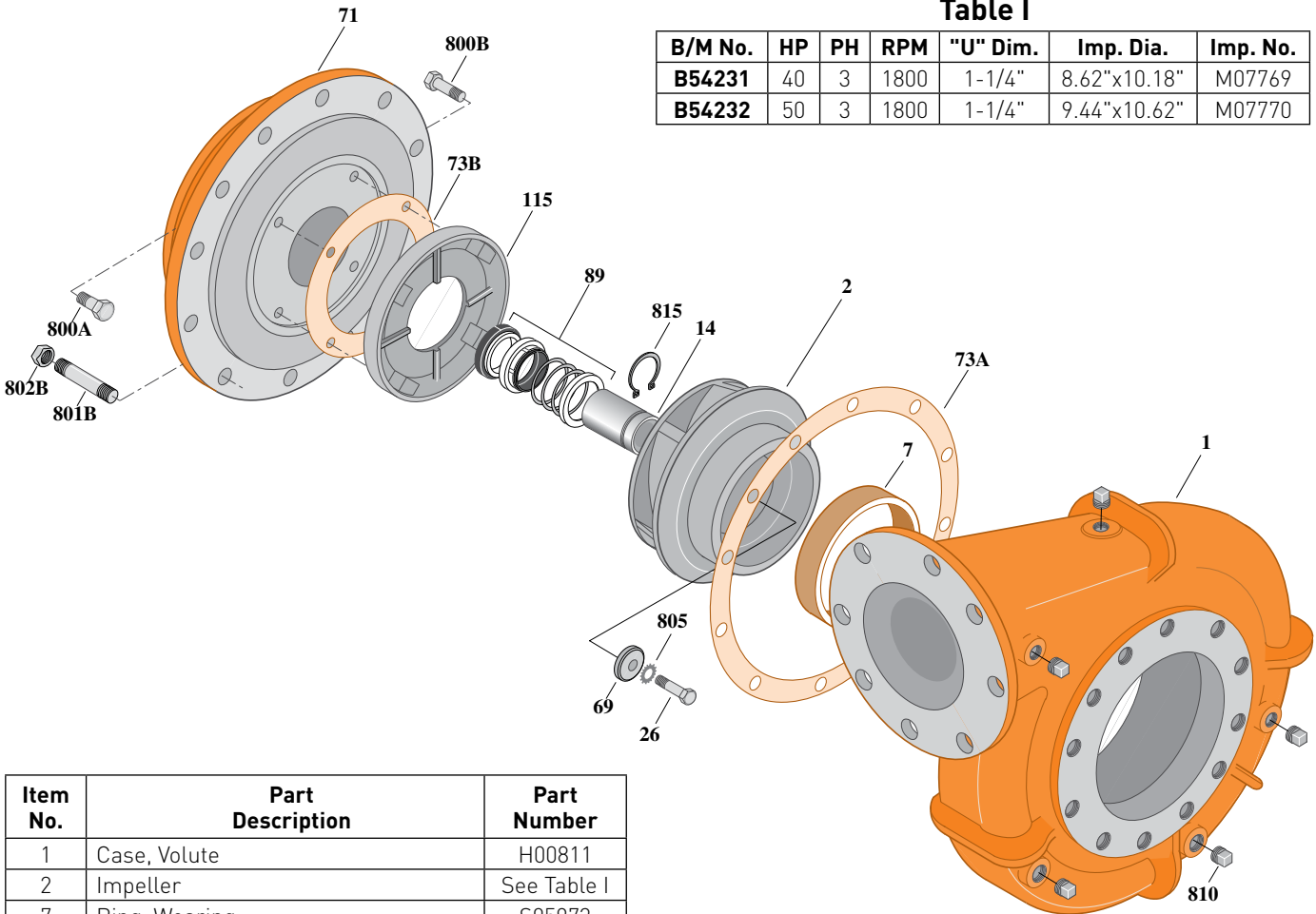
Flanged Case, Mechanical Shaft Seal Construction

ELECTRIC MOTOR DRIVE

Section	CC
Page	420.6
Date	March 4, 2013
Supersedes 01/01/04	

Table I

B/M No.	HP	PH	RPM	"U" Dim.	Imp. Dia.	Imp. No.
B54231	40	3	1800	1-1/4"	8.62"x10.18"	M07769
B54232	50	3	1800	1-1/4"	9.44"x10.62"	M07770



1704A 0295

Item No.	Part Description	Part Number
1	Case, Volute	H00811
2	Impeller	See Table I
7	Ring, Wearing	S05973
14	Sleeve, Shaft	S18869
26	Screw, Impeller 1/2 - 13 x 2-3/4"	S23630
32	Key, 1/4 x 2-1/4" [See Note]	S23677
69	Washer, Impeller	S06319
71	Bracket	See Table II
73A	Gasket, Volute Case	S06271
73B	Gasket, Balance Ring	S09943
89	Seal, Mechanical Shaft	S32015
115	Ring, Balance	S19073
800A	Capscrew, 5/8 - 11 x 1-1/2" [4 Req.]	S26999
800B	Capscrew, 3/8 - 16 x 1" [4 Req.]	S26826
801	Stud, 5/8 - 11 x 2-1/4" [12 Req.]	S24061
802	Nut, Hex 5/8 - 11 [12 Req.]	S23109
805	Washer, Lock	S23038
810	Plug, Pipe 1/2 NPT [5 Req.]	S23717
815	Ring, Retaining	S16767

Table II

HP	PH	Bracket No.	"AK" Fit	"U" Dim.	Motor Frame
40	3	H03301	12-1/2"	1-1/4"	324JM
50	3	H03301	12-1/2"	1-1/4"	326JM

NOTE: For an explanation of the tabulated material found on this page and for impeller key location, refer to **Supplement A** located at the beginning of this section.



BERKELEY® B8GPBMS

Cast Iron Impeller

Flanged Case, Mechanical Shaft Seal Construction

ELECTRIC MOTOR DRIVE

Section	CC
Page	420.7
Date	March 4, 2013
Supersedes 01/01/04	

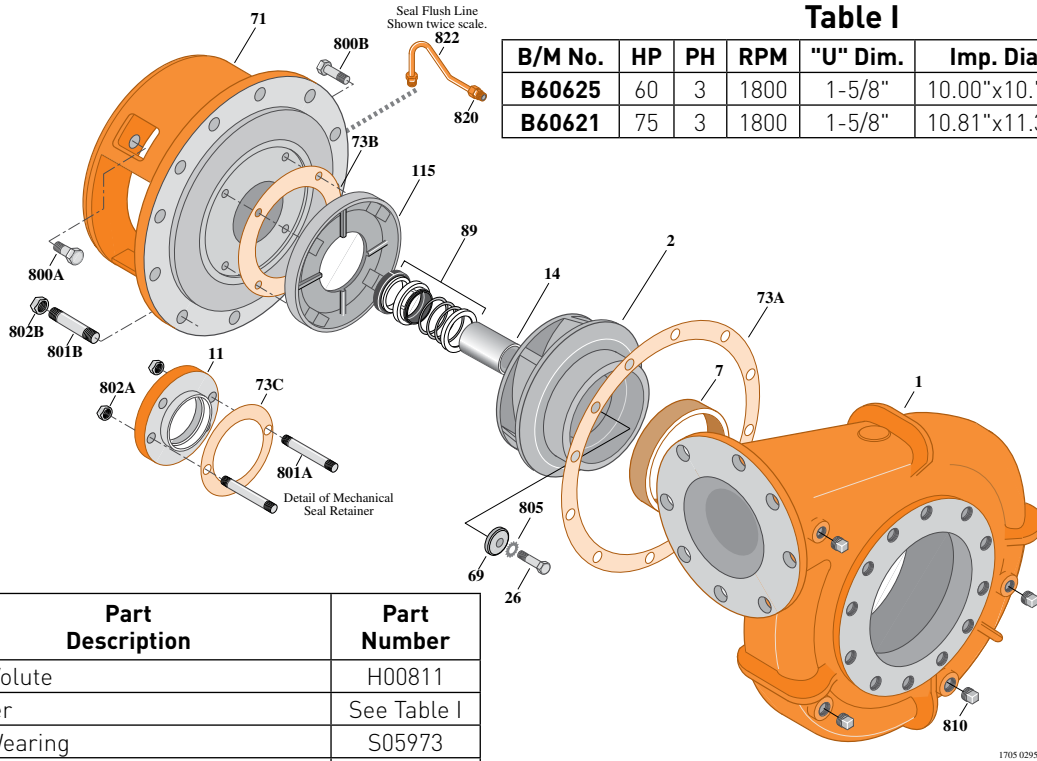


Table I

B/M No.	HP	PH	RPM	"U" Dim.	Imp. Dia.	Imp. No.
B60625	60	3	1800	1-5/8"	10.00"x10.75"	M07774
B60621	75	3	1800	1-5/8"	10.81"x11.38"	M07775

Item No.	Part Description	Part Number
1	Case, Volute	H00811
2	Impeller	See Table I
7	Ring, Wearing	S05973
11	Retainer, Mechanical Shaft Seal	S15377
14	Sleeve, Shaft	S07073
26	Screw, Impeller 1/2 - 13 x 1-1/4"	S23621
32	Key, 3/8 x 2-1/4" (See Note)	S23940
69	Washer, Impeller	S34492
71	Bracket	See Table II
73A	Gasket, Volute Case	S06271
73B	Gasket, Balance Ring	S09943
73C	Gasket, Seal Retainer	S16411
89	Seal, Mechanical Shaft	S32016
115	Ring, Balance	S14065
800A	Capscrew, 5/8 - 11 x 1-3/4" [4 Req.]	S27001
800B	Capscrew, 3/8 - 16 x 1-1/2" [4 Req.]	S26830
801A	Stud, 3/8 - 16 x 2-1/2" [2 Req.]	S04438
801B	Stud, 5/8 - 11 x 2-1/4" [12 Req.]	S24061
802A	Nut, Hex 3/8 - 16 [2 Req.]	S23343
802B	Nut, Hex 5/8 - 11 [12 Req.]	S23109
805	Washer, Lock	S23038
810	Plug, Pipe 1/2 NPT [4 Req.]	S23717
820	Connector, Comp. Fitting [2 Req.]	S24013
822	Tubing, Copper	S20677
•	Plug, Pipe 1/8 NPT [Not Illustrated]	S23714
•	Plug, Pipe 1/4 NPT [Not Illustrated]	S23715

Table II

HP	PH	Bracket No.	"AK" Fit	"U" Dim.	Motor Frame
60	3	H03936	12-1/2"	1-5/8"	364JP
75	3	H03936	12-1/2"	1-5/8"	365JP

NOTE: For an explanation of the tabulated material found on this page and for impeller key location, refer to **Supplement A** located at the beginning of this section.



BERKELEY® B8GPBMS

Cast Iron Impeller

Flanged Case, Mechanical Shaft Seal Construction

ELECTRIC MOTOR DRIVE

Section	CC
Page	420.8
Date	March 4, 2013
Supersedes 01/01/04	

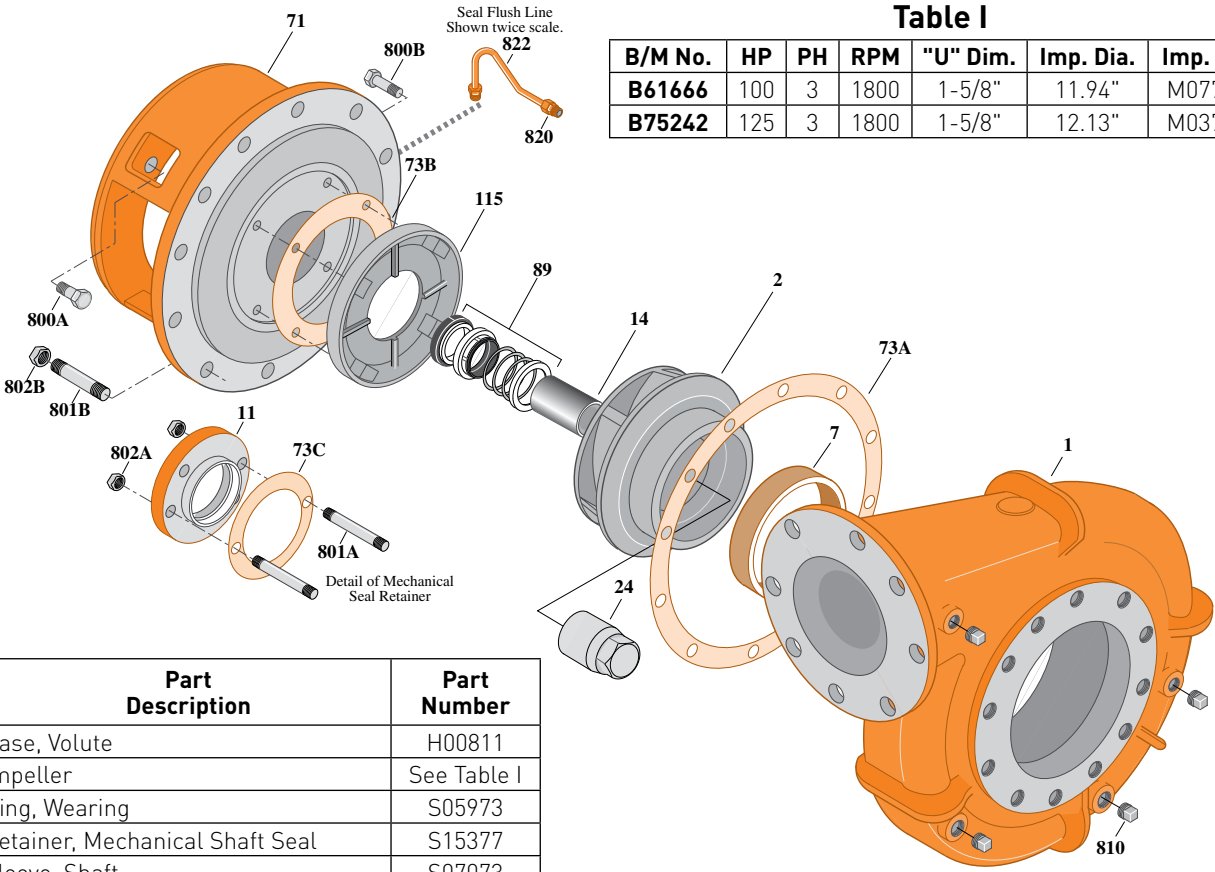


Table I

B/M No.	HP	PH	RPM	"U" Dim.	Imp. Dia.	Imp. No.
B61666	100	3	1800	1-5/8"	11.94"	M07776
B75242	125	3	1800	1-5/8"	12.13"	M03798

Item No.	Part Description	Part Number
1	Case, Volute	H00811
2	Impeller	See Table I
7	Ring, Wearing	S05973
11	Retainer, Mechanical Shaft Seal	S15377
14	Sleeve, Shaft	S07073
24	Nut, Impeller	S07829
32	Key, 3/8 x 2-1/4" [See Note]	S23940
71	Bracket	See Table II
73A	Gasket, Volute Case	S06271
73B	Gasket, Balance Ring	S09943
73C	Gasket, Seal Retainer	S16411
89	Seal, Mechanical Shaft	S32016
115	Ring, Balance	S14065
800A	Capscrew, 5/8 - 11 x 1-3/4" [8 Req.]	S27001
800B	Capscrew, 3/8 - 16 x 1-1/2" [4 Req.]	S26830
801A	Stud, 3/8 - 16 x 2-1/2" [2 Req.]	S04438
801B	Stud, 5/8 - 11 x 2-1/4" [12 Req.]	S24061
802A	Nut, Hex 3/8 - 16 [2 Req.]	S23343
802B	Nut, Hex 5/8 - 11 [12 Req.]	S23109
810	Plug, Pipe 1/2 NPT [4 Req.]	S23717
820	Connector, Comp. Fitting [2 Req.]	S24013
822	Tubing, Copper	S20677
•	Plug, Pipe 1/4 NPT [Not Illustrated]	S14692
•	Plug, Pipe 1/8 NPT [Not Illustrated]	S23714

Table II

HP	PH	Bracket No.	"AK" Fit	"U" Dim.	Motor Frame
100	3	H03936	12-1/2"	1-5/8"	404TC
125	3	H03936	12-1/2"	1-5/8"	405TC

NOTE: For an explanation of the tabulated material found on this page and for impeller key location, refer to **Supplement A** located at the beginning of this section.



BERKELEY® B8GPBM

Silicon Bronze Impeller

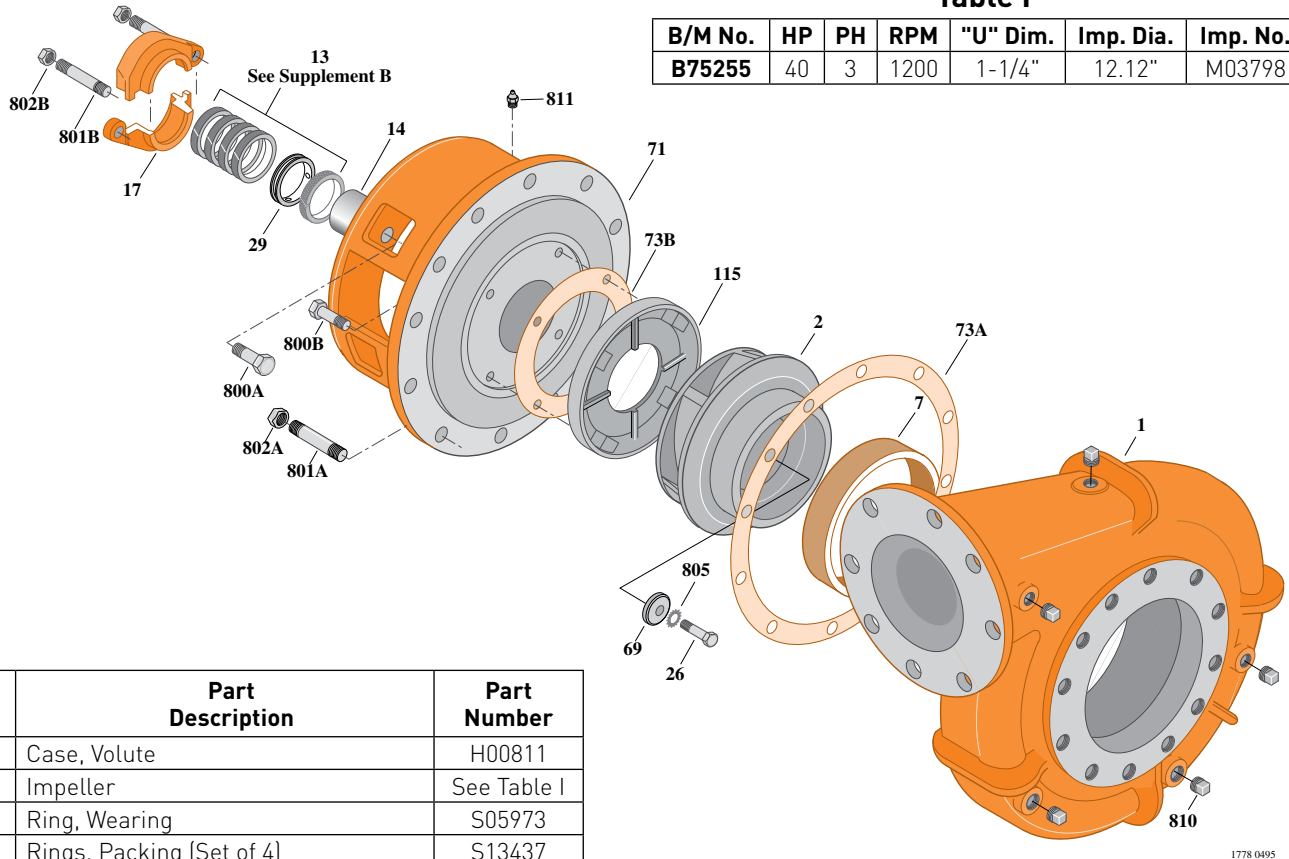
Flanged Case, Packing Construction

ELECTRIC MOTOR DRIVE

Section	CC
Page	420.9
Date	March 4, 2013
Supersedes 01/01/04	

Table I

B/M No.	HP	PH	RPM	"U" Dim.	Imp. Dia.	Imp. No.
B75255	40	3	1200	1-1/4"	12.12"	M03798



Item No.	Part Description	Part Number
1	Case, Volute	H00811
2	Impeller	See Table I
7	Ring, Wearing	S05973
13	Rings, Packing [Set of 4]	S13437
14	Sleeve, Shaft	S07073
17	Gland, Packing	B82471
26	Screw, Impeller 1/2 - 13 x 1-1/4"	S23621
29	Ring, Lantern	S19198
32	Key, 3/8 x 2-1/4" [See Note]	S23940
69	Washer, Impeller	S34492
71	Bracket	See Table II
73A	Gasket, Volute Case	S06271
73B	Gasket, Balance Ring	S09943
115	Ring, Balance	S14065
800A	Capscrew, 5/8 - 11 x 1-3/4" [4 Req.]	S27001
800B	Capscrew, 3/8 - 16 x 1-1/2" [4 Req.]	S26830
801A	Stud, 5/8 - 11 x 2-1/4" [12 Req.]	S24061
801B	Stud, 3/8 - 16 x 2-1/2" [2 Req.]	S04438
802A	Nut, Hex 5/8 - 11 [12 Req.]	S23109
802B	Nut, Hex 3/8 - 16 [2 Req.]	S23343
805	Washer, Lock	S23038
810	Plug, Pipe 1/2" NPT [5 Req.]	S23717
811	Fitting, Grease	S23700

Table II

HP	PH	Bracket No.	"AK" Fit	"U" Dim.	Motor Frame
40	3	H03622	12-1/2"	1-1/4"	364TCZ

NOTE: For an explanation of the tabulated material found on this page and for impeller key location, refer to **Supplement A** located at the beginning of this section.



BERKELEY® B8GPBMS Silicon Bronze Impeller

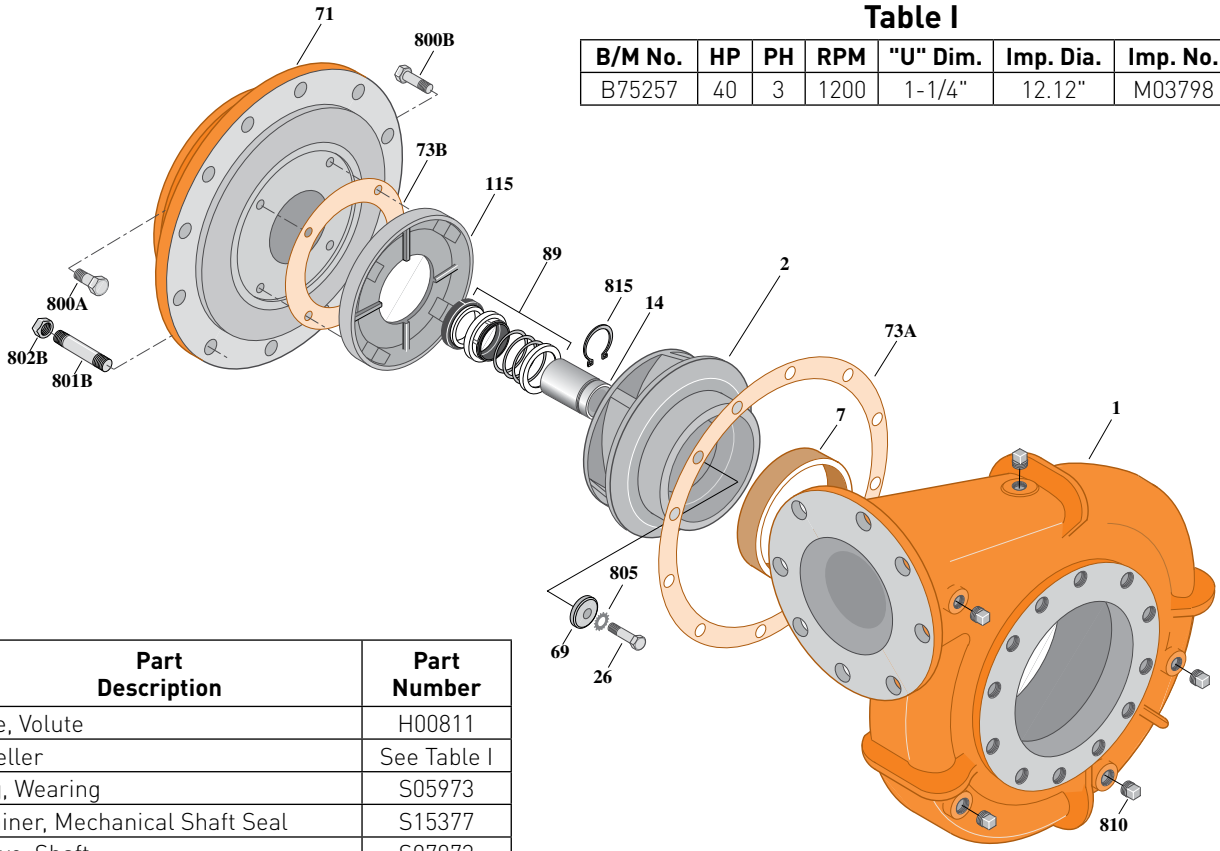
Flanged Case, Mechanical Shaft Seal Construction

ELECTRIC MOTOR DRIVE

Section	CC
Page	420.10
Date	March 4, 2013
Supersedes 01/01/04	

Table I

B/M No.	HP	PH	RPM	"U" Dim.	Imp. Dia.	Imp. No.
B75257	40	3	1200	1-1/4"	12.12"	M03798



Item No.	Part Description	Part Number
1	Case, Volute	H00811
2	Impeller	See Table I
7	Ring, Wearing	S05973
11	Retainer, Mechanical Shaft Seal	S15377
14	Sleeve, Shaft	S07073
26	Screw, Impeller 1/2 - 13 x 1-1/4"	S23621
32	Key, 3/8 x 2-1/4" (See Note)	S23940
69	Washer, Impeller	S34492
71	Bracket	See Table II
73A	Gasket, Volute Case	S06271
73B	Gasket, Balance Ring	S09943
73C	Gasket, Mechanical Shaft Seal Retainer	S15078
89	Seal, Mechanical Shaft	S32016
115	Ring, Balance	S14065
800A	Capscrew, 5/8 - 11 x 1-3/4" (4 Req.)	S27001
800B	Capscrew, 3/8 - 16 x 1-1/2" (4 Req.)	S26830
801A	Stud, 3/8 - 16 x 2-1/2" (2 Req.)	S04438
801B	Stud, 5/8 - 11 x 2-1/4" (12 Req.)	S24061
802A	Nut, Hex 3/8 - 16 (2 Req.)	S23343
802B	Nut, Hex 5/8 - 11 (12 Req.)	S23109
805	Washer, Lock	S23038
810	Plug, Pipe 1/2" NPT (5 Req.)	S23717
•	Plug, Pipe 1/8" NPT(In Bracket)(2 Req.)	S23714

• Not illustrated.

Table II

HP	PH	Bracket No.	"AK" Fit	"U" Dim.	Motor Frame
40	3	H03301	12-1/2"	1-1/4"	364JMZ

NOTE 1: For an explanation of the tabulated material found on this page and for impeller key location, refer to **Supplement A** located at the beginning of this section.

NOTE 2: For seal flush line details, see **Supplement D**.



BERKELEY® B8GPBMS

Bronze Impeller

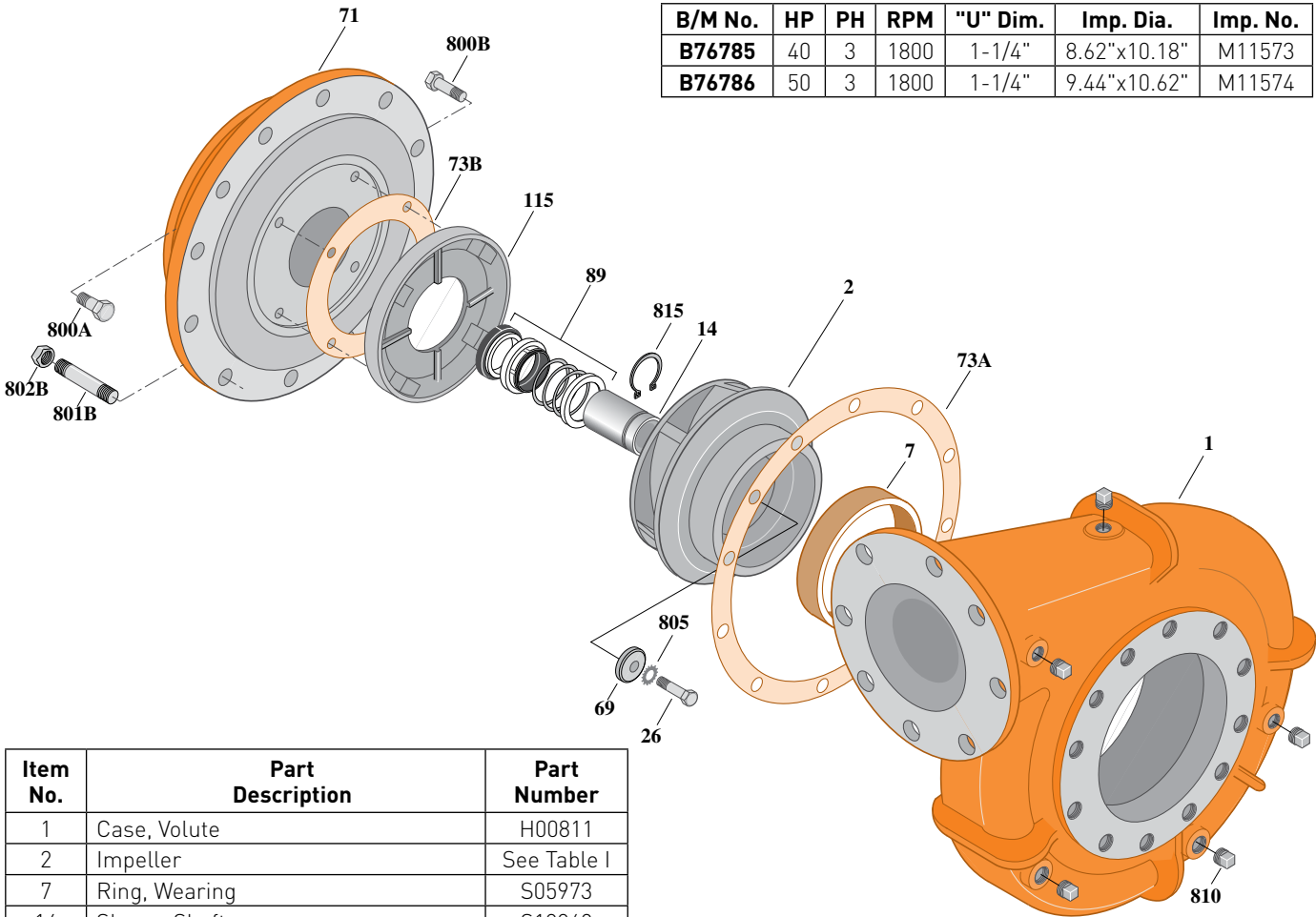
Flanged Case, Mechanical Shaft Seal Construction

ELECTRIC MOTOR DRIVE

Section	CC
Page	420.11
Date	March 4, 2013
Supersedes 01/01/04	

Table I

B/M No.	HP	PH	RPM	"U" Dim.	Imp. Dia.	Imp. No.
B76785	40	3	1800	1-1/4"	8.62"x10.18"	M11573
B76786	50	3	1800	1-1/4"	9.44"x10.62"	M11574



Item No.	Part Description	Part Number
1	Case, Volute	H00811
2	Impeller	See Table I
7	Ring, Wearing	S05973
14	Sleeve, Shaft	S18869
26	Screw, Impeller 1/2 - 13 x 2-3/4"	S23630
32	Key, 1/4 x 2-1/4" [See Note]	S23677
69	Washer, Impeller	S06319
71	Bracket	See Table II
73A	Gasket, Volute Case	S06271
73B	Gasket, Balance Ring	S09943
89	Seal, Mechanical Shaft	S32015
115	Ring, Balance	S19073
800A	Capscrew, 5/8 - 11 x 1-1/2" [4 Req.]	S26999
800B	Capscrew, 3/8 - 16 x 1" [4 Req.]	S26826
801	Stud, 5/8 - 11 x 2-1/4" [12 Req.]	S24061
802	Nut, Hex 5/8 - 11 [12 Req.]	S23109
805	Washer, Lock	S23038
810	Plug, Pipe 1/2 NPT [5 Req.]	S23717
815	Ring, Retaining	S16767

Table II

HP	PH	Bracket No.	"AK" Fit	"U" Dim.	Motor Frame
40	3	H03301	12-1/2"	1-1/4"	324JM
50	3	H03301	12-1/2"	1-1/4"	326JM

NOTE: For an explanation of the tabulated material found on this page and for impeller key location, refer to **Supplement A** located at the beginning of this section.



BERKELEY® B8GPBMS

Bronze Impeller

Flanged Case, Mechanical Shaft Seal Construction

ELECTRIC MOTOR DRIVE

Section	CC
Page	420.12
Date	March 4, 2013
Supersedes 01/01/04	

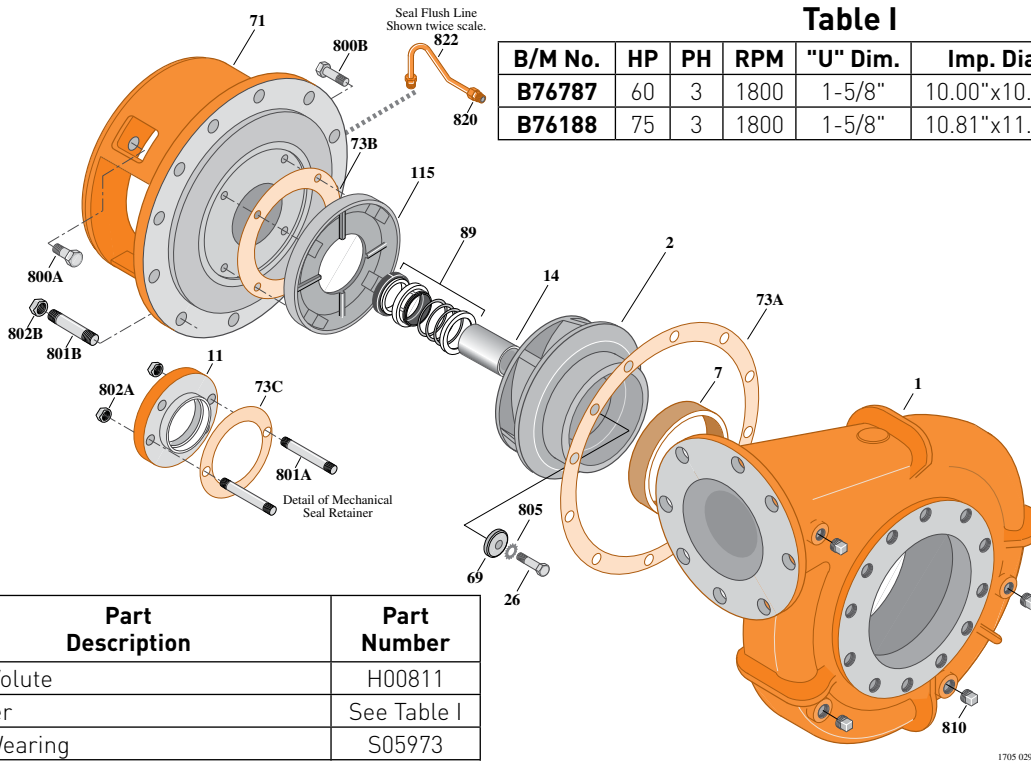


Table I

B/M No.	HP	PH	RPM	"U" Dim.	Imp. Dia.	Imp. No.
B76787	60	3	1800	1-5/8"	10.00"x10.75"	M11575
B76188	75	3	1800	1-5/8"	10.81"x11.38"	M11576

Item No.	Part Description	Part Number
1	Case, Volute	H00811
2	Impeller	See Table I
7	Ring, Wearing	S05973
11	Retainer, Mechanical Shaft Seal	S15377
14	Sleeve, Shaft	S07073
26	Screw, Impeller 1/2 - 13 x 1-1/4"	S23621
32	Key, 3/8 x 2-1/4" (See Note)	S23940
69	Washer, Impeller	S34492
71	Bracket	See Table II
73A	Gasket, Volute Case	S06271
73B	Gasket, Balance Ring	S09943
73C	Gasket, Seal Retainer	S16411
89	Seal, Mechanical Shaft	S32016
115	Ring, Balance	S14065
800A	Capscrew, 5/8 - 11 x 1-3/4" (4 Req.)	S27001
800B	Capscrew, 3/8 - 16 x 1-1/2" (4 Req.)	S26830
801A	Stud, 3/8 - 16 x 2-1/2" (2 Req.)	S04438
801B	Stud, 5/8 - 11 x 2-1/4" (12 Req.)	S24061
802A	Nut, Hex 3/8 - 16 (2 Req.)	S23343
802B	Nut, Hex 5/8 - 11 (12 Req.)	S23109
805	Washer, Lock	S23038
810	Plug, Pipe 1/2 NPT (4 Req.)	S23717
820	Connector, Comp. Fitting (2 Req.)	S24013
822	Tubing, Copper	S20677
•	Plug, Pipe 1/8 NPT (Not Illustrated)	S23714
•	Plug, Pipe 1/4 NPT (Not Illustrated)	S23715

Table II

HP	PH	Bracket No.	"AK" Fit	"U" Dim.	Motor Frame
60	3	H03936	12-1/2"	1-5/8"	364JP
75	3	H03936	12-1/2"	1-5/8"	365JP

NOTE: For an explanation of the tabulated material found on this page and for impeller key location, refer to **Supplement A** located at the beginning of this section.



BERKELEY® B8GPBMS

Bronze Impeller

Flanged Case, Mechanical Shaft Seal Construction

ELECTRIC MOTOR DRIVE

Section	CC
Page	420.13
Date	March 4, 2013
Supersedes 01/01/04	

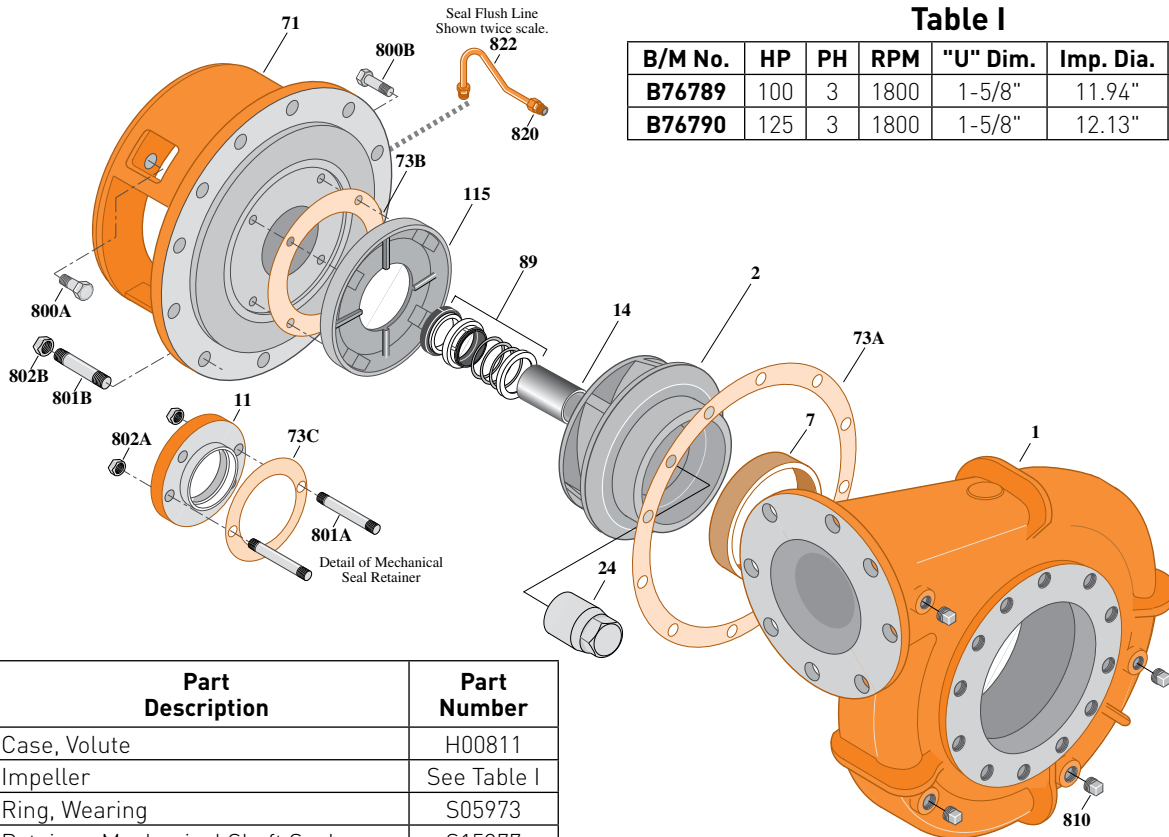


Table I

B/M No.	HP	PH	RPM	"U" Dim.	Imp. Dia.	Imp. No.
B76789	100	3	1800	1-5/8"	11.94"	M11577
B76790	125	3	1800	1-5/8"	12.13"	M11578

Item No.	Part Description	Part Number
1	Case, Volute	H00811
2	Impeller	See Table I
7	Ring, Wearing	S05973
11	Retainer, Mechanical Shaft Seal	S15377
14	Sleeve, Shaft	S07073
24	Nut, Impeller	S07829
32	Key, 3/8 x 2-1/4" [See Note]	S23940
71	Bracket	See Table II
73A	Gasket, Volute Case	S06271
73B	Gasket, Balance Ring	S09943
73C	Gasket, Seal Retainer	S16411
89	Seal, Mechanical Shaft	S32016
115	Ring, Balance	S14065
800A	Capscrew, 5/8 - 11 x 1-3/4" [8 Req.]	S27001
800B	Capscrew, 3/8 - 16 x 1-1/2" [4 Req.]	S26830
801A	Stud, 3/8 - 16 x 2-1/2" [2 Req.]	S04438
801B	Stud, 5/8 - 11 x 2-1/4" [12 Req.]	S24061
802A	Nut, Hex 3/8 - 16 [2 Req.]	S23343
802B	Nut, Hex 5/8 - 11 [12 Req.]	S23109
810	Plug, Pipe 1/2 NPT [4 Req.]	S23717
820	Connector, Comp. Fitting [2 Req.]	S24013
822	Tubing, Copper	S20677
•	Plug, Pipe 1/4 NPT [Not Illustrated]	S14692
•	Plug, Pipe 1/8 NPT [Not Illustrated]	S23714

Table II

HP	PH	Bracket No.	"AK" Fit	"U" Dim.	Motor Frame
100	3	H03936	12-1/2"	1-5/8"	404TC
125	3	H03936	12-1/2"	1-5/8"	405TC

NOTE: For an explanation of the tabulated material found on this page and for impeller key location, refer to **Supplement A** located at the beginning of this section.



BERKELEY® B8JPBH

Cast Iron Impeller

Flanged Case, Packing Construction

ELECTRIC MOTOR DRIVE

Section	CC
Page	422.1.1
Date	March 4, 2013
Supersedes 06/01/11	

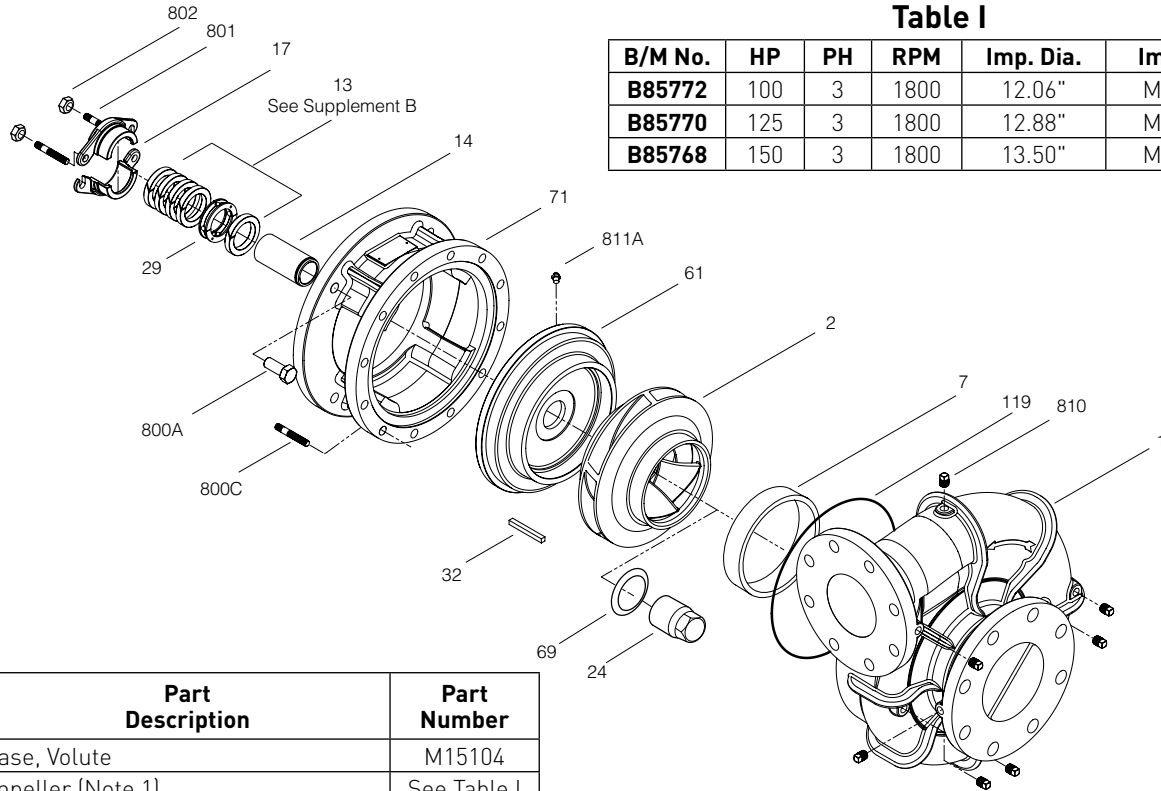


Table I

B/M No.	HP	PH	RPM	Imp. Dia.	Imp. No.
B85772	100	3	1800	12.06"	M15646
B85770	125	3	1800	12.88"	M15191
B85768	150	3	1800	13.50"	M15106

Item No.	Part Description	Part Number
1	Case, Volute	M15104
2	Impeller [Note 1]	See Table I
7	Ring, Wearing	M15126
13	Rings, Packing [Set of 6]	S16448
14	Sleeve, Shaft [Note 2]	S29517L
17	Gland, Packing [2 rqd]	M05311
24	Locknut, Impeller	S07829
29	Ring, Lantern	S14330
32	Key, Impeller 1/2 x 2-3/8" 150HP	M15123
32A	Key, Impeller 3/8 x 2" 100 & 125HP	M15124
61	Plate, Seal	M15111
69	Washer, Impeller	M15232
71	Bracket	See Table II
119	O-Ring	M15130
800A	Capscrew, 5/8 - 11 x 1-1/2" [8 rqd]	S28427
800C	Stud [12 rqd]	M15388
801	Stud, 1/2 - 13 x 2-1/2" [2 rqd]	S24358
*	Nut, Hex [12 rqd]	S23109
802	Nut, Hex, Lock, 1/2 - 13 [2 rqd]	S23347
810	Plug, Pipe [7 rqd]	S23717
811A	Fitting, Grease	S23700
*	Slinger, Water	M15129

Table II

HP	PH	Bracket No.	"AK" Fit	"U" Dim.	Motor Frame
100	3	M15114	12.5"	1.625"	404TCZ
125	3	M15114	12.5"	1.625"	405TCZ
150	3	M15113	16.0"	2.1875"	444TY

NOTE 1: Impeller kit **B85813** includes items 2, 24, 32, 69, 119. Impeller (Ref. 2) is full diameter.

NOTE 2: Shaft sleeve kit **B85812** includes items 14, 24, 32, 69, 119, adhesive and instruction sheet.

* Not illustrated.



BERKELEY® B8JPBH

Cast Iron Impeller

Flanged Case, Packing Construction

ELECTRIC MOTOR DRIVE

Section	CC
Page	422.1.2
Date	March 4, 2013
Supersedes 06/01/11	

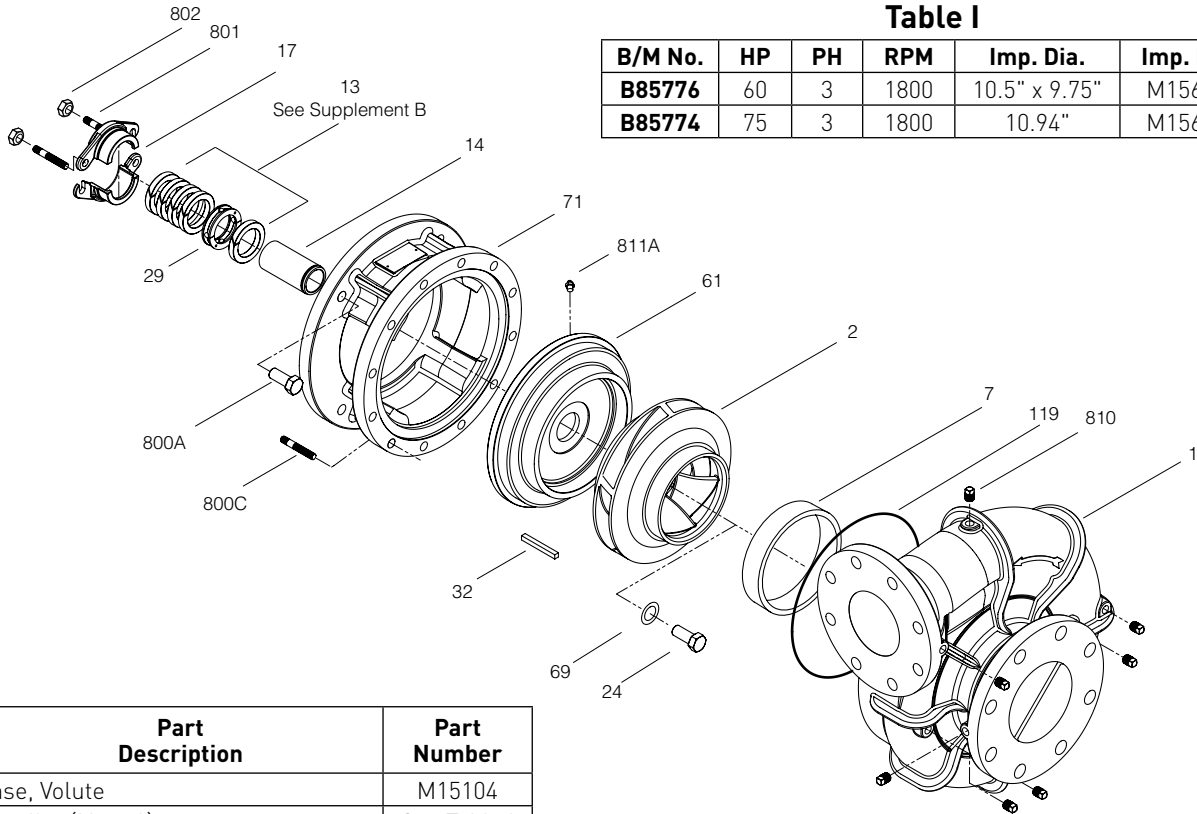


Table I

B/M No.	HP	PH	RPM	Imp. Dia.	Imp. No.
B85776	60	3	1800	10.5" x 9.75"	M15648
B85774	75	3	1800	10.94"	M15647

Item No.	Part Description	Part Number
1	Case, Volute	M15104
2	Impeller (Note 1)	See Table I
7	Ring, Wearing	M15126
13	Rings, Packing (Set of 5)	S13437
14	Sleeve, Shaft (Note 2)	M15120
17	Gland, Packing (2 rqd)	M13598
24	Capscrew, Impeller	S23623
29	Ring, Lantern	S19198
32	Key, Impeller 3/8 x 3/8 x 2"	M15124
61	Plate, Seal	M15112
69	Washer, Impeller	M15231
71	Bracket	See Table II
119	O-Ring	M15130
800A	Capscrew, 5/8 - 11 x 1-1/2" (8 rqd)	S28427
800C	Stud (12 rqd)	M15388
801	Stud, 3/8 - 16 x 2" (2 rqd)	S24335
*	Nut, Hex (12 rqd)	S23109
802	Nut, Hex, Lock, 3/8 - 16 (2 rqd)	S23343
810	Plug, Pipe	S23717
811A	Fitting, Grease	S23700
*	Slinger, Water	M15128

6420 0511

Table II

HP	PH	Bracket No.	"AK" Fit	"U" Dim.	Motor Frame
60	3	M15114	12.5"	1.625"	364JP
75	3	M15114	12.5"	1.625"	365TCZ

NOTE 1: Impeller kit **B85823** includes items 2, 24, 32, 69, 119. Impeller (Ref. 2) is full diameter.

NOTE 2: Shaft sleeve kit **B85815** includes items 14, 24, 32, 69, 119, adhesive and instruction sheet.

* Not illustrated.



BERKELEY® B8JPBHS

Cast Iron Impeller

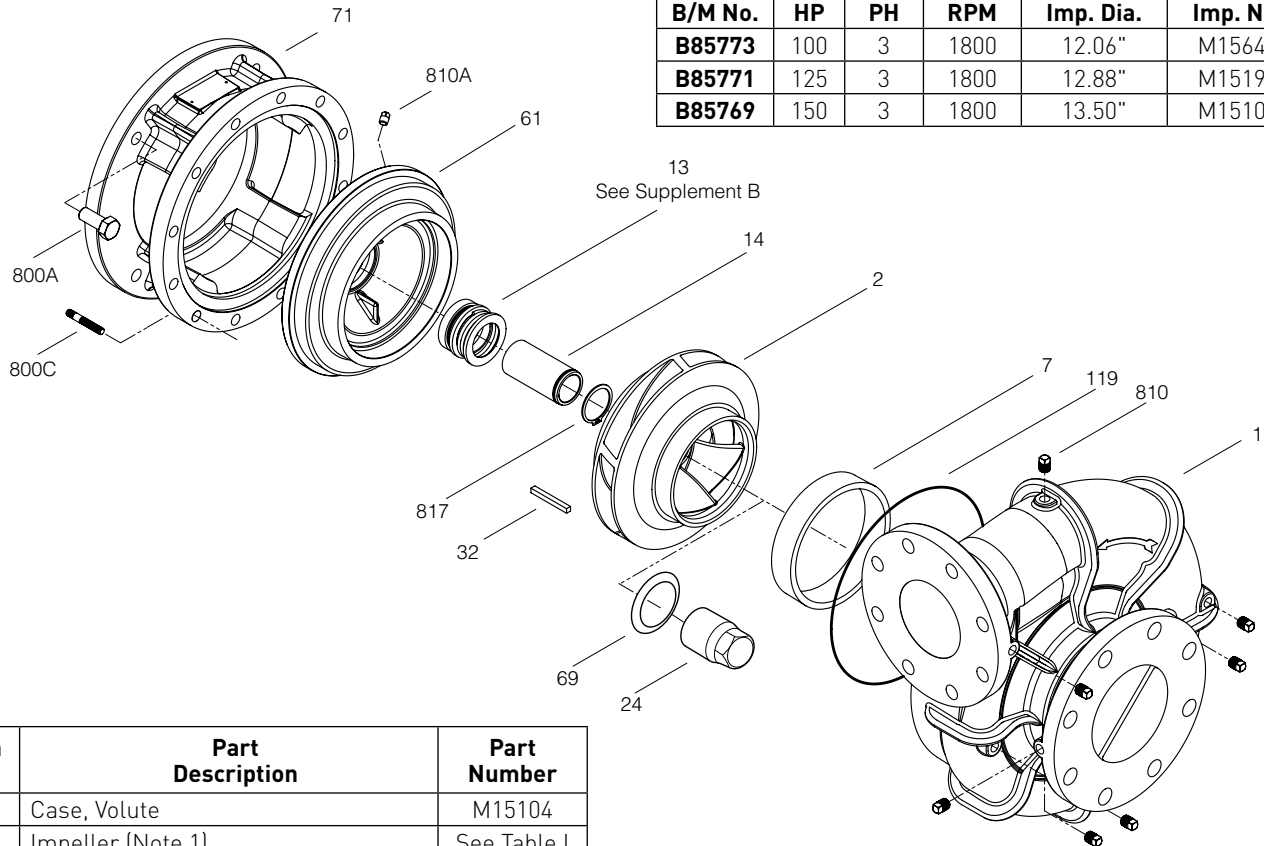
Flanged Case, Mechanical Shaft Seal Construction

ELECTRIC MOTOR DRIVE

Section	CC
Page	422.2.1
Date	March 4, 2013
Supersedes 06/01/11	

Table I

B/M No.	HP	PH	RPM	Imp. Dia.	Imp. No.
B85773	100	3	1800	12.06"	M15646
B85771	125	3	1800	12.88"	M15191
B85769	150	3	1800	13.50"	M15106



Item No.	Part Description	Part Number
1	Case, Volute	M15104
2	Impeller (Note 1)	See Table I
7	Ring, Wearing	M15126
13	Seal, Shaft	S32697
14	Sleeve, Shaft (Note 2)	S29517L
24	Locknut, Impeller	S07829
32	Key, Impeller 1/2 x 2-3/8" 150HP	M15123
32A	Key, Impeller 3/8 x 2" 100 & 125HP	M15124
61	Plate, Seal	M15108
69	Washer, Impeller	M15232
71	Bracket	See Table II
119	O-Ring	M15130
800A	Screw, 5/8 - 11 x 1-3/4" (8 rqd.)	S28427
800C	Stud (12 rqd)	M15388
*	Nut, Hex (12 rqd)	S23109
810	Plug, Pipe 1/2 NPT (7 rqd)	S23717
810A	Plug, Pipe	S23714
817	Ring, Retaining	S29519
*	Slinger, Water	M15129

Table II

HP	PH	Bracket No.	"AK" Fit	"U" Dim.	Motor Frame
100	3	M15114	12.5"	1.625"	404TCZ
125	3	M15114	12.5"	1.625"	405TCZ
150	3	M15113	16.0"	2.1875"	444TCY

NOTE 1: Impeller kit **B85813** includes items 2, 24, 32, 69, 119. Impeller (Ref. 2) is full diameter.

NOTE 2: Shaft sleeve kit **B85812** includes items 14, 24, 32, 69, 119, adhesive and instruction sheet.

* Not illustrated.



BERKELEY® B8JPBHS

Cast Iron Impeller

Flanged Case, Mechanical Shaft Seal Construction

ELECTRIC MOTOR DRIVE

Section	CC
Page	422.2.2
Date	March 4, 2013
Supersedes 06/01/11	

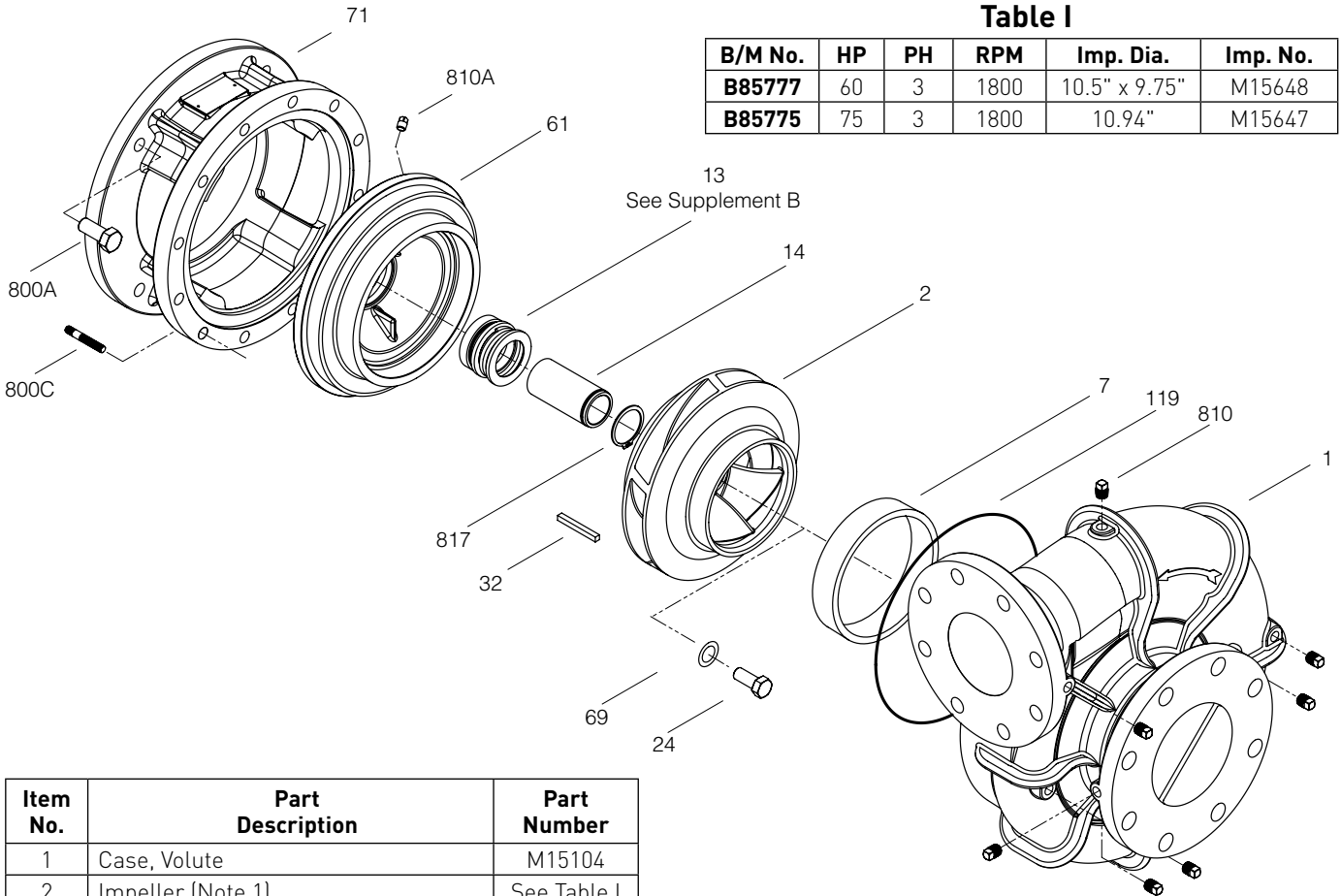


Table I

B/M No.	HP	PH	RPM	Imp. Dia.	Imp. No.
B85777	60	3	1800	10.5" x 9.75"	M15648
B85775	75	3	1800	10.94"	M15647

Item No.	Part Description	Part Number
1	Case, Volute	M15104
2	Impeller (Note 1)	See Table I
7	Ring, Wearing	M15126
13	Seal, Shaft	S32016
14	Sleeve, Shaft (Note 2)	M15120
24	Capscrew, Impeller	S23623
32	Key, 3/8 x 2-3/8"	M15124
61	Plate, Seal	M15109
69	Washer, Impeller	M15231
71	Bracket	See Table II
119	O-Ring	M15130
800A	Capscrew, 5/8 - 11 x 1-1/2" (8 reqd.)	S28427
800C	Stud (12 reqd)	M15388
*	Nut, Hex (12 reqd)	S23109
810	Plug, Pipe 1/2 NPT	S23717
810A	Plug, Pipe	S23714
817	Ring, Retaining	M15131
*	Slinger, Water	M15128

6421 0511

Table II

HP	PH	Bracket No.	"AK" Fit	"U" Dim.	Motor Frame
60	3	M15114	12.5"	1.625"	364JP
75	3	M15114	12.5"	1.625"	365TCZ

NOTE 1: Impeller kit **B85823** includes items 2, 24, 32, 69, 119. Impeller (Ref. 2) is full diameter.

NOTE 2: Shaft sleeve kit **B85815** includes items 14, 24, 32, 69, 119, adhesive and instruction sheet.

* Not illustrated.



BERKELEY® B10GPBM

Cast Iron Impeller

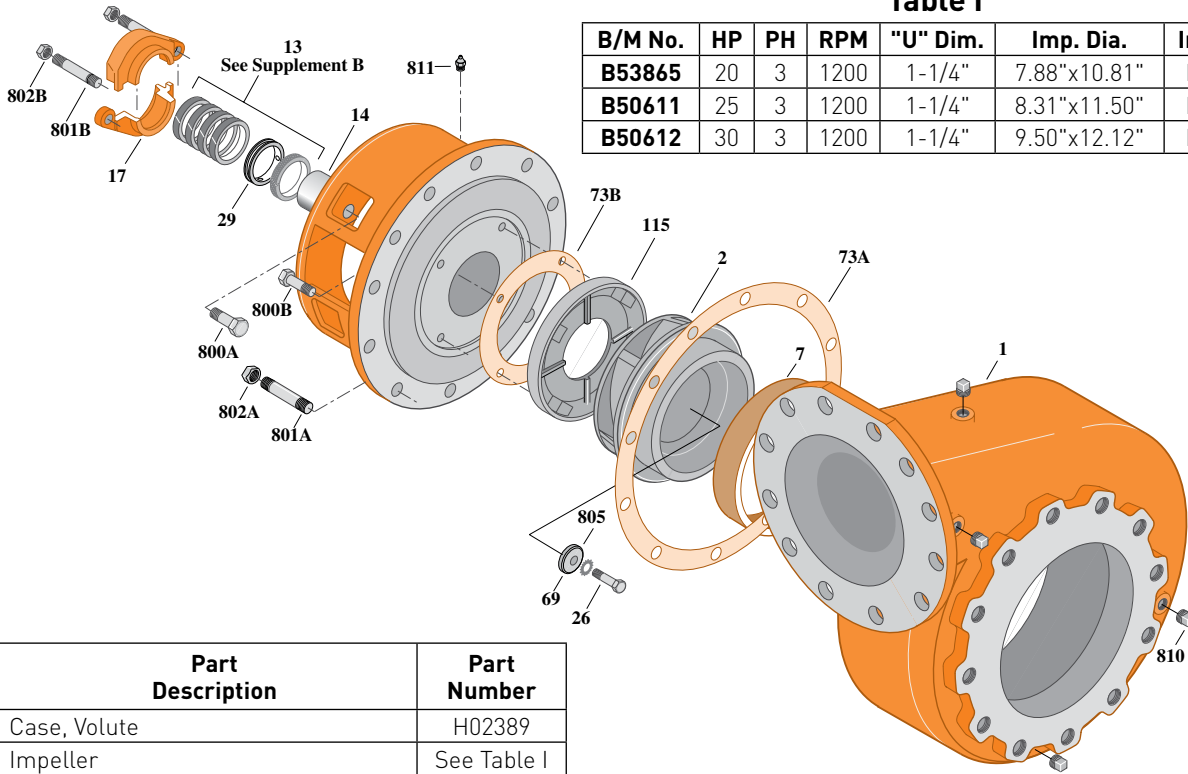
Flanged Case, Packing Construction

ELECTRIC MOTOR DRIVE

Section	CC
Page	430.1
Date	March 4, 2013
Supersedes 01/01/04	

Table I

B/M No.	HP	PH	RPM	"U" Dim.	Imp. Dia.	Imp. No.
B53865	20	3	1200	1-1/4"	7.88"x10.81"	L06204
B50611	25	3	1200	1-1/4"	8.31"x11.50"	L06203
B50612	30	3	1200	1-1/4"	9.50"x12.12"	L04240



1780 0495

Item No.	Part Description	Part Number
1	Case, Volute	H02389
2	Impeller	See Table I
7	Ring, Wearing	M00999
13	Rings, Packing (Set of 4)	S13435
14	Sleeve, Shaft	S05149
17	Gland, Packing	B82470
26	Screw, Impeller 1/2 - 13 x 2-1/2"	S23629
29	Ring, Lantern	S19200
32	Key, 1/4 x 2-1/4" (See Note)	S23677
69	Washer, Impeller	S06319
71	Bracket	See Table II
73A	Gasket, Volute Case	S06271
73B	Gasket, Balance Ring	S09943
115	Ring, Balance	S14065
800A	Capscrew, 5/8 - 11 x 1-1/2" [4 Req.]	S26999
800B	Capscrew, 3/8 - 16 x 1-1/2" [4 Req.]	S26830
801A	Stud, 5/8 - 11 x 2-1/4" [12 Req.]	S24061
801B	Stud, 3/8 - 16 x 2-1/2" [2 Req.]	S04438
802A	Nut, Hex 5/8 - 11 [12 Req.]	S23109
802B	Nut, Hex 3/8 - 16 [2 Req.]	S23343
805	Washer, Lock	S23038
810	Plug, Pipe 1/2 NPT [4 Req.]	S23717
811	Fitting, Grease	S23700
812	Elbow, Street	S25421

Table II

HP	PH	Bracket No.	"AK" Fit	"U" Dim.	Motor Frame
20	3	H01601	12-1/2"	1-1/4"	286JP
25	3	H01601	12-1/2"	1-1/4"	324JP
30	3	H01601	12-1/2"	1-1/4"	326JP

NOTE: For an explanation of the tabulated material found on this page and for impeller key location, refer to **Supplement A** located at the beginning of this section.



BERKELEY® B10GPBM

Cast Iron Impeller

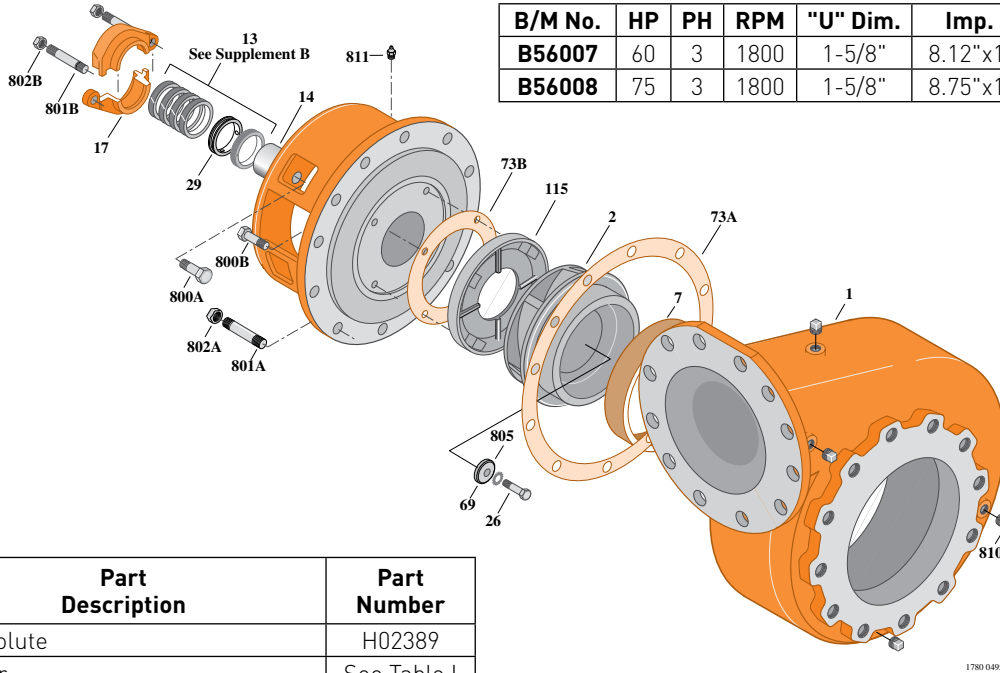
Flanged Case, Packing Construction

ELECTRIC MOTOR DRIVE

Section	CC
Page	430.2
Date	March 4, 2013
Supersedes 01/01/04	

Table I

B/M No.	HP	PH	RPM	"U" Dim.	Imp. Dia.	Imp. No.
B56007	60	3	1800	1-5/8"	8.12"x10.12"	L06205
B56008	75	3	1800	1-5/8"	8.75"x10.75"	L06206



Item No.	Part Description	Part Number
1	Case, Volute	H02389
2	Impeller	See Table I
7	Ring, Wearing	M00999
13	Rings, Packing (Set of 4)	S13437
14	Sleeve, Shaft	S07073
17	Gland, Packing	B82471
26	Screw, Impeller 1/2 - 13 x 2-1/2"	S23621
29	Ring, Lantern	S19198
32	Key, 1/4 x 2-1/4" (See Note)	S23677
69	Washer, Impeller	S34492
71	Bracket	See Table II
73A	Gasket, Volute Case	S06271
73B	Gasket, Balance Ring	S09943
115	Ring, Balance	S14065
800A	Capscrew, 5/8 - 11 x 1-3/4" [4 Req.]	S27001
800B	Capscrew, 3/8 - 16 x 1-1/2" [4 Req.]	S26830
801A	Stud, 5/8 - 11 x 2" [12 Req.]	S24060
801B	Stud, 3/8 - 16 x 2-1/2" [2 Req.]	S04438
802A	Nut, Hex 5/8 - 11 [12 Req.]	S23109
802B	Nut, Hex 3/8 - 16 [2 Req.]	S23343
805	Washer, Lock	S23038
810	Plug, Pipe 1/2 NPT [5 Req.]	S23717
811	Fitting, Grease	S23700
812	Elbow, Street	S25421
•	Plug, Pipe 1/4 NPT [2 Req.] (Not Illustrated)	S23715

Table II

HP	PH	Bracket No.	"AK" Fit	"U" Dim.	Motor Frame
60	3	H03622	12-1/2"	1-5/8"	364JP
75	3	H03622	12-1/2"	1-5/8"	365JP

NOTE: For an explanation of the tabulated material found on this page and for impeller key location, refer to **Supplement A** located at the beginning of this section.



BERKELEY® B10GPBM

Cast Iron Impeller

Flanged Case, Packing Construction

ELECTRIC MOTOR DRIVE

Section	CC
Page	430.3
Date	March 4, 2013
Supersedes 01/01/04	

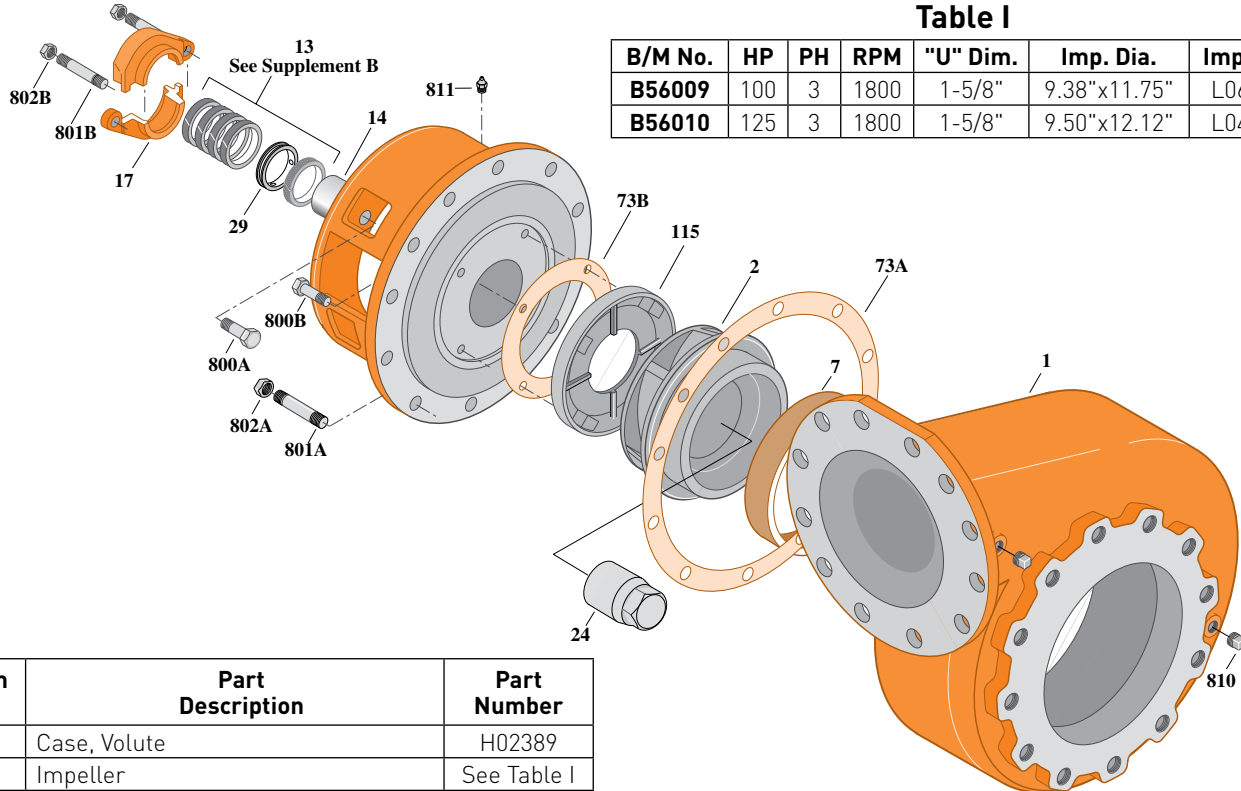


Table I

B/M No.	HP	PH	RPM	"U" Dim.	Imp. Dia.	Imp. No.
B56009	100	3	1800	1-5/8"	9.38"x11.75"	L06207
B56010	125	3	1800	1-5/8"	9.50"x12.12"	L04123

Item No.	Part Description	Part Number
1	Case, Volute	H02389
2	Impeller	See Table I
7	Ring, Wearing	M00999
13	Rings, Packing (Set of 4)	S13437
14	Sleeve, Shaft	S07073
17	Gland, Packing	B82471
24	Nut, Impeller	S07829
29	Ring, Lantern	S19198
32	Key, 3/8 x 2-1/4" (See Note)	S23940
71	Bracket	See Table II
73A	Gasket, Volute Case	S06271
73B	Gasket, Balance Ring	S09943
115	Ring, Balance	S14065
800A	Capscrew, 5/8 - 11 x 1-3/4" [4 Req.]	S27001
800B	Capscrew, 3/8 - 16 x 1-1/2" [4 Req.]	S26830
801A	Stud, 5/8 - 11 x 2" [12 Req.]	S24060
801B	Stud, 3/8 - 16 x 2-1/2" [2 Req.]	S04438
802A	Nut, Hex 5/8 - 11 [12 Req.]	S23109
802B	Nut, Hex 3/8 - 16 [2 Req.]	S23343
810	Plug, Pipe 1/2 NPT [5 Req.]	S23717
811	Fitting, Grease	S23700
812	Elbow, Street	S25421
•	Plug, Pipe 1/4 NPT [2 Req.] (Not Illustrated)	S23715

Table II

HP	PH	Bracket No.	"AK" Fit	"U" Dim.	Motor Frame
100	3	H03622	12-1/2"	1-5/8"	404TC
125	3	H03622	12-1/2"	1-5/8"	405TC

NOTE: For an explanation of the tabulated material found on this page and for impeller key location, refer to **Supplement A** located at the beginning of this section.

BERKELEY® B10GPBMS

Cast Iron Impeller

Flanged Case, Mechanical Shaft Seal Construction

ELECTRIC MOTOR DRIVE

Section	CC
Page	430.4
Date	March 4, 2013
Supersedes 01/01/04	

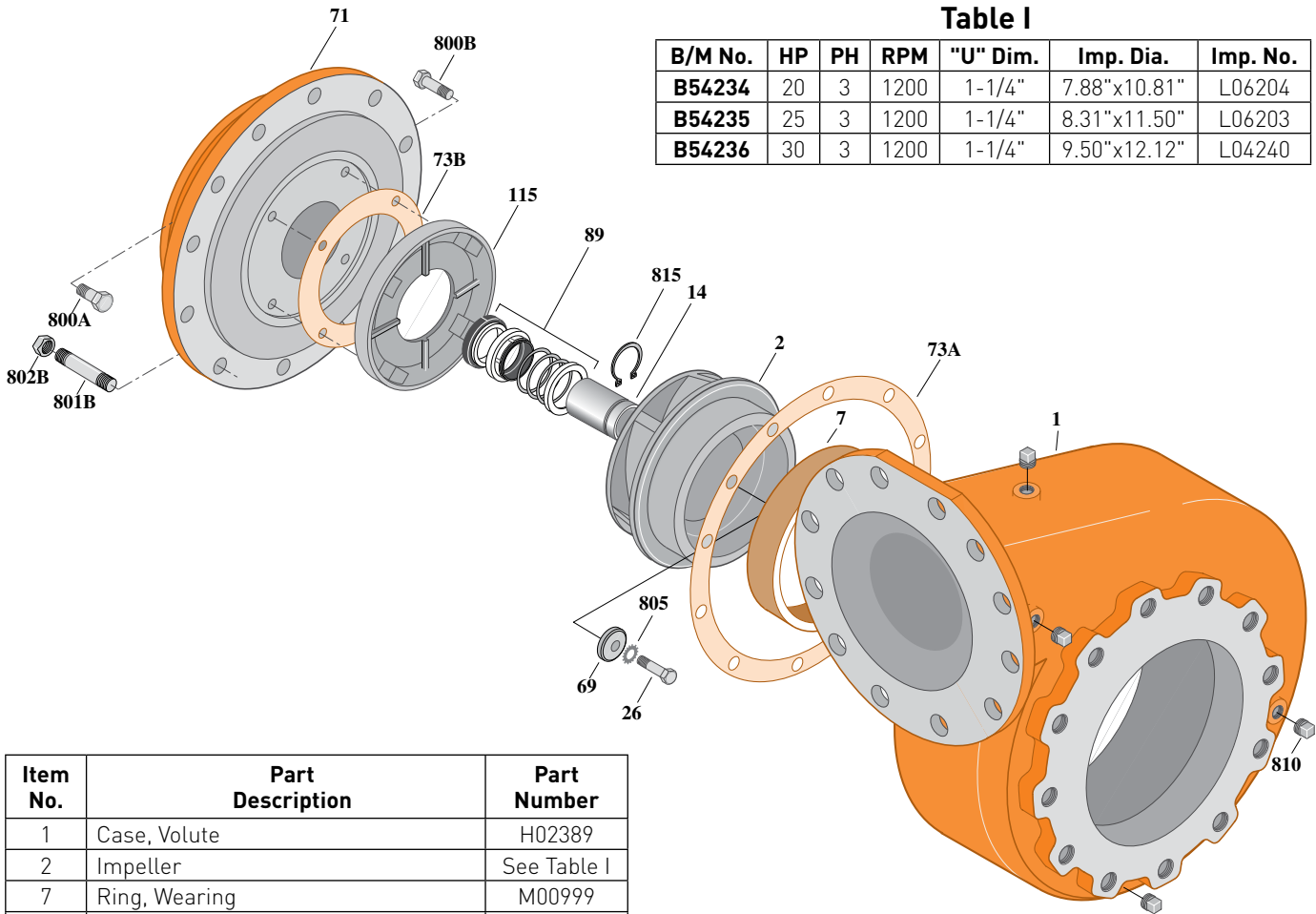


Table I

B/M No.	HP	PH	RPM	"U" Dim.	Imp. Dia.	Imp. No.
B54234	20	3	1200	1-1/4"	7.88"x10.81"	L06204
B54235	25	3	1200	1-1/4"	8.31"x11.50"	L06203
B54236	30	3	1200	1-1/4"	9.50"x12.12"	L04240

Item No.	Part Description	Part Number
1	Case, Volute	H02389
2	Impeller	See Table I
7	Ring, Wearing	M00999
14	Sleeve, Shaft	S18869
26	Screw, Impeller 1/2 - 13 x 2-1/2"	S23629
32	Key, 1/4 x 2-1/4" (See Note)	S23677
69	Washer, Impeller	S06319
71	Bracket	See Table II
73A	Gasket, Volute Case	S06271
73B	Gasket, Balance Ring	S09943
89	Seal, Mechanical Shaft	S32015
115	Ring, Balance	S19073
800A	Capscrew, 5/8 - 11 x 1-1/2" [4 Req.]	S26999
800B	Capscrew, 3/8 - 16 x 1" [4 Req.]	S26826
801	Stud, 5/8 - 11 x 2-1/4" [12 Req.]	S24061
802	Nut, Hex 5/8 - 11 [12 Req.]	S23109
805	Washer, Lock	S23038
810	Plug, Pipe 1/2 NPT [4 Req.]	S23717
815	Ring, Retaining	S16767
•	Ring Spacer (Not Illustrated)	S19349

Table II

HP	PH	Bracket No.	"AK" Fit	"U" Dim.	Motor Frame
20	3	H03301	12-1/2"	1-1/4"	286JM
25	3	H03301	12-1/2"	1-1/4"	324JM
30	3	H03301	12-1/2"	1-1/4"	326JM

NOTE: For an explanation of the tabulated material found on this page and for impeller key location, refer to **Supplement A** located at the beginning of this section.



BERKELEY® B10GPBMS

ELECTRIC MOTOR DRIVE

Cast Iron Impeller

Flanged Case, Mechanical Shaft Seal Construction

Section	CC
Page	430.5
Date	March 4, 2013
Supersedes 01/01/04	

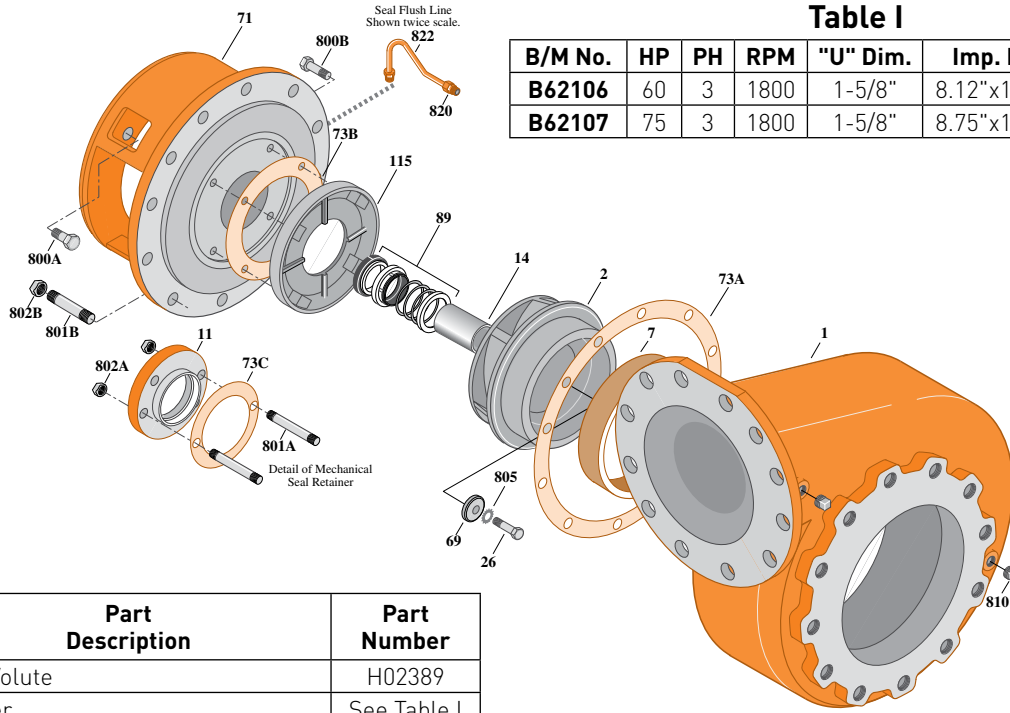


Table I

B/M No.	HP	PH	RPM	"U" Dim.	Imp. Dia.	Imp. No.
B62106	60	3	1800	1-5/8"	8.12"x10.12"	L06205
B62107	75	3	1800	1-5/8"	8.75"x10.75"	L06206

Item No.	Part Description	Part Number
1	Case, Volute	H02389
2	Impeller	See Table I
7	Ring, Wearing	M00999
11	Retainer, Mechanical Shaft Seal	S15377
14	Sleeve, Shaft	S07073
26	Screw, Impeller 1/2 - 13 x 1-1/4"	S23621
32	Key, 1/4 x 2-1/4" [See Note]	S23677
69	Washer, Impeller	S34492
71	Bracket	See Table II
73A	Gasket, Volute Case	S06271
73B	Gasket, Balance Ring	S09943
73C	Gasket, Seal Retainer	S16411
89	Seal, Mechanical Shaft	S32016
115	Ring, Balance	S14065
800A	Capscrew, 5/8 - 11 x 1-3/4" [4 Req.]	S27001
800B	Capscrew, 3/8 - 16 x 1-1/2" [4 Req.]	S26830
801A	Stud, 3/8 - 16 x 2-1/2" [2 Req.]	S04438
801B	Stud, 5/8 - 11 x 2" [12 Req.]	S24060
802A	Nut, Hex 3/8 - 16 [2 Req.]	S23343
802B	Nut, Hex 5/8 - 11 [12 Req.]	S23109
805	Washer, Lock	S23038
810	Plug, Pipe 1/2 NPT [5 Req.]	S23717
820	Connector, Comp. Fitting [2 Req.]	S24013
822	Tubing, Copper	S20677
•	Plug, Pipe 1/8 NPT [Not Illustrated]	S23714
•	Plug, Pipe 1/4 NPT [Not Illustrated]	S19349

Table II

HP	PH	Bracket No.	"AK" Fit	"U" Dim.	Motor Frame
60	3	H03936	12-1/2"	1-5/8"	364JP
75	3	H03936	12-1/2"	1-5/8"	365JP

NOTE: For an explanation of the tabulated material found on this page and for impeller key location, refer to **Supplement A** located at the beginning of this section.



BERKELEY® B10GPBMS

Cast Iron Impeller

Flanged Case, Mechanical Shaft Seal Construction

ELECTRIC MOTOR DRIVE

Section	CC
Page	430.6
Date	March 4, 2013
Supersedes 01/01/04	

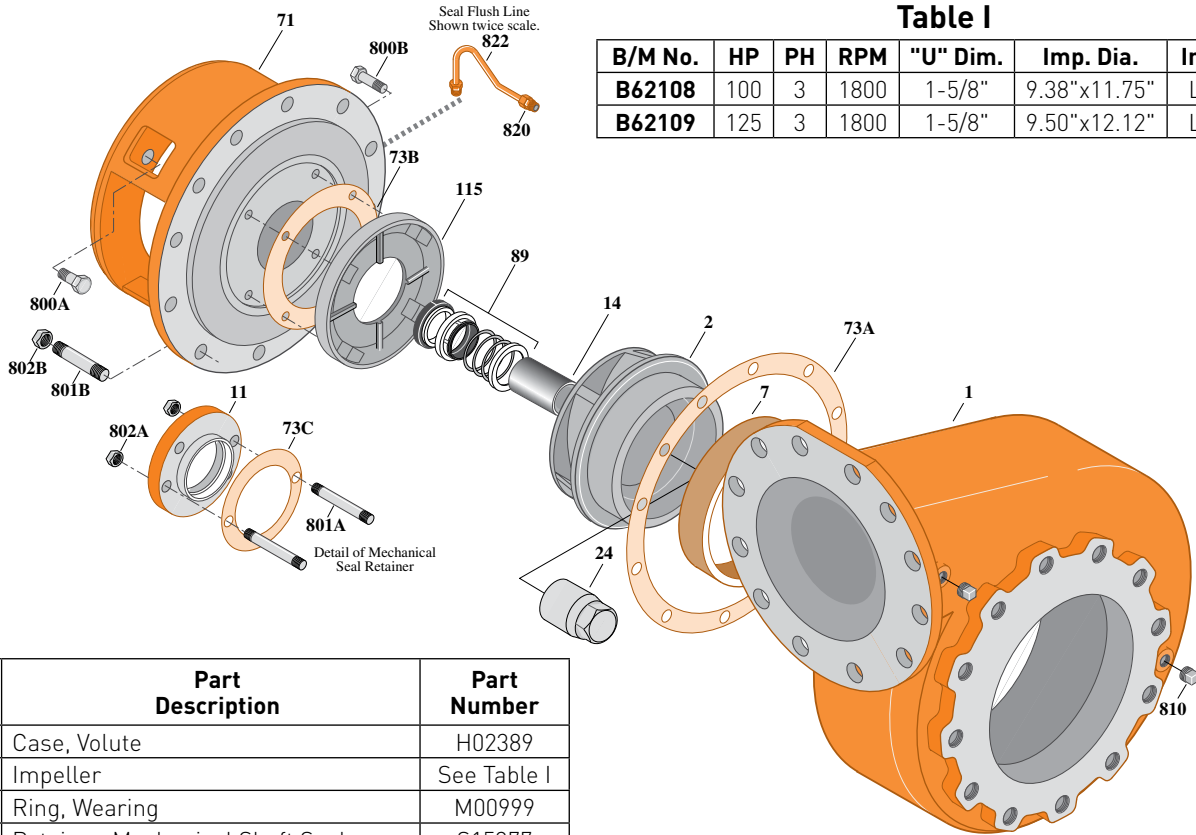


Table I

B/M No.	HP	PH	RPM	"U" Dim.	Imp. Dia.	Imp. No.
B62108	100	3	1800	1-5/8"	9.38"x11.75"	L06207
B62109	125	3	1800	1-5/8"	9.50"x12.12"	L04123

Item No.	Part Description	Part Number
1	Case, Volute	H02389
2	Impeller	See Table I
7	Ring, Wearing	M00999
11	Retainer, Mechanical Shaft Seal	S15377
14	Sleeve, Shaft	S07073
24	Nut, Impeller	S07829
32	Key, 3/8 x 2-1/4" [See Note]	S23940
71	Bracket	See Table II
73A	Gasket, Volute Case	S06271
73B	Gasket, Balance Ring	S09943
73C	Gasket, Seal Retainer	S16411
89	Seal, Mechanical Shaft	S32016
115	Ring, Balance	S14065
800A	Capscrew, 5/8 - 11 x 1-3/4" [4 Req.]	S27001
800B	Capscrew, 3/8 - 16 x 1-1/2" [4 Req.]	S26830
801A	Stud, 3/8 - 16 x 2-1/2" [2 Req.]	S04438
801B	Stud, 5/8 - 11 x 2" [12 Req.]	S24060
802A	Nut, Hex 3/8 - 16 [2 Req.]	S23343
802B	Nut, Hex 5/8 - 11 [12 Req.]	S23109
810	Plug, Pipe 1/2 NPT [5 Req.]	S23717
820	Connector, Comp. Fitting [2 Req.]	S24013
822	Tubing, Copper	S20677
•	Plug, Pipe 1/8 NPT [Not Illustrated]	S23714
•	Plug, Pipe 1/4 NPT [Not Illustrated]	S19349

Table II

HP	PH	Bracket No.	"AK" Fit	"U" Dim.	Motor Frame
100	3	H03936	12-1/2"	1-5/8"	404TC
125	3	H03936	12-1/2"	1-5/8"	405TC

NOTE: For an explanation of the tabulated material found on this page and for impeller key location, refer to **Supplement A** located at the beginning of this section.



BERKELEY® B10GPBM

Cast Iron Impeller

Flanged Case, Packing Construction

ELECTRIC MOTOR DRIVE

Section	CC
Page	430.7
Date	March 4, 2013
Supersedes 01/01/04	

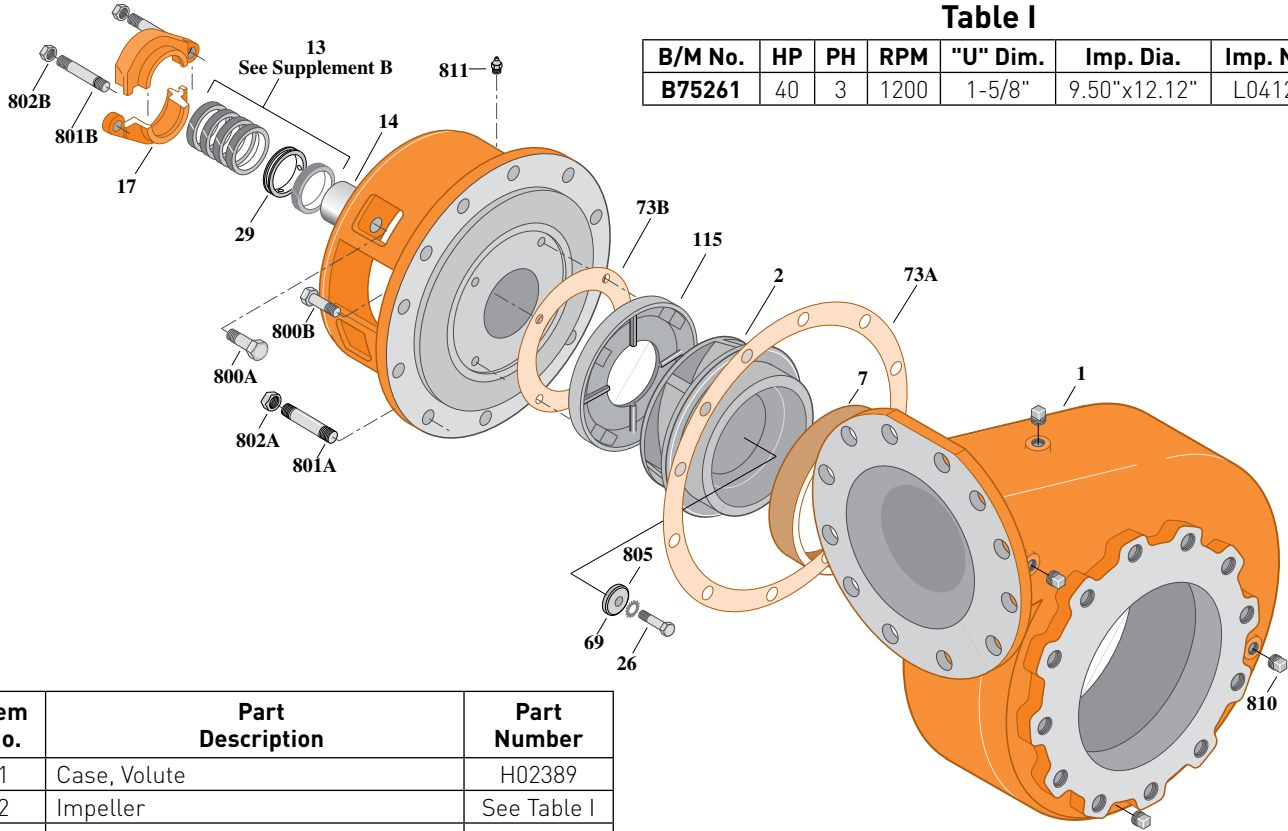


Table I

B/M No.	HP	PH	RPM	"U" Dim.	Imp. Dia.	Imp. No.
B75261	40	3	1200	1-5/8"	9.50"x12.12"	L04123

Item No.	Part Description	Part Number
1	Case, Volute	H02389
2	Impeller	See Table I
7	Ring, Wearing	M00999
13	Rings, Packing [Set of 4]	S13437
14	Sleeve, Shaft	S07073
17	Gland, Packing	B82471
26	Screw, Impeller 1/2 - 13 x 1-1/4"	S23621
29	Ring, Lantern	S19198
32	Key, 3/8 x 2-1/4" [See Note]	S23940
69	Washer, Impeller	S34492
71	Bracket	See Table II
73A	Gasket, Volute Case	S06271
73B	Gasket, Balance Ring	S09943
115	Ring, Balance	S14065
800A	Capscrew, 5/8 - 11 x 1-3/4" [4 Req.]	S27001
800B	Capscrew, 3/8 - 16 x 1-1/2" [4 Req.]	S26830
801A	Stud, 5/8 - 11 x 2" [12 Req.]	S24060
801B	Stud, 3/8 - 16 x 2-1/2" [2 Req.]	S04438
802A	Nut, Hex 5/8 - 11 [12 Req.]	S23109
802B	Nut, Hex 3/8 - 16 [2 Req.]	S23343
805	Washer, Lock	S23038
810	Plug, Pipe 1/2" NPT [5 Req.]	S23717
811	Fitting, Grease	S23700

Table II

HP	PH	Bracket No.	"AK" Fit	"U" Dim.	Motor Frame
40	3	H03622	12-1/2"	1-5/8"	364TCZ

NOTE: For an explanation of the tabulated material found on this page and for impeller key location, refer to **Supplement A** located at the beginning of this section.



BERKELEY® B10GPBMS

Cast Iron Impeller

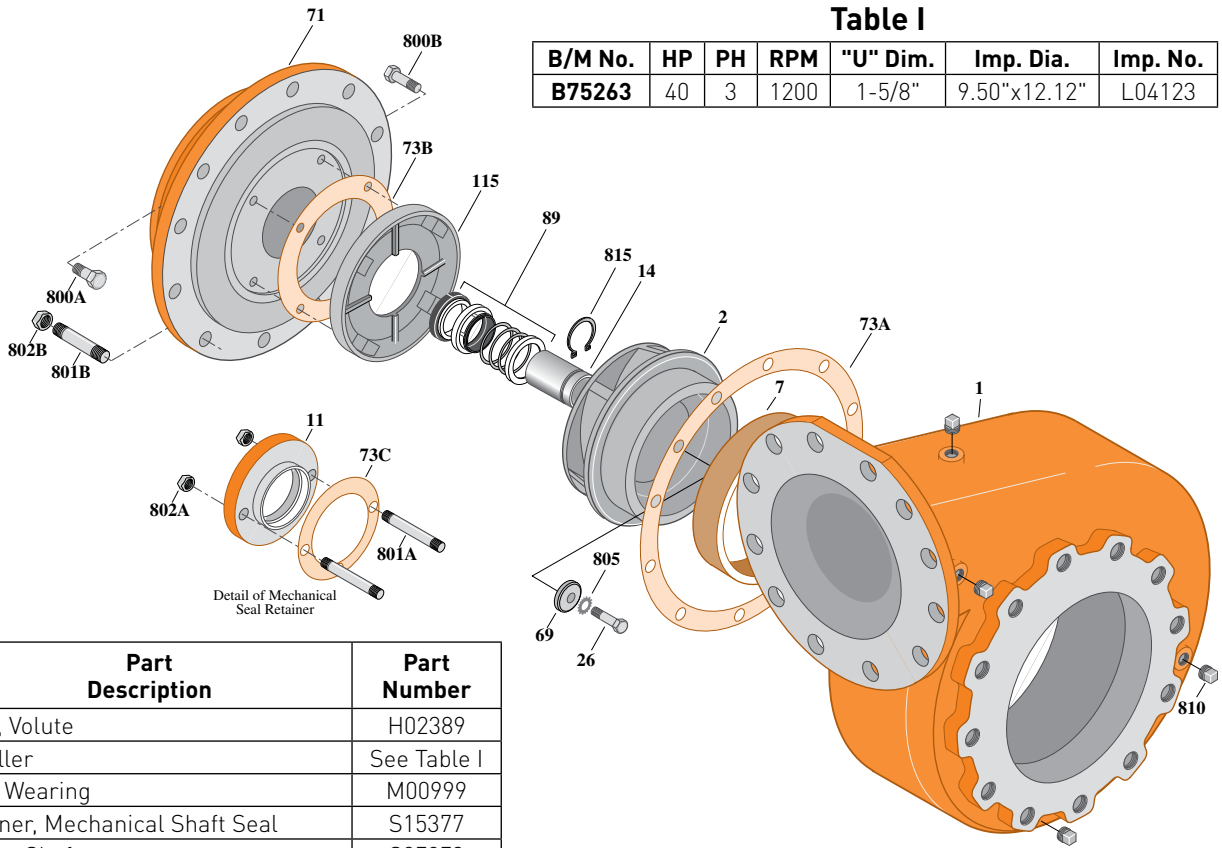
Flanged Case, Mechanical Shaft Seal Construction

ELECTRIC MOTOR DRIVE

Section	CC
Page	430.8
Date	March 4, 2013
Supersedes 01/01/04	

Table I

B/M No.	HP	PH	RPM	"U" Dim.	Imp. Dia.	Imp. No.
B75263	40	3	1200	1-5/8"	9.50"x12.12"	L04123



Item No.	Part Description	Part Number
1	Case, Volute	H02389
2	Impeller	See Table I
7	Ring, Wearing	M00999
11	Retainer, Mechanical Shaft Seal	S15377
14	Sleeve, Shaft	S07073
26	Screw, Impeller 1/2 - 13 x 1-1/4"	S23621
32	Key, 3/8 x 2-1/4" (See Note)	S23490
69	Washer, Impeller	S34492
71	Bracket	See Table II
73A	Gasket, Volute Case	S06271
73B	Gasket, Balance Ring	S09943
73C	Gasket, Mechanical Shaft Seal Retainer	S15078
89	Seal, Mechanical Shaft	S32016
115	Ring, Balance	S14065
800A	Capscrew, 5/8 - 11 x 1-3/4" [4 Req.]	S27001
800B	Capscrew, 3/8 - 16 x 1-1/2" [4 Req.]	S26830
801A	Stud, 3/8 - 16 x 2-1/2" [2 Req.]	S04438
801B	Stud, 5/8 - 11 x 2" [12 Req.]	S24060
802A	Nut, Hex 3/8 - 16 [2 Req.]	S23343
802B	Nut, Hex 5/8 - 11 [12 Req.]	S23109
805	Washer, Lock	S23038
810	Plug, Pipe 1/2" NPT [5 Req.]	S23717
•	Plug, Pipe 1/8" NPT(In Bracket)[2 Req.]	S23714

• Not illustrated.

Table II

HP	PH	Bracket No.	"AK" Fit	"U" Dim.	Motor Frame
40	3	H03936	12-1/2"	1-5/8"	364JMZ

NOTE 1: For an explanation of the tabulated material found on this page and for impeller key location, refer to **Supplement A** located at the beginning of this section.

NOTE 2: For seal flush line details, see **Supplement D**.



BERKELEY® B10JPBH

Cast Iron Impeller

Flanged Case, Packing Construction

ELECTRIC MOTOR DRIVE

Section	CC
Page	440.1.1
Date	March 4, 2013
Supersedes 06/01/11	

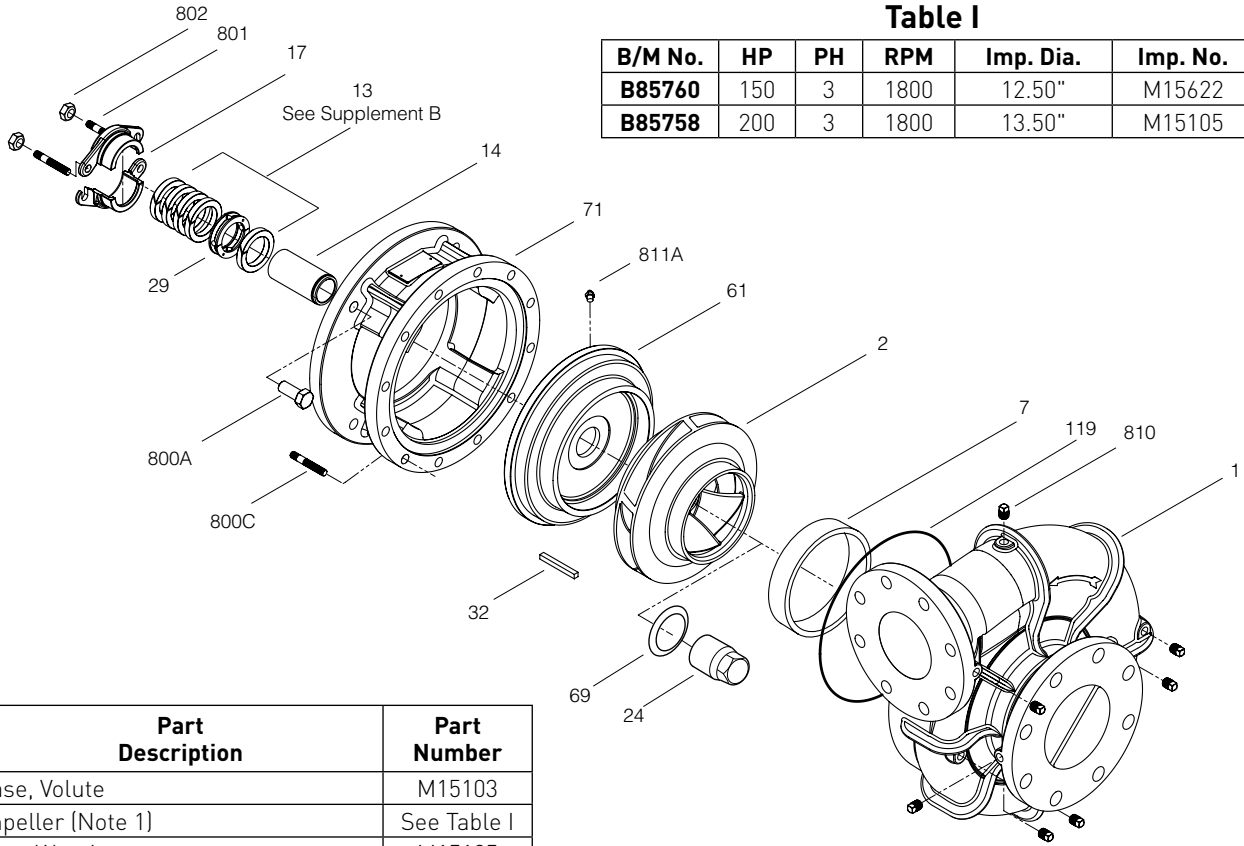


Table I

B/M No.	HP	PH	RPM	Imp. Dia.	Imp. No.
B85760	150	3	1800	12.50"	M15622
B85758	200	3	1800	13.50"	M15105

Item No.	Part Description	Part Number
1	Case, Volute	M15103
2	Impeller (Note 1)	See Table I
7	Ring, Wearing	M15125
13	Rings, Packing (Set of 5)	S16448
14	Sleeve, Shaft (Note 2)	S29517L
17	Gland, Packing (2 rqd)	M05311
24	Locknut, Impeller	S07829
29	Ring, Lantern	S14330
32	Key, Impeller 1/2 x 2-3/4"	M15123
61	Plate, Seal	M15110
69	Washer, Impeller	M15232
71	Bracket	See Table II
119	O-Ring	M15130
800A	Capscrew, 5/8 - 11 x 1-3/4" (8 rqd)	S28427
800C	Stud (12 rqd)	M15388
*	Nut, Hex (12 rqd)	S23490
801	Stud, 3/8 - 16 x 2-1/2" (2 rqd)	S24358
802	Nut, Hex, Lock, 3/8 - 16 (2 rqd)	S23347
810	Plug, Pipe	S23717
811A	Fitting, Grease	S23700
*	Slinger, Water	M15129

6412 0411

Table II

HP	PH	Bracket No.	"AK" Fit	"U" Dim.	Motor Frame
150	3	M15113	16.00"	2.1875"	444TY
200	3	M15113	16.00"	2.1875"	445TY

NOTE 1: Impeller kit **B85810** includes items 2, 24, 32, 69, 119. Impeller (Ref. 2) is full diameter.

NOTE 2: Shaft sleeve kit **B85812** includes items 14, 24, 32, 69, 119, adhesive and instruction sheet.

* Not illustrated.



BERKELEY® B10JPBH

Cast Iron Impeller

Flanged Case, Packing Construction

ELECTRIC MOTOR DRIVE

Section	CC
Page	440.1.2
Date	March 4, 2013
Supersedes 06/01/11	

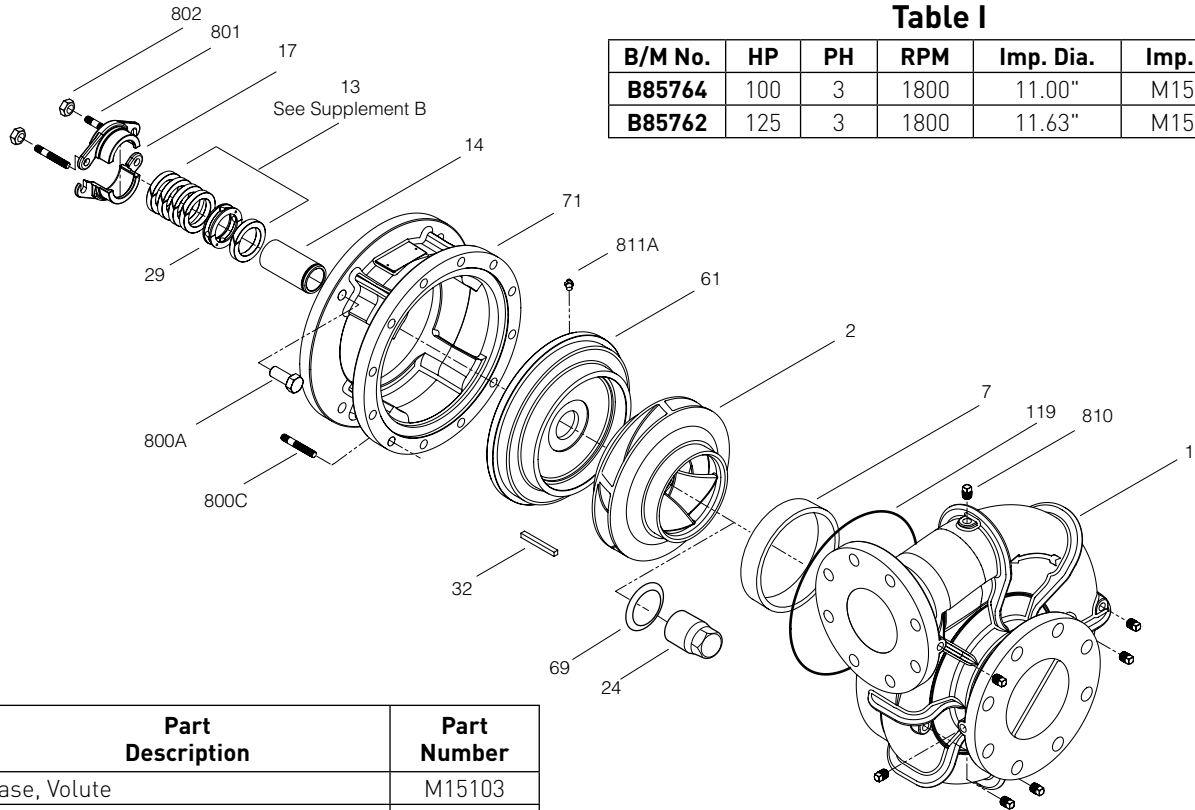


Table I

B/M No.	HP	PH	RPM	Imp. Dia.	Imp. No.
B85764	100	3	1800	11.00"	M15623
B85762	125	3	1800	11.63"	M15223

Item No.	Part Description	Part Number
1	Case, Volute	M15103
2	Impeller (Note 1)	See Table I
7	Ring, Wearing	M15125
13	Rings, Packing (Set of 5)	S13437
14	Sleeve, Shaft (Note 2)	M15120
17	Gland, Packing (2 rqd)	M13598
24	Locknut, Impeller	S07829
29	Ring, Lantern	S19198
32	Key, Impeller 3/8 x 3/8 x 2"	M15124
61	Plate, Seal	M15222
69	Washer, Impeller	M15232
71	Bracket	See Table II
119	O-Ring	M15130
800A	Screw, 5/8 - 11 x 1-3/4" (8 rqd)	S28427
800C	Stud (12 rqd)	M15388
*	Nut, Hex (12 rqd)	S23490
801	Stud, 3/8 - 16 x 2" (2 rqd)	S24335
802	Nut, Hex, Lock, 3/8 - 16 (2 rqd)	S23343
810	Plug, Pipe	S23717
811A	Fitting, Grease	S23700
*	Slinger, Water	M15128

6412 0411

Table II

HP	PH	Bracket No.	"AK" Fit	"U" Dim.	Motor Frame
100	3	M15114	12.50"	1.625"	404TCZ
125	3	M15114	12.50"	1.625"	405TCZ

NOTE 1: Impeller kit **B85822** includes items 2, 24, 32, 69, 119. Impeller (Ref. 2) is full diameter.

NOTE 2: Shaft sleeve kit **B85815** includes items 14, 24, 32, 69, 119, adhesive and instruction sheet.

* Not illustrated.



BERKELEY® B10JPBHS

Cast Iron Impeller

Flanged Case, Mechanical Shaft Seal Construction

ELECTRIC MOTOR DRIVE

Section	CC
Page	440.2.1
Date	March 4, 2013
Supersedes 06/01/11	

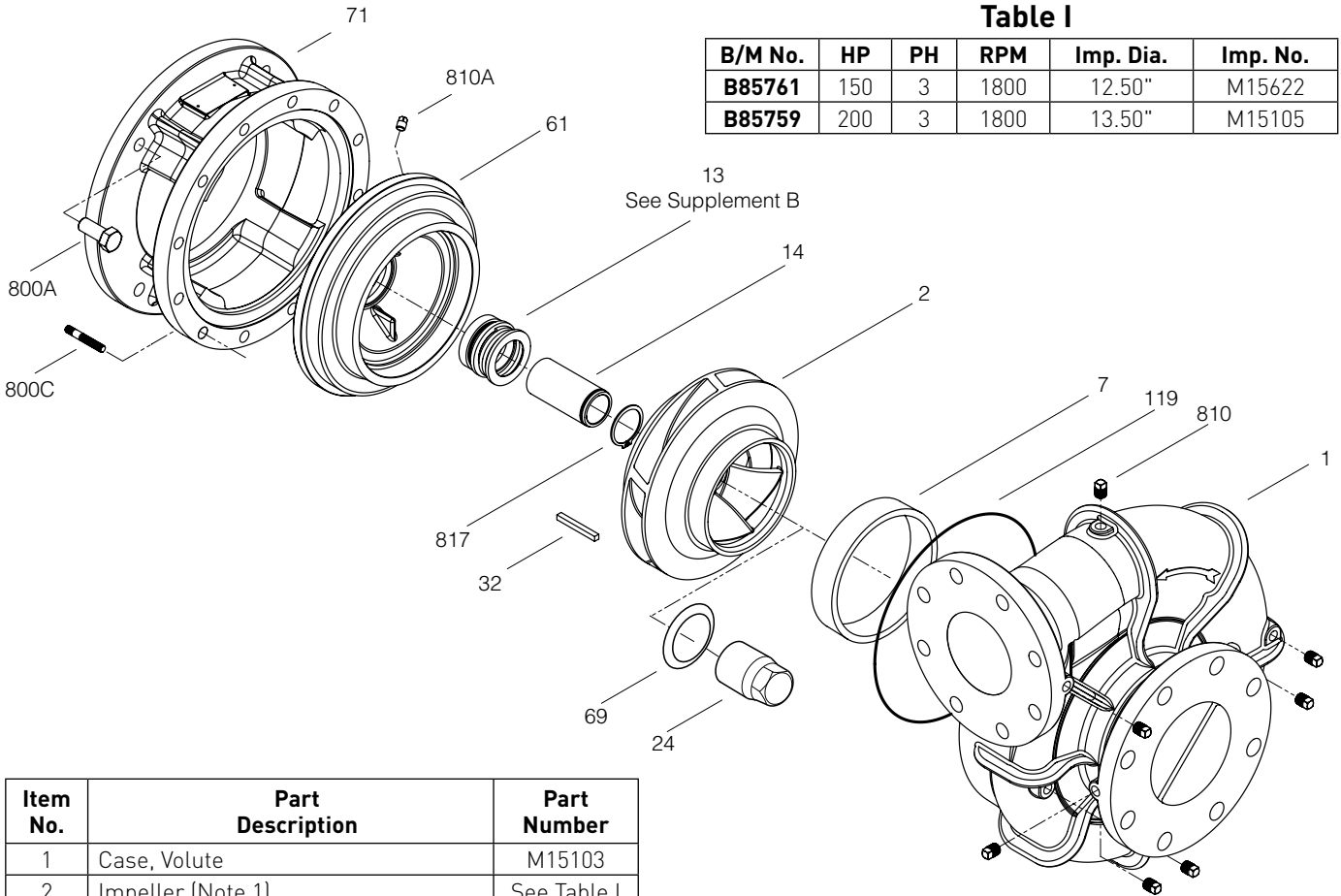


Table I

B/M No.	HP	PH	RPM	Imp. Dia.	Imp. No.
B85761	150	3	1800	12.50"	M15622
B85759	200	3	1800	13.50"	M15105

Item No.	Part Description	Part Number
1	Case, Volute	M15103
2	Impeller (Note 1)	See Table I
7	Ring, Wearing	M15125
13	Seal, Shaft	S32697
14	Sleeve, Shaft (Note 2)	S29517L
24	Locknut, Impeller	S07829
32	Key, 3/8 x 3/8 x 2"	M15124
61	Plate, Seal	M15107
69	Washer, Impeller	M15232
71	Bracket	See Table II
119	O-Ring	M15130
800A	Screw, 5/8 - 11 x 1-1/2" (8 rqd)	S28427
800C	Stud (12 rqd)	M15388
*	Nut, Hex (12 rqd)	S23490
810	Plug, Pipe 1/2 NPT	S23717
810A	Plug, Pipe	S23714
817	Ring, Retaining	S29519
*	Slinger, Water	M15129

Table II

HP	PH	Bracket No.	"AK" Fit	"U" Dim.	Motor Frame
150	3	M15113	16.00"	2.1875"	444TY
200	3	M15113	16.00"	2.1875"	445TY

NOTE 1: Impeller kit **B85810** includes items 2, 24, 32, 69, 119. Impeller (Ref. 2) is full diameter.

NOTE 2: Shaft sleeve kit **B85812** includes items 14, 24, 32, 69, 119, adhesive and instruction sheet.

* Not illustrated.



BERKELEY® B10JPBHS

Cast Iron Impeller

Flanged Case, Mechanical Shaft Seal Construction

ELECTRIC MOTOR DRIVE

Section	CC
Page	440.2.2
Date	March 4, 2013
Supersedes 06/01/11	

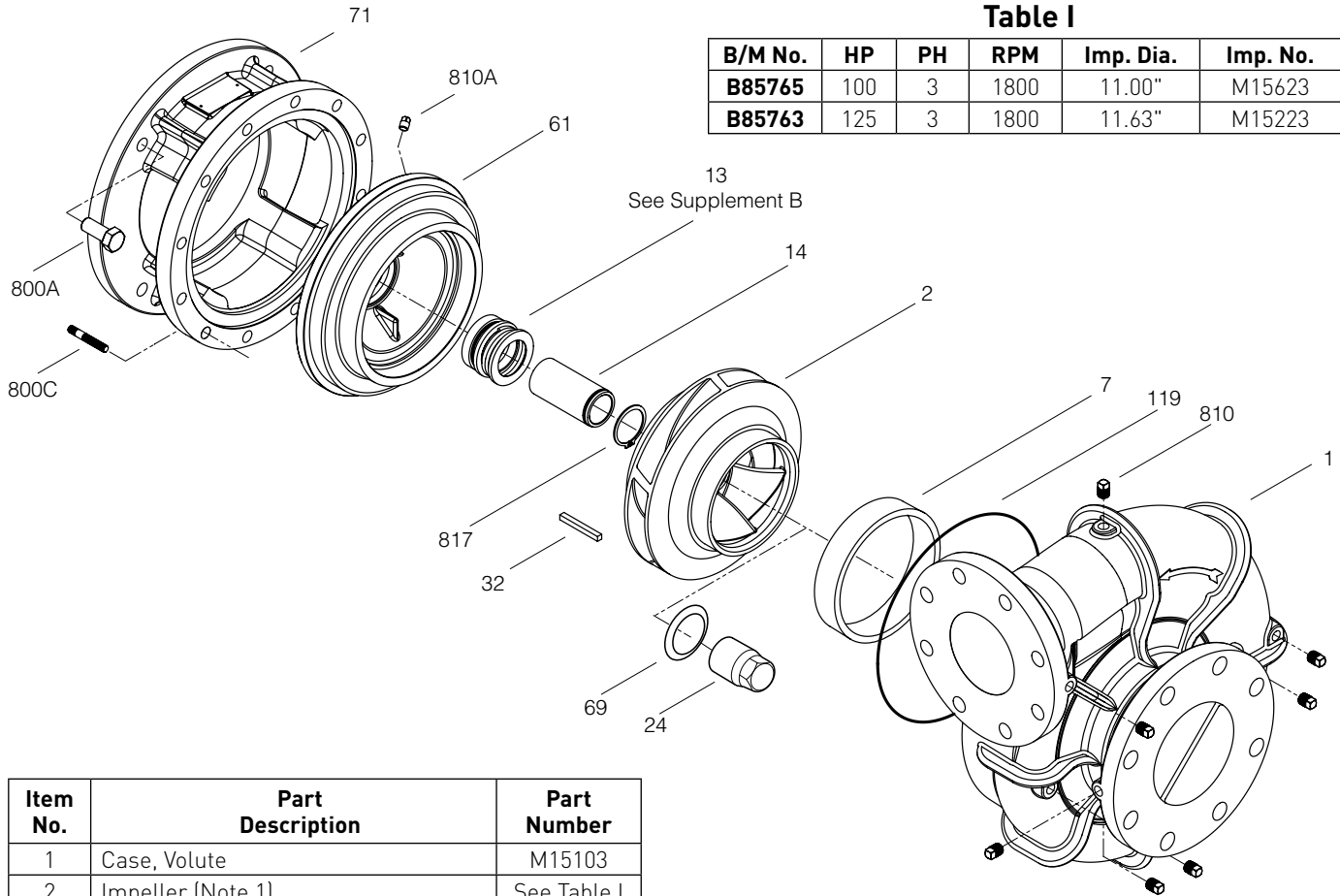


Table I

B/M No.	HP	PH	RPM	Imp. Dia.	Imp. No.
B85765	100	3	1800	11.00"	M15623
B85763	125	3	1800	11.63"	M15223

Item No.	Part Description	Part Number
1	Case, Volute	M15103
2	Impeller (Note 1)	See Table I
7	Ring, Wearing	M15125
13	Seal, Shaft	S32016
14	Sleeve, Shaft (Note 2)	M15120
24	Locknut, Impeller	S07829
32	Key, 3/8 x 3/8 x 2"	M15124
61	Plate, Seal	M15221
69	Washer, Impeller	M15232
71	Bracket	See Table II
119	O-Ring	M15130
800A	Capscrew, 5/8 - 11 x 1-1/2" (8 rqd)	S28427
800C	Stud (12 rqd)	M15388
*	Nut, Hex (12 rqd)	S23490
810	Plug, Pipe 1/2 NPT	S23717
810A	Plug, Pipe	S23714
817	Ring, Retaining	M15131
*	Slinger, Water	M15128

Table II

HP	PH	Bracket No.	"AK" Fit	"U" Dim.	Motor Frame
100	3	M15114	12.50"	1.625"	404TCZ
125	3	M15114	12.50"	1.625"	405TCZ

NOTE 1: Impeller kit **B85822** includes items 2, 24, 32, 69, 119. Impeller (Ref. 2) is full diameter.

NOTE 2: Shaft sleeve kit **B85815** includes items 14, 24, 32, 69, 119, adhesive and instruction sheet.

* Not illustrated.



BERKELEY® C1-1/4TPMS

Cast Iron Impeller

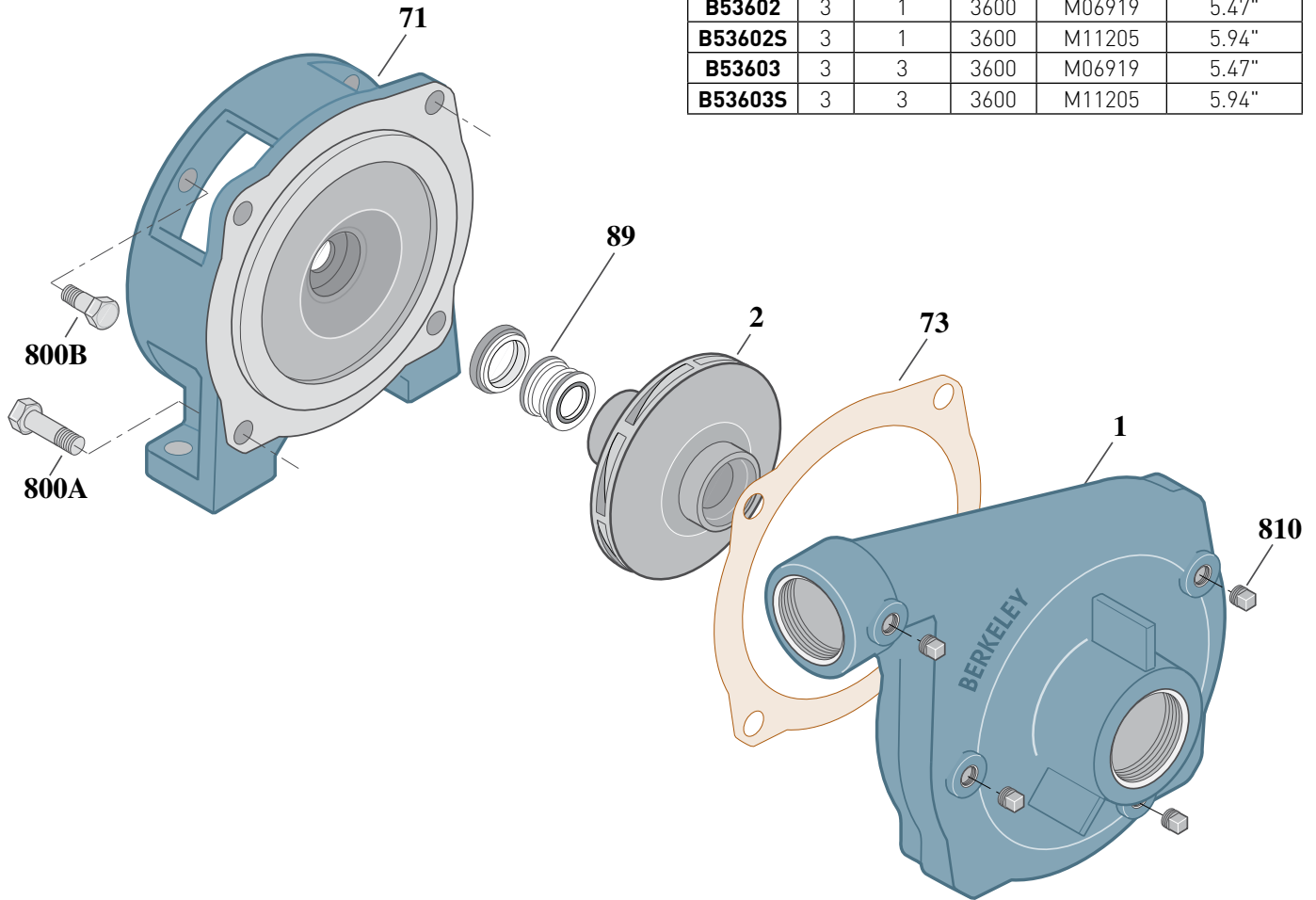
Threaded Case (NPT), Mechanical Seal Construction

ELECTRIC MOTOR DRIVE

Section	CC/C
Page	10.1
Date	March 4, 2013
Supersedes 01/01/04	

Table I

B/M No.	HP	Phase	RPM	Impeller	Imp. Dia.
B53602	3	1	3600	M06919	5.47"
B53602S	3	1	3600	M11205	5.94"
B53603	3	3	3600	M06919	5.47"
B53603S	3	3	3600	M11205	5.94"



2519 0696

Item No.	Part Description	Part Number
1	Case, Volute	M03011
2	Impeller	See Table I
71	Bracket	L02866
73	Gasket, Case	S07445
89	Seal, Mechanical Shaft	S08019
800A	Capscrew, 5/16 - 18 x 7/8" [4 Req.]	S26783
800B	Capscrew, 3/8 - 16 x 7/8" [4 Req.]	S26825
810	Plug, Pipe 1/8 NPT [4 Req.]	S23714



BERKELEY® C1-1/2TPHS

Cast Iron Impeller

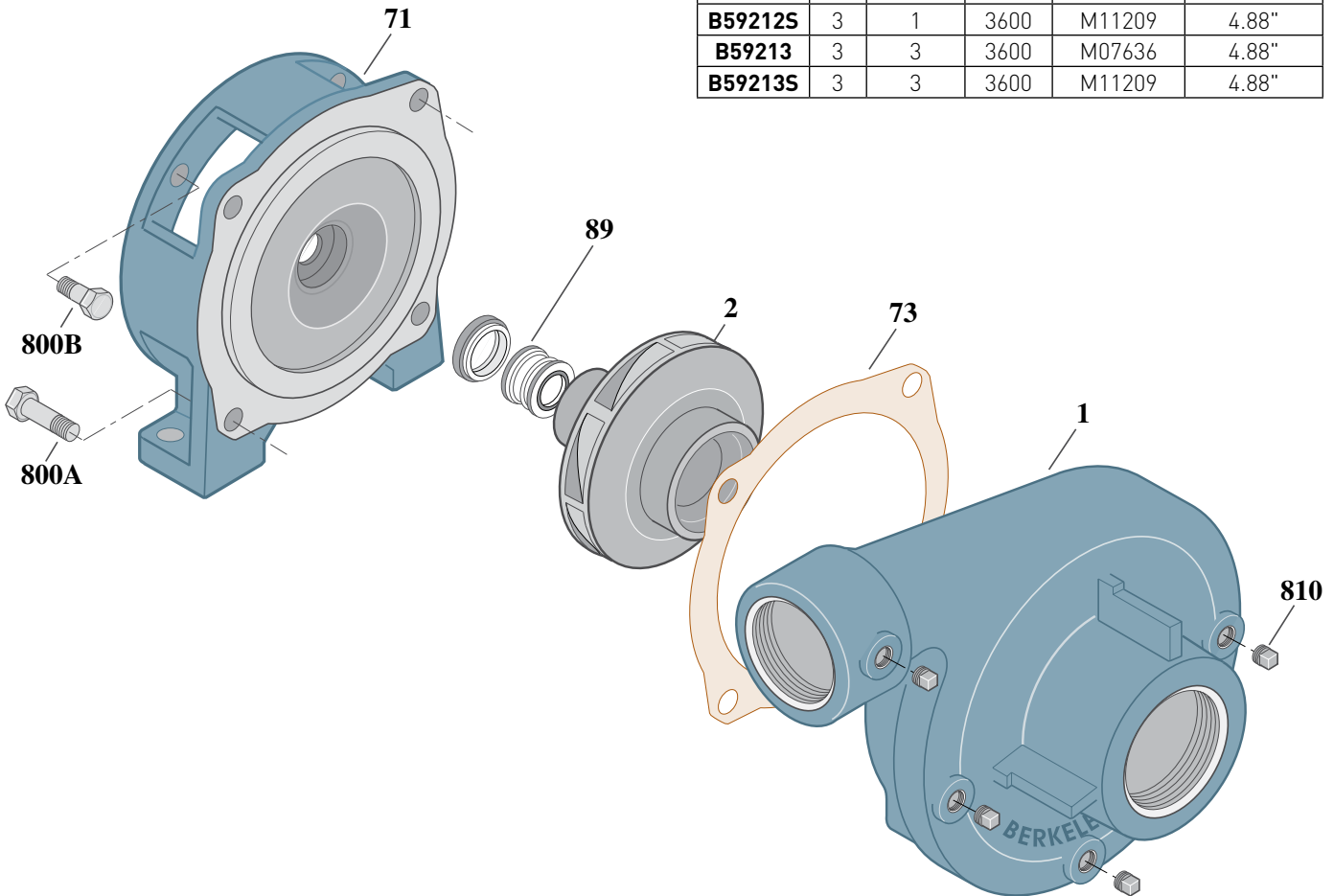
Threaded Case (NPT), Mechanical Seal Construction

ELECTRIC MOTOR DRIVE

Section	CC/C
Page	20.1
Date	March 4, 2013
Supersedes 01/01/04	

Table I

B/M No.	HP	Phase	RPM	Impeller	Imp. Dia.
B59212	3	1	3600	M07636	4.88"
B59212S	3	1	3600	M11209	4.88"
B59213	3	3	3600	M07636	4.88"
B59213S	3	3	3600	M11209	4.88"



2520 0696

Item No.	Part Description	Part Number
1	Case, Volute	L01848
2	Impeller	See Table I
71	Bracket	L02866
73	Gasket, Case	S07445
89	Seal, Mechanical Shaft	S08019
800A	Capscrew, 5/16 - 18 x 7/8" [4 Req.]	S26783
800B	Capscrew, 3/8 - 16 x 7/8" [4 Req.]	S26825
810	Plug, Pipe 1/8 NPT [4 Req.]	S23714



BERKELEY® C2MPS

Cast Iron Impeller

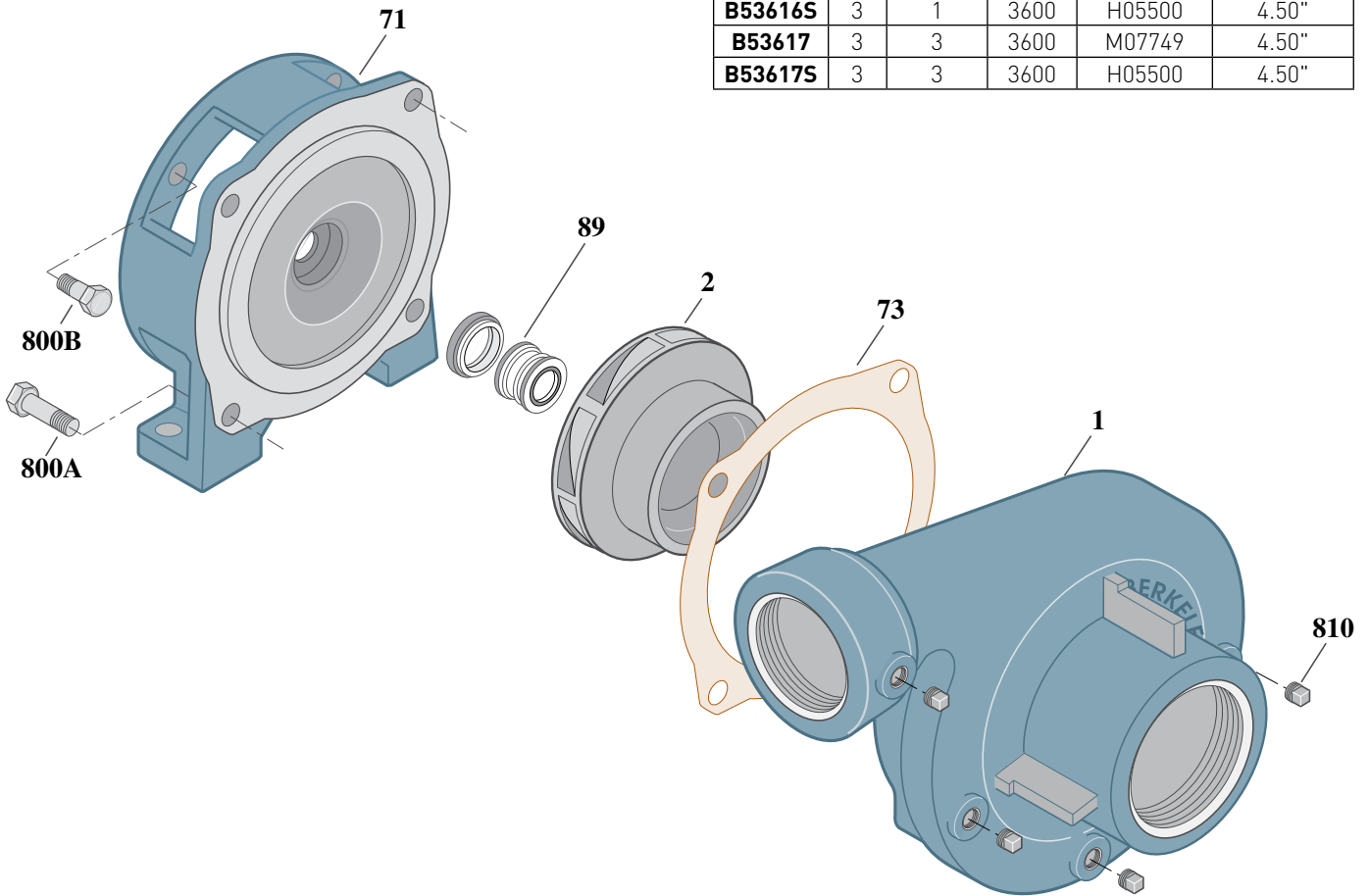
Threaded Case (NPT), Mechanical Seal Construction

ELECTRIC MOTOR DRIVE

Section	CC/C
Page	30.1
Date	March 4, 2013
Supersedes 01/01/04	

Table I

B/M No.	HP	Phase	RPM	Impeller	Imp. Dia.
B53616	3	1	3600	M07749	4.50"
B53616S	3	1	3600	H05500	4.50"
B53617	3	3	3600	M07749	4.50"
B53617S	3	3	3600	H05500	4.50"



2521 0696

Item No.	Part Description	Part Number
1	Case, Volute	L01861
2	Impeller	See Table I
71	Bracket	L02866
73	Gasket, Case	S07445
89	Seal, Mechanical Shaft	S08019
800A	Capscrew, 5/16 - 18 x 7/8" [4 Req.]	S26783
800B	Capscrew, 3/8 - 16 x 7/8" [4 Req.]	S26825
810	Plug, Pipe 1/8 NPT [4 Req.]	S23714



BERKELEY® B1-1/2XPBS

HIGH PRESSURE MOTOR DRIVE

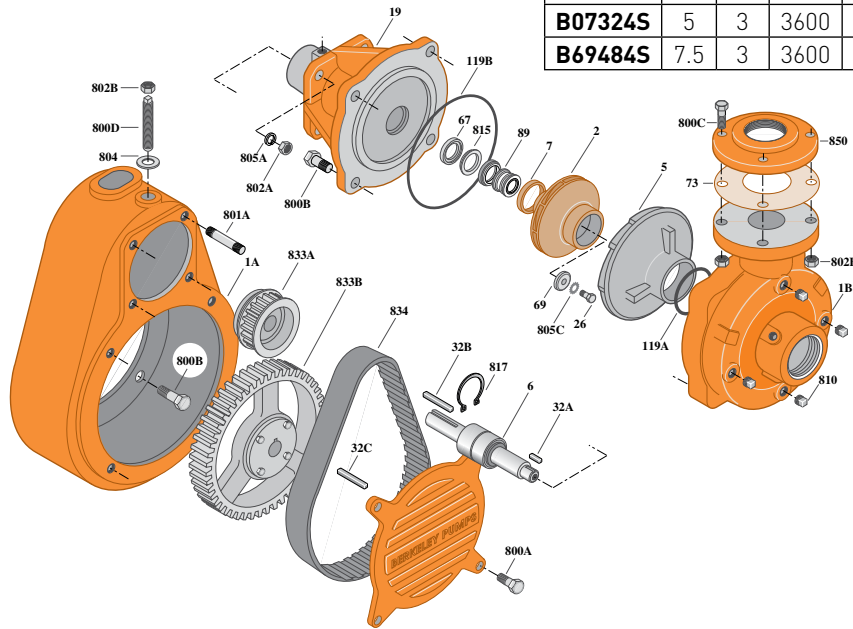
Bronze Impeller

Threaded Case (NPT), Mechanical Seal Construction

Section	CC/HP
Page	10.1
Date	March 4, 2013
Supersedes 01/01/04	

Table I

B/M No.	HP	PH	RPM	Impeller No.	Bearing Housing	Sprocket
B07323S	5	1	3600	M10892	M04520	S12693
B07324S	5	3	3600	M10892	M04520	S12693
B69484S	7.5	3	3600	M10893	M04520	S12693



Item No.	Part Description	Part Number
1A	Case, Drive	L03332
1B	Case, Volute	L03030
2	Impeller	See Table I
5	Diffuser	L07986
6	Shaft and Bearing Assembly	S12863
7	Ring, Wear	S03314
9	Cover, Drive Case	M04689
19	Housing, Bearing	See Table I
26	Screw, Impeller 1/4 - 20 x 1"	S23512
32A	Key, 3/16 x 3/4"	U65-2SS
32B	Key, 3/16 x 1-3/4"	S24153
32C	Key, 5/16 x 2"	S24240
67	Spacer, Impeller	S00512
69	Washer, Impeller	S16745
73	Gasket, Flange	S10361
89	Seal, Mechanical Shaft	S22380
119A	Quadring	S13933
119B	O-Ring	S13932
800A	Capscrew, 3/8 - 16 x 1" [4 Req.]	S26826

Item No.	Part Description	Part Number
800B	Capscrew, 1/2 - 13 x 1-1/4" [8 Req.]	S26914
800C	Capscrew, 1/2 - 13 x 2" [4 Req.]	S26920
800D	Screw, Set 1/2 - 13 x 3"	S32407
801	Stud, 3/8 - 16 x 1-1/4" [4 Req.]	S23994
802A	Nut, Hex 3/8-16 [4 Req.]	S23103
802B	Nut, Hex 1/2-13 [5 Req.]	S23107
804A	Washer, Flat 1/2 ID x 1-1/16 OD	S23052
805A	Washer, Lock, 3/8 [8 Req.]	S23076
805B	Washer, Lock, 1/2 [4 Req.]	S23091
805C	Washer, Lock, External Tooth	S23034
810	Plug, Pipe 1/4 NPT [7 Req.]	S23715
815	Ring, Seal Retaining	S11894
817	Ring, Retaining, Internal	S23022
833A	Sprocket, Timing Belt	S12694
833B	Sprocket, Timing Belt	See Table I
834	Timing Belt	S12691
850	Flange, Companion	S11785
•	Tubing, 3/8	S22480
•	Connector, Tubing [2 Req.]	S24017

• Not illustrated.



BERKELEY® B1-1/2XPBS

HIGH PRESSURE MOTOR DRIVE

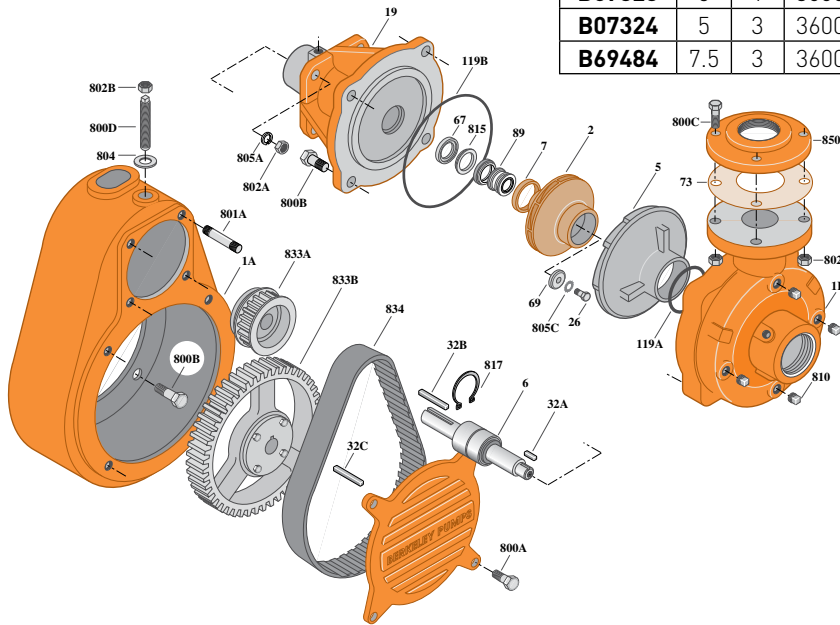
Brass Impeller

Threaded Case (NPT), Mechanical Seal Construction

Section	CC/HP
Page	10.2
Date	March 4, 2013
Supersedes 01/01/04	

Table I

B/M No.	HP	PH	RPM	Impeller No.	Bearing Housing	Sprocket
B07323	5	1	3600	M09991	M04520	S12693
B07324	5	3	3600	M09991	M04520	S12693
B69484	7.5	3	3600	M09990	M04520	S12693



Item No.	Part Description	Part Number
1A	Case, Drive	L03332
1B	Case, Volute	L03030
2	Impeller	See Table I
5	Diffuser	L03112
6	Shaft and Bearing Assembly	S12863
7	Ring, Wear	S03314
9	Cover, Drive Case	M04689
19	Housing, Bearing	See Table I
26	Screw, Impeller 1/4 - 20 x 1"	S23512
32A	Key, 3/16 x 3/4"	U65-2SS
32B	Key, 3/16 x 1-3/4"	S24153
32C	Key, 5/16 x 2"	S24240
67	Spacer, Impeller	S00512
69	Washer, Impeller	S16745
73	Gasket, Flange	S10361
89	Seal, Mechanical Shaft	S22380
119A	Quadring	S13933
119B	O-Ring	S13932
800A	Capscrew, 3/8 - 16 x 1" [4 Req.]	S26826

Item No.	Part Description	Part Number
800B	Capscrew, 1/2 - 13 x 1-1/4" (8 Req.)	S26914
800C	Capscrew, 1/2 - 13 x 2" (4 Req.)	S26920
800D	Screw, Set 1/2 - 13 x 3"	S32407
801	Stud, 3/8 - 16 x 1-1/4" (4 Req.)	S23994
802A	Nut, Hex 3/8-16 (4 Req.)	S23103
802B	Nut, Hex 1/2-13 (5 Req.)	S23107
804A	Washer, Flat 1/2 ID x 1-1/16 OD	S23052
805A	Washer, Lock, 3/8 (8 Req.)	S23076
805B	Washer, Lock, 1/2 (4 Req.)	S23091
805C	Washer, Lock, External Tooth	S23034
810	Plug, Pipe 1/4 NPT (7 Req.)	S23715
815	Ring, Seal Retaining	S11894
817	Ring, Retaining, Internal	S23022
833A	Sprocket, Timing Belt	S12694
833B	Sprocket, Timing Belt	See Table I
834	Timing Belt	S12691
850	Flange, Companion	S11785
•	Tubing, 3/8	S22480
•	Connector, Tubing [2 Req.]	S24017

• Not illustrated.



BERKELEY® B2XPKS

ELECTRIC MOTOR DRIVE SELF PRIME

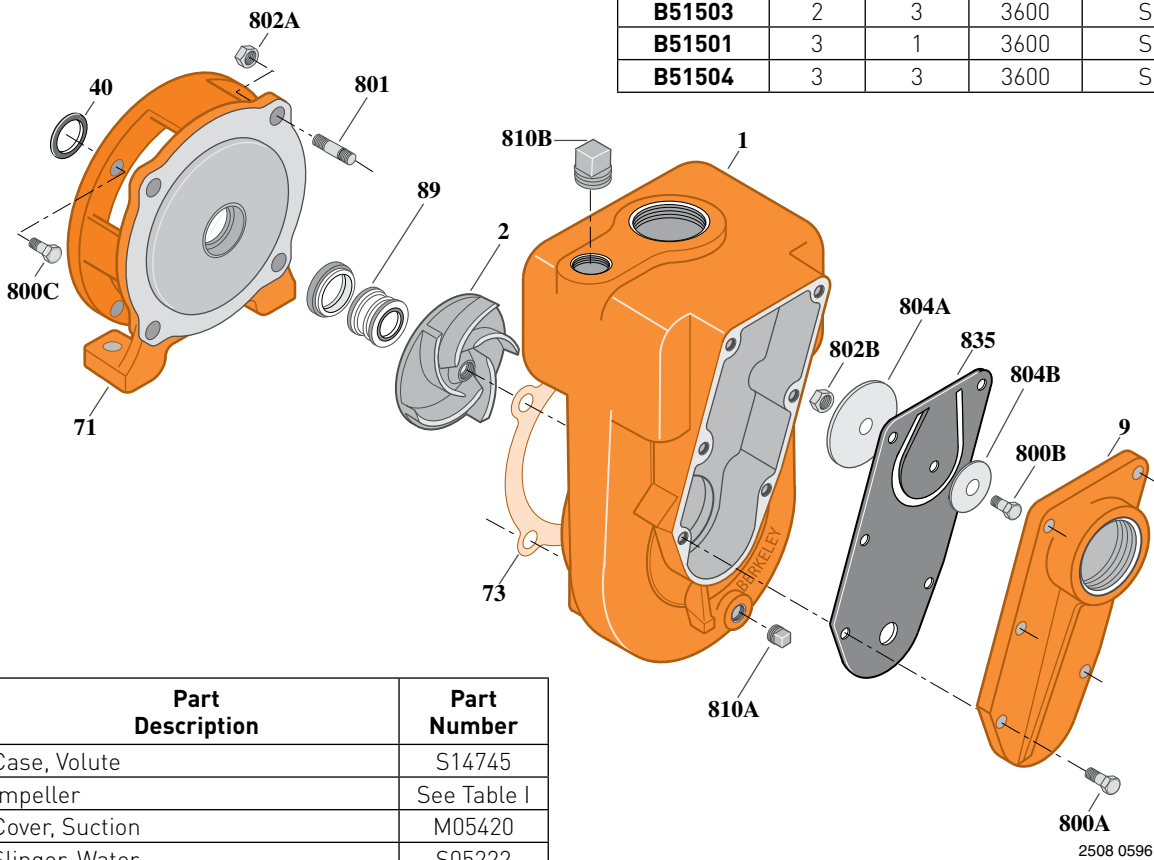
Cast Iron Impeller

Threaded Case (NPT), Mechanical Seal Construction

Section	CC/SP
Page	10.1
Date	March 4, 2013
Supersedes 01/01/04	

Table I

B/M No.	HP	PH	RPM	Imp. No.
B51499	1.5	1	3600	S11486
B51502	1.5	3	3600	S11486
B51500	2	1	3600	S11484
B51503	2	3	3600	S11484
B51501	3	1	3600	S11485
B51504	3	3	3600	S11485



Item No.	Part Description	Part Number
1	Case, Volute	S14745
2	Impeller	See Table I
9	Cover, Suction	M05420
40	Slinger, Water	S05222
71	Bracket	M02725
73	Gasket	S04728
89	Seal, Mechanical Shaft	S20990
800A	Capscrew, 5/16 - 18 x 7/8" [6 Req.]	S26783
800B	Capscrew, 1/4 - 20 x 1/2"	S23117
800C	Capscrew, 3/8 - 16 x 3/4" [4 Req.]	S26824
801	Stud, 3/8 - 16 x 1-1/4" [4 Req.]	S23994
802A	Nut, Hex 3/8 - 16 [4 Req.]	S23103
802B	Nut, Hex 1/4 - 20	S23100
804A	Weight, Clack	S14673
804B	Weight, Clack	S14676
810A	Plug, Pipe 1/4 NPT	S14692
810B	Plug, Pipe 1 NPT	S14693
835	Clack, Rubber	M05424



BERKELEY® B3TPKS

Cast Iron Impeller

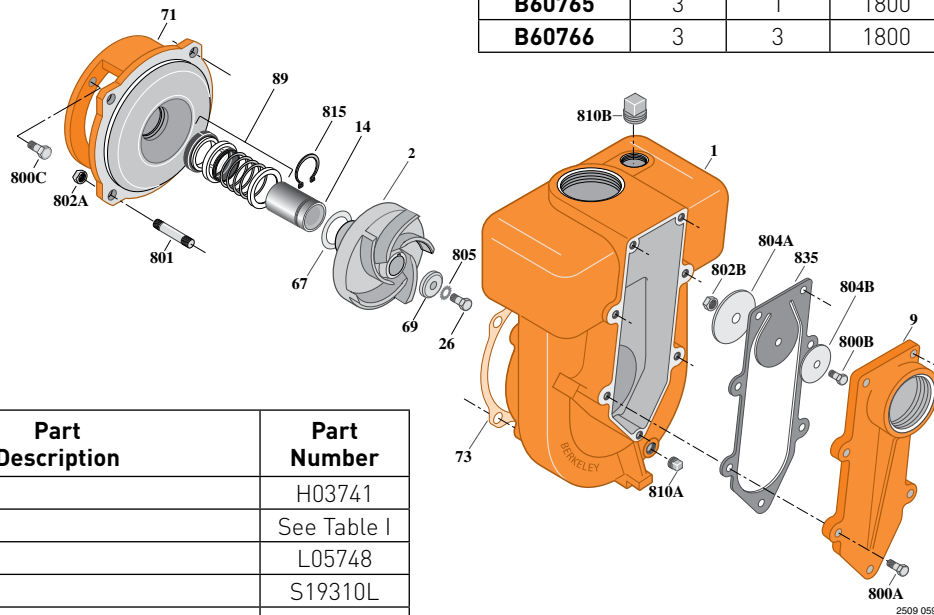
Threaded Case (NPT), Mechanical Seal Construction

ELECTRIC MOTOR DRIVE SELF PRIME

Section	CC/SP
Page	20.1
Date	March 4, 2013
Supersedes 01/01/04	

Table I

B/M No.	HP	PH	RPM	Imp. No.
B60761	1.5	1	1800	M07240
B60762	1.5	3	1800	M07240
B60763	2	1	1800	M07239
B60764	2	3	1800	M07239
B60765	3	1	1800	M07232
B60766	3	3	1800	M07232



Item No.	Part Description	Part Number
1	Case, Volute	H03741
2	Impeller	See Table I
9	Cover, Suction	L05748
14	Sleeve, Shaft	S19310L
26	Screw, Impeller	S23568
32	Key, 3/16 x 1-1/4"	S34383
67	Spacer, Impeller	S15405
69	Washer, Impeller Lock	S06314
71	Bracket	See Table II
73	Gasket	S04757
73	Gasket (As required)	S15049
89	Seal, Mechanical Shaft	S32014
800A	Capscrew, 3/8 - 16 x 1-1/4" (7 Req.)	S26828
800B	Capscrew, 3/8 - 16 x 3/4"	S26824
800C	Capscrew, 3/8 - 16 x 1" (4 Req.)	S26826
801	Stud, 1/2 - 13 x 1-1/2" (4 Req.)	S24043
802A	Nut, Hex 1/2 - 13 (4 Req.)	S23107
802B	Nut, Hex 3/8 - 16	S23103
804A	Weight, Clack	S15325
804B	Weight, Clack	S14843
805	Washer, Lock	S23036
810A	Plug, Pipe 1/4 NPT	S23715
810B	Plug, Pipe 1-1/4 NPT	S23694
815	Ring, Retaining	S11207
835	Clack, Rubber	L05749

Table II

HP	PH	Bracket No.	"AK" Fit	"U" Dim.	Motor Frame
1.5	1	L05329	4-1/2"	7/8"	145JM
1.5	3	L05329	4-1/2"	7/8"	145JM
2	1	L05329	4-1/2"	7/8"	182JM
2	3	L05329	4-1/2"	7/8"	145JM
3	1	L05329	4-1/2"	7/8"	184JM
3	3	L05329	4-1/2"	7/8"	182JM

NOTE: For an explanation of the tabulated material found on this page and for impeller key location, refer to **Supplement A** located at the beginning of section **CC**.



BERKELEY® B3TPKS

Cast Iron Impeller

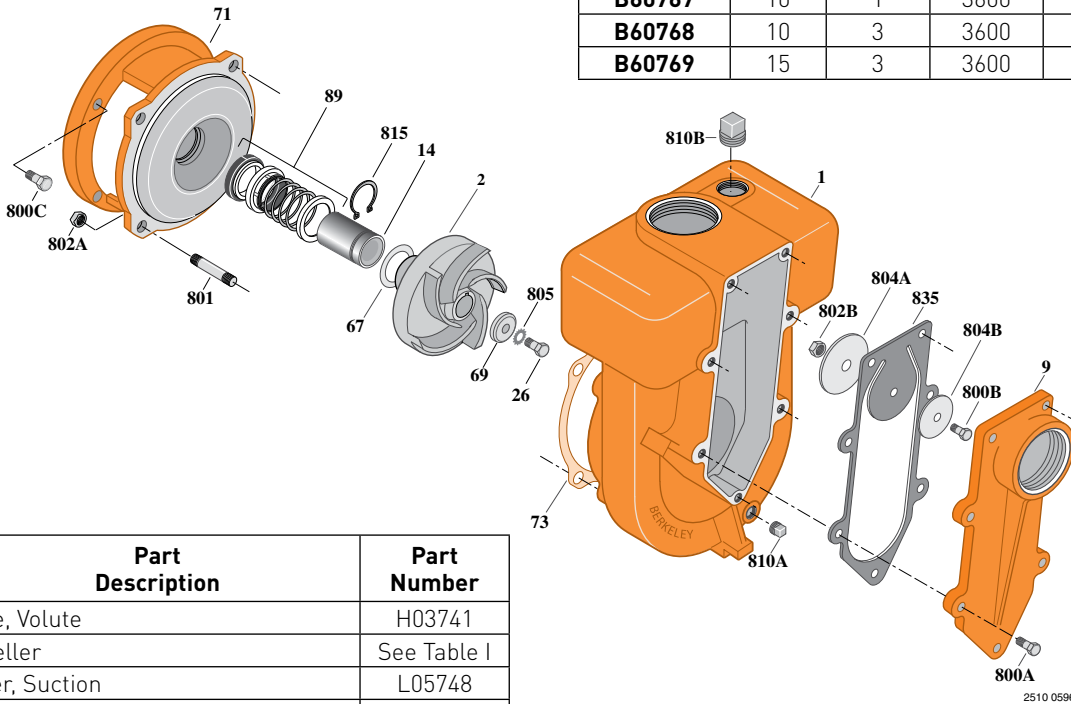
Threaded Case (NPT), Mechanical Seal Construction

ELECTRIC MOTOR DRIVE SELF PRIME

Section	CC/SP
Page	20.2
Date	March 4, 2013
Supersedes 01/01/04	

Table I

B/M No.	HP	PH	RPM	Imp. No.
B60767	10	1	3600	M07240
B60768	10	3	3600	M07240
B60769	15	3	3600	M07239



Item No.	Part Description	Part Number
1	Case, Volute	H03741
2	Impeller	See Table I
9	Cover, Suction	L05748
14	Sleeve, Shaft	S19310L
26	Screw, Impeller	S23568
32	Key, 3/16 x 1-1/4"	S34383
67	Spacer, Impeller	S15405
69	Washer, Impeller Lock	S06314
71	Bracket	See Table II
73	Gasket	S04757
73	Gasket (As required)	S15049
89	Seal, Mechanical Shaft	S32014
800A	Capscrew, 3/8 - 16 x 1-1/4" (7 Req.)	S26828
800B	Capscrew, 3/8 - 16 x 3/4"	S26824
800C	Capscrew, 1/2 - 13 x 1" (4 Req.)	S26912
801	Stud, 1/2 - 13 x 1-1/2" (4 Req.)	S24043
802A	Nut, Hex 1/2 - 13 (4 Req.)	S23107
802B	Nut, Hex 3/8 - 16	S23103
804A	Weight, Clack	S15325
804B	Weight, Clack	S14843
805	Washer, Lock	S23036
810A	Plug, Pipe 1/4 NPT	S23715
810B	Plug, Pipe 1-1/4 NPT	S23694
815	Ring, Retaining	S11207
835	Clack, Rubber	L05749

Table II

HP	PH	Bracket No.	"AK" Fit	"U" Dim.	Motor Frame
10	1	L05328	8-1/2"	7/8"	215JM
10	3	L05328	8-1/2"	7/8"	213JM
15	3	L05328	8-1/2"	7/8"	215JM

NOTE: For an explanation of the tabulated material found on this page and for impeller key location, refer to **Supplement A** located at the beginning of section **CC**.



BERKELEY® B4TPKLS

ELECTRIC MOTOR DRIVE SELF PRIME

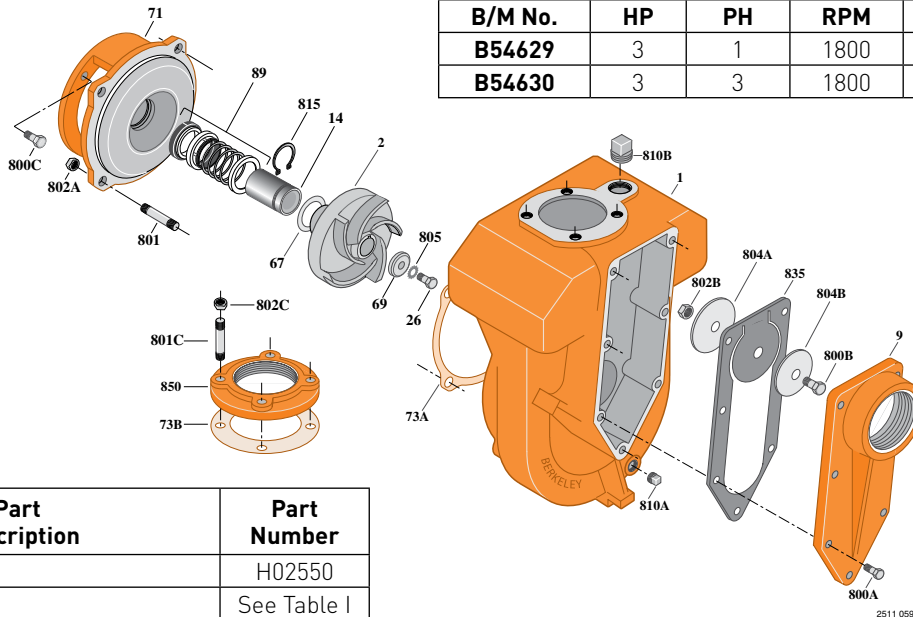
Cast Iron Impeller

Threaded Case (NPT), Mechanical Seal Construction

Section	CC/SP
Page	30.1
Date	March 4, 2013
Supersedes 01/01/04	

Table I

B/M No.	HP	PH	RPM	Imp. No.
B54629	3	1	1800	M05491
B54630	3	3	1800	M05491



Item No.	Part Description	Part Number
1	Case, Volute	H02550
2	Impeller	See Table I
9	Cover, Suction	L04108
14	Sleeve, Shaft	S19310L
26	Screw, Impeller	S23568
32	Key, 3/16 x 1-1/2"	S23500
67	Spacer, Impeller	S15405
69	Washer, Impeller Lock	S06314
71	Bracket	See Table II
73A	Gasket, Volute	S04757
73B	Gasket, Blind	S10364
89	Seal, Mechanical Shaft	S32014
800A	Capscrew, 3/8 - 16 x 1-1/4" [7 Req.]	S26828
800B	Capscrew, 3/8 - 16 x 3/4"	S26824
800C	Capscrew, 3/8 - 16 x 1" [4 Req.]	S26826
801A	Stud, 1/2 - 13 x 1-1/2" [4 Req.]	S24043
801B	Stud, 5/8 - 11 x 2-1/2" [4 Req.]	S24062
802A	Nut, Hex 1/2 - 13 [4 Req.]	S23107
802B	Nut, Hex 3/8 - 16	S23103
802C	Nut, Hex 5/8 - 11 [4 Req.]	S23109
804A	Weight, Clack	S14842
804B	Weight, Clack	S15325
805	Washer, Lock	S23036
810A	Plug, Pipe 1/2 NPT	S23717
810B	Plug, Pipe 1-1/4 NPT	S23694
815	Ring, Retaining	S11207
835	Clack, Rubber	L04119
850	Flange, Companion	S15933

Table II

HP	PH	Bracket No.	"AK" Fit	"U" Dim.	Motor Frame
3	1	L05329	4-1/2"	7/8"	184JM
3	3	L05329	4-1/2"	7/8"	182JM

NOTE: For an explanation of the tabulated material found on this page and for impeller key location, refer to **Supplement A** located at the beginning of section **CC**.



BERKELEY® B4TPKHS

ELECTRIC MOTOR DRIVE SELF PRIME

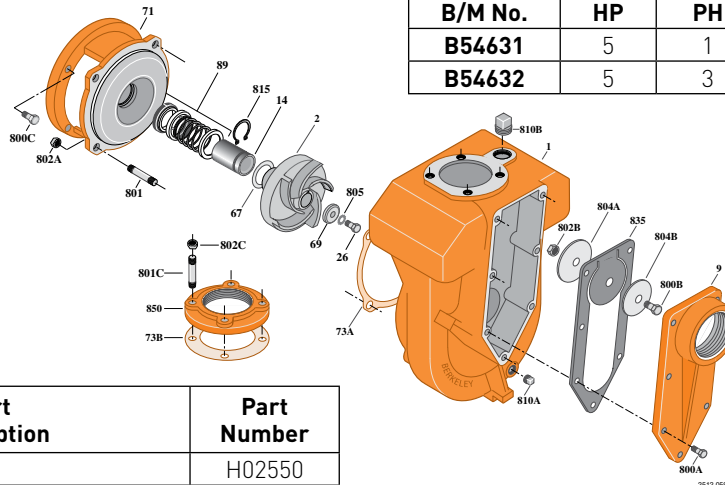
Cast Iron Impeller

Threaded Case (NPT), Mechanical Seal Construction

Section	CC/SP
Page	40.1
Date	March 4, 2013
Supersedes 01/01/04	

Table I

B/M No.	HP	PH	RPM	Imp. No.
B54631	5	1	1800	M05524
B54632	5	3	1800	M05524



Item No.	Part Description	Part Number
1	Case, Volute	H02550
2	Impeller	See Table I
9	Cover, Suction	L04108
14	Sleeve, Shaft	S19310L
26	Screw, Impeller	S23568
32	Key, 3/16 x 1-1/4"	S34383
67	Spacer, Impeller	S15405
69	Washer, Impeller Lock	S06314
71	Bracket	See Table II
73A	Gasket, Volute	S04757
73B	Gasket, Blind	S10364
89	Seal, Mechanical Shaft	S32014
800A	Capscrew, 3/8 - 16 x 1-1/4" [7 Req.]	S26828
800B	Capscrew, 3/8 - 16 x 3/4"	S26824
800C	Capscrew, 3/8 - 16 x 1" 4-1/2 AK [4 Req.]	S26826
800C	Capscrew, 1/2 - 13 x 1" 8-1/2 AK [4 Req.]	S26912
801A	Stud, 1/2 - 13 x 1-1/2" [4 Req.]	S24043
801B	Stud, 5/8 - 11 x 2-1/2" [4 Req.]	S24062
802A	Nut, Hex 1/2 - 13 [4 Req.]	S23107
802B	Nut, Hex 3/8 - 16	S23103
802C	Nut, Hex 5/8 - 11 [4 Req.]	S23109
804A	Weight, Clack	S14842
804B	Weight, Clack	S15325
805	Washer, Lock	S23036
810A	Plug, Pipe 1/2 NPT	S23717
810B	Plug, Pipe 1-1/4 NPT	S23694
815	Ring, Retaining	S11207
835	Clack, Rubber	L04119
850	Flange, Companion	S15933

Table II

HP	PH	Bracket No.	"AK" Fit	"U" Dim.	Motor Frame
3	1	L05328	8-1/2"	7/8"	213JM
3	3	L05329	4-1/2"	7/8"	184JM

NOTE: For an explanation of the tabulated material found on this page and for impeller key location, refer to **Supplement A** located at the beginning of section **CC**.



BERKELEY® B4ZPKS

Cast Iron Impeller

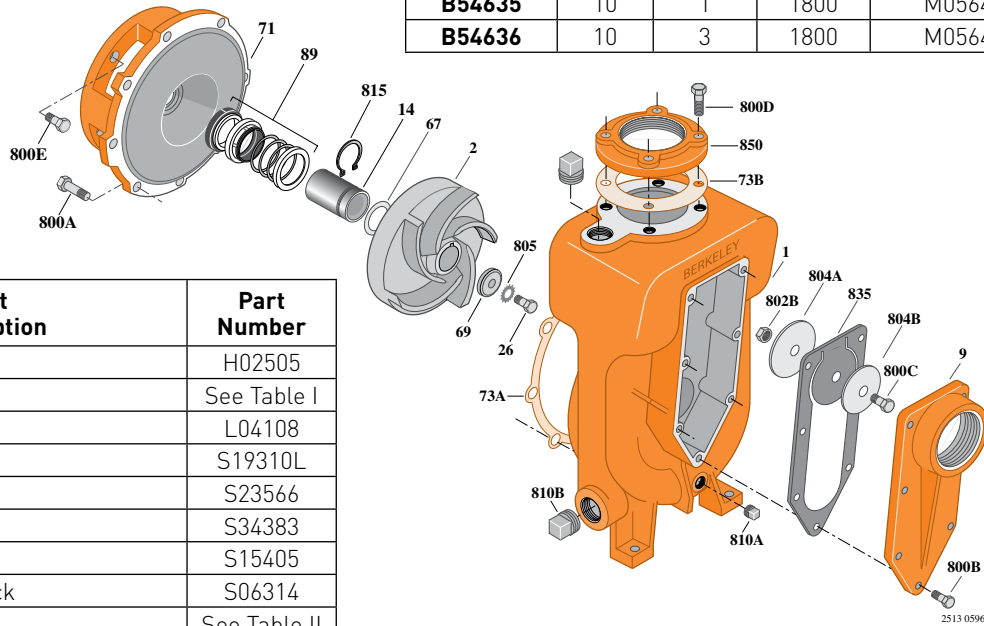
Threaded Case (NPT), Mechanical Seal Construction

ELECTRIC MOTOR DRIVE SELF PRIME

Section	CC/SP
Page	50.1
Date	March 4, 2013
Supersedes 01/01/04	

Table I

B/M No.	HP	PH	RPM	Imp. No.
B58449	5	1	1800	M07561
B58450	5	3	1800	M07561
B54633	7.5	1	1800	M05639
B54634	7.5	3	1800	M05639
B54635	10	1	1800	M05640
B54636	10	3	1800	M05640



Item No.	Part Description	Part Number
1	Case, Volute	H02505
2	Impeller	See Table I
9	Cover, Suction	L04108
14	Sleeve, Shaft	S19310L
26	Screw, Impeller	S23566
32	Key, 3/16 x 1-1/4"	S34383
67	Spacer, Impeller	S15405
69	Washer, Impeller Lock	S06314
71	Bracket	See Table II
73A	Gasket, Volute	S05126
73B	Gasket, Blind	S10364
89	Seal, Mechanical Shaft	S32014
800A	Capscrew, 3/8 - 16 x 1" [8 Req.]	S26826
800B	Capscrew, 3/8 - 16 x 1-1/4" [7 Req.]	S26828
800C	Capscrew, 3/8 - 16 x 1"	S26824
800D	Capscrew, 5/8 - 11 x 1-3/4" [4 Req.]	S27001
800E	Capscrew, 3/8 - 16 x 1-1/8" 4-1/2 AK [4 Req.]	S26827
800E	Capscrew, 1/2 - 13 x 1" 8-1/2 AK [4 Req.]	S26912
802	Nut, Hex 3/8 - 16	S23103
804A	Weight, Clack	S14842
804B	Weight, Clack	S15325
805	Washer, Lock	S23036
810A	Plug, Pipe 1/4 NPT	S23717
810B	Plug, Pipe 1-1/4 NPT	S23695
815	Ring, Retaining	S11207
835	Clack, Rubber	L04119
850	Flange, Companion	S15933

Table II

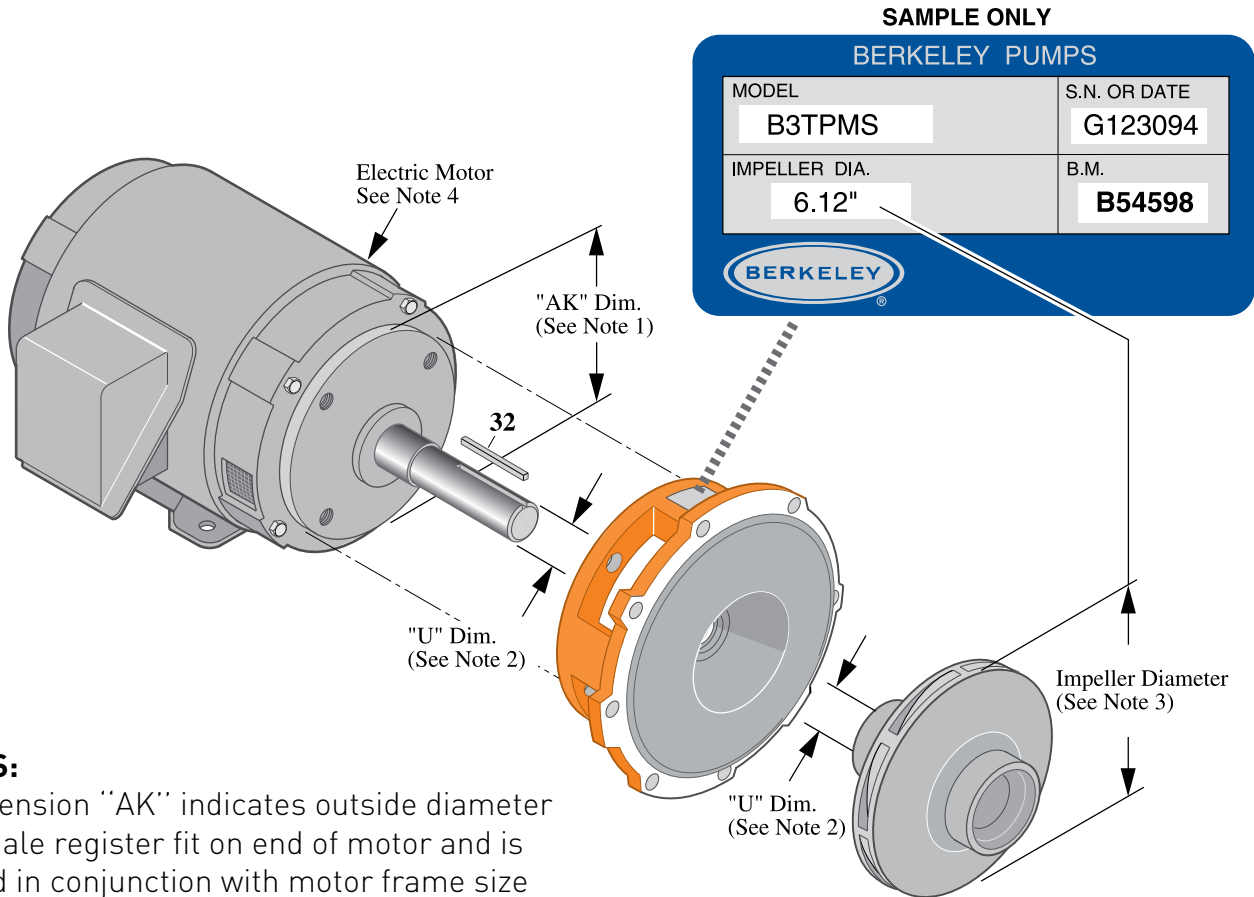
HP	PH	Bracket No.	"AK" Fit	"U" Dim.	Motor Frame
5	1	L05331	8-1/2"	7/8"	213JM
5	3	L05332	4-1/2"	7/8"	184JM
7.5	1	L05331	8-1/2"	7/8"	215JM
7.5	3	L05331	8-1/2"	7/8"	213JM
10	1	L05331	8-1/2"	7/8"	215JM
10	3	L05331	8-1/2"	7/8"	215JM

NOTE: For an explanation of the tabulated material found on this page and for impeller key location, refer to **Supplement A** located at the beginning of section **CC**.



Mechanical Shaft Seal Construction, Packing Construction

Section	CC
Supplement	A
Date	March 4, 2013
Supersedes 07/01/11	



NOTES:

1. Dimension "AK" indicates outside diameter of male register fit on end of motor and is used in conjunction with motor frame size and motor bracket fit. Refer to TABLE II on parts sheets.
2. Dimension "U" indicates motor shaft diameter and nominal impeller shaft bore.
3. Impeller diameter shown in TABLE I of the parts sheets is the current catalog standard for each model and horsepower. When ordering impeller, specify diameter that is indicated on nameplate as shown above.
4. Electric motors are available for replacement, consult factory for information and availability.

NOTE: Shaft sleeve (Item 14) must be ordered with replacement motor, refer to individual parts listings for sleeve requirements.

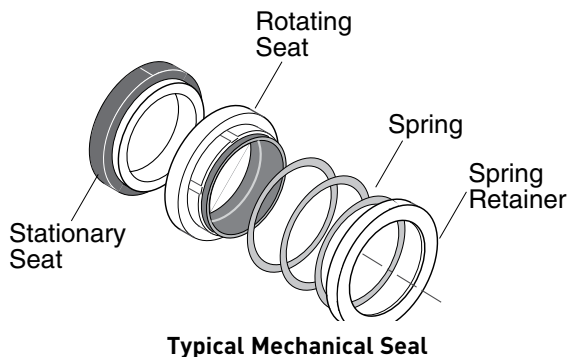
PARTS ORDERING INFORMATION

The diagrams and parts lists given on the following pages depict a typical pump configuration. It is most important that before calling in for repair instructions, or when ordering replacement parts, locate the Berkeley nameplate on the pump. It is affixed to the motor bracket, as shown here. Provide all nameplate data, especially the S.N OR DATE number and the B.M. (Bill of Material) number to ensure receiving correct parts.

1712.0211

Section	CC
Supplement	B
Date	March 4, 2013
Supersedes 01/01/04	

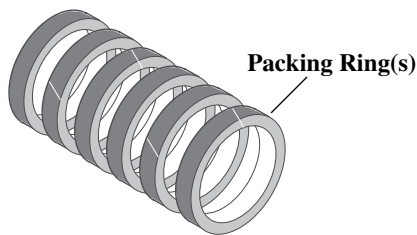
Mechanical Seal Construction



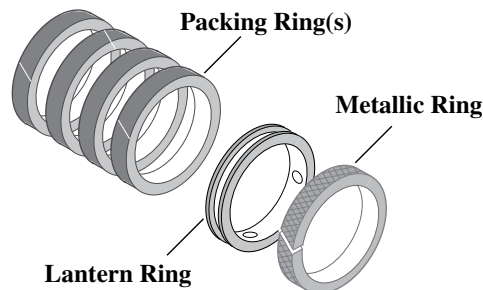
Standard Mechanical Seal/ Shaft Sleeve Combinations

SEAL		SLEEVE	
P/N	Description	P/N	Description
S32013	1-1/4" Type 21 Long	S00619	1" I.D. x 1-1/4" O.D.
S32014	1-1/4" Type 21 Short	S19310	1" I.D. x 1-1/4" O.D.
S32015	1-3/4" Type 21 Short	S18869	1-3/8" I.D. x 1-3/4" O.D.
M10227	1-3/4" Type 2	S18869	1-3/8" I.D. x 1-3/4" O.D.
S32016	2-1/8" Type 21 Long	S07073	1-3/4" I.D. x 2-1/8" O.D.
S39264	2-1/8" Type 21 Short	M09669	1-3/4" I.D. x 2-1/8" O.D.
S32697	2-3/4" Type 21	S29517	2-1/4" I.D. x 2-3/4" O.D.

Packing Construction



1068 0595



Standard Packing Sets Shown on Repair Parts Sheets

Packing Set P/N	No. of Soft Rings	Metallic Ring	Ring I.D.	Ring O.D.	Cross Section
S14109	5	None	1-1/4"	1-7/8"	5/16"
S13469	6	None	1-1/4"	1-7/8"	5/16"
S15094	7	None	1-1/4"	1-7/8"	5/16"
S13435	4	S11092	1-3/4"	2-1/2"	3/8"
S13470	6	None	1-3/4"	2-1/2"	3/8"
S13437	4	S11093	2-1/8"	2-7/8"	3/8"
S13444	5	S11093	2-1/8"	2-7/8"	3/8"
S16448	5	S14327	2-3/4"	3-3/4"	1/2"

NOTE: Part numbers given on repair parts sheets for packing rings reflects complete set of soft rings required for each model. Some models also require a hard (metallic) ring that is installed as shown above. Hard ring comes as part of the set, when required, and is in **addition** to the soft ring count shown (set of 5, set of 6, etc.). Metallic part number shown for reference only. Lantern Ring (item #29) is sold separately.

Section	CC
Supplement	C1
Date	March 4, 2013
Supersedes 01/01/04	

Companion Flange Kits

3" NPT x 7-1/2" O.D.

Ref.	Part Description	Part No.
73	Gasket	S10364
800	Capscrew, 5/8 - 11 x 2-1/2" [4 Req.]	S27004
802	Nut, Hex 5/8 - 11 [4 Req.]	S23109
850	Flange, Companion, 125 lb.	S11788

B60129

4" NPT X 9" O.D.

Ref.	Part Description	Part No.
73	Gasket	S10366
800	Capscrew, 5/8 - 11 x 2-1/2" [8 Req.]	S27005
802	Nut, Hex 5/8 - 11 [8 Req.]	S23109
850	Flange, Companion, 125 lb.	S11790

B59870

4" NPT x 9" O.D.

Ref.	Part Description	Part No.
73	Gasket	S10366
800	Capscrew, 5/8 - 11 x 1-5/8" [8 Req.]	S27000
850	Flange, Companion, 125 lb.	S11790

B74303

5" NPT x 10" O.D.

Ref.	Part Description	Part No.
73	Gasket	S10367
800	Capscrew, 3/4 - 10 x 3" [8 Req.]	S27333
802	Nut, Hex 3/4 - 10 [8 Req.]	S23111
850	Flange, Companion, 125 lb.	S11791

B59871

6" NPT x 11" O.D.

Ref.	Part Description	Part No.
73	Gasket	S10368
800	Capscrew, 3/4 - 10 x 3" [8 Req.]	S27333
802	Nut, Hex 3/4 - 10 [8 Req.]	S23111
850	Flange, Companion, 125 lb.	S11792

B59872

Section	CC
Supplement	C2
Date	March 4, 2013
Supersedes 01/01/04	

Companion Flange Kits

8" NPT x 13-1/2" O.D.

Ref.	Part Description	Part No.
73	Gasket	S10369
800	Capscrew, 3/4 - 10 x 2-3/4" [8 Req.]	S27332
802	Nut, Hex 3/4 - 10 [8 Req.]	S23111
850	Flange, Companion, 125 lb.	S11793

B59873

10" NPT x 16" O.D.

Ref.	Part Description	Part No.
73	Gasket	S10370
800	Capscrew, 7/8 - 9 x 3" [12 Req.]	S23307
802	Nut, Hex 7/8 - 9 [12 Req.]	S23113
850	Flange, Companion, 125 lb.	S11794

B59874

5" NPT x 10" O.D.

Ref.	Part Description	Part No.
73	Gasket	S10367
800	Capscrew, 3/4 - 10 x 1-3/4" [8 Req.]	S27327
850	Flange, Companion, 125 lb.	S11791

B59875

6" NPT x 10" O.D.

Ref.	Part Description	Part No.
73	Gasket	S10367
800	Capscrew, 3/4 - 10 x 2-1/4" [8 Req.]	S27330
850	Flange, Companion, 125 lb.	S02178

B59876

6" NPT x 11" O.D.

Ref.	Part Description	Part No.
73	Gasket	S10368
800	Capscrew, 3/4 - 10 x 2" [8 Req.]	S27329
850	Flange, Companion, 125 lb.	S11792

B59877

ELECTRIC MOTOR DRIVE

Section	CC
Supplement	C3
Date	March 4, 2013
Supersedes 01/01/04	

Companion Flange Kits

8" NPT x 13-1/2" O.D.

1811 0595

Ref.	Part Description	Part No.
73	Gasket	S10369
800	Capscrew, 3/4 - 10 x 2" (8 Req.)	S27329
850	Flange, Companion, 125 lb.	S11793

B59878

10" NPT x 16" O.D.

1812 0595

Ref.	Part Description	Part No.
73	Gasket	S10370
800	Capscrew, 7/8 - 9 x 2" (12 Req.)	S23303
850	Flange, Companion, 125 lb.	S11794

B59879

12" NPT x 19" O.D.

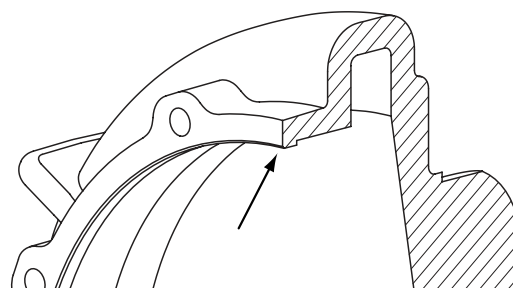
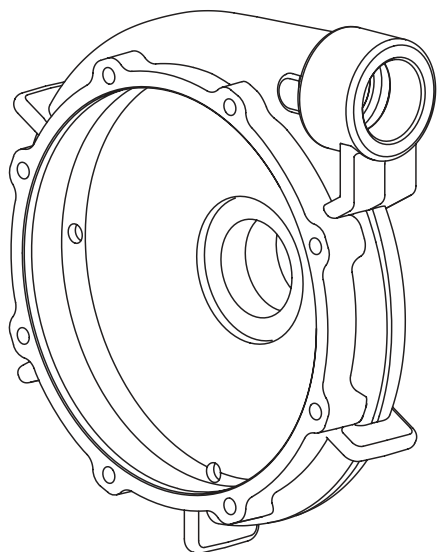
1813 0595

Ref.	Part Description	Part No.
73	Gasket	S10371
800	Capscrew, 7/8 - 9 x 3" (12 Req.)	S24095
802	Nut, Hex 7/8 - 9 (12 Req.)	S23113
850	Flange, Companion, 125 lb.	S11795

B59880

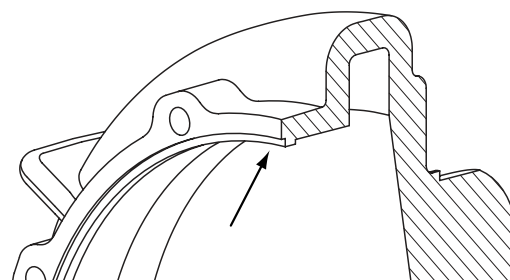
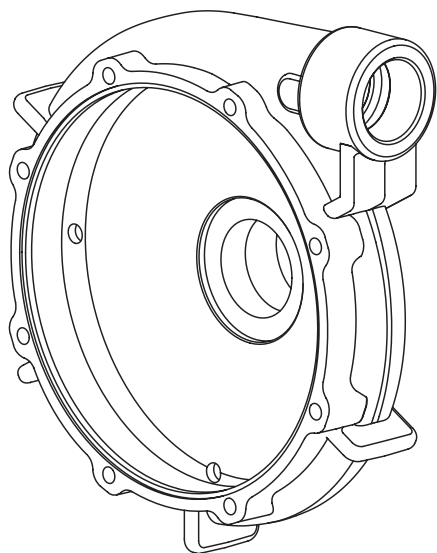
Section	CC
Supplement	E
Date	March 4, 2013
Supersedes 07/01/11	

Volute Sealing: Gasket Only



Style 1: There is a small chamfer along the back face of the volute, but no circumferential o-Ring groove. This volute can ONLY be sealed with a gasket.

Volute Sealing: O-Ring or Gasket



Style 2: O-Ring groove machined into back face of volute. This volute can be sealed with a gasket or with an o-Ring.