



FAIRBANKS NIJHUIS™ COMPACT FIRE PUMP SYSTEMS

Pentair offers a complete fire pump system, ideal for mechanical rooms with limited space. This engineered system is factory assembled and ready to start, with only supply/discharge piping and power connections to be completed onsite. Our system is designed to meet the latest codes and pass inspection the first time.

SYSTEM INCLUDES

- UL/FM Fairbanks Nijhuis fire pump
- UL/FM fire pump controller
- Vertical Multistage pressure maintenance pump
- UL508 listed jockey pump controller
- Pressure sensing lines complete per NFPA-20
- UL/FM OS&Y gate and butterfly valves with tamper switches and check valves
- Suction and discharge pressure gauges
- Test manifold with hose valves and ball drip valve
- Casing relief valve

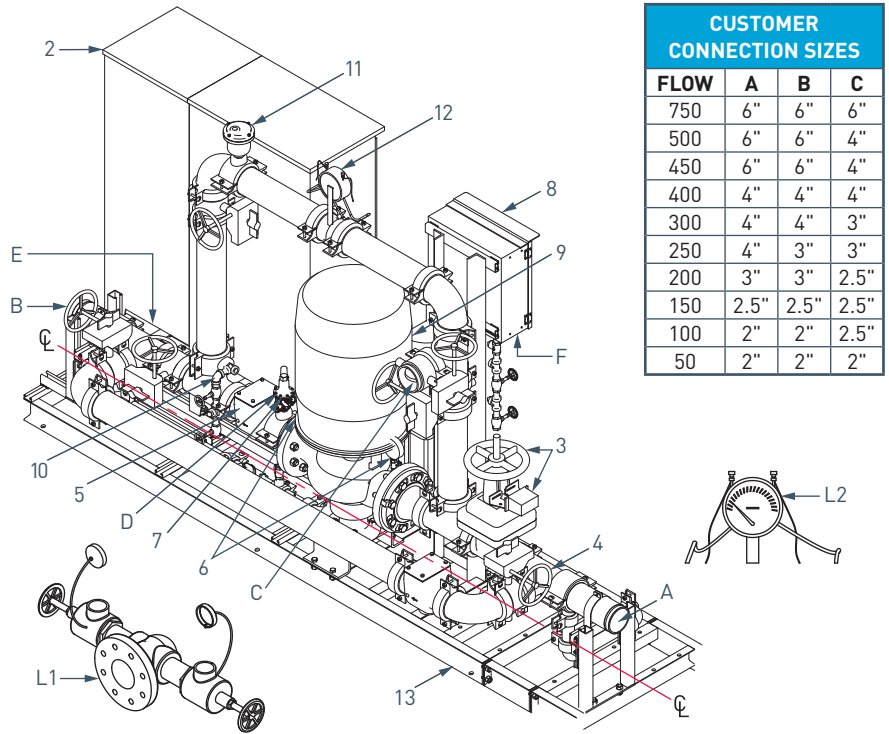
SYSTEM FEATURES

- Capable to pass through a 36" doorway
- ETL listed system
- Grooved pipe connections for added flexibility
- Open channel base for easy grouting
- Built and tested to latest NFPA codes to ensure acceptance test passes the first time
- Several standard options and configurations
- Capacities of 50–750 GPM
- Pressures of 40–160 psi

AVAILABLE OPTIONS

- Alternate starting methods
- Automatic transfer switch
- City bypass line
- Permanently mounted flow meter
- Right or left flow direction

COMPACT FIRE PUMP SYSTEM



CUSTOMER CONNECTION SIZES			
FLOW	A	B	C
750	6"	6"	6"
500	6"	6"	4"
450	6"	6"	4"
400	4"	4"	4"
300	4"	4"	3"
250	4"	3"	3"
200	3"	3"	2.5"
150	2.5"	2.5"	2.5"
100	2"	2"	2.5"
50	2"	2"	2"

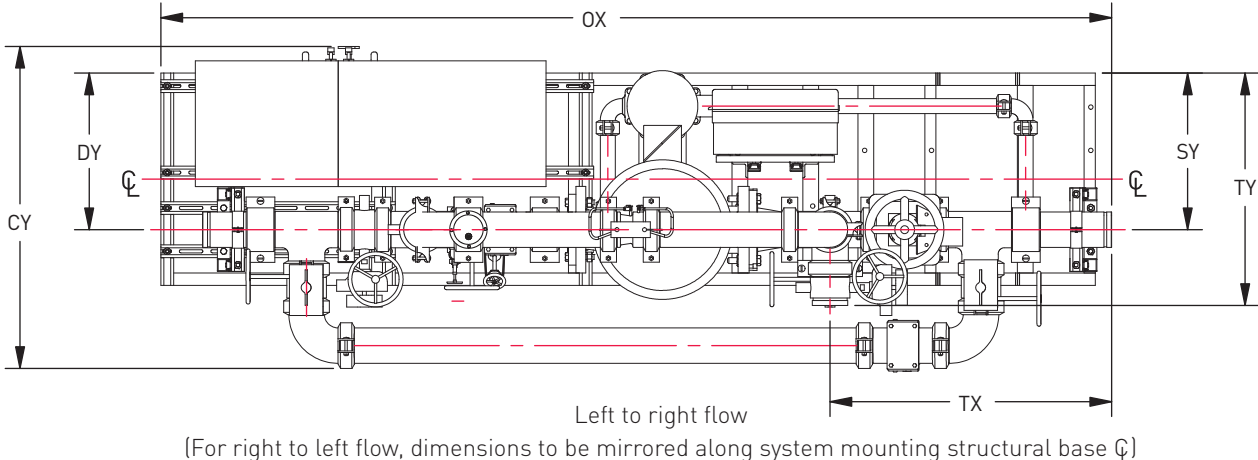
LEGEND	DESCRIPTION
1	In-Line Fire Pump
2	Fire Pump Controller
3	OS&Y Grooved Gate Valve With Tamper Switch
4	Butterfly Isolation Valve With Tamper Switch
5	Grooved Check Valve
6	Suction And Discharge Gauges
7	Casing Relief Valve
8	Jockey Controller
9	PVM Multistage Jockey Pump
10	1/2" Pressure Sensing Line
11	Automatic Air Release Valve (With Test Loop Only)
12	Grooved Flowmeter
13	System Mounting Structural Base
14	Jockey Relief Valve (Optional)
A	Suction, Grooved
B	Discharge, Grooved
C	Hose Header, Grooved
D	Casing Relief Valve, 3/4" FNPT
E	Fire Pump Controller Incoming Electrical
F	Jockey Pump Controller Incoming Electrical
L1*	Hose Header Assembly With Ball Drip Valve
L2	Flow Meter Gauge (Optional)

NOTES

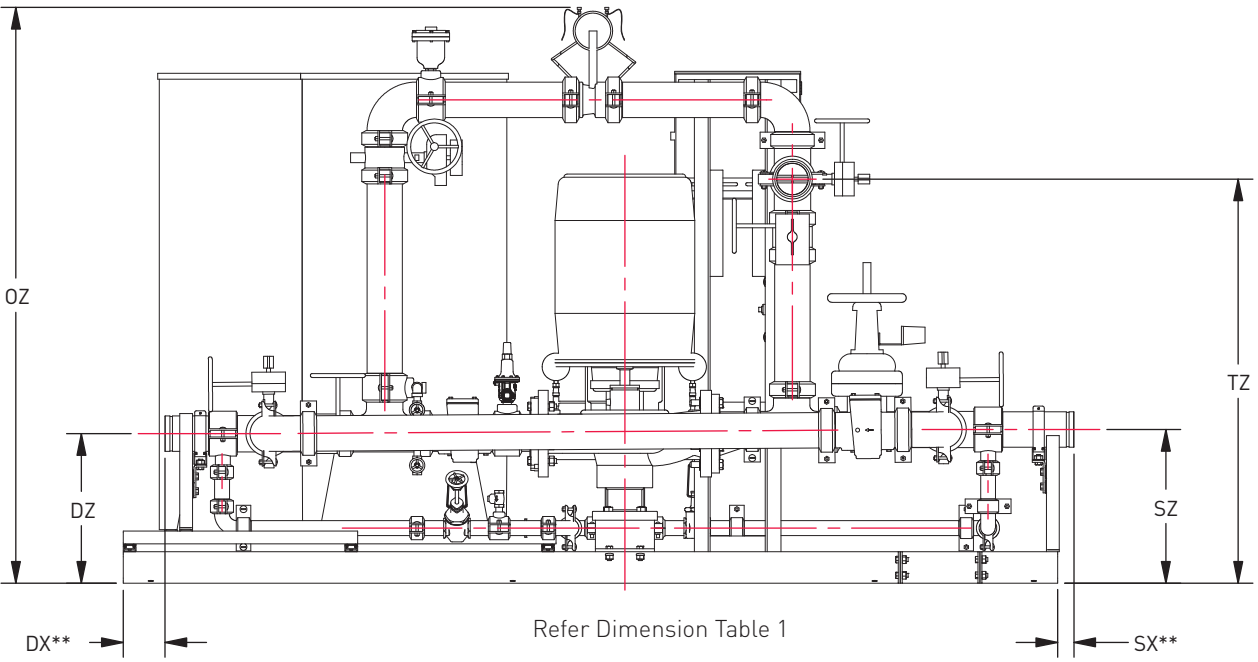
1. Third party ETL listed to ensure compliance to latest NFPA, NEC and UL/FM stds.
 2. Structural steel base to be grouted on site by others.
 3. Tamper switches to be wired to customer alarm by others.
 4. All pipes are of schedule 40 steel painted red per Fairbanks Nijhuis or FBN STD 668.
 5. All pump and piping drains to be piped to customer supplied drain location.
 6. Refer to specific controller manufacture's latest dimensional drawings for alternate starting methods and transfer switch.
 7. All pipe connections are grooved.
- * Test header hardware and gasket provided by others. For hose header size see "Customer Connection Sizes" table 'C' column.

COMPACT FIRE PUMP SYSTEM

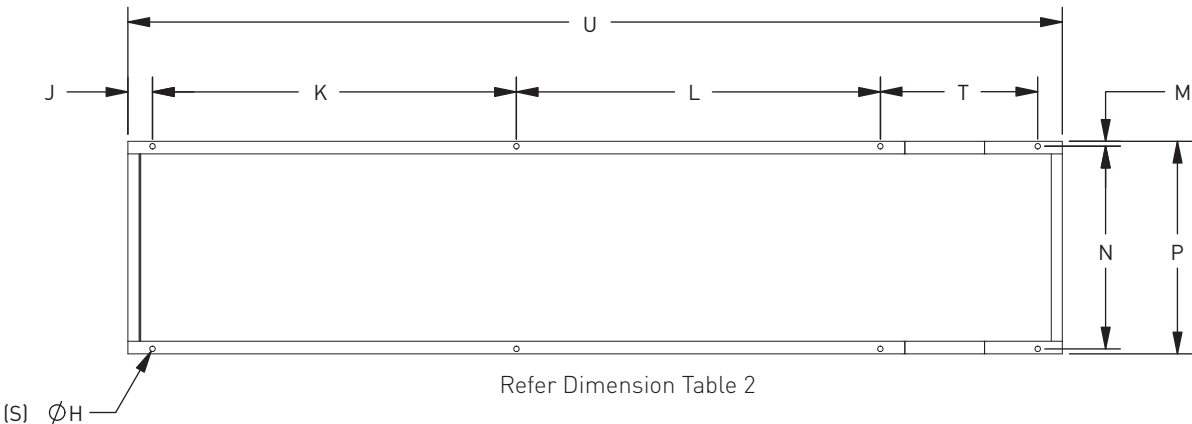
TOP VIEW



BACK VIEW



ANCHOR BOLT HOLES - ANCHOR BOLTS SUPPLIED BY OTHERS



DIMENSION TABLE 1 – CFPS-2 WITH TEST HEADER

S.NO	FLOW	PUMP	SX**	SY	SZ	DX**	DY	DZ	TX	TY	TZ	OX	OY	OZ
1	750	8"1595AF	-	-	-	-	-	-	-	-	-	-	-	-
2	750	4"1593F	-1.5	19.9	23.8	12.4	19.9	23.8	74.7	32.4	38.5	107.7	35	78.4
3	750	4"1594BF	0.5	19.9	23.1	14.4	19.9	23.1	70.7	32.4	37.8	106.3	35	78.4
4	500	4"1594BF	0.5	19.9	23.1	14.4	19.9	23.1	70.7	29.6	36.3	106.3	32.9	78.4
5	500	4"1593CF	-2	19.9	20.5	17.4	19.9	21	70.3	29.6	34.2	108.3	32.9	78.4
6	500	4"1593BF	-2	19.9	20.5	17.4	19.9	21	70.3	29.6	34.2	108.3	32.9	78.4
7	500	4"1591CF	-2	19.9	20.2	17.4	19.9	21.3	70.3	29.6	34.5	108.3	32.9	78.4
8	500	4"1591BF	-2	19.9	20.2	17.4	19.9	21.3	70.3	29.6	34.5	108.3	32.9	78.4
9	500	4"1594F	0.5	19.9	23.1	14.4	19.9	23.1	70.7	29.6	36.3	106.3	32.9	78.4
10	450	4"1593BF	-2	19.9	20.5	17.4	19.9	21	70.3	29.6	34.2	108.3	32.9	78.4
11	450	4"1592F	-2	19.9	20.5	17.4	19.9	21	70.3	29.6	34.2	108.3	32.9	78.4
12	450	4"1591CF	-2	19.9	20.2	17.4	19.9	21.3	70.3	29.6	34.5	108.3	32.9	78.4
13	450	4"1591BF	-2	19.9	20.2	17.4	19.9	21.3	70.3	29.6	34.5	108.3	32.9	78.4
14	450	4"1594BF	0.5	19.9	23.1	14.4	19.9	23.1	70.7	29.6	36.3	106.3	32.9	78.4
15	450	4"1594F	0.5	19.9	23.1	14.4	19.9	23.1	70.7	29.6	36.3	106.3	32.9	78.4
16	400	4"1593BF	1.6	19.9	21.5	15.4	19.9	21	63.9	29.6	32.7	98.8	34.7	67.1
17	400	4"1592F	1.6	19.9	21.5	15.4	19.9	21	63.9	29.6	32.7	98.8	34.7	67.1
18	400	4"1591CF	6.6	19.9	21.3	15.4	19.9	21.3	58.9	29.6	33	98.8	34.7	67.1
19	400	4"1591BF	6.6	19.9	21.3	15.4	19.9	21.3	58.9	29.6	33	98.8	34.7	67.1
20	400	4"1594F	-1.9	19.9	24.1	12.4	19.9	23.1	70.4	29.6	34.8	100.7	34.7	67.1
21	300	4"1593BF	1.6	19.9	21.5	15.4	19.9	21	63.9	28.1	31.6	98.8	33.6	67.1
22	300	4"1592F	1.6	19.9	21.5	15.4	19.9	21	63.9	28.1	31.6	98.8	33.6	67.1
23	300	4"1591BF	6.6	19.9	21.3	15.4	19.9	21.3	58.9	28.1	31.9	98.8	33.6	67.1
24	300	3"1593BF	6.6	19.9	20.9	15.4	19.9	20.9	58.9	28.1	31.5	98.8	33.6	67.1
25	300	3"1591CF	6.6	19.9	20.8	15.4	19.9	20.8	58.9	28.1	31.4	98.8	33.6	67.1
26	250	4"1592F	1.6	19.9	21.5	19.5	19.9	21	61.6	28.1	30.9	98.8	33.5	67.1
27	250	3"1593BF	6.6	19.9	20.9	19.6	19.9	20.9	56.5	28.1	30.8	98.8	33.5	67.1
28	250	3"1593F	6.6	19.9	19.9	19.6	19.9	19.9	56.5	28.1	29.8	98.8	33.5	67.1
29	250	3"1591CF	6.6	19.9	20.8	19.6	19.9	20.8	56.5	28.1	30.6	98.8	33.5	67.1
30	250	3"1591BF	4.1	19.9	19.8	21.1	19.9	20.3	57.5	28.1	30.1	98.8	33.5	67.1
31	200	3"1593BF	2.5	19.9	19.9	9.6	19.9	19.4	59.2	27.6	28.8	87.3	32.9	67.1
32	200	3"1592AF	6.6	19.9	18.8	9.6	19.9	18.8	55.1	27.6	28.1	87.3	32.9	67.1
33	200	3"1593F	2.5	19.9	18.9	9.6	19.9	18.4	59.2	27.6	27.8	87.3	32.9	67.1
34	200	3"1591CF	2.5	19.9	19.8	9.6	19.9	19.3	59.2	27.6	28.6	87.3	32.9	67.1
35	200	3"1591AF	8.1	19.9	18.8	11.1	19.9	18.8	52.1	27.6	28.1	87.3	32.9	67.1
36	150	3"1593BF	3	19.9	20.2	9	19.9	19.4	59.8	27.6	28.3	87.3	34.2	67.1
37	150	3"1592AF	2	19.9	19.1	9	19.9	18.8	60.8	27.6	27.6	87.3	34.2	67.1
38	150	3"1591CF	3	19.9	20.1	9	19.9	19.3	59.8	27.6	28.1	87.3	34.2	67.1
39	150	3"1591AF	3.5	19.9	19.1	10.5	19.9	18.8	57.8	27.6	27.6	87.3	34.2	67.1
40	100	3"1593BF	-1.3	19.9	20.4	6.6	19.9	19.4	61.7	27.6	32.8	88.5	32.8	67.1
41	100	3"1592AF	-0.8	19.9	19.3	6.6	19.9	18.8	61.2	27.6	32.2	88	32.8	67.1
42	100	3"1591AF	0.8	19.9	19.3	8.1	19.9	18.8	58.2	27.6	32.2	87.3	32.8	67.1
43	100	2"1591CF	4.4	19.9	17.8	10.2	19.9	17.8	52.5	27.6	31.2	87.3	32.8	67.1
44	50	3"1593BF	-1.3	19.9	20.4	6.6	19.9	19.4	61.7	27.5	26.7	88.5	31.1	67.1
45	50	3"1592AF	-0.8	19.9	19.3	6.6	19.9	18.8	61.2	27.5	26.1	88	31.1	67.1
46	50	2"1591CF	4.4	19.9	17.8	10.2	19.9	17.8	52.5	27.5	25.1	87.3	31.1	67.1

1. Dimensions are in inches [mm] and may vary $\pm 1/2"$.
2. Overall dimensions may vary depending on the controller selection by customer.
3. ** Table 1 values in parantheses () denote the pipe projection overhangs skid.

DIMENSION TABLE 1 – CFPS-5 WITH TEST HEADER AND BYPASS LOOP

S.NO	FLOW	PUMP	SX**	SY	SZ	DX**	DY	DZ	TX	TY	TZ	OX	OY	OZ
1	750	8"1595AF	-	-	-	-	-	-	-	-	-	-	-	-
2	750	4"1593F	-1.7	19.9	23.8	-0.7	19.9	23.8	87.8	32.4	38.5	121.5	45.1	78.4
3	750	4"1594BF	0.3	19.9	23.1	1.3	19.9	23.1	83.8	32.4	37.8	119.1	45.1	78.4
4	500	4"1594BF	0.3	19.9	23.1	1.3	19.9	23.1	83.8	29.6	36.3	119.1	45.1	78.4
5	500	4"1593CF	-2.2	19.9	20.5	4.3	19.9	21	83.4	29.6	34.2	121.4	45.1	78.4
6	500	4"1593BF	-2.2	19.9	20.5	4.3	19.9	21	83.4	29.6	34.2	121.4	45.1	78.4
7	500	4"1591CF	-2.2	19.9	20.2	4.3	19.9	21.3	83.3	29.6	34.5	121.4	45.1	78.4
8	500	4"1591BF	-2.2	19.9	20.2	4.3	19.9	21.3	83.3	29.6	34.5	121.4	45.1	78.4
9	500	4"1594F	0.3	19.9	23.1	1.3	19.9	23.1	83.8	29.6	36.3	119.1	45.1	78.4
10	450	4"1593BF	-2.2	19.9	20.5	4.3	19.9	21	83.4	29.6	34.2	121.4	45.1	78.4
11	450	4"1592F	-2.2	19.9	20.5	4.3	19.9	21	83.4	29.6	34.2	121.4	45.1	78.4
12	450	4"1591CF	-2.2	19.9	20.2	4.3	19.9	21.3	83.3	29.6	34.5	121.4	45.1	78.4
13	450	4"1591BF	-2.2	19.9	20.2	4.3	19.9	21.3	83.3	29.6	34.5	121.4	45.1	78.4
14	450	4"1594BF	0.3	19.9	23.1	1.3	19.9	23.1	83.8	29.6	36.3	119.1	45.1	78.4
15	450	4"1594F	0.3	19.9	23.1	1.3	19.9	23.1	83.8	29.6	36.3	119.1	45.1	78.4
16	400	4"1593BF	1.4	19.9	21.5	5.3	19.9	21	74	29.6	32.7	108.6	41.4	67.1
17	400	4"1592F	1.4	19.9	21.5	5.3	19.9	21	74	29.6	32.7	108.6	41.4	67.1
18	400	4"1591CF	6.4	19.9	21.3	5.3	19.9	21.3	69	29.6	33	108.6	41.4	67.1
19	400	4"1591BF	6.4	19.9	21.3	5.3	19.9	21.3	69	29.6	33	108.6	41.4	67.1
20	400	4"1594F	-2.1	19.9	24.1	2.3	19.9	23.1	80.5	29.6	34.8	110.8	41.4	67.1
21	300	4"1593BF	1.4	19.9	21.5	5.3	19.9	21	74	28.1	31.6	108.6	41.4	67.1
22	300	4"1592F	1.4	19.9	21.5	5.3	19.9	21	74	28.1	31.6	108.6	41.4	67.1
23	300	4"1591BF	6.4	19.9	21.3	5.3	19.9	21.3	69	28.1	31.9	108.6	41.4	67.1
24	300	3"1593BF	6.4	19.9	20.9	5.3	19.9	20.9	69	28.1	31.5	108.6	41.4	67.1
25	300	3"1591CF	6.4	19.9	20.8	5.3	19.9	20.8	69	28.1	31.4	108.6	41.4	67.1
26	250	4"1592F	1.4	19.9	21.5	11	19.9	21	71.7	28.1	30.9	108.6	43.7	67.1
27	250	3"1593BF	6.4	19.9	20.9	11	19.9	20.9	66.6	28.1	30.8	108.6	43.7	67.1
28	250	3"1593F	6.4	19.9	19.9	11	19.9	19.9	66.6	28.1	29.8	108.6	43.7	67.1
29	250	3"1591CF	6.4	19.9	20.8	11	19.9	20.8	66.6	28.1	30.6	108.6	43.7	67.1
30	250	3"1591BF	3.9	19.9	19.8	12.5	19.9	20.3	67.6	28.1	30.1	108.6	43.7	67.1
31	200	3"1593BF	0.3	19.9	19.9	1	19.9	19.4	67.8	27.6	28.8	93.6	38.3	67.1
32	200	3"1592AF	4.4	19.9	18.8	1	19.9	18.8	63.7	27.6	28.1	93.6	38.3	67.1
33	200	3"1593F	0.3	19.9	18.9	1	19.9	18.4	67.8	27.6	27.8	93.6	38.3	67.1
34	200	3"1591CF	0.3	19.9	19.8	1	19.9	19.3	67.8	27.6	28.6	93.6	38.3	67.1
35	200	3"1591AF	5.9	19.9	18.8	2.5	19.9	18.8	60.7	27.6	28.1	93.6	38.3	67.1
36	150	3"1593BF	1.8	19.9	20.2	1.4	19.9	19.4	67.3	27.6	28.3	93.6	37.2	67.1
37	150	3"1592AF	0.8	19.9	19.1	1.4	19.9	18.8	68.3	27.6	27.6	93.6	37.2	67.1
38	150	3"1591CF	1.8	19.9	20.1	1.4	19.9	19.3	67.3	27.6	28.1	93.6	37.2	67.1
39	150	3"1591AF	2.3	19.9	19.1	2.9	19.9	18.8	65.3	27.6	27.6	93.6	37.2	67.1
40	100	3"1593BF	-1.4	19.9	20.4	0.1	19.9	19.4	68.3	27.6	32.8	95.1	36.1	67.1
41	100	3"1592AF	-0.9	19.9	19.3	0.1	19.9	18.8	67.8	27.6	32.2	94.6	36.1	67.1
42	100	3"1591AF	0.6	19.9	19.3	1.6	19.9	18.8	64.8	27.6	32.2	93.6	36.1	67.1
43	100	2"1591CF	4.2	19.9	17.8	3.7	19.9	17.8	59.1	27.6	31.2	93.6	36.1	67.1
44	50	3"1593BF	-1.4	19.9	20.4	0.1	19.9	19.4	68.3	27.5	26.7	95.1	36.1	67.1
45	50	3"1592AF	-0.9	19.9	19.3	0.1	19.9	18.8	67.8	27.5	26.1	94.6	36.1	67.1
46	50	2"1591CF	4.2	19.9	17.8	3.7	19.9	17.8	59.1	27.5	25.1	93.6	36.1	67.1

1. Dimensions are in inches [mm] and may vary $\pm 1/2"$.
2. Overall dimensions may vary depending on the controller selection by customer.
3. ** Table 1 values in parantheses () denote the pipe projection overhangs skid.

DIMENSION TABLE 1 – CFPS-4 WITH TEST HEADER AND TEST LOOP

S.NO	FLOW	PUMP	SX**	SY	SZ	DX**	DY	DZ	TX	TY	TZ	OX	OY	OZ
1	750	8"1595AF	-	-	-	-	-	-	-	-	-	-	-	-
2	750	4"1593F	-1.7	19.9	23.8	12.4	19.9	23.8	25.3	32.4	58.5	120.8	35	84
3	750	4"1594BF	0.3	19.9	23.1	14.4	19.9	23.1	25.3	32.4	57.7	119.1	35	83.3
4	500	4"1594BF	0.3	19.9	23.1	14.4	19.9	23.1	25.3	31.1	57.7	119.1	34.4	83.3
5	500	4"1593CF	-2.2	19.9	20.5	17.4	19.9	21	25.3	31.1	53.2	121.4	34.4	78.7
6	500	4"1593BF	-2.2	19.9	20.5	17.4	19.9	21	25.3	31.1	53.2	121.4	34.4	78.7
7	500	4"1591CF	-2.2	19.9	20.2	17.4	19.9	21.3	25.3	31.1	48.4	121.4	34.4	78.4
8	500	4"1591BF	-2.2	19.9	20.2	17.4	19.9	21.3	25.3	31.1	51.4	121.4	34.4	78.4
9	500	4"1594F	0.3	19.9	23.1	14.4	19.9	23.1	25.3	31.1	57.7	119.1	34.4	83.3
10	450	4"1593BF	-2.2	19.9	20.5	17.4	19.9	21	25.3	29.6	52.4	121.4	32.9	78.4
11	450	4"1592F	-2.2	19.9	20.5	17.4	19.9	21	25.3	29.6	52.4	121.4	32.9	78.4
12	450	4"1591CF	-2.2	19.9	20.2	17.4	19.9	21.3	25.3	29.6	51.1	121.3	32.9	78.4
13	450	4"1591BF	-2.2	19.9	20.2	17.4	19.9	21.3	25.3	29.6	51.1	121.3	32.9	78.4
14	450	4"1594BF	0.4	19.9	23.1	14.4	19.9	23.1	25.3	29.6	57.9	119.1	32.9	79.7
15	450	4"1594F	0.4	19.9	23.1	14.4	19.9	23.1	25.3	29.6	57.9	119.1	32.9	79.7
16	400	4"1593BF	1.4	19.9	21.5	15.4	19.9	21	22.3	29.6	53.4	108.6	34.7	75.2
17	400	4"1592F	1.4	19.9	21.5	15.4	19.9	21	22.3	29.6	53.4	108.6	34.7	75.2
18	400	4"1591CF	6.4	19.9	21.3	15.4	19.9	21.3	22.3	29.6	48.6	108.6	34.7	70.4
19	400	4"1591BF	6.4	19.9	21.3	15.4	19.9	21.3	22.3	29.6	52.6	108.6	34.7	74.4
20	400	4"1594F	-2.1	19.9	24.1	12.4	19.9	23.1	22.3	29.6	58.4	110.8	34.7	80.3
21	300	4"1593BF	1.4	19.9	21.5	15.4	19.9	21	22.3	28.8	53.4	108.6	34.3	75.2
22	300	4"1592F	1.4	19.9	21.5	15.4	19.9	21	22.3	28.8	53.4	108.6	34.3	75.2
23	300	4"1591BF	6.4	19.9	21.3	15.4	19.9	21.3	22.3	28.8	52.6	108.6	34.3	74.4
24	300	3"1593BF	6.4	19.9	20.9	15.4	19.9	20.9	22.3	28.8	48.7	108.6	34.3	70.6
25	300	3"1591CF	6.4	19.9	20.8	15.4	19.9	20.8	22.3	28.8	47.6	108.6	34.3	69.4
26	250	4"1592F	1.4	19.9	21.5	19.5	19.9	21	22.3	28.8	52.3	108.6	34.3	74.1
27	250	3"1593BF	6.4	19.9	20.9	19.6	19.9	20.9	22.3	28.8	45.9	108.6	34.3	67.7
28	250	3"1593F	6.4	19.9	19.9	19.6	19.9	19.9	22.3	28.8	48.7	108.6	34.3	70.5
29	250	3"1591CF	6.4	19.9	20.8	19.6	19.9	20.8	22.3	28.8	45.1	108.6	34.3	67.1
30	250	3"1591BF	3.9	19.9	19.8	21.1	19.9	20.3	22.3	28.8	47.5	108.6	34.3	69.3
31	200	3"1593BF	0.3	19.9	19.9	9.6	19.9	19.4	20.2	28.1	46.2	93.6	33.4	67.1
32	200	3"1592AF	4.4	19.9	18.8	9.6	19.9	18.8	20.2	28.1	50.1	93.6	33.4	68.6
33	200	3"1593F	0.3	19.9	18.9	9.6	19.9	18.4	20.2	28.1	48.2	93.6	33.4	67.1
34	200	3"1591CF	0.3	19.9	19.8	9.6	19.9	19.3	20.2	28.1	45.1	93.6	33.4	67.1
35	200	3"1591AF	5.9	19.9	18.8	11.1	19.9	18.8	20.2	28.1	47.1	93.6	33.4	67.1
36	150	3"1593BF	1.8	19.9	20.2	9	19.9	19.4	19.2	28.1	45.7	93.6	34.7	67.1
37	150	3"1592AF	0.8	19.9	19.1	9	19.9	18.8	19.2	28.1	50.1	93.6	34.7	68.6
38	150	3"1591CF	1.8	19.9	20.1	9	19.9	19.3	19.2	28.1	45.6	93.6	34.7	67.1
39	150	3"1591AF	2.3	19.9	19.1	10.5	19.9	18.8	19.2	28.1	48.6	93.6	34.7	67.1
40	100	3"1593BF	-1.4	19.9	20.4	6.6	19.9	19.4	22.9	27.6	46.7	95.1	33.9	67.1
41	100	3"1592AF	-0.9	19.9	19.3	6.6	19.9	18.8	22.9	27.6	51.1	94.6	33.9	68.6
42	100	3"1591AF	0.6	19.9	19.3	8.1	19.9	18.8	22.9	27.6	48.1	93.6	33.9	67.1
43	100	2"1591CF	4.2	19.9	17.8	10.2	19.9	17.8	22.9	27.6	47.1	93.6	33.9	67.1
44	50	3"1593BF	-1.4	19.9	20.4	6.6	19.9	19.4	22.9	27.5	47.5	95.1	32	67.1
45	50	3"1592AF	-0.9	19.9	19.3	6.6	19.9	18.8	22.9	27.5	52.2	94.6	32	68.8
46	50	2"1591CF	4.2	19.9	17.8	10.2	19.9	17.8	22.9	27.5	47.9	93.6	32	67.1

1. Dimensions are in inches [mm] and may vary ± 1/2".
2. Overall dimensions may vary depending on the controller selection by customer.
3. ** Table 1 values in parantheses () denote the pipe projection overhangs skid.

DIMENSION TABLE 1 – CFPS-6 WITH TEST HEADER, BYPASS AND TEST LOOP

S.NO	FLOW	PUMP	SX**	SY	SZ	DX**	DY	DZ	TX	TY	TZ	OX	OY	OZ
1	750	8"1595AF	-	-	-	-	-	-	-	-	-	-	-	-
2	750	4"1593F	-1.6	19.9	23.8	-0.7	19.9	23.8	38.4	32.4	58.5	134.7	45.1	84
3	750	4"1594BF	0.4	19.9	23.1	1.3	19.9	23.1	38.4	32.4	57.7	132.3	45.1	83.3
4	500	4"1594BF	0.4	19.9	23.1	1.3	19.9	23.1	38.4	31.1	57.7	132.3	45.1	83.3
5	500	4"1593CF	-2.2	19.9	20.5	4.3	19.9	21	38.4	31.1	53.2	134.5	45.1	78.7
6	500	4"1593BF	-2.2	19.9	20.5	4.3	19.9	21	38.4	31.1	53.2	134.5	45.1	78.7
7	500	4"1591CF	-2.2	19.9	20.2	4.3	19.9	21.3	38.4	31.1	48.4	134.5	45.1	78.4
8	500	4"1591BF	-2.2	19.9	20.2	4.3	19.9	21.3	38.4	31.1	51.4	134.5	45.1	78.4
9	500	4"1594F	0.4	19.9	23.1	1.3	19.9	23.1	38.4	31.1	57.7	132.3	45.1	83.3
10	450	4"1593BF	-2.2	19.9	20.5	4.3	19.9	21	38.4	29.6	52.4	134.5	45.1	78.4
11	450	4"1592F	-2.2	19.9	20.5	4.3	19.9	21	38.4	29.6	52.4	134.5	45.1	78.4
12	450	4"1591CF	-2.2	19.9	20.2	4.3	19.9	21.3	38.4	29.6	51.1	134.5	45.1	78.4
13	450	4"1591BF	-2.2	19.9	20.2	4.3	19.9	21.3	38.4	29.6	51.1	134.5	45.1	78.4
14	450	4"1594BF	0.4	19.9	23.1	1.3	19.9	23.1	38.4	29.6	57.9	132.3	45.1	79.7
15	450	4"1594F	0.4	19.9	23.1	1.3	19.9	23.1	38.4	29.6	57.9	132.3	45.1	79.7
16	400	4"1593BF	1.4	19.9	21.5	5.3	19.9	21	32.4	29.6	53.4	118.8	41.4	75.2
17	400	4"1592F	1.4	19.9	21.5	5.3	19.9	21	32.4	29.6	53.4	118.8	41.4	75.2
18	400	4"1591CF	6.5	19.9	21.3	5.3	19.9	21.3	32.4	29.6	48.6	118.8	41.4	70.4
19	400	4"1591BF	6.5	19.9	21.3	5.3	19.9	21.3	32.4	29.6	52.6	118.8	41.4	74.4
20	400	4"1594F	-2.1	19.9	24.1	2.3	19.9	23.1	32.4	29.6	58.4	120.9	41.4	80.3
21	300	4"1593BF	1.4	19.9	21.5	5.3	19.9	21	32.4	28.8	53.4	118.8	41.4	75.2
22	300	4"1592F	1.4	19.9	21.5	5.3	19.9	21	32.4	28.8	53.4	118.8	41.4	75.2
23	300	4"1591BF	6.5	19.9	21.3	5.3	19.9	21.3	32.4	28.8	52.6	118.8	41.4	74.4
24	300	3"1593BF	6.5	19.9	20.9	5.3	19.9	20.9	32.4	28.8	48.7	118.8	41.4	70.6
25	300	3"1591CF	6.5	19.9	20.8	5.3	19.9	20.8	32.4	28.8	47.6	118.8	41.4	69.4
26	250	4"1592F	1.4	19.9	21.5	11	19.9	21	32.4	28.8	52.3	118.8	43.7	74.1
27	250	3"1593BF	6.5	19.9	20.9	11	19.9	20.9	32.4	28.8	45.9	118.8	43.7	67.7
28	250	3"1593F	6.5	19.9	19.9	11	19.9	19.9	32.4	28.8	48.7	118.8	43.7	70.5
29	250	3"1591CF	6.5	19.9	20.8	11	19.9	20.8	32.4	28.8	45.1	118.8	43.7	67.1
30	250	3"1591BF	4	19.9	19.8	12.5	19.9	20.3	32.4	28.8	47.5	118.8	43.7	69.3
31	200	3"1593BF	-1.7	19.9	19.9	1	19.9	19.4	28.7	28.1	46.2	102	38.3	67.1
32	200	3"1592AF	2.4	19.9	18.8	1	19.9	18.8	28.7	28.1	50.1	100.2	38.3	68.6
33	200	3"1593F	-1.7	19.9	18.9	1	19.9	18.4	28.7	28.1	48.2	102	38.3	67.1
34	200	3"1591CF	-1.7	19.9	19.8	1	19.9	19.3	28.7	28.1	45.1	102	38.3	67.1
35	200	3"1591AF	3.9	19.9	18.8	2.5	19.9	18.8	28.7	28.1	47.1	100.2	38.3	67.1
36	150	3"1593BF	0.9	19.9	20.2	1.4	19.9	19.4	26.7	28.1	45.7	100.2	37.2	67.1
37	150	3"1592AF	-0.1	19.9	19.1	1.4	19.9	18.8	26.7	28.1	50.1	100.4	37.2	68.6
38	150	3"1591CF	0.9	19.9	20.1	1.4	19.9	19.3	26.7	28.1	45.6	100.2	37.2	67.1
39	150	3"1591AF	1.4	19.9	19.1	2.9	19.9	18.8	26.7	28.1	48.6	100.2	37.2	67.1
40	100	3"1593BF	-1.4	19.9	20.4	0.1	19.9	19.4	29.5	27.6	46.7	101.6	36.1	67.1
41	100	3"1592AF	-0.9	19.9	19.3	0.1	19.9	18.8	29.5	27.6	51.1	101.1	36.1	68.6
42	100	3"1591AF	0.6	19.9	19.3	1.6	19.9	18.8	29.5	27.6	48.1	100.2	36.1	67.1
43	100	2"1591CF	4.3	19.9	17.8	3.7	19.9	17.8	29.5	27.6	47.1	100.2	36.1	67.1
44	50	3"1593BF	-1.4	19.9	20.4	0.1	19.9	19.4	29.5	27.5	47.5	101.6	36.1	67.1
45	50	3"1592AF	-0.9	19.9	19.3	0.1	19.9	18.8	29.5	27.5	52.2	101.1	36.1	68.8
46	50	2"1591CF	4.3	19.9	17.8	3.7	19.9	17.8	29.5	27.5	47.9	100.2	36.1	67.1

1. Dimensions are in inches [mm] and may vary $\pm 1/2"$.
2. Overall dimensions may vary depending on the controller selection by customer.
3. ** Table 1 values in parantheses () denote the pipe projection overhangs skid.

DIMENSION TABLE 2 – SYSTEM MOUNTING STRUCTURAL BASE

S.NO	FLOW	J	K	L	M	N	P	H	A0	B/T	NO	A0	B/T	NO	A0	B/T	NO
									S			T			U		
1	450-750	3.1	50.0	50.0	0.6	25.8	27.0	0.6	8.0	8.0	6.0	26.0	12.9	-	132.3	119.1	106.3
2	250-400	3.1	46.3	46.3	0.6	25.8	27.0	0.6	8.0	8.0	6.0	20.0	9.9	-	118.8	108.6	98.8
3	50-200	3.1	40.5	40.5	0.6	25.8	27.0	0.6	8.0	8.0	6.0	19.3	9.2	-	100.2	93.6	87.3

A0: with all options (CFPS-6 with test header, bypass and test loop).

B/T: with bypass only(CFPS-5 with test header and bypass loop)/with test loop only (CFPS-4 with test header and test loop).

NO: without bypass and test loop (CFPS - 2 with test header).



800 AIRPORT ROAD,
NORTH AURORA, ILLINOIS 60542
www.FairbanksNijhuis.com

3601 FAIRBANKS AVENUE,
KANSAS CITY, KANSAS 66106

Because we are continuously improving our products and services, Pentair reserves the right to change specifications without prior notice.
FMF-02-1045 02/15/17 © 2017 Pentair plc All Rights Reserved.

FAIRBANKS NIJHUIS
PUMPS ARE

