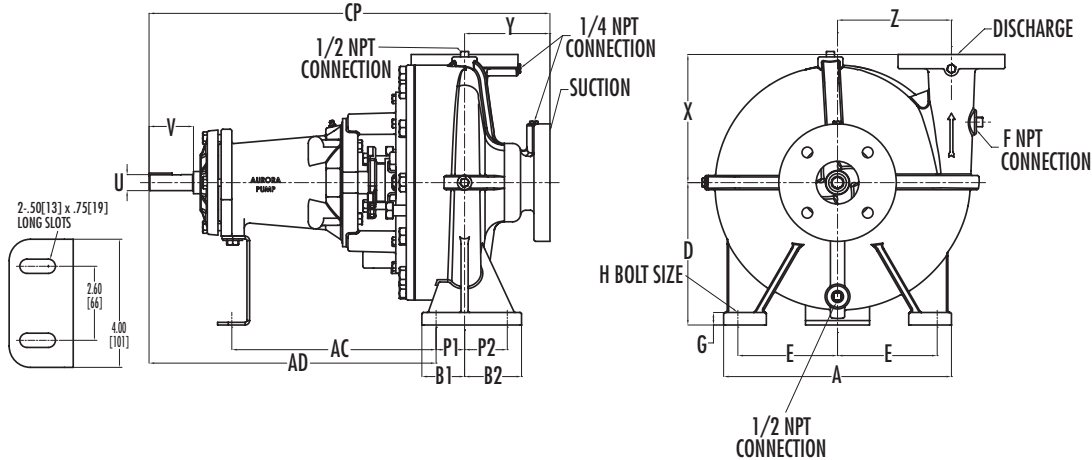


FAIRBANKS NIJHUIS™ MODEL 1620F PUMPS



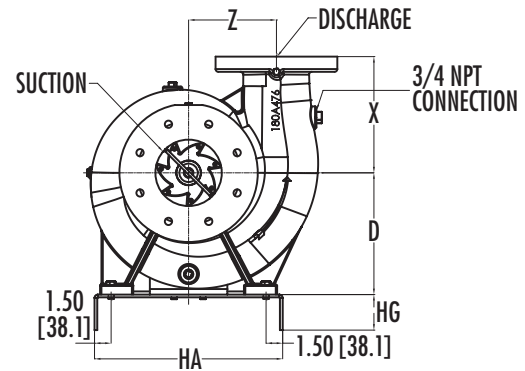
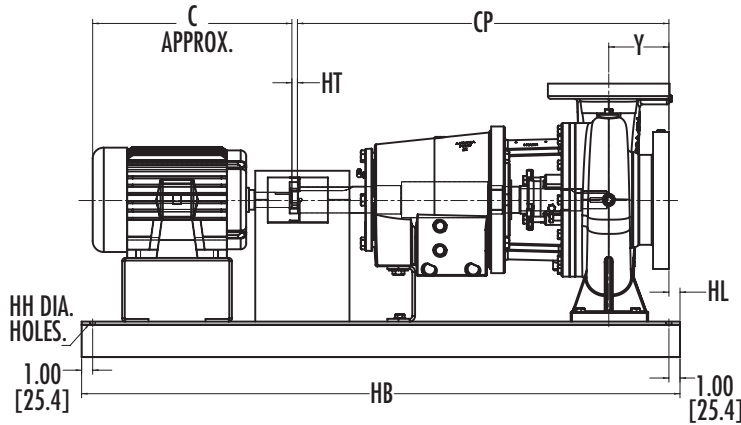
Model	Disch.	Suct.	D	X	Y	Z	P1	P2	B1	B2	G	H	E	A	AC	AD	CP	U Dia.	V	F	L	Key
2 1/2" 1621F	2.5	3	7.00 (178)	6.00 (152)	4.25 (108)	4.69 (119)	1.63 (41)	1.38 (35)	2.63 (67)	2.38 (60)	0.63 (16)	0.44 (11)	3.25 (83)	8.00 (203)	14.69 (373)	20.50 (521)	26.38 (670)	1.13 (29)	3.13 (79)	0.75 (19)	4.50 (114)	.25 (6) SQ x 1.75 (44) LNG
4" 1621F	4	5	8.00 (203)	7.50 (191)	4.94 (125)	5.75 (146)	2.25 (57)	2.13 (54)	3.06 (78)	2.94 (75)	0.75 (19)	0.44 (11)	4.57 (116)	11.00 (279)	14.15 (359)	19.97 (507)	27.16 (690)	1.13 (29)	3.13 (79)	0.75 (19)	4.50 (114)	.25 (6) SQ x 1.75 (44) LNG
4" 1622F	4	5	10.00 (254)	8.00 (203)	5.00 (127)	7.01 (178)	1.88 (48)	2.50 (64)	2.69 (68)	3.31 (84)	0.75 (19)	0.44 (11)	4.56 (116)	11.00 (279)	17.26 (438)	26.39 (670)	33.27 (845)	2.38 (60)	6.13 (156)	0.75 (19)	4.50 (114)	.63 (16) SQ x 4.00 (102) LNG
5" 1622F	5	6	11.00 (279)	10.00 (254)	6.00 (152)	7.50 (191)	2.19 (56)	2.81 (71)	3.19 (81)	3.81 (97)	0.88 (22)	0.50 (13)	7.00 (178)	16.00 (406)	17.12 (435)	26.25 (667)	34.44 (875)	2.38 (60)	6.13 (156)	0.75 (19)	7.00 (178)	.63 (16) SQ x 4.00 (102) LNG
6" 1621F	6	8	11.00 (279)	10.50 (267)	7.00 (178)	8.25 (210)	3.13 (80)	1.87 (47)	4.13 (105)	2.88 (73)	0.88 (22)	0.50 (13)	7.00 (178)	16.00 (406)	16.12 (409)	25.25 (641)	35.38 (899)	2.38 (60)	6.13 (156)	0.75 (19)	7.00 (178)	.63 (16) SQ x 4.00 (102) LNG
2" 1623F	2	3	10.00 (254)	8.00 (203)	5.50 (140)	6.50 (165)	2.23 (57)	2.77 (70)	3.23 (82)	3.77 (96)	0.88 (22)	0.50 (13)	7.00 (178)	16.00 (406)	13.93 (354)	19.75 (502)	27.47 (698)	1.13 (29)	3.13 (79)	0.75 (19)	4.50 (114)	.25 (6) SQ x 1.75 (44) LNG
3" 1623F ⁴	3	4	10.00 (254)	9.50 (241)	5.50 (140)	7.38 (187)	2.44 (62)	2.56 (65)	3.44 (87)	3.56 (90)	0.88 (22)	0.44 (11)	7.00 (178)	16.00 (406)	16.43 (417)	25.56 (649)	33.50 (851)	2.38 (60)	6.13 (156)	0.75 (19)	7.00 (178)	.63 (16) SQ x 4.00 (102) LNG
2 1/2" 1623F	2.5	3	10.00 (254)	9.00 (229)	6.00 (152)	8.00 (203)	2.00 (51)	3.00 (76)	3.00 (76)	4.00 (102)	0.88 (22)	0.50 (13)	7.00 (178)	16.00 (406)	14.35 (364)	20.16 (512)	28.16 (715)	1.13 (29)	3.13 (79)	0.75 (19)	4.50 (114)	.25 (6) SQ x 1.75 (44) LNG
3" 1624F ⁴	3	4	10.00 (254)	9.50 (241)	5.62 (143)	8.00 (203)	2.13 (54)	2.88 (73)	3.13 (79)	3.88 (98)	0.88 (22)	0.50 (13)	7.00 (178)	16.00 (406)	16.91 (429)	26.03 (661)	33.78 (858)	2.38 (60)	6.13 (156)	0.75 (19)	7.00 (178)	.63 (16) SQ x 4.00 (102) LNG
6" 1623F	6	8	12.63 (321)	13.38 (340)	6.50 (165)	9.31 (237)	4.50 (114)	4.50 (114)	5.50 (140)	5.50 (140)	1.00 (25)	0.63 (16)	10.50 (267)	23.00 (584)	14.59 (371)	23.72 (603)	34.72 (882)	2.38 (60)	6.13 (156)	1.25 (32)	7.00 (178)	.63 (16) SQ x 4.00 (102) LNG
8" 1622F	8	10	15.00 (381)	14.00 (356)	8.00 (203)	11.00 (279)	4.50 (114)	4.50 (114)	5.50 (140)	5.50 (140)	1.00 (25)	0.63 (16)	10.50 (267)	23.00 (584)	14.43 (366)	23.56 (598)	36.06 (916)	2.38 (60)	6.13 (156)	1.25 (32)	7.00 (178)	.63 (16) SQ x 4.00 (102) LNG

NOTES:

1. Dimensions are approximate.
2. All dimensions are in inches (mm) and may vary ± 1/4 (6).
3. Not for construction purposes unless certified.
4. For 3" 1623F and 3" 1624F pump sizes ANSI 125# suction and 250# discharge flanges are standard, 250# suction and discharge or 125# suction and discharge are available as options.
5. For all other pump sizes 125# ANSI suction and discharge flanges are standard. 250# suction and discharge or 125# suction and 250# discharge available as options.

FAIRBANKS NIJHUIS™ MODEL 1620F PUMPS

ON STANDARD STEEL BASE



Model	Disch.	Suct.	Motor Frame Size	CP	Base Size	HA	HB	HG	C	D	X	Y	Z
2 1/2" 1621F PF 3	2.5	3	184T	26.38 (670)	15x44	15 (381)	44 (1118)	3.38 (86)	15 (381)	7 (178)	6 (152)	4.25 (108)	4.69 (119)
			213T		18x48	18 (457)	48 (1219)	4 (102)	18 (457)				
			215T		18x48	18 (457)	48 (1219)	4 (102)	19 (483)				
			254T		18x54	18 (457)	54 (1372)	4 (102)	24 (610)				
			256T		18x54	18 (457)	54 (1372)	4 (102)	25 (635)				
			284T		18x54	18 (457)	54 (1372)	4 (102)	27 (686)				
			284TS		18x54	18 (457)	54 (1372)	4 (102)	25 (635)				
4" 1621F PF 3	4	5	215T	27.16 (690)	18x48	18 (457)	48 (1219)	4 (102)	19 (483)	8 (203)	7.5 (190)	4.94 (125)	5.75 (146)
			254T		18x54	18 (457)	54 (1372)	4 (102)	24 (610)				
			256T		18x54	18 (457)	54 (1372)	4 (102)	25 (635)				
			284T		18x54	18 (457)	54 (1372)	4 (102)	27 (686)				
			284TS		18x54	18 (457)	54 (1372)	4 (102)	25 (635)				
			286T		18x54	18 (457)	54 (1372)	4 (102)	28 (711)				
			286TS		18x54	18 (457)	54 (1372)	4 (102)	26 (660)				
			324T		18x60	18 (457)	60 (1524)	4 (102)	29 (737)				
			324TS		18x60	18 (457)	60 (1524)	4 (102)	28 (711)				
			326T		18x60	18 (457)	60 (1524)	4 (102)	31 (787)				
			326TS		18x60	18 (457)	60 (1524)	4 (102)	29 (737)				
4" 1622F PF 21	4	5	256T	33.27 (845)	18x60	18 (457)	60 (1524)	4 (102)	25 (635)	10 (254)	8 (203)	5 (127)	7.01 (178)
			284T		18x60	18 (457)	60 (1524)	4 (102)	27 (686)				
			284TS		18x60	18 (457)	60 (1524)	4 (102)	25 (635)				
			286T		18x60	18 (457)	60 (1524)	4 (102)	28 (711)				
			286TS		18x60	18 (457)	60 (1524)	4 (102)	26 (660)				
			324T		22x64	22 (559)	64 (1626)	4 (102)	29 (737)				
			324TS		22x64	22 (559)	64 (1626)	4 (102)	28 (711)				
			326T		22x64	22 (559)	64 (1626)	4 (102)	31 (787)				
			326TS		22x64	22 (559)	64 (1626)	4 (102)	29 (737)				
			364T		22x64	22 (559)	64 (1626)	4 (102)	33 (838)				
			364TS		22x64	22 (559)	64 (1626)	4 (102)	31 (787)				
			365T		22x64	22 (559)	64 (1626)	4 (102)	34 (864)				
			365TS		22x64	22 (559)	64 (1626)	4 (102)	32 (813)				
			404T		22x72	22 (559)	72 (1829)	4 (102)	38 (965)				
			404TS		22x72	22 (559)	72 (1829)	4 (102)	34 (864)				
			405T*		22x72	22 (559)	72 (1829)	4 (102)	39 (991)				
			405T		22x72	22 (559)	72 (1829)	4 (102)	39 (991)				
			405TS*		22x72	22 (559)	72 (1829)	4 (102)	36 (914)				
			405TS		22x72	22 (559)	72 (1829)	4 (102)	36 (914)				
			444T		26x72	26 (660)	72 (1829)	4.5 (114)	45 (1143)				
444TS	26x72	26 (660)	72 (1829)	4.5 (114)	41 (1041)								
									11 (279)				

NOTES:

1. Dimensions are approximate.
2. All dimensions are in inches (mm) and may vary ± 1/4 (6).
3. Not for construction purposes unless certified.
4. 125# ANSI suction and discharge flanges are standard. 250# suction and discharge or 125# suction and 250# discharge available as options.

* 3000 RPM 150HP Frame

FAIRBANKS NIJHUIS™ MODEL 1620F PUMPS

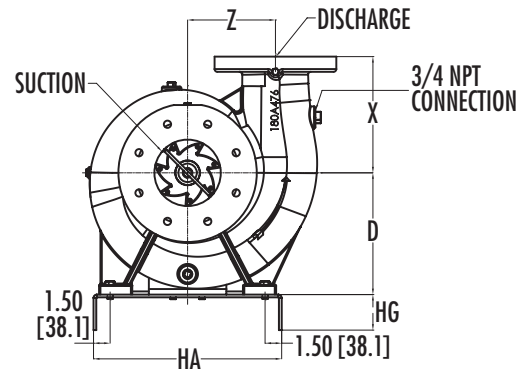
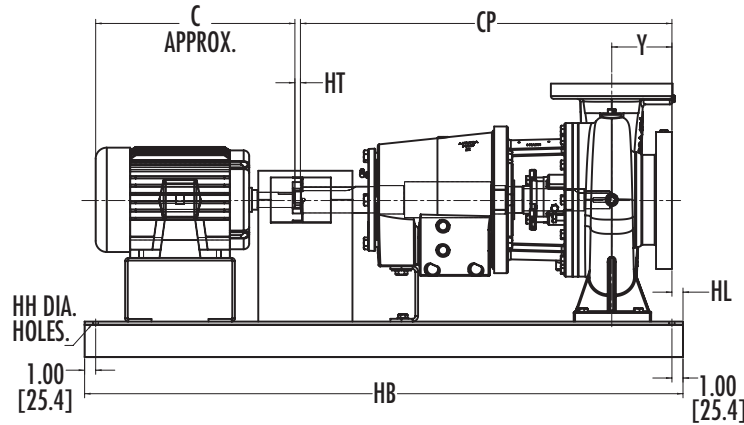
ON STANDARD STEEL BASE

Section **911.5** Page **203**

Date **April 15, 2014**

Supersedes Section 911.5 Page 203

Dated May 2013



Model	Disch.	Suct.	Motor Frame Size	CP	Base Size	HA	HB	HG	C	D	X	Y	Z
5" 1622F PF 21	5	6	284T	34.44 (875)	22x64	22 (559)	64 (1626)	4 (102)	27 (686)	11 (279)	10 (254)	6 (152)	7.5 (190)
			284TS		22x64	22 (559)	64 (1626)	4 (102)	25 (635)				
			286T		22x64	22 (559)	64 (1626)	4 (102)	28 (711)				
			286TS		22x64	22 (559)	64 (1626)	4 (102)	26 (660)				
			324T		22x64	22 (559)	64 (1626)	4 (102)	29 (737)				
			324TS		22x64	22 (559)	64 (1626)	4 (102)	28 (711)				
			326T		22x64	22 (559)	64 (1626)	4 (102)	31 (787)				
			326TS		22x64	22 (559)	64 (1626)	4 (102)	29 (737)				
			364T		22x72	22 (559)	72 (1829)	4 (102)	33 (838)				
			364TS		22x64	22 (559)	64 (1626)	4 (102)	31 (787)				
			365T		22x72	22 (559)	72 (1829)	4 (102)	34 (864)				
			365TS		22x64	22 (559)	64 (1626)	4 (102)	32 (813)				
			404T		22x72	22 (559)	72 (1829)	4 (102)	38 (965)				
			404TS		22x72	22 (559)	72 (1829)	4 (102)	34 (864)				
			405T*		22x72	22 (559)	72 (1829)	4 (102)	39 (991)				
			405T		22x72	22 (559)	72 (1829)	4 (102)	39 (991)				
			405TS*		22x72	22 (559)	72 (1829)	4 (102)	36 (914)				
			405TS		22x72	22 (559)	72 (1829)	4 (102)	36 (914)				
6" 1621F PF 21	6	8	444T	35.38 (899)	26x84	26 (660)	84 (2134)	4.5 (114)	45 (1143)	11 (279)	10.5 (267)	7 (178)	8.25 (210)
			444TS		26x72	26 (660)	72 (1829)	4.5 (114)	41 (1041)				
			364T		22x72	22 (559)	72 (1829)	4 (102)	33 (838)				
			364TS		22x72	22 (559)	72 (1829)	4 (102)	31 (787)				
			365T		22x72	22 (559)	72 (1829)	4 (102)	34 (864)				
			365TS		22x72	22 (559)	72 (1829)	4 (102)	32 (813)				
			404T		22x72	22 (559)	72 (1829)	4 (102)	38 (965)				
			404TS		22x72	22 (559)	72 (1829)	4 (102)	34 (864)				
			405T		22x72	22 (559)	72 (1829)	4 (102)	39 (991)				
			405TS		22x72	22 (559)	72 (1829)	4 (102)	36 (914)				
			444T		26x84	26 (660)	84 (2134)	4.5 (114)	45 (1143)				
			444TS		26x84	26 (660)	84 (2134)	4.5 (114)	41 (1041)				
			445T		26x84	26 (660)	84 (2134)	4.5 (114)	46 (1168)				
			445TS		26x84	26 (660)	84 (2134)	4.5 (114)	42 (1067)				
447T	26x84	26 (660)	84 (2134)	4.5 (114)	52 (1321)								
447TS	26x84	26 (660)	84 (2134)	4.5 (114)	49 (1245)								

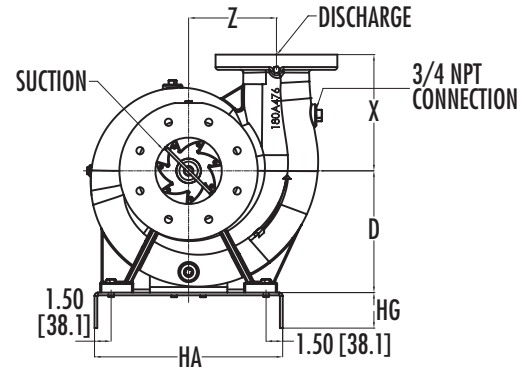
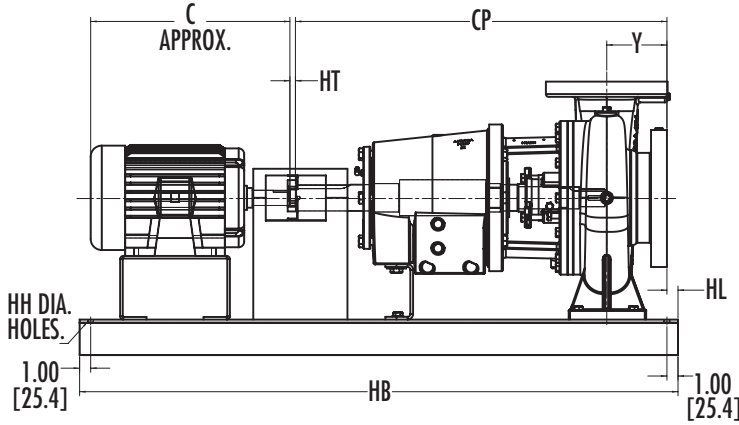
NOTES:

1. Dimensions are approximate.
2. All dimensions are in inches (mm) and may vary $\pm 1/4$ (6).
3. Not for construction purposes unless certified.
4. 125# ANSI suction and discharge flanges are standard. 250# suction and discharge or 125# suction and 250# discharge available as options.

* 3000 RPM 150HP Frame

FAIRBANKS NIJHUIS™ MODEL 1620F PUMPS

ON STANDARD STEEL BASE



Model	Disch.	Suct.	Motor Frame Size	CP	Base Size	HA	HB	HG	C	D	X	Y	Z
2" 1623F PF 3	2	3	215T	27.47 (698)	18x54	18 (457)	54 (1372)	4 (102)	19 (483)	10 (254)	8 (203)	5.5 (140)	6.5 (165)
			254T		18x54	18 (457)	54 (1372)	4 (102)	24 (610)				
			256T		18x54	18 (457)	54 (1372)	4 (102)	25 (635)				
			284T		18x54	18 (457)	54 (1372)	4 (102)	27 (686)				
			284TS		18x54	18 (457)	54 (1372)	4 (102)	25 (635)				
			286T		18x54	18 (457)	54 (1372)	4 (102)	28 (711)				
			286TS		18x54	18 (457)	54 (1372)	4 (102)	26 (660)				
			324T		18x60	18 (457)	60 (1524)	4 (102)	29 (737)				
			324TS		18x60	18 (457)	60 (1524)	4 (102)	28 (711)				
			326T		18x60	18 (457)	60 (1524)	4 (102)	31 (787)				
			326TS		18x60	18 (457)	60 (1524)	4 (102)	29 (737)				
			364T		18x60	18 (457)	60 (1524)	4 (102)	33 (838)				
			364TS		18x60	18 (457)	60 (1524)	4 (102)	31 (787)				
			3" 1623F ⁴ PF 21		3	4	213T	33.5 (851)	18x54				
215T	18x54	18 (457)		54 (1372)			4 (102)		19 (483)				
254T	18x60	18 (457)		60 (1524)			4 (102)		24 (610)				
256T	18x60	18 (457)		60 (1524)			4 (102)		25 (635)				
284T	18x60	18 (457)		60 (1524)			4 (102)		27 (686)				
284TS	18x60	18 (457)		60 (1524)			4 (102)		25 (635)				
286T	18x60	18 (457)		60 (1524)			4 (102)		28 (711)				
286TS	18x60	18 (457)		60 (1524)			4 (102)		26 (660)				
324T	22x64	22 (559)		64 (1626)			4 (102)		29 (737)				
324TS	22x64	22 (559)		64 (1626)			4 (102)		28 (711)				
326T	22x64	22 (559)		64 (1626)			4 (102)		31 (787)				
326TS	22x64	22 (559)		64 (1626)			4 (102)		29 (737)				
364T	22x64	22 (559)		64 (1626)			4 (102)		33 (838)				
364TS	22x64	22 (559)		64 (1626)			4 (102)		31 (787)				
365T	22x64	22 (559)		64 (1626)			4 (102)		34 (864)				
365TS	22x64	22 (559)		64 (1626)			4 (102)		32 (813)				
404T	22x72	22 (559)		72 (1829)			4 (102)		38 (965)				
404TS	22x72	22 (559)		72 (1829)			4 (102)		34 (864)				
405T*	22x72	22 (559)		72 (1829)			4 (102)		39 (991)				
405T	22x72	22 (559)		72 (1829)			4 (102)		39 (991)				
405TS*	22x72	22 (559)		72 (1829)			4 (102)		36 (914)				
405TS	22x72	22 (559)		72 (1829)			4 (102)		36 (914)				
444T	26x72	26 (660)		72 (1829)			4.5 (114)		45 (1143)				
444TS	26x72	26 (660)		72 (1829)			4.5 (114)		41 (1041)				

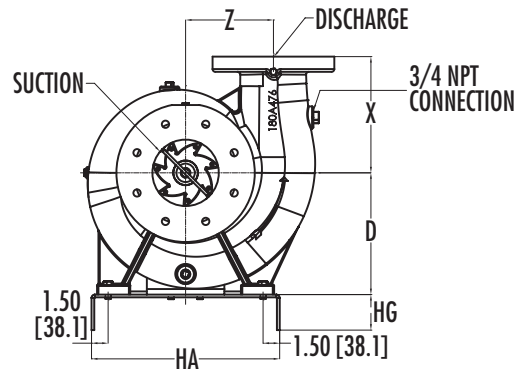
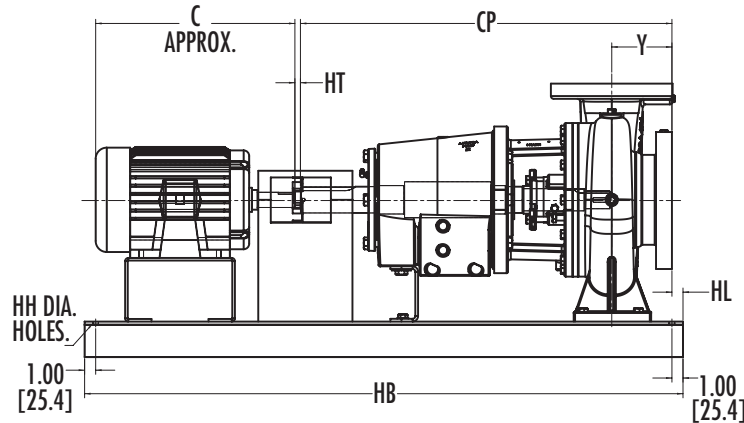
NOTES:

1. Dimensions are approximate.
2. All dimensions are in inches (mm) and may vary ± 1/4 (6).
3. Not for construction purposes unless certified.
4. For 3" 1623F and 3" 1624F pump sizes ANSI 125# suction and 250# discharge flanges are standard, 250# suction and discharge or 125# suction and discharge are available as options. .
5. For all other pump sizes 125# ANSI suction and discharge flanges are standard. 250# suction and discharge or 125# suction and 250# discharge available as options.

* 3000 RPM 150HP Frame

FAIRBANKS NIJHUIS™ MODEL 1620F PUMPS

ON STANDARD STEEL BASE



Model	Disch.	Suct.	Motor Frame Size	CP	Base Size	HA	HB	HG	C	D	X	Y	Z
2 1/2" 1623F PF 3	2.5	3	184T	28.16 (715)	18x54	18 (457)	54 (1372)	4 (102)	15 (381)	10 (254)	9 (229)	6 (152)	8 (203)
			213T		18x54	18 (457)	54 (1372)	4 (102)	18 (457)				
			215T		18x54	18 (457)	54 (1372)	4 (102)	19 (483)				
			254T		18x54	18 (457)	54 (1372)	4 (102)	24 (610)				
			256T		18x54	18 (457)	54 (1372)	4 (102)	25 (635)				
			284T		18x54	18 (457)	54 (1372)	4 (102)	27 (686)				
			284TS		18x54	18 (457)	54 (1372)	4 (102)	25 (635)				
3" 1624F ¹ PF 21	3	4	215T	33.78 (858)	18x54	18 (457)	54 (1372)	4 (102)	19 (483)	10 (254)	9.5 (241)	5.62 (143)	8 (203)
			254T		18x60	18 (457)	60 (1524)	4 (102)	24 (610)				
			256T		18x60	18 (457)	60 (1524)	4 (102)	25 (635)				
			284T		18x60	18 (457)	60 (1524)	4 (102)	27 (686)				
			284TS		18x60	18 (457)	60 (1524)	4 (102)	25 (635)				
			286T		18x60	18 (457)	60 (1524)	4 (102)	28 (711)				
			286TS		18x60	18 (457)	60 (1524)	4 (102)	26 (660)				
			324T		22x64	22 (559)	64 (1626)	4 (102)	29 (737)				
			324TS		22x64	22 (559)	64 (1626)	4 (102)	28 (711)				
			326T		22x64	22 (559)	64 (1626)	4 (102)	31 (787)				
			326TS		22x64	22 (559)	64 (1626)	4 (102)	29 (737)				
			364T		22x64	22 (559)	64 (1626)	4 (102)	33 (838)				
			364TS		22x64	22 (559)	64 (1626)	4 (102)	31 (787)				
			365T		22x64	22 (559)	64 (1626)	4 (102)	34 (864)				
			365TS		22x64	22 (559)	64 (1626)	4 (102)	32 (813)				
			404T		22x72	22 (559)	72 (1829)	4 (102)	38 (965)				
			404TS		22x72	22 (559)	72 (1829)	4 (102)	34 (864)				
			405T*		22x72	22 (559)	72 (1829)	4 (102)	39 (991)				
			405T		22x72	22 (559)	72 (1829)	4 (102)	39 (991)				
			405TS*		22x72	22 (559)	72 (1829)	4 (102)	36 (914)				
			405TS		22x72	22 (559)	72 (1829)	4 (102)	36 (914)				
			444T		26x72	26 (660)	72 (1829)	4.5 (114)	45 (1143)				
			444TS		26x72	26 (660)	72 (1829)	4.5 (114)	41 (1041)				
445T	26x84	26 (660)	84 (2134)	4.5 (114)	46 (1168)								
445TS	26x72	26 (660)	72 (1829)	4.5 (114)	42 (1067)								
										11 (279)			

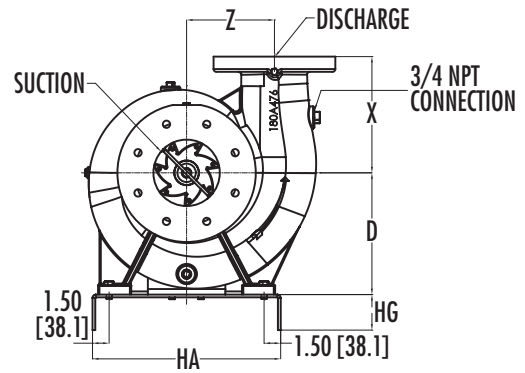
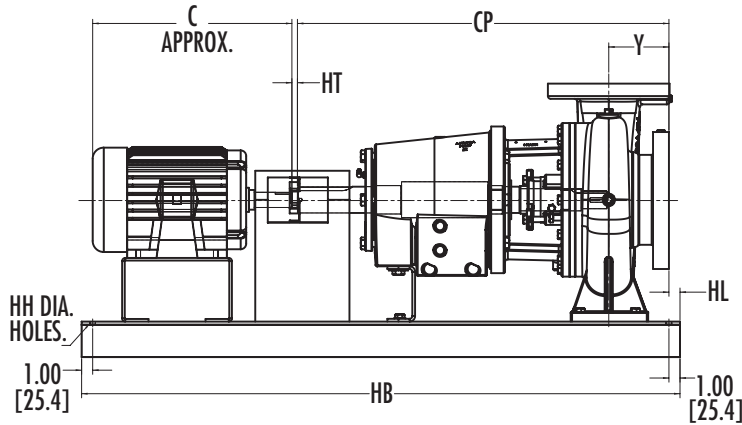
NOTES:

1. Dimensions are approximate.
2. All dimensions are in inches (mm) and may vary $\pm 1/4$ (6).
3. Not for construction purposes unless certified.
4. For 3" 1623F and 3" 1624F pump sizes ANSI 125# suction and 250# discharge flanges are standard, 250# suction and discharge or 125# suction and discharge are available as options. .
5. For all other pump sizes 125# ANSI suction and discharge flanges are standard. 250# suction and discharge or 125# suction and 250# discharge available as options.

* 3000 RPM 150HP Frame

FAIRBANKS NIJHUIS™ MODEL 1620F PUMPS

ON STANDARD STEEL BASE



Model	Disch.	Suct.	Motor Frame Size	CP	Base Size	HA	HB	HG	C	D	X	Y	Z
6" 1623F PF 21	6	8	286T	34.72 (882)	26x72	26 (660)	72 (1829)	4.5 (114)	28 (711)	13 (330)	13.38 (340)	6.5 (165)	9.3125 (237)
			286TS		26x72	26 (660)	72 (1829)	4.5 (114)	26 (660)				
			324T		26x72	26 (660)	72 (1829)	4.5 (114)	29 (737)				
			324TS		26x72	26 (660)	72 (1829)	4.5 (114)	28 (711)				
			326T		26x72	26 (660)	72 (1829)	4.5 (114)	31 (787)				
			326TS		26x72	26 (660)	72 (1829)	4.5 (114)	29 (737)				
			364T		26x72	26 (660)	72 (1829)	4.5 (114)	33 (838)				
			364TS		26x72	26 (660)	72 (1829)	4.5 (114)	31 (787)				
			365T		26x72	26 (660)	72 (1829)	4.5 (114)	34 (864)				
			365TS		26x72	26 (660)	72 (1829)	4.5 (114)	32 (813)				
			404T		26x72	26 (660)	72 (1829)	4.5 (114)	38 (965)				
			404TS		26x72	26 (660)	72 (1829)	4.5 (114)	34 (864)				
			405T		26x72	26 (660)	72 (1829)	4.5 (114)	39 (991)				
			405TS		26x72	26 (660)	72 (1829)	4.5 (114)	36 (914)				
			444T		26x84	26 (660)	84 (2134)	4.5 (114)	45 (1143)				
444TS	26x72	26 (660)	72 (1829)	4.5 (114)	41 (1041)								
8" 1622F PF 21	8	10	364T	36.06 (916)	26x72	26 (660)	72 (1829)	4.5 (114)	33 (838)	15 (381)	14 (356)	8 (203)	11 (279)
			364TS		26x72	26 (660)	72 (1829)	4.5 (114)	31 (787)				
			365T		26x72	26 (660)	72 (1829)	4.5 (114)	34 (864)				
			365TS		26x72	26 (660)	72 (1829)	4.5 (114)	32 (813)				
			404T		26x72	26 (660)	72 (1829)	4.5 (114)	38 (965)				
			404TS		26x72	26 (660)	72 (1829)	4.5 (114)	34 (864)				
			405T		26x72	26 (660)	72 (1829)	4.5 (114)	39 (991)				
			405TS		26x72	26 (660)	72 (1829)	4.5 (114)	36 (914)				
			444T		26x84	26 (660)	84 (2134)	4.5 (114)	45 (1143)				
			444TS		26x84	26 (660)	84 (2134)	4.5 (114)	41 (1041)				

NOTES:

1. Dimensions are approximate.
2. All dimensions are in inches (mm) and may vary ± 1/4 (6).
3. Not for construction purposes unless certified.
4. 125# ANSI suction and discharge flanges are standard. 250# suction and discharge or 125# suction and 250# discharge available as options.

* 3000 RPM 150HP Frame

FAIRBANKS NIJHUIS™ MODEL 1620F PUMPS

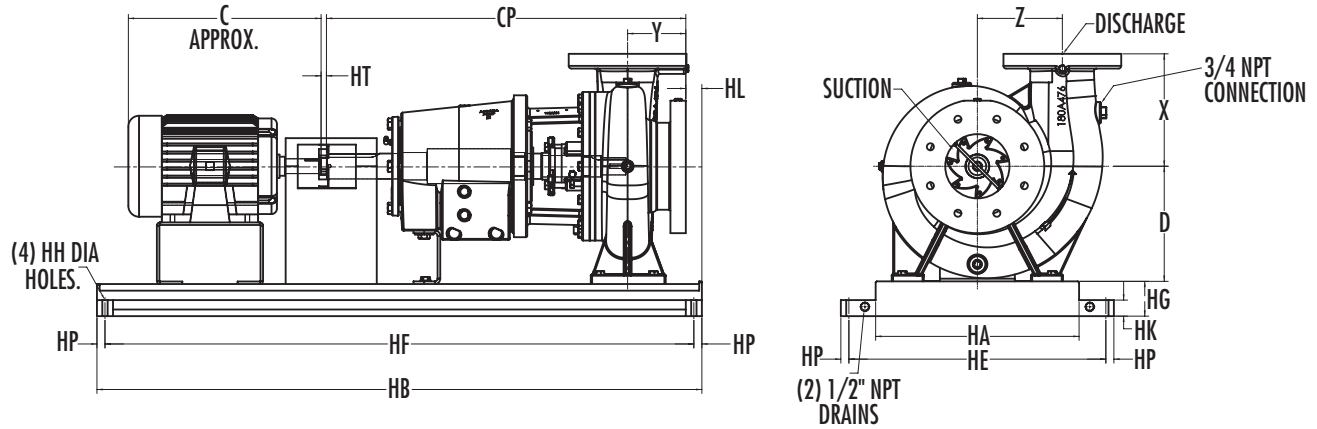
ON STEEL DRIP RIM BASE

Section **911.5** Page **207**

Date **April 15, 2014**

Supersedes Section 911.5 Page 207

Dated May 2013



Model	Disch.	Suct.	Motor Frame Size	CP	Base Size	HA	HB	HE	HF	HG	HH	HK	HP	C	D	X	Y	Z
2 1/2" 1621F PF 3	2.5	3	184T	26.38 (670)	14x48	14 (356)	48.5 (1232)	19 (483)	47 (1194)	3 (76)	1 (25)	1.5 (38)	0.75 (19)	15 (381)	7 (178)	6 (152)	4.25 (108)	4.69 (119)
			213T		14x48	14 (356)	48.5 (1232)	19 (483)	47 (1194)	3 (76)	1 (25)	1.5 (38)		18 (457)				
			215T		14x48	14 (356)	48.5 (1232)	19 (483)	47 (1194)	3 (76)	1 (25)	1.5 (38)		19 (483)				
			254T		14x56	14 (356)	56.5 (1435)	19 (483)	55 (1397)	3 (76)	1 (25)	1.5 (38)		24 (610)				
			256T		14x56	14 (356)	56.5 (1435)	19 (483)	55 (1397)	3 (76)	1 (25)	1.5 (38)		25 (635)				
			284T		14x56	14 (356)	56.5 (1435)	19 (483)	55 (1397)	3 (76)	1 (25)	1.5 (38)		27 (686)				
			284TS		14x56	14 (356)	56.5 (1435)	19 (483)	55 (1397)	3 (76)	1 (25)	1.5 (38)		25 (635)				
4" 1621F PF 3	4	5	215T	27.16 (690)	14x48	14 (356)	48.5 (1232)	19 (483)	47 (1194)	3 (76)	1 (25)	1.5 (38)	0.75 (19)	19 (483)	8 (203)	7.5 (190)	4.94 (125)	5.75 (146)
			254T		14x56	14 (356)	56.5 (1435)	19 (483)	55 (1397)	3 (76)	1 (25)	1.5 (38)		24 (610)				
			256T		14x56	14 (356)	56.5 (1435)	19 (483)	55 (1397)	3 (76)	1 (25)	1.5 (38)		25 (635)				
			284T		18x54	18 (457)	54.5 (1384)	25.13 (638)	52.88 (1343)	4 (102)	1.13 (29)	2 (51)		27 (686)				
			284TS		18x54	18 (457)	54.5 (1384)	25.13 (638)	52.88 (1343)	4 (102)	1.13 (29)	2 (51)		25 (635)				
			286T		18x54	18 (457)	54.5 (1384)	25.13 (638)	52.88 (1343)	4 (102)	1.13 (29)	2 (51)		28 (711)				
			286TS		18x54	18 (457)	54.5 (1384)	25.13 (638)	52.88 (1343)	4 (102)	1.13 (29)	2 (51)		26 (660)				
			324T		18x64	18 (457)	64.5 (1638)	25.13 (638)	62.88 (1597)	4 (102)	1.13 (29)	2 (51)		29 (737)				
			324TS		18x64	18 (457)	64.5 (1638)	25.13 (638)	62.88 (1597)	4 (102)	1.13 (29)	2 (51)		28 (711)				
			326T		18x64	18 (457)	64.5 (1638)	25.13 (638)	62.88 (1597)	4 (102)	1.13 (29)	2 (51)		31 (787)				
			326TS		18x64	18 (457)	64.5 (1638)	25.13 (638)	62.88 (1597)	4 (102)	1.13 (29)	2 (51)		29 (737)				
4" 1622F PF 21	4	5	256T	33.27 (845)	18x64	18 (457)	64.5 (1638)	25.13 (638)	62.88 (1597)	4 (102)	1.13 (29)	2 (51)	0.81 (21)	25 (635)	10 (254)	8 (203)	5 (127)	7.01 (178)
			284T		18x64	18 (457)	64.5 (1638)	25.13 (638)	62.88 (1597)	4 (102)	1.13 (29)	2 (51)		27 (686)				
			284TS		18x64	18 (457)	64.5 (1638)	25.13 (638)	62.88 (1597)	4 (102)	1.13 (29)	2 (51)		25 (635)				
			286T		18x64	18 (457)	64.5 (1638)	25.13 (638)	62.88 (1597)	4 (102)	1.13 (29)	2 (51)		28 (711)				
			286TS		18x64	18 (457)	64.5 (1638)	25.13 (638)	62.88 (1597)	4 (102)	1.13 (29)	2 (51)		26 (660)				
			324T		22x64	22 (559)	64.5 (1638)	29.13 (740)	62.88 (1597)	4.5 (114)	1.13 (29)	2 (51)		29 (737)				
			324TS		22x64	22 (559)	64.5 (1638)	29.13 (740)	62.88 (1597)	4.5 (114)	1.13 (29)	2 (51)		28 (711)				
			326T		22x64	22 (559)	64.5 (1638)	29.13 (740)	62.88 (1597)	4.5 (114)	1.13 (29)	2 (51)		31 (787)				
			326TS		22x64	22 (559)	64.5 (1638)	29.13 (740)	62.88 (1597)	4.5 (114)	1.13 (29)	2 (51)		29 (737)				
			364T		22x64	22 (559)	64.5 (1638)	29.13 (740)	62.88 (1597)	4.5 (114)	1.13 (29)	2 (51)		33 (838)				
			364TS		22x64	22 (559)	64.5 (1638)	29.13 (740)	62.88 (1597)	4.5 (114)	1.13 (29)	2 (51)		31 (787)				
			365T		22x64	22 (559)	64.5 (1638)	29.13 (740)	62.88 (1597)	4.5 (114)	1.13 (29)	2 (51)		34 (864)				
			365TS		22x64	22 (559)	64.5 (1638)	29.13 (740)	62.88 (1597)	4.5 (114)	1.13 (29)	2 (51)		32 (813)				
			404T		22x74	22 (559)	74.5 (1892)	29.13 (740)	72.88 (1851)	4.5 (114)	1.13 (29)	2 (51)		38 (965)				
			404TS		22x74	22 (559)	74.5 (1892)	29.13 (740)	72.88 (1851)	4.5 (114)	1.13 (29)	2 (51)		34 (864)				
			405T*		22x74	22 (559)	74.5 (1892)	29.13 (740)	72.88 (1851)	4.5 (114)	1.13 (29)	2 (51)		39 (991)				
			405T		22x74	22 (559)	74.5 (1892)	29.13 (740)	72.88 (1851)	4.5 (114)	1.13 (29)	2 (51)		39 (991)				
			405TS*		22x74	22 (559)	74.5 (1892)	29.13 (740)	72.88 (1851)	4.5 (114)	1.13 (29)	2 (51)		36 (914)				
			405TS		22x74	22 (559)	74.5 (1892)	29.13 (740)	72.88 (1851)	4.5 (114)	1.13 (29)	2 (51)		36 (914)				
			444T		26x72	26 (660)	72.5 (1842)	33.13 (842)	70.88 (1800)	4.5 (114)	1.13 (29)	2 (51)		45 (1143)				
			444TS		26x72	26 (660)	72.5 (1842)	33.13 (842)	70.88 (1800)	4.5 (114)	1.13 (29)	2 (51)		41 (1041)				

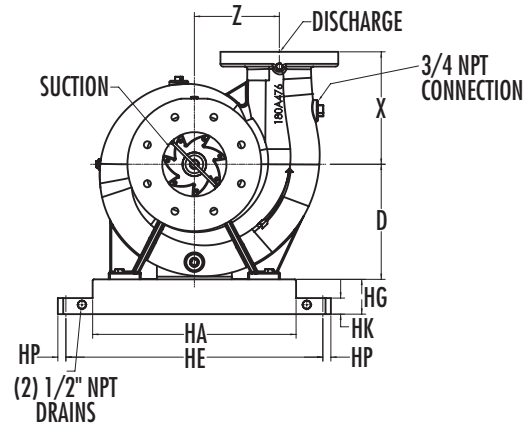
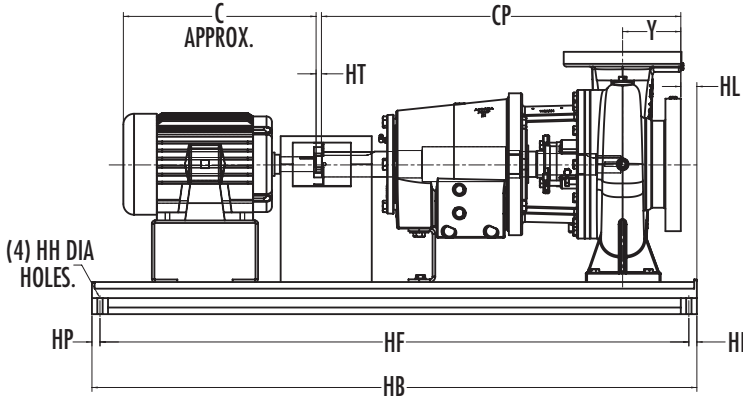
NOTES:

1. Dimensions are approximate.
2. All dimensions are in inches (mm) and may vary $\pm 1/4$ (6).
3. Not for construction purposes unless certified.
4. 125# ANSI suction and discharge flanges are standard. 250# suction and discharge or 125# suction and 250# discharge available as options.

* 3000 RPM 150HP Frame

FAIRBANKS NIJHUIS™ MODEL 1620F PUMPS

ON STEEL DRIP RIM BASE



Model	Disch.	Suct.	Motor Frame Size	CP	Base Size	HA	HB	HE	HF	HG	HH	HK	HP	C	D	X	Y	Z
5" 1622F PF 21	5	6	284T	34.44 (875)	22x64	22 (559)	64.5 (1638)	29.13 (740)	62.88 (1597)	4.5 (114)	1.13 (29)	2 (51)	0.81 (21)	27 (686)	11 (279)	10 (254)	6 (152)	7.5 (190)
			284TS		22x64	22 (559)	64.5 (1638)	29.13 (740)	62.88 (1597)	4.5 (114)	1.13 (29)	2 (51)		25 (635)				
			286T		22x64	22 (559)	64.5 (1638)	29.13 (740)	62.88 (1597)	4.5 (114)	1.13 (29)	2 (51)		28 (711)				
			286TS		22x64	22 (559)	64.5 (1638)	29.13 (740)	62.88 (1597)	4.5 (114)	1.13 (29)	2 (51)		26 (660)				
			324T		22x64	22 (559)	64.5 (1638)	29.13 (740)	62.88 (1597)	4.5 (114)	1.13 (29)	2 (51)		29 (737)				
			324TS		22x64	22 (559)	64.5 (1638)	29.13 (740)	62.88 (1597)	4.5 (114)	1.13 (29)	2 (51)		28 (711)				
			326T		22x64	22 (559)	64.5 (1638)	29.13 (740)	62.88 (1597)	4.5 (114)	1.13 (29)	2 (51)		31 (787)				
			326TS		22x64	22 (559)	64.5 (1638)	29.13 (740)	62.88 (1597)	4.5 (114)	1.13 (29)	2 (51)		29 (737)				
			364T		22x74	22 (559)	74.5 (1892)	29.13 (740)	72.88 (1851)	4.5 (114)	1.13 (29)	2 (51)		33 (838)				
			364TS		22x64	22 (559)	64.5 (1638)	29.13 (740)	62.88 (1597)	4.5 (114)	1.13 (29)	2 (51)		31 (787)				
			365T		22x74	22 (559)	74.5 (1892)	29.13 (740)	72.88 (1851)	4.5 (114)	1.13 (29)	2 (51)		34 (864)				
			365TS		22x64	22 (559)	64.5 (1638)	29.13 (740)	62.88 (1597)	4.5 (114)	1.13 (29)	2 (51)		32 (813)				
			404T		22x74	22 (559)	74.5 (1892)	29.13 (740)	72.88 (1851)	4.5 (114)	1.13 (29)	2 (51)		38 (965)				
			404TS		22x74	22 (559)	74.5 (1892)	29.13 (740)	72.88 (1851)	4.5 (114)	1.13 (29)	2 (51)		34 (864)				
			405T*		22x74	22 (559)	74.5 (1892)	29.13 (740)	72.88 (1851)	4.5 (114)	1.13 (29)	2 (51)		39 (991)				
			405T		22x74	22 (559)	74.5 (1892)	29.13 (740)	72.88 (1851)	4.5 (114)	1.13 (29)	2 (51)		39 (991)				
			405TS*		22x74	22 (559)	74.5 (1892)	29.13 (740)	72.88 (1851)	4.5 (114)	1.13 (29)	2 (51)		36 (914)				
			405TS		22x74	22 (559)	74.5 (1892)	29.13 (740)	72.88 (1851)	4.5 (114)	1.13 (29)	2 (51)		36 (914)				
			444T		26x84	26 (660)	84.5 (2146)	33.13 (842)	82.88 (2105)	4.5 (114)	1.13 (29)	2 (51)		45 (1143)				
			444TS		26x72	26 (660)	72.5 (1842)	33.13 (842)	70.88 (1800)	4.5 (114)	1.13 (29)	2 (51)		41 (1041)				
6" 1621F PF 21	6	8	364T	35.38 (899)	22x74	22 (559)	74.5 (1892)	29.13 (740)	72.88 (1851)	4.5 (114)	1.13 (29)	2 (51)	0.81 (21)	33 (838)	11 (279)	10.5 (267)	7 (178)	8.25 (210)
			364TS		22x74	22 (559)	74.5 (1892)	29.13 (740)	72.88 (1851)	4.5 (114)	1.13 (29)	2 (51)		31 (787)				
			365T		22x74	22 (559)	74.5 (1892)	29.13 (740)	72.88 (1851)	4.5 (114)	1.13 (29)	2 (51)		34 (864)				
			365TS		22x74	22 (559)	74.5 (1892)	29.13 (740)	72.88 (1851)	4.5 (114)	1.13 (29)	2 (51)		32 (813)				
			404T		22x74	22 (559)	74.5 (1892)	29.13 (740)	72.88 (1851)	4.5 (114)	1.13 (29)	2 (51)		38 (965)				
			404TS		22x74	22 (559)	74.5 (1892)	29.13 (740)	72.88 (1851)	4.5 (114)	1.13 (29)	2 (51)		34 (864)				
			405T		22x74	22 (559)	74.5 (1892)	29.13 (740)	72.88 (1851)	4.5 (114)	1.13 (29)	2 (51)		39 (991)				
			405TS		22x74	22 (559)	74.5 (1892)	29.13 (740)	72.88 (1851)	4.5 (114)	1.13 (29)	2 (51)		36 (914)				
			444T		26x84	26 (660)	84.5 (2146)	33.13 (842)	82.88 (2105)	4.5 (114)	1.13 (29)	2 (51)		45 (1143)				
			444TS		26x84	26 (660)	84.5 (2146)	33.13 (842)	82.88 (2105)	4.5 (114)	1.13 (29)	2 (51)		41 (1041)				
			445T		26x84	26 (660)	84.5 (2146)	33.13 (842)	82.88 (2105)	4.5 (114)	1.13 (29)	2 (51)		46 (1168)				
			445TS		26x84	26 (660)	84.5 (2146)	33.13 (842)	82.88 (2105)	4.5 (114)	1.13 (29)	2 (51)		42 (1067)				
			447T		26x84	26 (660)	84.5 (2146)	33.13 (842)	82.88 (2105)	4.5 (114)	1.13 (29)	2 (51)		52 (1321)				
			447TS		26x84	26 (660)	84.5 (2146)	33.13 (842)	82.88 (2105)	4.5 (114)	1.13 (29)	2 (51)		49 (1245)				

NOTES:

1. Dimensions are approximate.
2. All dimensions are in inches (mm) and may vary ± 1/4 (6).
3. Not for construction purposes unless certified.
4. 125# ANSI suction and discharge flanges are standard. 250# suction and discharge or 125# suction and 250# discharge available as options.

* 3000 RPM 150HP Frame

FAIRBANKS NIJHUIS™ MODEL 1620F PUMPS

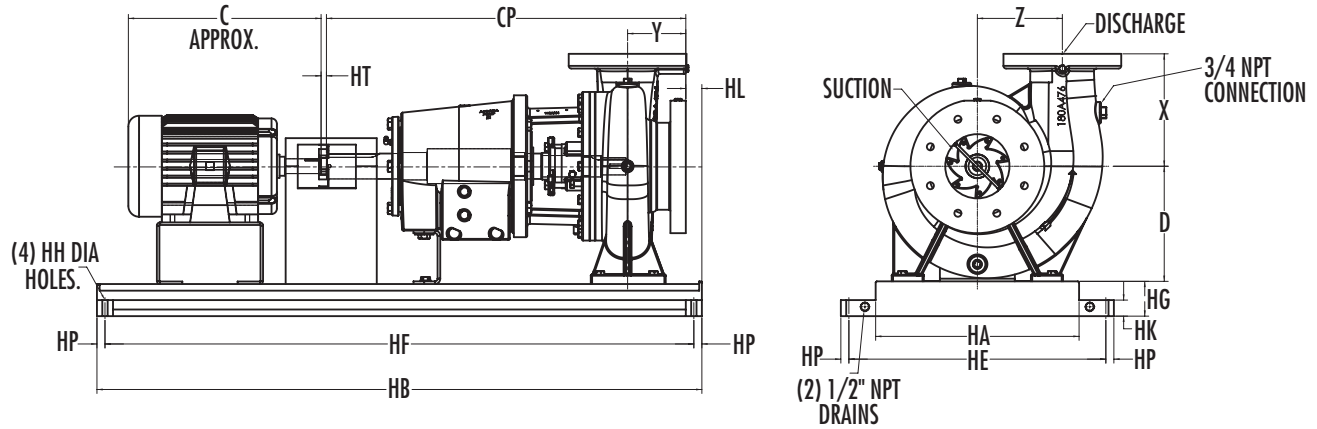
ON STEEL DRIP RIM BASE

Section **911.5** Page **209**

Date **April 15, 2014**

Supersedes Section 911.5 Page 209

Dated May 2013



Model	Disch.	Suct.	Motor Frame Size	CP	Base Size	HA	HB	HE	HF	HG	HH	HK	HP	C	D	X	Y	Z
2" 1623F PF 3	2	3	215T	27.47 (698)	18x54	18 (457)	54.5 (1384)	25.13 (638)	52.88 (1343)	4 (102)	1.13 (29)	2 (51)	0.81 (21)	19 (483)	10 (254)	8 (203)	5.5 (140)	6.5 (165)
			254T		18x54	18 (457)	54.5 (1384)	25.13 (638)	52.88 (1343)	4 (102)	1.13 (29)	2 (51)		24 (610)				
			256T		18x54	18 (457)	54.5 (1384)	25.13 (638)	52.88 (1343)	4 (102)	1.13 (29)	2 (51)		25 (635)				
			284T		18x54	18 (457)	54.5 (1384)	25.13 (638)	52.88 (1343)	4 (102)	1.13 (29)	2 (51)		27 (686)				
			284TS		18x54	18 (457)	54.5 (1384)	25.13 (638)	52.88 (1343)	4 (102)	1.13 (29)	2 (51)		25 (635)				
			286T		18x54	18 (457)	54.5 (1384)	25.13 (638)	52.88 (1343)	4 (102)	1.13 (29)	2 (51)		28 (711)				
			286TS		18x54	18 (457)	54.5 (1384)	25.13 (638)	52.88 (1343)	4 (102)	1.13 (29)	2 (51)		26 (660)				
			324T		18x64	18 (457)	64.5 (1638)	25.13 (638)	62.88 (1597)	4 (102)	1.13 (29)	2 (51)		29 (737)				
			324TS		18x64	18 (457)	64.5 (1638)	25.13 (638)	62.88 (1597)	4 (102)	1.13 (29)	2 (51)		28 (711)				
			326T		18x64	18 (457)	64.5 (1638)	25.13 (638)	62.88 (1597)	4 (102)	1.13 (29)	2 (51)		31 (787)				
			326TS		18x64	18 (457)	64.5 (1638)	25.13 (638)	62.88 (1597)	4 (102)	1.13 (29)	2 (51)		29 (737)				
			364T		18x64	18 (457)	64.5 (1638)	25.13 (638)	62.88 (1597)	4 (102)	1.13 (29)	2 (51)		33 (838)				
			364TS		18x64	18 (457)	64.5 (1638)	25.13 (638)	62.88 (1597)	4 (102)	1.13 (29)	2 (51)		31 (787)				
			3" 1623F ⁴ PF 21		3	4	213T	33.5 (851)	18x54	18 (457)	54.5 (1384)	25.13 (638)		52.88 (1343)				
215T	18x54	18 (457)		54.5 (1384)			25.13 (638)		52.88 (1343)	4 (102)	1.13 (29)	2 (51)	19 (483)					
254T	18x64	18 (457)		64.5 (1638)			25.13 (638)		62.88 (1597)	4 (102)	1.13 (29)	2 (51)	24 (610)					
256T	18x64	18 (457)		64.5 (1638)			25.13 (638)		62.88 (1597)	4 (102)	1.13 (29)	2 (51)	25 (635)					
284T	18x64	18 (457)		64.5 (1638)			25.13 (638)		62.88 (1597)	4 (102)	1.13 (29)	2 (51)	27 (686)					
284TS	18x64	18 (457)		64.5 (1638)			25.13 (638)		62.88 (1597)	4 (102)	1.13 (29)	2 (51)	25 (635)					
286T	18x64	18 (457)		64.5 (1638)			25.13 (638)		62.88 (1597)	4 (102)	1.13 (29)	2 (51)	28 (711)					
286TS	18x64	18 (457)		64.5 (1638)			25.13 (638)		62.88 (1597)	4 (102)	1.13 (29)	2 (51)	26 (660)					
324T	22x64	22 (559)		64.5 (1638)			29.13 (740)		62.88 (1597)	4.5 (114)	1.13 (29)	2 (51)	29 (737)					
324TS	22x64	22 (559)		64.5 (1638)			29.13 (740)		62.88 (1597)	4.5 (114)	1.13 (29)	2 (51)	28 (711)					
326T	22x64	22 (559)		64.5 (1638)			29.13 (740)		62.88 (1597)	4.5 (114)	1.13 (29)	2 (51)	31 (787)					
326TS	22x64	22 (559)		64.5 (1638)			29.13 (740)		62.88 (1597)	4.5 (114)	1.13 (29)	2 (51)	29 (737)					
364T	22x64	22 (559)		64.5 (1638)			29.13 (740)		62.88 (1597)	4.5 (114)	1.13 (29)	2 (51)	33 (838)					
364TS	22x64	22 (559)		64.5 (1638)			29.13 (740)		62.88 (1597)	4.5 (114)	1.13 (29)	2 (51)	31 (787)					
365T	22x64	22 (559)		64.5 (1638)			29.13 (740)		62.88 (1597)	4.5 (114)	1.13 (29)	2 (51)	34 (864)					
365TS	22x64	22 (559)		64.5 (1638)			29.13 (740)		62.88 (1597)	4.5 (114)	1.13 (29)	2 (51)	32 (813)					
404T	22x74	22 (559)		74.5 (1892)			29.13 (740)		72.88 (1851)	4.5 (114)	1.13 (29)	2 (51)	38 (965)					
404TS	22x74	22 (559)		74.5 (1892)			29.13 (740)		72.88 (1851)	4.5 (114)	1.13 (29)	2 (51)	34 (864)					
405T*	22x74	22 (559)		74.5 (1892)			29.13 (740)		72.88 (1851)	4.5 (114)	1.13 (29)	2 (51)	39 (991)					
405T	22x74	22 (559)		74.5 (1892)			29.13 (740)		72.88 (1851)	4.5 (114)	1.13 (29)	2 (51)	39 (991)					
405TS*	22x74	22 (559)		74.5 (1892)			29.13 (740)		72.88 (1851)	4.5 (114)	1.13 (29)	2 (51)	36 (914)					
405TS	22x74	22 (559)		74.5 (1892)			29.13 (740)		72.88 (1851)	4.5 (114)	1.13 (29)	2 (51)	36 (914)					
444T	26x72	26 (660)		72.5 (1842)			33.13 (842)		70.88 (1800)	4.5 (114)	1.13 (29)	2 (51)	45 (1143)					
444TS	26x72	26 (660)		72.5 (1842)			33.13 (842)		70.88 (1800)	4.5 (114)	1.13 (29)	2 (51)	41 (1041)					

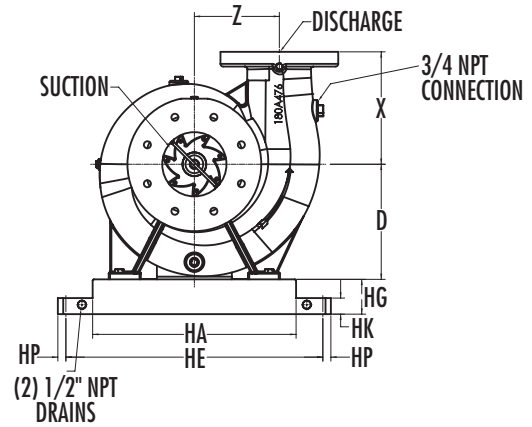
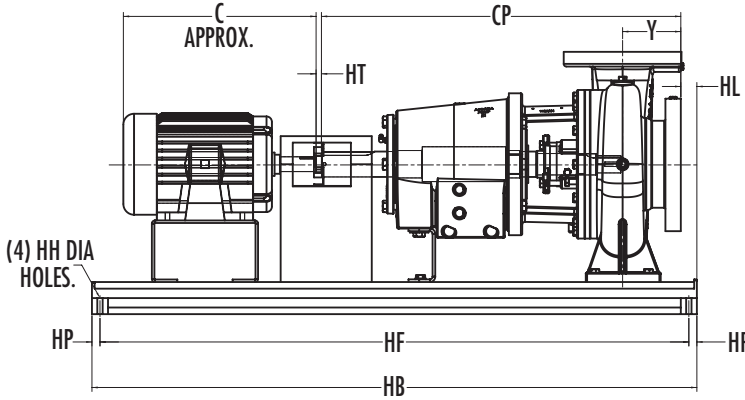
NOTES:

1. Dimensions are approximate.
2. All dimensions are in inches (mm) and may vary $\pm 1/4$ (6).
3. Not for construction purposes unless certified.
4. For 3" 1623F and 3" 1624F pump sizes ANSI 125# suction and 250# discharge flanges are standard, 250# suction and discharge or 125# suction and discharge are available as options. .
5. For all other pump sizes 125# ANSI suction and discharge flanges are standard. 250# suction and discharge or 125# suction and 250# discharge available as options.

* 3000 RPM 150HP Frame

FAIRBANKS NIJHUIS™ MODEL 1620F PUMPS

ON STEEL DRIP RIM BASE



Model	Disch.	Suct.	Motor Frame Size	CP	Base Size	HA	HB	HE	HF	HG	HH	HK	HP	C	D	X	Y	Z
2 1/2" 1623F PF 3	2.5	3	184T	28.16 (715)	18x54	18 (457)	54.5 (1384)	25.13 (638)	52.88 (1343)	4 (102)	1.13 (29)	2 (51)	0.81 (21)	15 (381)	10 (254)	9 (229)	6 (152)	8 (203)
			213T		18x54	18 (457)	54.5 (1384)	25.13 (638)	52.88 (1343)	4 (102)	1.13 (29)	2 (51)		18 (457)				
			215T		18x54	18 (457)	54.5 (1384)	25.13 (638)	52.88 (1343)	4 (102)	1.13 (29)	2 (51)		19 (483)				
			254T		18x54	18 (457)	54.5 (1384)	25.13 (638)	52.88 (1343)	4 (102)	1.13 (29)	2 (51)		24 (610)				
			256T		18x54	18 (457)	54.5 (1384)	25.13 (638)	52.88 (1343)	4 (102)	1.13 (29)	2 (51)		25 (635)				
			284T		18x54	18 (457)	54.5 (1384)	25.13 (638)	52.88 (1343)	4 (102)	1.13 (29)	2 (51)		27 (686)				
			284TS		18x54	18 (457)	54.5 (1384)	25.13 (638)	52.88 (1343)	4 (102)	1.13 (29)	2 (51)		25 (635)				
3" 1624F ⁴ PF 21	3	4	215T	33.78 (858)	18x54	18 (457)	54.5 (1384)	25.13 (638)	52.88 (1343)	4 (102)	1.13 (29)	2 (51)	0.81 (21)	19 (483)	10 (254)	9.5 (241)	5.62 (143)	8 (203)
			254T		18x64	18 (457)	64.5 (1638)	25.13 (638)	62.88 (1597)	4 (102)	1.13 (29)	2 (51)		24 (610)				
			256T		18x64	18 (457)	64.5 (1638)	25.13 (638)	62.88 (1597)	4 (102)	1.13 (29)	2 (51)		25 (635)				
			284T		18x64	18 (457)	64.5 (1638)	25.13 (638)	62.88 (1597)	4 (102)	1.13 (29)	2 (51)		27 (686)				
			284TS		18x64	18 (457)	64.5 (1638)	25.13 (638)	62.88 (1597)	4 (102)	1.13 (29)	2 (51)		25 (635)				
			286T		18x64	18 (457)	64.5 (1638)	25.13 (638)	62.88 (1597)	4 (102)	1.13 (29)	2 (51)		28 (711)				
			286TS		18x64	18 (457)	64.5 (1638)	25.13 (638)	62.88 (1597)	4 (102)	1.13 (29)	2 (51)		26 (660)				
			324T		22x64	22 (559)	64.5 (1638)	29.13 (740)	62.88 (1597)	4.5 (114)	1.13 (29)	2 (51)		29 (737)				
			324TS		22x64	22 (559)	64.5 (1638)	29.13 (740)	62.88 (1597)	4.5 (114)	1.13 (29)	2 (51)		28 (711)				
			326T		22x64	22 (559)	64.5 (1638)	29.13 (740)	62.88 (1597)	4.5 (114)	1.13 (29)	2 (51)		31 (787)				
			326TS		22x64	22 (559)	64.5 (1638)	29.13 (740)	62.88 (1597)	4.5 (114)	1.13 (29)	2 (51)		29 (737)				
			364T		22x64	22 (559)	64.5 (1638)	29.13 (740)	62.88 (1597)	4.5 (114)	1.13 (29)	2 (51)		33 (838)				
			364TS		22x64	22 (559)	64.5 (1638)	29.13 (740)	62.88 (1597)	4.5 (114)	1.13 (29)	2 (51)		31 (787)				
			365T		22x64	22 (559)	64.5 (1638)	29.13 (740)	62.88 (1597)	4.5 (114)	1.13 (29)	2 (51)		34 (864)				
			365TS		22x64	22 (559)	64.5 (1638)	29.13 (740)	62.88 (1597)	4.5 (114)	1.13 (29)	2 (51)		32 (813)				
			404T		22x74	22 (559)	74.5 (1892)	29.13 (740)	72.88 (1851)	4.5 (114)	1.13 (29)	2 (51)		38 (965)				
			404TS		22x74	22 (559)	74.5 (1892)	29.13 (740)	72.88 (1851)	4.5 (114)	1.13 (29)	2 (51)		34 (864)				
			405T*		22x74	22 (559)	74.5 (1892)	29.13 (740)	72.88 (1851)	4.5 (114)	1.13 (29)	2 (51)		39 (991)				
			405T		22x74	22 (559)	74.5 (1892)	29.13 (740)	72.88 (1851)	4.5 (114)	1.13 (29)	2 (51)		39 (991)				
			405TS*		22x74	22 (559)	74.5 (1892)	29.13 (740)	72.88 (1851)	4.5 (114)	1.13 (29)	2 (51)		36 (914)				
			405TS		22x74	22 (559)	74.5 (1892)	29.13 (740)	72.88 (1851)	4.5 (114)	1.13 (29)	2 (51)		36 (914)				
			444T		26x72	26 (660)	72.5 (1842)	33.13 (842)	70.88 (1800)	4.5 (114)	1.13 (29)	2 (51)		45 (1143)				
			444TS		26x72	26 (660)	72.5 (1842)	33.13 (842)	70.88 (1800)	4.5 (114)	1.13 (29)	2 (51)		41 (1041)				
445T	26x84	26 (660)	84.5 (2146)	33.13 (842)	82.88 (2105)	4.5 (114)	1.13 (29)	2 (51)	46 (1168)									
445TS	26x72	26 (660)	72.5 (1842)	33.13 (842)	70.88 (1800)	4.5 (114)	1.13 (29)	2 (51)	42 (1067)									

NOTES:

1. Dimensions are approximate.
2. All dimensions are in inches (mm) and may vary ± 1/4 (6).
3. Not for construction purposes unless certified.
4. For 3" 1623F and 3" 1624F pump sizes ANSI 125# suction and 250# discharge flanges are standard, 250# suction and discharge or 125# suction and discharge are available as options.
5. For all other pump sizes 125# ANSI suction and discharge flanges are standard. 250# suction and discharge or 125# suction and 250# discharge available as options.

* 3000 RPM 150HP Frame

FAIRBANKS NIJHUIS™ MODEL 1620F PUMPS

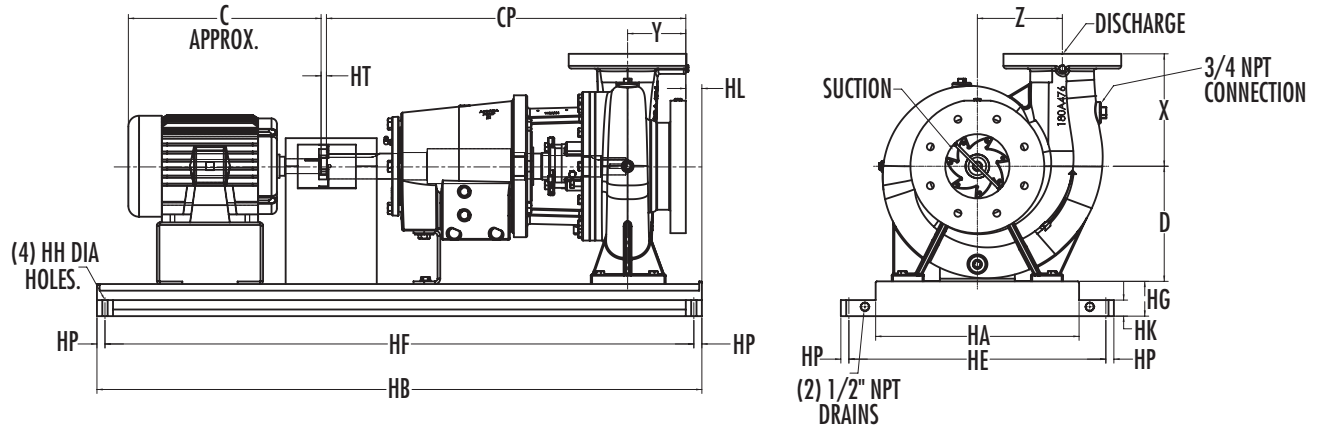
ON STEEL DRIP RIM BASE

Section **911.5** Page **211**

Date **April 15, 2014**

Supersedes Section 911.5 Page 211

Dated May 2013



Model	Disch.	Suct.	Motor Frame Size	CP	Base Size	HA	HB	HE	HF	HG	HH	HK	HP	C	D	X	Y	Z
6" 1623F PF 21	6	8	286T	34.72 (882)	26x72	26 (660)	72.5 (1842)	33.13 (842)	70.88 (1800)	4.5 (114)	1.13 (29)	2 (51)	0.81 (21)	28 (711)	13 (330)	13.38 (340)	6.5 (165)	9.3125 (237)
			286TS		26x72	26 (660)	72.5 (1842)	33.13 (842)	70.88 (1800)	4.5 (114)	1.13 (29)	2 (51)		26 (660)				
			324T		26x72	26 (660)	72.5 (1842)	33.13 (842)	70.88 (1800)	4.5 (114)	1.13 (29)	2 (51)		29 (737)				
			324TS		26x72	26 (660)	72.5 (1842)	33.13 (842)	70.88 (1800)	4.5 (114)	1.13 (29)	2 (51)		28 (711)				
			326T		26x72	26 (660)	72.5 (1842)	33.13 (842)	70.88 (1800)	4.5 (114)	1.13 (29)	2 (51)		31 (787)				
			326TS		26x72	26 (660)	72.5 (1842)	33.13 (842)	70.88 (1800)	4.5 (114)	1.13 (29)	2 (51)		29 (737)				
			364T		26x72	26 (660)	72.5 (1842)	33.13 (842)	70.88 (1800)	4.5 (114)	1.13 (29)	2 (51)		33 (838)				
			364TS		26x72	26 (660)	72.5 (1842)	33.13 (842)	70.88 (1800)	4.5 (114)	1.13 (29)	2 (51)		31 (787)				
			365T		26x72	26 (660)	72.5 (1842)	33.13 (842)	70.88 (1800)	4.5 (114)	1.13 (29)	2 (51)		34 (864)				
			365TS		26x72	26 (660)	72.5 (1842)	33.13 (842)	70.88 (1800)	4.5 (114)	1.13 (29)	2 (51)		32 (813)				
			404T		26x72	26 (660)	72.5 (1842)	33.13 (842)	70.88 (1800)	4.5 (114)	1.13 (29)	2 (51)		38 (965)				
			404TS		26x72	26 (660)	72.5 (1842)	33.13 (842)	70.88 (1800)	4.5 (114)	1.13 (29)	2 (51)		34 (864)				
			405T		26x72	26 (660)	72.5 (1842)	33.13 (842)	70.88 (1800)	4.5 (114)	1.13 (29)	2 (51)		39 (991)				
			405TS		26x72	26 (660)	72.5 (1842)	33.13 (842)	70.88 (1800)	4.5 (114)	1.13 (29)	2 (51)		36 (914)				
			444T		26x84	26 (660)	84.5 (2146)	33.13 (842)	82.88 (2105)	4.5 (114)	1.13 (29)	2 (51)		45 (1143)				
			444TS		26x72	26 (660)	72.5 (1842)	33.13 (842)	70.88 (1800)	4.5 (114)	1.13 (29)	2 (51)		41 (1041)				
8" 1622F PF 21	8	10	364T	36.06 (916)	26x72	26 (660)	72.5 (1842)	33.13 (842)	70.88 (1800)	4.5 (114)	1.13 (29)	2 (51)	0.81 (21)	33 (838)	15 (381)	14 (356)	8 (203)	11 (279)
			364TS		26x72	26 (660)	72.5 (1842)	33.13 (842)	70.88 (1800)	4.5 (114)	1.13 (29)	2 (51)		31 (787)				
			365T		26x72	26 (660)	72.5 (1842)	33.13 (842)	70.88 (1800)	4.5 (114)	1.13 (29)	2 (51)		34 (864)				
			365TS		26x72	26 (660)	72.5 (1842)	33.13 (842)	70.88 (1800)	4.5 (114)	1.13 (29)	2 (51)		32 (813)				
			404T		26x72	26 (660)	72.5 (1842)	33.13 (842)	70.88 (1800)	4.5 (114)	1.13 (29)	2 (51)		38 (965)				
			404TS		26x72	26 (660)	72.5 (1842)	33.13 (842)	70.88 (1800)	4.5 (114)	1.13 (29)	2 (51)		34 (864)				
			405T		26x72	26 (660)	72.5 (1842)	33.13 (842)	70.88 (1800)	4.5 (114)	1.13 (29)	2 (51)		39 (991)				
			405TS		26x72	26 (660)	72.5 (1842)	33.13 (842)	70.88 (1800)	4.5 (114)	1.13 (29)	2 (51)		36 (914)				
			444T		26x84	26 (660)	84.5 (2146)	33.13 (842)	82.88 (2105)	4.5 (114)	1.13 (29)	2 (51)		45 (1143)				
			444TS		26x72	26 (660)	72.5 (1842)	33.13 (842)	70.88 (1800)	4.5 (114)	1.13 (29)	2 (51)		41 (1041)				

NOTES:

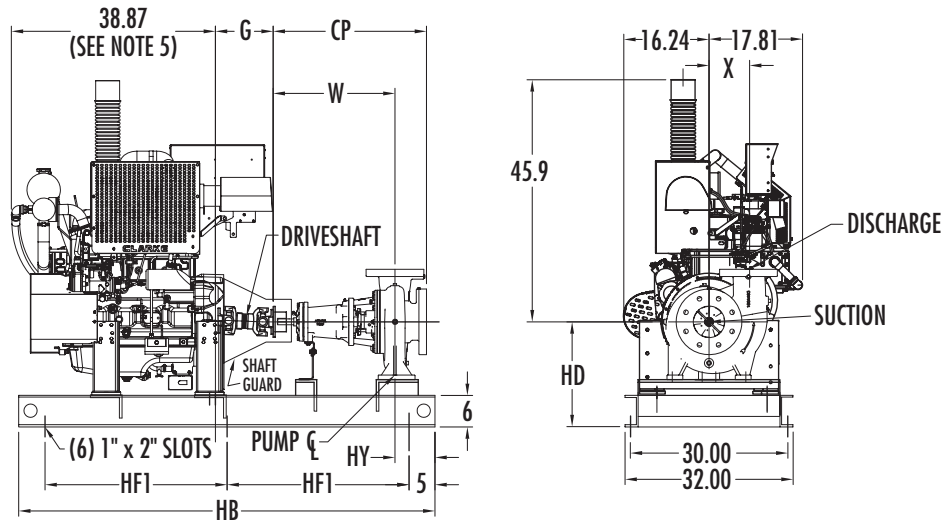
1. Dimensions are approximate.
2. All dimensions are in inches (mm) and may vary $\pm 1/4$ (6).
3. Not for construction purposes unless certified.
4. 125# ANSI suction and discharge flanges are standard. 250# suction and discharge or 125# suction and 250# discharge available as options.

* 3000 RPM 150HP Frame

THIS PAGE LEFT INTENTIONALLY BLANK

FAIRBANKS NIJHUIS™ MODEL 1620F PUMPS

CLARKE MODEL JU4H-UFAEA0, -UFAEE8,
-UFAEF2, -UFADJ8, -UFADJ2



Pump Size			Suct.	W	X	CP	HB	HD	HF1	HY
Model	Disch.	Case Bore								
2" 1623F	2	11	3	21.97	6.5	27.47	78	20	34	8.03
2-1/2" 1623F	2.5	13.5	3	22.16	8	28.16	78	20	34	7.84
3" 1623F ⁷	3	11	4	28	7.38	33.50	88	20	39	12.0
3" 1624F ⁷	3	13.5	4	28.16	8	33.78	88	20	39	11.84
4" 1622F	4	9.5	5	28.27	7	33.27	88	20	39	11.83
6" 1623F	6	13.5	8	28.22	9.31	34.72	88	20	39	11.78
8" 1622F	8	13.5	10	28.06	11	36.06	88	21	39	11.94

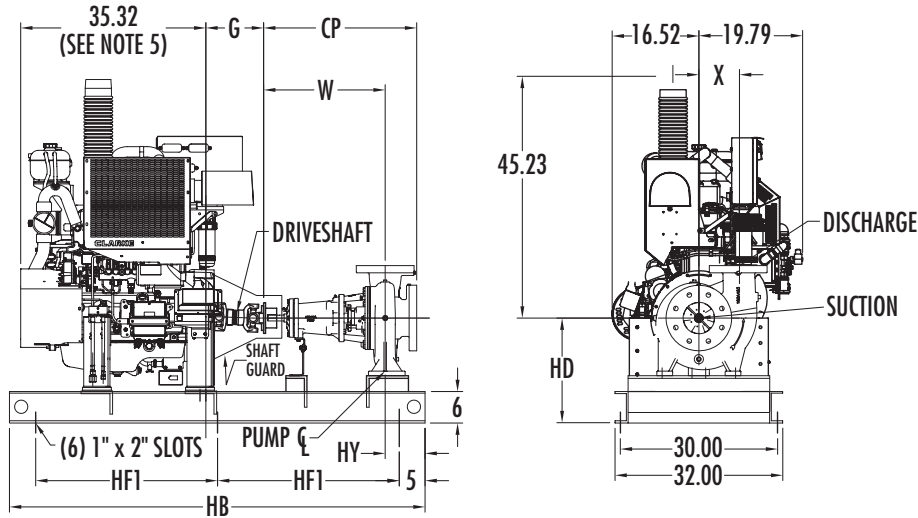
UL Listed Driveshaft		G	A	C
Engine Model	Driveshaft Model			
JU4H-UFAEA0	CDS10-SC	10.50	.25	.09
JU4H-UFAEE8, AEF2, ADJ8, ADJ2	CDS20-SC	11.00	.25	.08

NOTES:

1. All dimensions are in inches and may vary $\pm 3/8"$.
2. Not for construction purposes unless certified.
3. Caution: The driveshaft is designed to operate at a 2° angle with the input and output shafts in parallel. The engine crankshaft is to be set with a parallel offset of "A" \pm "C" inches vertically above the pump shaft and $0.00" \pm "C$ inch parallel offset horizontally right or left of the pump shaft. Refer to the Certified Driveshaft Instructions Manual for alignment instructions.
4. Pump suction and discharge flanges are ANSI standard flat face.
5. Refer to individual engine dimension print for reference point used to determine engine overall length.
6. Left-hand (counterclockwise) rotation is not available.
7. For 3" 1623F and 3" 1624F pump sizes ANSI 125# suction and 250# discharge flanges are standard, 250# suction and discharge or 125# suction and discharge are available as options.
8. For all other pump sizes 125# ANSI suction and discharge flanges are standard. 250# suction and discharge or 125# suction and 250# discharge available as options.

FAIRBANKS NIJHUIS™ MODEL 1620F PUMPS

CLARKE MODEL JU4H-UFAD5G, -UFADJG,
-UFADP0, -UFADRO, -UFADW8, -UFADY8



Pump Size			Suct.	W	X	CP	HB	HD	HF1	HY
Model	Disch.	Case Bore								
6" 1623F	6	13.5	8	28.22	9.31	34.72	88	20	39	11.78
8" 1622F	8	13.5	10	28.06	11	36.06	88	21	39	11.94

UL Listed Driveshaft		
Engine Model	Driveshaft Model	G
JU4H-UFAD5G, -UFADJG, -UFADP0, -UFADRO, -UFADW8, -UFADY8	CDS30-S1	15.75

NOTES:

1. All dimensions are in inches and may vary $\pm 3/8"$.
2. Not for construction purposes unless certified.
3. Caution: The driveshaft is designed to operate at a 2° angle with the input and output shafts in parallel. The engine crankshaft is to be set with a parallel offset of $0.35" \pm 0.10$ inches vertically above the pump shaft and $0.00" \pm 0.10$ inch parallel offset horizontally right or left of the pump shaft. Refer to the Certified Driveshaft Instructions Manual for alignment instructions.
4. Pump suction and discharge flanges are ANSI standard flat face.
5. Refer to individual engine dimension print for reference point used to determine engine overall length.
6. Left-hand (counterclockwise) rotation is not available.
7. 125# ANSI suction and discharge flanges are standard. 250# suction and discharge or 125# suction and 250# discharge available as options.

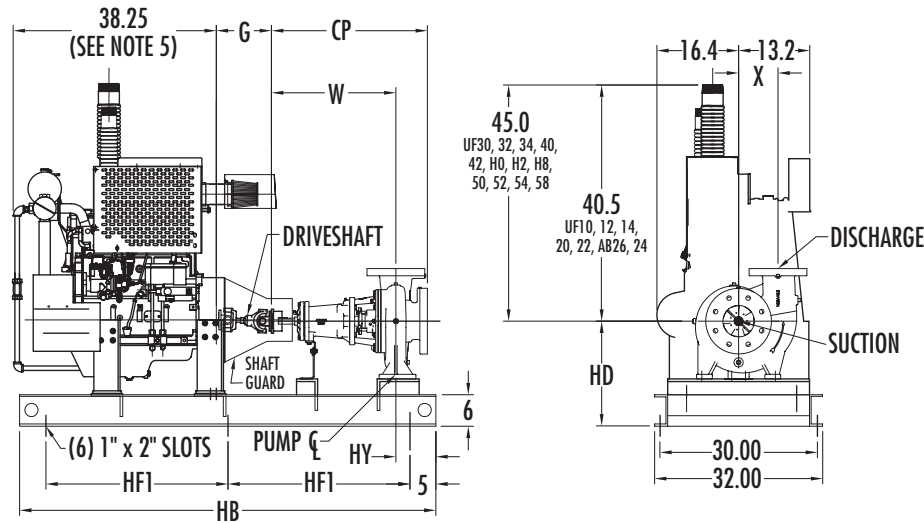
FAIRBANKS NIJHUIS™ MODEL 1620F PUMPS

Section **911.5** Page **215**

Date **April 15, 2014**

Supersedes Section 911.5 Page 215
Dated May 2013

CLARKE MODEL JU4H-UF10, -UF12, -UF14, -UF20, -UF22,
-UFAB26, -UF24, -UF30, -UF32, -UF34, -UFH8, -UFH0, -UFH2,
-UF40, -UF42, -UF58, -UF50, -UF52, -UF54



Pump Size			Suct.	W	X	CP	HB	HD	HF1	HY
Model	Disch.	Case Bore								
2" 1623F	2	11	3	21.97	6.5	27.47	78	20	34	8.03
2-1/2" 1621F	2.5	7	3	22.13	4.69	26.38	78	20	34	7.87
2-1/2" 1623F	2.5	13.5	3	22.16	8	28.16	78	20	34	7.84
3" 1623F ⁷	3	11	4	28	7.38	33.50	88	20	39	12.0
3" 1624F ⁷	3	13.5	4	28.16	8	33.78	88	20	39	11.84
4" 1621F	4	7	5	22.22	5.75	27.16	78	20	34	7.78
4" 1622F	4	9.5	5	28.27	7	33.27	88	20	39	11.83
5" 1622F	5	9.5	6	22.38	7.50	28.38	78	20	34	7.63
6" 1621F	6	9.5	8	28.38	8.25	35.38	88	20	39	11.62
6" 1623F	6	13.5	8	28.22	9.31	34.72	88	20	39	11.78
8" 1622F	8	13.5	10	28.06	11	36.06	88	21	39	11.94

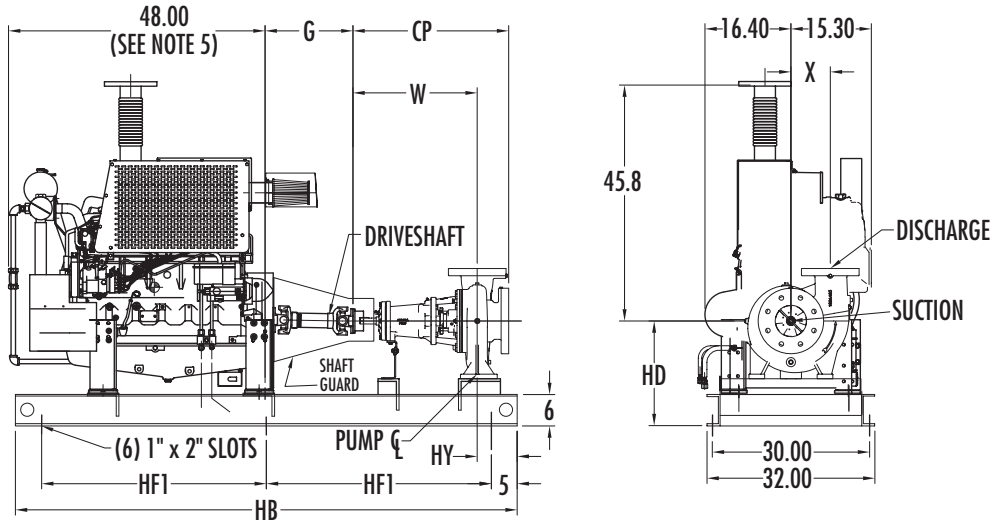
Engine Model	Driveshaft Model	G	A	C
JU4H-UF10, 12, 14, 20, 22, AB26, 24	CDS10-SC	10.50	.25	.09
JU4H-UF30, 32, 34, H8, H0, H2, 40, 42	CDS20-SC	11.00	.25	.08
JU4H-UF58, 50, 52, 54	CDS30-S1	15.62	.35	.10

NOTES:

- All dimensions are in inches and may vary $\pm 3/8"$.
- Not for construction purposes unless certified.
- Caution: The driveshaft is designed to operate at a 2° angle with the input and output shafts in parallel. The engine crankshaft is to be set with a parallel offset of "A" \pm "C" inches vertically above the pump shaft and 0.00" \pm "C" inch parallel offset horizontally right or left of the pump shaft. Refer to the Certified Driveshaft Instructions Manual for alignment instructions.
- Pump suction and discharge flanges are ANSI standard flat face.
- Refer to individual engine dimension print for reference point used to determine engine overall length.
- Left-hand (counterclockwise) rotation is not available.
- For 3" 1623F and 3" 1624F pump sizes ANSI 125# suction and 250# discharge flanges are standard, 250# suction and discharge or 125# suction and discharge are available as options.
- For all other pump sizes 125# ANSI suction and discharge flanges are standard. 250# suction and discharge or 125# suction and 250# discharge available as options.

FAIRBANKS NIJHUIS™ MODEL 1620F PUMPS

CLARKE MODEL JU6H-UFD0, -UFD2, -UF30, -UF32, -UF34, -UFG8,
-UFABL8, -UFABLO, -UFABL2, -UFM8, -UFM0, -UFM2, -UF58,
-UF50, -UF52, -UF54, -UFAB76, -UF68, -UF60, -UF62, -UF84



Pump Size			Suct.	W	X	CP	HB	HD	HF1	HY
Model	Disch.	Case Bore								
6" 1621F	6	9.5	8	28.38	8.25	35.38	88	20	39	11.62
6" 1623F	6	13.5	8	28.22	9.31	34.72	88	20	39	11.78
8" 1622F	8	13.5	10	28.06	11	36.06	88	21	39	11.94

UL Listed Driveshaft				
Engine Model	Driveshaft Model	G	A	C
JU6H-UFD0, -UFD2, -UF30, -UF32, -UF34	CDS20-S1	15.63	.25	.08
JU6H-UFG8, -UFABL8, -UFABLO, -UFABL2, -UFM8, -UFM0, -UFM2, -UF58, -UF50, -UF52, -UF54, -UFAB76, -UF68, -UF60, -UF62, -UF84	CDS30-S1	15.63	.35	.10

NOTES:

1. All dimensions are in inches and may vary $\pm 3/8"$.
2. Not for construction purposes unless certified.
3. Caution: The driveshaft is designed to operate at a 2° angle with the input and output shafts in parallel. The engine crankshaft is to be set with a parallel offset of "A" \pm "C" inches vertically above the pump shaft and $0.00" \pm "C"$ inch parallel offset horizontally right or left of the pump shaft. Refer to the Certified Driveshaft Instructions Manual for alignment instructions.
4. Pump suction and discharge flanges are ANSI standard flat face.
5. Refer to individual engine dimension print for reference point used to determine engine overall length.
6. Left-hand (counterclockwise) rotation is not available.
7. 125# ANSI suction and discharge flanges are standard. 250# suction and discharge or 125# suction and 250# discharge available as options.

FAIRBANKS NIJHUIS™ MODEL 1620F PUMPS

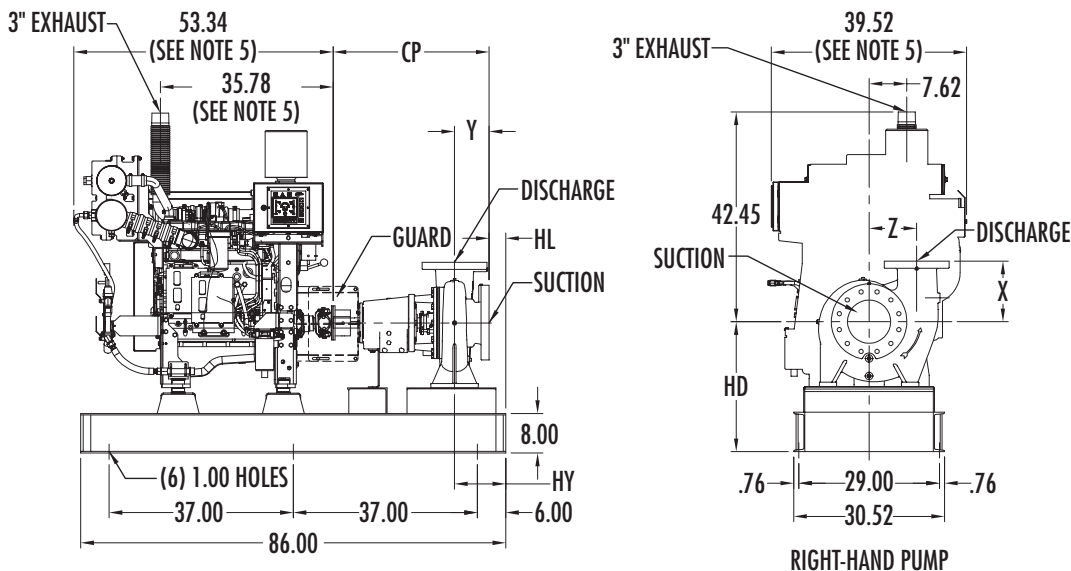
CUMMINS CFP5E DIESEL ENGINE DRIVE

Section **911.5** Page **217**

Date **April 15, 2014**

Supersedes Section 911.5 Page 217

Dated May 2013



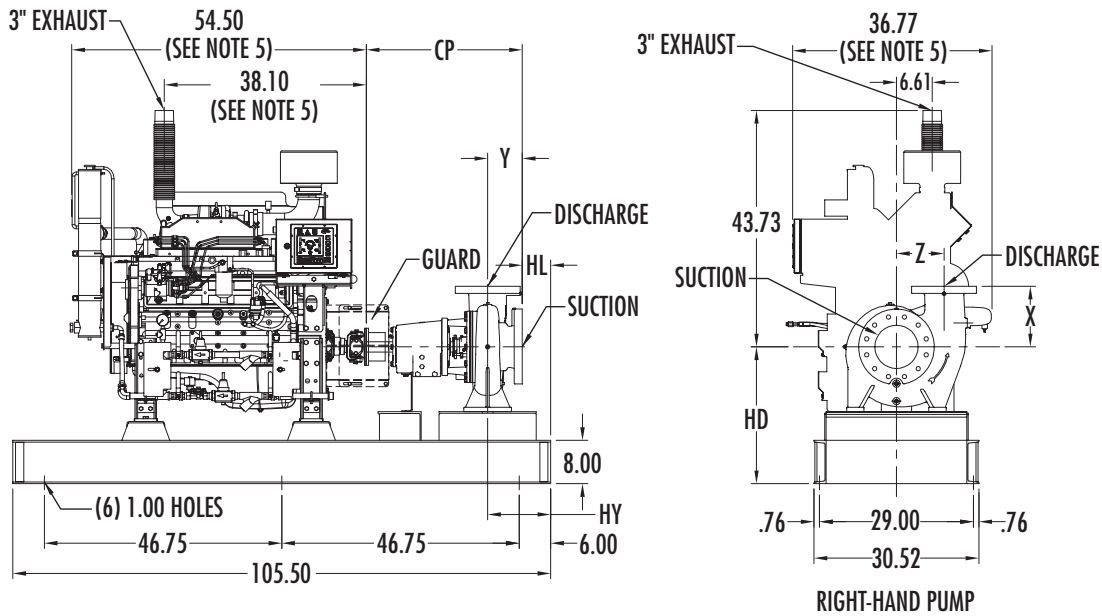
Pump Size		Suct.	Power Frame	CP	HD	HL	HY	X	Y	Z
Model	Disch.									
3" 1624F ⁷	3	4	21A	33.78	25.19	5.75	11.38	9.50	5.62	8.00
6" 1621F	6	8		35.38	25.19	3.38	10.38	10.50	7.00	8.25
6" 1623F	6	8		34.72	25.19	4.50	11.00	13.38	6.50	9.31
8" 1622F	8	10		36.06	25.19	3.00	11.00	14.00	8.00	11.00

NOTES:

1. All dimensions are in inches.
2. Dimensions may vary $\pm .38"$.
3. Not for construction purposes unless certified.
4. Suction and discharge flanges are ANSI Standard flat face.
5. Refer to individual engine dimension print for reference point used to determine dimension.
6. Left-hand rotation not available.
7. For 3" 1623F and 3" 1624F pump sizes ANSI 125# suction and 250# discharge flanges are standard, 250# suction and discharge or 125# suction and discharge are available as options.
8. For all other pump sizes 125# ANSI suction and discharge flanges are standard. 250# suction and discharge or 125# suction and 250# discharge available as options.

FAIRBANKS NIJHUIS™ MODEL 1620F PUMPS

CUMMINS CFP 5.9 DIESEL ENGINE DRIVE



Pump Size		Suct.	Power Frame	CP	HD	HL	HY	X	Y	Z
Model	Disch.									
3" 1624F ⁷	3	13.5	21A	33.78	25.31	6.38	12.00	9.50	5.62	8.00
6" 1621F	6	9.5		35.38	25.31	4.00	11.00	10.50	7.00	8.25
6" 1623F	6	13.5		34.72	25.31	5.13	11.63	13.38	6.50	9.31
8" 1622F	8	13.5		36.06	25.31	3.63	11.63	14.00	8.00	11.00

NOTES:

1. All dimensions are in inches.
2. Dimensions may vary ± .38".
3. Not for construction purposes unless certified.
4. Suction and discharge flanges are ANSI Standard flat face.
5. Refer to individual engine dimension print for reference point used to determine dimension.
6. Left-hand rotation not available.
7. For 3" 1623F and 3" 1624F pump sizes ANSI 125# suction and 250# discharge flanges are standard, 250# suction and discharge or 125# suction and discharge are available as options.
8. For all other pump sizes 125# ANSI suction and discharge flanges are standard. 250# suction and discharge or 125# suction and 250# discharge available as options.