

# EFFLUENT PUMPS

## ME SERIES

The Myers ME Series Effluent Pumps are designed specifically for effluent pressure distribution mounds, trenches and high-flow drainage applications. Heavy-duty construction with finest corrosion-resistant materials for years of extended service in the harshest environments. Available in single and double-seal models; thermoplastic and bronze impeller models.

### APPLICATIONS

Effluent removal, sump drainage, water transfer, and flood control.



  
 Tested & Certified to UL778  
 and CSA 108.  
**3 Year Warranty**

### FEATURES

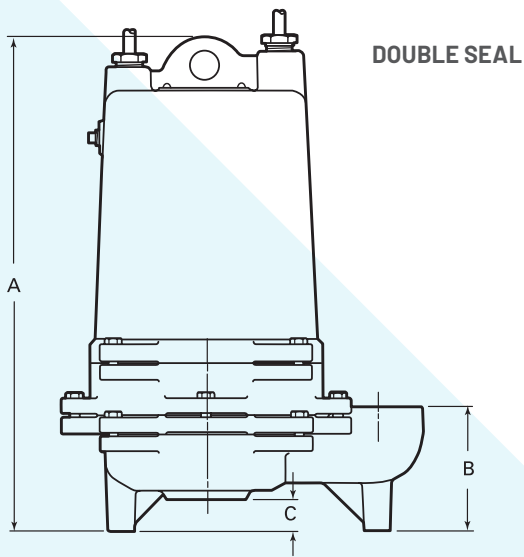
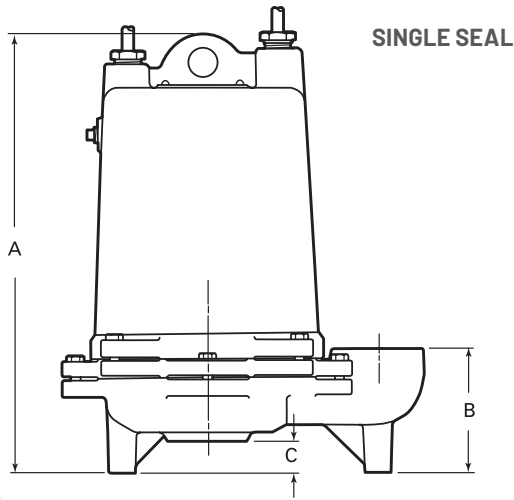
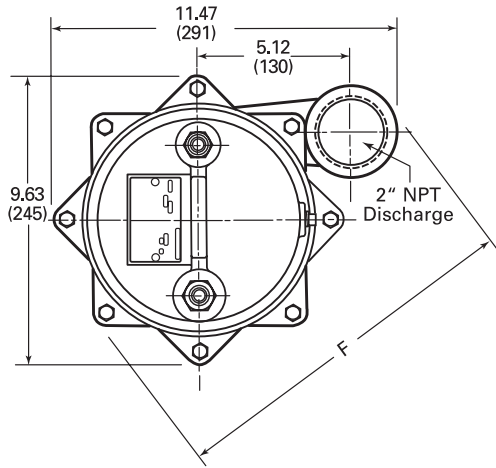
- ◆ **Cast Iron Tough:** All cast-iron housing and volute case resists the most extreme corrosive environments.
- ◆ **High Efficiency Dosing:** Engineered thermoplastic or bronze (optional) two-vane impeller provides ideal performance for efficient dosing.
- ◆ **Jam Proof:** Enclosed impeller design eliminates jamming between impeller and volute.
- ◆ **Powerful Torque:** High-torque, permanent split capacitor (PSC) motor; no starting switches or relays to wear out.
- ◆ **Runs Cooler:** Rugged, oil-filled motor for bearing lubrication and maximum heat dissipation.
- ◆ **Leak Protection:** Optional leak probe senses water leakage past seal (dual seal motors only).
- ◆ **Thermal Protection:** Heat sensor overload protection with automatic reset when motor cools to a safe operating temperature (single phase only).

### SPECIFICATIONS

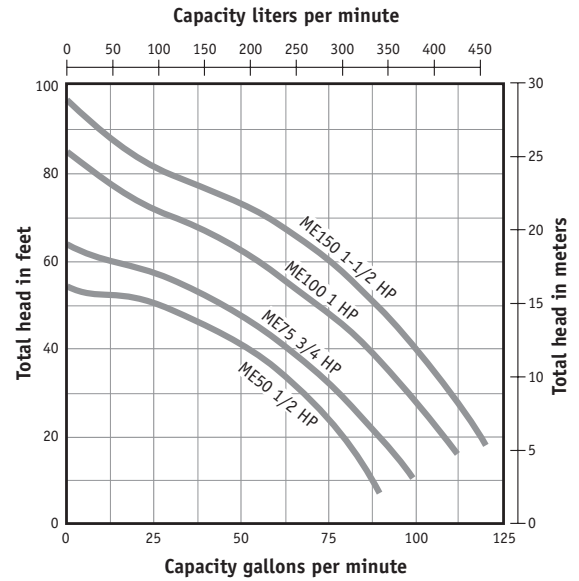
- ◆ **Capacities:** Up to 120 GPM (454 LPM)
- ◆ **Shut-Off Head:** Up to 95' (28.9 m)
- ◆ **Max. Spherical Solids:** 3/4" (19 mm)
- ◆ **Liquids Handling:** Domestic effluent and drain water
- ◆ **Motor/Electrical Data:** 1/2 HP, 115V, 1Ø; 1/2 to 1-1/2 HP, 230V, 1Ø; 208/230/460/575V, 3Ø; oil-filled, permanent split capacitor type, 1Ø, 3450 RPM, 60Hz
- ◆ **Acceptable pH Range:** 6-9
- ◆ **Specific Gravity:** .9-1.1
- ◆ **Viscosity:** 28-35 SSU
- ◆ **Discharge NPT:** 2"
- ◆ **Housing:** Cast iron
- ◆ **Volute Case:** Cast iron
- ◆ **Impeller:** Thermoplastic, or bronze (optional)
- ◆ **Minimum Sump Diameter:** Simplex: 24" (61.0 cm)  
Duplex: 36" (91.4 cm)
- ◆ **Power Cord:** 20'

# EFFLUENT PUMPS ME SERIES

## DIMENSIONS



## PUMP PERFORMANCE



CATALOG NUMBER	INCHES (MILLIMETERS)			
	A	B	C	F
ME50S	16.8 (427)	4.09 (104)	1.03 (26)	12.13(308)
ME50D	18.6 (472)	4.09 (104)	1.03 (26)	12.13 (308)
ME75S, ME100S, ME150S	16.8 (427)	4.0 (102)	1.06 (27)	12.5 (318)
ME75D, ME100D, ME150D	18.6 (472)	4.0 (102)	1.06 (27)	12.5 (318)

# EFFLUENT PUMPS ME SERIES

## ORDERING INFORMATION

CATALOG NUMBER	HP	VOLTS	PHASE	DISCHARGE NPT	SWITCH TYPE	APPROX. CORD LENGTH	WT. LBS
<b>Single Seal</b>							
ME50S-11	1/2	115	1	2"	Manual	20'	73
ME50S-01	1/2	200	1	2"	Manual	20'	73
ME50S-21	1/2	230	1	2"	Manual	20'	74
ME50S-03	1/2	200	3	2"	Manual	20'	74
ME50S-23	1/2	230	3	2"	Manual	20'	74
ME50S-43	1/2	460	3	2"	Manual	20'	74
ME50S-53	1/2	575	3	2"	Manual	20'	74
ME75S-21	3/4	230	1	2"	Manual	20'	81
ME75S-23	3/4	230	3	2"	Manual	20'	81
ME100S-01	1	200	1	2"	Manual	20'	83
ME100S-21	1	230	1	2"	Manual	20'	83
ME100S-03	1	200	3	2"	Manual	20'	83
ME100S-23	1	230	3	2"	Manual	20'	83
ME100S-43	1	460	3	2"	Manual	20'	83
ME100S-53	1	575	3	2"	Manual	20'	83
ME150S-01	1-1/2	200	1	2"	Manual	20'	84
ME150S-21	1-1/2	230	1	2"	Manual	20'	84
ME150S-03	1-1/2	200	3	2"	Manual	20'	85
ME150S-23	1-1/2	230	3	2"	Manual	20'	85
ME150S-43	1-1/2	460	3	2"	Manual	20'	85
ME150S-53	1-1/2	575	3	2"	Manual	20'	85
<b>Double Seal</b>							
ME50D-11	1/2	115	1	2"	Manual	20'	88
ME50D-01	1/2	200	1	2"	Manual	20'	88
ME50D-21	1/2	230	1	2"	Manual	20'	88
ME50D-03	1/2	200	3	2"	Manual	20'	88
ME50D-23	1/2	230	3	2"	Manual	20'	88
ME50D-43	1/2	460	3	2"	Manual	20'	88
ME50D-53	1/2	575	3	2"	Manual	20'	88
ME75D-01	3/4	200	1	2"	Manual	20'	95
ME75D-21	3/4	230	1	2"	Manual	20'	95
ME75D-03	3/4	200	3	2"	Manual	20'	95
ME75D-23	3/4	230	3	2"	Manual	20'	95
ME75D-43	3/4	460	3	2"	Manual	20'	95
ME75D-53	3/4	575	3	2"	Manual	20'	95
ME100D-01	1	200	1	2"	Manual	20'	97
ME100D-21	1	230	1	2"	Manual	20'	97
ME100D-03	1	200	3	2"	Manual	20'	97
ME100D-43	1	460	3	2"	Manual	20'	97
ME150D-01	1-1/2	200	1	2"	Manual	20'	98
ME150D-43	1-1/2	460	3	2"	Manual	20'	98



293 Wright St  
 Delavan, WI 53115  
 Ph: 888.987.8677  
 Fx: 800.426.9446

490 Pinebush Rd, Unit 4  
 Cambridge, Ontario N1T 0A5, Canada  
 Ph: 800.363.7867  
 Fx: 888.606.5484

pentair.com

All indicated Pentair trademarks and logos are property of Pentair. Third party registered and unregistered trademarks and logos are the property of their respective owners. Because we are continuously improving our products and services, Pentair reserves the right to change specifications without prior notice. Pentair is an equal opportunity employer.