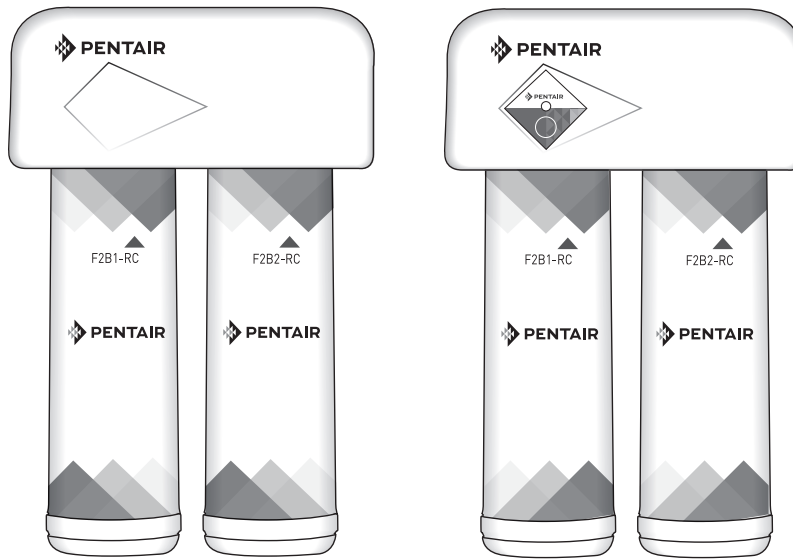




## FRESHPOINT

### F2000-B2B, F2000-B2M FILTRATION SYSTEM INSTALLATION AND OPERATION MANUAL



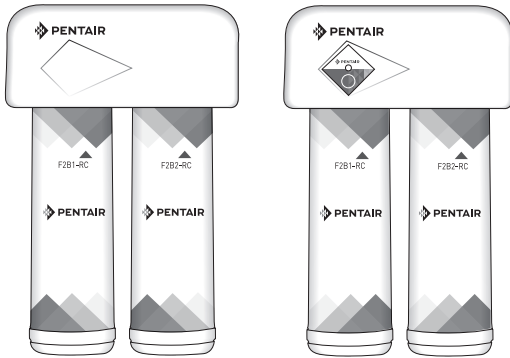


## FreshPoint F2000-B2B, F2000-B2M Filtration System

### INSTALLATION INSTRUCTIONS

English ..... Pages 3-9  
Repair Parts .....Page 8

---



## FreshPoint F2000-B2B, F2000-B2M Sistema de filtración

### INSTRUCCIONES DE INSTALACIÓN

Español ..... Páginas 11-16  
Piezas de repuesto ..... Página 15

---

## FreshPoint F2000-B2B, F2000-B2M Système de filtration

### DIRECTIVES D'INSTALLATION

Français ..... Pages 17-23  
Pièces de Rechange ..... Page 22

---

## SPECIFICATIONS

Temperature Range:..... 40-100°F (4.4-37.8°C)  
Pressure Range:.....40-100 psi (2.75-6.89 bar)  
Service Flow Rate @ 60 psi (4.1 bar):  
Model: F2000-B2B..... 0.6 gpm (2.27 L/min)  
Model: F2000-B2M..... 0.6 gpm (2.27 L/min)  
Rated Service Life:  
Model: F2000-B2B..... 675 gallons (2555 L)  
Model: F2000-B2M..... 675 gallons (2555 L)  
Dimensions: .....12.5" x 8" x 5.25"  
(317mm x 203mm x 133mm)  
Weight:  
Model: F2000-B2B (system only)..... 4.5 lbs (2 kg)  
Model: F2000-B2M (system only)..... 4.5 lbs (2 kg)

## PARTS INCLUDED

- Filter System with Cartridges
- Installation Hardware Kit
- Lead-free drinking water faucet
- 3/8" (white and blue) plastic tubing

## PRECAUTIONS

**⚠ WARNING:** Do not use with water that is microbiologically unsafe or of unknown quality without adequate disinfection before or after the system. Systems certified for cyst reduction may be used on disinfected waters that may contain filterable cysts. Chemical and mechanical reduction unit.

**CAUTION** System must be protected against freezing, which can cause cracking of the filter and water leakage.

### NOTE:

- For cold water use only.
- Make certain that installation complies with all state and local laws and regulations.
- The system must be maintained according to manufacturer's recommendations, including replacement of filter cartridges. The contaminants or other substances removed or reduced by the selected cartridge are not necessarily in your water. Ask your local water municipality for a copy of their water analysis, or have your water tested by a reputable water testing lab.
- After prolonged periods of non-use (such as during a vacation) it is recommended that the system be flushed thoroughly. Let water run for 5-6 minutes before using.
- The filter cartridges used with this system have a limited service life. Changes in taste, odor, and/or flow of the water being filtered indicate the cartridge should be replaced.

## CALIFORNIA PROPOSITION 65 WARNING

**⚠ WARNING:** This product contains chemicals known to the State of California to cause cancer or birth defects or other reproductive harm.

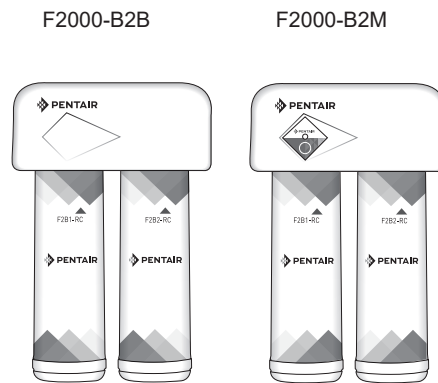
## TOOLS AND MATERIALS REQUIRED

- Safety glasses
- Adjustable wrench
- Tube cutter or utility knife
- Hand or electric drill (cordless recommended)
- File
- 1/4" drill bit

If sink does not have hole for separate faucet:

- Center punch
- 3/4" drill bit or hole saw
- 3/32" drill bit

## CARTRIDGE SEQUENCE



# INSTALLATION

## NOTE:

- For standard under-sink installation on 1/2" 14 NPS threads or 3/8" x 3/8" compression
- Please read all instructions and precautions before installing and using your Filtration System
- Numbered diagrams correspond with numbered steps

### 1. Installing the Water Supply Adapter

The supply adapter fits 1/2"-14 NPS supply threads or 3/8" x 3/8" compression. If local codes permit, it may be used to connect the system to the cold water supply line. If local codes do not permit the use of the supply adapter, alternate connectors can be obtained from your local supplier.

- Turn off cold water supply line. If cold water line does not have a shut-off valve under the sink, you should install one.
- Turn on the cold water faucet and allow all water to drain from line.
- Disconnect riser cold water supply valve.
- Ensure the sealing gasket is fully seated into the feed adapter valve female thread.
- Install feed adapter valve onto supply valve. Hand tighten only.
- Connect the riser to the feed adapter valve.

**NOTE: See Figures 1G-1H for configuring the feed adapter to 3/8" x 3/8" compression connections.**

### 2. Selecting the Faucet Location

**NOTE: The drinking water faucet should be positioned with function, convenience, and appearance in mind. An adequate flat area is required to allow faucet base to rest securely. The faucet fits through a 3/4" hole. Most sinks have pre-drilled 1-3/8" or 1-1/2" diameter holes that may be used for faucet installation. If these pre-drilled holes cannot be used or are in an inconvenient location, it will be necessary to drill a 3/4" hole in the sink to accommodate the faucet.**

**CAUTION** This procedure may generate dust which can cause severe irritation if inhaled or come in contact with the eyes. The use of safety glasses and respirator for this procedure is recommended.

**CAUTION** DO NOT ATTEMPT TO DRILL THROUGH AN ALL-PORCELAIN SINK. If you have an all-porcelain sink, mount the faucet in pre-drilled sprayer hole or drill through countertop next to sink.

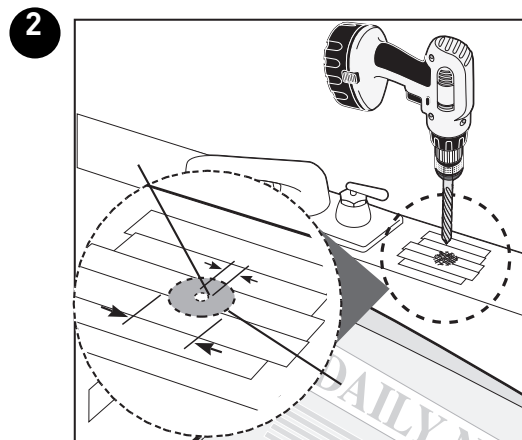
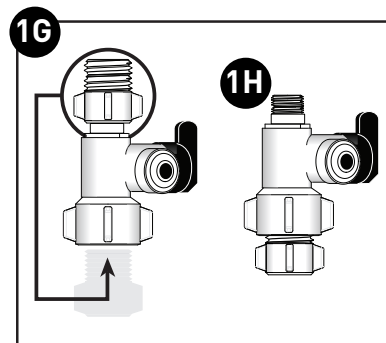
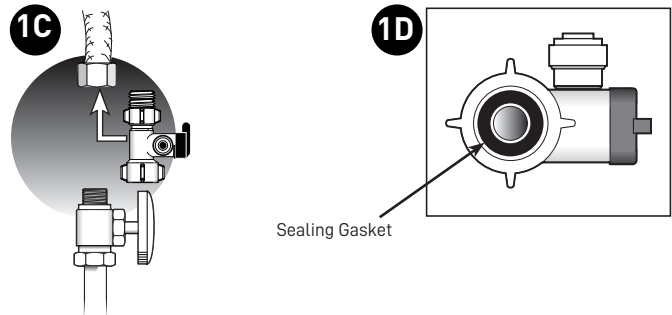
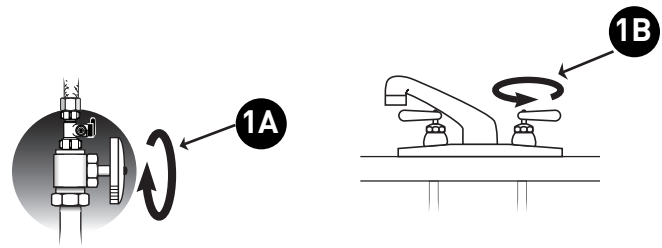
**CAUTION** When drilling through a countertop, make sure the area below the drilled area is free of wiring and piping. Make certain you have ample room to make the proper connections to the bottom of the faucet.

**CAUTION** Do not drill through a countertop that is more than 1" thick.

**CAUTION** Do not attempt to drill through a tiled, marble, granite or similar countertop. Consult a plumber or the countertop manufacturer for advice or assistance.

- Line bottom of sink with newspaper to prevent metal shavings, parts, or tools from falling down the drain.
- Place masking tape over the area to be drilled to prevent scratches if drill bit slips.
- Mark hole with center punch. Use a 1/4" drill bit to drill pilot hole.
- Use a 3/4" drill bit and drill a hole completely through sink.
- Smooth rough edges with a file.

### 3. Mounting the Faucet



## INSTALLATION CONTINUED

- A. Apply 3-5 wraps of plumber's tape to faucet stem.
- B. Assemble faucet as shown in Figure 3.
- C. Screw quick connector onto threaded end of faucet stem.
- D. Place a mark 5/8" from one end of the blue tubing. Wet the end of the 3/8" tube and push into bottom of connector. The 5/8" mark should be flush with the collar of the connector.

**NOTE: To remove the tube, push on the fittings' collar and pull the tube out.**

- E. Holding the faucet, feed the tubing through the hole in the sink. Position the faucet handle at a desired location.
- F. Center the faucet and slip slotted disc between the bottom of the counter or sink and lock washer. Tighten the stem nut with a wrench until it is tight.
- G. Firmly insert spout into faucet base.

### 4. Mounting the System

- A. Select a location under the sink, or other suitable area where the system will be installed.

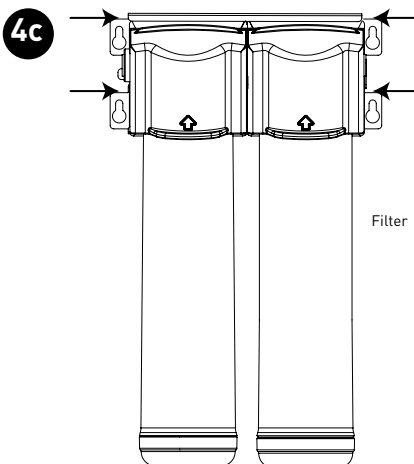
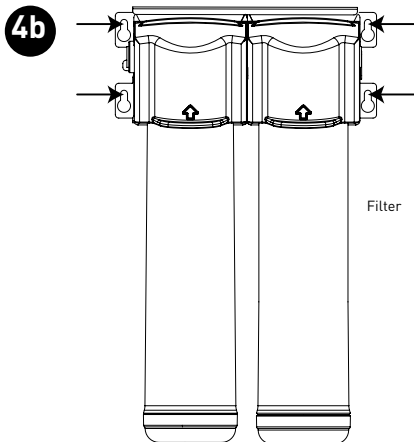
**NOTE: The system carton can be used to determine the operational footprint required for installation of the system and replacement cartridges. (Figure 4a)**

- B. Mount the system vertically. Ensure mounting is level. Place a pencil mark in the upper slots of the bracket mounting holes. (Figure 4b). Alternate mounting option: If mounting the system near the floor, place the pencil marks above each of the mounting holes on the bracket to ensure enough space resides below the cartridge and the floor for cartridge replacement (Figure 4c). Use the 3/32" drill bit to create pilot holes for mounting.

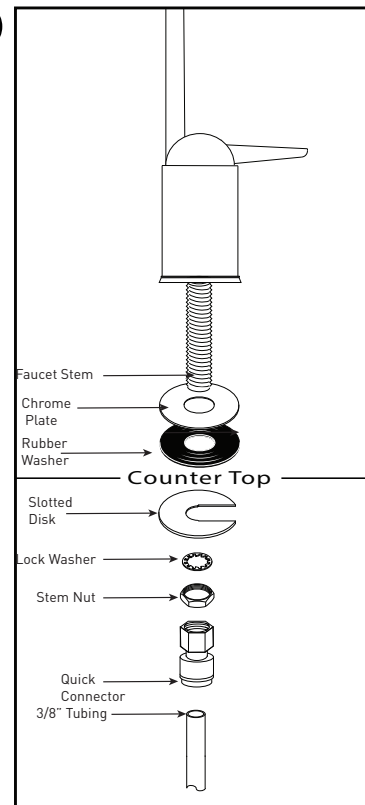
The system should be mounted to a firm, solid surface that is able to support the weight of the system.

**⚠ WARNING:**

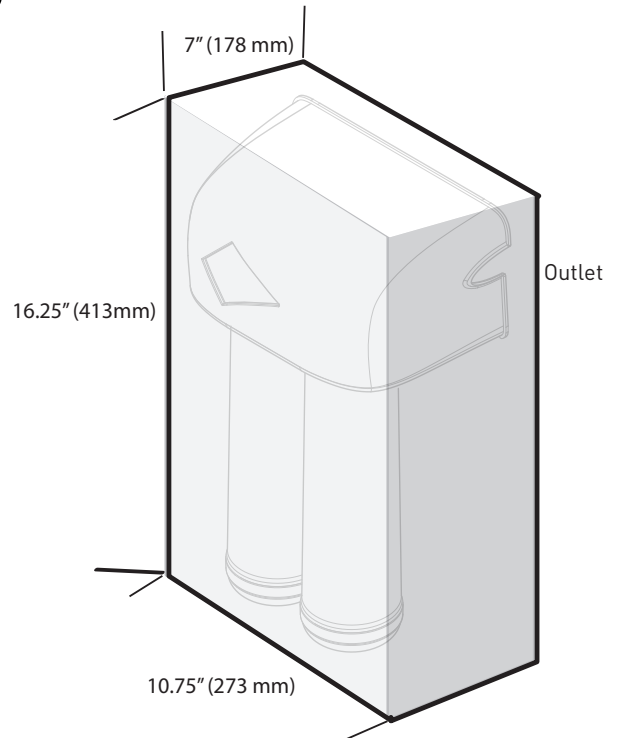
### 5. Connecting the Faucet to the System



3



4a



## INSTALLATION CONTINUED

- A. Determine the length of plastic blue tubing needed to connect to the outlet (right) side of the filter from the faucet. Be sure to allow enough tubing to prevent kinking and cut the tubing squarely. Use a marker to mark one end of the tubing 5/8" from the end (Figure 5). Wet the end of the 3/8" tube and push into the outlet (right) connection of the system up to the mark.

**CAUTION** Do not bend or crimp tube inserting.

- B. Gently pull back on the tube to ensure it is connected properly.

### 6. Connecting the Supply Adapter

- A. Determine the length of plastic white tubing needed to connect the inlet (left) side of the filter with the feed adapter installed on the cold water supply line. Be sure to allow enough tubing to prevent kinking and cut the tubing squarely. Place a mark 5/8" from one end of the tubing. Wet the end of the tubing. Insert the end of the tubing into the 3/8" fitting of the inlet supply adapter. The 5/8" mark should be flush with the collar of the fitting located on the inlet supply adapter (Figure 6a).
- B. Mark the remaining end of the tubing. Use a marker to mark 5/8" from the end. Wet the end of the tube. Insert the end into the feed connection on the inlet side (left) of the system. The tube should go in up to the mark. (Figure 6b).

### 7. Placing the System into Operation

- A. Slowly turn on the cold water supply. Ensure that the feed adapter valve is also open.
- B. Open faucet and flush filter for 10 minutes. Discard water.
- C. Check for leaks at all fittings before leaving installation. If leaks appear, see Troubleshooting.

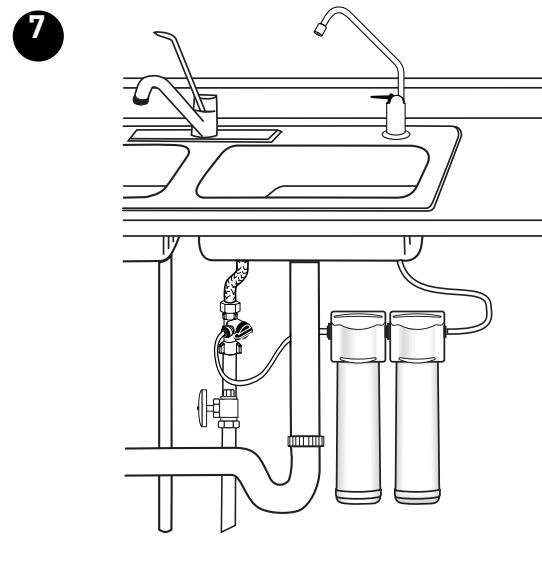
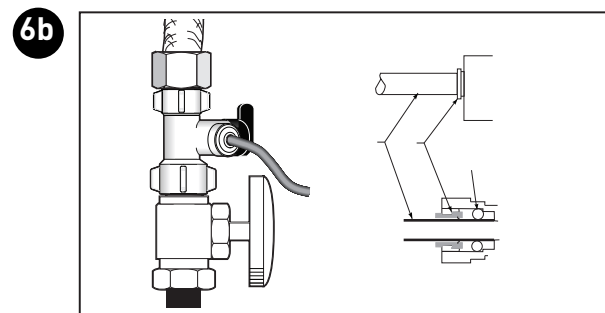
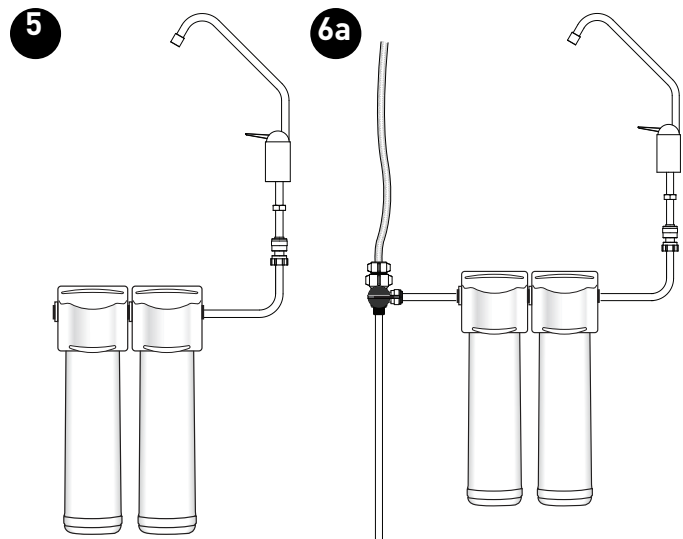
**NOTE:** A drinking water cartridge may contain carbon fines (very fine black powder). If carbon fines appear in the water, discard water. More flushing is required if carbon fines are present.

**NOTE:** Initially, filtered water may appear cloudy. If cloudiness in a glass of water disappears from the bottom; fine air bubbles are present. This air within the water will disappear within a few weeks after installation.

INSTALLATION IS NOW COMPLETE.

## FILTER CARTRIDGE REPLACEMENT

**NOTE:** The life of the filter cartridges depends on water volume used and the quality of the feed water. It is



recommended that the filter cartridges be replaced every 6-12 months, or when there is a noticeable change in taste, odor, or flow of filtered water.

### Ensure the correct cartridge set is purchased for the system.

Model F2000-B2B and F2000-B2M use F2B2-RC2 Replacement Cartridge set.

### 8. Cartridge Replacement

- A. Relieve pressure by turning off the water supply to the system and opening a faucet until water flow stops. Place a bucket or towel under the system to catch any water drips (Figure 8a).
- B. Remove the cover and lift the locking bar upward until the filter cartridge disengages from the filter head assembly (Figure 8b).
- C. Pull the cartridge away from the filter head assembly (Figure 8c).
- D. Ensure the locking bar is fully in the up position (Figure 8c).
- E. Align the posts on the filter cartridge with the ports in the filter head assembly. Slide the cartridge filter towards into the filter head assembly engaging with the locking bar causing it to drop forward and down. (Figure 8d).
- F. Pull down the locking bar until it snaps into place (Figure 8e).
- G. Install cover.

**NOTE:** See **Placing the System into Operation** section for remaining steps.

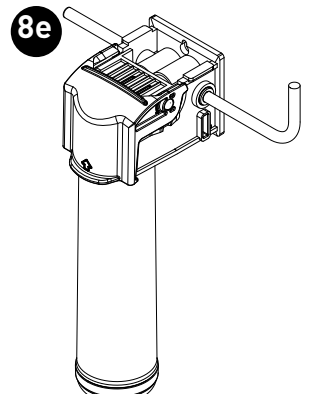
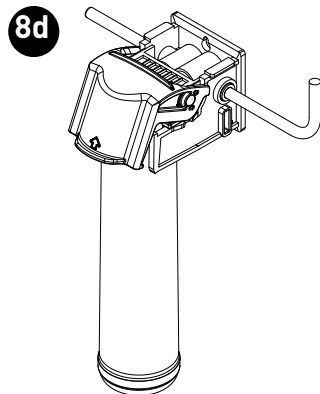
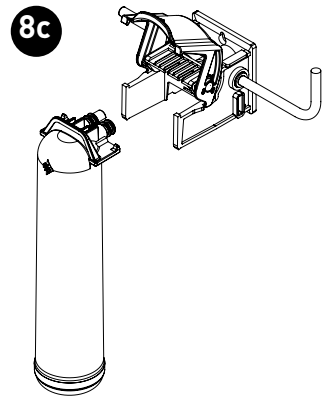
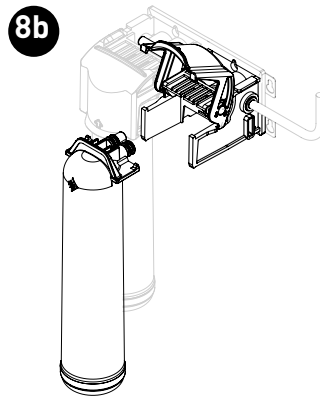
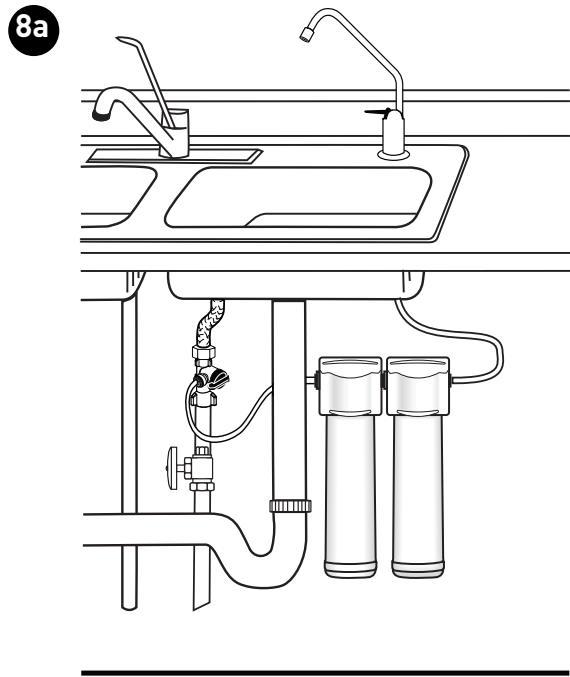
## TROUBLESHOOTING

### Leaks between filter head assembly and filter cartridge

1. Relieve pressure by turning off the water supply to the system and opening faucet until water flow stops. Place a bucket or towel under the system to catch any water drips.
2. Remove cartridge and inspect O-rings to make sure they are seated and clean.
3. Install filter cartridge. Place system into operation and check for leaks. If leaks persist, turn off the water supply and contact Technical Support at 1-800-279-9404.

### Leaks from tubing fittings

1. Relieve pressure by turning off the water supply to the system and opening faucet until water flow stops. Place a bucket or towel under the system to catch any water drips.
2. Depress collet on system or inlet supply adapter tubing fittings and pull tubing from fitting. Inspect surface of tubing for scratches or debris. Clean or cut back tubing to access clean surface.
3. Wet the end of the inlet tubing and press into the inlet fitting of the system. Ensure the tubing is fully pushed past the fitting O-rings. Place system into operation and check for leaks. If leaks persist, turn off the water supply and contact Technical Support at 1-800-279-9404.



# CARTRIDGE TIMER PROCEDURE

## FILTER CARTRIDGE TIMER

(MONITORED SYSTEMS ONLY)

The filter cartridge timer can be installed to the systems decorative cover by peeling away the adhesive backing on the metal plate included with the cartridge timer. The timer can also be attached to a metal magnetic surface using the magnet that is factory installed on cartridge timer.

## INSTALLATION AND ACTIVATION

Once the installation location has been selected, activate the timer by pulling the plastic tab out from the side of the timer. Press and release the key to verify the battery is operational. The light will blink green three times. (Figure 9a)

**NOTE: The timer operates on 12 month schedule. The timer uses a coin cell type 2023 battery.**

### The Filter Cartridge Timer is Operational

#### Operation

1. The timer will begin to blink red once every three minutes after 11 months, and will blink red three times every three minutes after 12 months. (Figure 9b)

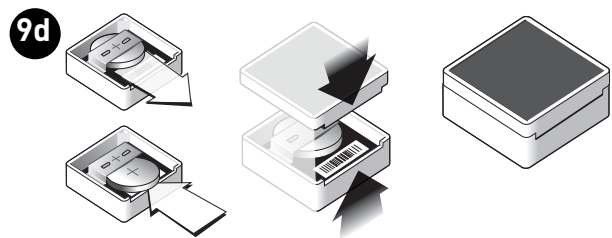
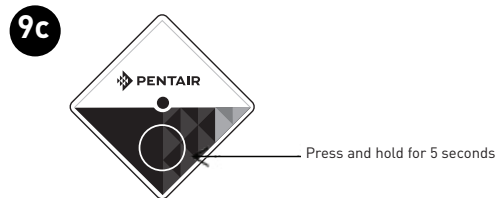
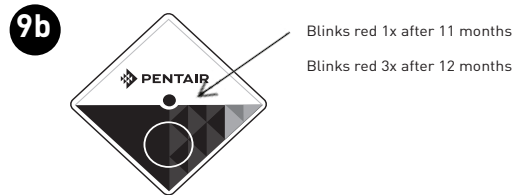
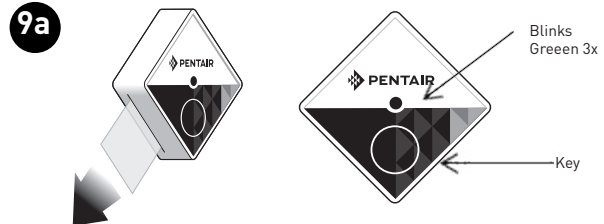
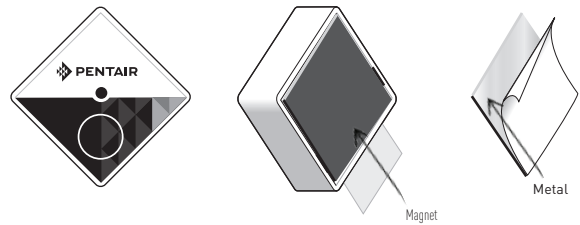
**NOTE: Timer status of the cartridge life can also be viewed immediately by pressing and releasing the key.**

#### Reset Timer

1. To reset the timer after filter cartridge replacement, press the key and hold for 5 seconds. The timer is now reset to 12 months. (Figure 9c)

#### Battery Replacement

1. Replace the battery every 12 months. To replace the battery, locate the slot on the side of the timer body and carefully remove the front of the timer. The battery is now accessible. (Figure 9d)
2. Slide the new battery under the battery retention bracket with the positive + side of the battery facing up towards the battery retention bracket. Align the tab on the timer back to the slot on the timer front and press and snap both timer halves together. Battery replacement will not reset the 12 month timer. If reset is required, press and hold key for 5 seconds.

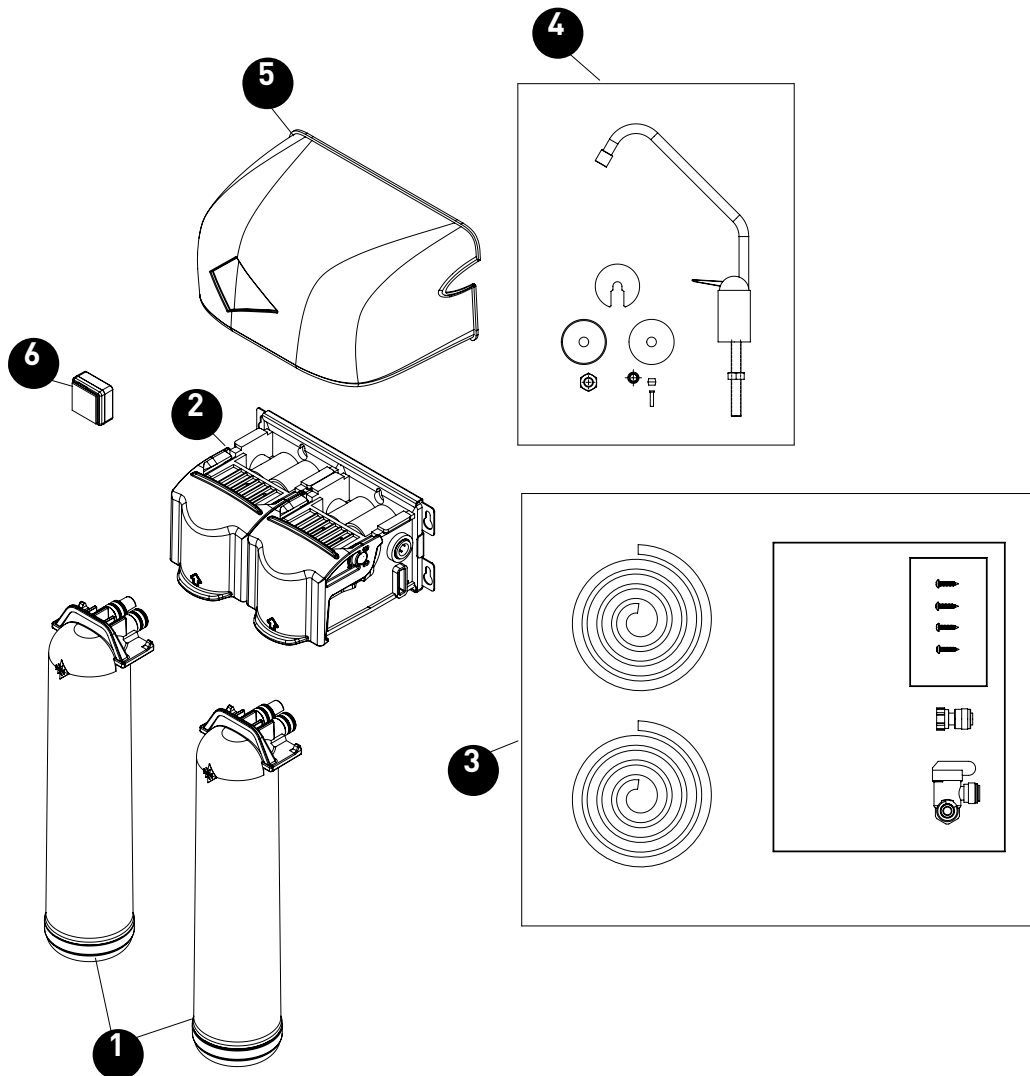




# REPLACEMENT PARTS

ITEM NUMBER	PART NUMBER	DESCRIPTION	QUANTITY REQUIRED
1	655126-96	Cartridge Set, F2B2-RC2	1
2	4004603	Filter Head, Model F2000-B2B	1
	4004605	Filter Head, Model F2000-B2M	1
3	4003596	Installation Kit 2 & 3 Stage	1
4	244960*	Faucet	1
5	4004918	Cover, 2 Stage	1
6	4003641	Cartridge Timer	1

\*Image may be different than actual faucet



For replacement parts, contact your nearest Pentair distributor or call 800.279.9404

## PERFORMANCE DATA

Important Notice: Read performance data and compare the capabilities of the system with your actual water treatment requirements. It is recommended that the supply water be tested, before installing a water treatment system, to determine your water treatment needs.

### Test Conditions

Flow Rate

F2000-B2B	= 0.60 gpm (2.27 L/min)
F2000-B2M	= 0.60 gpm (2.27 L/min)

### Filter Capacity

F2000-B2B	= 675 gallons (2555 L)
F2000-B2M	= 675 gallons (2555 L)
Inlet Pressure	= 60 psi (4.1 bar)
Temperature	= 68°F +/- 5°F (20°C +/- 2.5°F)

Testing was performed under standard laboratory conditions, actual performance may vary.

Operating Requirements for F2000-B2B and F2000-B2M Systems:

Pressure	= 40-100 psi (2.75-6.89 bar)
Temperature	= 40-100°F (4.4-37.8°C)

### Performance Data Sheet Reduction Claims

#### for Organic Chemicals Included by Surrogate Testing

Substance	Influent Challenge Concentration mg/L	Maximum permissible Product Water Concentration mg/L
alachlor	0.050	0.001
atrazine	0.100	0.003
benzene	0.081	0.001
carbofuran	0.190	0.01
carbon tetrachloride	0.078	0.0018
chlorobenzene	0.077	0.001
chloropicrin	0.015	0.0002
2,4-D	0.110	0.0017
dibromochloropropane (DBCP)	0.052	0.00002
o-dichlorobenzene	0.080	0.001
p-dichlorobenzene	0.040	0.001
1,2-dichloroethane	0.088	0.0048
1,1-dichloroethylene	0.083	0.001
cis-1,2-dichloroethylene	0.170	0.0005
trans-1,2-dichloroethylene	0.086	0.001
1,2-dichloropropane	0.080	0.001
cis-1,3-dichloropropylene	0.079	0.001
dinoseb	0.170	0.0002
endrin	0.053	0.00059
ethylbenzene	0.088	0.001
ethylene dibromide (EDB)	0.044	0.00002
haloacetonitriles (HAN):		
bromochloroacetonitrile	0.022	0.0005
dibromoacetonitrile	0.024	0.0006
dichloroacetonitrile	0.0096	0.0002
trichloroacetonitrile	0.015	0.0003
haloketones (HK):		
1,1-dichloro-2-propanone	0.0072	0.0001
1,1,1-trichloro-2-propanone	0.0082	0.0003
heptachlor	0.080	0.0004
heptachlor epoxide	0.0107	0.0002
hexachlorobutadiene	0.044	0.001
hexachlorocyclopentadiene	0.060	0.000002
lindane	0.055	0.00001
methoxychlor	0.050	0.0001
pentachlorophenol	0.096	0.001
simazine	0.120	0.004
styrene	0.150	0.0005
1,1,2,2-tetrachloroethane	0.081	0.001
tetrachloroethylene	0.081	0.001
toluene	0.078	0.001
2,4,5-TP(silvex)	0.270	0.0016
tribromoacetic acid	0.042	0.001
1,2,4-trichlorobenzene	0.160	0.0005
1,1,1-trichloroethane	0.084	0.0046
1,1,2-trichloroethane	0.050	0.0005
trichloroethylene	0.180	0.001
trihalomethanes (includes):		
chloroform (surrogate chemical)		
bromoform	0.310	0.015
bromodichloromethane		
chlorodibromomethane		
xylenes (total)	0.070	0.001

## F2000-B2B, F2000-B2M SYSTEMS INSTALLED WITH F2B2-RC2 FILTER CARTRIDGE SET

This system has been tested according to NSF/ANSI 42 and 53 for reduction of the substances listed below. The concentration of the indicated substances in water entering the system was reduced to a concentration less than or equal to the permissible limit for water exiting the system, as specified in NSF/ANSI 42 and 53.

Conforms to NSF/ANSI 53 for VOC reduction. See performance data sheet for individual contaminant and reduction performance.

### Model F2000-B2B, F2000-B2M Systems

Substance	Influent Challenge Concentration	Max. Permissible Product Water Concentration	Reduction Requirements	Minimum Reduction	Average Reduction
Standard 42					
Chlorine Taste & Odor	2.0 mg/L ± 10%		≥ 50%		95.9%
Particulates (0.5- <1µM) Class 1*	at least 10,000 particulates/mL		> 85%		97.9%
Standard 53					
Cysts **	Minimum 50,000/L		99.95%	99.97%	99.99%
Atrazine	0.009 mg/L ± 10%	0.003 mg/L		90.5%	93.7%
Lead (pH 6.5)	0.15 mg/L ± 10%	0.010 mg/L		99.3%	99.9%
Lead (pH 8.5)	0.15 mg/L ± 10%	0.010 mg/L		99.3%	99.6%
Lindane	0.002 mg/L ± 10%	0.0002 mg/L		94.8%	97.4%
Chloroform (VOC surrogate chemical)	0.300 mg/L ± 10%	0.015 mg/L		96.5%	98.8%
Perfluorooctanoic Acid (PFOA) and Perfluorooctane Sulfonate (PFOS)	0.0015 mg/L ± 10%	0.00007 mg/L		96.27%	98.06%

Flow Rate = 0.6 gpm (2.2 L/min); Capacity = 675 gallons (2555 L) or 12 months

Testing was performed under standard laboratory conditions, actual performance may vary.

\* Reduces particles as small as 0.5-1 micron in size by mechanical means

\*\* NSF/ANSI Standard 53 certified to reduce cysts such as *Cryptosporidium* and *Giardia* by mechanical means.



The Models F2000-B2B and F2000-B2M are Tested and Certified by NSF International against NSF/ANSI Standard 42, 53, and CSA B483.1 for the reduction of substances specified on the Performance Data Sheet.



The models F2000-B2B and F2000-B2M are certified by IAPMO R&T against NSF/ANSI 53 for the reduction of perfluorooctanoic acid (PFOA) and perfluorooctane sulfonate (PFOS).

EPA Est 082989-CHN-001

## ESPECIFICACIONES

Gama de Temperatura: ..... 40-100 °F (4.4-37.8 °C)  
Gama de presión:.....40-100 psi (2.75-6.89 bares)  
Caudal de servicio a 60 psi (4.1 bares):  
Modelo: F2000-B2B ..... 0.6 gpm (2.27 L/min)  
Modelo: F2000-B2M ..... 0.6 gpm (2.27 L/min)  
Vida útil nominal:  
Modelo: F2000-B2B ..... 675 galones (2555 L)  
Modelo: F2000-B2M ..... 675 galones (2555 L)  
Dimensiones:.....12.5" x 8" x 5.25"  
(317mm x 203mm x 133mm)  
  
Peso:  
Modelo: F2000-B2B (solo sistema)..... 4.5 lbs (2 kg)  
Modelo: F2000-B2M (solo sistema)..... 4.5 lbs (2 kg)

## PIEZAS INCLUIDAS

- Sistema de filtro con cartuchos
- Kits de tornillería de instalación
- Llave de agua potable sin plomo
- Tubería de plástico de 3/8" (blanca y azul)

## PRECAUCIONES

**⚠ WARNING:** No se debe utilizar con agua microbiológicamente insegura o de calidad desconocida sin la desinfección adecuada previa o posterior al paso por el sistema. Los sistemas certificados para la reducción de quistes pueden usarse en aguas desinfectadas que pudieran contener quistes filtrables. Unidad de reducción química y mecánica.

**⚠ CAUTION** Se debe proteger el sistema contra el congelamiento para evitar la rotura del filtro y fugas de agua.

### NOTA:

- Para uso únicamente con agua fría.
- Asegúrese de que la instalación cumple con todas las leyes y normas estatales y locales.
- Se debe mantener el sistema según las recomendaciones del fabricante, incluyendo el reemplazo de los cartuchos de filtro. Los contaminantes u otras sustancias que el cartucho seleccionado elimina o reduce no están necesariamente presentes en su agua. Pida a su servicio de agua municipal una copia de su análisis de agua, o pida un análisis de su agua a un laboratorio de pruebas de agua de buena reputación.
- Luego de períodos prolongados sin uso, como por ejemplo durante las vacaciones, se recomienda enjuagar el sistema a fondo. Deje correr el agua durante 5 o 6 minutos antes de usar.
- Los cartuchos de filtro que utiliza este sistema tienen una vida útil limitada. Los cambios en el sabor, olor o flujo del agua filtrada indican que el cartucho de filtro debe ser reemplazado.

## ADVERTENCIA RELACIONADA CON LA PROPUESTA 65 DE CALIFORNIA

**⚠ WARNING:** Este producto contiene productos químicos de los cuales el estado de California sabe causan cáncer o anomalías congénitas u otros daños reproductivos.

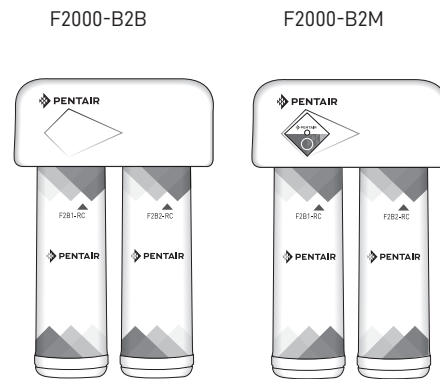
## HERRAMIENTAS Y MATERIALES REQUERIDOS

- Gafas de seguridad
- Llave ajustable
- Cortatubos o navaja multiuso
- Taladro de mano o eléctrico (se recomienda inalámbrico)
- Lima
- Broca de 1/4"

Si el fregadero no tiene orificio para una llave separada:

- Punzón
- Broca o sacabocados de 3/4"
- Broca de 3/32"

## SECUENCIA DE CARTUCHO



# INSTALACIÓN

## NOTA:

- Para la instalación estándar bajo el fregadero con roscas de 1/2"-14 NPS o de compresión de 3/8" x 3/8"
- Lea todas las instrucciones y precauciones antes de instalar y usar su sistema de filtración.
- Los diagramas numerados corresponden a los pasos numerados.

### 3. Cómo instalar el adaptador de suministro de agua

El adaptador de suministro es para roscas 1/2"-14 NPS o de compresión de 3/8" x 3/8". Si los códigos locales lo permiten, puede utilizarse para conectar el sistema a la tubería de agua fría. Si los códigos locales no permiten el uso del adaptador de suministro, sus proveedores locales pueden facilitar conectores alternativos.

- H. Cierre la tubería de suministro de agua fría. Si la tubería de agua fría no tiene una llave de paso bajo el fregadero, deberá instalar una.
- I. Abra la llave de agua fría y permita que se desagüe toda el agua de la tubería.
- J. Desconecte la válvula de suministro de agua fría del tubo vertical.
- K. Asegúrese de que la junta selladora esté completamente asentada en la rosca hembra de la válvula del adaptador de alimentación.
- L. Instale la válvula del adaptador de alimentación sobre la válvula de suministro. Apriete a mano exclusivamente.
- M. Conecte el tubo vertical a la válvula del adaptador de alimentación.

**NOTA:** Vea las Figuras 1G-1H para configurar el adaptador de alimentación a conexiones de compresión de 3/8" x 3/8".

### 4. Selección de la ubicación de la llave de agua

**NOTA:** Se debe prever la funcionalidad, la conveniencia y el aspecto de la llave de agua potable antes de su colocación. Se necesita una superficie plana adecuada de modo que la base de la llave de agua se asiente firmemente. La llave calza a través de un orificio de 3/4". La mayoría de los fregaderos tienen orificios de 1-3/8" o 1-1/2" de diámetro previamente perforados que se pueden utilizar para instalar la llave de agua. Si no se pueden usar estos orificios o están en una ubicación inconveniente, será necesario perforar un orificio de 3/4" de diámetro en el fregadero para acomodar la llave de agua.

**CAUTION** Este procedimiento puede producir polvo que puede causar una irritación grave si se aspira o entra en contacto con los ojos. Se recomienda llevar anteojos de seguridad y un respirador durante este procedimiento.

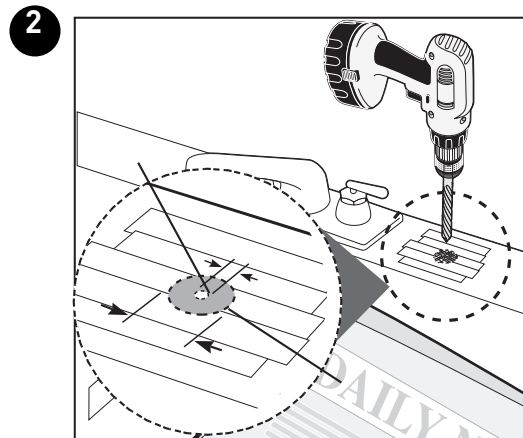
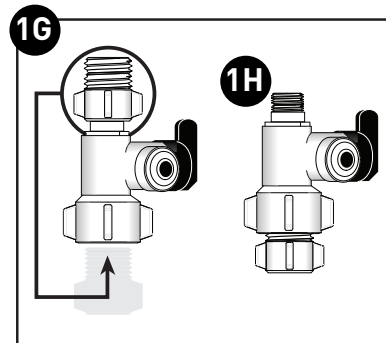
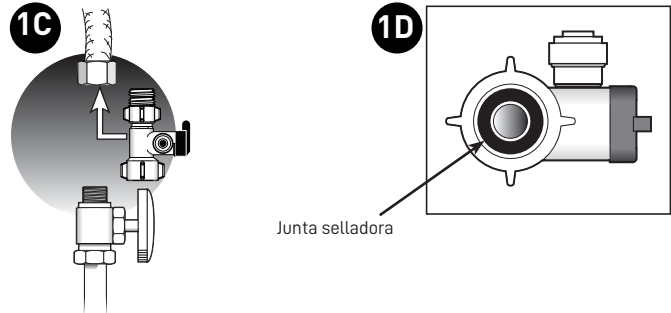
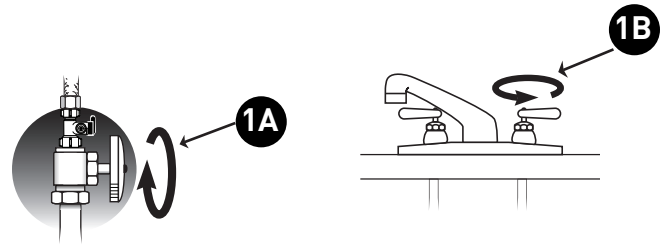
**CAUTION** NO TRATE DE PERFORAR UN FREGADERO HECHO TOTALMENTE DE PORCELANA. Si tiene un fregadero hecho totalmente de porcelana, monte la llave de agua en el orificio previamente perforado para el rociador o perfore un orificio en la cubierta adyacente al fregadero.

**CAUTION** Cuando perfore a través de la cubierta, asegúrese de que no haya cables ni tuberías debajo del área donde se hará la perforación. Asegúrese de que tenga un amplio espacio para hacer las conexiones adecuadas en la parte inferior de la llave de agua.

**CAUTION** No perfore a través de una cubierta de un espesor mayor a 1".

**CAUTION** No trate de perforar a través de cubiertas de azulejo, mármol, granito o materiales similares. Consulte con un plomero o con el fabricante de la cubierta para obtener consejos o asistencia.

- A. Cubra el fondo del fregadero con papel de periódico para



## INSTALACIÓN - CONTINUACIÓN

impedir que caigan al drenaje virutas metálicas, piezas o herramientas.

- B. Coloque cinta de enmascarar sobre el área que se va a perforar para ayudar a evitar rayones si la broca del taladro se resbala.
- C. Marque el orificio con un punzón de marcar. Use una broca de 1/4" para hacer un orificio de guía.
- D. Use una broca de 3/4" para perforar un orificio de un lado a otro del fregadero.
- E. Alise los bordes ásperos con una lima.

### 5. Colocación de la llave de agua

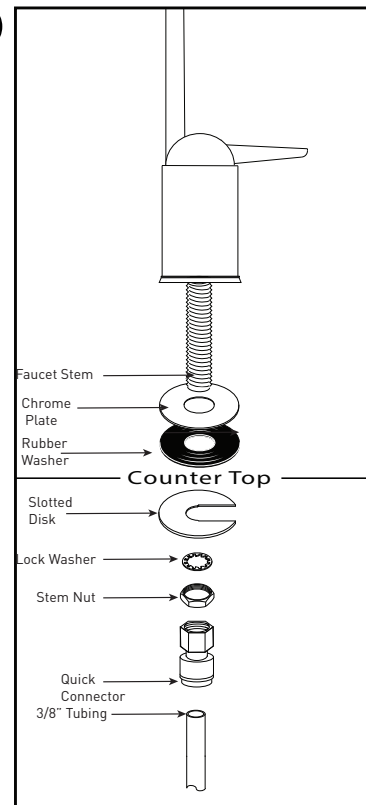
- A. Aplique 3-5 vueltas de cinta de teflón al vástago de la llave.
- B. Arme la llave como se muestra en la Figura 3.
- C. Atornille el conector rápido en el extremo roscado del vástago de la llave.
- D. Ponga una marca a 5/8" del extremo de la tubería azul. Moje el extremo del tubo de 3/8" y empuje al interior del conector. La marca de 5/8" deberá estar al ras con el collarín del conector.

**NOTA: Para retirar el tubo, empuje el collarín de la conexión y jale el tubo.**

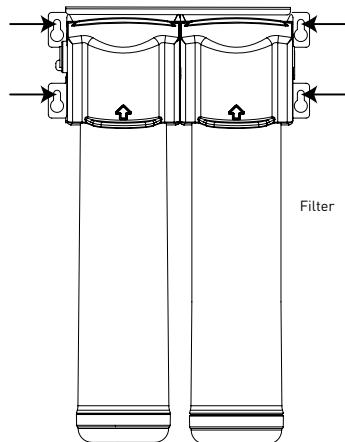
- E. Sosteniendo la llave, pase la tubería a través del orificio en el fregadero. Ponga la empuñadura de la llave en una ubicación deseada.
- F. Centre la llave y deslice el disco ranurado entre la parte inferior de la cubierta o fregadero y la contratuerca. Apriete la tuerca de vástago con una llave hasta que quede apretada.
- G. Inserte firmemente la boca en la base de la llave.

### 6. Cómo montar el sistema

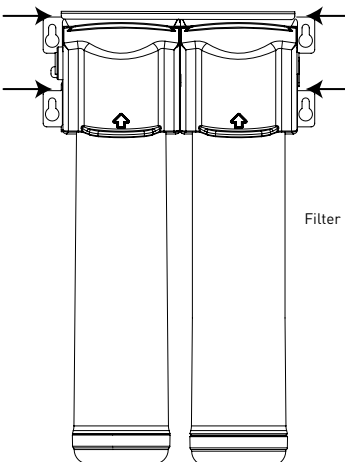
3



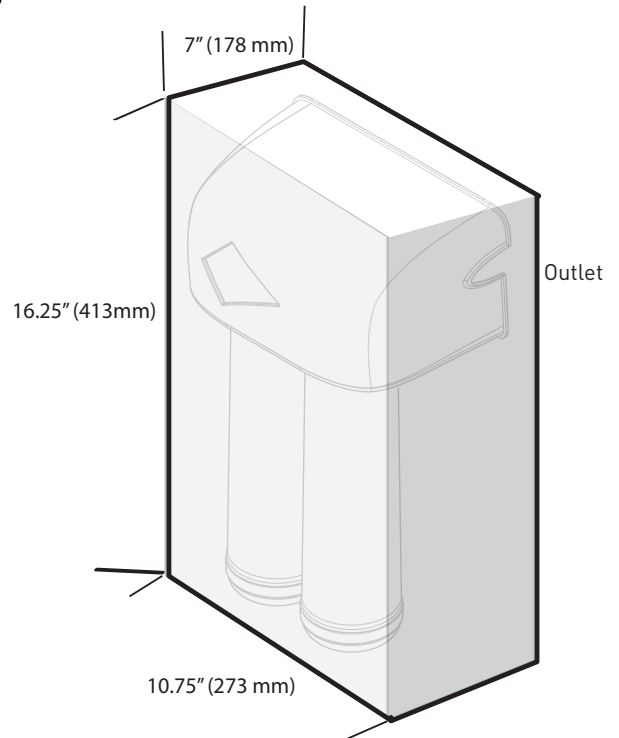
4b



4c



4a



## INSTALACIÓN - CONTINUACIÓN

- A. Seleccione una ubicación bajo el fregadero, u otra área adecuada en la que se instalará el sistema.

**NOTA: Se puede usar el cartón del sistema para determinar la huella de operación que se requiere para la instalación del sistema y los cartuchos de repuesto. (Figura 4a)**

- B. Monte el sistema verticalmente. Asegúrese de que la montura esté al ras. Ponga una marca con lápiz en las ranuras superiores de los orificios de los soportes de montaje. (Figura 4b). Opción de montaje alternativa: Si está montando el sistema cerca del piso, ponga las marcas con lápiz encima de cada uno de los orificios de montaje en el soporte para asegurar que haya suficiente espacio debajo del cartucho y el piso para el reemplazo del cartucho (Figura 4c). Use la broca de 3/32" para crear orificios de guía para el montaje.

**El sistema se deberá montar en una superficie sólida y firme que pueda apoyar el peso del sistema.**

### **⚠ WARNING:**

#### **7. Conexión de la llave de agua al sistema**

- A. Determine la longitud de la tubería azul de plástico que se necesita para conectar al lado de la salida (derecho) del filtro desde la llave. Asegúrese de dejar suficiente tubería para evitar retorcimientos y corte el tubo en ángulo recto. Use un marcador para marcar un extremo de la tubería a 5/8" del extremo (Figura 5). Moje el extremo del tubo de 3/8" y empújelo a la conexión de salida (derecha) del sistema hasta la marca.

**CAUTION** No doble ni engarce el tubo que está insertando.

- B. Jale levemente del tubo para corroborar que esté correctamente conectado.

#### **8. Cómo conectar el adaptador de suministro**

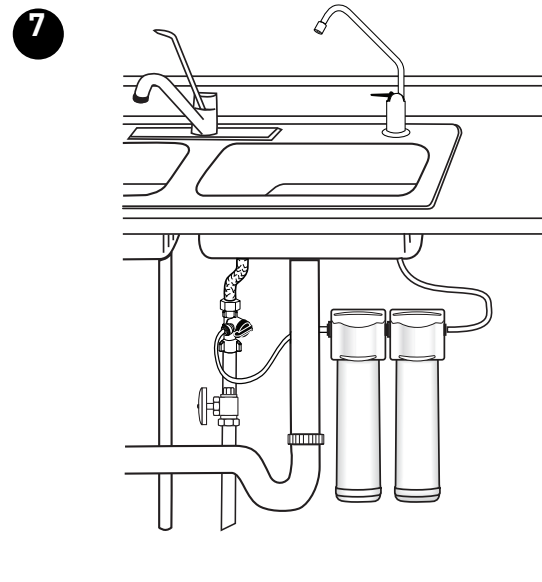
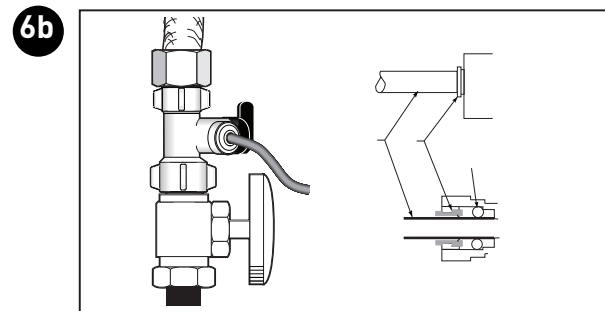
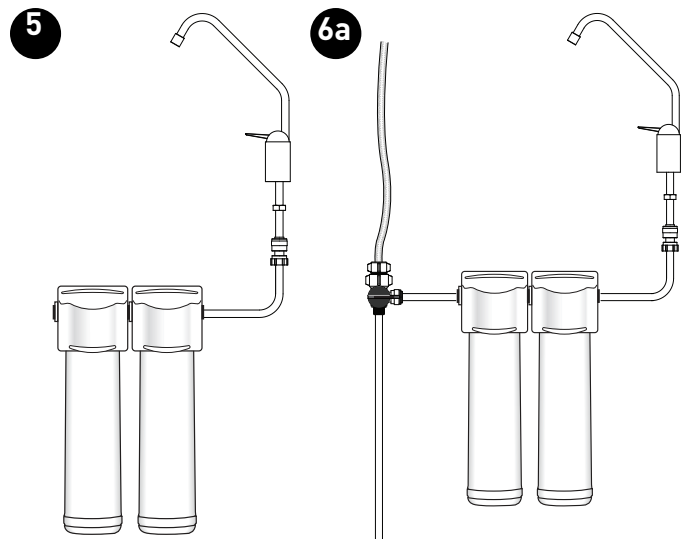
- A. Determine la longitud de tubería blanca de plástico necesaria para conectar el lado de entrada (izquierdo) del filtro con el adaptador de alimentación instalado en la línea de suministro de agua fría. Asegúrese de dejar suficiente tubería para evitar retorcimientos y corte el tubo en ángulo recto. Ponga una marca a 5/8" del extremo de la tubería. Moje el extremo de la tubería. Inserte el extremo de la tubería en la conexión de 3/8" del adaptador de suministro de entrada. La marca de 5/8" deberá estar al ras con el collarín de la conexión ubicada en el adaptador de suministro de entrada (Figura 6a).
- B. Marque el extremo restante de la tubería. Use un marcador para hacer una marca a 5/8" desde el extremo. Moje el extremo del tubo. Inserte el extremo en las conexiones de alimentación en el lado de entrada (izquierdo) del sistema. El tubo deberá llegar hasta la marca. (Figura 6b).

#### **9. Cómo poner en funcionamiento el sistema**

- A. Active lentamente el suministro de agua fría. Asegúrese de que la válvula del adaptador de alimentación también esté abierta.
- B. Abra la llave y enjuague el sistema 10 minutos. Deseche el agua.
- C. Verifique que no haya fugas en ninguna conexión antes de dejar la instalación. Si las hay, consulte la sección Resolución de problemas.

**NOTA: Los cartuchos para agua potable pueden contener restos de carbón (polvo negro muy fino). Si aparecen finos de carbón en el agua, deseche el agua. Se necesita más enjuague si hay presentes finos de carbón.**

**NOTA: En un primer momento, el agua filtrada puede parecer turbia. Si la turbidez en un vaso de agua desaparece desde el fondo, hay presentes burbujas de aire finas. Este aire en el seno del agua desaparecerá en unas cuantas semanas después de la instalación.**



AHORA LA INSTALACIÓN ESTÁ COMPLETA.

## REEMPLAZO DEL CARTUCHO DE FILTRO

**NOTA:** La vida útil de los cartuchos de filtro depende del volumen de agua usado y la calidad del agua de alimentación. Se recomienda que los cartuchos de filtro se reemplacen cada 6 a 12 meses, o cuando haya un cambio apreciable en sabor, olor o flujo del agua filtrada.

### Asegúrese de comprar el juego de cartucho correcto para el sistema.

El modelo F2000-B2B y el F2000-B2M usan el juego de cartucho de repuesto F2B2-RC2

#### 10. Reemplazo del cartucho

- A. Desfogue la presión al girar el suministro de agua al sistema y abrir una llave hasta que cese el flujo de agua. Ponga una cubeta o una toalla bajo el sistema para captar el goteo de agua que pudiera haber (Figura 8a).
- B. Retire la cubierta y levante la barra de bloqueo hasta que el cartucho de filtro se separe del conjunto de la cabeza del filtro (Figura 8b).
- C. Jale el cartucho para separarlo del conjunto de la cabeza del filtro (Figura 8c).
- D. Asegúrese de que la barra de bloqueo esté por completo en la posición arriba (Figura 8c).
- E. Alinee los postes en el cartucho de filtro con los puertos en el conjunto de la cabeza del filtro. Deslice el filtro de cartucho hacia adentro del conjunto de la cabeza del filtro y engarce con la barra de bloqueo haciendo que caiga hacia adelante y hacia abajo. (Figura 8d).
- F. Jale la barra de bloqueo hacia abajo hasta que se inserte en su lugar (Figura 8e).
- G. Instale la cubierta.

**NOTA:** Consulte los siguientes pasos en la sección **Cómo poner en funcionamiento el sistema**.

## RESOLUCIÓN DE PROBLEMAS

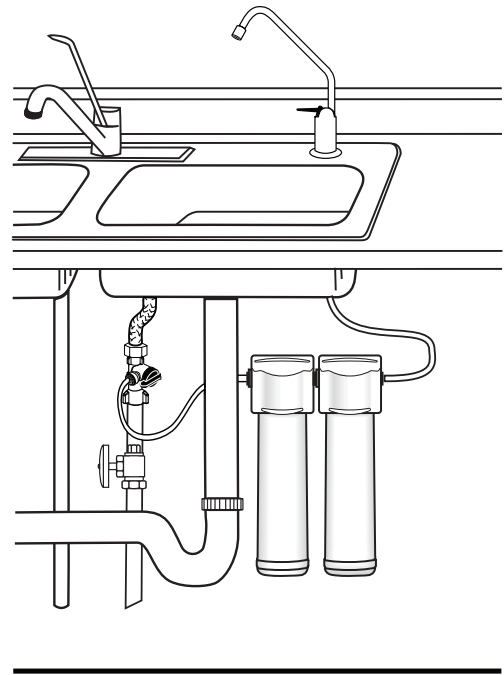
### Fugas entre el conjunto de la cabeza del filtro y el cartucho de filtro

1. Desfogue la presión al girar el suministro de agua al sistema y abrir la llave hasta que cese el flujo de agua. Ponga una cubeta o una toalla bajo el sistema para captar el goteo de agua que pudiera haber.
2. Retire el cartucho e inspeccione las juntas tóricas para asegurarse de que estén asentadas y limpias.
3. Instale el cartucho de filtro. Ponga el sistema en funcionamiento y revise si hay fugas. Si las fugas persisten, cierre el suministro de agua y comuníquese con Asistencia Técnica al 1-800-279-9404.

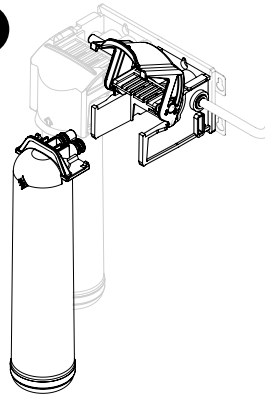
### Fugas de conexiones de tubería

1. Desfogue la presión al girar el suministro de agua al sistema y abrir la llave hasta que cese el flujo de agua. Ponga una cubeta o una toalla bajo el sistema para captar el goteo de agua que pudiera haber.
2. Oprima la presilla en el sistema o las conexiones de tubería del adaptador de suministro de entrada y jale la tubería de la conexión. Inspeccione la superficie de la tubería en busca de raspones o suciedad. Limpie o corte la tubería para tener acceso a una superficie limpia.
3. Moje el extremo de la tubería de entrada y presiónelo hacia el interior de la conexión de entrada del sistema. Asegúrese de que la tubería se haya oprimido por completo más allá de las juntas tóricas de la conexión. Ponga el sistema en funcionamiento y revise si hay fugas. Si las fugas persisten, cierre el suministro de agua y comuníquese con Asistencia Técnica al 1-800-279-9404.

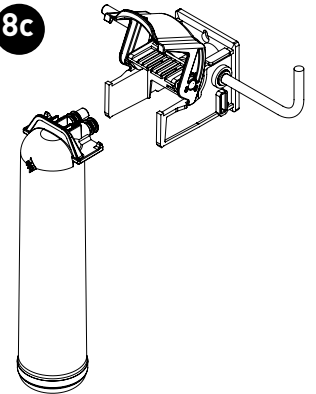
8a



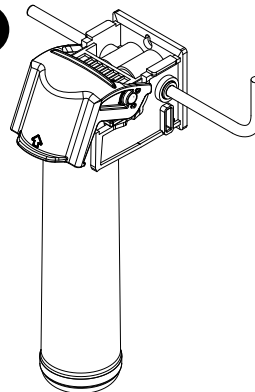
8b



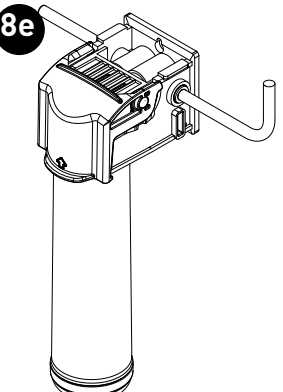
8c



8d



8e



# PROCEDIMIENTO DE TEMPORIZADOR DE CARTUCHO

## TEMPORIZADOR DE CARTUCHO DE FILTRO

(SOLO SISTEMAS MONITOREADOS)

El temporizador de cartucho de filtro se puede instalar en la cubierta decorativa del sistema al retirar el respaldo adhesivo en la placa metálica incluida con el temporizador de cartucho. El temporizador también se puede fijar a una superficie magnética metálica usando el imán que está instalado de fábrica en el temporizador de cartucho.

### INSTALACIÓN Y ACTIVACIÓN

Una vez que se seleccionó la ubicación de la instalación, active el temporizador al tirar de la pestaña de plástico que está en el lado del temporizador. Oprima y suelte la tecla para verificar que la batería está funcionando. La luz destellará en verde tres veces. (Figura 9a)

**NOTA:** El temporizador funciona con un calendario de doce meses. El temporizador usa una batería 2023 tipo moneda.

### El temporizador del cartucho de filtro está funcionando

#### Funcionamiento

1. El temporizador comenzará a destellar en rojo una vez cada tres minutos después de 11 meses, y a destellar en rojo tres veces cada tres minutos después de 12 meses. (Figura 9b)

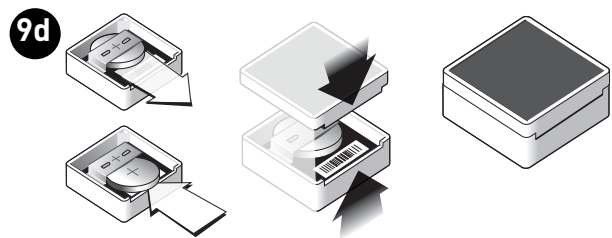
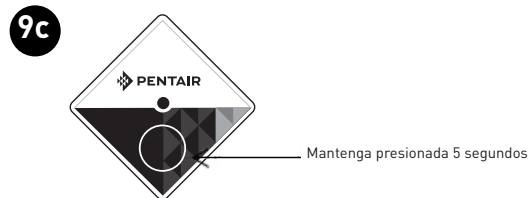
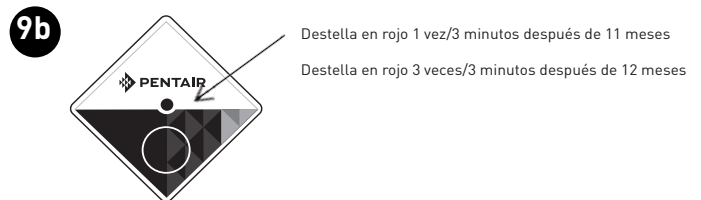
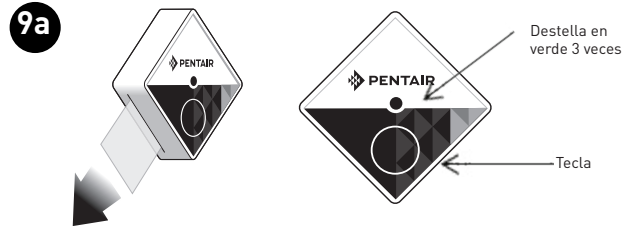
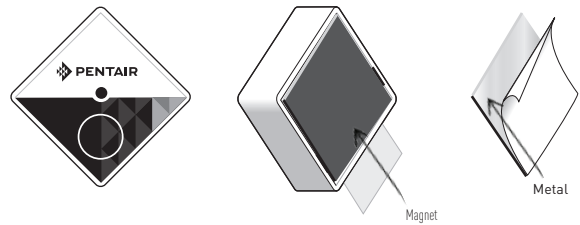
**NOTE:** El estado del temporizador de la vida de cartucho también se puede ver inmediatamente al oprimir y liberar la tecla.

#### Restablecer el temporizador

1. Para restablecer el temporizador después del reemplazo del cartucho de filtro, oprima la tecla y manténgala oprimida durante 5 segundos. El temporizador se restablece ahora a 12 meses. (Figura 9c)

#### Reemplazo de la batería

1. Reemplace la batería cada 12 meses. Para reemplazar la batería, ubique la ranura en el costado del cuerpo del temporizador y retire con cuidado la parte frontal del temporizador. Ahora se tiene acceso a la batería. (Figura 9d)
2. Deslice la nueva batería bajo el soporte de retención de batería con el lado positivo (+) de la batería viendo hacia arriba, hacia el soporte de retención de la batería. Alinee la pestaña del temporizador con la ranura en la parte frontal del temporizador y oprima las mitades del temporizador una contra otra. El reemplazo de la batería no restablecerá el temporizador de 12 meses. Si se necesita restablecer, mantenga presionada la tecla durante 5 segundos.

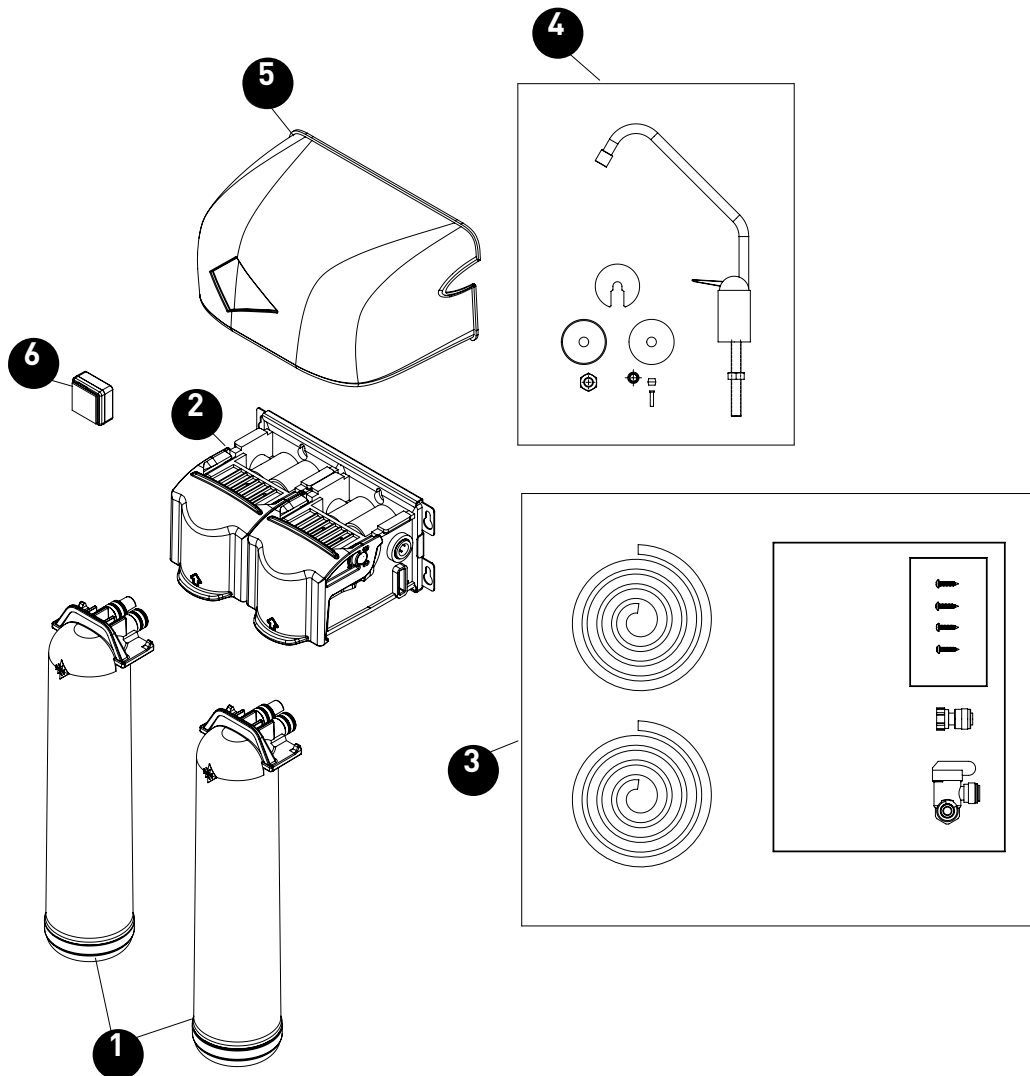




# PIEZAS DE REPUESTO

NÚMERO DE ARTÍCULO	NÚMERO DE PIEZA	DESCRIPCIÓN	CANTIDAD REQUERIDA
1	655126-96	Juego de cartucho, F2B2-RC2	1
2	4004603	Cabeza del filtro, modelo F2000-B2B	1
	4004605	Cabeza del filtro, modelo F2000-B2M	1
3	4003596	Juego de instalación, etapa 2 y 3	1
4	244960*	Llave de agua	1
5	4004918	Cubierta, etapa 2	1
6	4003641	Temporizador de cartucho	1

\* La imagen puede ser diferente de la llave real



Para obtener piezas de repuesto, comuníquese con su distribuidor Pentair más cercano o llame al 800.279.9404

# INFORMACIÓN DE RENDIMIENTO

Aviso importante: Lea los datos sobre rendimiento y compare las capacidades del sistema con sus requisitos reales de tratamiento de agua. Se recomienda que antes de instalar un sistema de tratamiento de agua el agua de suministro se analice, para determinar sus necesidades de tratamiento de agua.

## Condiciones de prueba

Caudal F2000-B2B = 0.60 gpm (2.27 L/min)  
 F2000-B2M = 0.60 gpm (2.27 L/min)

## Capacidad del filtro

F2000-B2B = 675 galones (2555 L)  
 F2000-B2M = 675 galones (2555 L)  
 Presión de entrada = 60 psi (4.1 bar)  
 Temperatura = 68 °F +/- 5 °F (20 °C +/- 2.5 °F)

La prueba se ejecutó en condiciones estándar de laboratorio; el rendimiento en condiciones reales puede variar.  
 Requisitos de operación para sistemas F2000-B2B y F2000-B2M:  
 Presión = 40-100 psi (2.75-6.89 bar)  
 Temperatura = 40-100 °F (4.4-37.8 °C)

## Reducción de reclamaciones por Químicos Organicos incluidos por sustituto pruebas

Substancia	Concentración de provocación de afluente (mg/L)	Agua de producto permisible máxima concentración mg/L
alachlor	0.050	0.001
atrazine	0.100	0.003
benzene	0.081	0.001
carbofuran	0.190	0.01
carbon tetrachloride	0.078	0.0018
chlorobenzene	0.077	0.001
chloropicrin	0.015	0.0002
2,4-D	0.110	0.0017
dibromochloropropane (DBCP)	0.052	0.00002
o-dichlorobenzene	0.080	0.001
p-dichlorobenzene	0.040	0.001
1,2-dichloroethane	0.088	0.0048
1,1-dichloroethylene	0.083	0.001
cis-1,2-dichloroethylene	0.170	0.0005
trans-1,2-dichloroethylene	0.086	0.001
1,2-dichloropropane	0.080	0.001
cis-1,3-dichloropropylene	0.079	0.001
dinoseb	0.170	0.0002
endrin	0.053	0.00059
ethylbenzene	0.088	0.001
ethylene dibromide (EDB)	0.044	0.00002
haloacetonitriles (HAN): bromochloroacetonitrile dibromoacetonitrile dichloroacetonitrile trichloroacetonitrile	0.022 0.024 0.0096 0.015	0.0005 0.0006 0.0002 0.0003
haloketones (HK): 1,1-dichloro-2-propanone 1,1,1-trichloro-2-propanone	0.0072 0.0082	0.0001 0.0003
heptachlor	0.080	0.0004
heptachlor epoxide	0.0107	0.0002
hexachlorobutadiene	0.044	0.001
hexachlorocyclopentadiene	0.060	0.000002
lindane	0.055	0.00001
methoxychlor	0.050	0.0001
pentachlorophenol	0.096	0.001
simazine	0.120	0.004
styrene	0.150	0.0005
1,1,2-tetrachloroethane	0.081	0.001
tetrachloroethylene	0.081	0.001
toluene	0.078	0.001
2,4,5-TP(silvex)	0.270	0.0016
tribromoacetic acid	0.042	0.001
1,2,4-trichlorobenzene	0.160	0.0005
1,1,1-trichloroethane	0.084	0.0046
1,1,2-trichloroethane	0.050	0.0005
trichloroethylene	0.180	0.001
trihalomethanes (includes): chloroform (surrogate chemical) bromoform bromodichloromethane chlorodibromomethane xylenes (total)	0.310 0.070	0.015 0.001

# SISTEMAS F2000-B2B, F2000-B2M INSTALADOS CON JUEGO DE CARTUCHO DE FILTRO F2B2-RC2

Este sistema ha sido analizado de acuerdo con las Normas NSF/ANSI 42 y 53 para la reducción de las sustancias enumeradas a continuación. La concentración de las sustancias indicadas en el agua que entra al sistema se redujo a una concentración menor o igual a los límites permitidos para el agua que sale del sistema, como lo especifican las Normas NSF/ANSI 42 y 53.

Cumple con la Norma NSF/ANSI 53 en cuanto a reducción de COV. Consulte la hoja de información sobre rendimiento para conocer el rendimiento en contaminantes individuales y su reducción.

## Sistemas modelo F2000-B2B, F2000-B2M

Sustancia	Concentración de contaminantes en el agua prefiltrada	Concentración máx. permitida de productos en el agua	Necesidad de reducción	Reducción mínima	Reducción promedio
Norma 42					
Sabor y olor a cloro	2.0 mg/L ± 10%		≥50%		95.9%
Partículas (0.5- <1µM) Clase 1*	al menos 10,000 partículas/mL		>85%		97.9%
Norma 53					
Quistes**	Mínimo 50,000/L		99.95%	99.97%	99.99%
Atracina	0.009 mg/L ± 10%	0.003 mg/L		90.5%	93.7%
Plomo (pH 6.5)	0.15 mg/L ± 10%	0.010 mg/L		99.3%	99.9%
Plomo (pH 8.5)	0.15 mg/L ± 10%	0.010 mg/L		99.3%	99.6%
Lindano	0.002 mg/L ± 10%	0.0002 mg/L		94.8%	97.4%
Cloroformo (químico sustituto de COV)	0.300mg/L ± 10%	0.015 mg/L		96.5%	98.8%
Ácido Perfluorooctanoico (PFOA) y Sulfonato de Perfluorooctano (PFOS)	0.0015mg/L ± 10%	0.00007 mg/L		96.27%	98.06%

Caudal = 0.6 gpm (2.2 L/min); Capacidad = 675 galones (2555 L) o 12 meses

La prueba se ejecutó en condiciones estándar de laboratorio; el rendimiento en condiciones reales puede variar.

\* Reduce las partículas pequeñas, hasta de 0.5-1 micrones por medios mecánicos

\*\*Con certificado de la Norma 53 de NSF/ANSI para reducir los quistes como *Cryptosporidium* y *Giardia* por medios mecánicos



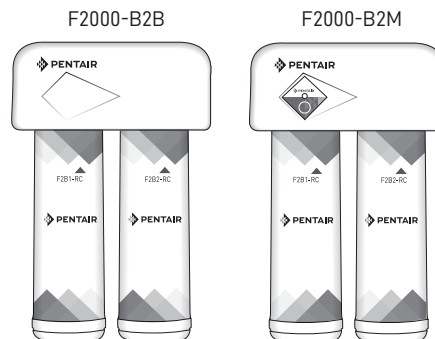
Los modelos F2000-B2B y F2000-B2M están probados y certificados por NSF Internacional bajo las Normas 42 y 53 de NSF/ANSI y B483.1 de CSA en cuanto a la reducción de sustancias especificadas en la Hoja de información sobre rendimiento.



Los modelos F2000-B2B y F2000-B2M están certificados por IAPMO R&T contra NSFANSI 53 para la reducción de ácido perfluorooctanoico (PFOA) y sulfonato de perfluorooctano (PFOS).

N.º de est.de EPA 082989-CHN-001

## SECUENCIA DE CARTUCHO



## SPÉCIFICATIONS

Plage de température : .....4,4 à 37,8 °C (40 à 100 °F)  
Plage de pression : .....2,75 à 6,89 bars (40 à 100 psi)  
Débit de service @ 4,1 bars (60 psi) :  
Modèle F2000-B2B .....2,27 L/min (0,6 gal./min)  
Modèle F2000-B2M .....2,27 L/min (0,6 gal./min)  
Durée de vie utile nominale :  
Modèle F2000-B2B .....2 555 L (675 gallons)  
Modèle F2000-B2M .....2 555 L (675 gallons)  
Dimensions : ..... 317 mm x 203 mm x 133 mm  
(12,5 po x 8 po x 5,25 po)  
Poids :  
Modèle F2000-B2B (système uniquement) ..... 2 kg (4,5 lb)  
Modèle F2000-B2M (système uniquement) ..... 2 kg (4,5 lb)

## PIÈCES COMPRISES

- Système de filtration avec cartouches
- Trousse d'installation
- Robinet d'eau potable sans plomb
- Tuyau en plastique de 3/8 po (blanc et bleu)

## MESURES DE PRÉCAUTION

**⚠ WARNING:** N'utilisez pas le système avec de l'eau insalubre microbiologiquement ou de qualité inconnue sans désinfection adéquate avant ou après le système. Les systèmes homologués pour réduction de spores peuvent être utilisés avec de l'eau désinfectée pouvant contenir des spores filtrables. Dispositif de réduction par action chimique et mécanique.

**CAUTION** Le système doit être protégé contre le gel, qui risque de craqueler le filtre ou de provoquer une fuite.

### NOTE :

- Système traitant uniquement l'eau froide.
- Assurez-vous que l'installation est conforme aux lois et aux règlements d'État et municipaux.
- Le système doit être entretenu conformément aux directives du fabricant, y compris pour le remplacement des cartouches filtrantes. Les contaminants ou autres substances retirées ou réduites par la cartouche choisie ne sont pas forcément présents dans votre eau. Demandez une copie d'analyse d'eau au service de gestion des eaux de la municipalité ou faites tester l'eau par un laboratoire d'analyse de l'eau réputé.
- Après une période prolongée d'inutilisation (comme après des vacances), il est recommandé d'effectuer un bon rinçage du système. Laissez l'eau s'écouler 5 à 6 minutes avant utilisation.
- Les cartouches filtrantes de ce système ont une durée de vie utile limitée. Les changements de goût, d'odeur et de débit de l'eau filtrée indiquent qu'il est nécessaire de remplacer la cartouche.

## AVERTISSEMENT RELATIF

### À LA PROPOSITION 65 DE CALIFORNIE

**⚠ WARNING:** Ce produit contient des produits chimiques considérés par l'État de Californie comme pouvant causer des cancers, des malformations congénitales et d'autres troubles du système reproducteur.

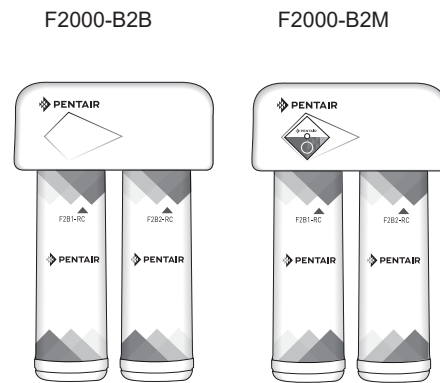
## OUTILS ET MATÉRIEL REQUIS

- Lunettes de sécurité
- Clé ajustable
- Coupe-tube ou couteau universel
- Perceuse à main ou électrique (modèle sans fil recommandé)
- Lime
- Mèche de 1/4 po

Si l'évier ne comporte pas un trou pour un autre robinet :

- Pointeau
- Mèche de 3/4 po ou scie-cloche
- Mèche de 3/32 po

## SÉQUENCE DES CARTOUCHES



# INSTALLATION

## NOTE :

- Pour une installation standard sous évier sur des conduites de 1/2 po – 14 NPS ou au moyen de raccords à compression de 3/8 po x 3/8 po
- Veuillez lire toutes les directives et prendre toutes les précautions nécessaires avant d'installer et d'utiliser votre système de filtration.
- Les schémas numérotés correspondent aux étapes à suivre.

### 3. Installation de l'adaptateur d'arrivée d'eau

L'adaptateur d'arrivée d'eau s'installe sur des conduites de 1/2 po – 14 NPS ou des raccords à compression de 3/8 po x 3/8 po. Si les codes locaux le permettent, il peut être utilisé pour raccorder le système à la conduite d'alimentation en eau froide. Si les codes locaux ne permettent pas l'utilisation de l'adaptateur d'arrivée d'eau, vous pouvez vous procurer d'autres raccords auprès de votre fournisseur local.

- H. Coupez l'alimentation en eau froide. S'il n'y a pas sous l'évier de robinet permettant de couper l'alimentation en eau froide, vous devriez en installer un.
- I. Ouvrez le robinet d'eau froide et laissez l'eau s'écouler complètement de la conduite.
- J. Retirez le robinet d'alimentation en eau froide de la conduite verticale.
- K. Assurez-vous que le joint d'étanchéité est complètement inséré dans le filetage femelle de l'adaptateur d'arrivée.
- L. Installez l'adaptateur sur le robinet d'alimentation. Serrez à la main seulement.
- M. Raccordez la conduite verticale à l'adaptateur d'arrivée.

**NOTE :** Reportez-vous aux figures 1G et 1H pour le raccordement de l'adaptateur d'arrivée à des raccords à compression de 3/8 po x 3/8 po.

### 4. Choix de l'emplacement du robinet

**NOTE :** L'emplacement du robinet d'eau potable doit être choisi en tenant compte du fonctionnement, du côté pratique et de l'aspect esthétique. Trouvez une surface plane adéquate pour que la base du robinet repose à plat de façon stable. Le robinet s'insère dans un orifice de 3/4 po. La plupart des éviers comportent des trous de 1 po 3/8 ou de 1 po 1/2 qui peuvent servir à l'installation du robinet. Si ces trous ne peuvent pas servir à l'installation ou s'ils se trouvent à un endroit peu commode, il sera nécessaire de percer un trou d'un diamètre de 3/4 po dans l'évier pour recevoir le robinet.

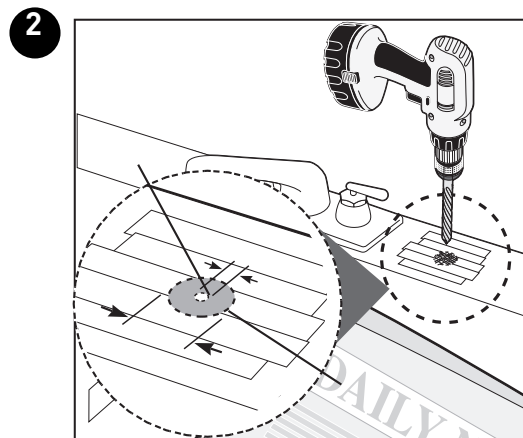
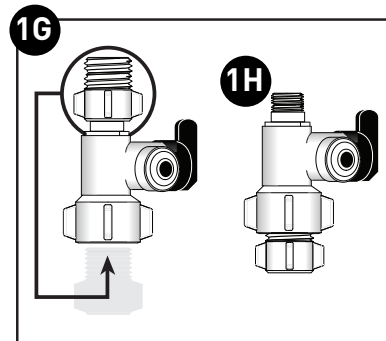
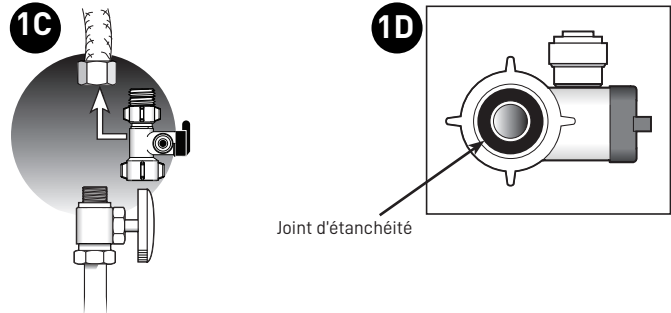
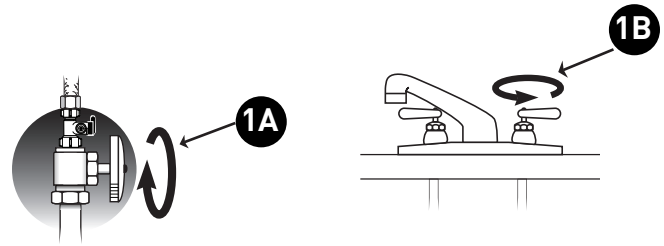
**CAUTION** Cette procédure produit de la poussière qui risque de provoquer de l'irritation en cas d'inhalation ou de contact avec les yeux. Le port de lunettes de sécurité et d'un appareil de protection respiratoire est recommandé pour cette procédure.

**CAUTION** NE PAS TENTER DE PERCER UN ÉVIER ENTIÈREMENT FAIT DE PORCELAIN. Si vous avez un évier fait entièrement de porcelaine, montez le robinet sur le trou déjà perforé destiné à la douchette ou percez le comptoir à proximité de l'évier.

**CAUTION** Avant de percer un comptoir, vérifiez s'il n'y a aucun fil ni tuyau sous la zone à percer. Vérifiez si l'espace est suffisant pour faire les raccords nécessaires sous le robinet.

**CAUTION** Ne percez pas un comptoir dont l'épaisseur est supérieure à 2,54 cm (1 po).

**CAUTION** Ne tentez pas de percer un trou dans un comptoir de carreaux de céramique, de marbre, de granite ou fait dans un matériau similaire. Pour obtenir des conseils ou de l'aide, adressez-vous à un plombier ou au fabricant du comptoir.



## INSTALLATION (SUITE)

- A. Déposez du papier journal au fond de l'évier pour éviter que des copeaux de métal, des pièces ou des outils tombent dans la bonde de l'évier.
- B. Collez du ruban-masque sur la surface à percer pour éviter les éraflures si la mèche de perceuse glisse.
- C. Marquez l'emplacement du trou à l'aide d'un pointeau. Utilisez une mèche de perceuse de 1/4 po pour percer l'avant-trou.
- D. Utilisez une mèche de perceuse de 3/4 po pour percer l'évier de part en part.
- E. Poncez les rebords inégaux à l'aide d'une lime.

### 5. Montage du robinet

- A. Appliquez de trois à cinq couches de ruban pour conduit sur la tige du robinet.
- B. Montez le robinet en suivant les indications de la figure 3.
- C. Vissez le raccord rapide à l'embout fileté de la tige du robinet.
- D. Tracez une marque à 5/8 po de l'extrémité du tuyau bleu. Humectez l'extrémité du tuyau de 3/8 po et poussez-la à l'intérieur de l'extrémité inférieure du raccord. La marque tracée à 5/8 po de l'extrémité doit se trouver vis-à-vis du collier du raccord.

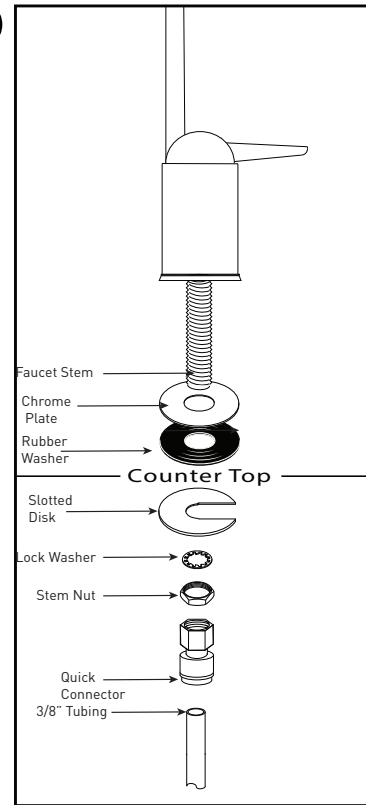
**NOTE : Pour retirer le tuyau, poussez sur le collier du raccord et retirez le tuyau.**

- E. En tenant le robinet, insérez le tuyau à travers le trou dans l'évier. Placez la poignée de robinet à l'endroit désiré.
- F. Centrez le robinet et glissez le disque fendu sous le comptoir ou sous l'évier et la rondelle de blocage. Serrez l'écrou de manœuvre à l'aide d'une clé jusqu'au serrage complet.
- G. Insérez fermement le bec dans la base du robinet.

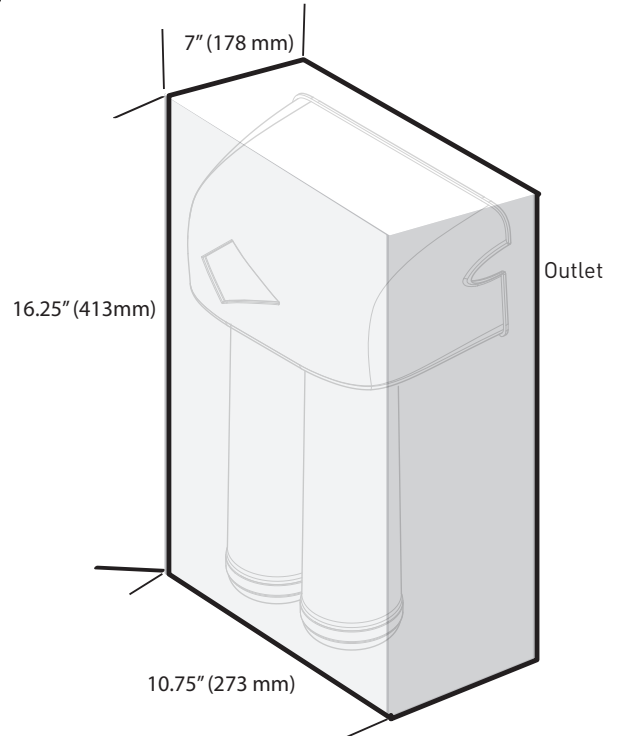
### 6. Montage du système

- A. Choisissez un endroit sous l'évier ou ailleurs où installer le système.

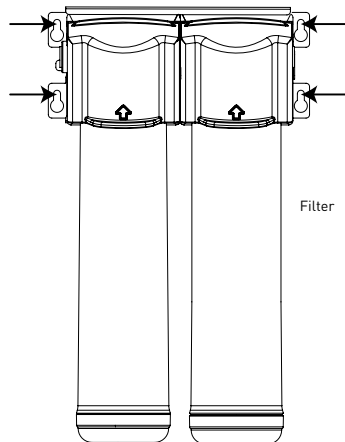
3



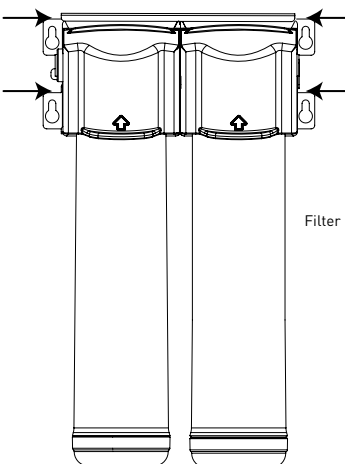
4a



4b



4c



## INSTALLATION (SUITE)

**NOTE :** La boîte contenant le système peut servir à évaluer l'espace nécessaire à l'installation et au remplacement des cartouches (figure 4a).

- B. Montez le système à la verticale. Vérifiez si le montage est de niveau. Tracez une marque au crayon à l'intérieur de la partie allongée des trous de fixation (figure 4b). Autre option de montage : si le système est monté près du sol, tracez les marques au crayon au-dessus des trous de fixation des supports de montage afin de disposer de suffisamment d'espace entre les cartouches et le sol pour effectuer leur remplacement (figure 4c). Utilisez une mèche de 3/32 po pour percer les avant-trous destinés au montage.

**⚠ WARNING:** Le système doit être monté sur une surface dure et solide en mesure de supporter le poids de l'ensemble.

### 7. Raccordement du robinet au système

- A. Calculez la longueur de tuyau de plastique bleu nécessaire pour raccorder la sortie du filtre (à droite) au robinet. Prévoyez une longueur du tuyau suffisante pour éviter son tortillement et taillez le tuyau droit. Utilisez un marqueur pour tracer une ligne à 5/8 po de l'extrémité du tuyau (figure 5). Humectez l'extrémité du tuyau de 3/8 po et poussez-la à l'intérieur du raccord de sortie du système (à droite) jusqu'à la marque.

**CAUTION** Évitez de plier ou de courber le tuyau en l'insérant.

- B. Tirez délicatement sur le tuyau pour vérifier s'il est bien raccordé.

### 8. Raccordement de l'adaptateur d'arrivée d'eau

- A. Calculez la longueur de tuyau de plastique blanc requise pour raccorder l'arrivée du filtre (à gauche) à l'adaptateur raccordé à la conduite d'arrivée d'eau froide. Prévoyez une longueur du tuyau suffisante pour éviter son tortillement et taillez le tuyau droit. Tracez une marque à 5/8 po de l'extrémité du tuyau. Humectez l'extrémité du tuyau. Insérez l'extrémité du tuyau dans le raccord de 3/8 po de l'adaptateur d'arrivée d'eau. La marque tracée à 5/8 po de l'extrémité doit se trouver vis-à-vis du collier du raccord de l'adaptateur d'arrivée d'eau (figure 6a).

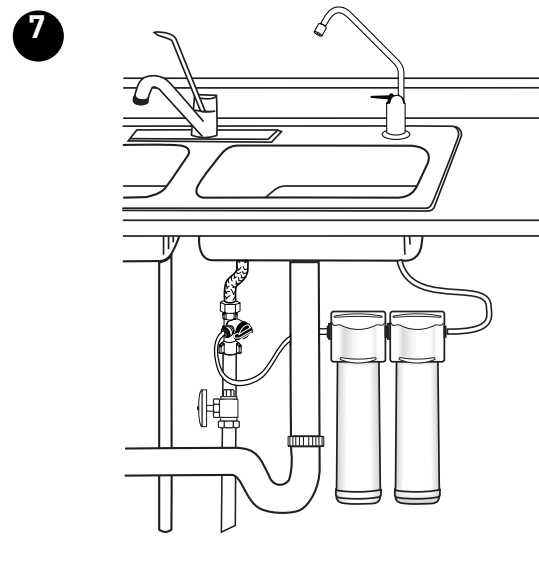
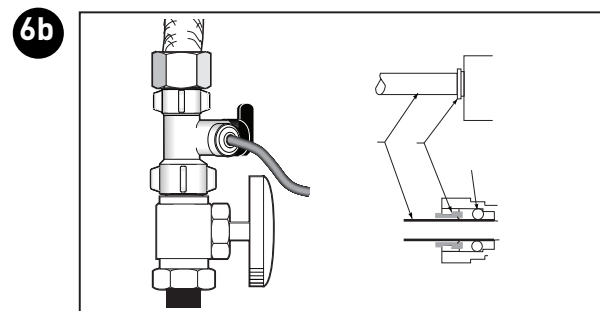
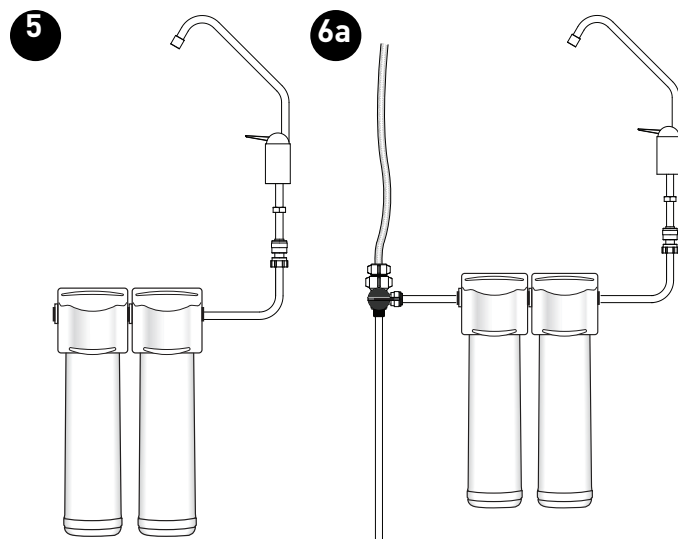
- B. Tracez une marque à l'autre extrémité du tuyau. Utilisez un marqueur pour tracer une ligne à 5/8 po de l'extrémité du tuyau. Humectez l'extrémité du tuyau. Insérez l'extrémité dans le raccord d'alimentation de l'arrivée du système (à gauche). Le tuyau doit être inséré jusqu'à la marque (figure 6b).

### 9. Mise en marche du système

- A. Ouvrez lentement l'arrivée d'eau froide. Vérifiez si l'adaptateur est également ouvert.
- B. Ouvrez le robinet et rincez le filtre 10 minutes. Jetez l'eau.
- C. Vérifiez qu'il n'y a pas de fuites au niveau de tous les raccords avant de terminer l'installation. Si une fuite est visible, consultez la section Dépannage.

**NOTE :** Une cartouche filtrante d'eau potable peut contenir de la poudre de charbon (une fine poudre noire). Si l'eau contient cette poudre, jetez-la. Un rinçage plus prolongé est nécessaire si des résidus sont présents dans l'eau.

**NOTE :** Au départ, l'eau filtrée peut sembler trouble. Si l'eau s'éclaircit au fond du verre, cela signifie qu'elle contient de fines bulles d'air. Les bulles d'air disparaîtront quelques semaines après l'installation.



L'INSTALLATION EST MAINTENANT TERMINÉE.

## REPLACEMENT DE LA CARTOUCHE

## FILTRANTE

**NOTE : La durée de vie utile des cartouches filtrantes dépend du volume d'eau consommé et de la qualité de l'eau d'alimentation. Il est recommandé de remplacer les cartouches filtrantes tous les six à douze mois, ou lorsqu'un changement de goût, d'odeur ou de débit de l'eau filtrée est décelé.**

### Assurez-vous de choisir le jeu de cartouches correspondant au système.

Le jeu de cartouches de rechange F2B2-RC2 est destiné aux modèles F2000-B2B et F2000-B2M.

#### 10. Remplacement d'une cartouche

- A. Faites évacuer la pression en coupant l'arrivée d'eau au système et en ouvrant le robinet jusqu'à ce que l'écoulement d'eau cesse. Placez un seau ou une serviette sous le système pour absorber les gouttes d'eau (figure 8a).
- B. Retirez le couvercle et soulevez la tige de blocage vers le haut jusqu'à ce que la cartouche se dégage de la tête du filtre (figure 8b).
- C. Retirez la cartouche de la tête du filtre (figure 8c).
- D. Assurez-vous que la tige de blocage demeure bien en haut (figure 8c).
- E. Alignez les tiges de la cartouche filtrante vis-à-vis des logements de la tête de filtre. Faites glisser la cartouche filtrante à l'intérieur de la tête du filtre en enclenchant la tige de blocage jusqu'à ce qu'elle s'abaisse vers l'avant (figure 8d).
- F. Abaissez la tige de blocage jusqu'à ce qu'elle s'enclenche (figure 8e).
- G. Remettez en place le couvercle.

**NOTE : Consultez la section Mise en marche du système pour les autres étapes.**

## DÉPANNAGE

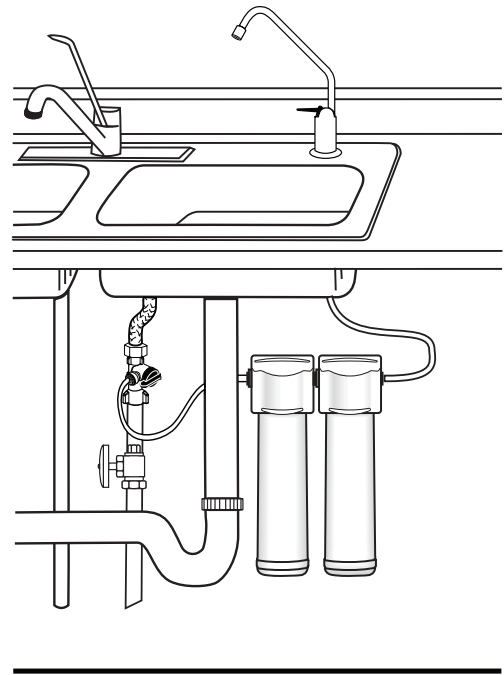
### Fuites entre la tête de filtre et la cartouche filtrante

1. Faites évacuer la pression en coupant l'arrivée d'eau au système et en ouvrant le robinet jusqu'à ce que l'écoulement d'eau cesse. Placez un seau ou une serviette sous le système pour absorber les gouttes d'eau.
2. Retirez la cartouche et vérifiez si les joints toriques sont logés correctement et propres.
3. Installez la cartouche filtrante. Mettez le système en marche et assurez-vous de l'absence de fuite. Si le système continue à fuir, coupez l'alimentation en eau et communiquez avec le soutien technique au 1 800 279-9404.

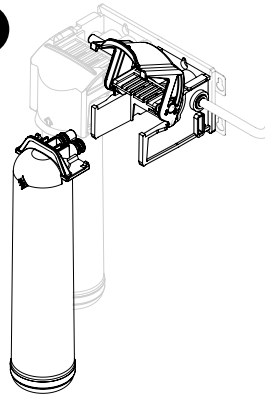
### Fuites aux raccords de tuyau

1. Faites évacuer la pression en coupant l'arrivée d'eau au système et en ouvrant le robinet jusqu'à ce que l'écoulement d'eau cesse. Placez un seau ou une serviette sous le système pour absorber les gouttes d'eau.
2. Abaissez le collier du système ou le raccord de l'adaptateur d'arrivée d'eau et faites glisser le tuyau hors du raccord. Inspectez la surface du tuyau à la recherche d'éraflures ou de saleté. Nettoyez le tuyau ou taillez-le pour que la surface soit propre.
3. Humectez l'extrémité du tuyau d'arrivée et insérez-la dans le raccord d'arrivée du système. Vérifiez si le tuyau est entièrement inséré et qu'il dépasse des joints toriques. Mettez le système en marche et assurez-vous de l'absence de fuite. Si le système continue à fuir, coupez l'alimentation en eau et communiquez avec le soutien technique au 1 800 279-9404.

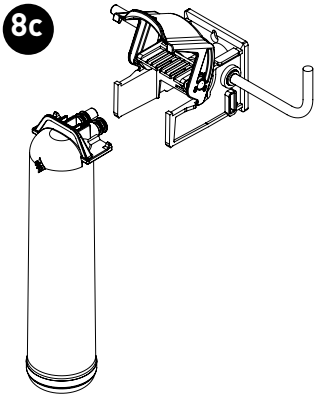
8a



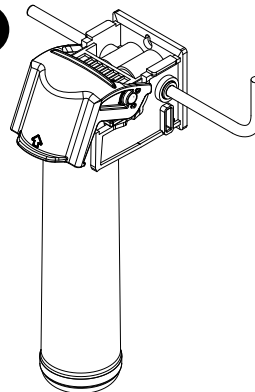
8b



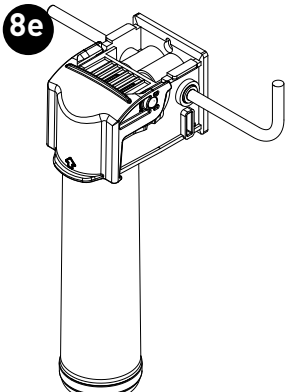
8c



8d



8e



# FONCTIONNEMENT DE LA MINUTERIE DE LA CARTOUCHE

## MINUTERIE DE LA CARTOUCHE FILTRANTE

(SYSTÈMES SOUS SURVEILLANCE UNIQUEMENT)

La minuterie de la cartouche filtrante peut être fixée au couvercle décoratif du système en décollant la bande adhésive de la plaque de métal intégrée à la minuterie de la cartouche. La minuterie peut également être fixée à une surface métallique à l'aide d'un aimant installé en usine sur celle-ci.

## INSTALLATION ET MISE EN MARCHÉ

Une fois le lieu d'installation choisi, mettez en marche la minuterie en détachant la languette de plastique sur la paroi latérale de la minuterie. Pressez le bouton et relâchez-le pour vérifier si la pile fonctionne. Le témoin clignote en vert à trois reprises (figure 9a).

**NOTE : La minuterie fonctionne selon un calendrier de 12 mois. La minuterie utilise une pile bouton de type 2023.**

**La minuterie de la cartouche filtrante est en marche.**

## Fonctionnement

1. La minuterie commencera à clignoter en rouge 1 fois toutes les 3 minutes après 11 mois et 3 fois toutes les 3 minutes après 12 mois (figure 9b).

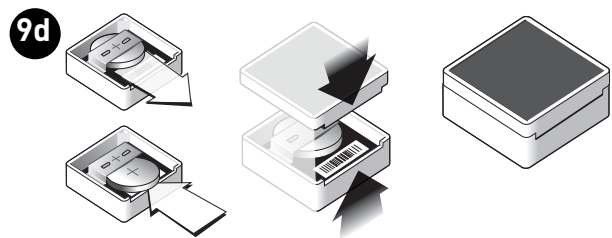
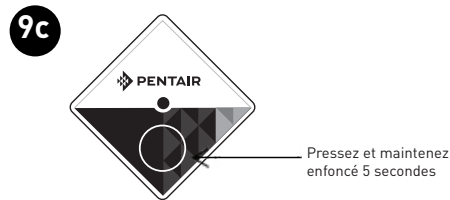
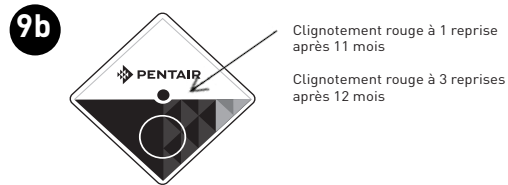
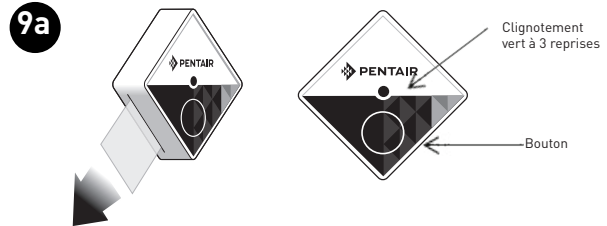
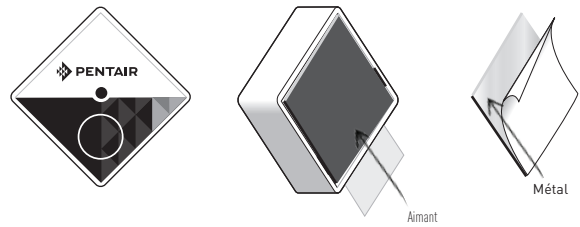
**NOTE: Il est possible de vérifier l'état de la cartouche immédiatement en pressant le bouton et en relâchant.**

## Réinitialisation de la minuterie

1. Pour réinitialiser la minuterie après le remplacement de la cartouche filtrante, pressez la touche et maintenez-la enfoncée 5 secondes. La minuterie est réinitialisée pour une période de 12 mois (figure 9c).

## Remplacement de la pile

1. Remplacez la pile après 12 mois. Pour remplacer la pile, repérez la fente sur la paroi latérale du boîtier de la minuterie et retirez délicatement la partie avant de la minuterie. Il est à présent possible d'accéder à la pile (figure 9d).
2. Insérez la pile dans son logement, côté positif (+) vers le haut. Alignez la patte de la partie arrière de la minuterie vis-à-vis la fente de la partie avant et pressez pour joindre les deux pièces. Le remplacement de la pile ne réinitialisera pas la minuterie pour une période de 12 mois. Si une réinitialisation est requise, pressez le bouton et maintenez-le enfoncé 5 secondes.

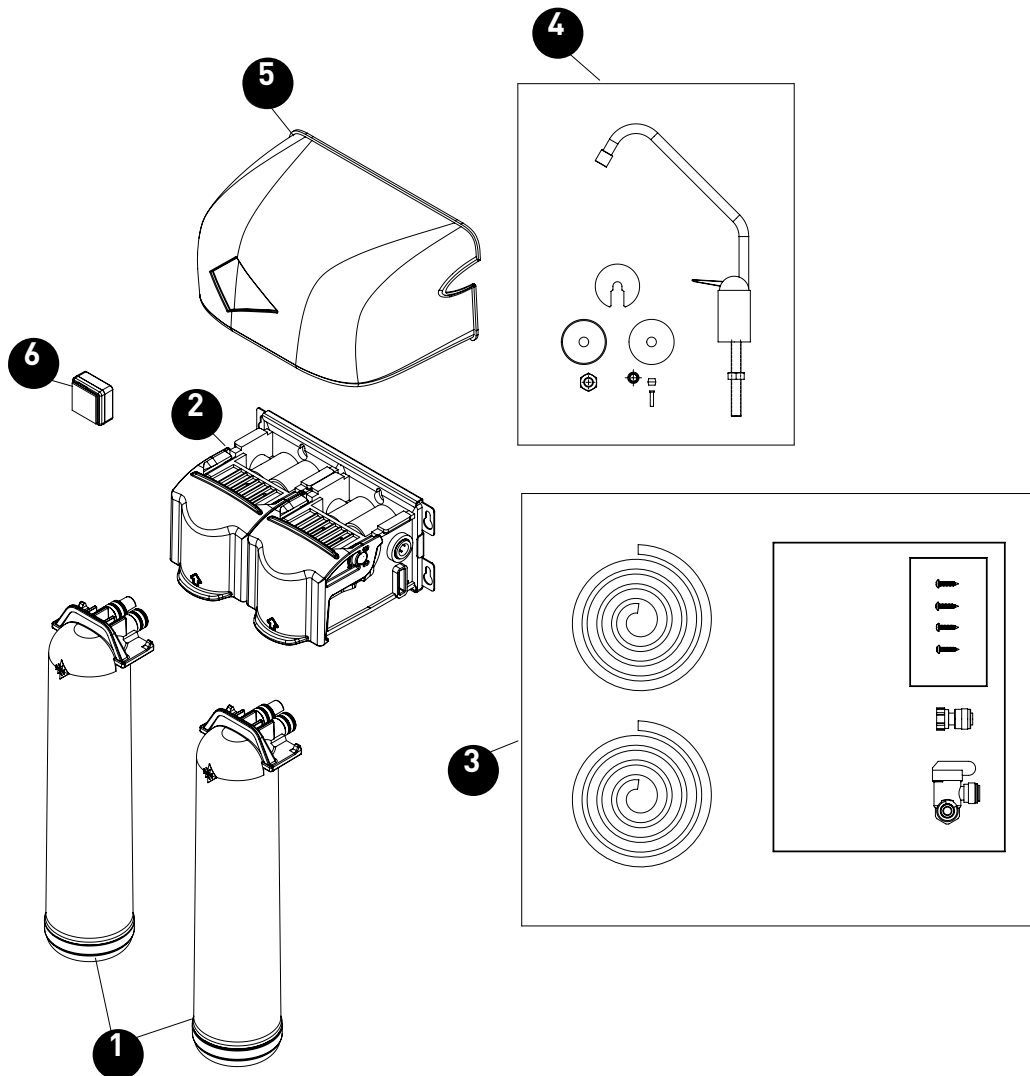




# PIÈCES DE RECHANGE

NUMÉRO D'ARTICLE	NUMÉRO DE PIÈCE	DESCRIPTION	QUANTITÉ REQUISE
1	655126-96	Jeu de cartouches, F2B2-RC2	1
2	4004603	Tête de filtre, modèle F2000-B2B	1
	4004605	Tête de filtre, modèle F2000-B2M	1
3	4003596	Trousse d'installation, 2 et 3 étapes	1
4	244960*	Robinet	1
5	4004918	Couvercle, 2 étapes	1
6	4003641	Minuterie de cartouche	1

\*Le robinet réel peut différer de l'image.



Pour obtenir des pièces de rechange, communiquez avec le distributeur Pentair le plus près de chez vous ou composez le 1 800 279-9404.

## DONNÉES SUR LA PERFORMANCE

Notice importante : Lisez les données de performance et comparez les capacités du système avec les exigences de votre traitement d'eau particulier. Il est recommandé de tester l'eau d'alimentation avant d'installer un système de traitement d'eau afin de déterminer vos besoins de traitement d'eau.

### Conditions de test

Débit F2000-B2B = 2,27 L/min (0,60 gal./min)  
F2000-B2M = 2,27 L/min (0,60 gal./min)

### Capacité du filtre

F2000-B2B = 2 555 L (675 gallons)  
F2000-B2M = 2 555 L (675 gallons)  
Débit de service = 4,1 bars (60 psi)  
Température = 20°C +/- 2,5 °C (68 °F +/- 5 °F)

Les essais ont été effectués dans des conditions de laboratoire standard; la performance réelle peut varier.

Exigences d'exploitation pour les systèmes F2000-B2B et F2000-B2M :

Pression = 2,75 à 6,89 bars (40 à 100 psi)  
Température = 4,4 à 37,8 °C (40 à 100 °F)

### Réductions indiquées dans la fiche technique pour des produits chimiques inclus par essais indirects

Substancia	Concentration infiltrante (en mg/L)	Concentration maximale admissible du produit dans l'eau (en mg/L)
alachlor	0.050	0.001
atrazine	0.100	0.003
benzene	0.081	0.001
carbofuran	0.190	0.01
carbon tetrachloride	0.078	0.0018
chlorobenzene	0.077	0.001
chloropicrin	0.015	0.0002
2,4-D	0.110	0.0017
dibromochloropropane (DBCP)	0.052	0.00002
o-dichlorobenzene	0.080	0.001
p-dichlorobenzene	0.040	0.001
1,2-dichloroethane	0.088	0.0048
1,1-dichloroethylene	0.083	0.001
cis-1,2-dichloroethylene	0.170	0.0005
trans-1,2-dichloroethylene	0.086	0.001
1,2-dichloropropane	0.080	0.001
cis-1,3-dichloropropylene	0.079	0.001
dinoseb	0.170	0.0002
endrin	0.053	0.00059
ethylbenzene	0.088	0.001
ethylene dibromide (EDB)	0.044	0.00002
haloacetonitriles (HAN): bromochloroacetonitrile dibromoacetonitrile dichloroacetonitrile trichloroacetonitrile	0.022 0.024 0.0096 0.015	0.0005 0.0006 0.0002 0.0003
haloketones (HK): 1,1-dichloro-2-propanone 1,1,1-trichloro-2-propanone	0.0072 0.0082	0.0001 0.0003
heptachlor	0.080	0.0004
heptachlor epoxide	0.0107	0.0002
hexachlorobutadiene	0.044	0.001
hexachlorocyclopentadiene	0.060	0.000002
lindane	0.055	0.00001
methoxychlor	0.050	0.0001
pentachlorophenol	0.096	0.001
simazine	0.120	0.004
styrene	0.150	0.0005
1,1,2,2-tetrachloroethane	0.081	0.001
tetrachloroethylene	0.081	0.001
toluene	0.078	0.001
2,4,5-TP(silvex)	0.270	0.0016
tribromoacetic acid	0.042	0.001
1,2,4-trichlorobenzene	0.160	0.0005
1,1,1-trichloroethane	0.084	0.0046
1,1,2-trichloroethane	0.050	0.0005
trichloroethylene	0.180	0.001
trihalomethanes (includes): chloroform (surrogate chemical) bromoform bromodichloromethane chlorodibromomethane xylenes (total)	0.310 0.070	0.015 0.001

## SYSTÈMES F2000-B2B ET F2000-B2M COMPRENANT LE JEU DE CARTOUCHES FILTRANTES F2B2-RC2

Ce système a été testé conformément aux normes NSF/ANSI 42 et 53 pour la réduction des substances indiquées ci-dessous. La concentration des substances indiquées dans l'eau entrant dans le système a été réduite à une concentration inférieure ou égale à la limite autorisée pour l'eau sortant du système, comme spécifié par les normes NSF/ANSI 42 et 53.

Le système est conforme à la norme NSF/ANSI 53 en ce qui a trait à la réduction des COV. Consultez la fiche technique des produits pour obtenir de l'information individuelle sur les contaminants et la capacité de réduction.

### Modèles F2000-B2B et F2000-B2M

Substances	Concentration infiltrante	Concentration maximale admissible du produit dans l'eau	Exigences de réduction	Réduction minimale	Réduction moyenne
Norme 42					
Goût et odeur de chlore	2,0 mg/L ± 10 %		≥ 50 %		95,9 %
Particules (0,5 à < 1 µm) classe 1*	au moins 10 000 particules/mL		> 85 %		97,9 %
Norme 53					
Kystes**	Minimum de 50 000/L		99,95 %	99,97 %	99,99 %
Atrazine	0,009 mg/L ± 10 %	0,003 mg/L		90,5 %	93,7 %
Plomb (pH 6,5)	0,15 mg/L ± 10 %	0,010 mg/L		99,3 %	99,9 %
Plomb (pH 8,5)	0,15 mg/L ± 10 %	0,010 mg/L		99,3 %	99,6 %
Lindane	0,002 mg/L ± 10 %	0,0002 mg/L		94,8 %	97,4 %
Chloroforme (substitut chimique des COV)	0,300 mg/L ± 10 %	0,015 mg/L		96,5 %	98,8 %
Ácido Perfluorooctanoico (PFOA) y Sulfonato de Perfluorooctano (PFOS)	0,0015mg/L ± 10%	0,00007 mg/L		96,27%	98,06%

Débit = 2,2 L/min (0,6 gal./min); capacité = 2 555 L (675 gallons) ou 12 mois

Les essais ont été effectués dans des conditions de laboratoire standard; la performance réelle peut varier.

\*Séparation mécanique des particules d'à peine 0,5 à 1 micron

\*\*Homologué selon la norme NSF/ANSI 53 pour réduire les parasites



Les modèles F2000-B2B et F2000-B2M ont été mis à l'essai et sont homologués par NSF International en regard des normes NSF/ANSI 42 et 53 ainsi que CSA B483.1 pour la réduction des substances indiquées dans la fiche technique du produit.



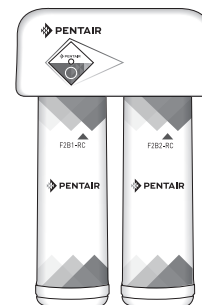
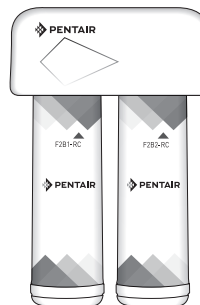
Les modèles F2000-B2B et F2000-B2M sont certifiés par IAPMO R&T selon NSF/ANSI 53 pour la réduction de l'acide perfluorooctanoïque (PFOA) et du sulfonate de perfluorooctane (PFOS).

Numéro d'établissement EPA 082989-CHN-001

## SÉQUENCE DES CARTOUCHES

F2000-B2B

F2000-B2M





For Pentair® Product Warranties visit: } **waterpurification.pentair.com**  
Pentair para las garantías de los productos visite: }  
Pour Pentair garanties produit visitez le site: }



13845 BISHOPS DR., SUITE 200, BROOKFIELD, WI 53005  
WATERPURIFICATION.PENTAIR.COM | CUSTOMER CARE: 800.279.9404 | tech-support@pentair.com  
©2022 Pentair Residential Filtration, LLC. All rights reserved.

®For a detailed list of where Pentair trademarks are registered, please visit [waterpurification.pentair.com/brands](https://waterpurification.pentair.com/brands).  
Pentair trademarks and logos are owned by Pentair plc or its affiliates.

Third party registered and unregistered trademarks and logos are the property of their respective owners.

4003610 REV F JE22