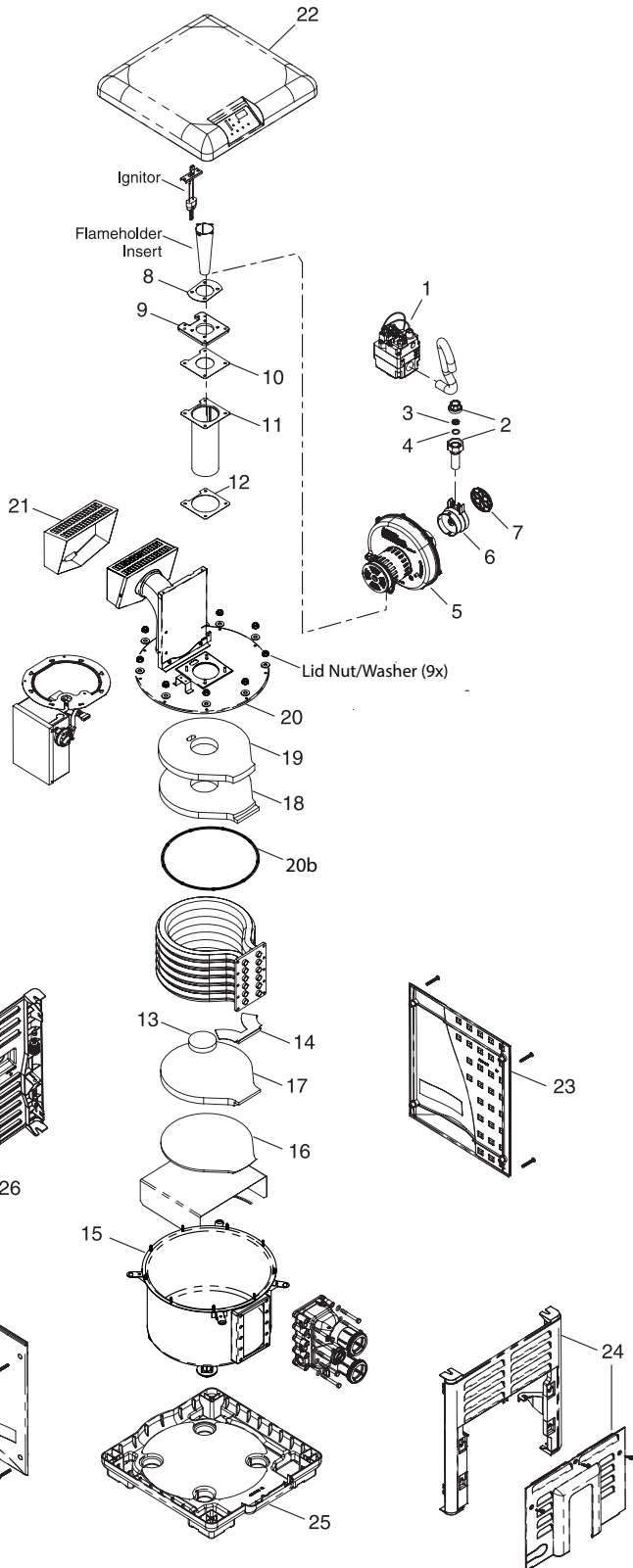
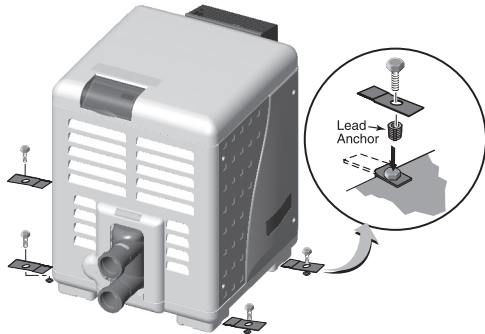


# MASTERTEMP® HEATER (CONT'D)

## BURNER SYSTEM REPLACEMENT PARTS

For Heater mounting bolts and clamps, purchase separately Bolt Down Bracket Kit, Part No. 460738.



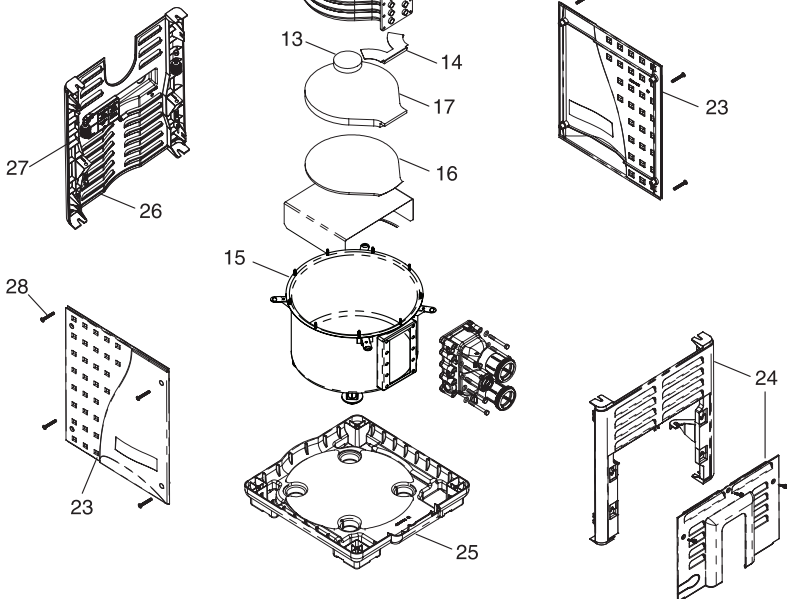
**CLAMP LID TUB DESIGN**

Combustion Chamber Clamp Assy.

20a 20

15

For heaters manufactured between 1/12/2009 and 10/31/2013 (clamp lid tub design)  
 Note: Kits also include Clamp Assembly, O-Ring and Silicon Tube



# MASTERTEMP® HEATER (CONT'D)

## BURNER SYSTEM REPLACEMENT PARTS

Item	Part No.	Description	Qty.
<b>BURNER SYSTEM</b>			
1	42001-0051S	Combination Gas Control Valve Kit	1
2	38404-4097S	3/4 in. Union	2
5	77707-0250	Air Blower Kit - Natural Gas Units (Models 175NA)	1
5	77707-0251	Air Blower Kit - Natural Gas Units (Models 200NA)	1
5	460743	Air Blower Kit - Natural Gas Units (Models 250NA)	1
5	460757	Air Blower Kit - Natural Gas Units (Models 300NA)	1
5	77707-0253	Air Blower Kit - Natural Gas Units (Models 400NA)	1
5	77707-0254	Air Blower Kit - Propane Units (Models 175LP, 200LP)	1
5	460744	Air Blower Kit - Propane Units (Models 250LP)	1
5	460758	Air Blower Kit - Propane Units (Models 300LP)	1
5	77707-0256	Air Blower Kit - Propane Units (Models 400LP)	1
6	See Item #7	Item #6 included in Item #7	
7	460798	Air Orifice Kit - Model 175 (Includes Item Nos. 6 and 7)	
7	77707-0111	Air Orifice Kit - Model 200 (Includes Item Nos. 6 and 7)	1
7	460745	Air Orifice Kit - Model 250 (Includes Item Nos. 6 and 7)	
7	460759	Air Orifice Kit - Model 300 (Includes Item Nos. 6 and 7)	
7	77707-0113	Air Orifice Kit - Model 400 (Includes Item Nos. 6 and 7)	
15	474095	One Piece Metal Chamber/Combustion Chamber Assembly <sup>1</sup>	
15	474957	One Piece Metal Chamber/Combustion Chamber Assembly <sup>2</sup>	
20	474094	One Piece Metal Elbow/Combustion Chamber Cover Assembly <sup>1</sup>	
20	474958	One Piece Metal Elbow/Combustion Chamber Cover Assembly <sup>2</sup>	
20a	474201	Tub O-Ring Kit <sup>1</sup>	
20b	474952	Tub O-Ring Kit <sup>2</sup>	
21	42002-0005S	Metal Vent Cover	
22	42002-0034Z	Heater Top	
23	42002-0039Z	Side Panel (Service Panel) with 4 clips and 4 screws	
24	42002-0033Z	Side Panel (Manifold)	
25	42002-0031Z	Heater Bottom	
26	42002-0032Z	Side Panel (Flue Stack)	
27	42002-0041Z	J Box Cover	
28	474292	7 ea clips and 3 ea screws	
<b>NOT SHOWN</b>			
	461002	Gas Orifice Kit - NG, Model 175 (Incl. Item Nos. 3 and 4) *	
	77707-0431	Gas Orifice Kit - NG, Model 200 (Incl. Item Nos. 3 and 4) *	1
	460739	Gas Orifice Kit - NG, Model 250 (Incl. Item Nos. 3 and 4) *	
	460753	Gas Orifice Kit - NG, Model 300 (Incl. Item Nos. 3 and 4) <sup>1</sup>	
	77707-0411	Gas Orifice Kit - NG, Model 400 (Incl. Item Nos. 3 and 4) *	
	460797	Gas Orifice Kit - Propane, Model 175 (Incl. Item Nos. 3 and 4) *	
	77707-0461	Gas Orifice Kit - Propane, Model 200 (Incl. Item Nos. 3 and 4) *	1

Item	Part No.	Description	Qty.
	460740	Gas Orifice Kit - Propane, Model 250 (Incl. Item Nos. 3 and 4) *	
	460754	Gas Orifice Kit - Propane, Model 300 (Incl. Item Nos. 3 and 4) *	
	77707-0441	Gas Orifice Kit - Propane, Model 400 (Incl. Item Nos. 3 and 4) *	
	460794	NG to Propane Conversion Kit Model 175 (Incl. Item Nos. 3 and 4) *	
	77707-1461	NG to Propane Conversion Kit Model 200 (Incl. Item Nos. 3 and 4) *	1
	460741	NG to Propane Conversion Kit Model 250 (Incl. Item Nos. 3 and 4) *	
	460755	NG to Propane Conversion Kit Model 300 (Incl. Item Nos. 3 and 4) *	
	77707-1441	NG to Propane Conversion Kit Model 400 (Incl. Item Nos. 3 and 4) *	
	460795	Propane to NG Conversion Kit Model 175 (Incl. Key Nos. 3 and 4) *	
	77707-1431	Propane to NG Conversion Kit Model 200 (Incl. Key Nos. 3 and 4) *	1
	460742	Propane to NG Conversion Kit Model 250 (Incl. Key Nos. 3 and 4) *	
	460756	Propane to NG Conversion Kit Model 300 (Incl. Key Nos. 3 and 4) *	
	77707-1411	Propane to NG Conversion Kit Model 400 (Incl. Key Nos. 3 and 4) *	
	77707-0011	Blower/Adapter Plate Gasket Kit (Includes Item Nos. 8, 9, 10, 12)	1
	77707-0202	Flameholder Kit - Model 175, Model 200 (Includes Item Nos. 10, 11, 12 & 13)	1
	460746	Flameholder Kit - Model 250 (Includes Item Nos. 10, 11, 12 & 13 and Flameholder insert)	
	77707-0203	Flameholder Kit - Model 300 (Includes Item Nos. 10, 11, 12, 13 & Flameholder Insert)	
	77707-0204	Flameholder Kit - Model 400 (Includes Item Nos. 10, 11, 12, 13 & Flameholder Insert)	
	77707-0008	Insulation Kit (Includes Item Nos. 13, 14, 16, 17, 18, 19)	1
	42001-0074S	Lower Enclosure Insulation	
	42001-0214S	Metal Vent Cover Assembly	
	461063	Kit Gas Conversion NA to LP - MT125	

\* Not included with heater. Order separately.

<sup>1</sup> For Heaters Manufactured Between 1/12/09 and 10/31/13 (Clamp lid tub design).

<sup>2</sup> For Heaters Manufactured After 11/16/13 (New 9-bolt lid tub design).

Note: Kits include Clamp Assembly, O-Ring, and Silicone Tube.