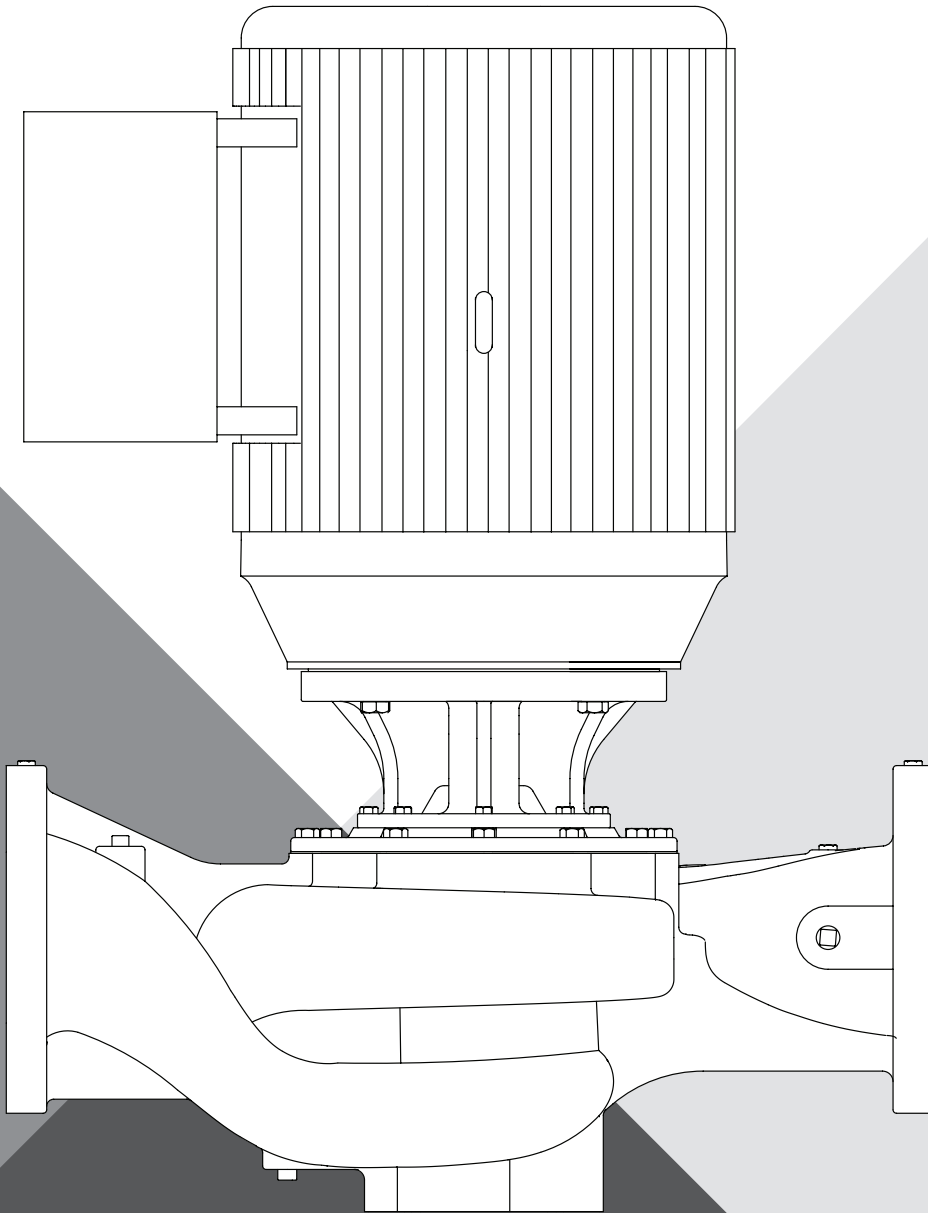


 **PENTAIR** FAIRBANKS NIJHUIS

VERTICAL IN-LINE CLOSE COUPLED
1590-CC SERIES



REPAIR PARTS INDEX

TABLE OF CONTENTS:

| | |
|--|---|
| DESCRIPTION | |
| Exploded View with Piece Numbers | 3 |
| PUMP SIZE..... | |
| 1.5 x 1.5 x 7 through 6 x 6 x 7A Part Numbers | 4 |
| 1.5 x 1.5 x 9.5 through 8 x 8 x 9.5A Part Numbers..... | 5 |
| 2 x 2 x 11 through 8 x 8 x 11A Part Numbers..... | 6 |
| 3 x 3 x 13.5 through 10 x 10 x 13.5A Part Numbers..... | 7 |
| Standard Limited Warranty | 8 |

NOTE: To determine when to use **(S)**, **(L)** or **(XL)** parts, in addition to the pump size, it is also necessary to have the motor frame.

MOTOR FRAMES:

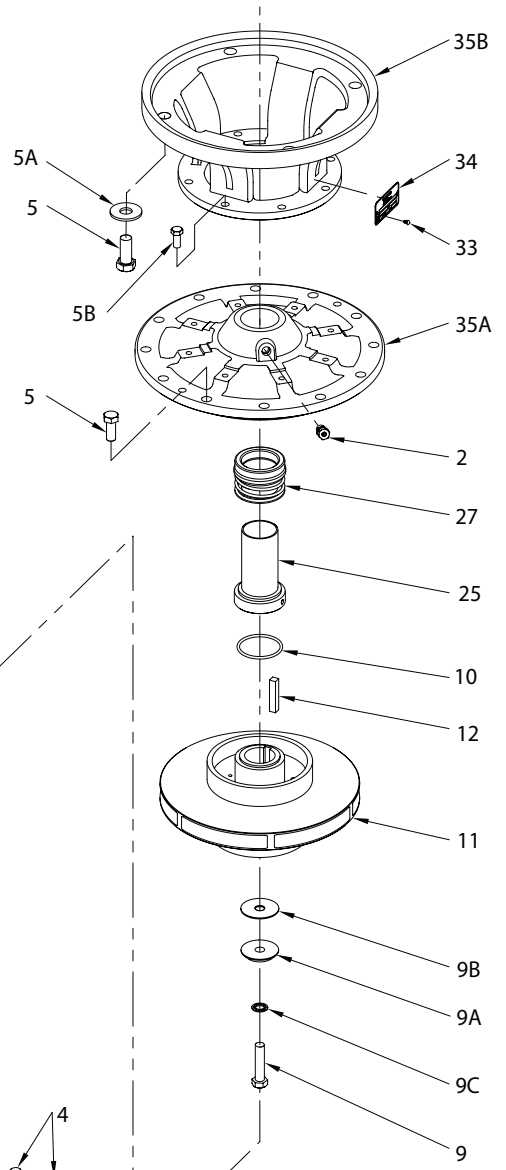
- Motor Frames 143–215 use (S) parts.
- Motor Frames 254–326 use (L) parts.
- Motor Frames 364–449 use (XL) parts.

Notice: Read and understand the pump and motor instructions available in the Pentair Fairbanks Nijhuis® 1590 In-Line Closed Coupled Pump Installation and Operational Manual before attempting to install, disassemble or repair the pump.

EXPLODED VIEW WITH PIECE NUMBERS

| PART LIST | |
|-----------|-----------------------|
| PC. NO. | DESCRIPTION |
| 1 | COMPRESSION ELBOW |
| 2 | COMPRESSION CONNECTOR |
| 3 | TUBING |
| 4 | PIPE PLUG |
| 4A | PIPE PLUG |
| 5 | CAP SCREW |
| 5A | WASHER |
| 5B | CAP SCREW |
| 6 | CASING |
| 7 | CASE WEAR RING |
| 8 | CASING GASKET |
| 9 | IMPELLER SCREW |
| 9A | IMPELLER WASHER |
| 9B | IMPELLER GASKET |

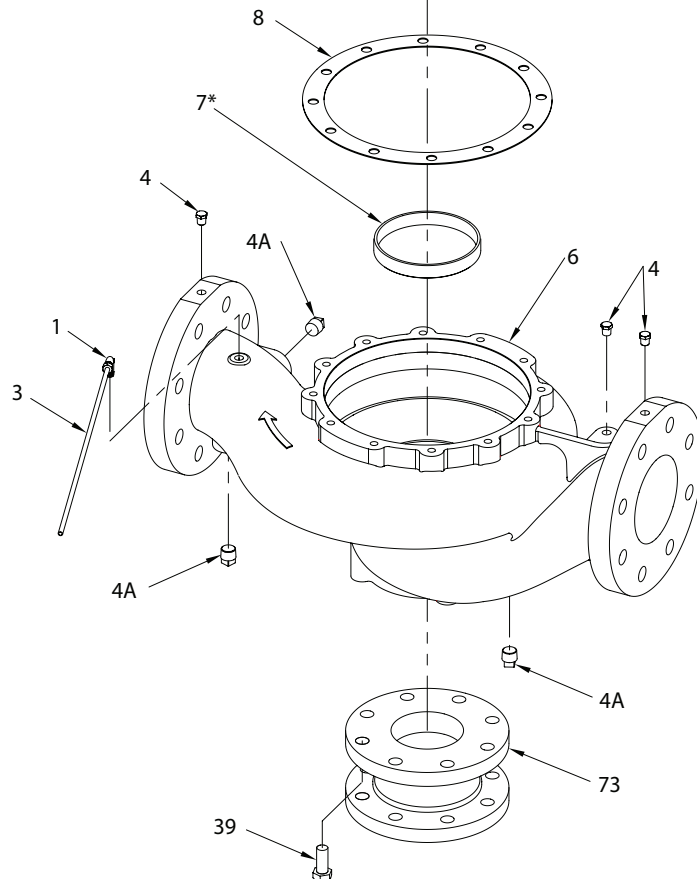
| PART LIST | |
|-----------|---------------|
| PC. NO. | DESCRIPTION |
| 9C | IMPELLER SEAL |
| 10 | O-RING |
| 11 | IMPELLER |
| 12 | IMPELLER KEY |
| 25 | SLEEVE |
| 27 | SEAL |
| 33 | SCREW |
| 34 | NAME PLATE |
| 35A | SEAL PLATE |
| 35B | BRACKET |
| 39 | CAP SCREW |
| 73 | SPOOL BASE |



PENTAIR FAIRBANKS NIJHUIS® RESERVES THE RIGHT TO SUBSTITUTE MATERIALS WITHOUT NOTICE.

NOTE: WHEN ORDERING SPARE PARTS ALWAYS INCLUDE THE PUMP TYPE, SIZE, SERIAL NUMBER AND THE PIECE NUMBER FROM THE EXPLODED VIEW IN THIS DOCUMENT. ORDER ALL PARTS FROM YOUR LOCAL AUTHORIZED DISTRIBUTOR OR THE FACTORY AT NORTH AURORA, ILLINOIS.

NOTE: * MARKED ITEM IS OPTIONAL FOR 7", 9.5", 11" AND 13.5" PUMPS.



7 INCH PUMP PART NUMBERS

| PC. NO. | DESCRIPTION | QTY | 1-1/2" 1591 | 2" 1592A | 2-1/2" 1591A | 3" 1594 | 4" 1595A | 5" 1591A | 6" 1591A |
|------------|--|----------|--------------|--------------|--------------|--------------|--------------|--------------|--------------|
| 6 | CASING W/WEAR RING (OPTIONAL) | 1 | | | | | | | |
| | Casing 125/125# Drilling | 1 | 180-8594-055 | 180-8586-055 | 180-8602-055 | 180-8614-055 | 180-8576-055 | 180-8580-055 | 180-8610-055 |
| | Casing 125/250# Drilling | | 180-8595-055 | 180-8587-055 | 180-8603-055 | 180-8615-055 | 180-8577-055 | 180-8581-055 | 180-8611-055 |
| | Casing 250/250# Drilling | | 180-8596-055 | 180-8588-055 | 180-8604-055 | 180-8616-055 | 180-8578-055 | 180-8582-055 | 180-8612-055 |
| | Casing (w/o Wear Ring) 125/125# Drilling | | 180-8713-055 | 180-8828-055 | 180-8822-055 | 180-8825-055 | 180-8722-055 | 180-8725-055 | 180-8728-055 |
| | Casing (w/o Wear Ring) 125/250# Drilling | | 180-8714-055 | 180-8829-055 | 180-8823-055 | 180-8826-055 | 180-8723-055 | 180-8726-055 | 180-8729-055 |
| | Casing (w/o Wear Ring) 250/250# Drilling | | 180-8715-055 | 180-8830-055 | 180-8824-055 | 180-8827-055 | 180-8724-055 | 180-8727-055 | 180-8730-055 |
| 7 | Case Wear Ring (Optional) | 1 | 676-8100-107 | 676-8100-107 | 676-8102-107 | 676-8104-107 | 676-8106-107 | 676-8118-107 | 676-8110-107 |
| 8 | Casing Gasket | 1 | 364-8021-603 | 364-8021-603 | 364-8021-603 | 364-8021-603 | 364-8021-603 | 364-8021-603 | 364-8021-603 |
| 11 | IMPELLER¹ | 1 | | | | | | | |
| | Impeller Small Bore (S) | 1 | 444-8100-104 | 444-3347-104 | 444-3349-104 | 444-8113-104 | 444-3341-104 | 444-3344-104 | 444-3353-104 |
| | Impeller Large Bore (L) | | N/A | 444-3348-104 | 444-3350-104 | 444-8114-104 | 444-3342-104 | 444-3345-104 | 444-3354-104 |
| | Impeller XL Bore (XL) | | N/A | N/A | N/A | N/A | N/A | 444-3346-104 | 444-3355-104 |
| 35B | BRACKET | 1 | | | | | | | |
| | Bracket for 143-184 JM Motor | 1 | 116-8082-010 | 116-8082-010 | 116-8082-010 | 116-8082-010 | 116-8082-010 | 116-8082-010 | 116-8082-010 |
| | Bracket for 213-215 JM Motor | | 116-8083-010 | 116-8083-010 | 116-8083-010 | 116-8083-010 | 116-8083-010 | 116-8083-010 | 116-8083-010 |
| | Bracket for 254-256 JM Motor | | N/A | 116-8084-010 | 116-8084-010 | 116-8084-010 | 116-8084-010 | 116-8084-010 | 116-8084-010 |
| | Bracket for 284-326 JM Motor | | N/A | N/A | N/A | 116-8085-010 | 116-8085-010 | 116-8085-010 | 116-8085-010 |
| | Bracket for 364-405 JP Motor | | N/A | N/A | N/A | N/A | N/A | 116-8087-010 | 116-8087-010 |
| 35A | SEAL PLATE | 1 | | | | | | | |
| | Seal Plate (S) | 1 | 812-8084-010 | 812-8084-010 | 812-8084-010 | 812-8084-010 | 812-8084-010 | 812-8084-010 | 812-8084-010 |
| | Seal Plate (L) | | N/A | 812-8085-010 | 812-8085-010 | 812-8085-010 | 812-8085-010 | 812-8085-010 | 812-8085-010 |
| | Seal Plate (XL) | | N/A | N/A | N/A | N/A | N/A | 812-8096-010 | 812-8096-010 |
| | MECHANICAL SEAL KIT^{2,3} | 1 | | | | | | | |
| | Seal Kit (S) | 1 | 476-1251-644 | 476-1251-644 | 476-1251-644 | 476-1251-644 | 476-1251-644 | 476-1251-644 | 476-1251-644 |
| | Seal Kit (L) | | N/A | 476-1252-644 | 476-1252-644 | 476-1252-644 | 476-1252-644 | 476-1252-644 | 476-1252-644 |
| | Seal Kit (XL) | | N/A | N/A | N/A | N/A | N/A | 476-1253-644 | 476-1253-644 |

NOTES:

- The first 3 digits of the impeller part number "444" indicate a full trim impeller, a trimmed impeller would be "443".
- The Seal Kit would be a standard maintenance kit for the first two years. "1 to 2 years" should be considered for general guidance only.
- Seal Kit Material Code match Seal Material Code:
 - For 753 Seal (BUNA-N/CARBON/CERAMIC)
 - For 764 Seal (VITON/CARBON/CERAMIC)
 - For 769 Seal (EPR/CARBON/TUNGSTEN CARBIDE)

SEAL KIT CONTAINS

| PC. NO. | DESCRIPTION |
|---------|--------------------|
| 8 | Casing Gasket |
| 9 | Impeller Cap Screw |
| 9A | Impeller Washer |
| 9B | Impeller Gasket |
| 9C | Impeller Seal |
| 10 | O-Ring |
| 12 | Impeller Key |
| 25 | Sleeve |
| 27 | Mechanical Seal |

9.5 INCH PUMP PART NUMBERS

| PC. NO. | DESCRIPTION | QTY | 1-1/2" 1592 | 2-1/2" 1592 | 3" 1595 | 4" 1596 | 5" 1592 | 6" 1592A | 8" 1591A* |
|------------|--|----------|--------------|--------------|--------------|--------------|--------------|--------------|--------------|
| 6 | CASING W/WEAR RING (OPTIONAL) | 1 | | | | | | | |
| | Casing 125/125# Drilling | 1 | 180-8606-055 | 180-8622-055 | 180-8642-055 | 180-8598-055 | 180-8638-055 | 180-8626-055 | 180-8654-055 |
| | Casing 125/250# Drilling | | 180-8607-055 | 180-8623-055 | 180-8643-055 | 180-8599-055 | 180-8639-055 | 180-8627-055 | 180-8655-055 |
| | Casing 250/250# Drilling | | 180-8608-055 | 180-8624-055 | 180-8644-055 | 180-8600-055 | 180-8640-055 | 180-8628-055 | 180-8656-055 |
| | Casing(w/o Wear Ring) 125/125# Drilling | | 180-8731-055 | 180-8803-055 | 180-8737-055 | 180-8806-055 | 180-8809-055 | 180-8819-055 | 180-8749-055 |
| | Casing(w/o Wear Ring) 125/250# Drilling | | 180-8732-055 | 180-8804-055 | 180-8738-055 | 180-8807-055 | 180-8810-055 | 180-8820-055 | 180-8750-055 |
| | Casing(w/o Wear Ring) 250/250# Drilling | | 180-8733-055 | 180-8805-055 | 180-8739-055 | 180-8808-055 | 180-8811-055 | 180-8821-055 | 180-8751-055 |
| 7 | Case Wear Ring (Optional) | 1 | 676-8102-107 | 676-8102-107 | 676-8104-107 | 676-8107-107 | 676-8109-107 | 676-8111-107 | 676-8113-107 |
| 8 | Casing Gasket | 1 | 364-8000-603 | 364-8000-603 | 364-8000-603 | 364-8000-603 | 364-8000-603 | 364-8000-603 | 364-8017-603 |
| 11 | IMPELLER¹ | 1 | | | | | | | |
| | Impeller Small Bore (S) | 1 | 444-3351-104 | 444-8107-104 | 444-8115-104 | 444-8122-104 | 444-8133-104 | 444-3359-104 | N/A |
| | Impeller Large Bore (L) | | 444-3352-104 | 444-8108-104 | 444-8116-104 | 444-8123-104 | 444-8134-104 | 444-3360-104 | 444-3374-104 |
| | Impeller XL Bore (XL) | | N/A | 444-3358-104 | 444-8117-104 | 444-8124-104 | 444-8135-104 | N/A | N/A |
| 35B | BRACKET | 1 | | | | | | | |
| | Bracket for 143-184 JM Motor | 1 | 116-8082-010 | 116-8082-010 | 116-8082-010 | 116-8082-010 | 116-8082-010 | 116-8082-010 | N/A |
| | Bracket for 213-215 JM Motor | | 116-8083-010 | 116-8083-010 | 116-8083-010 | 116-8083-010 | 116-8083-010 | 116-8083-010 | N/A |
| | Bracket for 254-256 JM Motor | | 116-8084-010 | 116-8084-010 | 116-8084-010 | 116-8084-010 | 116-8084-010 | 116-8084-010 | 116-8083-010 |
| | Bracket for 284-326 JM Motor | | 116-8085-010 | 116-8085-010 | 116-8085-010 | 116-8085-010 | 116-8085-010 | 116-8085-010 | 116-8086-010 |
| | Bracket for 364-405 JP Motor | | N/A | 116-8088-010 | 116-8088-010 | 116-8088-010 | 116-8088-010 | N/A | N/A |
| 35A | SEAL PLATE | 1 | | | | | | | |
| | Seal Plate (S) | 1 | 812-8086-010 | 812-8086-010 | 812-8086-010 | 812-8086-010 | 812-8086-010 | 812-8086-010 | N/A |
| | Seal Plate (L) | | 812-8087-010 | 812-8087-010 | 812-8087-010 | 812-8087-010 | 812-8087-010 | 812-8087-010 | 812-8088-010 |
| | Seal Plate (XL) | | N/A | 812-8097-010 | 812-8097-010 | 812-8097-010 | 812-8097-010 | N/A | N/A |
| | MECHANICAL SEAL KIT^{2,3} | 1 | | | | | | | |
| | Seal Kit (S) | 1 | 476-1254-644 | 476-1254-644 | 476-1254-644 | 476-1254-644 | 476-1254-644 | 476-1254-644 | N/A |
| | Seal Kit (L) | | 476-1255-644 | 476-1255-644 | 476-1255-644 | 476-1255-644 | 476-1255-644 | 476-1255-644 | 476-1256-644 |
| | Seal Kit (XL) | | N/A | 476-1259-644 | 476-1259-644 | 476-1259-644 | 476-1259-644 | N/A | N/A |

* Temporarily unavailable until further notice.

NOTES:

- The first 3 digits of the impeller part number "444" indicate a full trim impeller, a trimmed impeller would be "443".
- The Seal Kit would be a standard maintenance kit for the first two years. "1 to 2 years" should be considered for general guidance only.
- Seal Kit Material Code match Seal Material Code:
 - For 753 Seal (BUNA-N/CARBON/CERAMIC)
 - For 764 Seal (VITON/CARBON/CERAMIC)
 - For 769 Seal (EPR/CARBON/TUNGSTEN CARBIDE)

| SEAL KIT CONTAINS | |
|-------------------|--------------------|
| PC. NO. | DESCRIPTION |
| 8 | Casing Gasket |
| 9 | Impeller Cap Screw |
| 9A | Impeller Washer |
| 9B | Impeller Gasket |
| 9C | Impeller Seal |
| 10 | O-Ring |
| 12 | Impeller Key |
| 25 | Sleeve |
| 27 | Mechanical Seal |

11 INCH PUMP PART NUMBERS

| PC. NO. | DESCRIPTION | QTY | 2" 1593 | 3" 1596A | 4" 1597 | 5" 1593A | 6" 1593 | 8" 1592A |
|------------|--|----------|--------------|--------------|--------------|--------------|--------------|--------------|
| 6 | CASING W/WEAR RING (OPTIONAL) | 1 | | | | | | |
| | Casing 125/125# Drilling | 1 | 180-8566-055 | 180-8569-055 | 180-8487-055 | 180-8572-055 | 180-8558-055 | 180-8562-055 |
| | Casing 125/250# Drilling | | 180-8567-055 | 180-8570-055 | 180-8488-055 | 180-8573-055 | 180-8559-055 | 180-8563-055 |
| | Casing 250/250# Drilling | | 180-8568-055 | 180-8571-055 | 180-8489-055 | 180-8574-055 | 180-8560-055 | 180-8564-055 |
| | Casing(w/o Wear Ring)125/125# Drilling | | 180-8771-055 | 180-8775-055 | 180-8782-055 | 180-8779-055 | 180-8788-055 | 180-8785-055 |
| | Casing(w/o Wear Ring)125/250# Drilling | | 180-8772-055 | 180-8776-055 | 180-8783-055 | 180-8780-055 | 180-8789-055 | 180-8786-055 |
| | Casing(w/o Wear Ring)250/250# Drilling | | 180-8773-055 | 180-8777-055 | 180-8784-055 | 180-8781-055 | 180-8790-055 | 180-8787-055 |
| 7 | Case Wear Ring(Optional) | 1 | 676-8117-107 | 676-2104-107 | 676-8108-107 | 676-8116-107 | 676-8112-107 | 676-8114-107 |
| | Casing Gasket | 1 | 364-8009-603 | 364-8009-603 | 364-8009-603 | 364-8009-603 | 364-8009-603 | 364-8009-603 |
| 11 | IMPELLER¹ | 1 | | | | | | |
| | Impeller Small Bore(S) | 1 | 444-8102-104 | 444-3311-104 | 444-8125-104 | 444-3338-104 | 444-8147-104 | 444-3337-104 |
| | Impeller Large Bore(L) | | 444-8103-104 | 444-3312-104 | 444-8126-104 | 444-3339-104 | 444-8148-104 | 444-3335-104 |
| | Impeller XL Bore(XL) | | N/A | 444-3313-104 | 444-8127-104 | 444-3340-104 | N/A | 444-3334-104 |
| 35B | BRACKET | 1 | | | | | | |
| | Bracket for 143-184 JM Motor | 1 | 116-8082-010 | 116-8082-010 | 116-8082-010 | 116-8082-010 | 116-8082-010 | N/A |
| | Bracket for 213-215 JM Motor | | 116-8083-010 | 116-8083-010 | 116-8083-010 | 116-8083-010 | 116-8083-010 | 116-8083-010 |
| | Bracket for 254-256 JM Motor | | 116-8084-010 | 116-8083-010 | 116-8083-010 | 116-8083-010 | 116-8083-010 | 116-8083-010 |
| | Bracket for 284-326 JM Motor | | 116-8085-010 | 116-8086-010 | 116-8086-010 | 116-8086-010 | 116-8086-010 | 116-8086-010 |
| | Bracket for 364-405 JP Motor | | N/A | 116-8090-010 | 116-8090-010 | 116-8090-010 | N/A | 116-8090-010 |
| 35A | SEAL PLATE | 1 | | | | | | |
| | Seal Plate(S) | 1 | 812-8089-010 | 802-8090-010 | 812-8090-010 | 812-8090-010 | 812-8090-010 | 812-8090-010 |
| | Seal Plate(L) | | 812-8091-010 | 812-8092-010 | 812-8092-010 | 812-8092-010 | 812-8092-010 | 812-8092-010 |
| | Seal Plate(XL) | | N/A | 812-8102-010 | 812-8102-010 | 812-8102-010 | N/A | 812-8102-010 |
| | MECHANICAL SEAL KIT^{2,3} | 1 | | | | | | |
| | Seal Kit(S) | 1 | 476-1257-644 | 476-1257-644 | 476-1257-644 | 476-1257-644 | 476-1257-644 | 476-1257-644 |
| | Seal Kit (L) | | 476-1258-644 | 476-1258-644 | 476-1258-644 | 476-1258-644 | 476-1258-644 | 476-1258-644 |
| | Seal Kit(XL) | | N/A | 476-1260-644 | 476-1260-644 | 476-1260-644 | N/A | 476-1260-644 |

NOTES:

- The first 3 digits of the impeller part number "444" indicate a full trim impeller, a trimmed impeller would be "443".
- The Seal Kit would be a standard maintenance kit for the first two years. "1 to 2 years" should be considered for general guidance only.
- Seal Kit Material Code match Seal Material Code:
 - For 753 Seal (BUNA-N/CARBON/CERAMIC)
 - For 764 Seal (VITON/CARBON/CERAMIC)
 - For 769 Seal (EPR/CARBON/TUNGSTEN CARBIDE)

SEAL KIT CONTAINS

| PC. NO. | DESCRIPTION |
|---------|--------------------|
| 8 | Casing Gasket |
| 9 | Impeller Cap Screw |
| 9A | Impeller Washer |
| 9B | Impeller Gasket |
| 9C | Impeller Seal |
| 10 | O-Ring |
| 12 | Impeller Key |
| 25 | Sleeve |
| 27 | Mechanical Seal |

13.5 INCH PUMP PART NUMBERS

| PC. NO. | DESCRIPTION | QTY | 3" 1597 | 4" 1598 | 5" 1594 | 6" 1594A | 8" 1594A | 10" 1591A |
|------------|--|----------|--------------|--------------|--------------|--------------|--------------|--------------|
| 6 | CASING W/WEAR RING (OPTIONAL) | 1 | | | | | | |
| | Casing 125/125# Drilling | 1 | 180-8618-055 | 180-8658-055 | 180-8650-055 | 180-8634-055 | 180-2818-055 | 180-2815-055 |
| | Casing 125/250# Drilling | | 180-8619-055 | 180-8659-055 | 180-8651-055 | 180-8635-055 | 180-2819-055 | 180-2816-055 |
| | Casing 250/250# Drilling | | 180-8620-055 | 180-8660-055 | 180-8652-055 | 180-8636-055 | 180-2820-055 | 180-2817-055 |
| | Casing (w/o Wear Ring) 125/125# Drilling | | 180-8800-055 | 180-8767-055 | 180-8758-055 | 180-8797-055 | 180-8794-055 | 180-8791-055 |
| | Casing (w/o Wear Ring) 125/250# Drilling | | 180-8801-055 | 180-8768-055 | 180-8759-055 | 180-8798-055 | 180-8795-055 | 180-8792-055 |
| | Casing (w/o Wear Ring) 250/250# Drilling | | 180-8802-055 | 180-8769-055 | 180-8760-055 | 180-8799-055 | 180-8796-055 | 180-8793-055 |
| 7 | Case Wear Ring (Optional) | 1 | 676-8105-107 | 676-8108-107 | 676-8109-107 | 676-8112-107 | 676-2151-107 | 676-8115-107 |
| 8 | Casing Gasket | 1 | 364-8011-603 | 364-8011-603 | 364-8011-603 | 364-8011-603 | 364-8011-603 | 364-8011-603 |
| 11 | IMPELLER¹ | 1 | | | | | | |
| | Impeller Small Bore (S) | 1 | 444-8118-104 | N/A | N/A | N/A | N/A | N/A |
| | Impeller Large Bore (L) | | 444-8119-104 | 444-8129-104 | 444-8139-104 | 444-8150-104 | 444-3304-104 | 444-3306-104 |
| | Impeller XL Bore (XL) | | N/A | N/A | N/A | 444-8151-104 | 444-3305-104 | 444-3307-104 |
| 35B | BRACKET | 1 | | | | | | |
| | Bracket for 143-184 JM Motor | 1 | 116-8082-010 | N/A | N/A | N/A | N/A | N/A |
| | Bracket for 213-215 JM Motor | | 116-8083-010 | N/A | N/A | N/A | N/A | N/A |
| | Bracket for 254-256 JM Motor | | 116-8083-010 | 116-8083-010 | 116-8083-010 | 116-8083-010 | 116-8095-010 | 116-8095-010 |
| | Bracket for 284-326 JM Motor | | 116-8086-010 | 116-8086-010 | 116-8086-010 | 116-8086-010 | 116-8094-010 | 116-8094-010 |
| | Bracket for 364-405 JP Motor | | N/A | N/A | N/A | 116-8092-010 | 116-8092-010 | 116-8092-010 |
| 35A | SEAL PLATE | 1 | | | | | | |
| | Seal Plate (S) | 1 | 812-8094-010 | N/A | N/A | N/A | N/A | N/A |
| | Seal Plate (L) | | 812-8095-010 | 812-8095-010 | 812-8095-010 | 812-8095-010 | 812-8101-010 | 812-8101-010 |
| | Seal Plate (XL) | | N/A | N/A | N/A | 812-8098-010 | 812-8099-010 | 812-8099-010 |
| | MECHANICAL SEAL KIT^{2,3} | 1 | | | | | | |
| | Seal Kit (S) | 1 | 476-1262-644 | 476-1262-644 | N/A | N/A | N/A | N/A |
| | Seal Kit (L) | | 476-1263-644 | 476-1263-644 | 476-1263-644 | 476-1263-644 | 476-1263-644 | 476-1263-644 |
| | Seal Kit (XL) | | N/A | N/A | N/A | 476-1264-644 | 476-1264-644 | 476-1264-644 |

NOTES:

- The first 3 digits of the impeller part number "444" indicate a full trim impeller, a trimmed impeller would be "443".
- The Seal Kit would be a standard maintenance kit for the first two years. "1 to 2 years" should be considered for general guidance only.
- Seal Kit Material Code match Seal Material Code:
 - For 753 Seal (BUNA-N/CARBON/CERAMIC)
 - For 764 Seal (VITON/CARBON/CERAMIC)
 - For 769 Seal (EPR/CARBON/TUNGSTEN CARBIDE)

| SEAL KIT CONTAINS | |
|-------------------|--------------------|
| PC. NO. | DESCRIPTION |
| 8 | Casing Gasket |
| 9 | Impeller Cap Screw |
| 9A | Impeller Washer |
| 9B | Impeller Gasket |
| 9C | Impeller Seal |
| 10 | O-Ring |
| 12 | Impeller Key |
| 25 | Sleeve |
| 27 | Mechanical Seal |

STANDARD LIMITED WARRANTY

Seller warrants equipment (and its component parts) of its own manufacture against defects in materials and workmanship under normal use and service for one (1) year from the date of installation or start-up, or for eighteen (18) months after the date of shipment, whichever occurs first. Seller does not warrant accessories or components that are not manufactured by Seller; however, to the extent possible, Seller agrees to assign to Buyer its rights under the original manufacturer's warranty, without recourse to Seller. Buyer must give Seller notice in writing of any alleged defect covered by this warranty (together with all identifying details, including the serial number, the type of equipment, and the date of purchase) within thirty (30) days of the discovery of such defect during the warranty period. No claim made more than 30 days after the expiration of the warranty period shall be valid. Guarantees of performance and warranties are based on the use of original equipment manufactured (OEM) replacement parts. Seller assumes no responsibility or liability if alterations, non-authorized design modifications and/or non-OEM replacement parts are incorporated. If requested by Seller, any equipment (or its component parts) must be promptly returned to Seller prior to any attempted repair, or sent to an authorized service station designated by Seller, and Buyer shall prepay all shipping expenses. Seller shall not be liable for any loss or damage to goods in transit, nor will any warranty claim be valid unless the returned goods are received intact and undamaged as a result of shipment. Repaired or replaced material returned to customer will be shipped F.O.B., Seller's factory. Seller will not give Buyer credit for parts or equipment returned to Seller, and will not accept delivery of any such parts or equipment, unless Buyer has obtained Seller's approval in writing. The warranty extends to repaired or replaced parts of Seller's manufacture for ninety (90) days or for the remainder of the original warranty period applicable to the equipment or parts being repaired or replaced, whichever is greater. This warranty applies to the repaired or replaced part and is not extended to the product or any other component of the product being repaired. Repair parts of its own manufacture sold after the original warranty period are warranted for a period of one (1) year from shipment against defects in materials and workmanship under normal use and service. This warranty applies to the replacement part only and is not extended to the product or any other component of the product being repaired. Seller may substitute new equipment or improve part(s) of any equipment judged defective without further liability. All repairs or services performed by Seller, which are not covered by this warranty, will be charged in accordance with Seller's standard prices then in effect.

THIS WARRANTY IS THE SOLE WARRANTY OF SELLER AND SELLER HEREBY EXPRESSLY DISCLAIMS AND BUYER WAIVES ALL OTHER WARRANTIES EXPRESSED, IMPLIED IN LAW OR IMPLIED IN FACT, INCLUDING ANY WARRANTIES OF MERCHANTABILITY OR FITNESS FOR A PARTICULAR PURPOSE. Seller's sole obligation under this warranty shall be, at its option, to repair or replace any equipment (or its component parts) which has a defect covered by this warranty, or to refund the purchase price of such equipment or part. Under the terms of this warranty, Seller shall not be liable for (a) consequential, collateral, special or liquidated losses or damages; (b) equipment conditions caused by normal wear and tear, abnormal conditions of use, accident, neglect, or misuse of said equipment; (c) the expense of, and loss or damage caused by, repairs or alterations made by anyone other than the Seller; (d) damage caused by abrasive materials, chemicals, scale deposits, corrosion, lightning, improper voltage, mishandling, or other similar conditions; (e) any loss, damage, or expense relating to or resulting from installation, removal or reinstallation of equipment; (f) any labor costs or charges incurred in repairing or replacing defective equipment or parts, including the cost of reinstalling parts that are repaired or replaced by Seller; (g) any expense of shipment of equipment or repaired or replacement parts; or (h) any other loss, damage or expense of any nature.

The above warranty shall not apply to any equipment which may be separately covered by any alternate or special warranties.

PERFORMANCE: In the absence of Certified Pump Performance Tests, equipment performance is not warranted or guaranteed. Performance curves and other information submitted to Buyer are approximate and no warranty or guarantee shall be deemed to arise as a result of such submittal. All testing shall be done in accordance with Seller's standard policy under Hydraulic Institute procedures.

LIABILITY LIMITATIONS: Under no circumstances shall the Seller have any liability under the Order or otherwise for liquidated damages or for collateral, consequential or special damages or for loss of profits, or for actual losses or for loss of production or progress of construction, regardless of the cause of such damages or losses. In any event, Seller's aggregate total liability under the Order or otherwise shall not exceed the contract price.

ACTS OF GOD: Seller shall in no event be liable for delays in delivery of the equipment or other failures to perform caused by fires, acts of God, strikes, labor difficulties, acts of governmental or military authorities, delays in transportation or procuring materials, or causes of any kind beyond Seller's control.

COMPLIANCE WITH LAW: Seller agrees to comply with all United States laws and regulations applicable to the manufacturing of the subject equipment. Such compliance shall include: The Fair Labor Standards Acts of 1938, as amended; Equal Employment Opportunity clauses of Executive Order 11246, as amended; Occupational Safety and Health Act of 1970 and the standards promulgated thereunder, if applicable. Since compliance with the various Federal, State, and Local laws and regulations concerning occupational health and safety, pollution or local codes are affected by the use, installation and operation of the equipment and other matters over which Seller has no control, Seller assumes no responsibility for compliance with those laws and regulations, whether by way of indemnity, warranty, or otherwise. It is incumbent upon the Buyer to specify equipment which complies with local codes and ordinances.

NOTES



800 Airport Road | North Aurora, Illinois 60542 | Ph: 630.859.7000 | pentair.com

For a detailed list of where Pentair trademarks are registered, please visit www.pentair.com/en/registrations.html. Pentair trademarks and logos are owned by Pentair plc or its affiliates. Third party registered and unregistered trademarks and logos are the property of their respective owners. Because we are continuously improving our products and services, Pentair reserves the right to change specifications without prior notice. Pentair is an equal opportunity employer.

FN12947(04-01-21) ©2021 Pentair. All Rights Reserved.