



MARINE

PRODUCT CATALOG





PENTAIR SHURFLO*
THE INDUSTRY'S LEADING
MARINE PLUMBING SOLUTIONS
PROVIDER FOR MORE THAN 45 YEARS



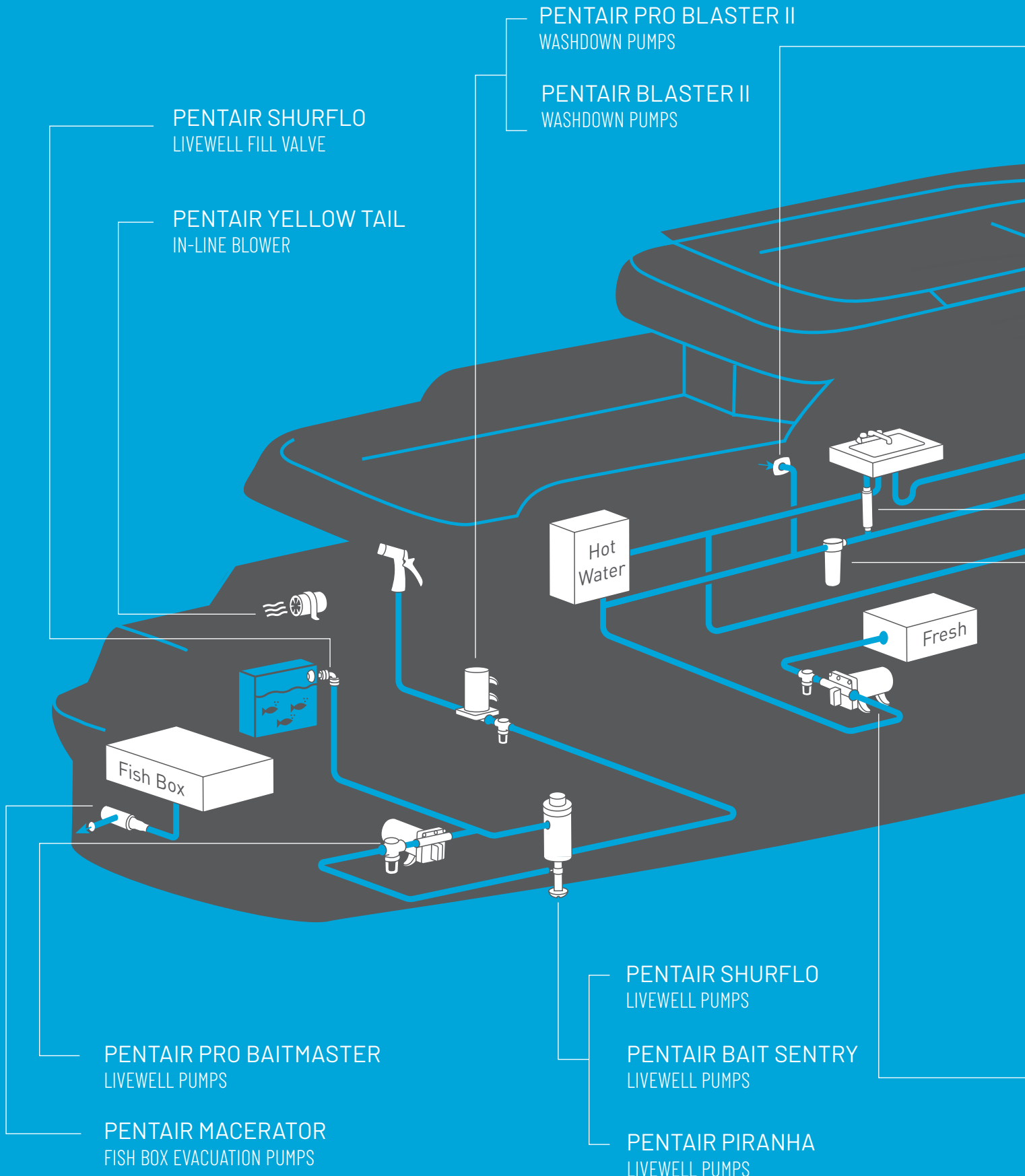
MARINE PRODUCTS

TABLE OF CONTENTS

- 1 MARINE PLUMBING SYSTEM**
- 3 FRESH WATER PUMPS & FAUCETS**
- 5 WASHDOWN PUMPS**
- 7 LIVEWELL PUMPS**
- 9 BALLAST PUMPS**
- 10 BILGE PUMPS**
- 11 MARINE BLOWERS IN-LINE & MACERATOR PUMPS**
- 12 GENERAL PURPOSE PUMPS & ACCESSORIES**
- 14 WATER FILTRATION**
- 17 PUMP FITTINGS**
- 18 PUMP REPAIR & REBUILD KITS**
- 24 INSTALLATION GUIDELINES**

PENTAIR SHURFLO* MARINE PLUMBING SYSTEM

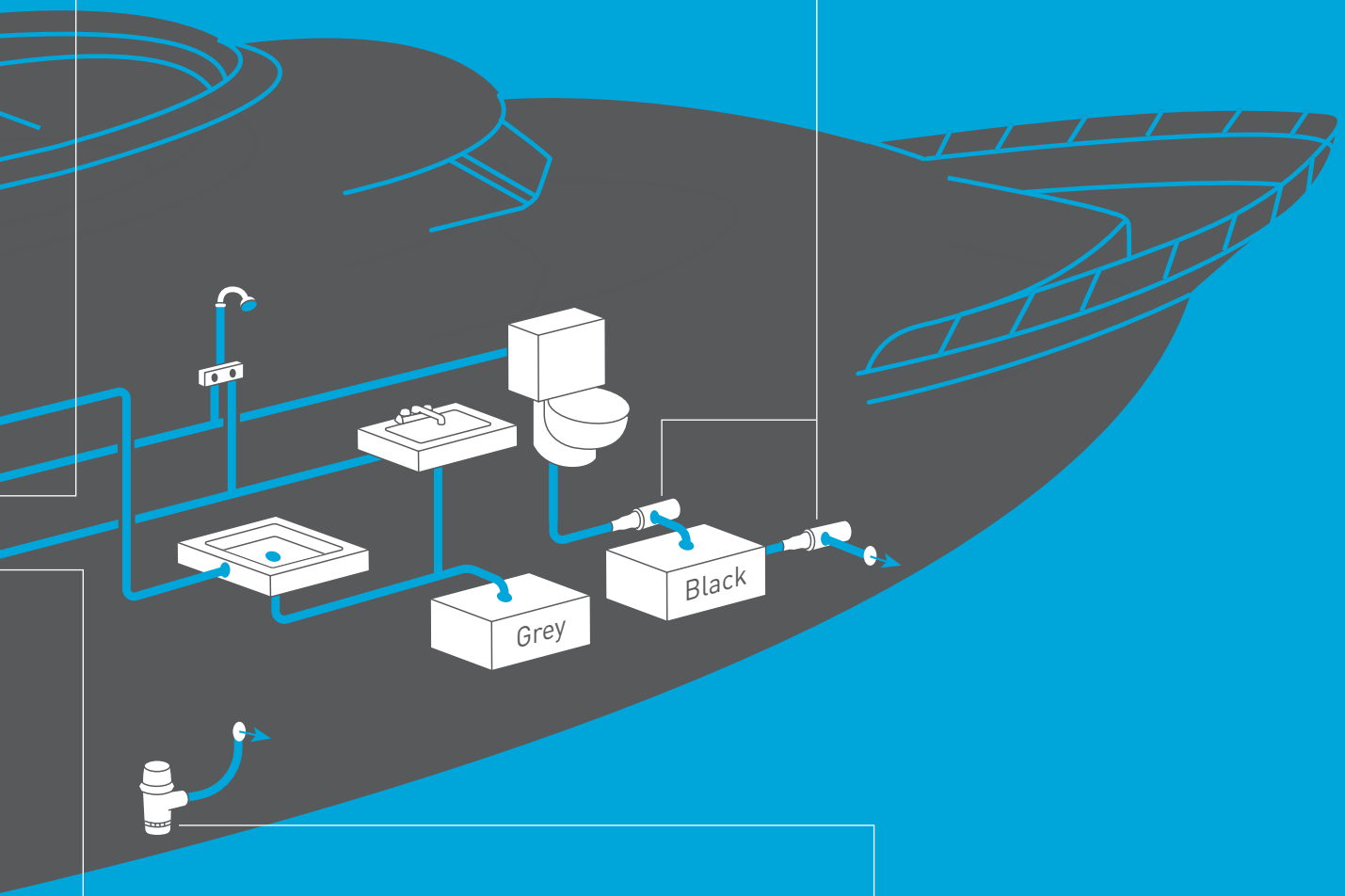
ALL MAJOR PLUMBING COMPONENTS



PENTAIR SHURFLO
PRESSURE REDUCING CITY WATER ENTRY

PENTAIR MACERATOR
SANITATION EVACUATION

PENTAIR IN-LINE WATER FILTER



PENTAIR WATERGUARD*
WATER FILTRATION

PENTAIR SHURFLO
BILGE PUMPS

PENTAIR EVERPURE*
WATER FILTRATION

PENTAIR AQUA KING* II
FRESH WATER PUMPS

FRESH WATER PUMPS

PENTAIR SHURFLO® AQUA KING® II FRESH WATER PUMPS 2.0 GPM & 3.0 GPM



CE

Name	OEM Model # (Aftermarket)	Description	Voltage	Dimensions	Flow Rate	Amps (Max.)	Shut-Off Pressure
Shurflo Aqua King II Junior 2.0	4128-110-A04 (4128-110-E04)	Intermittent Duty Up to 2 Fixtures	12 VDC	8.2" x 4.9" x 4.1" [208 x 124 x 104mm]	2.0 GPM [7.6 LPM]	3.5	30 PSI [2.0 BAR]
Shurflo Aqua King II Standard 3.0	4138-111-A65 (4138-111-E65)	Intermittent Duty Multi-Fixture Application	12 VDC	8.2" x 4.9" x 4.1" [208 x 124 x 104mm]	3.0 GPM [11.35 LPM]	6.5	55 PSI [3.8 BAR]
Shurflo Aqua King II Standard 3.0	4138-131-A65 (4138-131-E65)	Intermittent Duty Multi-Fixture Application	24 VDC	8.2" x 4.9" x 4.1" [208 x 124 x 104mm]	3.0 GPM [11.35 LPM]	3.8	55 PSI [3.8 BAR]

Pentair Shurflo Aqua King II Junior and Standard Fresh Water Pumps are designed with unique over-molded single piece diaphragm and internal bypass (3.0 version only) to enable long life and top performance in all plumbing systems. These fresh water automatic demand pumps are quiet and can run dry without damage. Sealed switch. Ignition protected. Thermally protected. 2 each 1/2" hose barb fittings are included (aftermarket models only).

3 Year Warranty

PENTAIR SHURFLO AQUA KING II FRESH WATER PUMPS 4.0



CE

Name	OEM Model # (Aftermarket)	Description	Voltage	Dimensions	Flow Rate	Amps (Max.)	Shut-Off Pressure
Shurflo Aqua King II Premium 4.0	4148-153-A75 (4148-153-E75)	Intermittent Duty Multi-Fixture Application	12 VDC	10" x 5" x 4.75" [254 x 127 x 120mm]	4.0 GPM [15.1 LPM]	10	55 PSI [3.8 BAR]
Shurflo Aqua King II Premium 4.0	4148-163-A75 (4148-163-E75)	Intermittent Duty Multi-Fixture Application	24 VDC	10" x 5" x 4.75" [254 x 127 x 120mm]	4.0 GPM [15.1 LPM]	5	55 PSI [3.8 BAR]

Pentair Shurflo Aqua King II Premium Fresh Water Pumps are designed for boats with multi-fixtures providing "just like home" shower pressure. A built-in mechanical bypass function enables these pumps to operate at lower flow conditions with minimal cycling. Featuring heavy duty, seamless shell electro coated motors built to withstand the tough marine environment with o-ring sealed end bells and completely sealed wire entries. Sealed switch. Ignition protected. Thermally protected. Inlet strainer and 2 each 1/2" hose barb fittings are included (aftermarket models only).

3 Year Warranty

PENTAIR SHURFLO AQUA KING II FRESH WATER PUMPS 5.0



CE

Name	OEM Model # (Aftermarket)	Description	Voltage	Dimensions	Flow Rate	Amps (Max.)	Shut-Off Pressure
Shurflo Aqua King II Supreme 5.0	4158-153-A75 (4158-153-E75)	Intermittent Duty Multi-Fixture Application	12 VDC	10" x 5" x 4.75" [254 x 127 x 120mm]	5.0 GPM [18.9 LPM]	13	55 PSI [3.8 BAR]
Shurflo Aqua King II Supreme 5.0	4158-163-A75 (4158-163-E75)	Intermittent Duty Multi-Fixture Application	24 VDC	10" x 5" x 4.75" [254 x 127 x 120mm]	5.0 GPM [18.9 LPM]	7	55 PSI [3.8 BAR]

Pentair Shurflo Aqua King II Supreme Fresh Water Pumps are designed for boats with multi-fixtures providing "just like home" shower pressure. A built-in mechanical bypass function enables these pumps to operate at lower flow conditions with minimal cycling. Featuring heavy duty, seamless shell electro coated motors built to withstand the tough marine environment with o-ring sealed end bells and completely sealed wire entries. Sealed switch. Ignition protected. Thermally protected. Inlet strainer and 2 each 1/2" hose barb fittings are included (aftermarket models only).

3 Year Warranty

FRESH WATER PUMPS

PENTAIR SHURFLO® HIGH FLOW SYSTEMS

Name	OEM Model # (Aftermarket)	Description	Voltage	Flow Rate	Amps (Max.)	Shut-Off Pressure
Shurflo High Flow System	4558-153-E75 (4558-153-E75)	12 VDC High Flow System Pentair Shurflo Aqua King® II Supreme 5.0 GPM and Pentair Shurflo Pro Blaster II Ultimate 5.0 GPM, Manifold Assembly and Mounting Board	12 VDC	10.0 GPM [37.8 LPM]	13/11	55 PSI [3.8 BAR]
Shurflo High Flow System	4558-163-E75 (4558-163-E75)	24 VDC High Flow System Pentair Shurflo Aqua King® II Supreme 5.0 GPM and Pentair Shurflo Pro Blaster II Ultimate 5.0 GPM, Manifold Assembly and Mounting Board	24 VDC	10.0 GPM [37.8 LPM]	7/6	55 PSI [3.8 BAR]



CE

The most advanced systems available. These fully-automatic, quiet units deliver water smoothly and consistently.

3 Year Warranty

PENTAIR SHURFLO SLV PUMP

Name	OEM Model # (Aftermarket)	Description	Voltage	Dimensions	Flow Rate	Amps (Max.)	Shut-Off Pressure
Shurflo SLV	105-003 (105-013)	Automatic Demand Pump	12 VDC	6.8" x 3.9" x 2.5" [170 x 100 x 60mm]	1.0 GPM [3.8 LPM]	2.5	30 PSI [2.0 BAR]



CE

This compact automatic demand pump offers durability and dependability making it ideal for low volume, intermittent duty applications. Pentair Shurflo SLV Pumps self-prime up to 2.5 vertical feet while delivering 1.0 GPM.

1 Year Warranty

FAUCETS

Name	OEM Model # (Aftermarket)	Voltage	Ports	Amps (Max.)	Operation	Spout Rotation	Color
Electric Faucet with Switch	94-009-00 (94-009-10)	12 VDC	3/8" Barb	3	Single	360°	White
Electric Faucet with Switch	94-009-01 (N/A)	12 VDC	3/8" Barb	3	Single	360°	Gray
Electric Faucet and Pump Combo (A)	94-009-21 (94-009-20)	12 VDC	3/8" Barb	3	Single	360°	White
Single Touch Faucet (B)	15-045-02 (15-045-02)	N/A	1/4"	N/A	Single	Twist	Chrome
Faucet without Switch	94-009-32 (94-009-12)	N/A	3/8" Barb	N/A	Single	360°	White



CE

Pentair Shurflo faucets offer smooth, easy flow with a washerless ceramic disc design. Versatile 360 degree spout rotation. Easy to use with city water system. 15-045-02 single touch faucet has a 1/4" port and works perfectly with filtration systems.

WASHDOWN PUMPS

PENTAIR SHURFLO® BLASTER II WASHDOWN PUMPS



CE

Name	OEM Model # (Aftermarket)	Voltage	Dimension	Flow Rate	Amps (Max.)	Shut-Off Pressure
Shurflo Blaster II	4238-121-A07 (4238-121-E07)	12 VDC	9" x 4.9" x 4.1" [229 x 124 x 104mm]	3.5 GPM [13.2 LPM]	7.5	45 PSI [3.1 BAR]
Shurflo Blaster II	4238-141-A07 (4238-141-E07)	24 VDC	9" x 4.9" x 4.1" [229 x 124 x 104mm]	3.5 GPM [13.2 LPM]	3.5	45 PSI [3.1 BAR]

The Pentair Shurflo Blaster II Washdown Pump design was created with a unique over-molded single-piece diaphragm, assuring long life and top performance in all marine washdown applications. Shurflo Blaster II washdown automatic demand pumps are thermally protected and can run dry without damage. Sealed switch. Ignition protected. 2 each 3/4" hose barb fittings, 1 each 3/4" GHT (M) fitting and nozzle included (aftermarket models only).

2 Year Warranty

PENTAIR PRO BLASTER II WASHDOWN PUMPS



A

Name	OEM Model # (Aftermarket)	Voltage	Dimension	Flow Rate	Amps (Max.)	Shut-Off Pressure
Shurflo Pro Blaster II Deluxe 4.0 (A)	4248-153-A09 (4248-153-E09)	12 VDC	10" x 5" x 4.75" [254 x 127 x 120mm]	4.0 GPM [15.1 LPM]	10	60 PSI [4.1 BAR]
Shurflo Pro Blaster II Deluxe 4.0 (A)	4248-163-A09 (4248-163-E09)	24 VDC	10" x 5" x 4.75" [254 x 127 x 120mm]	4.0 GPM [15.1 LPM]	5	60 PSI [4.1 BAR]
Shurflo Pro Blaster II Ultimate 5.0 (B)	4258-153-A09 (4258-153-E09)	12 VDC	10" x 5" x 4.75" [254 x 127 x 120mm]	5.0 GPM [18.9 LPM]	14	60 PSI [4.1 BAR]
Pro Blaster II Ultimate 5.0 (B)	4258-163-A09 (4258-163-E09)	24 VDC	10" x 5" x 4.75" [254 x 127 x 120mm]	5.0 GPM [18.9 LPM]	7	60 PSI [4.1 BAR]

Pentair Shurflo Pro Blaster II Washdown Pumps deliver superior performance, whether you are blasting away the grime on your deck, fish box scaling or anchor chain cleaning. Shurflo Pro Blaster II Washdown Pumps deliver high performance that provide a powerful consistent spray pattern. Built to withstand the tough marine environment with electro-coated motor, o-ring seals and fully sealed wire entries. Sealed switch. Ignition protected. Thermally protected. Inlet strainer, 2 each 3/4" hose barb fittings, 1 each 3/4" GHT (M) fitting and nozzle included (aftermarket models only).

2 Year Warranty

PENTAIR SHURFLO RAW WATER STRAINERS



A



B

CE

Name	OEM Model # (Aftermarket)	Description
1/2" Strainer (A) with fittings	253-120-00 (253-120-01)	50 Mesh Screen
1/2" Strainer with bracket & fittings	253-121-01 (253-121-01)	50 Mesh Screen
3/4" Strainer	253-220-00 (253-220-01)	50 Mesh Screen
3/4" Strainer with bracket & fittings	253-221-01 (253-221-01)	50 Mesh Screen
1" Strainer (B)	253-320-00 (253-320-01)	50 Mesh Screen
1" Strainer with bracket & fittings	253-321-01 (253-321-01)	50 Mesh Screen
1-1/4" Strainer	253-400-00 (253-400-01)	20 Mesh Screen
1-1/4" Strainer with bracket & fittings	253-401-01 (253-401-01)	20 Mesh Screen

Pentair Shurflo Raw Water Strainers are built to keep your bait tank, livewell and washdown pumps protected from harmful debris. Shurflo Raw Water Strainers feature a high capacity, rugged nylon housing with clear twist off polyamide bowl and removable stainless steel screen, which allows for easy inspection and cleaning. An integral o-ring creates a tight seal, eliminating possible leaks.

1 Year Warranty

WASHDOWN PUMPS



PENTAIR SHURFLO* BLASTER II WASHDOWN KIT

Name	OEM Model # (Aftermarket)	Description	Dimension	Voltage	Flow Rate	Amps (Max.)	Shut-Off Pressure
Shurflo Blaster II Washdown Kit 3.5 GPM	4338-121-A07 (4338-121-E07)	PentairShurflo Blaster II 3.5 Pump, Fittings, Nozzle, Strainer, 25' 3/8" coiled hose	9" x 4.9" x 4.1" [229 x 124 x 104mm]	12 VDC	3.5 GPM [13.2 LPM]	7.5	45 PSI [3.1 BAR]

Pentair Shurflo Blaster II Washdown Kit includes everything you need for washdown applications in fish box, scaling, anchor chain cleaning and blasting down the grimeiest decks all in one convenient package. The kit includes the Pentair Shurflo Blaster II 3.5 GPM pump, nozzle, strainer, fittings and a UV protected 25' coiled hose.

2 Year Warranty



PENTAIR SHURFLO PRO WASHDOWN KIT II

Name	OEM Model # (Aftermarket)	Description	Dimension	Voltage	Flow Rate	Amps (Max.)	Shut-Off Pressure
Shurflo Pro Washdown Kit II Deluxe 4.0 (A)	4348-153-A09 (4348-153-E09)	Pentair Shurflo Pro Blaster II Deluxe 4.0 Pump, Fittings, Nozzle, Raw Water Strainer, 25' 3/8" coiled hose	10" x 5" x 4.75" [254 x 127 x 120mm]	12 VDC	4.0 GPM [15.1 LPM]	10	60 PSI [4.1 BAR]
Shurflo Pro Washdown Kit II Ultimate 5.0	4358-153-A09 (4358-153-E09)	Pentair Shurflo Pro Blaster II Ultimate, 5.0 Pump, Fittings, Nozzle, Raw Water Strainer, 25' 1/2" coiled hose	10" x 5" x 4.75" [254 x 127 x 120mm]	12 VDC	5.0 GPM [18.9 LPM]	14	60 PSI [4.1 BAR]

Pentair Shurflo Pro Washdown Kit II is available in both Deluxe 4.0 and Ultimate 5.0 series. These kits include everything you need for those tough washdown applications in fish box, scaling, anchor chain cleaning and blasting down the grimeiest decks all in one kit! The kits include a washdown pump (Deluxe 4.0 or Ultimate 5.0), fittings, nozzle, raw water strainer and a 25' coiled hose.

2 Year Warranty

LIVEWELL PUMPS

PENTAIR SHURFLO® PRO BAITMASTER II LIVEWELL PUMPS



Name	OEM Model # (Aftermarket)	Description	Voltage	Dimension	Flow Rate	Amps (Max.)	Shut-Off Pressure
Shurflo Pro Baitmaster II	4648-153-A07 (4648-153-E07)	Continuous Duty, Splash Proof, Sealed Motor, Ignition Protected	12 VDC	10" x 5" x 4.75" [254 x 127 x 120mm]	4.0 GPM [15.1 LPM]	8	45 PSI [3.1 Bar]
Shurflo Pro Baitmaster II	4648-163-A07 (4648-163-E07)	Continuous Duty, Splash Proof, Sealed Motor, Ignition Protected	24 VDC	10" x 5" x 4.75" [254 x 127 x 120mm]	4.0 GPM [15.1 LPM]	4	45 PSI [3.1 Bar]

Pentair Shurflo Pro Baitmaster II Heavy Duty Livewell/Washdown Pumps are excellent for livewell or washdown applications in harsh marine environments. The seamless motor shell and sealed switch protects the pump from splashed liquids. Pump is self-priming and can run dry without damage. For tank size 35 gallons and under. Thermally protected. Ignition protected.

2 Year Warranty

PENTAIR SHURFLO BAIT SENTRY LIVEWELL PUMPS



Name	OEM Model # (Aftermarket)	Description	Tank Size (Gallons)	Dimension	Port Size Inlet/Outlet	Flow Rate	Amps (Max.)
Shurflo Bait Sentry 500 Magnetic Drive	1700-000-030 (1700-001-030)	12 VDC, Continuous Duty, Ignition Protected, ISO 8846	30	4.93" x 7.85" [125 x 200mm]	3/4" Inlet NPT 3/4" Outlet BARB	500 GPH [1893 LPH]	1.7
Shurflo Bait Sentry 800 Magnetic Drive	1700-010-030 (1700-011-030)		40	4.93" x 7.85" [125 x 200mm]	3/4" Inlet NPT 3/4" Outlet BARB	800 GPH [3028 LPH]	4
Shurflo Bait Sentry 1100 Magnetic Drive (A)	1700-020-030 (1700-021-030)		60	4.93" x 7.85" [125 x 200mm]	3/4" Inlet NPT 1-1/8" Outlet BARB	1100 GPH [4164 LPH]	4.2

Pentair Shurflo Bait Sentry Livewell Pumps are designed for easy installation and trouble-free operation. Magnetic Drive technology eliminates unnecessary failures. Patented anti-airlock feature allows the pump to clear trapped air in rough water or when boat is anchored. Includes dual port for easy washdown pump connection.

3 Year Warranty

PENTAIR SHURFLO HIGH FLOW LIVEWELL PUMPS



Name	OEM Model # (Aftermarket)	Description	Voltage	Dimension	Port Size Inlet/Outlet	Flow Rate	Amps (Max.)
Shurflo Livewell 1500	358-001-00 (358-001-10)	Anti-Airlock, Tough Nylon Housing, Washdown Port Connection, Submersible, Tinned 6' Wire Assembly, Ignition Protected, ISO 8846	12 VDC	8.3"x6.2" [210x157mm]	1" Inlet NPT 1-1/8" Outlet BARB	1500 GPH [5678 LPH]	8
Shurflo Livewell 2000	358-011-00 (358-011-10)		12 VDC	8.3"x6.2" [210x157mm]	1" Inlet NPT 1-1/8" Outlet BARB	2000 GPH [7570 LPH]	10
Shurflo Livewell 1500	358-101-00 (358-101-10)		24 VDC	8.3"x6.2" [210x157mm]	1" Inlet NPT 1-1/8" Outlet BARB	1500 GPH [5678 LPH]	4
Shurflo Livewell 2000	358-111-00 (358-111-10)		24 VDC	8.3"x6.2" [210x157mm]	1" Inlet NPT 1-1/8" Outlet BARB	2000 GPH [7570 LPH]	5

Heavy duty and built to last. Pentair Shurflo Shurflo 1500 and 2000 GPH nylon livewell pumps offer a unique motor cooling system (patent pending) to ensure efficient performance and long life. Designed for large livewell applications and comes standard with 6' tinned wire assembly.

2 Year Warranty

LIVEWELL PUMPS

PENTAIR SHURFLO® PIRANHA LIVEWELL PUMPS

Name	OEM Model # (Aftermarket)	Description	Voltage	Dimension	Port Size Inlet/Outlet	Flow Rate	Amps (Max.)
Shurflo Livewell 600	357-013-00 (357-013-10)	Removable Cartridge, Anti-Airlock, Tough Nylon Housing, Washdown Port Connection, Submersible, Tinned 6' Wire Assembly, Ignition Protected, ISO 8846	12 VDC	6.5" x 3.75" [165 x 95mm]	3/4" [19mm] Inlet 3/4" [19mm] Outlet	600 GPH [2270 LPH]	2
Shurflo Livewell 800	357-113-00 (357-113-10)		12 VDC	6.5" x 3.75" [165 x 95mm]	3/4" [19mm] Inlet 3/4" [19mm] Outlet	800 GPH [3027 LPH]	4.5
Shurflo Livewell 1100	357-103-00 (357-103-10)		12 VDC	6.5" x 3.75" [165 x 95mm]	3/4" [19mm] Inlet 1-1/8" [29mm] Outlet	1100 GPH [4163 LPH]	4.5

Smart. Reliable. Attractive. Efficient. Our tough, high density nylon housing and heavy duty water cooled motor give the Shurflo Livewell Pumps unparalleled reliability. Patented anti-airlock feature allows the pump to clear trapped air in rough water or when the boat is anchored. The dual port fitting allows for easy washdown pump connections.

2 Year Warranty



CE

PENTAIR SHURFLO PIRANHA STRAIGHT PORT AERATOR PUMPS

Name	OEM Model # (Aftermarket)	Description	Voltage	Dimension	Port Size Inlet/Outlet	Flow Rate	Amps (Max.)
Shurflo Straight Port Aerator 600	357-012-00 (357-012-10)	Removable Cartridge, Anti-Airlock, Tough Nylon Housing, Submersible, Tinned 6' Wire Assembly, Ignition Protected, ISO 8846	12 VDC	9.5" x 3.75" [241 x 95mm]	3/4" [19mm] Inlet 3/4" [19mm] Outlet	600 GPH [2270 LPH]	2
Shurflo Straight Port Aerator 800	357-112-00 (357-112-10)		12 VDC	9.5" x 3.75" [241 x 95mm]	3/4" [19mm] Inlet 3/4" [19mm] Outlet	800 GPH [3027 LPH]	4.5
Shurflo Straight Port Aerator 1100	357-102-00 (357-102-10)		12 VDC	9.5" x 3.75" [241 x 95mm]	3/4" [19 mm] Inlet 1-1/8" [29mm] Outlet	1100 GPH [4163 LPH]	4.5

Smart. Reliable. Attractive. Efficient. Our tough, high density nylon housing and heavy duty water cooled motor give the Pentair Shurflo Livewell Pumps unparalleled reliability. Patented anti-airlock feature allows the pump to clear trapped air in rough water or when the boat is anchored.

2 Year Warranty



CE

PENTAIR SHURFLO PIRANHA ANGLED PORT AERATOR PUMPS

Name	OEM Model # (Aftermarket)	Description	Voltage	Dimension	Port Size Inlet/Outlet	Flow Rate	Amps (Max.)
Shurflo Angled Port Aerator 600	357-014-00 (357-014-10)	Removable Cartridge, Anti-Airlock, Tough Nylon Housing, Submersible, Tinned 6' Wire Assembly, Ignition Protected, ISO 8846	12 VDC	7" x 7.5" [178 x 191mm]	3/4" [19mm] Inlet 3/4" [19mm] Outlet	600 GPH [2270 LPH]	2
Shurflo Angled Port Aerator 800	357-114-00 (357-114-10)		12 VDC	7" x 7.5" [178 x 191mm]	3/4" [19mm] Inlet 3/4" [19mm] Outlet	800 GPH [3027 LPH]	4.5
Shurflo Angled Port Aerator 1100	357-104-00 (357-104-10)		12 VDC	7" x 7.5" [178 x 191mm]	3/4" [19 mm] Inlet 1-1/8" [29mm] Outlet	1100 GPH [4163 LPH]	4.5

Smart. Reliable. Attractive. Efficient. Our tough, high density nylon housing and heavy duty water cooled motor give the Pentair Shurflo Livewell Pumps unparalleled reliability. Patented anti-airlock feature allows the pump to clear trapped air in rough water or when the boat is anchored.

2 Year Warranty



CE

PENTAIR SHURFLO LIVEWELL FILL VALVE

Name	OEM Model # (Aftermarket)	Description
Shurflo Livewell Fill Valve	330-010(*330-021)	Nylon Construction, 3/4" Full Port, Low Profile Design
Shurflo Livewell Fill Valve	330-000(*330-021)	Nylon Construction, 1-1/8" Full Port, Low Profile Design

*Includes both 3/4" and 1-1/8" Full Port Fittings

Keep your bait alive. Pentair Shurflo Livewell Fill Valve creates an energized environment that "keeps your bait alive." The full port fittings (3/4" or 1-1/8") assure the amount of flow required is achieved and maintained. The adjustable flow valve allows you to adjust the water flow to your desired amount.

3 Year Warranty



CE

BALLAST PUMPS



CE

PENTAIR SHURFLO* PIRANHA BALLAST PUMPS

Name	OEM Model # (Aftermarket)	Description	Voltage	Dimension	Port Size Inlet/Outlet	Flow Rate	Amps (Max.)
Shurflo Ballast 800	357-116-00 [357-116-10]	Removable Cartridge, Anti-Airlock, Tough Nylon Housing, Submersible, Tinned 6' Wire Assembly, Ignition Protected, ISO 8846	12 VDC	5.6" x 3.7" [142 x 94mm]	3/4" MNPT inlet 3/4" barb outlet	800 GPH [3027 LPH]	4.5
Shurflo Ballast 1100 (A)	357-106-00 [357-106-10]		12 VDC	5.6" x 3.7" [142 x 94mm]	3/4" MNPT inlet 1-1/8" barb outlet	1100 GPH [4163 LPH]	4.5

Everything you are looking for in a ballast pump. Our tough, high density nylon housing and heavy duty water cooled motor give the Pentair Shurflo Piranha Ballast Pumps unparalleled reliability. Patented anti-airlock feature allows the pump to clear trapped air. All Pentair Shurflo Ballast Series Pumps have a removable cartridge for easy cleaning and ease of replacement.

2 Year Warranty

PENTAIR SHURFLO HIGH FLOW BALLAST PUMPS



CE

Name	OEM Model # (Aftermarket)	Description	Voltage	Dimension	Port Size Inlet/Outlet	Flow Rate	Amps (Max.)
Shurflo High Flow Ballast	3300-000 [3300-001]	Reversible Flexible Impeller, Self Priming, Bronze Pump Body, Corrosion Resistant Electro-coated Motor, Ignition Protected	12 VDC	7.67" X 4.75" X 3.61" [195 X 121 X 92 mm]	1/2"[12.7mm] Internal Pipe Thread 1"[25.4mm] Hose Barb	15 GPM [56.8 LPM]	19

Pentair Shurflo High Flow Ballast Pump was specially designed and developed for high capacity ballast tank applications in ski and wake boats, providing rapid fill and drain rates in a readily adaptable configuration, able to operate on a 25 Amp circuit. The high efficiency, high torque motor in combination with a high modulus neoprene compound impeller provide fast priming, long life, and consistent performance. Close internal tolerances help reduce leak back when the pump is mounted below the ballast tank. Pentair Shurflo High Flow Ballast is built on the latest Shurflo motor series which includes fully sealed heavy die cast end bells, electro-coat finish throughout, and a steel mounting plate for reliable performance and durability in engine compartment conditions.

1 Year Warranty

PENTAIR SHURFLO STANDARD BALLAST PUMPS



CE

Name	OEM Model # (Aftermarket)	Description	Voltage	Dimension	Port Size Inlet/Outlet	Flow Rate	Amps (Max.)
Shurflo Standard Flow Ballast	3300-100 [3300-101]	Reversible Flexible Impeller, Self Priming, Bronze Pump Body, Corrosion Resistant Electro-coated Motor, Ignition Protected	12 VDC	6.62" X 4.75" X 6.61" [168 X 121 X 168mm]	1/2"[12.7mm] Internal Pipe Thread 1"[25.4mm] Hose Barb	12 GPM [45.7 LPM]	15

Pentair Shurflo Standard Ballast Pump was specially designed and developed for high capacity ballast tank applications in ski and wake boats, providing rapid fill and drain rates in a readily adaptable configuration, able to operate on a 25 Amp circuit. The high efficiency, high torque motor in combination with a high modulus neoprene compound impeller provide fast priming, long life, and consistent performance. Close internal tolerances help reduce leak back when the pump is mounted below the ballast tank. Pentair Shurflo Standard Ballast is built on the latest Pentair Shurflo motor series which includes fully sealed heavy die cast end bells, electro-coat finish throughout, and a steel mounting plate for reliable performance and durability in engine compartment conditions.

1 Year Warranty

BILGE PUMPS

PENTAIR SHURFLO® 380 - 1000 GPH BILGE PUMPS

Name	OEM Model # (Aftermarket)	Description	Voltage	Dimension	Round Footprint	Port Size Outlet	Flow Rate	Amps (Max.)
Shurflo Bilge 380	355-020-00 [355-020-10]	Continuous Duty, Submersible with 3' Tinned Wire Assembly, Anti-Airlock, ABS Housing w/ Nylon Impeller, Ignition Protected, ISO 8849	12 VDC	4.2" x 3.75" [114 x 95mm]	2-3/8" [86mm]	3/4" [19mm]	380 GPH [1438 LPH]	1.7
Shurflo Bilge 500	355-010-00 [355-010-10]		12 VDC	4.2" x 3.75" [114 x 95mm]	2-3/8" [86mm]	3/4" [19mm]	500 GPH [1893 LPH]	1.8
Shurflo Bilge 700	355-110-00 [355-110-10]		12 VDC	4.2" x 3.75" [114 x 95mm]	2-3/8" [86mm]	3/4" [19mm]	700 GPH [2650 LPH]	3.2
Shurflo Bilge 1000	355-100-00 [355-100-10]		12 VDC	4.2" x 3.75" [114 x 95mm]	2-3/8" [86mm]	1-1/8" [29mm]	1000 GPH [3785 LPH]	3.2



CE

Quality bilge pumps you can trust. Pentair Shurflo bilge pumps are built for the harsh marine environment to withstand the toughest conditions. Standard with 3' tinned wire assembly for below waterline installations.

3 Year Warranty

PENTAIR SHURFLO 1500 - 2000 GPH BILGE PUMPS

Name	OEM Model # (Aftermarket)	Description	Voltage	Dimension	Port Size Outlet	Flow Rate	Amps (Max.)
Shurflo Bilge 1500	358-000-00 [358-000-10]	Continuous Duty, Submersible with 6' [1.8 m] Tinned Wire Assembly. Anti-Air lock, Swivel Baseplate, Ignition Protected, ISO 8849	12 VDC	7.2" x 6.3" [184 x 160mm]	1-1/8" Outlet Barb	1500 GPH [5677 LPH]	8
Shurflo Bilge 2000	358-010-00 [358-010-10]		12 VDC	7.2" x 6.3" [184 x 160mm]	1-1/8" Outlet Barb	2000 GPH [7569 LPH]	10
Shurflo Bilge 1500	358-100-00 [358-100-10]		24 VDC	7.2" x 6.3" [184 x 160mm]	1-1/8" Outlet Barb	1500 GPH [5677 LPH]	4
Shurflo Bilge 2000	358-110-00 [358-110-10]		24 VDC	7.2" x 6.3" [184 x 160mm]	1-1/8" Outlet Barb	2000 GPH [7569 LPH]	5



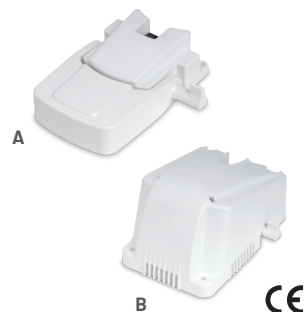
CE

Heavy duty and built to last. Pentair Shurflo 1500 and 2000 GPH nylon bilge pumps offer a unique motor cooling system (patent pending) to ensure efficient performance and long life. Installation is a snap with our patented swivel base and 6' tinned wire assembly.

3 Year Warranty

PENTAIR SHURFLO BILGE SWITCH

Name	OEM Model # (Aftermarket)	Description	Voltage	Dimension	Amps (Max.)
Shurflo Standard Automatic Float Switch (A)	359-101-30 [359-111-30]	Non-Mercury, Remote or Direct Mounting 3' Tinned Wire Assembly, Ignition Protected, ISO 8849	12/24 VDC	4.4" x 3.6" x 1.3" [112 x 92 x 32mm]	12
Shurflo Caged Automatic Float Switch (B)	359-101-40 [359-111-40]	Non-Mercury, Remote or Direct Mounting 3' Tinned Wire Assembly, Ignition Protected, ISO 8849	12/24 VDC	5.1" x 4.0" x 2.8" [130 x 102 x 71mm]	12

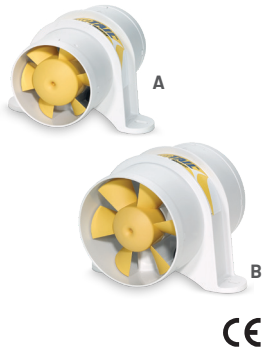


CE

Pentair Shurflo series float switches provide the ultimate in reliability for your boat. Complete line includes a standard automatic float switch and a caged automatic float switch.

3 Year Warranty

IN-LINE BLOWERS



PENTAIR SHURFLO® YELLOWTAIL IN-LINE BLOWERS

Name	OEM Model # (Aftermarket)	Description	Dimension	CFM	Amps (Max.)
Shurflo 3" YellowTail Blower (A)	277-3100 [277-3110]	12 VDC, CE, Continuous Duty, ISO 9097 Marine, Ignition Protected, USCG 183.410 Compliant, NMMA Type Accepted, ABYC	5.1" x 5.5" x 3.8" [130 x 140 x 96mm]	120	3.7
Shurflo 4" YellowTail Blower (B)	277-4100 [277-4110]	12 VDC, CE, Continuous Duty, ISO 9097 Marine, Ignition Protected, USCG 183.410 Compliant, NMMA Type Accepted, ABYC	5.1" x 6.4" x 4.8" [130 x 162 x 122mm]	220	5.2

Pentair Shurflo has developed a unique nylon fan that includes 6 blades to ensure high performance and efficient ventilation. Installation of the Pentair Shurflo Yellowtail Blower is made easy with extended barbs and slotted mounting bracket.

3 Year Warranty

MACERATOR PUMPS



PENTAIR SHURFLO MACERATOR PUMPS

Name	OEM Model # (Aftermarket)	Voltage	Dimension	Flow Rate	Amps (Max.)	Port Size
Shurflo Macerator 12 VDC (A)	3200-000 [3200-001]	12 VDC	10.6" x 4.9" x 3.8" [269 x 125 x 97mm]	13 GPM [49 LPM]	17	Inlet 1-1/2" Barb/ 1-1/2" NPT Outlet 1" Barb
Shurflo Macerator 12 VDC 180 Degree Port	3200-100 [3200-101]	12 VDC	10.6" x 4.9" x 3.8" [269 x 125 x 97mm]	13 GPM [49 LPM]	17	Inlet 1-1/2" Barb/ 1-1/2" NPT Outlet 1" Barb
Shurflo Macerator 24 VDC	3200-010 [3200-011]	24 VDC	10.6" x 4.9" x 3.8" [269 x 125 x 97mm]	13 GPM [49 LPM]	9	Inlet 1-1/2" Barb/ 1-1/2" NPT Outlet 1" Barb
Shurflo Macerator 24 VDC 180 Degree Port	3200-110	24 VDC	10.6" x 4.9" x 3.8" [269 x 125 x 97mm]	13 GPM [49 LPM]	9	Inlet 1-1/2" Barb/ 1-1/2" NPT Outlet 1" Barb

Designed specifically for sanitation waste and fish box evacuations, Pentair Shurflo Macerator Pumps features a premium impeller design with run-dry capability and includes our seamless shell motor with o-ring sealed end bells and a sealed manual turn key. The unique dual blade and housing construction ensure reliable pumping, providing superior performance in harsh marine environments. Thermally protected and ignition protected.

1 Year Warranty

GENERAL PURPOSE PUMPS

PENTAIR SHURFLO GENERAL PURPOSE PUMPS

Name	OEM Model # (Aftermarket)	Description	Dimensions	Flow Rate	Amps (Max.)	Port Size
Shurflo General Purpose Pump Standard (A)	8050-305-526 [8050-305-526]	12 VDC - Ignition Protected. BUNA Valves, CE, 7' [2.1m] Prime, Hose kit Included, Uses: Winterizing, Oil Change and Liquid Transfers	6.5" x 4.5" x 4.3" [165 x 114 x 108mm]	1.5 GPM [5.6 LPM]	4	3/8" F NPT
Shurflo General Purpose Pump Premium (B)	8050-305-626 [8050-305-626]	12 VDC - Ignition Protected. BUNA Valves, CE, 7' [2.1m] Prime, 8' Cable with Battery Clips, Hose kit Included, Uses: Winterizing, Oil Change and Liquid Transfers	7.8" x 4.5" x 4.3" [198 x 114 x 108mm]	1.5 GPM [5.6 LPM]	4	3/8" F NPT
Shurflo Oil Change/Winterizing System (C)	8050-305-426 [8050-305-426]	12 VDC - 8' [2.4 m] Cable w/ Battery Clips, CE, Hose kit and 3.5 Gal [13L] Storage Container, Uses: Oil changing, winterizing and liquid transfer	16" H x 12.5" D [406 x 318mm]	1.5 GPM [5.6 LPM]	4	3/8" F NPT
Shurflo Drill Pump (D)	3010-000 [3010-000]	1/4" [6mm] Drill Shaft - Flexible BUNA Impeller, 8' [2.4m] Prime, Uses: Oil Change and Liquid Transfers	-	200 GPH [757 LPH]	-	3/4" GSH M

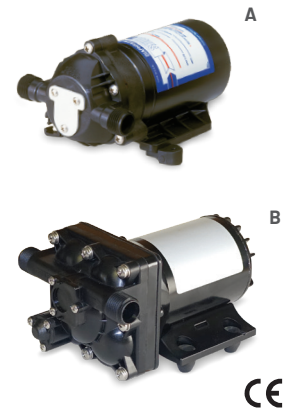


Easy to install and are extremely versatile—perfect for a variety of uses including winterizing, oil changing and liquid transfer. Thermally protected.

1 Year Warranty

PENTAIR SHURFLO SPECIALTY PUMPS

Name	OEM Model # (Aftermarket)	Description	Dimensions	Flow Rate	Amps (Max.)	Maximum Pressure
Shurflo Refrigeration Circulation Pump (A)	8050-261-105 [8050-261-105]	12 VDC-CE Version, No switch, Continuous Duty Motor, Cold Plate Refrigeration Pump	7.3" x 4.3" x 4.4" [185 x 109 x 112mm]	0.5 GPM [1.9 LPM]	1.5	30 PSI [2.1 BAR]
Shurflo Refrigeration Circulation Pump (B)	4728-110-E10 [4728-110-E10]	12 VDC-CE Version, No switch, Continuous Duty Motor, Cold plate Refrigeration Pump	7.2" x 4.9" x 4.5" [183 x 125 x 114mm]	2 GPM [7.5 LPM]	3.5	45 PSI [3.1 BAR]



Specifically designed for refrigeration cold plate circulation, each pump features a positive displacement diaphragm and EPDM valves for proven priming ability and longer life.

1 Year Warranty

ACCESSORIES

PENTAIR SHURFLO PRE-PRESSURIZED ACCUMULATOR TANKS

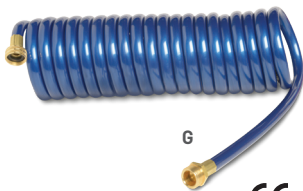
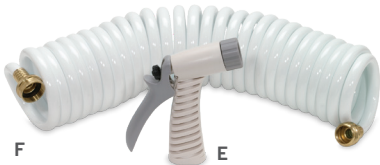
Name	OEM Model # (Aftermarket)	Dimensions	Total Volume	Maximum PSI
Shurflo 24 oz. Nylon Tank (A)	182-100 [182-200]	9.1" x 4.8" x 3.8" [232 x 121 x 97mm]	24 oz. [710 ml]	125 PSI [8.8 BAR]
Shurflo 2 Gallon Stainless Steel Tank (B)	3400-002 [3400-002]	12" H, 9" D [23cm H, 10cm D]	2 Gallons [8 L]	100 PSI [7 BAR]

Minimizes cycling pulsation and pressure spikes while increasing the life of your pump—and saving battery power. Easily handles pressure requirements from 20 PSI to 125 PSI.

1 Year Warranty



ACCESSORIES



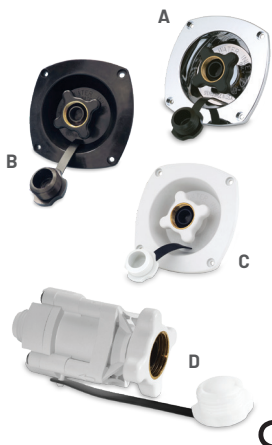
PENTAIR SHURFLO® WATER SYSTEM ACCESSORIES

Name	OEM Model # (Aftermarket)	Description	Designation
Shurflo Twist-On Water Strainer	255-223 [255-323]	Easy Assembly, keeps debris out of pump, Transparent, easy to see when strainer needs cleaning, 50 Mesh Stainless Steel Screen	1/2" [13mm] Barb Inlet
Shurflo Twist-On Water Strainer (A)	255-213 [255-313]	Easy Assembly, keeps debris out of pump, Transparent, easy to see when strainer needs cleaning, 50 Mesh Stainless Steel Screen	1/2" [13mm] Pipe Inlet
Shurflo Swivel Nut Water Strainer	255-215 [255-315]	Easy Assembly, keeps debris out of pump, Transparent, easy to see when strainer needs cleaning, 50 Mesh Stainless Steel Screen	1/2" [13mm] Pipe Inlet
Shurflo Swivel Nut Water Strainer (B)	255-225 [255-325]	Easy Assembly, keeps debris out of pump, Transparent, easy to see when strainer needs cleaning, 50 Mesh Stainless Steel Screen	1/2" [13mm] Barb Inlet
Shurflo Pump Silencing Kit (C)	94-591-01	Includes 2 each of 411-030-00 and 2 each 1/2" [13mm] Male Pipe Couplers	1/2" [13mm] Female Swivel Fitting
Shurflo 18" [457mm] Riser	411-010-00	18" [457mm] Flexible 1/2" Hose Riser	1/2" [13mm] Female Swivel Fitting
Shurflo 30" [762mm] Riser	411-020-00	30" [762mm] Flexible 1/2" [13mm] Hose Riser	1/2" Female Swivel Fitting
Shurflo 36" [914mm] Riser	411-030-00	36" [914mm] Flexible 1/2" [13mm] Hose Riser	1/2" [13mm] Female Swivel Fitting
Shurflo In-Line Check Valve (D)	340-000 [340-001]	Allows flow in one direction only to safeguard against backsurge up to 100 PSI [6.8 BAR]	1/2" [13mm] Barb
Shurflo High Pressure Blaster Nozzle (E)	15-010 [94-010-00]	High Impact Plastic for long life, use with Shurflo Pumps or garden hose, adjusts to fine mist or full stream, lock clip for continuous spray	3/4" [19mm] Garden Hose Thread
Shurflo Self-Coiling Hose (F)	7-071-25 [7-071-25]	25' [7.6m], 3/8" [9.5mm] Diameter, White Coiled Hose	3/4" [19mm] Garden Hose Thread
Shurflo Self-Coiling Hose (G)	7-137-25 [7-137-25]	25' [7.6m], 1/2" [13mm] Diameter, Blue Coiled Hose	3/4" [19mm] Garden Hose Thread

Designed for safety and convenience, Pentair Shurflo accessories are built to last. Big protection from small, yet essential products

1 Year Warranty

PENTAIR SHURFLO PRESSURE REDUCING CITY WATER ENTRIES



Name	OEM Model # (Aftermarket)		Color
	50 PSI Model	65 PSI Model	
Shurflo Wall Mount (A)	—	183-020-14 [183-029-14]	Chrome
Shurflo Wall Mount (B)	—	183-020-16 [183-029-16]	Black
Shurflo Wall Mount (C)	—	183-020-18 [183-029-18]	Gel White
Shurflo In-Line (D)	[183-039-08]	N/A	Gel White

The exclusive Pentair Shurflo diaphragm design prevents high-pressure damage often caused by city water. These high performance water entries limit water pressure and include a check valve. 3/4" GHT- Female Swivel Inlet. 1/2" NPSM - Male Outlet. 1/2" swivel elbow fitting included.

1 Year Warranty

FILTRATION

PENTAIR® GAC 5" CARTRIDGE

Name	OEM Model # (Aftermarket)	Cartridge Media	Taste & Chlorine	Lead	Cyst	THM's VOC's	Pesticides	Micron Rating
Pentair 5" Cartridge	155110-43	Granular Activated Carbon	•			•	•	20



PENTAIR C-2 5" CARTRIDGE

Name	OEM Model # (Aftermarket)	Cartridge Media	Taste & Chlorine	Lead	Cyst	THM's VOC's	Pesticides	Micron Rating
Pentair 5" Cartridge	155022-43	Carbon Wrapped Paper	•			•	•	5



PENTAIR PF 10" CARTRIDGE

Name	OEM Model # (Aftermarket)	Cartridge Media	Taste & Chlorine	Lead	Cyst	THM's VOC's	Pesticides	Micron Rating
Pentair 10" Cartridge	155014-43	Spun Polypropylene						5

Low pressure drop and high flow in a cellulose-free gradient density spun fiber solid matrix.



PENTAIR C1 10" CARTRIDGE

Name	Model #	Cartridge Media	Taste & Chlorine	Lead	Cyst	THM's VOC's	Pesticides	Micron Rating
Pentair 10" Cartridge	155002-43	Carbon Wrapped Paper	•			•	•	5

Economic solution for basic chlorine, taste and odor reduction. Low pressure drop and high flow.



PENTAIR CC-10 10" CARTRIDGE

Name	OEM Model # (Aftermarket)	Cartridge Media	Taste & Chlorine	Lead	Cyst	THM's VOC's	Pesticides	Micron Rating
Pentair 10" Cartridge	155155-43	Granular Activated Carbon (GAC)	•			•	•	20

Low pressure drop in a high flow, long life coconut shell carbon design.



PENTAIR CFBC-10 10" CARTRIDGE

Name	OEM Model # (Aftermarket)	Cartridge Media	Taste & Chlorine	Lead	Cyst †	THM's VOC's	Pesticides	Micron Rating ‡
Pentair 10" Cartridge	255679-43	Modified Carbon Block	•		•	•	•	0.5

Low pressure drop in a long life cellulose-free synthetic fiber matrix. *Based on Manufacturer's internal testing.

† Reduces cysts such as Cryptosporidium and Giardia by mechanical means.

‡ Reduces particles as small as 0.5 micron in size by mechanical means.



FILTRATION



PENTAIR® CFB-PB10 10" CARTRIDGE

Name	Model #	Cartridge Media	Taste & Chlorine	Lead	Cyst †	THM's VOC's	Pesticides	Micron Rating ‡
Pentair 10" Cartridge	255681-43	Modified Carbon Block	•	•	•	•	•	0.5

Added lead reduction in a low pressure drop, high flow, long life cellulose-free synthetic fiber matrix.

*Based on Manufacturer's internal testing.

† Reduces cysts such as Cryptosporidium and Giardia by mechanical means.

‡ Reduces particles as small as 0.5 micron in size by mechanical means.



PENTAIR UDS-10EX1 10" CARTRIDGE

Name	Model #	Cartridge Media	Taste & Chlorine	Lead	Cyst	THM's VOC's	Pesticides	Micron Rating
Pentair 10" Cartridge	255800-43	KDF/Carbon	•	•		•	•	5

Superior long life, quad-stage bacteriostatic KDF/carbon filter with excellent heavy metal removal.

PENTAIR IN-LINE WATER FILTERS WATERGUARD

Model #	Cartridge Media	Description	Taste & Chlorine	Heavy Metals	THM's VOC's	Pesticides	Micron Rating	Fittings/Port Size and Accessories
Pentair 255521-43 10" In-Line Filter (A)	Granular Activated Carbon (GAC)	Long life triple-stage Carbon in-line city water entry filter with 1/4" NPT-Female ends	•	•	•		5	1/4" NPT Female Ports
Pentair 255525-43 10" In-Line Filter	Granular Activated Carbon (GAC)	Long life triple stage Carbon in-line city water entry filter with 1/4" Quick Connect ends	•	•	•		5	1/4" Quick Connect Ports
Pentair RV-210GH-A City Water Entry In-Line Filter (C)	Activated Carbon	Long life, triple-stage Carbon in-line city water entry filter with garden hose ends	•	•	•	•	5	3/4" Garden Hose Ports
Pentair RV-210GH-KDF-A City Water Entry In-Line Filter	KDF /Carbon	Long life, high quality quad-stage bacteriostatic KDF/carbon in-line city water entry filter with garden hose ends	•	•	•	•	5	3/4" Garden Hose Ports
Pentair 94-009-50 10" In-Line Interior Filter (B)	KDF /Carbon	Long-life, high quality quad-stage bacteriostatic KDF/carbon in-line filter with fittings for every interior need	•	•	•	•	5	1/4" NPT-F Both Ends, fittings included: 2 ea. 1/2" MPT, 2 ea. Quick Connect & 2 ea. ColdFittings



FILTRATION

PENTAIR® FIN-LINE WATER FILTER ACCESSORY

Name	Model #	Description
Pentair In-Line Filter Clip	244454	For use with all 10" [254mm] In-Line Filter Housings

PENTAIR EVERPURE® FILTERS

Model #	Cartridge Media	Description	Taste & Chlorine	Heavy Metals	Cyst †	THM's VOC's	Pesticides	Micron Rating ‡
EV959206 Everpure Full-Timer (A)	Micro-Pure Pleated	Exclusive technology reduces 99.9% of all particles 0.5 micron in size	•		•	•		0.5
EV959207 Everpure Part-Timer (B)	Carbon Block	Exclusive technology reduces 99.9% of all particles 0.5 micron in size, Twin-pack	•		•	•		0.5

† Reduces cysts such as Cryptosporidium and Giardia by mechanical means.

‡ Reduces particles as small as 0.5 micron in size by mechanical means.



PENTAIR EVERPURE COMPLETE AFTERMARKET FILTER SYSTEM COMPONENTS

Name	Model #	Includes	Description † ‡
Everpure Filter Housing (A)	RV-10UC-A	C1 Filter, Housing, Wrench, Bracket Kit, Fittings, Garden Hose	Complete 10" Filter Housing with filter and garden hose fittings for use inside under the counter, as a whole house filter, or outside as a city water or tank fill filter
Everpure Filtration System w/ POP	EV925200	2 Complete EV925205 Systems with POP Display Carton (Not Shown)	Exclusive Everpure Filtration System, includes installation kit and super chlorination disinfection kit. Protects against bacteria, viruses and cysts down to 0.5 micron in size
Everpure Complete Kit (B)	EV925205	EV959206 Filter, Housing, By-Pass, Installation Kit	Exclusive Everpure Filtration System, includes installation kit and super chlorination disinfection kit. Protects against bacteria, viruses and cysts down to 0.5 micron in size

† Reduces cysts such as Cryptosporidium and Giardia by mechanical means.

‡ Reduces particles as small as 0.5 micron in size by mechanical means.



O-RING KIT

Name	Model #	Description
Everpure O-Ring Kit	94-178-09	10-Pack O-Ring Kit for 10" Waterguard Filter Housing (RV-10UC-A)

SLIM-LINE FILTRATION SYSTEM COMPONENTS

Name	Model #	Description
Everpure Housing (A)	158196	10" Housing with 1/2" Female Ports
Everpure Housing	158195	10" Housing with 1/2" Female Ports with Pressure Relief
Everpure SW-1A Wrench (B)	150539	Slim-Line Filter Housing Wrench
Everpure Bracket Kit (C)	244047	Slim-Line Filter Housing Mounting Bracket with Screws
Everpure Single Pack O-Ring Kit	151121	Single-Pack O-Ring Kit for 10" Slim-Line Filter Housing



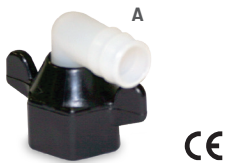
PUMP FITTINGS

PENTAIR SHURFLO® STRAIGHT FITTINGS



Model # Straight Fittings	Style	Material	Description
244-2916	Wingnut Swivel	Nylon	1/2"-15 NPT (F) x 3/8" Barb
244-2926 (A)	Wingnut Swivel	Nylon	1/2"-14 NPT (F) x 1/2" Barb
244-2936	Wingnut Swivel	Nylon	1/2"-14 NPT (F) x 5/8" Barb
244-2946	Wingnut Swivel	Nylon	1/2"-14 NPT (F) x 3/4" Barb
244-5146	Adapter	Nylon	1/2" NPT (M) x 3/4" Barb

PENTAIR SHURFLO ELBOW FITTINGS



Model # Elbow Fittings	Style	Material	Description
244-3366	Wingnut Swivel	Nylon	1/2"-14 NPT (F) x 1/2"-14 NPT (M)
244-3916	Wingnut Swivel	Nylon	1/2"-14 NPT (F) x 3/8" Barb
244-3926 (A)	Wingnut Swivel	Nylon	1/2"-14 NPT (F) x 1/2" Barb
244-3936	Wingnut Swivel	Nylon	1/2"-14 NPT (F) x 5/8" Barb
244-3946	Wingnut Swivel	Nylon	1/2"-14 NPT (F) x 3/4" Barb

PENTAIR SHURFLO GARDEN HOSE WINGNUT FITTING



Model # Wing Nut Fitting	Style	Material	Description
244-2356	Wingnut Swivel	Nylon	3/4" GHT (M) x 1/2" NPT (F)

PENTAIR SHURFLO SWIVEL STRAIGHT FITTING ADAPTER



Model # Fitting Adapter	Style	Material	Description
244-2866	Wingnut Swivel (Pump/Accumulator Fitting)	Nylon	1/2" NPT (F) x 1/2" NPT (F)

PENTAIR SHURFLO TEE FITTING



Model # Tee Fitting	Style	Material	Description
244-4522	Barb Tee	Polypropolene	1/2" Barb x 1/2" Barb x 1/2" Barb

PUMP REPAIR AND REBUILD KITS

Pentair Shurflo® pumps have set the standard for marine performance and reliability. To keep that performance and reliability at its peak, Pentair Shurflo offers a wide range of kits for bench and field repair. For detailed listings of individual part numbers, refer to Pentair Shurflo pricing guides and repair manuals. This overview indicates the type of kits available.

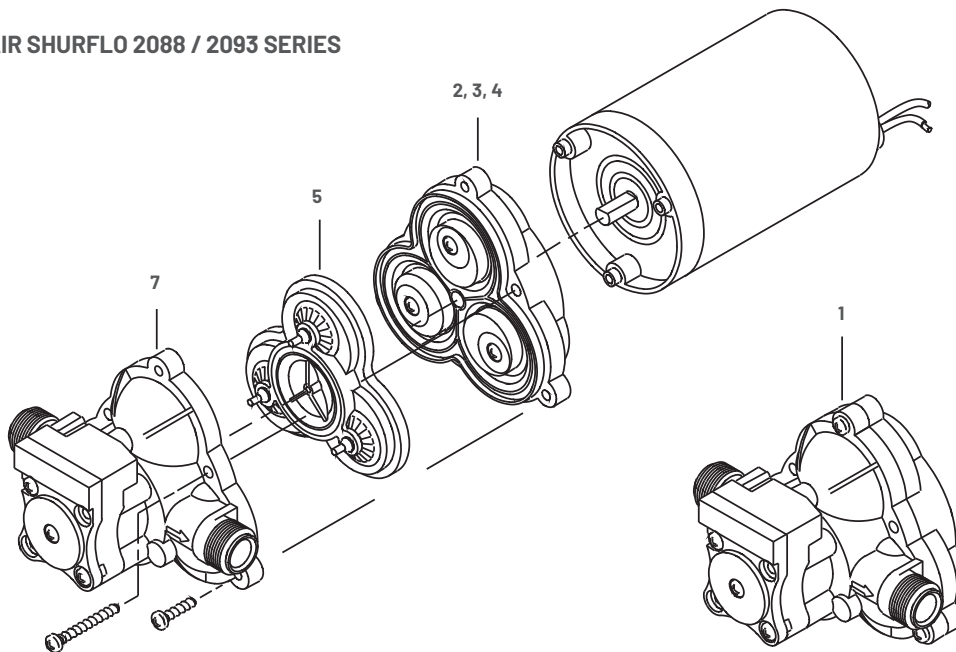
PENTAIR SHURFLO 2088 / 2093 SERIES

Name	OEM Model # (Aftermarket)	Pumphead Repair Kit	Lower Housing**	Drive Assembly	Diaphragm	Valve Assembly	Check Valve (not shown)	Switch & Upper Housing
		1	2	3	4	5	6	7
Shurflo Standard	2088-423-344 [2088-423-344]	94-236-03	94-238-04	Included in lower housing kit		94-232-06	94-237-00	94-231-10
Shurflo Standard	2088-743-244 [2088-573-354]	94-236-03	94-238-04			94-232-06	94-237-00	94-231-10
Shurflo Silencer	2093-224-313 [2093-224-313]	94-236-03	94-238-03			94-232-06	94-237-00	94-231-10
Shurflo Deluxe	2088-733-244 [2088-433-344]	94-236-03	94-238-04			94-232-06	94-237-00	94-231-10
Shurflo Premium	2088-712-244 [2088-414-934]	94-236-14	94-238-03			94-232-06	94-237-00	94-231-10
Shurflo Standard Blaster	2088-732-244 [2088-534-344]	94-236-14	94-238-03			94-232-06	94-237-00	94-231-10
Shurflo Standard Blaster†	2088-752-244 [2088-574-344]	94-236-14	94-238-03			94-232-06	94-237-00	94-231-10
Shurflo Pro Blaster	2088-732-234 [2088-534-944]	94-236-14	94-238-03			94-232-06	94-237-00	94-231-10
Shurflo Pro Baitmaster	2088-721-234 [2088-414-734]	94-236-14	94-238-03			94-232-06	94-237-00	94-231-10
Shurflo Pro Baitmaster†	2088-762-234 [2088-574-734]	94-236-14	94-238-03			94-232-06	94-237-00	94-231-10

†These pump models are 24 VDC . All other pump models are 12 VDC.

**Includes diaphragm and drive assembly.

PENTAIR SHURFLO 2088 / 2093 SERIES

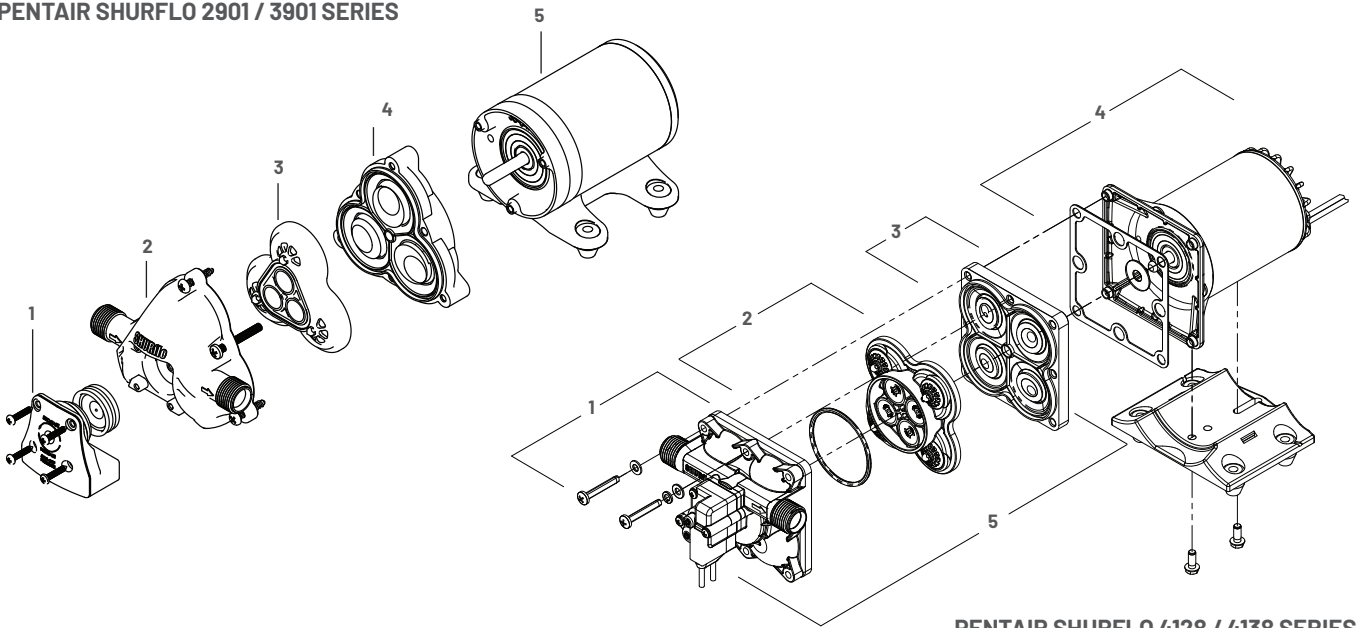


PUMP REPAIR AND REBUILD KITS

PENTAIR SHURFLO® 2901 / 3901 SERIES

Name	OEM Model # (Aftermarket)	Switch	Upper Housing	Valve Assembly	Drive Assembly	Motor
		1	2	3	4	5
Shurflo Aqua King Standard	3901-0206 [3901-0216]	94-706-00	94-706-01	94-706-02	94-706-06	94-77-023-17
Shurflo Aqua King® Standard 24 VDC	3901-1206 [3901-1216]	94-706-01	94-238-04	94-706-02	94-706-06	94-77-029-17
Shurflo Blaster	3901-2204 [3901-2214]	94-706-03	94-706-03	94-706-02	94-706-06	94-77-043-17
Shurflo Blaster 24 VDC	3901-3204 [3901-3214]	94-706-03	94-706-01	94-706-02	94-706-06	94-77-003-17
Shurflo Pro Blaster Junior	2901-6203 [2901-6213]	94-706-04	94-706-01	94-706-02	94-706-06	94-77-035-17
Shurflo Aqua King Junior	2901-0203 [2901-0213]	94-706-04	94-706-01	94-706-02	94-706-06	94-77-035-17

PENTAIR SHURFLO 2901 / 3901 SERIES



PENTAIR SHURFLO 4128 / 4138 SERIES

PENTAIR SHURFLO 4128 / 4138 SERIES

Name	OEM Model # (Aftermarket)	Upper Assembly	Valve Assembly	Drive Assembly	Motor & Gasket	Pump Head	Check Valve (Not Shown)
		1	2	3	4	5	6
Shurflo Aqua King Junior II	4128-110-A04 [4128-110-E04]	94-800-22	94-800-01	94-800-25	94-71-003-07	94-800-28	94-800-03
Shurflo Aqua King Standard	4138-111-A65 [4138-111-E65]	94-800-23	94-800-01	94-800-26	94-71-005-07	94-800-29	94-800-03
Shurflo Aqua King Standard 24 VDC	4138-131-A65 [4138-131-E65]	94-800-23	94-800-01	94-800-26	94-71-006-07	94-800-29	94-800-03

PUMP REPAIR AND REBUILD KITS

PENTAIR SHURFLO® 4148/4149/4158 SERIES

Name	OEM Model # (Aftermarket)	Upper Assembly	Valve Assembly	Drive Assembly	Motor & Gasket	Pump Head	Check Valve (Not Shown)
		1	2	3	4	5	6
Shurflo Aqua King II Premium 4.0	4148-153-A75 [4148-153-E75]	94-801-10	94-800-01	94-801-02	94-71-001-07	94-801-11	94-800-03
Shurflo Aqua King II Premium 4.0 24 VDC	4148-163-A75 [4148-163-E75]	94-801-10	94-800-01	94-801-02	94-71-001-03	94-801-11	94-800-03
Shurflo Aqua King II Supreme 5.0	4158-153-A75 [4158-153-E75]	94-801-10	94-800-01	94-801-12	94-71-000-17	94-801-13	94-800-03
Shurflo Aqua King II Supreme 5.0 24 VDC	4158-163-A75 [4158-163-E75]	94-801-10	94-800-01	94-801-12	94-71-001-04	94-801-13	94-800-03

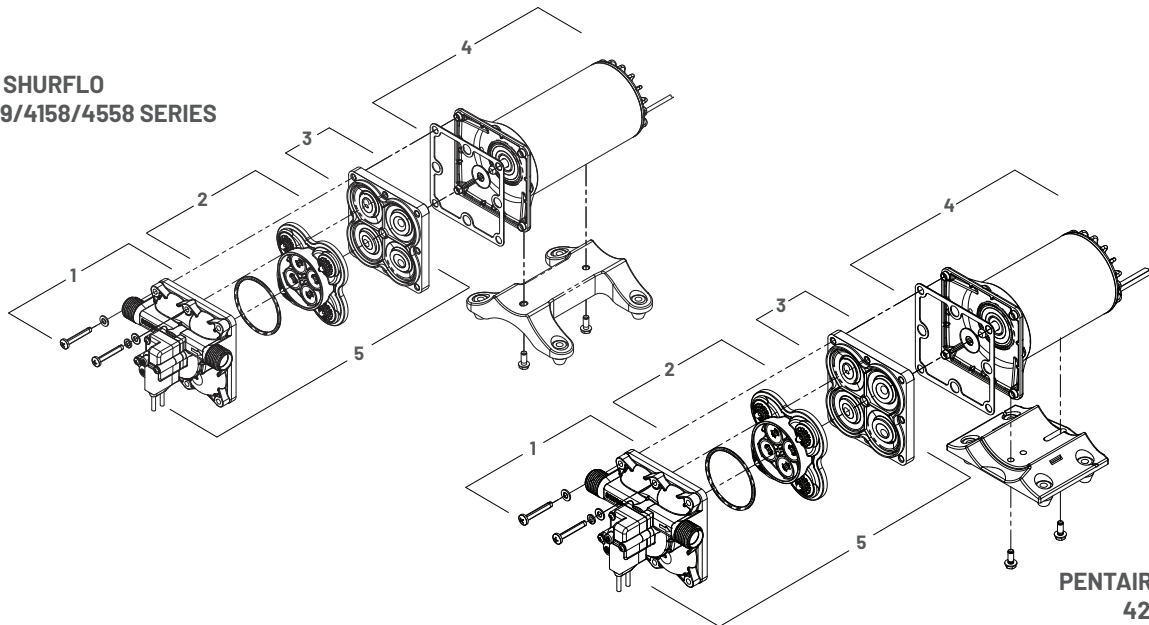
PENTAIR SHURFLO 4558 SERIES

Name	OEM Model # (Aftermarket)	Upper Assembly	Valve Assembly	Drive Assembly	Motor & Gasket	Pump Head	Check Valve (Not Shown)
		1	2	3	4	5	6
Shurflo High Flow System 12V 4558-153-E75	4158-153-A75 [4158-153-E75*]	94-801-10	94-800-01	94-801-12	94-71-000-17	94-801-13	94-800-03
	4258-153-A09 [4258-153-E09*]	94-805-01	94-800-01	94-801-02	94-71-004-17	94-804-03	94-800-03
Shurflo High Flow System 24V 4558-163-E75	4158-163-A75 [4158-163-E75**]	94-801-10	94-800-01	94-801-12	94-71-001-04	94-801-13	94-800-03
	4258-163-A09 [4258-163-E09**]	94-805-01	94-800-01	94-801-02	94-71-001-04	94-805-02	94-800-03

*12V replacement pumps

**24V replacement pumps

PENTAIR SHURFLO 4148/4149/4158/4558 SERIES



PENTAIR SHURFLO
4238 SERIES

PENTAIR SHURFLO 4238 SERIES

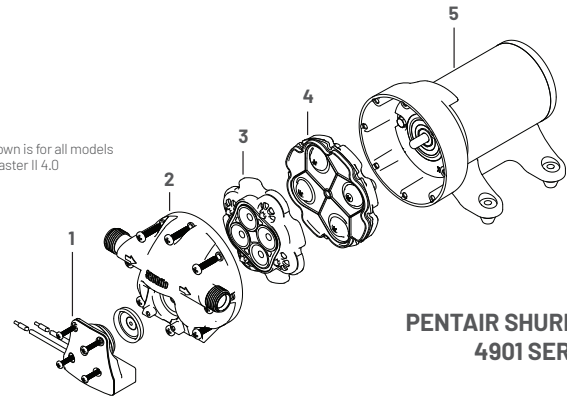
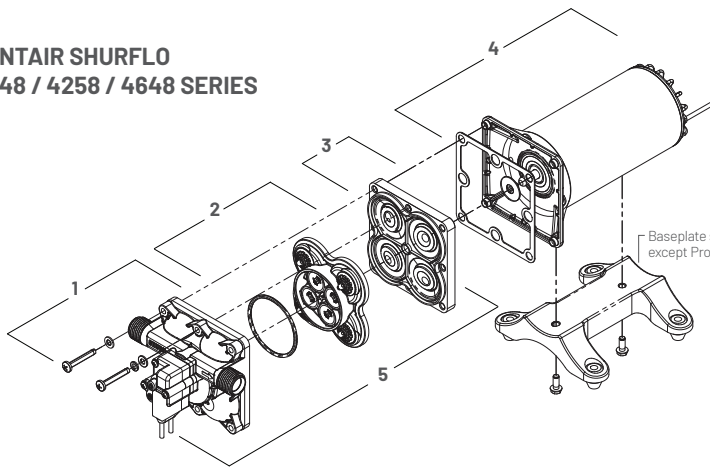
Name	OEM Model # (Aftermarket)	Upper Assembly	Valve Assembly	Drive Assembly	Motor & Gasket	Pump Head	Check Valve (Not Shown)
		1	2	3	4	5	6
Shurflo Blaster II	4238-121-A07 [4238-121-E07]	94-800-13	94-800-01	94-800-15	94-71-002-07	94-800-17	94-800-03
Shurflo Blaster II 24 VDC	4238-141-A07 [4238-141-E07]	94-800-13	94-800-01	94-800-15	94-71-001-17	94-800-17	94-800-03

PUMP REPAIR AND REBUILD KITS

PENTAIR SHURFLO 4248 / 4258 / 4648 SERIES

Name	OEM Model # (Aftermarket)	Upper Assembly	Valve Assembly	Drive Assembly	Motor & Gasket	Pump Head	Check Valve (Not Shown)
		1	2	3	4	5	6
Shurflo Pro Blaster II Deluxe 4.0	4248-153-A09 [4248-153-E09]	94-804-02	94-800-01	94-801-02	94-71-001-07	94-804-03	94-800-03
Shurflo Pro Blaster II Deluxe 4.0 24 VDC	4248-163-A09 [4248-163-E09]	94-804-02	94-800-01	94-801-02	94-71-001-03	94-804-03	94-800-03
Shurflo Pro Blaster II Ultimate 5.0	4258-153-A09 [4258-153-E09]	94-804-02	94-800-01	94-801-02	94-71-004-17	94-804-03	94-800-03
Shurflo Pro Blaster II Ultimate 5.0 24 VDC	4258-163-A09 [4258-163-E09]	94-804-02	94-800-01	94-801-02	94-71-001-04	94-804-03	94-800-03
Shurflo Pro BaitMaster II 4.0	4648-153-A07 [4648-153-E07]	94-805-01	94-800-01	94-801-02	94-71-001-07	94-805-02	94-800-03
Shurflo Pro BaitMaster II 4.0 24 VDC	4648-163-A07 [4648-163-E07]	94-805-01	94-800-01	94-801-02	94-71-001-03	94-805-02	94-800-03

PENTAIR SHURFLO 4248 / 4258 / 4648 SERIES



PENTAIR SHURFLO 4901 SERIES

PENTAIR SHURFLO 4901 SERIES

Name	OEM Model # (Aftermarket)	Switch	Upper Housing	Valve Assembly	Drive Assembly**	Motor
		1	2	3	4	5
Shurflo Aqua King® Premium	4901-4202 [4901-4212]	94-668-00	94-670-01	94-669-00	94-670-00	94-77-013-17
Shurflo Pro Blaster	4901-5292 [4901-5282]	94-668-00	94-670-01	94-669-00	94-670-00	94-77-013-17
Shurflo Pro Blaster 24 VDC	4901-5292 [4901-5282]	94-668-00	94-670-01	94-669-00	94-670-00	94-77-028-17
Shurflo Pro Baitmaster	4901-6202 [4901-6212]	94-668-00	94-670-01	94-669-00	94-670-00	94-77-025-17
Shurflo Pro Baitmaster 24 VDC	4901-7202 [4901-7212]	94-668-00	94-670-01	94-669-00	94-670-00	94-77-026-17
Shurflo Smart Sensor 4.0	4901-0201 [4901-0211]	—	94-670-01	94-669-00	94-670-00	—
Shurflo Smart Sensor 4.0 24 VDC	4901-1201 [4901-1211]	—	94-670-01	94-669-00	94-670-00	—

** For use on pumps manufactured June 2006 or later.

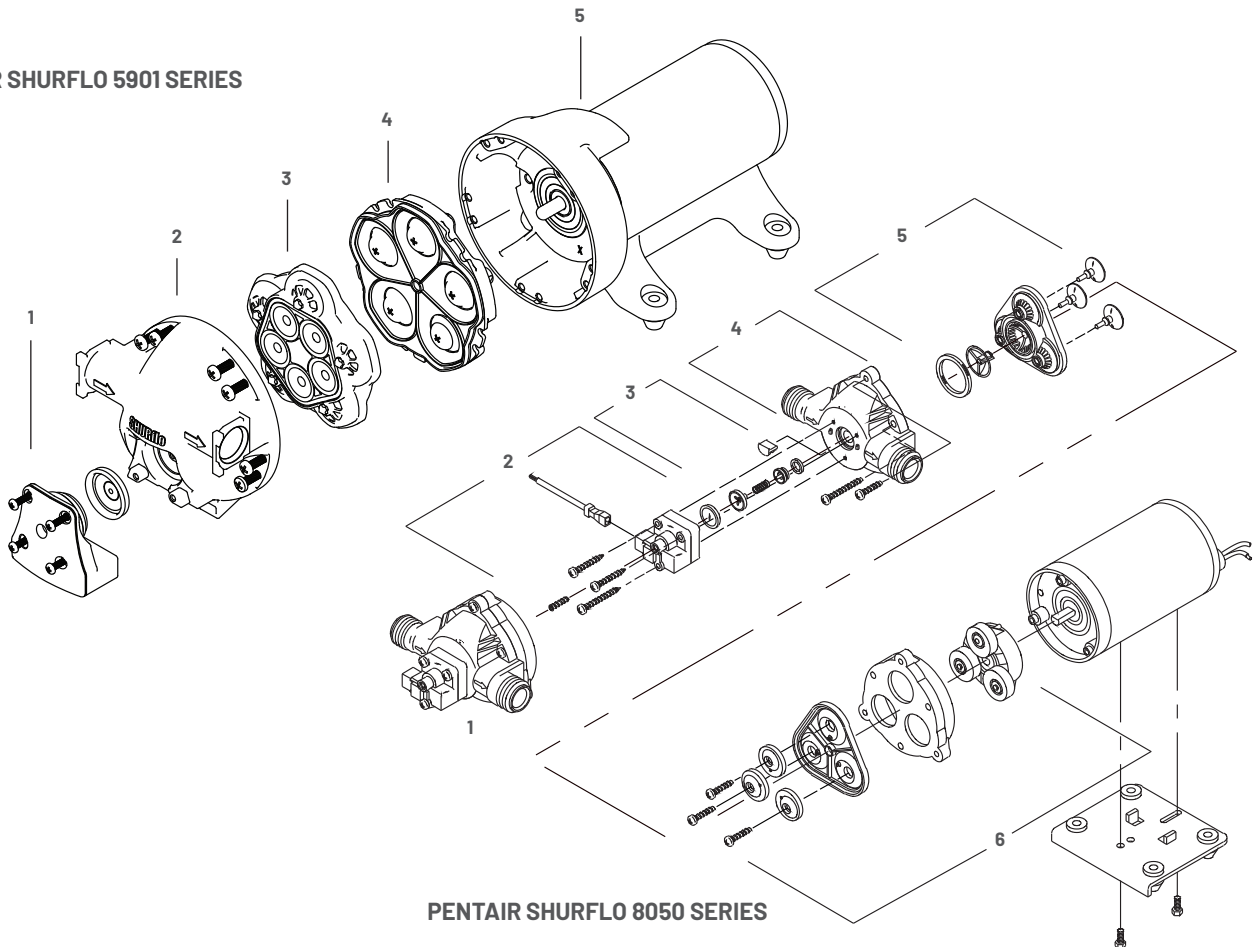
PUMP REPAIR AND REBUILD KITS

PENTAIR SHURFLO® 5901 SERIES

Name	OEM Model # (Aftermarket)	Switch	Upper Housing	Valve Assembly	Drive Assembly**	Motor
		1	2	3	4	5
Shurflo Smart Sensor 5.7	5901-0201 [5901-0211]	—	94-670-02	94-030-01	94-030-02	—
Shurflo Smart Sensor 5.7 24 VDC	5901-1201 [5901-1211]	—	94-670-02	94-030-01	94-030-02	—
Shurflo Extreme ProBlaster 12 VDC	5901-2202 [5901-2212]	94-069-00	94-670-02	94-030-01	94-030-02	94-77-007-17
Shurflo Extreme ProBlaster 24 VDC	5901-3202 [5901-3212]	94-069-00	94-670-02	94-030-01	94-030-02	94-77-009-17
Shurflo Extreme ProBlaster 32 VDC	5901-4202 [5901-4212]	94-069-00	94-670-02	94-030-01	94-030-02	94-77-010-17

** For use on pumps manufactured June 2006 or later.

PENTAIR SHURFLO 5901 SERIES

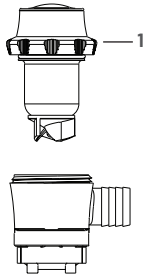


PENTAIR SHURFLO 8050 SERIES

PENTAIR SHURFLO 8050 SERIES

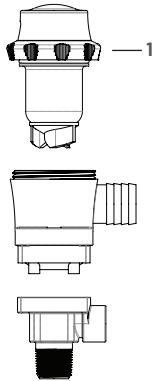
Name	OEM Model # (Aftermarket)	Pumphead Repair Kit	Switch	Check Valve	Upper Housing	Valve Assembly	Drive Assembly
		1	2	3	4	5	6
Shurflo Aqua King® Junior	8050-204-133 [8050-204-033]	94-380-33	94-375-13	94-374-16	94-378-00	94-390-06	94-385-25
Shurflo Utility Pumps	8050-305-XXX [8050-305-XXX]	—	—	—	—	94-391-12	94-385-42

PUMP REPAIR AND REBUILD KITS



PENTAIR SHURFLO® 357 SERIES BILGE PUMPS

Name	OEM Model # (Aftermarket)	Replacement Cartridge	GPH
		1	
Shurflo Piranha Bilge Pumps	357-1XX-XX [357-1XX-XX]	94-005-00	380 / 500
Shurflo Piranha Bilge Pumps	357-1XX-XX [357-1XX-XX]	94-006-00	700 / 1000



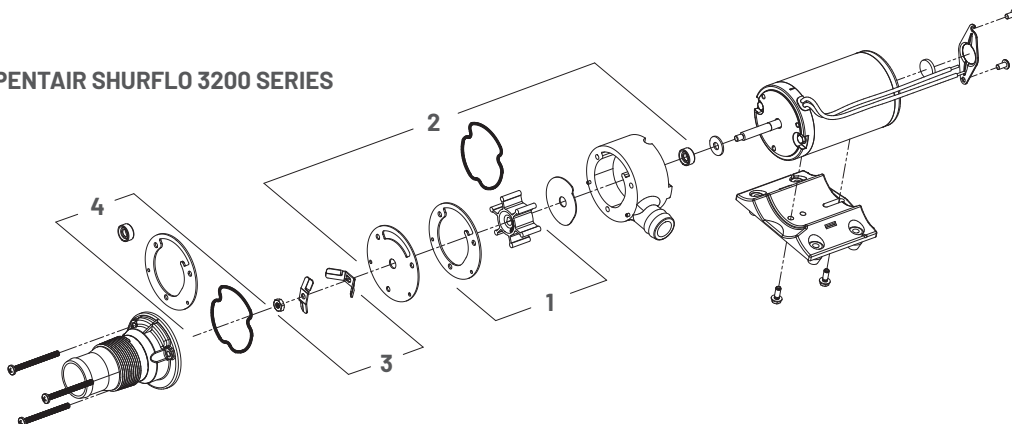
PENTAIR SHURFLO 357 SERIES LIVEWELL/AERATOR/BALLAST PUMPS

Name	OEM Model # (Aftermarket)	Replacement Cartridge	GPH
		1	
Shurflo Piranha Livewell / Aerator Pump	[357-0XX-XX]	94-619-00	600
Shurflo Piranha Livewell / Aerator Pump	[357-1XX-XX]	94-620-00	800 / 1100
Shurflo Piranha Ballast Pump	[357-1X6-XX]	94-620-00	800 / 1100

PENTAIR SHURFLO 3200 SERIES

Name	OEM Model # (Aftermarket)	Impeller Kit	Impeller Housing Kit	Blade Kit	Lip Seal Kit
		1	2	3	4
Shurflo Macerator 12 VDC	3200-000 [3200-001]	94-571-00	94-570-00	94-570-02	94-570-04
Shurflo Macerator 12 VDC 180 Degree Port	3200-100 [3200-101]	94-571-00	94-570-00	94-570-02	94-570-04
Shurflo Macerator 24 VDC	3200-010 [3200-011]	94-571-00	94-570-00	94-570-02	94-570-04
Shurflo Macerator 24 VDC 180 Degree Port	3200-110 [3200-111]	94-571-00	94-570-00	94-570-02	94-570-04

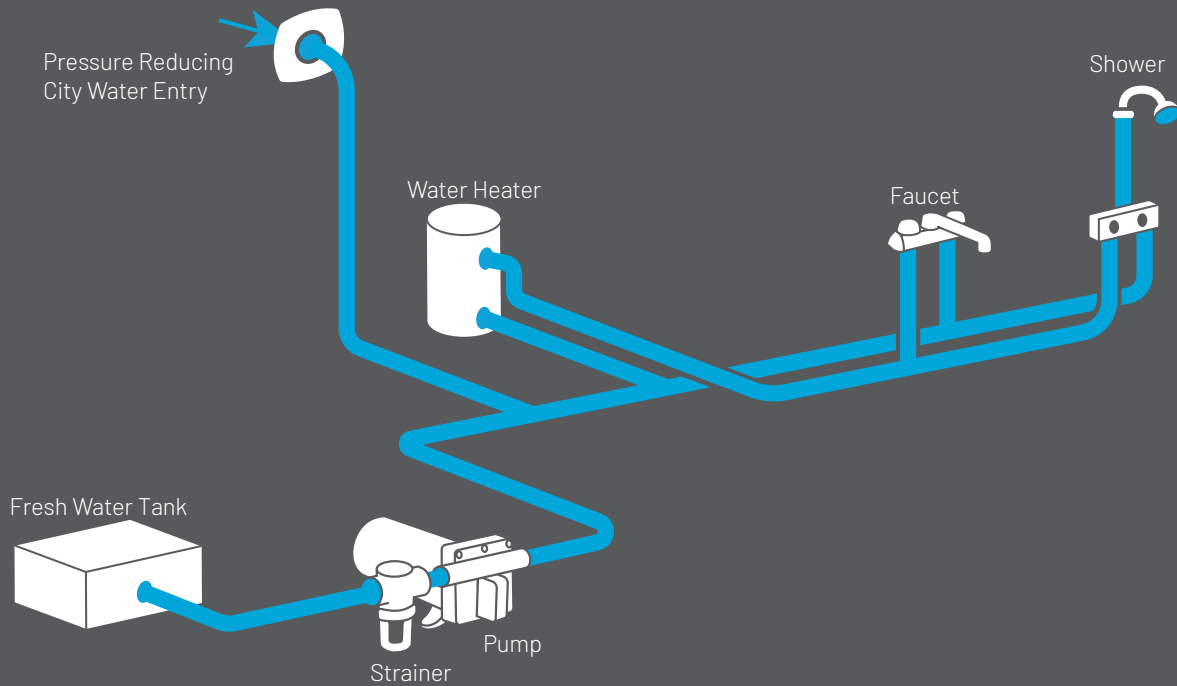
PENTAIR SHURFLO 3200 SERIES



INSTALLATION GUIDELINES

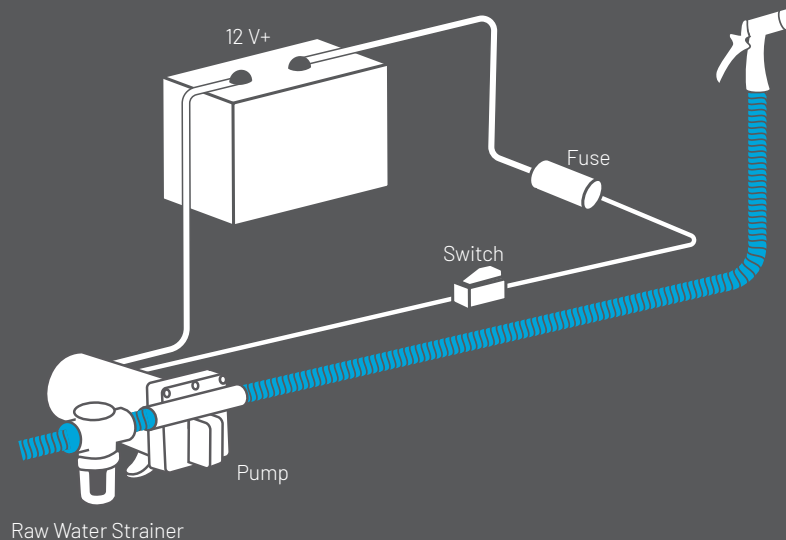
FRESH WATER MULTI-FIXTURE SYSTEMS

The pump may be mounted up to six vertical feet above the water source. Wiring should be switched as well as fused with the recommended size fuse. The inlet side of all fresh water pumps should include the use of a Pentair Shurflo® strainer. Mount the pump in an accessible area for strainer inspection. Refer to Application and Specification Chart for individual pump recommended wire and fuse sizes.



WASHDOWN SYSTEMS

For washdown systems using the Pentair Shurflo Blaster/Blaster II/Pro Blaster/Pro Blaster II. A marine approved reinforced hose is recommended. For optimum performance, an inlet Pentair Shurflo Raw Water Strainer is required. Use of the supplied hose nozzle will ensure high pressure delivery. Refer to the Full Line Application and Specification Chart for individual pump recommended wire and fuse sizes.

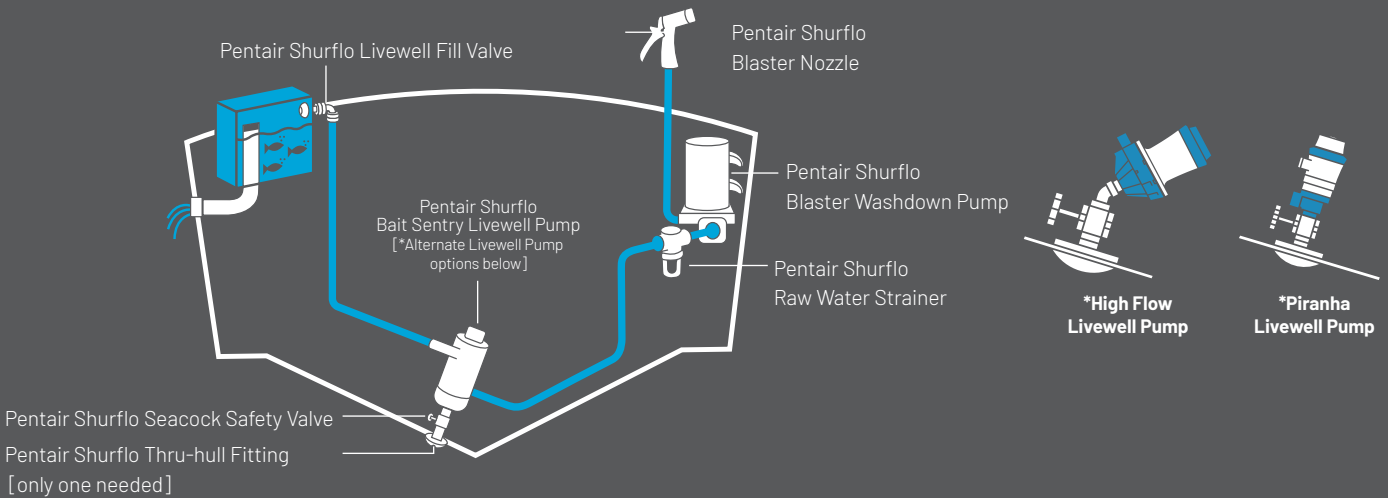


INSTALLATION GUIDELINES

LIVEWELL PUMP SYSTEMS

For livewell systems, Pentair Shurflo® recommends marine approved reinforced hose. Always use double stainless steel clamps for plumbing below the water line. A seacock valve must be installed between the pump and the thru-hull fitting. Pump impeller must be below the water line. To prevent an airlock situation, do not allow outlet tubing to sag between pump and tank. Discharge port on pump must be pointed up toward the tank, not down towards the keel.

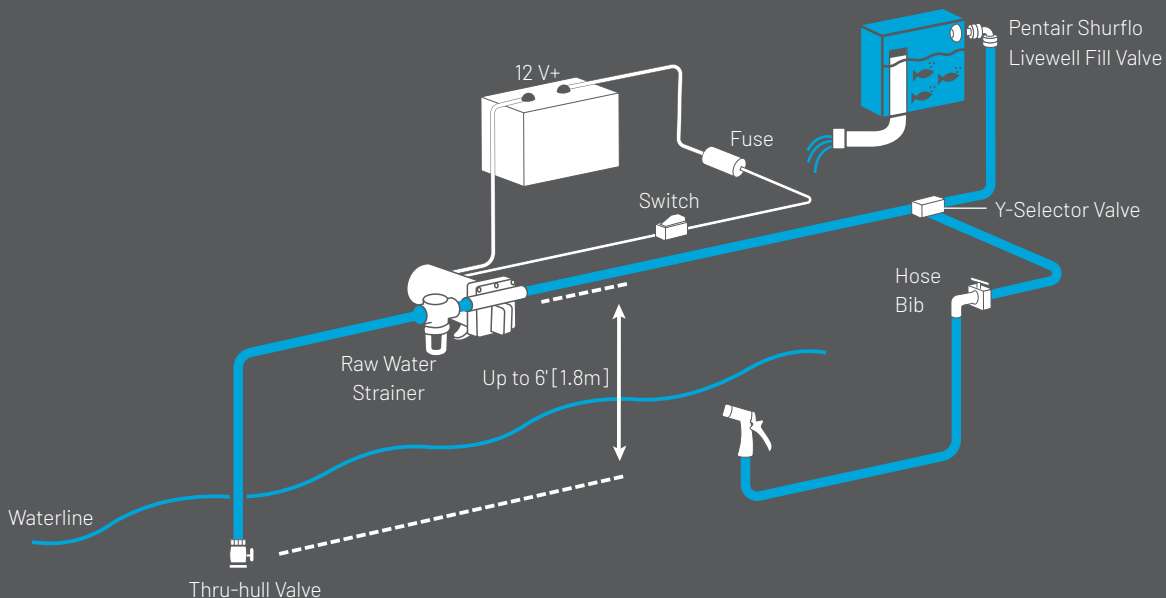
When plumbing the livewell pump to a washdown pump, use a raw water strainer between the livewell pump and the washdown pump. Tubing should be no smaller than 1/2" [13mm] marine approved reinforced tubing. Refer to the Pentair Shurflo installation manual for complete guidelines.



PENTAIR SHURFLO PRO BAITMASTER II LIVEWELL PUMP SYSTEMS

For livewell systems using the Pro Baitmaster/Pro Baitmaster II. A marine approved reinforced hose is recommended. Use 1/2" [13mm] I.D. hose on tank inlet and outlet for minimum back pressure and turbulence to the live bait. A Pentair Shurflo Raw Water Strainer between the thru-hull fitting and the pump inlet must be used.

Refer to the Full Line Application and Specification Chart for individual pump recommended wire fuse sizes.



INSTALLATION GUIDELINES

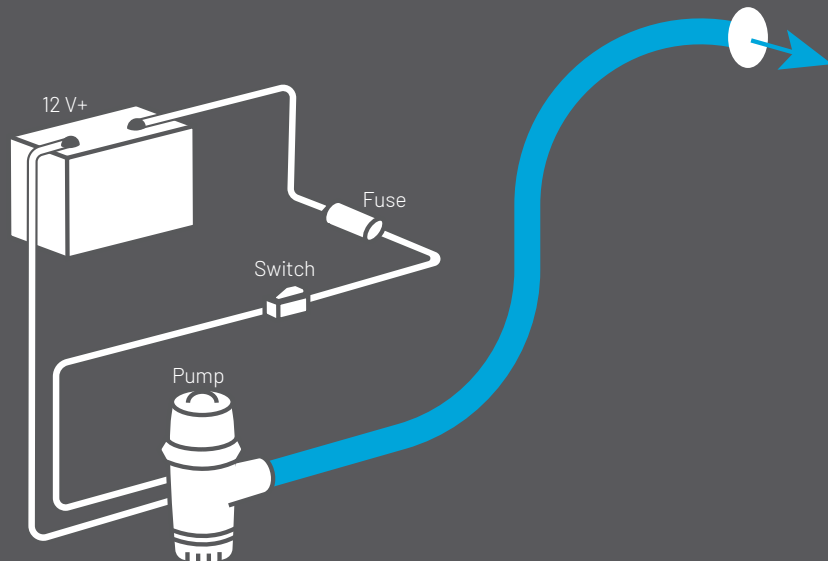
BILGE PUMPS SYSTEMS

Recommended mounting: attach base to hull or stringer using stainless steel screws. Snap pump into base.

CAUTION: Care must be taken not to drive the screws through the hull. Be sure pump is mounted on a flat surface, as low as possible in the bilge.

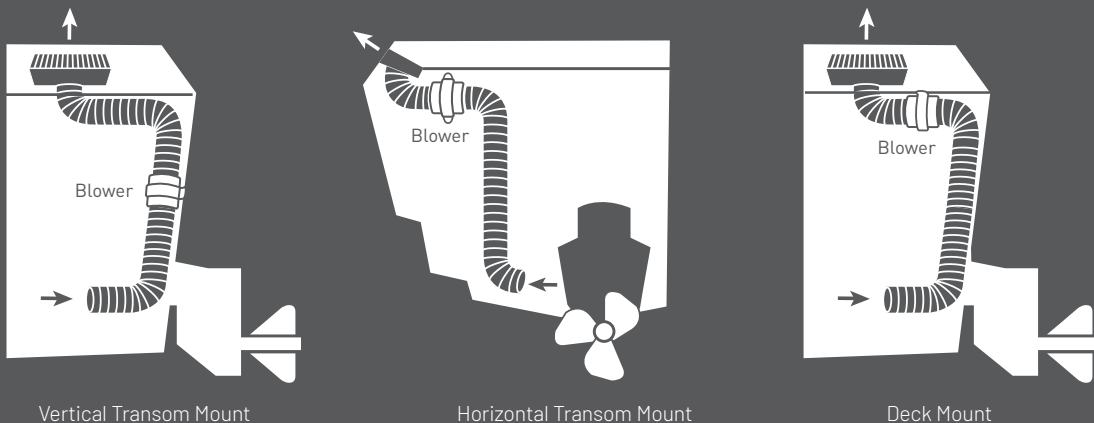
Attach 3/4" [19mm] (380, 500 & 700 GPH) or 1-1/8" [29mm] (1000 GPH) I.D. smooth bore hose. Use of a smooth bore hose will ensure maximum pump performance. Corrugated hose will significantly reduce pump performance. Route discharge hose to a thru-hull fitting well above the water line. Avoid any sagging or loops in the hose. Vertical lift over 3' [2.1m] significantly reduces output performance. Be sure to check clamp tightness at pump and thru-hull fittings.

CAUTION: Do not use open flame in the bilge area. Refer to Full Line Application and Specification Chart for individual pump recommended wire and fuse sizes.



BLOWER

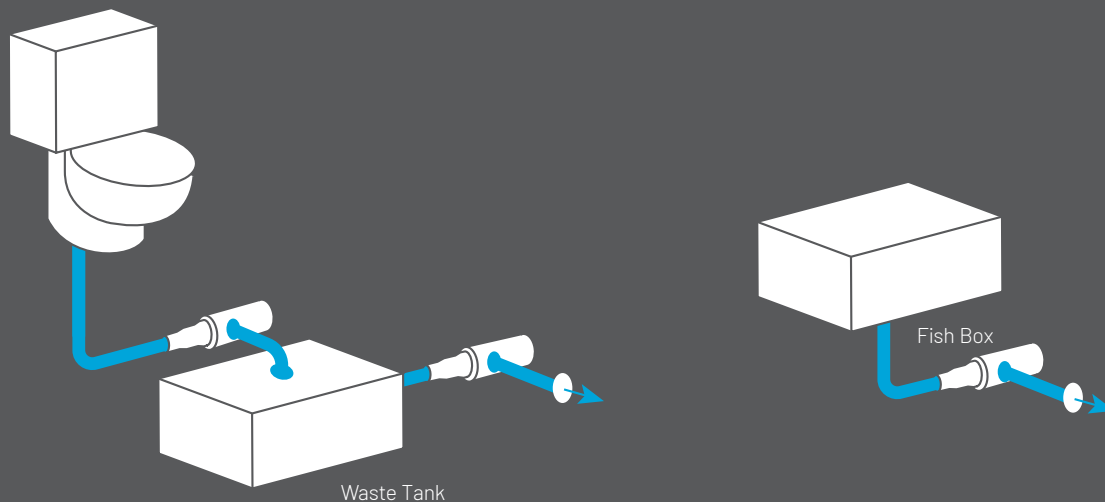
Pentair Shurflo® In-Line Blowers provide ventilation for engine compartments, bilges, galleys and head closets. Locate a suitable flat mounting surface on the transom or under the deck. Position blower with flow arrow towards exhaust vent and slightly angled toward engine compartment to avoid moisture build-up. Refer to the Shurflo installation manual for complete guidelines.



INSTALLATION GUIDELINES

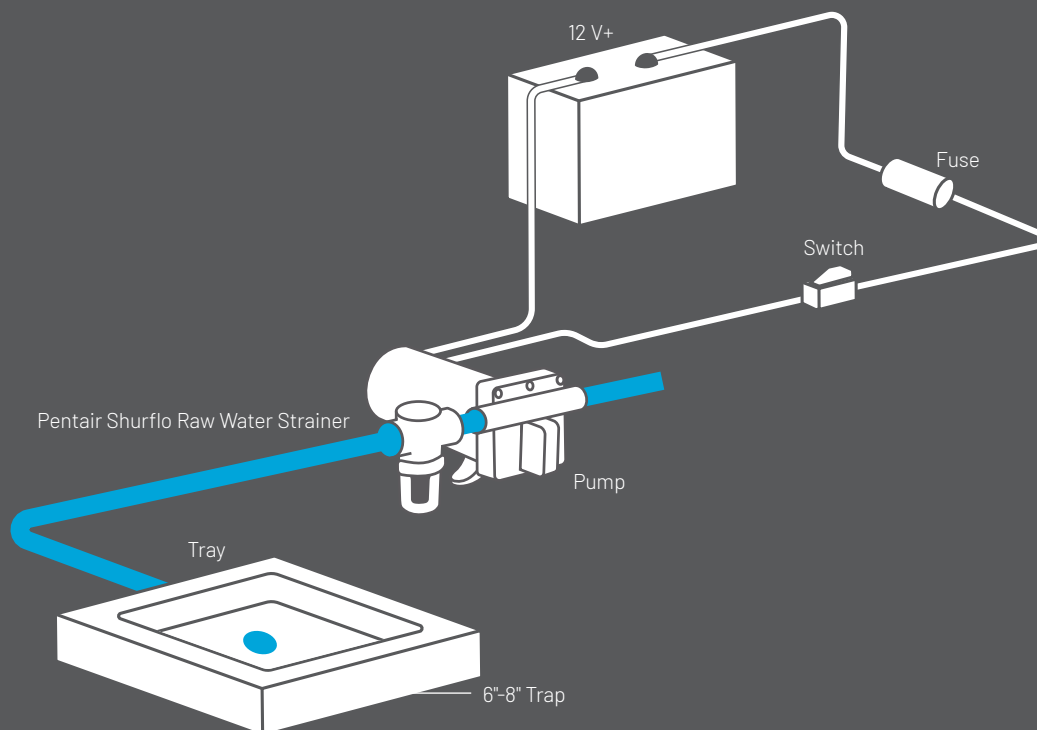
MACERATOR SYSTEMS

Pentair Shurflo® Macerator pumps are designed to empty marine holding tanks of normal waste. It is also an excellent approach for emptying fish boxes of scales and residual waste. A flow rate of up to 13 gallons per minute conveniently empties any tank in minutes. Refer to the Shurflo installation manual for complete guidelines.



SHOWER SUMP SYSTEMS

The standard Pentair Shurflo 4138 models can be used for shower sump applications. The sump tray should employ a 6"- 8" trap with adequate strainer capability. Use a Pentair Shurflo Raw Water Strainer on the inlet side of the pump, mounted in an easy access location for inspection.



INSTALLATION GUIDELINES

This brief installation guide for Pentair Shurflo® pump systems will answer the most often encountered questions about basic marine plumbing systems. More detailed information is available through Pentair Shurflo technical data sheets from Shurflo, as well as the installation instruction sheets provided with each product.

For more information, contact your Pentair Shurflo representative or Shurflo customer service toll free at: (800) 854-3218

GENERAL NOTES

- ◆ All Pentair Shurflo marine water pumps are ignition protected.††
- ◆ In order to minimize heat rise, continuously operating pumps other than bilge pumps should be mounted in well ventilated spaces.
- ◆ Pentair Shurflo diaphragm pumps will operate in any position; however, the recommended position is motor up/pumphead down to prevent any possible water damage to the motor in the event of a leak during setup or operation. Mount on a solid surface to reduce noise and vibration.
- ◆ Pentair Shurflo offers a variety of barbed and threaded fittings in straights and elbows from sizes 3/8" to 3/4".
- ◆ All Pentair Shurflo 4XX8 threaded pump ports are internally tapered, to be thoroughly hand-tightened only with Pentair Shurflo swivel fittings. They eliminate expensive brass or stainless fittings which require more complex plumbing.
- ◆ A safety seacock (thru-hull valve) is required for any installation using a thru-hull water source.
- ◆ In accordance with American Boat and Yacht Council (ABYC) guidelines, the recommended placement for all diaphragm pumps plumbed to a thru-hull fitting is above the waterline.
- ◆ The self-priming feature of Pentair Shurflo diaphragm pumps allows them to be mounted any distance up to 30 feet [9.2m] horizontal from on-board water supplies, ensuring easy access to plumbing connections and strainers, maximizing reduction of noise or vibration and minimizing exposure to splashed water.
- ◆ All Pentair Shurflo pumps are engineered with rubber mounting feet to minimize noise and vibration and will function properly only if proper fasteners are used to snug down (not flatten) the feet. Flexible inlet and outlet plumbing (such as reinforced hose), is critical to lower pump noise level and increase pump life.
- ◆ Pentair Shurflo recommends that all pumps be fused individually, in addition to any other circuit protection used such as circuit breakers.
- ◆ Pentair® filters are great for marine applications. The filter may be installed in any convenient location. Be sure to keep the filter away from any heat source. All filters should be replaced seasonally (6-12 months) or when taste and odor problems return.

WIRE SIZE REQUIREMENTS [Based on 10 Amps; 10% voltage drop]

Battery-to-pump distance	AWG [mm ²]
0-25 feet [0-7.6m]	16 [1.3]
25-50 feet [7.6-15.2m]	14 [2.1]
50-70 feet [15.2-21.3m]	12 [3.3]
70-110 feet [21.3-33.5m]	10 [5.3]

Minimum wire size for a 10% voltage drop on a 12VDC, 10 Amp Circuit. Length is the distance from the power source to pump and back to ground.

†(1/2"-14 National American Straight Pipe Thread)
 ††(Except 8050-305-626 & 8050-305-426)

PLUMBING GUIDELINES [For long life and low noise]

Area	Suggestion
Pentair Shurflo Fittings	Hand tighten only.
Feet	Snug, don't flatten; solid surface
Pump/Hose	Flexible hose on inlet and outlet side of pump. 1/2" minimum on mains, 3/8" minimum on branch.
Water Purifier	Run separate line from mains. 1/4" minimum recommended.
Noise Reduction	Use flexible hose. Check for air in system, including all drain lines and hot water heater lines.



USA
293 Wright St
Delavan, WI, 53115, USA
800.854.3218

EUROPE
FP98+RC Romentino,
Province of Novara, Italy

CENTRAL & SOUTH AMERICA
+55 (11) 3317-5085
vendas.pwdb@pentair.com

pentair.com

*For a detailed list of where Pentair trademarks are registered, please visit www.pentair.com/en/registrations.html. Pentair trademarks and logos are owned by Pentair PLC, or its affiliates. Third party registered and unregistered trademarks and logos are the property of their respective owners. Because we are continuously improving our products and services, Pentair reserves the right to change specifications without prior notice. Pentair is an equal opportunity employer.

MS-030-140 Rev. 01/19 Printed in USA. © 2019 Pentair. All Rights Reserved.