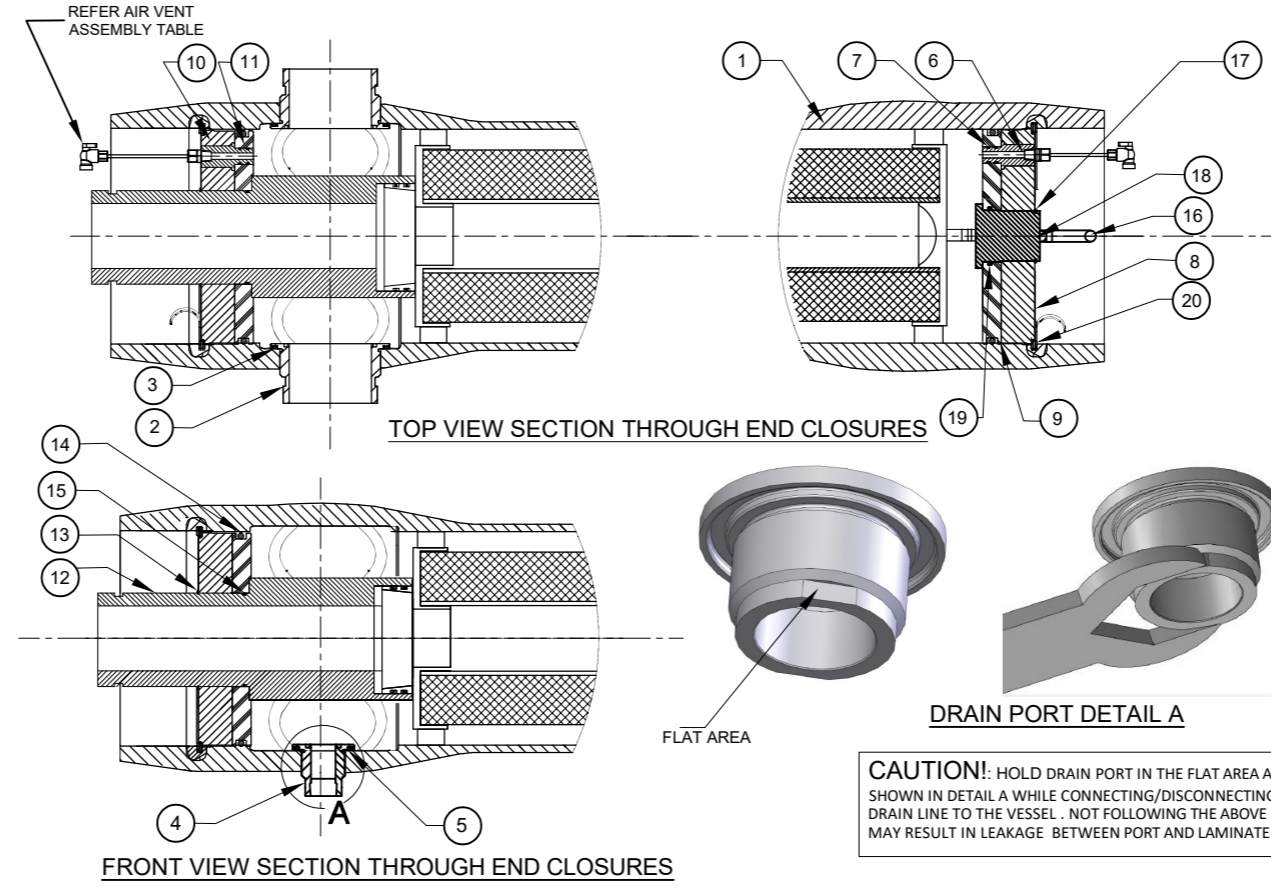


150 PSI

CAUTION: INCORRECT MANIFOLDING WILL CAUSE SEVERE LOCAL STRESS AROUND PORT AND MAY RESULT IN LEAKS AND PREMATURE FAILURE; TAKE EVERY PRECAUTION LISTED ON REVERSE, SEE INSTALLATION INSTRUCTIONS FOR FURTHER DETAILS

| DWG REF | QTY | PART NUMBER | DESCRIPTION | MATERIAL |
|---|-----|-------------|------------------------------|---|
| SHELL | | | | |
| 1* | 1 | 17219 | SHELL | Filament Wound Epoxy/Glass composites - Head locking grooves integrally wound in place. |
| 2* | A/R | 96327 | 3" Feed Port | SA-995 CD3MWCuN (UNS J93380) |
| 3 | A/R | 196141 | 3" Port Seal | Ethylene Propylene - O - Ring |
| 4* | 1 | 17180 | 1" FNPT Drain Port | SA-995 CD3MWCuN (UNS J93380) |
| 5 | 1 | 45340 | 1" Drain Port Seal | Sq. Seal - EPDM |
| HEAD COMPONENTS FOR 140' APPLICATION | | | | |
| 6 | 2 | 17174 | 1/4" FNPT Air Vent Port | Engineering Thermoplastic-PVC* |
| 7 | 4 | 196208 | 1/4" Air Vent Port Seal | O - Ring - EPDM |
| 8* | 1 | 17179 | Bearing Plate Handle end | SB-221 A96061-T6 |
| 9 | 1 | 117007 | Sealing Plate Handle end | Engineering Thermoplastic-Noryl |
| 10* | 1 | 17176 | Bearing Plate Product end | SB-221 A96061-T6 |
| 11 | 1 | 117006 | Sealing Plate Product end | Engineering Thermoplastic-Noryl |
| 12 | 1 | 17187 | 3" Product Port | Engineering Thermoplastic-PVC |
| 13 | 1 | 17127 | 3" Port Retainer Ring | SA-479 316 |
| 14 | 2 | 196223 | Head Seal | O - Ring - EPDM |
| 15 | 1 | 17128 | Product Port Seal | O - Ring - EPDM |
| 16 | 1 | 17104 | Handle Assembly | SA-479 316 |
| 17 | 1 | 45247 | Plug Retainer Ring | Stainless Steel |
| 18 | 1 | 17132 | Plug | Engineering Thermoplastic-PVC* |
| 19 | 1 | 196215 | Plug seal | O - Ring - EPDM |
| HEAD INTERLOCK | | | | |
| 20* | 2 | 47336 | Quick Release Retaining Ring | SA-479 316 |
| VESSEL SUPPORT | | | | |
| 21 | 2 | 52169 | Saddle | Engineering Thermoplastic |
| 22 | 2 | 45042 | Strap Assy. | 304 Stainless Steel-PVC Cushion. |
| 23 | 4 | 46265 | Strap screw. | 5/16-18 UNC X 2.5" - Long, 304 Stainless Steel. |



CAUTION!: HOLD DRAIN PORT IN THE FLAT AREA AS SHOWN IN DETAIL A WHILE CONNECTING/DISCONNECTING DRAIN LINE TO THE VESSEL . NOT FOLLOWING THE ABOVE MAY RESULT IN LEAKAGE BETWEEN PORT AND LAMINATE

| PORT SIZE CODE | | |
|----------------|----------------|--|
| A | 1" FNPT END | |
| G | 3" GROOVED END | |

| NO. OF PORTS | PORT LOCATION | VESSEL QTY. |
|--------------|---------------|-------------|
| | | |

| AIR VENT ASSEMBLY :- 17185 | | | |
|----------------------------|----------|------------|------------------------------------|
| ITEM | QUANTITY | PART NO. | DESCRIPTION |
| 1 | 6" Long | RRS-01027 | Tubing Blue |
| 2 | 1 | RRS-010013 | Male Connector,Pipe 1/4" Tube 1/4" |
| 3 | 1 | RRS-01047 | Compression nut 1/4" |
| 4 | 1 | RRS-01039 | Ball Valve 1/4" |
| 5 | 1 | 17194 | Blind Plug 1/4" |

| Element | "L" IN(MM) | "S" IN(MM) | Approx Weight LB(KG) | Approx Weight With Filter LB(KG) |
|---------|--------------|-------------|----------------------|----------------------------------|
| 40 | 53.94 (1370) | 21X1 (533) | 51(23) | 64(30) |
| 60 | 74.62 (1896) | 42X1 (1067) | 60(27) | 73(33) |

GENERAL NOTES:
 1. DIMENSION IN INCHES (MM APPROX.).
 2. SHELL EXTERIOR COATED WITH WHITE RAL 9003, HIGH GLOSS POLYURETHANE PAINT.
 3. NOT TO BE USED FOR CONSTRUCTION UNLESS CERTIFIED BY PENTAIR.
 +OPTIONAL MATERIAL SELECTION AVAILABLE FOR 180°F APPLICATION ON SECOND PAGE.
 * ASME PARTS.

THIS DOCUMENT AND THE INFORMATION CONTAINED HEREIN, ARE THE CONFIDENTIAL AND PROPRIETARY INFORMATION OF PENTAIR WATER INDIA PVT. LTD. PENTAIR WATER INDIA PVT. LTD. IS THE SOLE OWNER OF THE INFORMATION AND PROCESSES DEFINED HEREIN. THIS DOCUMENT, AND THE INFORMATION CONTAINED, MAY NOT BE DISCLOSED, REPRODUCED, DUPLICATED, USED, SOLD, PUBLISHED, COMMUNICATED OR OTHERWISE DISTRIBUTED, IN WHOLE OR IN PART, FOR ANY PURPOSE WITHOUT THE EXPRESS WRITTEN CONSENT OF PENTAIR WATER INDIA PVT. LTD. THIS DOCUMENT AND ANY COPIES, IN ALL APPLICABLE FORMATS, SHALL BE RETURNED TO PENTAIR WATER INDIA PVT. LTD. UPON REQUEST.

ALL INDICATED PENTAIR TRADEMARKS AND LOGOS ARE PROPERTY OF PENTAIR. THIRD PARTY REGISTERED AND UNREGISTERED TRADEMARKS AND LOGOS ARE PROPERTY OF THEIR RESPECTIVE OWNERS. BECAUSE WE ARE CONTINUOUSLY IMPROVING OUR PRODUCTS AND SERVICES, PENTAIR RESERVES THE RIGHT TO CHANGE SPECIFICATIONS WITHOUT PRIOR NOTICE. PENTAIR IS AN EQUAL OPPORTUNITY EMPLOYER.

© 2021 Pentair. All Rights Reserved.

PENTAIR
CODELINE AQUALINE

VERNA, GOA INDIA

| | | | | |
|------------------------|---------------------------|--|--------------------------------|--------------------|
| DRAWN BY: AND | DATE: 20MAY09 | DRAWING DESCRIPTION: MODEL: 80CF15 SINGLE CARTRIDGE HOUSING | DRAWING NO.: 17028 | REV.: U |
| CHECKED BY: KR | DATE: 20MAY09 | CUSTOMER NAME: - | VESSEL MODEL: 80CF15 NC | |
| APPROVED BY: FF | DATE: 20MAY09 | PROJECT NAME: - | TOTAL QTY: - | |
| ECN NO.: 6799 | REV. DATE: 28MAY24 | CUSTOMER P.O.#: - | SIZE: A3 | SCALE: NONE |
| | | | PAGE NO.: 01 | OF 02 |

RATING:

PVC / PET
 DESIGN PRESSURE/MAWP..... 150 PSIG
 (1.03 MPa)
 MAX. ALLOWABLE TEMP.....140°F / 180°F
 (60°C / 82°C)
 MIN. ALLOWABLE TEMP..... 20°F
 (-7°C)
 FACTORY TEST PRESSURE..... 165 PSIG
 (1.14 MPa)
 QUALIFICATION PRESSURE..... 900 PSI
 (6.21 MPa)

INTENDED USE:

The AquaLine 80CF15 Non Coded Fiberglass Pressure Vessel is designed for continuous, long term use as housing for AquaLine range of micro filtration elements.

The Shell of AquaLine 80CF15 Non Coded vessel is designed in accordance with the engineering standards of the Boiler and Pressure Vessel Code of the American Society of Mechanical Engineers (ASME) as per Section X Edition 2023 and all metallic parts are designed as per ASME Section VIII Division I Edition 2023.

The AquaLine 80CF15 Non Coded vessel must be installed, operated and maintained in accordance with the listed precautions and good industrial practice to assure safe operation over a long service life.

The high performance Filament wound FRP shell must be allowed to expand under pressure; undue restraint at support points or piping connections can cause leaks to develop in the shell. This side-ported vessel requires special precautions in mounting and connection to piping so that the vessel will not be subjected to excessive stress due to bending moments acting at the side openings in the fiberglass shell. The end closure, incorporating close fitting, interlocking metal components, must be kept dry and free of corrosion; deterioration can lead to catastrophic mechanical failure of the head.

Pentair will assist the purchaser in determining the suitability of this standard vessel for their specific operating conditions. The final determination however, including evaluation of the standard material of construction for compatibility with the specific corrosive environment, shall be the responsibility of the purchaser. Alternate materials with enhanced corrosion resistance are available on special order.

Specifications are subject to change without notice.

PRECAUTIONS:

DO...read, understand and follow all instructions; failure to take every precaution will void warranty and may result in vessel failure

DO...mount the shell on horizontal/vertical members at span "S" using compliant vessel supports furnished; for mounting vessels vertically provide proper bottom support; tighten hold down straps just snug.

DO...align and center side ports with the manifold header. Correct, causes of misalignment in a row of vessels connected to the same header

DO...use flexible type IPS grooved-end pipe couplings, or equal, at side ports; allow full, 0.125 inch gap between port and piping, and position piping to maximize flexibility of connection.

DO...provide flexibility in, and support for piping manifolds so that vessel can grow in length under pressure without undue restraint; provide additional flexible joints in large pipes leading to manifold header.

DO... Lubricate seals sparingly, using nonpetroleum Based lubricants, i.e. Parker Super O-lube®, Glycerin or suitable silicone based lubricants.

DO...provide overpressure protection for vessel set at not more than 105% of design pressure

DO...inspect end closures regularly; replace components that have deteriorated and correct causes of corrosion

DO NOT...work on any component until first verifying that pressure is relieved from vessel

DO NOT...make rigid piping connections to ports or clamp vessel in any way that resists growth of fiberglass shell under pressure;

DO NOT...pressurize vessel until double-checking to verify that the Locking Ring is in place and fully seated.

DO NOT...operate vessel at pressure and temperature in excess of its rating.

DO NOT...tolerate leaks or allow end closures to be routinely wetted in any way

DO NOT...operate outside the pH range of 3-11.

DO NOT...operate outside the pH range 2-12 for cleaning.

DO NOT...exceed 43.5 hours in a year for cleaning with above mentioned pH range.

ORDERING:

Using the chart below, please check the features you require and fax them with your purchase order to our customer service department for further processing.
 For optional materials and / or feature not listed below, please consult the factory for pricing and availability

VESSEL LENGTH CODE

MODEL: AquaLine 80CF15 Non Coded -40 -60

CERTIFICATION REQUIRED

Hydro testing at 1.1 times the design pressure.

- CE Marked Standard – MODULE-D1, CATEGORY-2**
- Certified by Pentair.

HEAD ASSEMBLY MATERIAL SELECTION

- Standard: For 140°F application, Engineering Thermoplastic components in PVC as per drawing on First page.**
- Option: For 180°F application, Engineering Thermoplastic components in PET as given below. (Please consult factory as these options will affect pricing and vessel lead time)

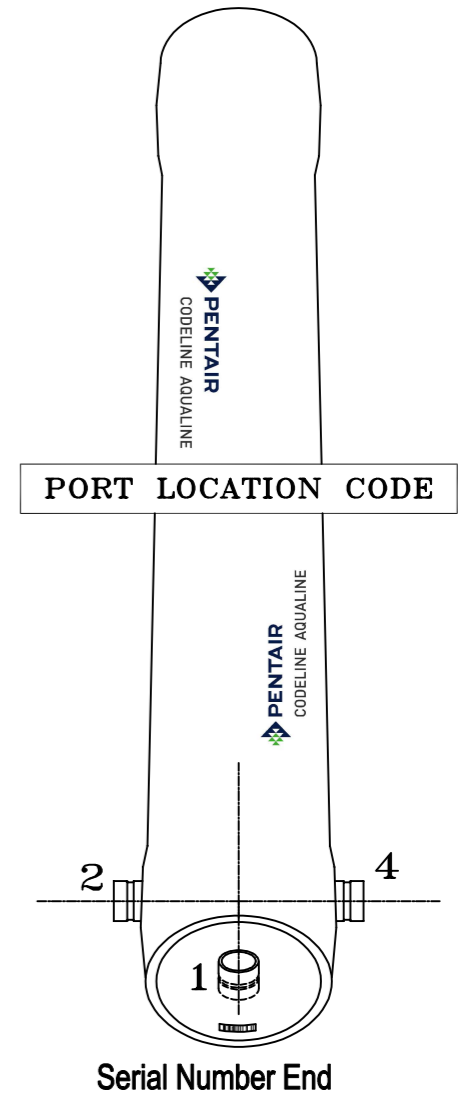
| HEAD COMPONENTS FOR 180°F APPLICATION | | | | |
|---------------------------------------|-----|-------------|---------------------------|---------------------------------|
| DWG REF | QTY | PART NUMBER | DESCRIPTION | MATERIAL |
| 6 | 2 | 17403 | 1/4" FNPT Air Vent Port | Engineering Thermoplastic-PET |
| 7 | 4 | 196208 | 1/4" Air Vent Port Seal | O - Ring - EPDM |
| 8* | 1 | 17179 | Bearing Plate Handle end | SB-221 A96061-T6 |
| 9 | 1 | 117007 | Sealing Plate Handle end | Engineering Thermoplastic-Noryl |
| 10* | 1 | 17176 | Bearing Plate Product end | SB-221 A96061-T6 |
| 11 | 1 | 117006 | Sealing Plate Product end | Engineering Thermoplastic-Noryl |
| 12 | 1 | 17406 | 3" Product Port | Engineering Thermoplastic-PET |
| 13 | 1 | 17127 | 3" Port Retainer Ring | SA-479 316 |
| 14 | 2 | 196223 | Head Seal | O - Ring - EPDM |
| 15 | 1 | 17128 | Product Port Seal | O - Ring - EPDM |
| 16 | 1 | 17104 | Handle Assembly | SA-479 316 |
| 17 | 1 | 45247 | Plug Retainer Ring | Stainless Steel |
| 18 | 1 | 17407 | Plug | Engineering Thermoplastic-PET |
| 19 | 1 | 196215 | Plug seal | O - Ring - EPDM |

FEED PORT CONFIGURATION

Please fill out quantity for each configuration

- 1 A 4 G (Standard)
- 1 A 2 G (Optional)
- 1A2G4G (Optional)

For complete information on proper use of the vessel
 Please refer to the AquaLine User Guide No 96893.



* ASME PARTS.

THIS DOCUMENT AND THE INFORMATION CONTAINED HEREIN, ARE THE CONFIDENTIAL AND PROPRIETARY INFORMATION OF PENTAIR WATER INDIA PVT. LTD. PENTAIR WATER INDIA PVT. LTD. IS THE SOLE OWNER OF THE INFORMATION AND PROCESSES DEFINED HEREIN. THIS DOCUMENT, AND THE INFORMATION CONTAINED, MAY NOT BE DISCLOSED, REPRODUCED, DUPLICATED, USED, SOLD, PUBLISHED, COMMUNICATED OR OTHERWISE DISTRIBUTED, IN WHOLE OR IN PART, FOR ANY PURPOSE WITHOUT THE EXPRESS WRITTEN CONSENT OF PENTAIR WATER INDIA PVT. LTD. THIS DOCUMENT AND ANY COPIES, IN ALL APPLICABLE FORMATS, SHALL BE RETURNED TO PENTAIR WATER INDIA PVT. LTD. UPON REQUEST.

ALL INDICATED PENTAIR TRADEMARKS AND LOGOS ARE PROPERTY OF PENTAIR. THIRD PARTY REGISTERED AND UNREGISTERED TRADEMARKS AND LOGOS ARE PROPERTY OF THEIR RESPECTIVE OWNERS. BECAUSE WE ARE CONTINUOUSLY IMPROVING OUR PRODUCTS AND SERVICES, PENTAIR RESERVES THE RIGHT TO CHANGE SPECIFICATIONS WITHOUT PRIOR NOTICE. PENTAIR IS AN EQUAL OPPORTUNITY EMPLOYER.

© 2021 Pentair. All Rights Reserved.

PENTAIR
 CODELINE AQUALINE
 VERNA, GOA
 INDIA

| | | | | |
|--------------|---------|--|---------------|-----------|
| DRAWN BY: | AND | DRAWING DESCRIPTION: | DRAWING NO.: | REV.: |
| DATE: | 20MAY09 | MODEL: 80CF15 SINGLE CARTRIDGE HOUSING | 17028 | U |
| CHECKED BY: | KR | CUSTOMER NAME: | VESSEL MODEL: | |
| DATE: | 20MAY09 | - | 80CF15 NC | |
| APPROVED BY: | FF | PROJECT NAME: | TOTAL QTY: | |
| DATE: | 20MAY09 | - | - | |
| ECN NO.: | 6799 | CUSTOMER P.O.#: | SIZE: | SCALE: |
| REV. DATE: | 28MAY24 | - | A3 | NONE |
| | | | | PAGE NO.: |
| | | | | 02 OF 02 |