

AQUATRAM[®]

ADA-COMPLIANT POOL ACCESS LIFTS

RECREATION FOR ALL. SUPPORT BY PENTAIR.

Choose the only ADA-Compliant lift brand that's backed by one of the leading manufacturers of swimming pool equipment. When you install an AquaTRAM lift, you provide safer, easier swimming pool access for swimmers with physical disabilities. Thanks to our versatile five-model lineup, there's an AquaTRAM lift to fit every pool and every budget...comfortably. And with the backing of an industry leader, Pentair Commercial Aquatics, there's every reason to feel confident about the quality of your purchase.

STANDARD FEATURES

- All AquaTRAM lifts comply with ADA Guidelines.
- Dual flip-up armrests provide easier and safer access.
- Rechargeable battery-powered operation for easier use.
- Comfortable seat with adjustable lap belt.
- Simple-to-operate controls provide easier access in and out of pool.
- Stainless steel with corrosion-resistant, powder-coated finish.
- Lifting capacities up to 500 pounds.
- Color options now available.



AquaTRAM 90+



AquaTRAM LT-2



AquaTRAM PT-2

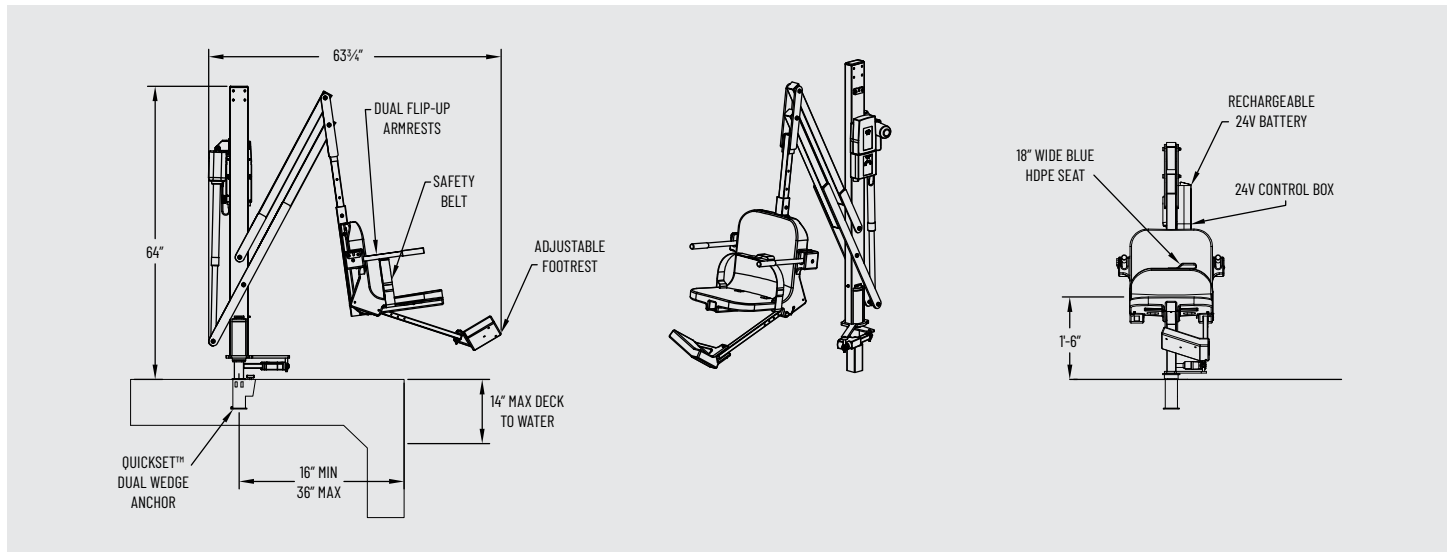


AquaTRAM 360

AQUATRAM[®]

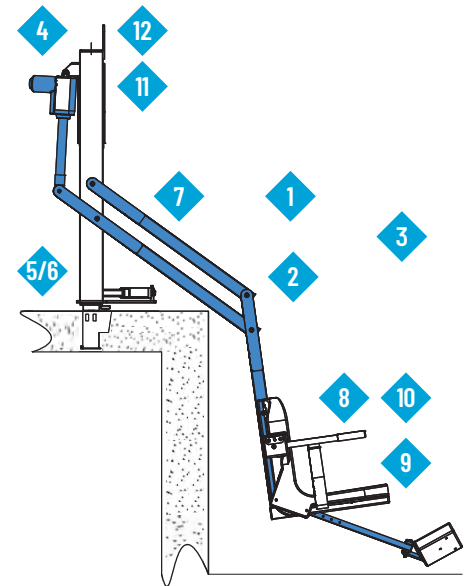
ADA-COMPLIANT POOL ACCESS LIFTS

AQUATRAM 90+ LIFT



Features and Benefits

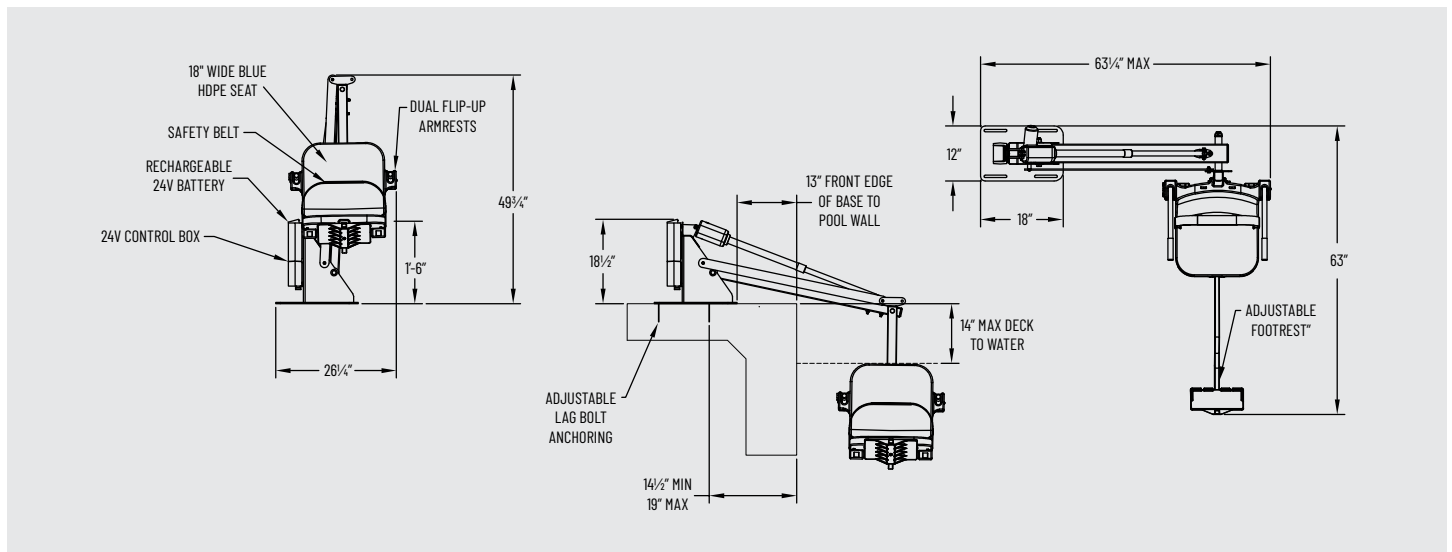
1. Unique, versatile and cost-effective design accommodates most pools with a deck-to-water (d-w) dimension up to 14".
2. ADA-Compliant; lifting capacity: 400 lbs.
3. Reversible design rotates 90°. Same model number can be installed "Right-Facing" or "Left-Facing" by rotating the lift 90° in its anchor.
4. Superior reach and versatile anchor placement:
 - A. Can clear an 18" Built-In (Spa) Bench when installed with a 18" anchor set-back* (at 6" d-w).
 - B. Can accommodate anchor set-back* of 16"-36" for "Square" Pool Profiles (with max. d-w).
 - C. Can accommodate up to 36" anchor set-back* for typical "Roll-Out" Gutter Profile (based on 6" d-w dimension).
 - D. Consult with factory for assistance with your application.
5. Quickset model (11420) has a 2-1/2" square port penetration for use with Paragon Dual-Wedge, tool-less, clamping anchor which also retrofits into existing 2-1/2" sq. x 6" deep anchors.
6. Round post model (11421) has a 1.90" OD round post x 6" deep penetration. Lift may be purchased with anchor, or can retrofit into many existing anchor systems**.
7. Lightweight; easy to move and store when not in use. Optional cart available.
8. Dual flip-up armrests provide easier access and safer transfers on the pool deck and in the water.
9. Comfortable seat has an adjustable lap belt with hook-and-loop fasteners, plus an adjustable and removable footrest.
10. Simple 4-button submersible handset lets the user raise, lower and rotate while seated or from the pool edge.
11. Stainless steel construction with corrosion-resistant, epoxy powder-coat finish.
12. Rechargeable battery-powered operation is easier to install than water-powered lifts; provides a smoother ride, greater reliability and easier servicing with plug-and-play components.



*Set-back dimension as referenced herein is from pool wall to centerline of anchor. All clearance dimensions presented are estimated and are affected by d-w, deck obstructions and other physical characteristics of the specific application.

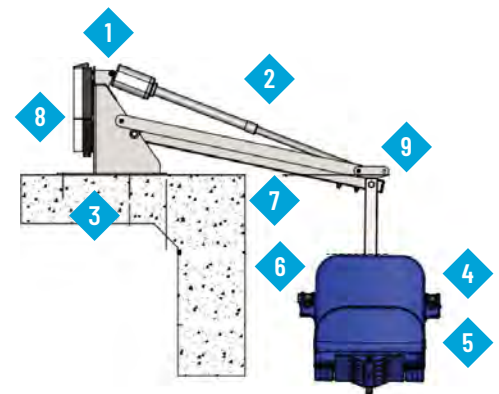
**For retrofit, the existing anchor must be designed to accept a 1.90" diameter x 6" long round post penetration and the entire anchor system must be designed to withstand the resulting loads applied by lift under full capacity. Adapter kits are available for existing 2-3/8", 2-1/2" and 2-5/8" round anchors. In new installations, the anchor should be installed in a deck or footing as specified in the Installation and User's Guide (3'-3" x 3'-3" x 10" thick at time of this printing.)

AQUATRAM LT-2 LIFT

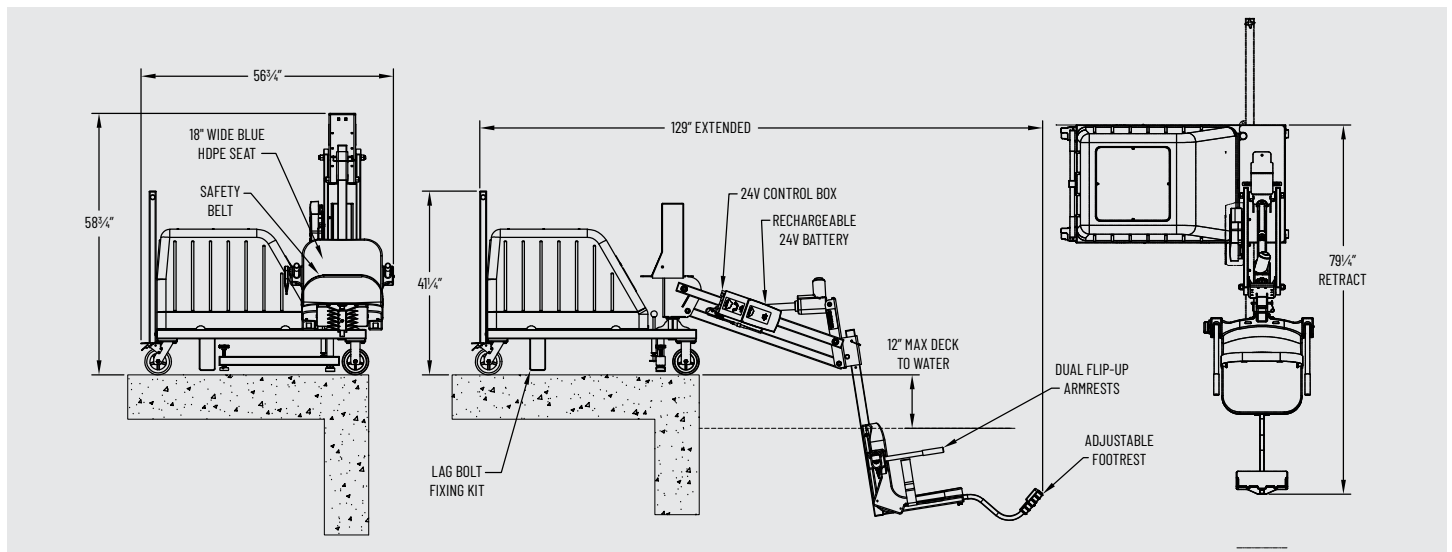


Features and Benefits

1. Ultra-compact design has low height, uses minimal deck space and does not extend into the water when not in use. Accommodates most pools with a deck-to-water (d-w) dimension up to 14".
2. ADA-Compliant; lifting capacity: 350 lbs.
3. Lag bolt anchoring allows quick removal with tools.
4. Dual flip-up armrests provide easier access and safer transfers on the pool deck and in the water.
5. Comfortable seat has an adjustable lap belt with hook-and-loop fasteners, plus an adjustable and removable footrest.
6. Simple 2-button submersible handset lets the user raise and lower while seated or from the pool edge.
7. Stainless steel construction with corrosion-resistant, powder-coat finish.
8. Rechargeable battery-powered operation is easier to install than water-powered lifts; provides a smoother ride, greater reliability and easier servicing with plug-and-play components.
9. Standard models are "Right-Facing" as shown. "Left-Facing" (Reversed) can be converted in the field as needed.

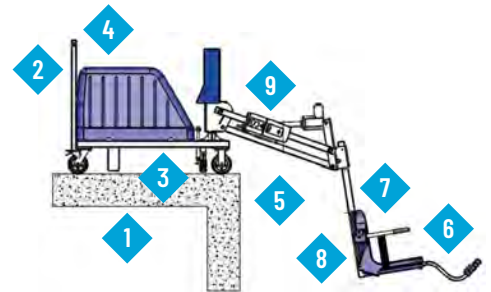


AQUATRAM PT-2



Features and Benefits

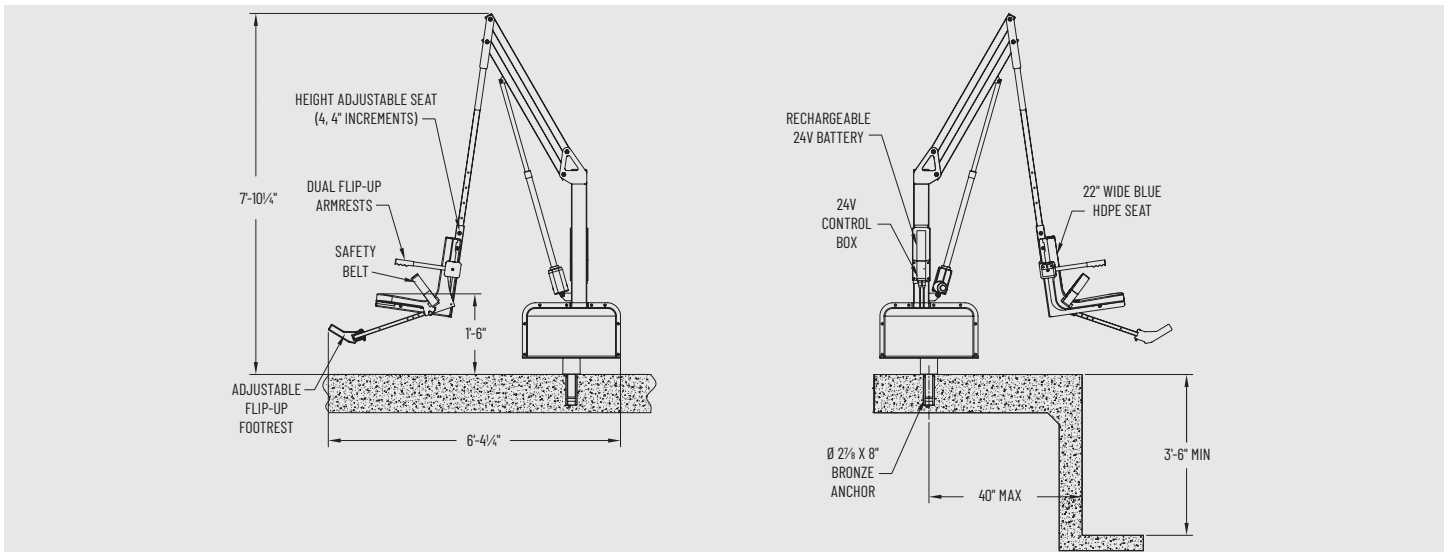
1. Mobile swimming pool access stores off-deck when not in use.
2. Highly maneuverable. Fits through most doorways.
3. ADA-Compliant with the use of the Affixment Kit (included). Docking Bar and anchor "affix" the lift in place during operating hours. Kits can be installed at various locations.
4. Standard model (11480) is counter-weighted using sand ballast. Sand can be sourced locally, saving substantial freight cost. 325-lb. lifting capacity.
5. Accommodates most pools with a "deck-to-water" dimension of up to 12".
6. Dual flip-up armrests provide easier access and safer transfers on the pool deck and in the water.
7. Comfortable seat has an adjustable lap belt with hook-and-loop fasteners, plus an adjustable and removable footrest.
8. Simple 4-button submersible handset lets the user rotate and raise and lower while seated or from the pool edge.
9. Rechargeable battery-powered operation is easier to install than water-powered lifts; provides a smoother ride, greater reliability and easier servicing with plug-and-play components.



AQUATRAM®

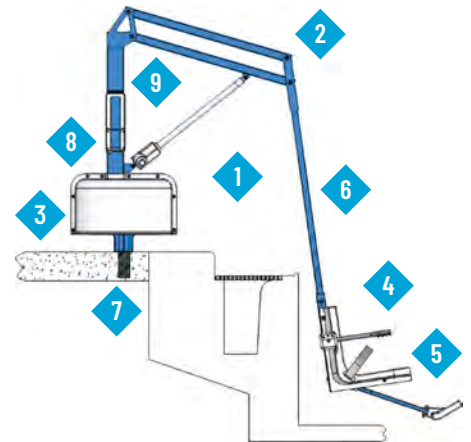
ADA-COMPLIANT POOL ACCESS LIFTS

AQUATRAM 360 LIFT



Features and Benefits

1. ADA-Compliant; lifting capacity: 500 lbs.
2. Versatile boom arm design accommodates anchor set-back distances up to 40"; clears walls up to 30" high and 10" wide; and can serve two adjoining pools from the same install location.
3. 360° unimpeded rotation in either direction allows access to and from the lift, even in small areas.
4. Dual flip-up armrests provide easier access and safer transfers on the pool deck and in the water.
5. Comfortable seat has an adjustable lap belt with hook-and-loop fasteners, plus an adjustable and removable footrest.
6. Simple 4-button submersible handset lets the user raise, lower and rotate while seated or from the pool edge.
7. Removes without tools, and moves easily with the optional transport cart. Multiple anchors can be installed in various locations around the pool to accommodate the pool's scheduled activities.
8. Stainless steel construction with corrosion-resistant, powder-coat finish.
9. Rechargeable battery-powered operation is easier to install than water-powered lifts; provides a smoother ride, greater reliability and easier servicing with plug-and-play components.



AQUATRAM[®]

ADA-COMPLIANT POOL ACCESS LIFTS

CHOOSE THE AQUATRAM LIFT THAT RISES TO YOUR NEEDS

Features and Benefits	AquaTRAM 90+	AquaTRAM 360 Lift with in-deck, tool-free anchoring	AquaTRAM LT-2 Lift with lag-bolt anchoring	AquaTRAM PT-2
Lifting capacity	400 lbs.	500 lbs.	350 lbs.	325 lbs.
ADA Compliant	✓	✓	✓	✓
Rotation for tight-area access	90° right or left	360°		90° right or left
Boom arm design adapts to the most demanding and specialized applications; superb reach and wall clearance	✓	✓		
Can serve 2 adjoining pools with 1 lift		✓		
Low-profile design uses minimal deck space	✓		✓	✓
22"-wide seat standard		✓		
Compact and lightweight, fits through most doorways	✓		✓	✓
Secure in-deck anchoring with patented design; tool-free removal; portable with optional Transport Cart	✓	✓		
Secure Docking Bar included to secure in place per ADA requirement				✓
Lag bolt anchoring, quick removal with tools; portable with optional Transport Cart			✓	
Dual flip-up armrests for easier access and safer transfers	✓	✓	✓	✓
Adjustable & removable footrest fits users across a wide range of sizes	✓	✓	✓	✓
Adjustable lap belt with hook & eye fastening	✓	✓	✓	✓
Easy-to-use Slim Line controls can be operated from seat or pool ledge	✓	✓	✓	✓
Stainless steel construction, durable powder-coat finish	✓	✓	✓	✓
Battery-operated; easier to install & smoother transport than water power	✓	✓	✓	✓
Slim, one-piece 24V rechargeable battery	✓	✓	✓	✓
Submersible remote	✓	✓	✓	✓
5-year Limited Warranty (prorated after year 2 on electronics)		✓		✓
Lifetime Limited Warranty on frame		✓		
2-year Limited Warranty	✓		✓	
Solar Upgrade Option Available	✓		✓	
Plastics Color: <input checked="" type="checkbox"/> Blue (standard) <input type="checkbox"/> Tan <input type="checkbox"/> Gray <input type="checkbox"/> White	✓	✓	✓	✓
Powder Coat Color: <input type="checkbox"/> White (standard) <input type="checkbox"/> Tan <input type="checkbox"/> Gray	✓	✓	✓	✓

AQUATRAM 90+ LIFT

Pentair P/N	Description
11420	AquaTRAM 90+ Lift w/ Quickset Dual Wedge Anchor
11420-A	AquaTRAM 90+ Lift w/o Quickset Dual Wedge Anchor
11421	AquaTRAM 90+ Lift for Round Anchor Post w/Anchor
11421-A	AquaTRAM 90+ Lift for Round Anchor w/o Anchor
11222	AquaTRAM 90+ Lift Cover
11343	AquaTRAM 90+ Lift Transport Cart
11226	AquaTRAM 90+ Anchor for Round Post Model
11202	AquaTRAM 90+ Anchor for Square Post Anchor
11240	2-1/2"OD x 1.95" ID Anchor Adapter Sleeve
11241	2-3/8"OD x 1.95" ID Anchor Adapter Sleeve
11242	2-5/8"OD x 1.95" ID Anchor Adapter Sleeve
11243	Round Anchor for Wood-Framed Deck

AQUATRAM LT-2 LIFT AND ANCHOR

Pentair P/N	Description
11430	AquaTRAM LT-2 Lift w/ Anchor Kit
11430-A	AquaTRAM LT-2 Lift Less Anchor Kit
11231	AquaTRAM LT-2 Anchor Kit only
11232	AquaTRAM LT-2 Transport Cart
11204	AquaTRAM Protective Cover
11205	Adjustable Headrest, AquaTRAM LT only
11270	AquaTRAM Replacement Hand Control
11271	AquaTRAM Replacement Control Box (LINAK)
11278	AquaTRAM Replacement Control Box (VITO)
11273	AquaTRAM Replacement Actuator Cover

AQUATRAM PT-2 LIFT

Pentair P/N	Description
11480	AquaTRAM PT-2 Lift w/ Sand Ballast (sand not incl.)
11285	AquaTRAM PT-2 Cover, Blue
11287	AquaTRAM PT-2 Accessory Upgrade Kit**
11289	Affixment Kit (contains docking bar and anchor)

**Includes cover, headrest, chest strap and extra battery

AQUATRAM SERIES SHARED OPTIONS & ACCESSORIES

Pentair P/N	Description
11206	AquaTRAM Adjustable Chest Strap
11208	AquaTRAM Pull-out Leg Rest
11211	AquaTRAM Replacement Battery (LINAK)
11277	AquaTRAM Replacement Charger (LINAK)
11212	AquaTRAM Replacement Battery (VITO)
11279	AquaTRAM Replacement Charger (VITO)
11213	AquaTRAM Replacement Footrest
11207	AquaTRAM Cycle Attachment
11305	AquaTRAM Replacement Seat w/ Arms
11215	AquaTRAM Replacement Seat Belt
11306	AquaTRAM Footrest

AQUATRAM 360 LIFT AND ACCESSORIES

Pentair P/N	Description
11250	AquaTRAM 360 Lift w/ Anchor
11250-A	AquaTRAM 360 Lift without Anchor
11252	AquaTRAM 360 Anchor Kit w/ Cap
11257	AquaTRAM 360 Protective Cover
11254	AquaTRAM 360 Adjustable Headrest
11253	AquaTRAM 360 Transport Cart
11255	AquaTRAM 360 Sling Arm Option (500-lb. capacity)
11256-C	AquaTRAM 360 Replacement Sling Chain Set
11256	AquaTRAM 360 Replacement Sling (500-lb. capacity)
11256-B	AquaTRAM 360 Replacement Sling Bars
11258	AquaTRAM 360 Gurney Option
11260	AquaTRAM 360 Spine Board Option
11261	AquaTRAM 360 Head Immobilizer for Spine Board
11274	AquaTRAM 360 Replacement Hand Control, 4-Button
11275	AquaTRAM 360 Replacement Control Box
11276	AquaTRAM 360 Replacement Actuator
11259	AquaTRAM 360 Wheelchair Option, 22" Chair included



1620 Hawkins Ave | Sanford, NC 27330 | 800.831.7133 | pentair.com

All indicated Pentair trademarks and logos are property of Pentair. Third party registered and unregistered trademarks and logos are the property of their respective owners.

P1-169 04/2021 ©2021 Pentair. All rights reserved. Pentair.com