

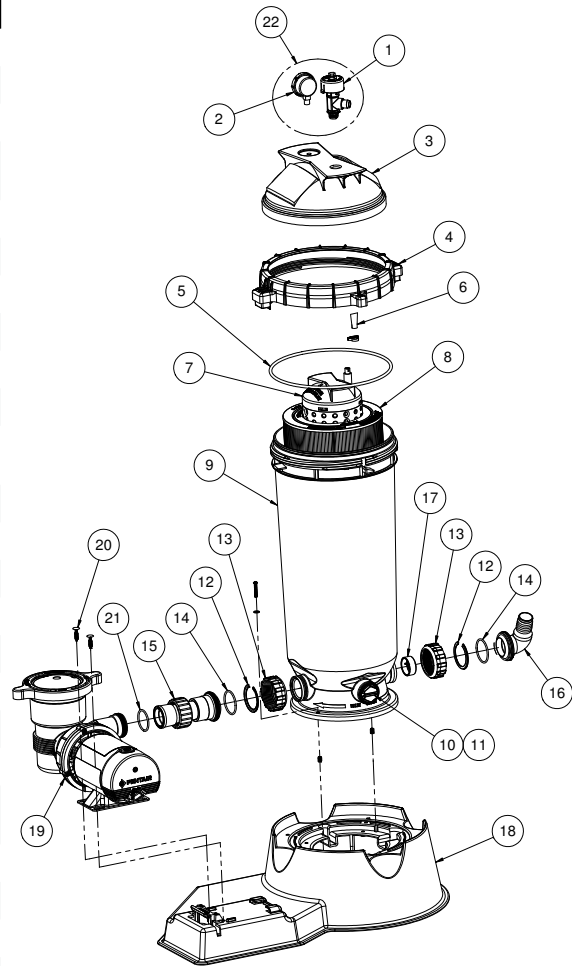
ABOVEGROUND SYSTEMS PARTS

Product Catalog 2024

CLEAN & CLEAR® FILTER SYSTEMS

REPLACEMENT PARTS FOR SYSTEMS MANUFACTURED 2009 AND BEYOND

Item	Part No.	Description	US List	Can. List
CLEAN & CLEAR FILTER SYSTEMS 2009 AND BEYOND				
1	98209800	High Flow Manual Relief Valve	52.99	63.67
2	190058Z	Pressure Gauge	CALL	CALL
3	178553	Lid, 50/100/125 sq. ft., Almond	247.29	297.14
3	178561	Lid, 75/150/175/200 sq. ft., Almond	230.57	277.05
4	59052900	Locking Ring Assy	151.74	182.33
5	87300400Z	Body O-Ring	CALL	CALL
6	59016200	Air Bleed Sock Kit	20.31	24.40
7	59053500	Center Core, 50 sq. ft.	179.87	216.13
7	59053600	Center Core, 75 sq. ft.	181.31	217.86
7	59053700	Center Core, 100/125 sq. ft.	211.37	253.98
7	59053800	Center Core, 150/175/200 sq. ft.	323.92	389.22
8	R173213	Cartridge Element, 50 sq. ft.	140.71	169.08
8	R173214	Cartridge Element, 75 sq. ft.	182.32	219.08
8	R173215	Cartridge Element, 100 sq. ft.	223.63	268.71
8	R178671	Cartridge Element, 125 sq. ft.	269.39	323.70
8	R173216	Cartridge Element, 150 sq. ft.	294.64	354.04
8	R178672	Cartridge Element, 175 sq. ft.	344.29	413.70
8	R173217	Cartridge Element, 200 sq. ft.	367.74	441.88
9	178562	Tank Bottom, 50/75, Almond	436.51	524.51
9	178563	Tank Bottom, 100/125/150/175/200, Almd	556.29	668.44
10	86202000	Drain Cap with O-Ring	29.44	35.38
11	51005000	O-Ring (Drain Cap)	10.70	12.86
12	39104500	C-Clip (Union Nut)	2.91	3.50
13	98212200	Union Nut	16.77	20.15
14	071426	O-Ring (Union)	2.47	2.97
15	155372	Pump to Filter Assembly (OptiFlo®)	85.83	103.13
16	79304700	Body swivel 1.5 NPT	31.86	38.28
16	711006	Outlet Connector	10.30	12.38
17	51516100	Check Valve Kit	61.53	73.93
18	155333P	Systems Base	CALL	CALL
18	155333CP	Systems Base, CSA Pump	143.98	173.01
19		OptiFlo Pump		
20	710009	Base Hardware Kit	25.15	30.22
21	354571	O-Ring (Union)	5.39	6.48
22	170095	Air Relief Parts Kit	93.76	112.66
ACCESSORIES				
	155151	Replacement Hose Kit, Flex Hose, 6 ft. ¹	151.09	181.55
	155005	Replacement Hose Kit, Flex Hose, 12ft ¹	199.40	239.60



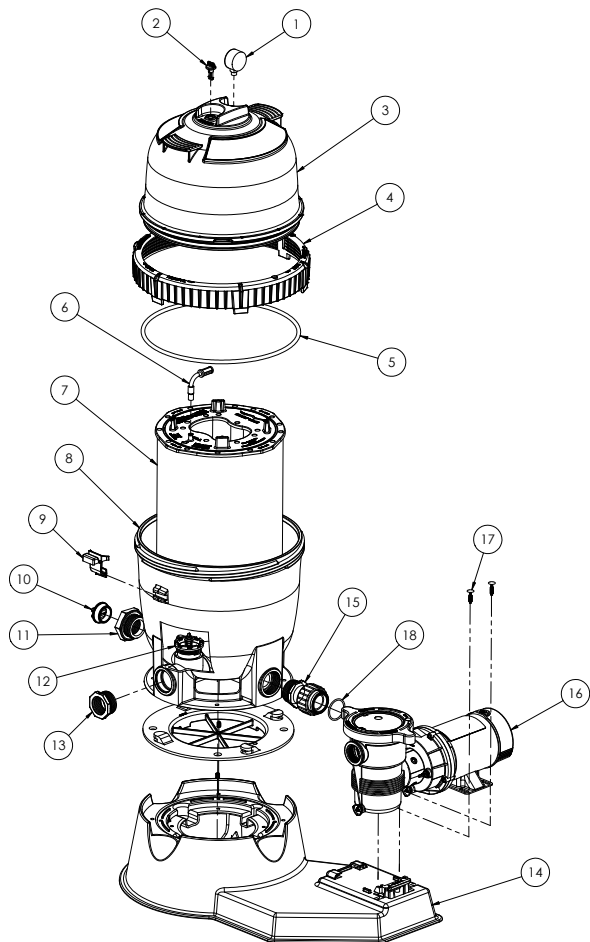
CALIFORNIA PROPOSITION 65 WARNING

⚠️ **WARNING:** Cancer and Reproductive Harm.
 ⚠️ **AVERTISSEMENT:** Peut Causer le Cancer et des Dommages au Système Reproducteur.
 ⚠️ **ADVERTENCIA:** Cáncer y Daño Reproductivo.
www.p65warnings.ca.gov PN120214

¹ Replacement Hose Kits include two (2) hoses, four (4) hose adaptors and four (4) hose clamps.

PLM FILTER SYSTEMS

REPLACEMENT PARTS FOR SYSTEMS MANUFACTURED 2009 AND BEYOND



Note: System shown with 155333P Base and OptiFlo® Pump

CALIFORNIA PROPOSITION 65 WARNING
 ⚠️ **WARNING:** Cancer and Reproductive Harm.
 ⚠️ **AVERTISSEMENT:** Peut Causer le Cancer et des Dommages au Système Reproducteur.
 ⚠️ **ADVERTENCIA:** Cáncer y Daño Reproductivo.
 www.p65warnings.ca.gov. PK20171A

Item	Part No.	Description	US List	Can. List
PLM FILTER SYSTEMS 2009 AND BEYOND				
1	15060-0000T	Pressure Gauge	66.47	79.87
2	25010-0200	Air Relief Valve Assembly	27.56	33.12
3	27001-0020S	Tank Shell Upper Half	459.47	552.10
4	27001-0054S	Posi-Lok Ring	306.80	368.65
5	27001-0061S	Body O-Ring	80.05	96.19
6	24800-0121	Air Bleed Assembly	26.64	32.01
7	27002-0100S	Filter Module - PLM100	407.87	490.10
7	27002-0150S	Filter Module - PLM150	605.45	727.51
8	27001-0009S	Tank Shell Lower Half	780.52	937.87
9	27001-0051	Safety Latch	21.59	25.94
10	27001-0022	1-1/2 in. NPT Plug	4.28	5.14
11	24900-0510	Adapter Fitting	41.68	50.08
12	27001-0130S	Spring Check Valve	33.29	40.00
13	U78-820P3	2 in. to 1-1/2 in. Pipe Reducer	19.75	23.73
14	155331P	Systems Base (ABG/JWP)	297.68	357.69
14	155333P	Systems Base (OptiFlo)	143.99	173.02
14	155333CP	Systems Base, CSA (OptiFlo)	143.98	173.01
15	155403	Pump to Filter Hose Assembly (JWP)	74.23	89.19
15	155374	Pump to Filter Assembly (OptiFlo) ²	74.23	89.19
15	155765	Pump to Filter Assembly (OptiFlo) ³	62.00	74.50
16		OptiFlo Pump		
17	710009	Base Hardware Kit	25.15	30.22
18	354571	O-Ring, Union (Opti-Flo)	5.39	6.48
18	U9-226Z	O-Ring, Union (JWP)	4.91	5.90
NOT SHOWN				
	155151	Kit, Flex Hose, 6 ft. ¹	151.09	181.55
	155005	Kit, Flex Hose, 12 ft. ¹	199.40	239.60

¹ Replacement Hose Kits include two (2) hoses, four (4) hose adaptors and four (4) hose clamps.

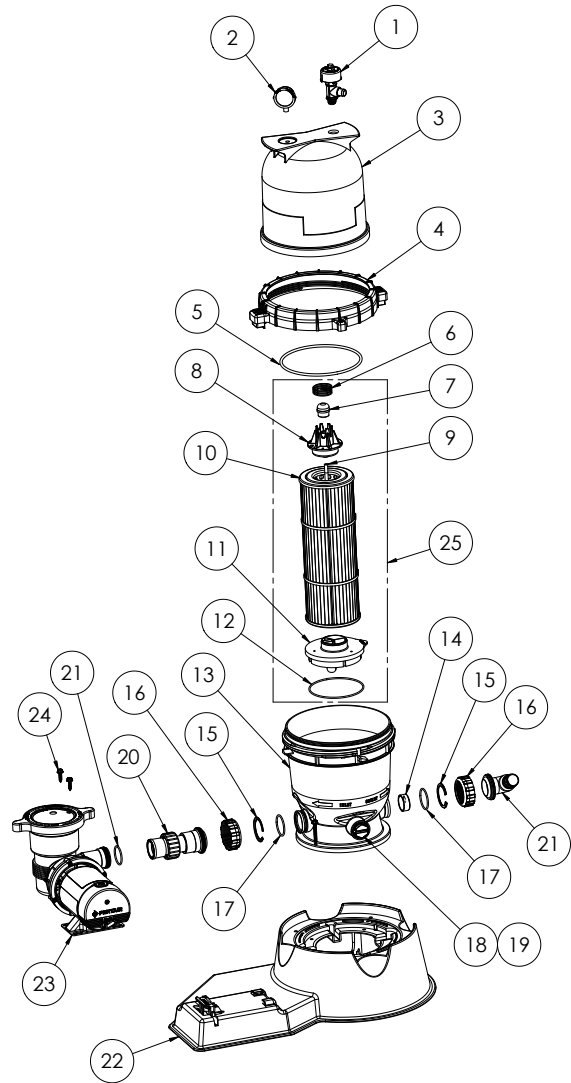
² When replacement OptiFlo pump is used on base 155333P and 155333CP.

³ When replacement OptiFlo pump is used on base 155331P.

EASYSYSTEM™ FILTER SYSTEMS

REPLACEMENT PARTS

Item	Part No.	Description	US List	Can. List
EASYSYSTEM FILTER SYSTEMS				
1	98209800	High Flow Manual Relief Valve	52.99	63.67
2	190058Z	Pressure Gauge	13.45	16.16
3	178561	Lid, Almond	230.57	277.05
4	59052900	Locking Ring Assy	151.74	182.33
5	87300400Z	Body O-Ring	14.97	17.99
6	178616	Compression Spring	9.97	11.98
7	190106Z	Air Bleeder	41.31	49.64
8	178626	Center Core Top, EC	28.15	33.83
9	U37-3/8P	Air Bleeder Tube, EC60	CALL	CALL
9	U37-3/8P	Air Bleeder Tube, EC90	CALL	CALL
10	178757	Cartridge Element, EC60	131.24	157.70
10	178656	Cartridge Element, EC90	CALL	CALL
11	178627	Center Core Bottom, EC	24.59	29.55
12	071422	O-Ring, Center Core	10.70	12.86
13	178562	Tank Bottom, EC60	436.51	524.51
13	178563	Tank Bottom, EC90	556.29	668.44
14	51516100	Check Valve Kit	61.53	73.93
15	39104500	C-Clip Union Nut	2.91	3.50
16	98212200	Union Nut	16.77	20.15
17	071426	O-Ring Union	2.47	2.97
18	86202000	Drain Cap with O-Ring	29.44	35.38
19	51005000	O-Ring Drain Cap	10.70	12.86
20	155372	Pump to Filter Assembly (OptiFlo®) - comes with O-ring (354571)	85.83	103.13
21	354571	O-Ring Union	5.39	6.48
22	155333P	Systems Base	143.99	173.02
23		OptiFlo Pump		
24	710009	Base Hardware Kit	25.15	30.22
25 ¹	196060	Element Retro Kit, EC60	210.93	253.45
25 ¹	196060	Element Retro Kit, EC90	210.93	253.45
NOT SHOWN				
	155151	Flex Hose Kit (6 ft.) ²	151.09	181.55
	155005	Flex Hose Kit (12 ft.) ²	199.40	239.60



¹ Item 25 includes items 6 through 12. Item 25 replaces the Center Core, Cartridge Element, and Air Bleeder Sock Kit on filters manufactured before 2014.

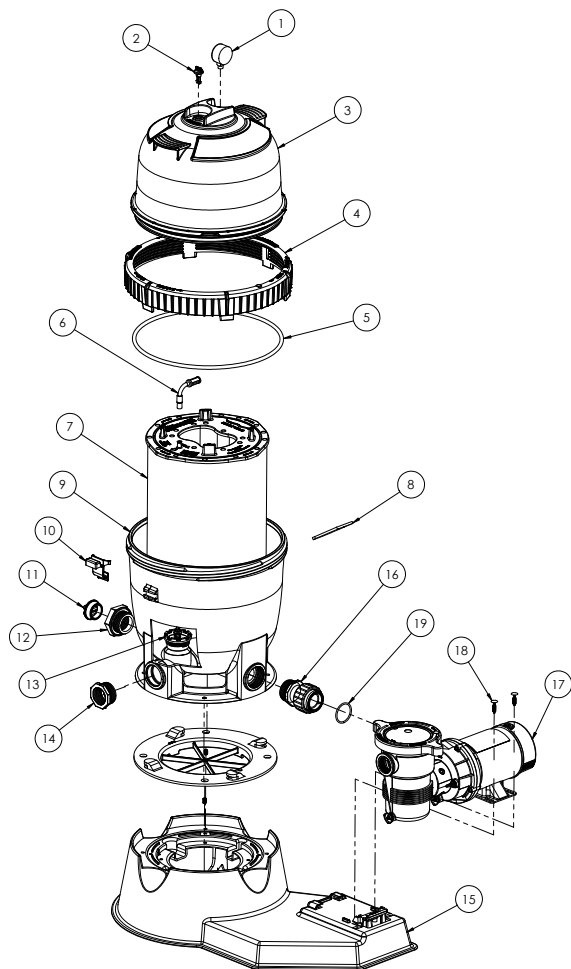
² Replacement Hose Kits include two (2) hoses, four (4) hose adapters and four (4) hose clamps.

CALIFORNIA PROPOSITION 65 WARNING

⚠ **WARNING:** Cancer and Reproductive Harm.
 ⚠ **AVERTISSEMENT:** Peut Causer le Cancer et des Dommages au Système Reproducteur.
 ⚠ **ADVERTENCIA:** Cáncer y Daño Reproductivo.
www.p65warnings.ca.gov

PLD FILTER SYSTEMS

REPLACEMENT PARTS FOR SYSTEMS MANUFACTURED 2009 AND BEYOND



Note: System shown with 155333P Base and OptiFlo® Pump

Item	Part No.	Description	US List	Can. List
PLD FILTER SYSTEMS 2009 AND BEYOND				
1	15060-0000T	Pressure Gauge	66.47	79.87
2	25010-0200	Air Relief Valve Assembly	27.56	33.12
3	27001-0020S	Tank Shell Upper Half	459.47	552.10
4	27001-0054S	Posi-Lok Ring	306.80	368.65
5	27001-0061S	Body O-Ring	80.05	96.19
6	24800-0120	Air Bleed Assembly	32.06	38.52
7	27002-0030S	Filter Module - PLD50	511.71	614.87
8	27001-0011	Flapper Valve	24.09	28.95
9	27001-0009S	Tank Shell Lower Half	780.52	937.87
10	27001-0051	Safety Latch	21.59	25.94
11	27001-0022	1-1/2 in. NPT Plug	4.28	5.14
12	24900-0510	Adapter Fitting	41.68	50.08
13	27001-0130S	Spring Check Valve	33.29	40.00
14	U78-820P3	2 in. to 1-1/2 in. Pipe Reducer	19.75	23.73
15	155333P	Systems Base (ABG/JWP)	297.68	357.69
15	155333P	Systems Base (OptiFlo)	143.99	173.02
15	155333CP	Systems Base, CSA (OptiFlo)	143.98	173.01
16	155403	Pump to Filter Hose Assembly (JWP)	74.23	89.19
16	155374	Pump to Filter Assembly (OptiFlo) ²	74.23	89.19
16	155765	Pump to Filter Assembly (OptiFlo) ³	62.00	74.50
17		OptiFlo Pump		
18	710009	Base Hardware Kit	25.15	30.22
19	354571	O-Ring, Union	5.39	6.48
NOT SHOWN				
	155151	Kit, Flex Hose, 6 ft. ¹	151.09	181.55
	155005	Kit, Flex Hose, 12 ft. ¹	199.40	239.60

CALIFORNIA PROPOSITION 65 WARNING
 ⚠️ **WARNING:** Cancer and Reproductive Harm.
 ⚠️ **AVERTISSEMENT:** Peut Causer le Cancer et des Dommages au Système Reproducteur.
 ⚠️ **ADVERTENCIA:** Cáncer y Daño Reproductivo.
www.p65warnings.ca.gov

¹ Replacement Hose Kits include two (2) hoses, four (4) hose adapters and four (4) hose clamps.

² When replacement OptiFlo pump is used on base 155333P and 155333CP.

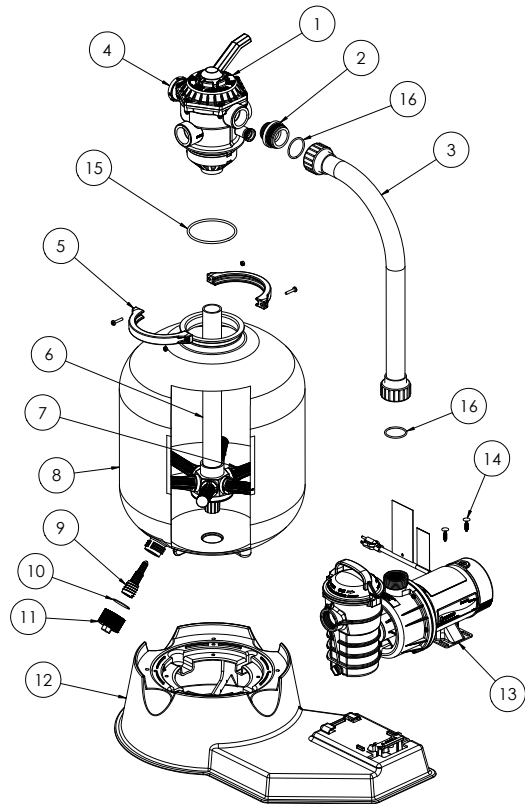
³ When replacement OptiFlo pump is used on base 155331P.

SAND DOLLAR® FILTER SYSTEMS

REPLACEMENT PARTS FOR SYSTEMS MANUFACTURED 2009 AND BEYOND

Item	Part No.	Description	US List	Can. List
SAND DOLLAR FILTER SYSTEMS 2009 AND BEYOND				
1	262506	Valve, 1-1/2 Inch, 6-Way	CALL	CALL
2	354588	Adaptor, NPT to Buttress	30.99	37.24
3	155709	Pump to Filter Assembly (Dynamo to SD35)	94.75	113.85
3	155710	Pump to Filter Assembly (Dynamo to SD40)	99.07	119.04
3	155711	Pump to Filter Assembly (Dynamo to SD60)	104.32	125.35
4	190059Z	Pressure Gauge	CALL	CALL
5	152165	Clamp Assembly	37.82	45.44
6	152229	Piping Assembly – SD35	187.73	225.58
6	152228	Piping Assembly – SD40	173.32	208.26
6	152227	Piping Assembly – SD60	201.49	242.11
7	150084	Lateral – SD 35 & SD 40	10.42	12.52
7	150085	Lateral – SD60	13.10	15.74
8	145339	Tank w/ Drain – SD35	432.02	519.12
8	145341	Tank w/ Drain – SD40	573.17	688.72
8	145343	Tank w/ Drain – SD60	793.55	953.53
9	154711Z	Sand Drain	25.57	30.72
10	154715	Gasket (Sand Drain)	8.68	10.43
11	154712Z	Drain Cap	CALL	CALL
12	155333P	Systems Base	143.99	173.02
12	155333CP	Systems Base, CSA Pump	143.98	173.01
13		OptiFlo® Pump		
14	710009	Base Hardware Kit	25.15	30.22
15	272541	O-Ring Valve Body	12.35	14.84
16	354571	O-Ring, Union	5.39	6.48
NOT SHOWN				
	155151	Kit, Flex Hose, 6 ft. ¹	151.09	181.55
	155005	Kit, Flex Hose, 12 ft. ¹	199.40	239.60

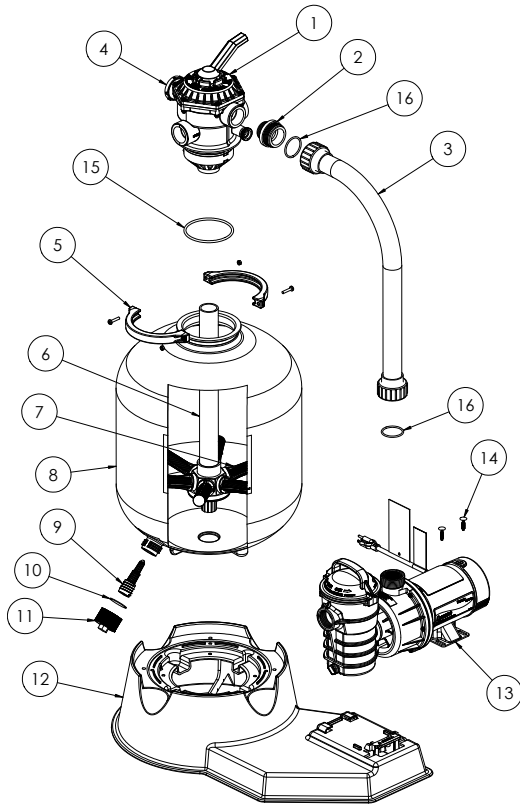
¹ Replacement Hose Kits include two (2) hoses, four (4) hose adaptors and four (4) hose clamps.



CALIFORNIA PROPOSITION 65 WARNING
 ⚠️ **WARNING:** Cancer and Reproductive Harm.
 ⚠️ **AVERTISSEMENT:** Peut Causer le Cancer et des Dommages au Système Reproducteur.
 ⚠️ **ADVERTENCIA:** Cáncer y Daño Reproductivo.
www.p65warnings.ca.gov P65019-A

CRISTAL-FLO™ II FILTER SYSTEMS

REPLACEMENT PARTS FOR SYSTEMS MANUFACTURED 2009 AND BEYOND



Item	Product	Description	US List	Can. List
CRISTAL-FLO II FILTER SYSTEMS 2009 AND BEYOND				
1	262506	Valve, 1-1/2 Inch, 6-Way	CALL	CALL
2	354588	Adaptor, NPT to Buttress	30.99	37.24
3	155726	Pump to Filter Assy (JWP/ABG to 16 in. Tank)	94.75	113.85
3	155727	Pump to Filter Assy (JWP/ABG to 19 in. Tank)	99.07	119.04
3	155728	Pump to Filter Assy (JWP/ABG to 22 in. Tank)	104.32	125.35
3	155709	Pump to Filter Assy (Dynamo/OptiFlo® to 16 in. Tank)	94.75	113.85
3	155710	Pump to Filter Assy (Dynamo/OptiFlo to 19 in. Tank)	99.07	119.04
3	155711	Pump to Filter Assy (Dynamo/OptiFlo to 22 in. Tank)	104.32	125.35
4	190059Z	Pressure Gauge	66.35	79.73
5	152165	Clamp Assembly	37.82	45.44
6	152229	Piping Assembly – 16 in. Tank	187.73	225.58
6	152228	Piping Assembly – 19 in. Tank	173.32	208.26
6	152227	Piping Assembly – 22 in. Tank	201.49	242.11
7	150084	Lateral – 16 in. & 19 in. Tanks	10.42	12.52
7	150085	Lateral – 22 in. Tanks	13.10	15.74
8	145364	Tank w/ Drain – 16 in. Tank	414.05	497.52
8	145365	Tank w/ Drain – 19 in. Tank	549.25	659.98
8	145366	Tank w/ Drain – 22 in. Tank	760.49	913.80
9	154711Z	Sand Drain	25.57	30.72
10	154715	Gasket (Sand Drain)	8.68	10.43
11	154712Z	Drain Cap	46.09	55.38
12	155333P	Systems Base	143.99	173.02
12	155333CP	Systems Base, CSA Pump	143.98	173.01
13		OptiFlo Pump		
14	710009	Base Hardware Kit	25.15	30.22
15	272541	O-Ring Valve Body	12.35	14.84
16	354571	O-Ring, Union	5.39	6.48
NOT SHOWN				
	155151	Kit, Flex Hose, 6 ft. ¹	151.09	181.55
	155005	Kit, Flex Hose, 12 ft. ¹	199.40	239.60
	155767	Conn Kit, Pump to Filter All sizes	51.72	62.15

CALIFORNIA PROPOSITION 65 WARNING
 ⚠️ **WARNING:** Cancer and Reproductive Harm.
 ⚠️ **AVERTISSEMENT:** Peut Causer le Cancer et des Dommages au Système Reproducteur.
 ⚠️ **ADVERTENCIA:** Cáncer y Daño Reproductivo.
www.p65warnings.ca.gov P8 201514

¹ Replacement hose kits include (2) hoses, (4) hose adapters and (4) hose clamps.