

# HEATERS & HEAT PUMPS PARTS

Product Catalog 2024



# HEATER MASTER KITS

## REPLACEMENT PARTS



Part No.	Description	Qty.	US List	Can. List
<b>HEATER MASTER KIT - ALL</b>				
<b>461100</b>	<b>HEATER MASTER KIT - ALL</b>		1760.66	2115.61
32850-0099	"Fireman's Switch Fuse (1.25 amps)"	3		
U9-226Z	ORNG #2-226 70 DURO BUNA	2		
472610Z	Membrane Pad (NA, LP Series)	1		
476223	Ignition Control Module	1		
42001-0053S	Thermistor	2		
42001-0060S	Water Pressure Switch	1		
42001-0061S	Air Flow Switch	1		
42001-0063S	High Limit Switch	2		
42001-0107S	Transformer, 115/230V	1		
461105	Control Board Kit (NA, LP Series)	1		
42002-0024S	Stack Flue Sensor	1		
42002-0025S	Automatic Gas Shutoff Switch (AGS)	2		
77707-0001	Manifold Bypass Valve Kit	1		
77707-0010	"Thermal Regulator Kit (Incl. Spring, O-ring, Cap and Spring Clip)"	1		
77707-0054	Igniter/Igniter Gasket Kit	1		

Included in Kit



<b>HEATER MASTER KIT - ELECTRICAL</b>				
<b>461101</b>	<b>HEATER MASTER KIT - ELECTRICAL</b>		765.51	919.84
32850-0099	"Fireman's Switch Fuse (1.25 amps)"	3		
42001-0053S	Thermistor	2		
42001-0060S	Water Pressure Switch	1		
42001-0061S	Air Flow Switch	1		
42001-0063S	High Limit Switch	2		
42002-0024S	Stack Flue Sensor	1		
42002-0025S	Automatic Gas Shutoff Switch (AGS)	2		
77707-0054	Igniter/Igniter Gasket Kit	1		

Included in Kit



<b>HEATER MASTER KIT - WATER</b>				
<b>461102</b>	<b>HEATER MASTER KIT - WATER</b>		612.40	735.86
42001-0053S	Thermistor	2		
42001-0060S	Water Pressure Switch	1		
42001-0063S	High Limit Switch	2		
42002-0025S	Automatic Gas Shutoff Switch (AGS)	2		
77707-0001	Manifold Bypass Valve Kit	1		
77707-0010	"Thermal Regulator Kit (Incl. Spring, O-ring, Cap and Spring Clip)"	1		

Included in Kit

Compatible with Pentair MasterTemp® High Performance Heaters,  
Sta-Rite Max-E-Therm® High Performance Heaters, Models 175/200/250/300/333/400.

Not compatible with 125,000 BTU heater.

Save money by purchasing commonly used replacement parts in one handy, reusable hard case.  
Conveniently refill by ordering individual parts.

# ETi® 400 HEATER

## REPLACEMENT PARTS

Item	Part No.	Description	US List	Can. List	Item	Part No.	Description	US List	Can. List
<b>SYSTEM</b>									
1	475978	Fan Control Board	221.30	265.91	35	475622	Vent Socket	130.15	156.39
2	475984	Membrane Pad	115.03	138.22	36	475623	TitanTough Heat Exchanger	6896.23	8286.51
3	475985	AGS 150 degree F	88.51	106.35	37	475624	Burner	CALL	CALL
4	475987	Air Pressure Switch	128.34	154.21	38	476000	Combustion Blower Replacement Kit	390.53	469.26
5	475996	Wire Harness	520.77	625.76	39	476001	Gas Control Valve Replacement Kit	CALL	CALL
6	475998	Thermal Fuse (white)	110.60	132.90	40	38404-4097S	3/4 in. Union	55.99	67.28
7	475601	Stack Flue Sensor (blue)	97.35	116.98	41	42001-0063S	High Limit Switch	97.35	116.98
8	476081Z	Gas Engine Spark Electrodes	201.60	242.24	42	U178-920PZ	Drain Plug	7.80	9.37
9	475982	Spark Electrodes Cables	190.32	228.69	43	476002	Manifold	559.86	672.73
10	475980	Condensate Assembly/Float Switch	354.07	425.45	44	476003	Manifold-Enclosure Fasteners	173.56	208.55
11	475615	HX and Chimney Gaskets	885.32	1063.80	45	476004	Hold Down Bracket Kit	86.76	104.25
12	475606	Heat Exchanger Screws	110.60	132.90	46	476072	Propane Gas Orifice Kit	177.03	212.72
13	475979	Assembly, Plug 120/240V	88.51	106.35	47	475975	Control Board	265.58	319.12
14	475603	Tridicator	132.77	159.54	48	475976	Ignition Control Module	354.07	425.45
15	475604	Gas and Air orifices (natural gas)	70.79	85.06	49	462023	Flame Sensor	CALL	CALL
16	475973	Heater Gasket Kit	398.35	478.66	50	476059	Burner Assembly	CALL	CALL
17	475971	Air Intake Kit	349.69	420.19	51	476101	Base Door Gas Side	243.00	291.99
18	475608	Gas Side Panel	216.97	260.71	52	476102	Base Door Control Side	243.00	291.99
19	475609	Water Manifold Panel	130.15	156.39	53	476106	Kit Heat Exchanger Union Adapters	390.53	469.26
20	475610	Control Board Panel	243.00	291.99	54	475777Z	Top Panel	CALL	CALL
21	475611	Latch Assembly	108.45	130.31		462054	Accessories and Documents Bundle	CALL	CALL
22	475612	Condensate Neutralizer Kit	386.27	464.14					
23	475613	Inlet Plumbing Assembly	737.75	886.48					
24	475614	Outlet Plumbing Assembly	564.15	677.88					
25	475617	Exhaust Assembly	125.82	151.19					
26	42001-0056S	Terminal Board	84.00	100.93					
27	32850-0099	Fireman's Switch Fuse (1.25 amps)	11.74	14.11					
28	42001-0053S	Thermistor, Water Sensor	124.34	149.41					
29	42001-0060S	Water Pressure Switch	128.49	154.39					
30	42001-0107S	Dual Voltage Transformer	106.18	127.59					
31	475618	Pressure Relief Valve	216.97	260.71					
32	475619	Control Cover	43.37	52.11					
33	475620	Vent Cap Exhaust	17.30	20.79					
34	475621	Water Bypass Assembly	56.37	67.73					

## CALIFORNIA PROPOSITION 65 WARNING

⚠️ **WARNING:** Cancer and Reproductive Harm.  
 ⚠️ **AVERTISSEMENT:** Peut Causer le Cancer et des Dommages au Système Reproducteur.  
 ⚠️ **ADVERTENCIA:** Cáncer y Daño Reproductivo.  
[www.p65warnings.ca.gov](http://www.p65warnings.ca.gov)

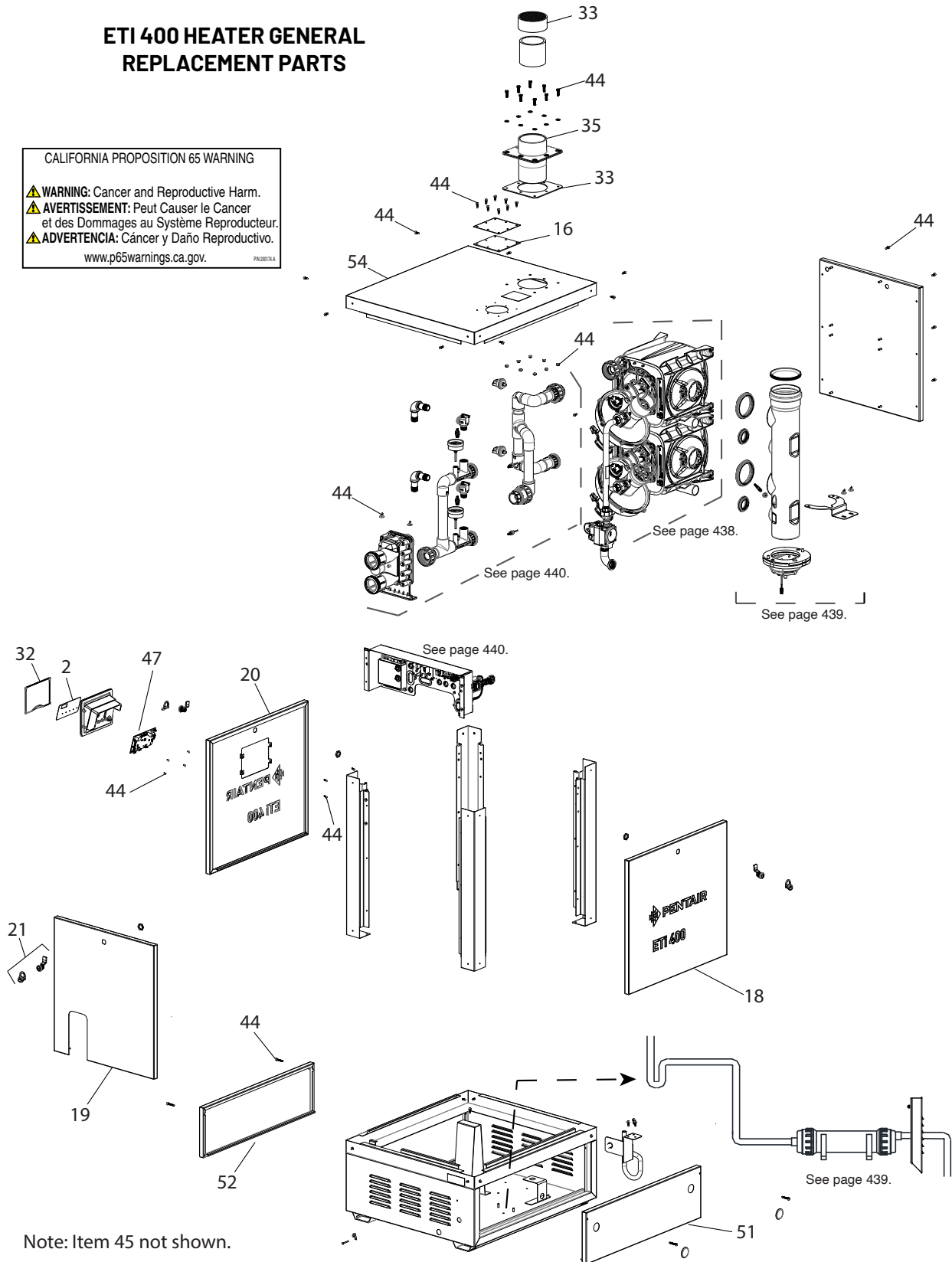
PA 2017.1.1

# ETi® 400 HEATER (CONT'D)

## REPLACEMENT PARTS

### ETI 400 HEATER GENERAL REPLACEMENT PARTS

CALIFORNIA PROPOSITION 65 WARNING  
 ⚠️ **WARNING:** Cancer and Reproductive Harm.  
 ⚠️ **AVERTISSEMENT:** Peut Causer le Cancer et des Dommages au Système Reproducteur.  
 ⚠️ **ADVERTENCIA:** Cáncer y Daño Reproductivo.  
 www.p65warnings.ca.gov. PK20171A



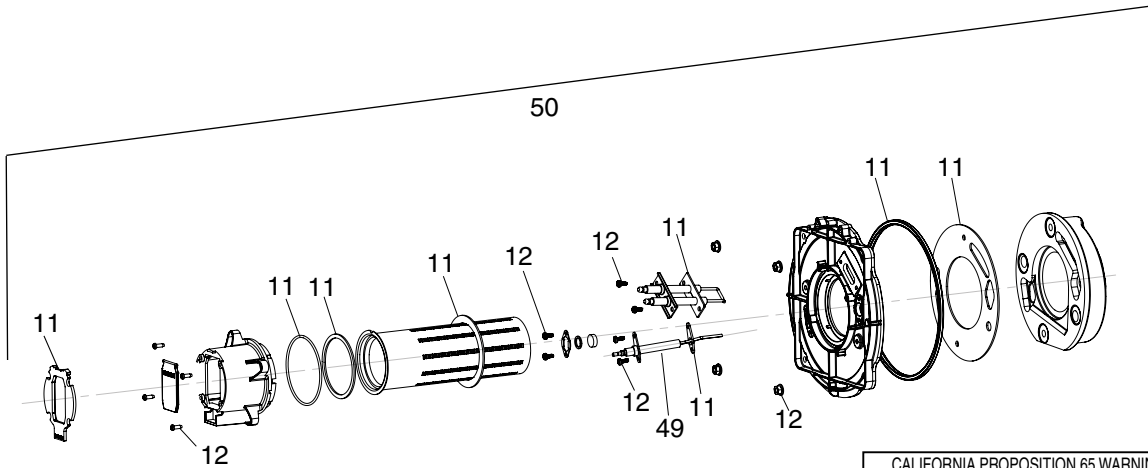
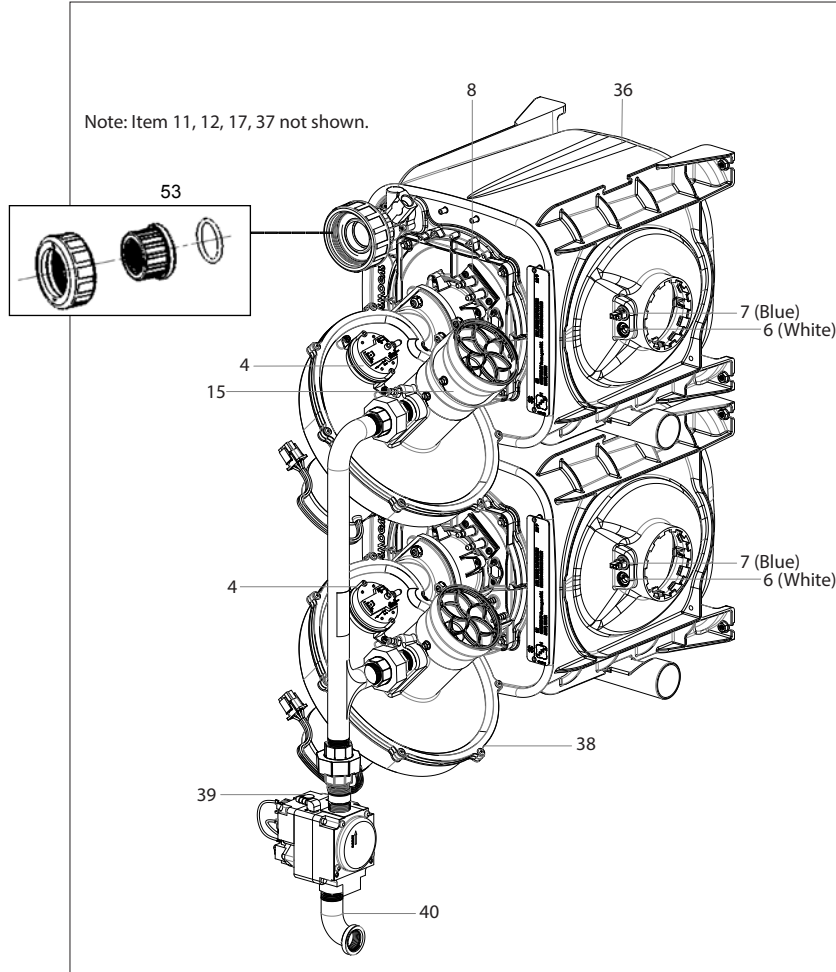
Note: Item 45 not shown.

Product on page 100–101.

# ETi® 400 HEATER (CONT'D)

## REPLACEMENT PARTS

### BURNER SYSTEM REPLACEMENT PARTS



CALIFORNIA PROPOSITION 65 WARNING

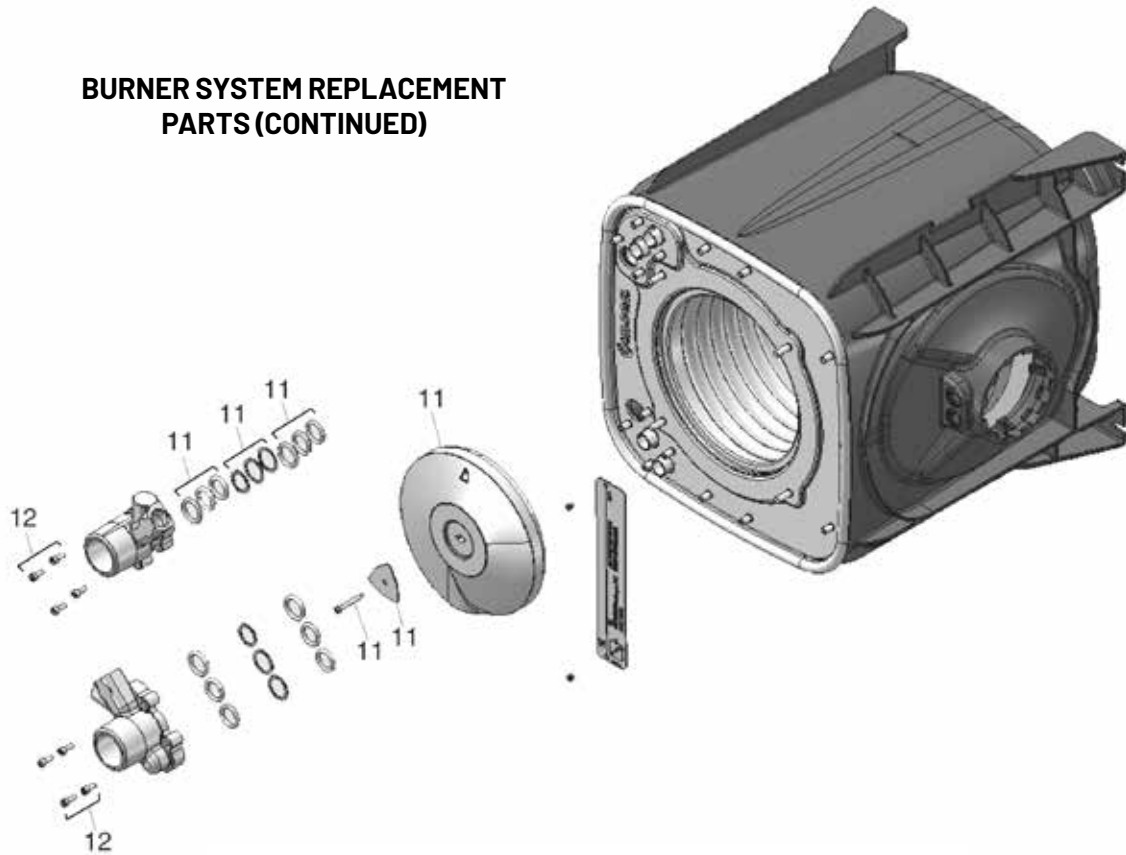
⚠ **WARNING:** Cancer and Reproductive Harm.  
 ⚠ **AVERTISSEMENT:** Peut Causer le Cancer et des Dommages au Système Reproducteur.  
 ⚠ **ADVERTENCIA:** Cáncer y Daño Reproductivo.

www.p65warnings.ca.gov. PH00174A

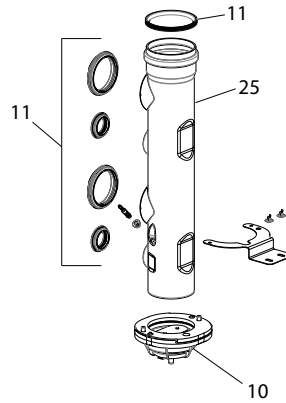
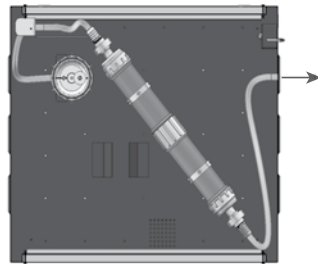
# ETi® 400 HEATER (CONT'D)

## REPLACEMENT PARTS

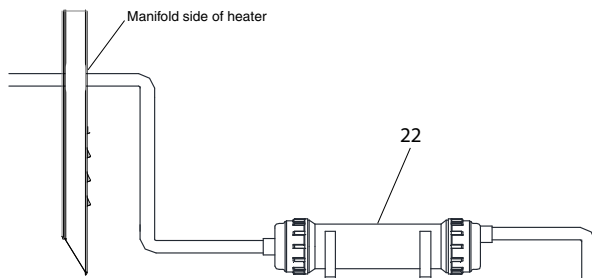
### BURNER SYSTEM REPLACEMENT PARTS (CONTINUED)



### ETI 400 HEATER CONDENSATE ASSEMBLY REPLACEMENT PARTS



Condensate Neutralizer Cartridge (Optional, P/N 475612 sold separately). The cartridge may be mounted to the base of the heater for an outdoor installation.



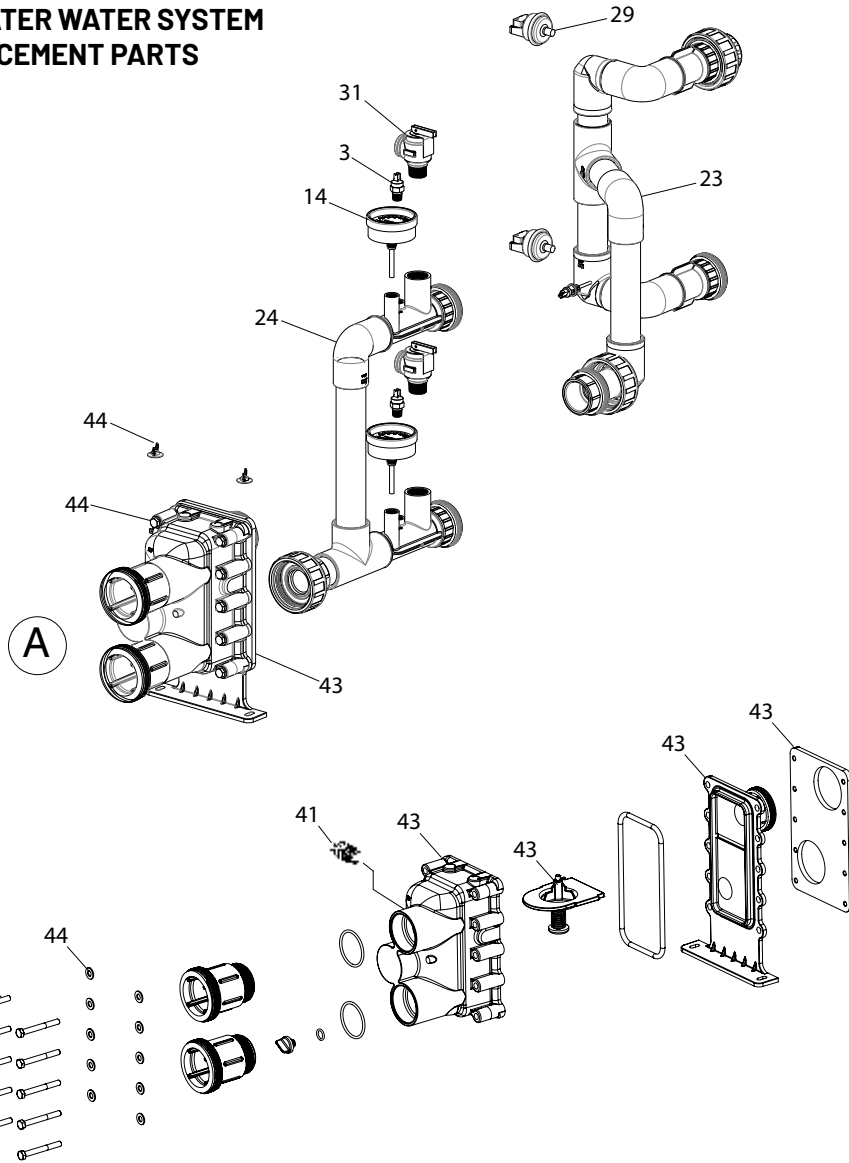
Condensate Neutralizer Cartridge (Optional, P/N 475612 sold separately). The cartridge may be mounted external to the heater for an indoor installation.

CALIFORNIA PROPOSITION 65 WARNING  
 ⚠️ **WARNING:** Cancer and Reproductive Harm.  
 ⚠️ **AVERTISSEMENT:** Peut Causer le Cancer et des Dommages au Système Reproducteur.  
 ⚠️ **ADVERTENCIA:** Cáncer y Daño Reproductivo.  
[www.p65warnings.ca.gov](http://www.p65warnings.ca.gov)

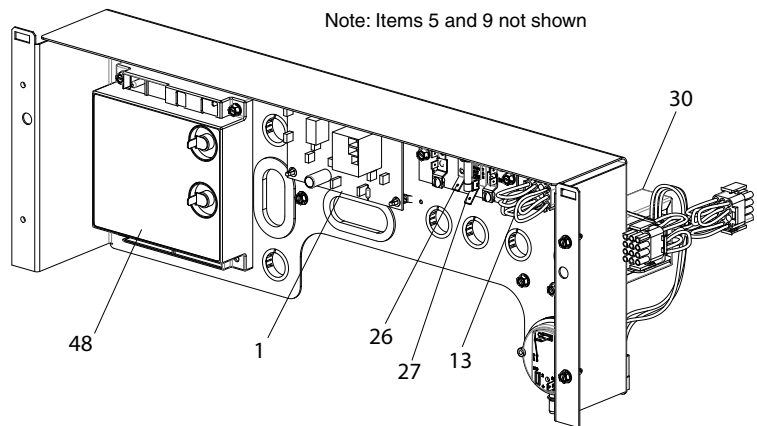
# ETi® 400 HEATER (CONT'D)

## REPLACEMENT PARTS

### ETI 400 HEATER WATER SYSTEM REPLACEMENT PARTS



### OPERATOR CONTROL PANEL ASSEMBLY REPLACEMENT PARTS



CALIFORNIA PROPOSITION 65 WARNING

⚠ **WARNING:** Cancer and Reproductive Harm.  
 ⚠ **AVERTISSEMENT:** Peut Causer le Cancer  
 et des Dommages au Système Reproducteur.  
 ⚠ **ADVERTENCIA:** Cáncer y Daño Reproductivo.

[www.p65warnings.ca.gov](http://www.p65warnings.ca.gov)

PH3287XA

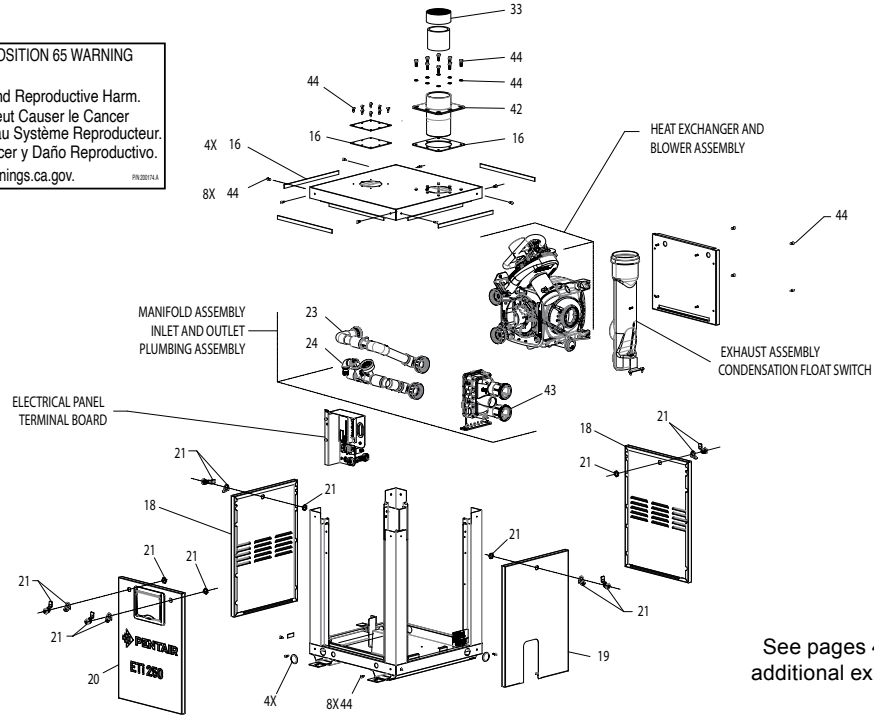
Product on page 100–101.



# ETi® 250

## HIGH EFFICIENCY POOL AND SPA HEATER REPLACEMENT PARTS

**CALIFORNIA PROPOSITION 65 WARNING**  
**⚠ WARNING:** Cancer and Reproductive Harm.  
**⚠ AVERTISSEMENT:** Peut Causer le Cancer et des Dommages au Système Reproducteur.  
**⚠ ADVERTENCIA:** Cáncer y Daño Reproductivo.  
[www.p65warnings.ca.gov](http://www.p65warnings.ca.gov)



See pages 442–446 for additional exploded views.

Item	Part No.	Description	US List	Can. List
<b>SYSTEM</b>				
1	476384	Control Board	243.00	291.99
2	461106	Membrane Pad	215.67	259.15
3	475985	Automatic Gas Shut-Off Switch (AGS) 150°F	88.51	106.35
4	476365	Air Pressure Switch	215.27	258.67
5	475601	Stack Flue Sensor	97.35	116.98
6	476364	Wire Harness (not shown)	517.95	622.37
7	475998	Thermal Switch/Fuse	110.60	132.90
8	476081Z	Spark Electrode LP-NA	201.60	242.24
9	475982	Spark Electrodes Cables (not shown)	190.32	228.69
10	476366	Float Switch (KIT)	354.03	425.40
11	476367	Hx And Chimney Gaskets And Insulation	CALL	CALL
12	476417	Heat Exchanger Screw (KIT)	CALL	CALL
13	475979	Plug 120/240V	88.51	106.35
14	475603	Tridicator Gauge	132.77	159.54
15	476369	Natural Gas Orifices (KIT)	CALL	CALL
16	476419	Heater Gasket (KIT)	158.80	190.81
17	476371	Air Intake (KIT)	185.55	222.96
18	476372	Panel, Louver Door ETI-250	220.31	264.72
19	476374	Panel, Water Manifold Door, ETI 250	220.31	264.72
20	476373	Panel, Control Side Door, ETI 250	303.27	364.41
21	475611	Latch Assembly	108.45	130.31
22	476375	Condensate Neutralizer Cartridge (KIT)	252.73	303.68
23	476376	Inlet Plumbing Assembly (KIT)	678.08	814.78
24	476377	Outlet Plumbing Assembly (KIT)	678.08	814.78
25	476378	Exhaust Assembly (KIT)	486.39	584.45
26	42001-0056S	Terminal Board	84.00	100.93
27	32850-0099	Fireman's Switch Fuse (1.25 AMPS)	11.74	14.11
28	42001-0053S	Thermistor, Water Sensor	124.34	149.41

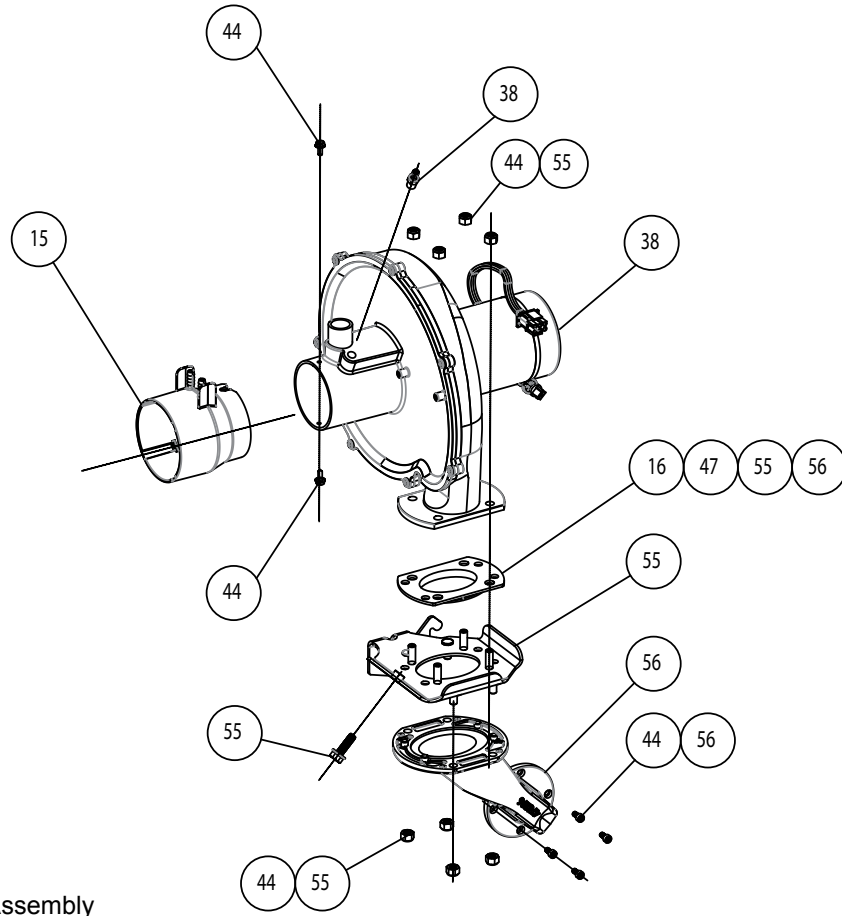
Item	Part No.	Description	US List	Can. List
29	42001-0060S	Water Pressure Switch	128.49	154.39
30	42001-0107S	Dual Voltage Transformer	106.18	127.59
31	475618	Pressure Relief Valve	216.97	260.71
32	475619	Control Cover	43.37	52.11
33	475620	Vent Cap Exhaust	17.30	20.79
34	476380	Water Bypass Assy (KIT)	56.07	67.37
35	475622	Vent Socket	130.15	156.39
36	476382	TitanTough Heat Exchanger	6896.22	8286.50
37	476383	Burner (KIT)	CALL	CALL
38	476000	Blower	390.53	469.26
39	476409	Gas Valve	682.60	820.21
40	38404-4097S	3/4" Union	55.99	67.28
41	42001-0063S	High Limit Switch	97.35	116.98
42	U178-920P	Drain plug	CALL	CALL
43	476381	Water Manifold Assembly (KIT)	559.87	672.74
44	476420	Manifold-Enclosure Fasteners	CALL	CALL
45	476368	Hold Down Bracket (KIT) (not shown)	CALL	CALL
46*	476370	Propane Conversion Orifices (KIT)	70.38	84.57
47	476421	Blower Gasket	28.33	34.04
48	476385	Ignition Control Module	384.96	462.57
49	462023	Flame Sensor	CALL	CALL
50	476386	Burner Assembly (KIT)	CALL	CALL
51	476389	Control Housing	142.77	171.55
52	461103	Inlet Brass Fitting	130.81	157.18
53	461104	Outlet Brass Fitting	130.81	157.18
54	476106	Heat Exchanger Union Adapter (KIT)	390.53	469.26
55	476400	Bracket, Air Manifold	CALL	CALL
56	476401	Air Manifold	CALL	CALL
57*	462057	High Altitude Conversion Kit	70.38	84.57
	462065	Accessories and Documents Bundle	CALL	CALL

Product on page 102–103.

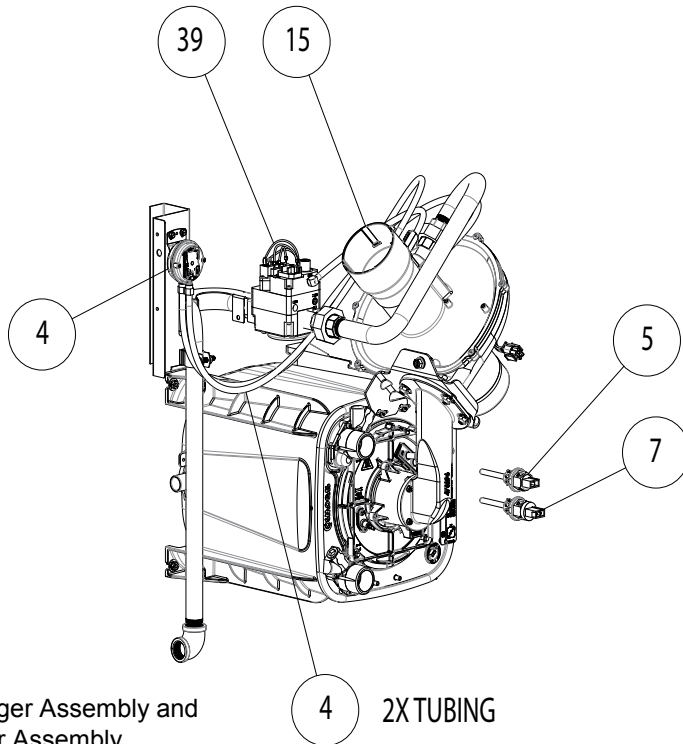
(\*) Refer to the installation and user guides of the ETi 250 High Altitude Installation Kit and/or ETi 250 Propane Conversion Kit to determine each kit's suitability for your specific installation.

# ETi® 250 (CONT'D)

## HIGH EFFICIENCY POOL AND SPA HEATER REPLACEMENT PARTS



Blower Assembly

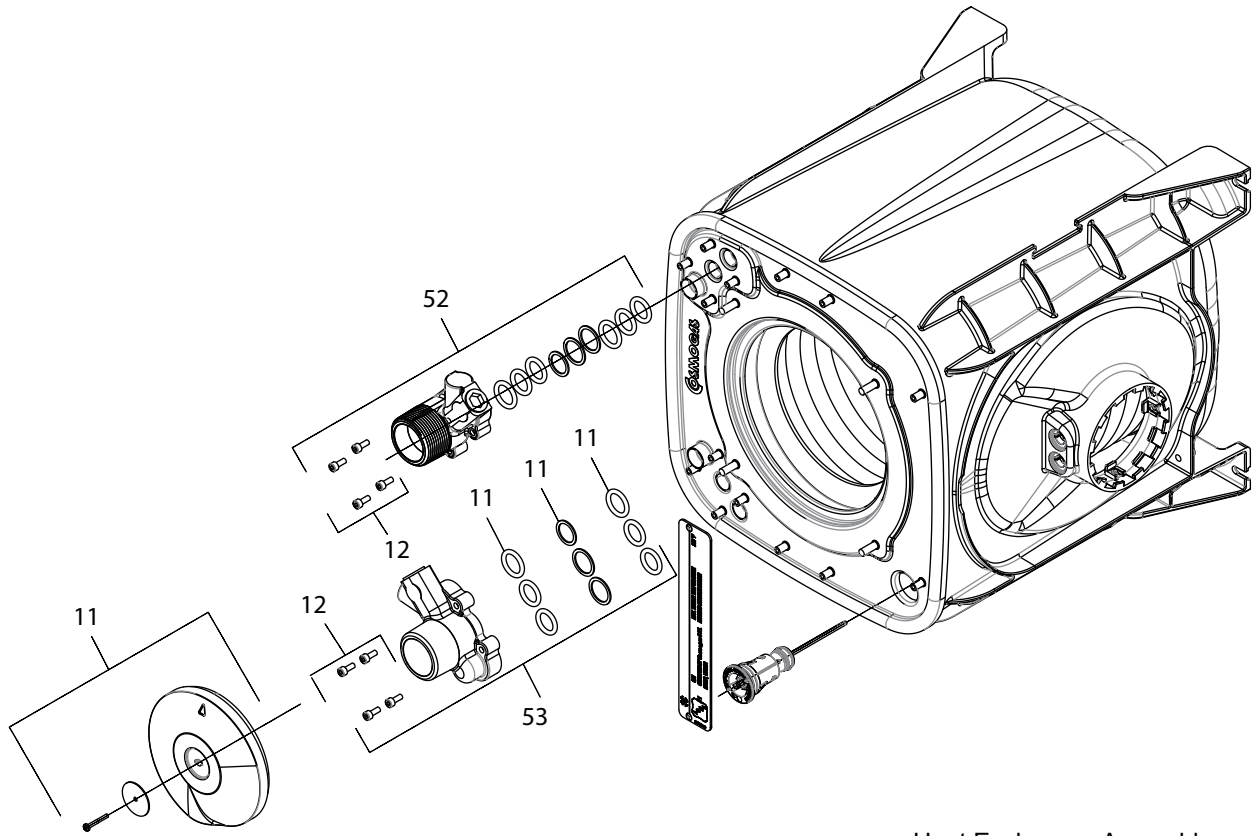


Heat Exchanger Assembly and Blower Assembly

CALIFORNIA PROPOSITION 65 WARNING  
 ⚠️ **WARNING:** Cancer and Reproductive Harm.  
 ⚠️ **AVERTISSEMENT:** Peut Causer le Cancer et des Dommages au Système Reproducteur.  
 ⚠️ **ADVERTENCIA:** Cáncer y Daño Reproductivo.  
[www.p65warnings.ca.gov](http://www.p65warnings.ca.gov) P652017-1

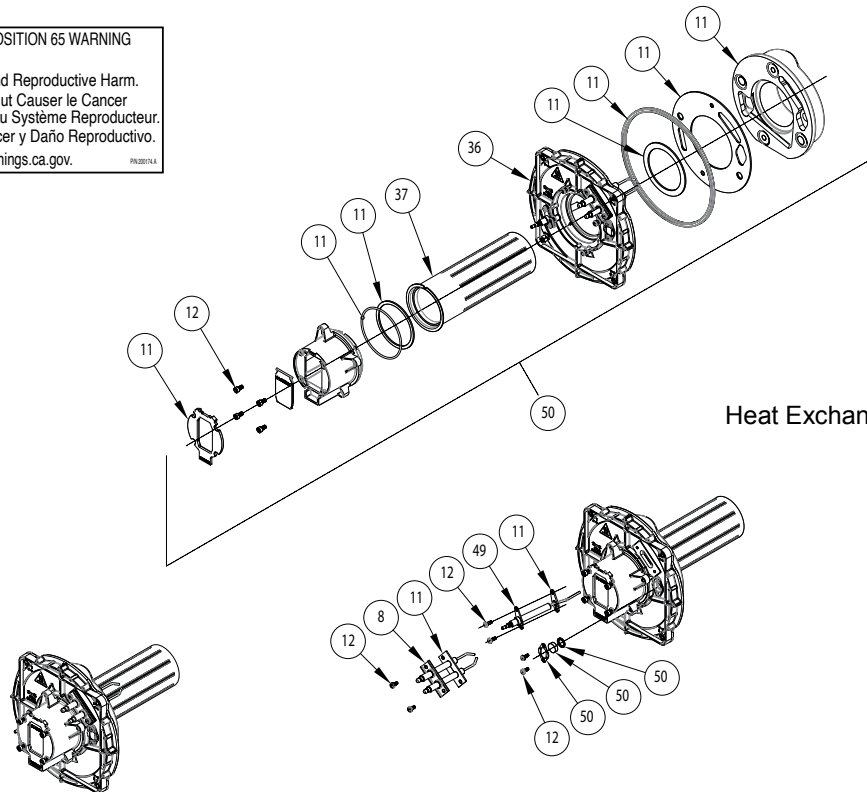
# ETi® 250 (CONT'D)

## HIGH EFFICIENCY POOL AND SPA HEATER REPLACEMENT PARTS



Heat Exchanger Assembly

CALIFORNIA PROPOSITION 65 WARNING  
 ⚠️ **WARNING:** Cancer and Reproductive Harm.  
 ⚠️ **AVERTISSEMENT:** Peut Causer le Cancer et des Dommages au Système Reproducteur.  
 ⚠️ **ADVERTENCIA:** Cáncer y Daño Reproductivo.  
 www.p65warnings.ca.gov. P182071-1

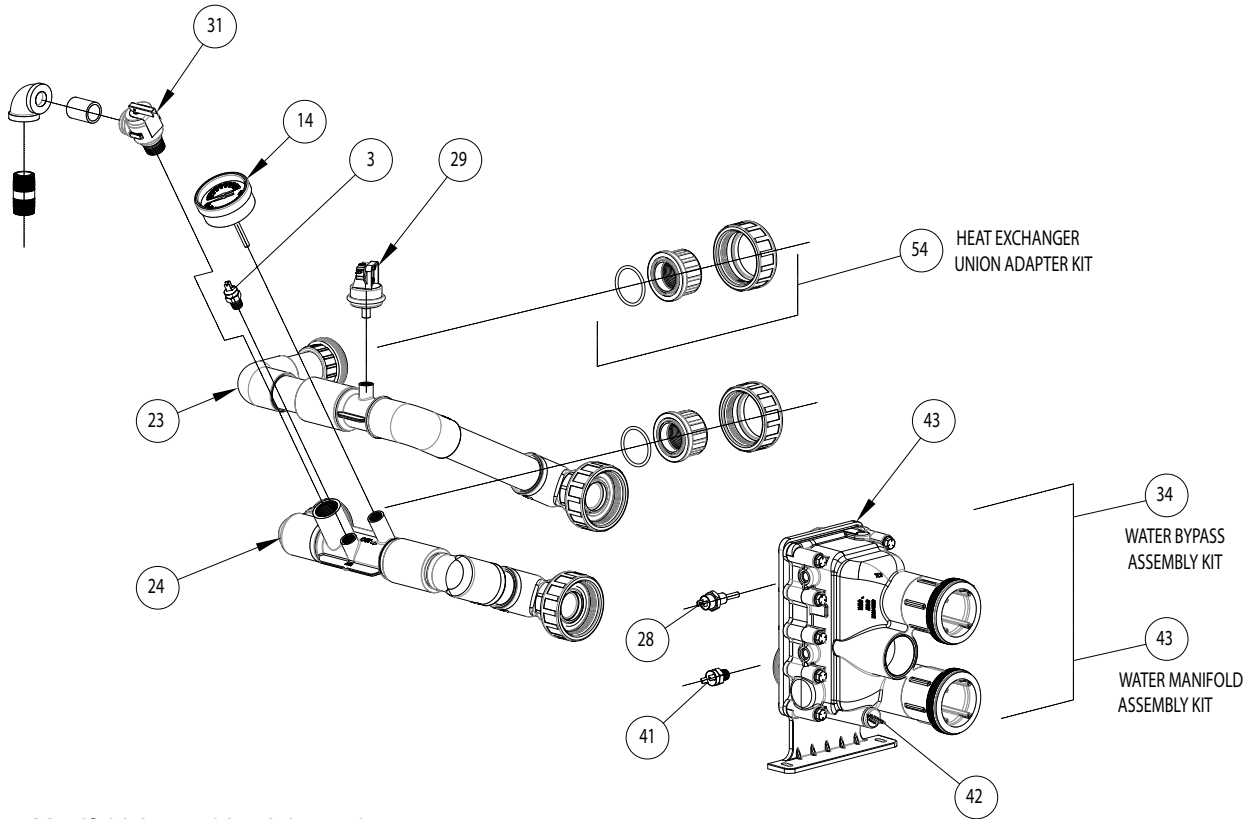


Heat Exchanger Assembly

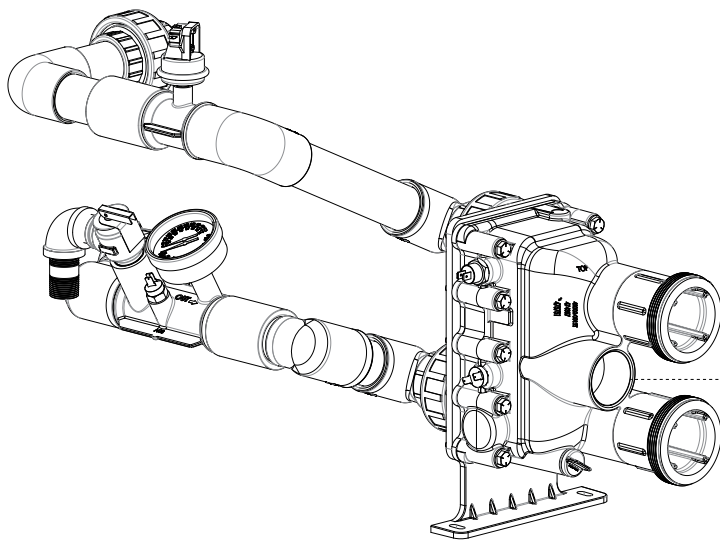
Product on page 102–103.

# ETi® 250 (CONT'D)

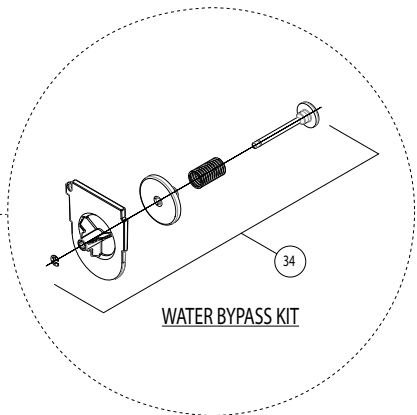
## HIGH EFFICIENCY POOL AND SPA HEATER REPLACEMENT PARTS



Manifold Assembly - Inlet and Outlet Plumbing Assembly



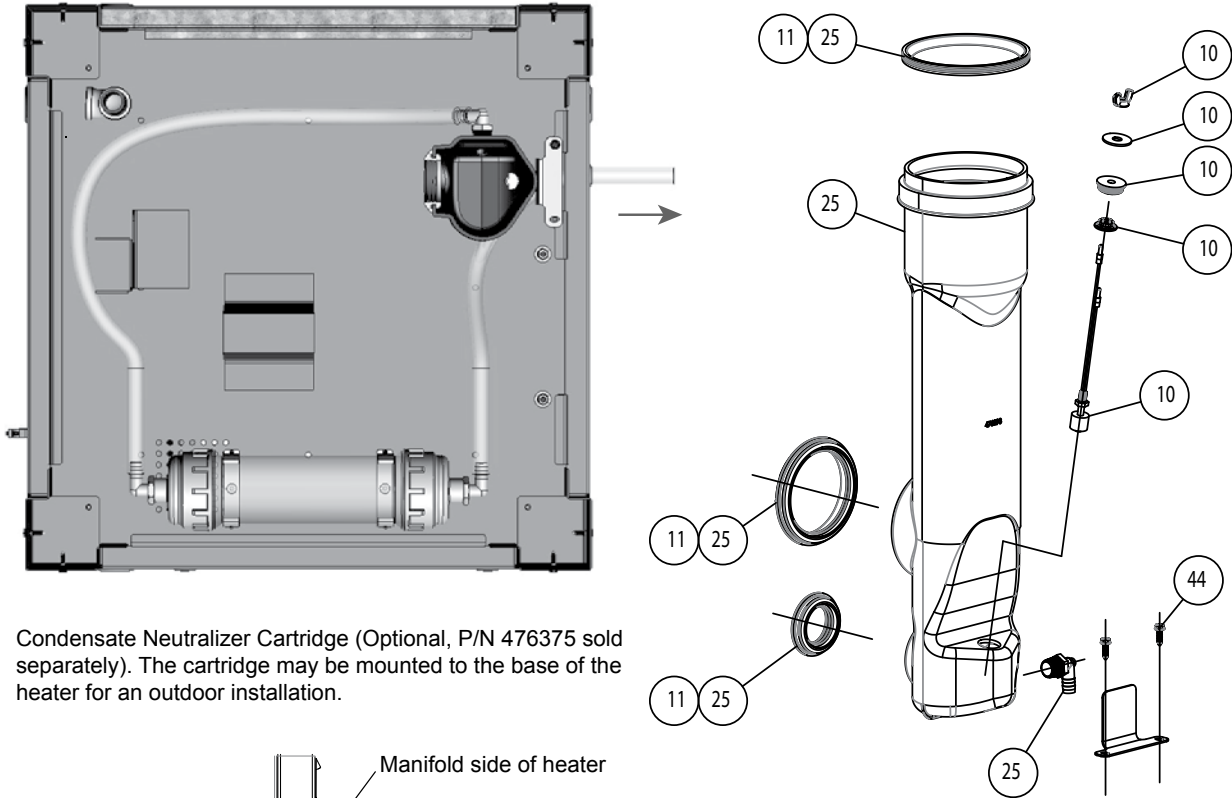
CALIFORNIA PROPOSITION 65 WARNING  
 ⚠️ WARNING: Cancer and Reproductive Harm.  
 ⚠️ AVERTISSEMENT: Peut Causer le Cancer et des Dommages au Système Reproducteur.  
 ⚠️ ADVERTENCIA: Cáncer y Daño Reproductivo.  
[www.p65warnings.ca.gov](http://www.p65warnings.ca.gov) P820174-1



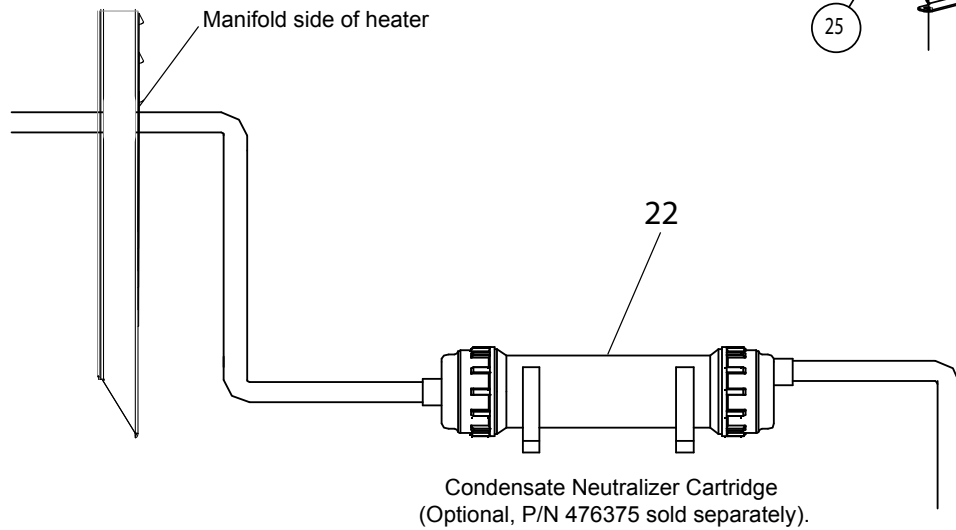
Manifold Assembly

# ETi® 250 (CONT'D)

## HIGH EFFICIENCY POOL AND SPA HEATER REPLACEMENT PARTS



Condensate Neutralizer Cartridge (Optional, P/N 476375 sold separately). The cartridge may be mounted to the base of the heater for an outdoor installation.

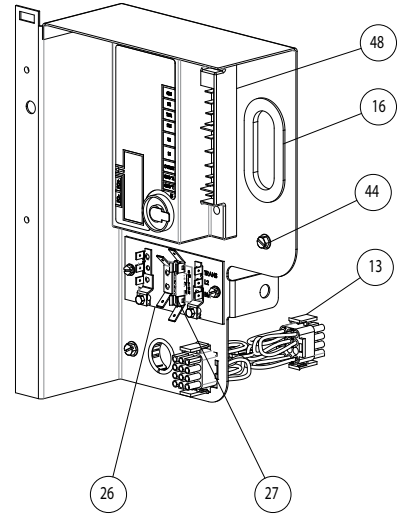
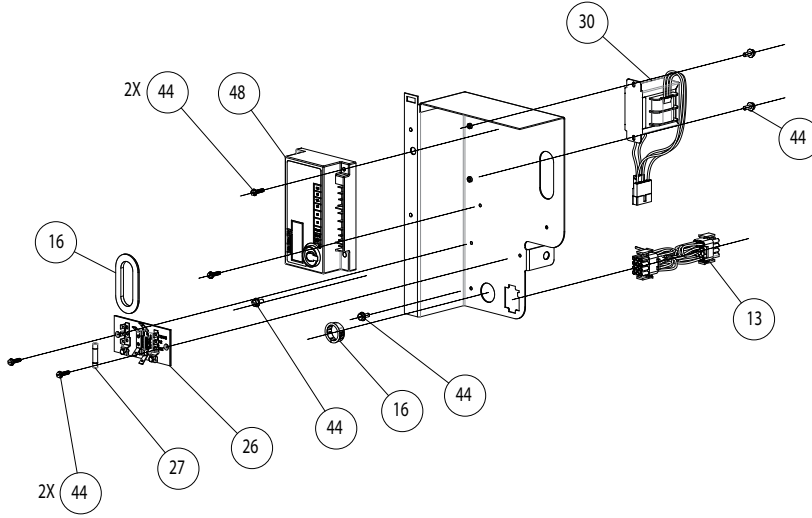


Condensate Neutralizer Cartridge Assembly and Exhaust Assembly

CALIFORNIA PROPOSITION 65 WARNING  
 ⚠️ **WARNING:** Cancer and Reproductive Harm.  
 ⚠️ **AVERTISSEMENT:** Peut Causer le Cancer et des Dommages au Système Reproducteur.  
 ⚠️ **ADVERTENCIA:** Cáncer y Daño Reproductivo.  
[www.p65warnings.ca.gov](http://www.p65warnings.ca.gov)

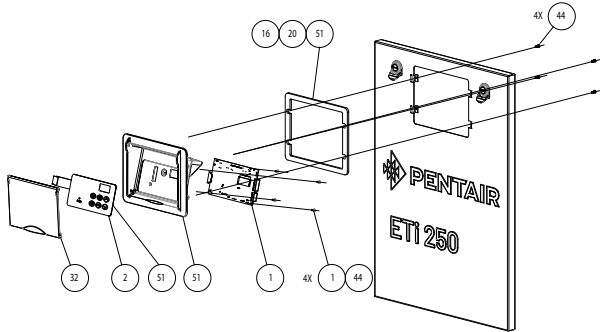
# ETi® 250 (CONT'D)

## HIGH EFFICIENCY POOL AND SPA HEATER REPLACEMENT PARTS

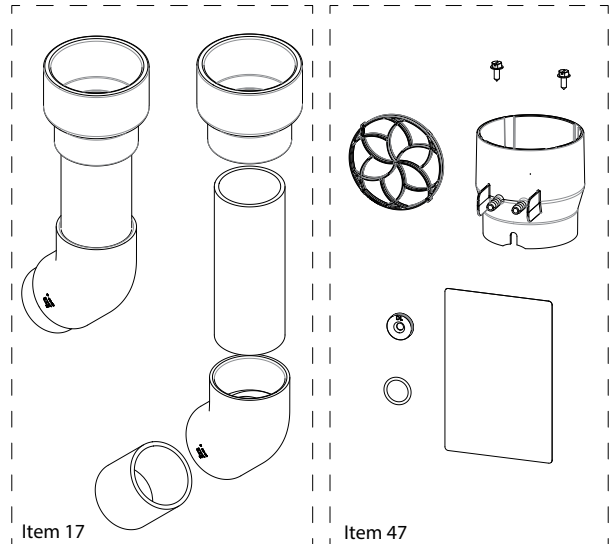


Electrical Panel

CALIFORNIA PROPOSITION 65 WARNING  
 ⚠️ **WARNING:** Cancer and Reproductive Harm.  
 ⚠️ **AVERTISSEMENT:** Peut Causer le Cancer et des Dommages au Système Reproducteur.  
 ⚠️ **ADVERTENCIA:** Cáncer y Daño Reproductivo.  
[www.p65warnings.ca.gov](http://www.p65warnings.ca.gov) PH020174.1



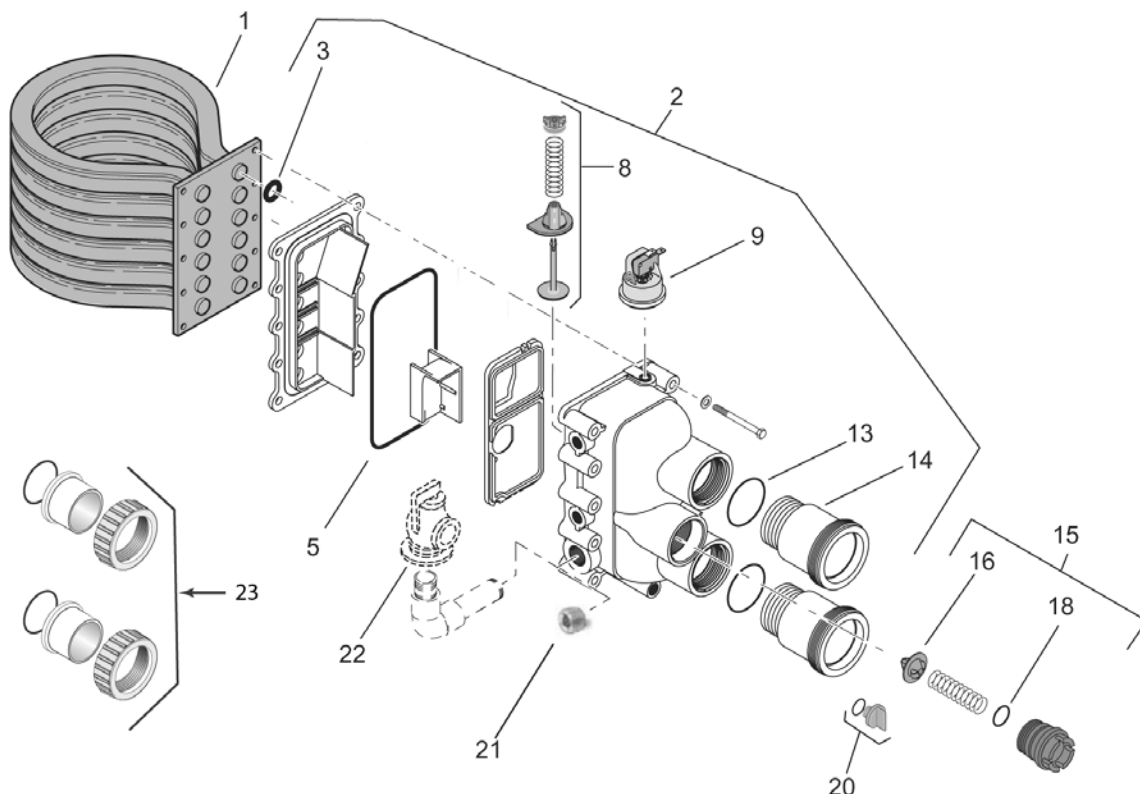
Control Panel Circuit Board Assembly and Side Panel



Intake Kit (#17) & Blower Gasket (#47)

# MASTERTEMP® HEATER

## WATER SYSTEM REPLACEMENT PARTS



Item	Part No.	Description	US List	Can. List
<b>WATER SYSTEM</b>				
1	474058	Tube Sheet Coil Assembly Kit (Includes Item No. 3) Models 175NA, 175LP, 200NA, 200LP <sup>1</sup>	1415.98	1701.44
1	474062	Tube Sheet Coil Assembly Kit (Includes Item No. 3) Model 200HDNA, 200HD-LP	2744.62	3297.94
1	474059	Tube Sheet Coil Assembly Kit (Includes Item No. 3) Models 250NA, 250LP <sup>1</sup>	1742.77	2094.11
1	474060	Tube Sheet Coil Assembly Kit (Includes Item No. 3) Models 300NA, 300LP <sup>1</sup>	1960.61	2355.87
1	474061	Tube Sheet Coil Assembly Kit (Includes Item No. 3) Models 400NA, 400LP <sup>1</sup>	2341.80	2813.91
1	474065	Tube Sheet Coil Assembly Kit (Includes Item No. 3) Models 400HDNA, 400HD-LP <sup>1</sup>	3539.95	4253.60
1	474063	Tube Sheet Coil Assembly Kit - HD Series - (Includes Item No. 3) Models 250HDNA, 250HD-LP <sup>1</sup>	2886.38	3468.27

<sup>1</sup> For Heaters Manufactured after 1/12/09 (New Tub Design).

Note: Kits include: O-Rings, Insulation, Igniter and Blower Gaskets.

CALIFORNIA PROPOSITION 65 WARNING

⚠ **WARNING:** Cancer and Reproductive Harm.  
 ⚠ **AVERTISSEMENT:** Peut Causer le Cancer et des Dommages au Système Reproducteur.  
 ⚠ **ADVERTENCIA:** Cáncer y Daño Reproductivo.

[www.p65warnings.ca.gov](http://www.p65warnings.ca.gov)

# MASTERTEMP® HEATER (CONT'D)

## WATER SYSTEM REPLACEMENT PARTS

Item	Part No.	Description	US List	Can List
<b>WATER SYSTEM</b>				
2	77707-0014	Manifold Kit (Includes Item Nos. 3–14, 21, and Item Nos. 5–7 in “Electrical System” Models 175NA, 175LP, 200NA, 200LP)	1000.53	1202.24
2	460748	Manifold Kit (Includes Item Nos. 3–14, 21, and Item Nos. 5–7 in “Electrical System” Models 250NA, 250LP)	930.70	1118.33
2	77707-0015	Manifold Kit (Includes Item Nos. 3–14, 21, and Item Nos. 5–7 in “Electrical System” Models 300NA, 300LP)	1000.53	1202.24
2	77707-0016	Manifold Kit (Includes Item Nos. 3–14, 21, and Item Nos. 5–7 in “Electrical System” Models 400NA, 400LP)	1000.53	1202.24
2	474200	Basic Manifold Kit (Includes Item Nos. 3, 5, 10–14)	319.23	383.59
3	77707-0117	Coil/Tubesheet Sealing O-Ring Kit - Models 175NA, 175LP, 200NA, 200LP (6)	84.00	100.93
3	460749	Coil/Tubesheet Sealing O-Ring Kit - Models 250NA, 250LP (8)	84.00	100.93
3	77707-0118	Coil/Tubesheet Sealing O-Ring Kit - Models 300NA, 300LP (10)	84.00	100.93
3	77707-0119	Coil/Tubesheet Sealing O-Ring Kit - Models 400NA, 400LP (12)	84.00	100.93
8	77707-0001	Manifold Bypass Valve Kit	89.02	106.97
9	42001-0060S	Water Pressure Switch	128.49	154.39
9	473716Z	Water Pressure Switch (Old Header Design ASME) <sup>4</sup>	CALL	CALL
13	U9-226Z	O-Ring	4.91	5.90
14	77707-0017	Connector Tube Kit (Includes 1 Connector Tube and 1 O-Ring)	85.38	102.59
15	77707-0010	Thermal Regulator Kit (Incl. Item Nos. 16, 17, 18, 19 and Spring Clip)	162.62	195.40
16	38000-0007S	Thermal Regulator (Includes Spring Clip)	112.03	134.62
18	35505-1313	Thermal Regulator Cap O-Ring	7.17	8.62
20	U178-920PZ	Drain Plug	7.80	9.37
21	U78-60ZPS	Zinc Plug 428-60 PS	9.89	11.88
22	473715Z	Pressure Relief Valve	245.51	295.00
23	PKG 188Z	2 in. Union Adapter Package (Includes 2)	46.96	56.43
	77707-0120	O-Ring Kit (Incl. Item Nos. 3, 5)	71.57	86.00
	461102	Pro Service Package - Water Parts (Includes items in a reusable hard case, 8, 9, 15, not shown, Thermistor (2), High Limit Switch (2), AGS Switch (2))	612.40	735.86
	462051	Accessories and Documents Bundle	CALL	CALL

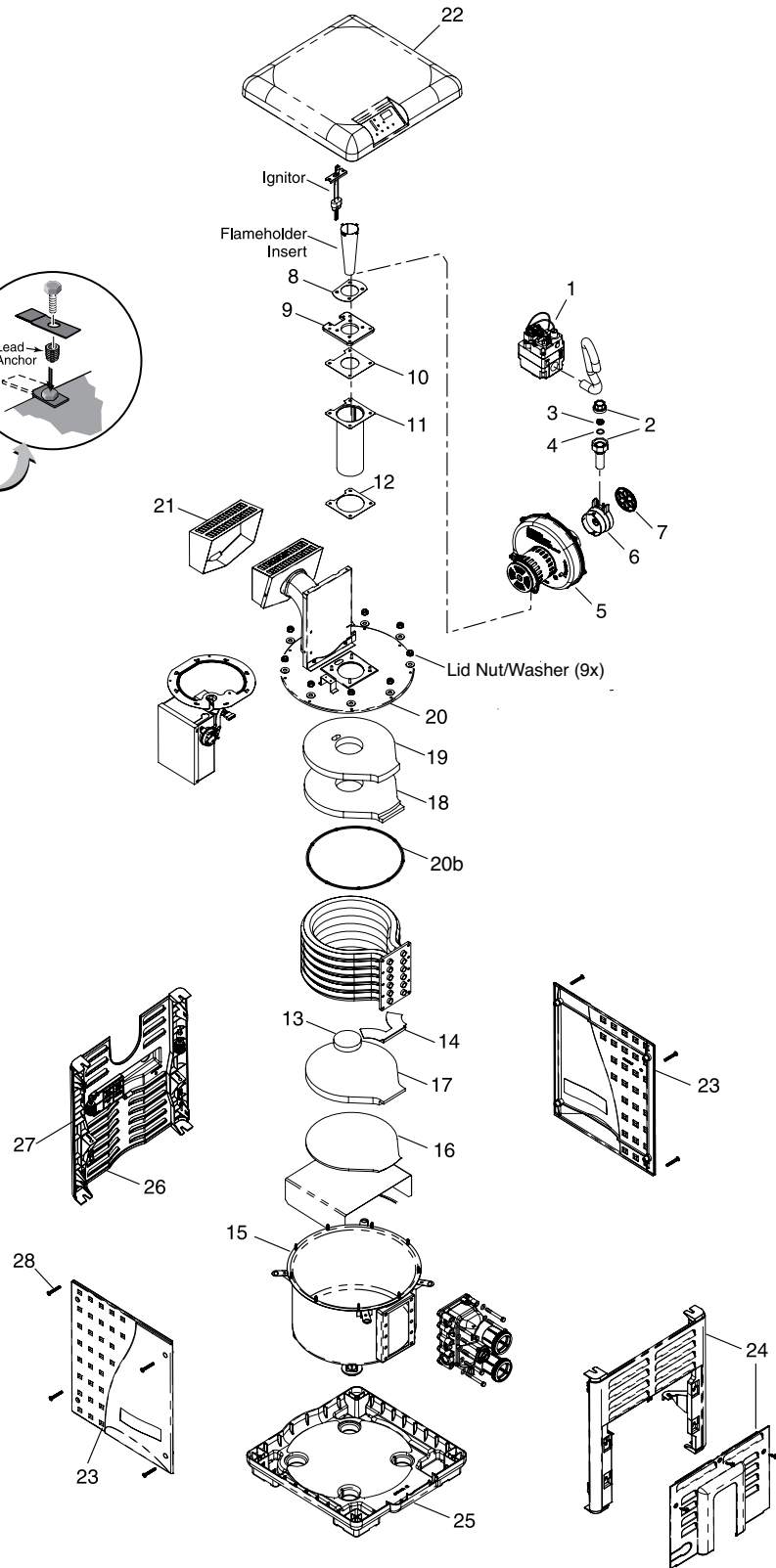
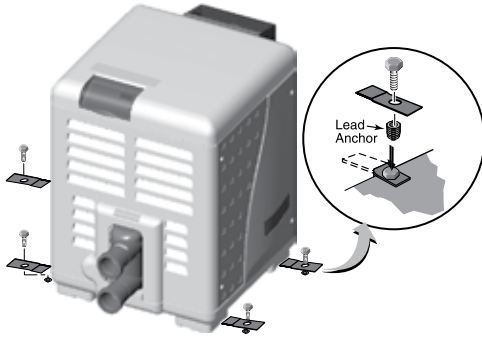
ASME Heater Manufacture Date	Part No.	Description	US List	Can. List
<b>ASME KITS</b>				
11/16/13 to Present (New 9-Bolt Tub Design) (Includes Item No.s 13-19, 20b, Lid, Nut/Washer [9X] and Silicone Tube)	475669	Heat Exchanger Kit - 200 ASME	4085.89	4909.61
	474955	Heat Exchanger Kit - 250 ASME	4356.87	5235.21
	474954	Heat Exchanger Kit - 250 ASME HD	4672.61	5614.61
	474956	Heat Exchanger Kit - 400 ASME	4846.97	5824.12
	474953	Heat Exchanger Kit - 400 ASME HD	4913.59	5904.17
Prior to 10/2012 (Old Header Design)	460923	ASME Bypass Valve Kit (Old Header Design)	501.55	602.66
	461007	ASME Bypass Valve Tool Kit (Old Header Design)	298.31	358.45
	460924	Thermal Regulator Kit (includes Spring Clip, ASME, Old Header Design)	245.10	294.51
10/2012 to Present (New Header Design)	472648Z	Bypass Access Plug (ASME)	576.94	693.25
	77707-0001	Manifold Bypass Valve Kit ASME	89.02	106.97
	460925	ASME Pressure Relief Valve Kit	280.09	336.56



# MASTERTEMP® HEATER (CONT'D)

## BURNER SYSTEM REPLACEMENT PARTS

For Heater mounting bolts and clamps, purchase separately Bolt Down Bracket Kit, Part No. 460738.



CALIFORNIA PROPOSITION 65 WARNING  
 ⚠️ **WARNING:** Cancer and Reproductive Harm.  
 ⚠️ **AVERTISSEMENT:** Peut Causer le Cancer et des Dommages au Système Reproducteur.  
 ⚠️ **ADVERTENCIA:** Cáncer y Daño Reproductivo.  
 www.p65warnings.ca.gov. P98-2017-14

## MASTERTEMP® HEATER (CONT'D)

## BURNER SYSTEM REPLACEMENT PARTS

Item	Part No.	Description	US List	Can. List	Qty.
<b>BURNER SYSTEM</b>					
1	42001-0051S	Combination Gas Control Valve Kit	682.60	820.21	1
2	38404-4097S	3/4 in. Union	55.99	67.28	2
5	77707-0250	Air Blower Kit - Natural Gas Units (Models 175NA)	1290.62	1550.81	1
5	77707-0251	Air Blower Kit - Natural Gas Units (Models 200NA)	1290.65	1550.85	1
5	460743	Air Blower Kit - Natural Gas Units (Models 250NA)	1200.65	1442.70	1
5	460757	Air Blower Kit - Natural Gas Units (Models 300NA)	1200.62	1442.66	1
5	77707-0253	Air Blower Kit - Natural Gas Units (Models 400NA)	1290.65	1550.85	1
5	77707-0254	Air Blower Kit - Propane Units (Models 175LP, 200LP)	1290.65	1550.85	1
5	460744	Air Blower Kit - Propane Units (Models 250LP)	1200.62	1442.66	1
5	460758	Air Blower Kit - Propane Units (Models 300LP)	1200.62	1442.66	1
5	77707-0256	Air Blower Kit - Propane Units (Models 400LP)	1290.65	1550.85	1
6	See Item #7	Item #6 included in Item #7	CALL	CALL	
7	460798	Air Orifice Kit - Model 175 (Includes Item Nos. 6 and 7)	67.20	80.75	1
7	77707-0111	Air Orifice Kit - Model 200 (Includes Item Nos. 6 and 7)	102.79	123.51	1
7	460745	Air Orifice Kit - Model 250 (Includes Item Nos. 6 and 7)	95.57	114.84	1
7	460759	Air Orifice Kit - Model 300 (Includes Item Nos. 6 and 7)	95.57	114.84	1
7	77707-0113	Air Orifice Kit - Model 400 (Includes Item Nos. 6 and 7)	102.79	123.51	1
15	474957	One Piece Metal Chamber/Combustion Chamber Assembly <sup>1</sup>	662.37	795.90	1
20	474958	One Piece Metal Elbow/Combustion Chamber Cover Assembly <sup>1</sup>	754.10	906.13	1
20b	474952	Tub O-Ring Kit <sup>1</sup>	70.94	85.24	1
21	42002-0005S	Metal Vent Cover	205.45	246.87	1
22	42002-0034Z	Heater Top	548.07	658.56	1
23	42002-0039Z	Side Panel (Service Panel) with 4 clips and 4 screws	536.07	644.14	1
24	42002-0033Z	Side Panel (Manifold)	536.05	644.12	1
25	42002-0031Z	Heater Bottom	252.05	302.86	1
26	42002-0032Z	Side Panel (Flue Stack)	405.14	486.82	1
27	42002-0041Z	J Box Cover	28.00	33.64	1
28	474292	11 ea screws, 11 ea clips and 8 wing-nuts	34.99	42.04	
<b>NOT SHOWN</b>					
	461002	Gas Orifice Kit - NG, Model 175 (Incl. Item Nos. 3 and 4)*	85.45	102.68	1
	77707-0431	Gas Orifice Kit - NG, Model 200 (Incl. Item Nos. 3 and 4)*	85.45	102.68	1
	460739	Gas Orifice Kit - NG, Model 250 (Incl. Item Nos. 3 and 4)*	79.49	95.52	1
	460753	Gas Orifice Kit - NG, Model 300 (Incl. Item Nos. 3 and 4)	79.49	95.52	1
	77707-0411	Gas Orifice Kit - NG, Model 400 (Incl. Item Nos. 3 and 4)*	85.45	102.68	1
	460797	Gas Orifice Kit - Propane, Model 175 (Incl. Item Nos. 3 and 4)*	127.77	153.53	1
	77707-0461	Gas Orifice Kit - Propane, Model 200 (Incl. Item Nos. 3 and 4)*	85.45	102.68	1
	460740	Gas Orifice Kit - Propane, Model 250 (Incl. Item Nos. 3 and 4)*	79.49	95.52	1
	460754	Gas Orifice Kit - Propane, Model 300 (Incl. Item Nos. 3 and 4)*	79.49	95.52	1

Item	Part No.	Description	US List	Can. List	Qty.
	77707-0441	Gas Orifice Kit - Propane, Model 400 (Incl. Item Nos. 3 and 4)*	85.45	102.68	1
	460794	NG to Propane Conversion Kit Model 175 (Incl. Item Nos. 3 and 4)*	118.18	142.01	1
	77707-1461	NG to Propane Conversion Kit Model 200 (Incl. Item Nos. 3 and 4)*	88.35	106.16	1
	460741	NG to Propane Conversion Kit Model 250 (Incl. Item Nos. 3 and 4)*	82.17	98.74	1
	460755	NG to Propane Conversion Kit Model 300 (Incl. Item Nos. 3 and 4)*	82.17	98.74	1
	77707-1441	NG to Propane Conversion Kit Model 400 (Incl. Item Nos. 3 and 4)*	88.35	106.16	1
	460795	Propane to NG Conversion Kit Model 175 (Incl. Key Nos. 3 and 4)*	118.18	142.01	1
	77707-1431	Propane to NG Conversion Kit Model 200 (Incl. Key Nos. 3 and 4)*	88.35	106.16	1
	460742	Propane to NG Conversion Kit Model 250 (Incl. Key Nos. 3 and 4)*	82.17	98.74	1
	460756	Propane to NG Conversion Kit Model 300 (Incl. Key Nos. 3 and 4)*	82.17	98.74	1
	77707-1411	Propane to NG Conversion Kit Model 400 (Incl. Key Nos. 3 and 4)*	88.35	106.16	1
	77707-0011	Blower/Adapter Plate Gasket Kit (Includes Item Nos. 8, 9, 10, 12)	101.23	121.64	1
	77707-0202	Flameholder Kit - Model 175, Model 200 (Includes Item Nos. 10, 11, 12 & 13)	240.55	289.04	1
	460746	Flameholder Kit - Model 250 (Includes Item Nos. 10, 11, 12 & 13 and Flameholder insert)	223.75	268.86	1
	77707-0203	Flameholder Kit - Model 300 (Includes Item Nos. 10, 11, 12, 13 & Flameholder Insert)	270.61	325.16	1
	77707-0204	Flameholder Kit - Model 400 (Includes Item Nos. 10, 11, 12, 13 & Flameholder Insert)	315.70	379.35	1
	77707-0008	Insulation Kit (Includes Item Nos. 13, 14, 16, 17, 18, 19)	245.10	294.51	1
	42001-0074S	Lower Enclosure Insulation	86.08	103.43	1
	42001-0214S	Metal Vent Cover Assembly	CALL	CALL	1
	461063	Kit Gas Conversion NA to LP - MT125	94.58	113.65	1
	461100	Pro Service Package - Master Commonly replaced items in a reusable case	1760.66	2115.61	
	475265	Rodent Resistant Air Orifice Protection Cap	113.08	135.88	

\* Not included with heater. Order separately.

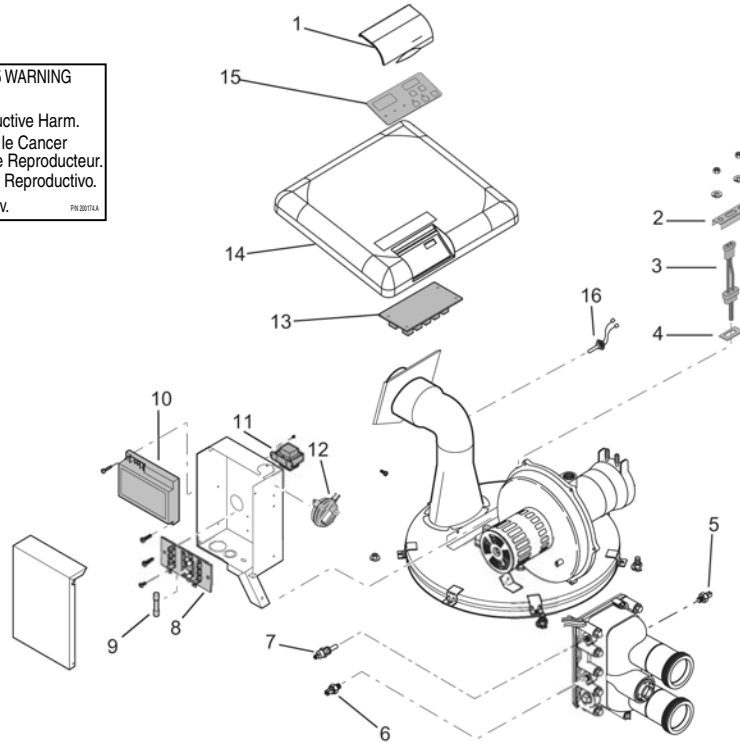
<sup>1</sup> For Heaters Manufactured After 11/16/13 (New 9-bolt lid tub design).

Note: Kits include Clamp Assembly, O-Ring, and Silicone Tube.

# MASTERTEMP® HEATER (CONT'D)

## ELECTRICAL SYSTEM REPLACEMENT PARTS

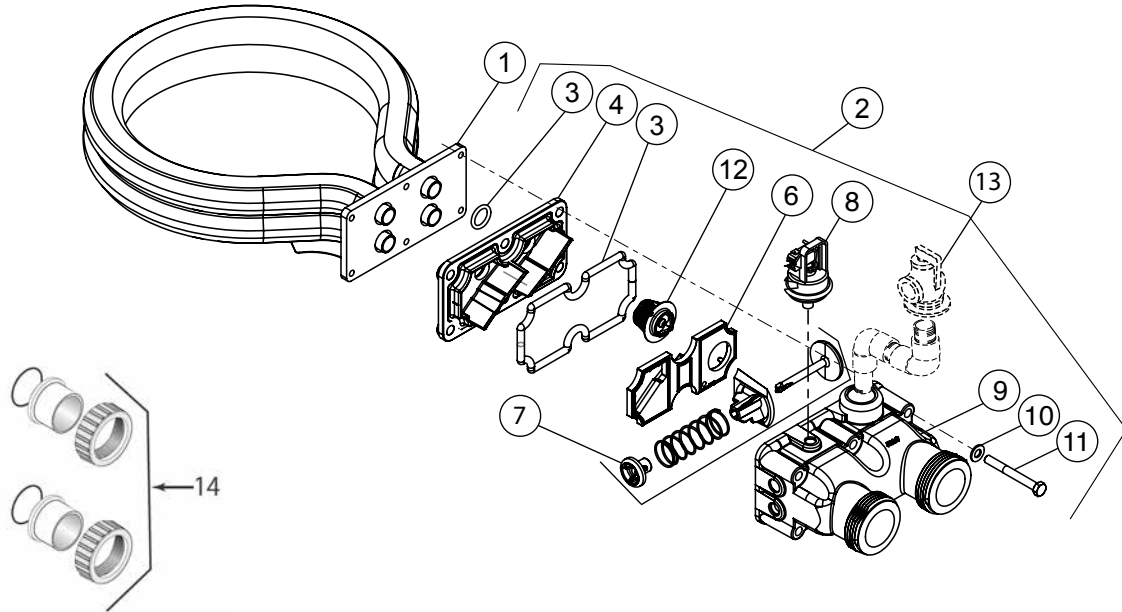
CALIFORNIA PROPOSITION 65 WARNING  
 ⚠️ **WARNING:** Cancer and Reproductive Harm.  
 ⚠️ **AVERTISSEMENT:** Peut Causer le Cancer et des Dommages au Système Reproducteur.  
 ⚠️ **ADVERTENCIA:** Cáncer y Daño Reproductivo.  
[www.p65warnings.ca.gov](http://www.p65warnings.ca.gov)      PH 201714



Item	Part No.	Description	US List	Can. List
<b>ELECTRICAL SYSTEM</b>				
1	42002-0035Z	Heater Display Cover	84.00	100.93
2	42001-0030S	Igniter Bracket	84.00	100.93
3	77707-0054	Igniter/Igniter Gasket Kit, Incl. Item Nos. 3 and 4)	130.17	156.41
4	42001-0066S	Igniter Gasket	84.00	100.93
5	42002-0025S	Automatic Gas Shutoff Switch (AGS)	80.06	96.20
6	42001-0063S	High Limit Switch	97.35	116.98
7	42001-0053S	Thermistor	124.34	149.41
8	42001-0056S	Terminal Board	84.00	100.93
9	32850-0099	Fireman's Switch Fuse (1.25A, 1-1/4 in.)	11.74	14.11
10	476223	Ignition Control Module	522.00	627.24
11	42001-0107S	Transformer, 115/230V	106.18	127.59
12	42001-0061S	Air Flow Switch	215.29	258.69
13	461105	Control Board Kit (NA, LP Series)	988.32	1187.57
14	42002-0034Z	Heater, Top	548.07	658.56
15	472610Z	Five Button Membrane Keypad - for heaters made before 5/5/2021	215.69	259.17
15	461106	Six Button Membrane Keypad - For heaters made after 5/6/2021	215.67	259.15
16	42002-0024S	Stack Flue Sensor	187.09	224.81
<b>NOT SHOWN</b>				
	461107	Heater Wiring Harness -115/230V	517.98	622.40
	42001-0105S	120/240 Volt Plug Kit	84.00	100.93
	461101	Pro Service Package - Electrical System Parts (Includes items in a reusable hardcase, #3, #5 qty(2), #6 qty(2), #7 qty(2), #9 qty(3), #12, #16, not shown water pressure switch)	765.51	919.84

# MASTERTEMP® 125 HEATER

## WATER SYSTEM REPLACEMENT PARTS



Item	Part No.	Description	US List	Can. List
<b>WATER SYSTEM</b>				
1	474971	Tube Sheet Coil Assembly Kit - Includes Item #3. (NA, LP Series)	1414.76	1699.98
2	474972	Manifold Kit (Includes Item #3, #4, #5, #6, #7, #9, #10, & #11; Item #8 and #13 not included)	473.11	568.49
3	474973	Coil/Tubesheet Sealing O-Ring Kit	66.18	79.52
4	474405	Manifold Bottom Plate	CALL	CALL
6	474407	Manifold Baffle Plate	CALL	CALL
7	476198	Manifold Bypass Valve	51.05	61.34
8	42001-0060S	Water Pressure Switch	128.49	154.39
9		Manifold *		
10		5/16" Washer, S.S. *		
11		5/16 x 18 x 2-3/4" Hex Cap Screw *		
12	474989	Thermal Regulator	94.58	113.65
13	473715Z	Pressure Relief Valve (Recommended-Purchased Separately)	245.51	295.00
14	474974	Union 1-1/2" Kit	108.80	130.73

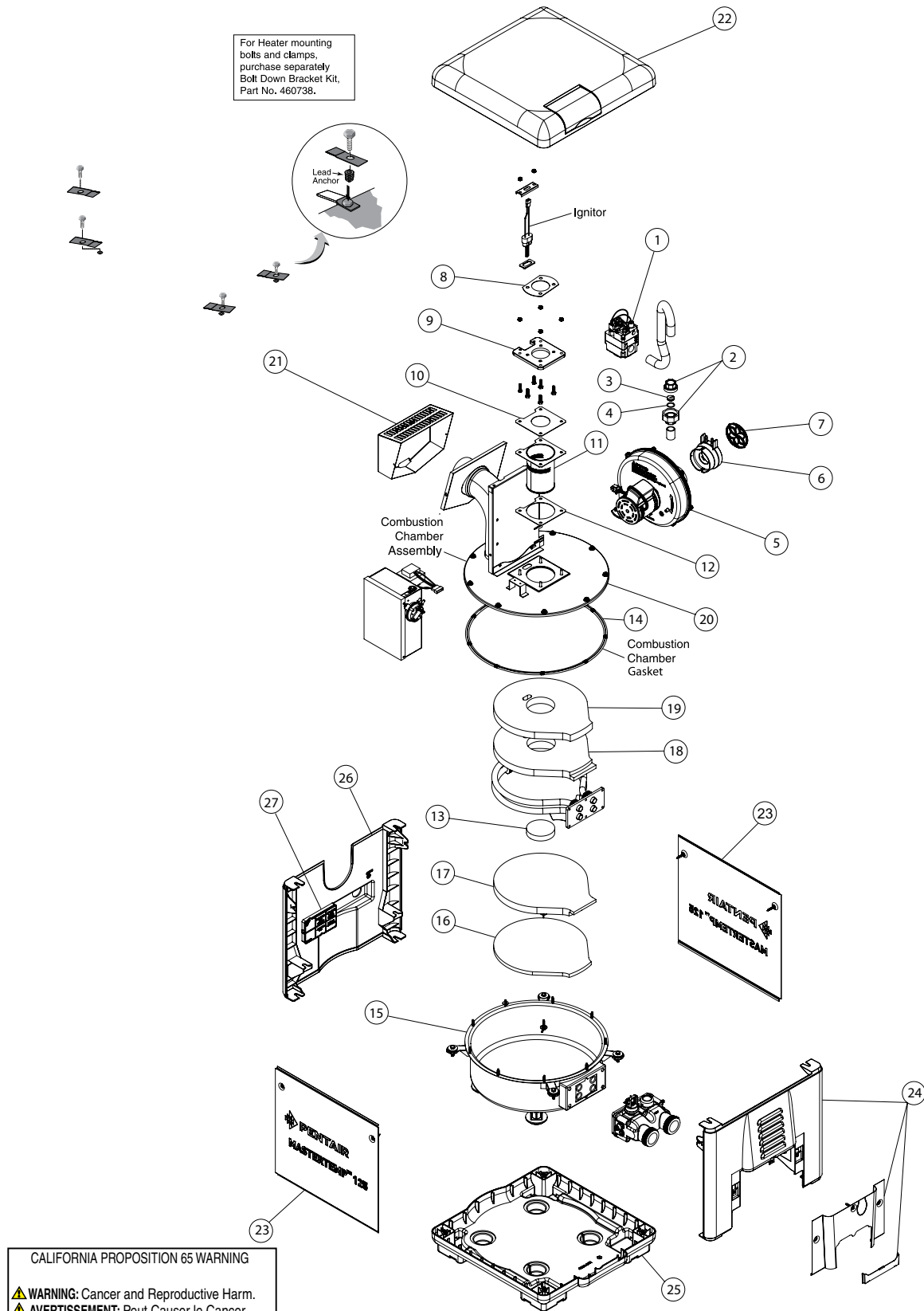
Note: Kits include: O-Rings, Insulation, Igniter and Blower Gaskets.

\* Not available separately. See item #2.

CALIFORNIA PROPOSITION 65 WARNING  
 ⚠️ **WARNING:** Cancer and Reproductive Harm.  
 ⚠️ **AVERTISSEMENT:** Peut Causer le Cancer et des Dommages au Système Reproducteur.  
 ⚠️ **ADVERTENCIA:** Cáncer y Daño Reproductivo.  
[www.p65warnings.ca.gov](http://www.p65warnings.ca.gov) P65.0011A

# MASTERTEMP® 125 HEATER (CONT'D)

## BURNER SYSTEM REPLACEMENT PARTS



CALIFORNIA PROPOSITION 65 WARNING

⚠ **WARNING:** Cancer and Reproductive Harm.  
 ⚠ **AVERTISSEMENT:** Peut Causer le Cancer et des Dommages au Système Reproducteur.  
 ⚠ **ADVERTENCIA:** Cáncer y Daño Reproductivo.  
[www.p65warnings.ca.gov](http://www.p65warnings.ca.gov)

Product on page 106–107.

# MASTERTEMP® 125 HEATER (CONT'D)

## BURNER SYSTEM REPLACEMENT PARTS




Item	Part No.	Description	US List	Can. List	Qty.
<b>BURNER SYSTEM</b>					
1	42001-0051S	Combination Gas Control Valve Kit	682.60	820.21	1
2	38404-4097S	3/4 in. Union	55.99	67.28	2
5	474978	Air Blower Kit – Natural Gas	1182.91	1421.38	1
5	474977	Air Blower Kit - Propane	1182.91	1421.38	1
6	474979	Air Orifice Kit (Incl. Item Nos. 6, 7)	67.23	80.78	1
14	474952	Combustion Chamber Gasket Kit	70.94	85.24	1
15	474990	One Piece Metal Chamber/Combustion Chamber Assembly	615.14	739.15	1
20	474958	One Piece Metal Elbow/Combustion Chamber Cover Assembly, 9-Bolt	754.10	906.13	1
21	42002-0005S	Metal Vent Cover	205.45	246.87	1
22	42002-0034Z	Heater Top	548.07	658.56	1
23	474991	Side Panel (Service Panel)	189.22	227.37	1
24	474992	Side Panel (Manifold)	269.67	324.04	1
25	42002-0031Z	Heater Bottom	252.05	302.86	1
26	474993	Side Panel (Flue Stack)	222.32	267.14	1
27	42002-0041Z	J Box Cover	28.00	33.64	1
28	474292	11 ea clips, 11 ea screws, 8 wing nuts	34.99	42.04	1

Item	Part No.	Description	US List	Can. List	Qty.
<b>NOT SHOWN</b>					
	474981	Gas Orifice Kit - NG (Incl. Item Nos. 3 and 4) **	70.94	85.24	1
	474980	Gas Orifice Kit - Propane (Incl. Item Nos. 3 and 4) **	70.94	85.24	1
	461063	NG to Propane Conversion Kit (Incl. Item Nos. 3 and 4) **	94.58	113.65	1
	461062	Gas Orifice Kit - Propane to NG Conversion Kit (Incl. Item Nos. 3 and 4) **	CALL	CALL	1
	77707-0011	Blower/Adapter Plate Gasket Kit (Incl. Item Nos. 8, 9, 10, 12)	101.23	121.64	1
	474994	Flameholder Kit (Incl. Item Nos. 10, 11, 12, 13)	236.54	284.23	1
	77707-0008	Insulation Kit (Incl. Item Nos. 13, 14, 16, 17, 18, 19)	245.10	294.51	1
	474845	Direct Air Intake Duct Kit (MasterTemp 125)	421.56	506.55	1

\* Not available separately.

\*\* Not included with heater. Order separately.

CALIFORNIA PROPOSITION 65 WARNING

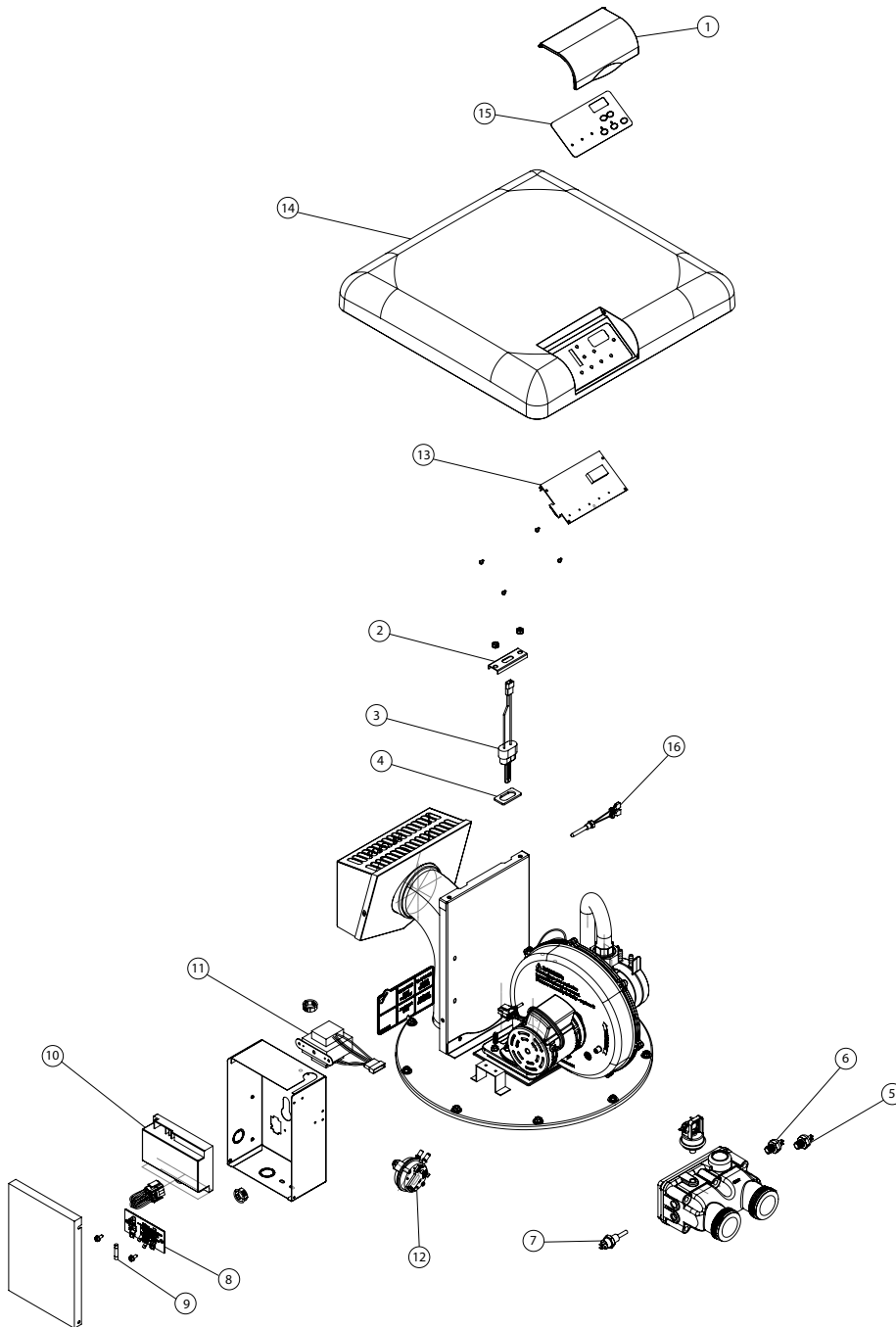
 **WARNING:** Cancer and Reproductive Harm.  
 **AVERTISSEMENT:** Peut Causer le Cancer et des Dommages au Système Reproducteur.  
 **ADVERTENCIA:** Cáncer y Daño Reproductivo.

www.p65warnings.ca.gov.

PH 201714

# MASTERTEMP® 125 HEATER (CONT'D)

## ELECTRICAL SYSTEM REPLACEMENT PARTS



Product on page 106–107.




CALIFORNIA PROPOSITION 65 WARNING  
⚠ WARNING: Cancer and Reproductive Harm.  
⚠ AVERTISSEMENT: Peut Causer le Cancer et des Dommages au Système Reproducteur.  
⚠ ADVERTENCIA: Cáncer y Daño Reproductivo.  
www.p65warnings.ca.gov. PIR.001714A

**MASTERTEMP® 125 HEATER (CONT'D)**

## ELECTRICAL SYSTEM REPLACEMENT PARTS

Item	Part No.	Description	US List	Can. List
<b>ELECTRICAL SYSTEM</b>				
1	42002-0035Z	Heater Display Cover	84.00	100.93
2	42001-0030S	Igniter Bracket	84.00	100.93
3	77707-0054	Igniter/Igniter Gasket Kit, Incl. Item Nos. 3 and 4)	130.17	156.41
4	42001-0066S	Igniter Gasket	84.00	100.93
5	42002-0025S	Automatic Gas Shutoff Switch (AGS)	80.06	96.20
6	42001-0063S	High Limit Switch	97.35	116.98
7	42001-0053S	Thermistor	124.34	149.41
8	42001-0056S	Terminal Board	84.00	100.93
9	32850-0099	Fireman's Switch Fuse (1.25A, 1-1/4 in.)	11.74	14.11
10	476223	Ignition Control Module	522.00	627.24
11	42001-0107S	Transformer, 115/230V	106.18	127.59
12	42001-0061S	Air Flow Switch	215.29	258.69
13	461105	Control Board Kit (NA, LP Series)	988.32	1187.57
14	42002-0034Z	Heater, Top	548.07	658.56
15	472610Z	Five Button Membrane Keypad - for heaters made before 5/5/2021	215.69	259.17
15	461106	Six Button Membrane Keypad - For heaters made after 5/6/2021	215.67	259.15
16	42002-0024S	Stack Flue Sensor	187.09	224.81
<b>NOT SHOWN</b>				
	461107	Heater Wiring Harness -115/230V	517.98	622.40
	42001-0105S	120/240 Volt Plug Kit	84.00	100.93

## CALIFORNIA PROPOSITION 65 WARNING

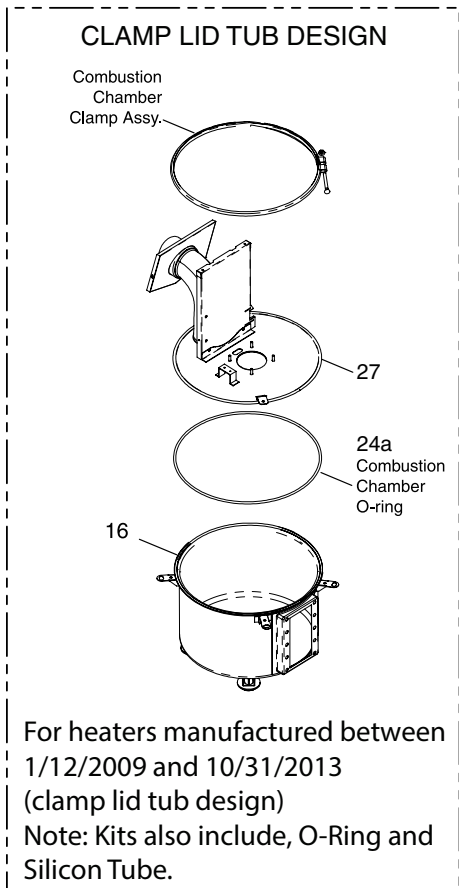
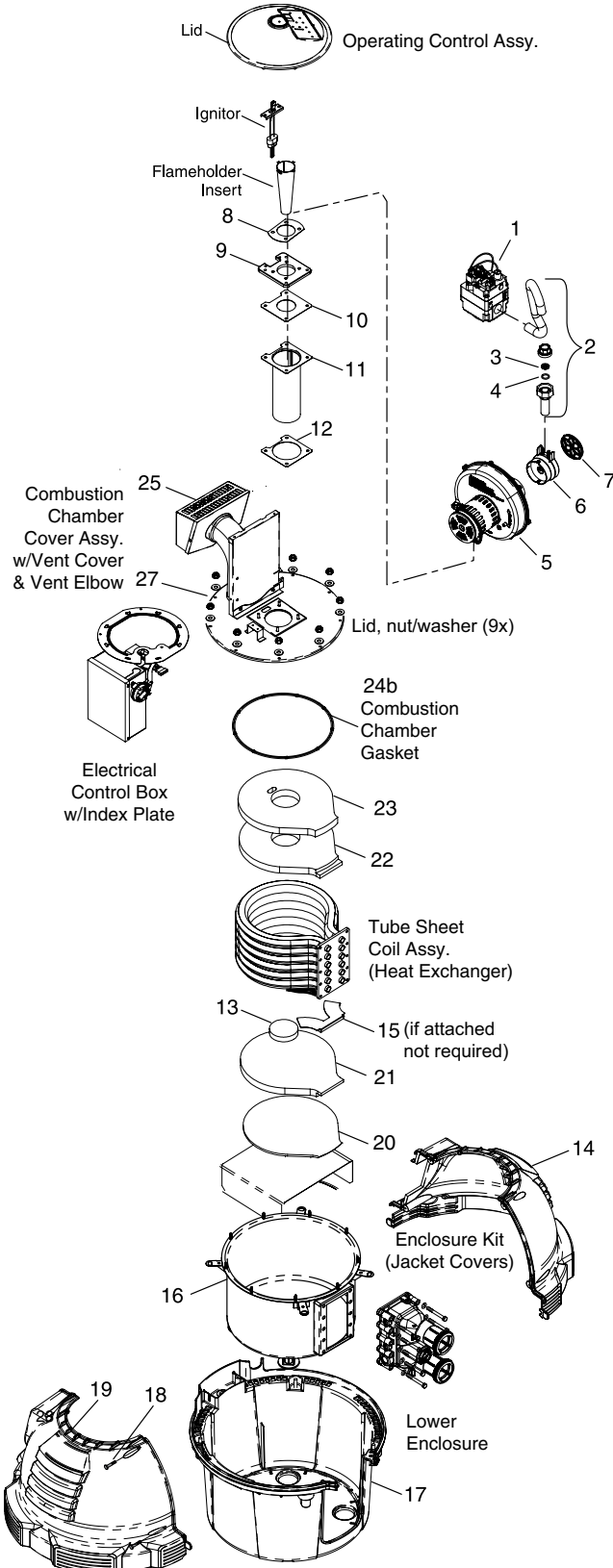
 **WARNING:** Cancer and Reproductive Harm.  
 **AVERTISSEMENT:** Peut Causer le Cancer et des Dommages au Système Reproducteur.  
 **ADVERTENCIA:** Cáncer y Daño Reproductivo.  
[www.p65warnings.ca.gov](http://www.p65warnings.ca.gov)

Product on page 106–107.



# MAX-E-THERM® HEATER

## BURNER SYSTEM REPLACEMENT PARTS



CALIFORNIA PROPOSITION 65 WARNING  
 ⚠️ **WARNING:** Cancer and Reproductive Harm.  
 ⚠️ **AVERTISSEMENT:** Peut Causer le Cancer et des Dommages au Système Reproducteur.  
 ⚠️ **ADVERTENCIA:** Cáncer y Daño Reproductivo.  
 www.p65warnings.ca.gov. PK28171A

Product on page 108–109.

## MAX-E-THERM® HEATER (CONT'D)

## BURNER SYSTEM REPLACEMENT PARTS



Item	Part No.	Description	US List	Can. List
<b>MAX-E-THERM BURNER SYSTEM</b>				
1	42001-0051S	Combination Gas Control Valve Kit	682.60	820.21
2	38404-4097S	3/4 in. Union	55.99	67.28
5	77707-0251	Air Blower Kit, Natural - 200NA Model (Single Volt Blower Adapter Included)	1290.65	1550.85
5	77707-0252	Air Blower Kit, Natural - 333NA Model (Single Volt Blower Adapter Included)	1290.65	1550.85
5	77707-0253	Air Blower Kit, Natural - 400NA Model (Single Volt Blower Adapter Included)	1290.65	1550.85
5	77707-0254	Air Blower Kit, Propane - 200LP Model (Single Volt Blower Adapter Included)	1290.65	1550.85
5	77707-0255	Air Blower Kit, Propane - 333LP Model (Single Volt Blower Adapter Included)	1290.65	1550.85
5	77707-0256	Air Blower Kit, Propane - 400LP Model (Single Volt Blower Adapter Included)	1290.65	1550.85
14	77707-0002	Enclosure Kit, Upper Right-Hand	339.64	408.11
16	474095	One Piece Metal Chamber/Combustion Chamber Assembly <sup>2</sup>	CALL	CALL
16	474957	One Piece Metal Chamber/Combustion Chamber Assembly <sup>1</sup>	662.37	795.90
17	42001-0001S	Lower Enclosure	827.57	994.41
19	77707-3200N	Enclosure Kit, Upper Left-Hand – Natural (200)	353.95	425.31
19	77707-3333N	Enclosure Kit, Upper Left-Hand – Natural (333)	353.95	425.31
19	77707-3400N	Enclosure Kit, Upper Left-Hand – Natural (400)	353.95	425.31
19	77707-3200L	Enclosure Kit, Upper Left-Hand – Propane (200)	353.95	425.31
19	77707-3333L	Enclosure Kit, Upper Left-Hand – Propane (333)	353.95	425.31
19	77707-3400L	Enclosure Kit, Upper Left-Hand – Propane (400)	CALL	CALL
24a	474201	Combustion Chamber O-Ring Kit <sup>2</sup>	CALL	CALL
24b	474952	Combustion Chamber O-Ring Kit <sup>1</sup>	70.94	85.24
27	474094	One Piece Metal Elbow/Combustion Chamber Cover Assembly <sup>2</sup>	CALL	CALL
27	474958	One Piece Metal Elbow/Combustion Chamber Cover Assembly <sup>1</sup>	754.10	906.13
28	42002-0005S	Metal Vent Cover	205.45	246.87
29	42001-0074S	Kit Lower Enclosure Insulation	86.08	103.43

Item	Part No.	Description	US List	Can. List
<b>NOT SHOWN</b>				
	77707-0431	Gas Orifice Kit – Natural - 200 Model (Incl. 3 & 4) *	85.45	102.68
	77707-0421	Gas Orifice Kit – Natural - 333 Model (Incl. 3 & 4) *	85.45	102.68
	77707-0411	Gas Orifice Kit – Natural - 400 Model (Incl. 3 & 4) *	85.45	102.68
	77707-0461	Gas Orifice Kit – Propane - 200 Model (Incl. 3 & 4) *	85.45	102.68
	77707-0451	Gas Orifice Kit – Propane - 333 Model (Incl. 3 & 4) *	85.45	102.68
	77707-0441	Gas Orifice Kit – Propane - 400 Model (Incl. 3 & 4) *	85.45	102.68
	77707-1461	NG to Propane Conversion Kit – 200 Model (Incl. 3 & 4) *	88.35	106.16
	77707-1451	NG to Propane Conversion Kit – 333 Model (Incl. 3 & 4) *	88.35	106.16
	77707-1441	NG to Propane Conversion Kit – 400 Model (Incl. 3 & 4) *	88.35	106.16
	77707-1431	Propane to NG Conversion Kit – 200 Model (Incl. 3 & 4) *	88.35	106.16
	77707-1421	Propane to NG Conversion Kit – 333 Model (Incl. 3 & 4) *	88.35	106.16
	77707-1411	Propane to NG Conversion Kit – 400 Model (Incl. 3 & 4) *	88.35	106.16
	77707-0111	Air Orifice Kit - (Incl. 6 & 7, 200 Model Only)	102.79	123.51
	77707-0112	Air Orifice Kit - (Incl. 6 & 7, 333 Model Only)	102.79	123.51
	77707-0113	Air Orifice Kit - (Incl. 6 & 7, 400 Model Only)	102.79	123.51
	77707-0011	Blower/Adapter Plate Gasket Kit - (Incl. 8, 9, 10, & 12)	101.23	121.64
	77707-0202	Flameholder Kit - 200 Model (Incl. 10, 11, 12 & 13)	240.55	289.04
	77707-0203	Flameholder Kit - 333 Model (Incl. 10, 11, 12, 13, & Flameholder Insert)	270.61	325.16
	77707-0204	Flameholder Kit - 400 Model (Incl. 10, 11, 12, 13, & Flameholder Insert)	315.70	379.35
	42001-0074S	Lower Enclosure Insulation	86.08	103.43
	77707-0008	Insulation Kit (Incl. 13, 15, 20, 21, 22, 23, 24, 25, 26)	245.10	294.51
	77707-0112	Air Orifice Kit 333 Model	102.79	123.51
	77707-0113	Air Orifice Kit 400 Model	102.79	123.51
	461100	Pro Service Package - Master Commonly replaced items in a reusable hardcase	1760.66	2115.61
	475265	Rodent Resistant Air Orifice Protection Cap	113.08	135.88
	42001-0085S	Bolt Down Kit	84.00	100.93

\* Not included with heater. Order separately.

<sup>1</sup> For Heaters Manufactured after 11/16/13 (New 9-Bolt Lid Tub Design).

<sup>2</sup> For Heaters Manufactured after 1/12/09 (Clamp Lid Tub Design).

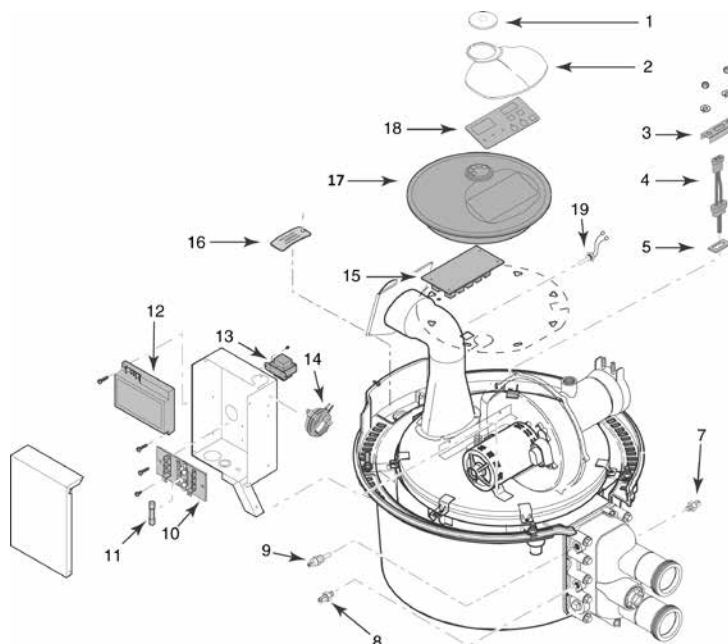
Note: Kits include Clamp assembly, O-ring and silicone tube.

## CALIFORNIA PROPOSITION 65 WARNING

**WARNING:** Cancer and Reproductive Harm.  
**AVERTISSEMENT:** Peut Causer le Cancer et des Dommages au Système Reproducteur.  
**ADVERTENCIA:** Cáncer y Daño Reproductivo.  
[www.p65warnings.ca.gov](http://www.p65warnings.ca.gov)

# MAX-E-THERM® HEATER

## ELECTRICAL SYSTEM REPLACEMENT PARTS



Item	Part No.	Description	Qty.	US List	Can. List
<b>MAX-E-THERM ELECTRICAL SYSTEM</b>					
1	77707-0009	Display Cover Retainer Cap Kit, Cap and CPSC Warning Label	1	112.03	134.62
2	42001-0008S	Heater Display Cover	1	62.97	75.66
3	42001-0030S	Igniter Bracket	1	84.00	100.93
4	77707-0054	Igniter/Igniter Gasket Kit (Incl. Key Nos. 4 and 5)	1	130.17	156.41
5	42001-0066S	Igniter Gasket	1	84.00	100.93
7	42002-0025S	Automatic Gas Shutoff Switch (AGS)	1	80.06	96.20
8	42001-0063S	High Limit Switch	1	97.35	116.98
9	42001-0053S	Thermistor	1	124.34	149.41
10	42001-0056S	Terminal Board	1	84.00	100.93
11	32850-0099	Fireman's Switch Fuse (1.25A, 1-1/4 in.)	1	11.74	14.11
12	476223	Ignition Control Module	1	522.00	627.24
13	42001-0107S	Transformer, 115/230V	1	106.18	127.59
13	42001-0057S	Transformer 120/240V, Single Adapter Only*	1	100.26	120.47
14	42001-0061S	Air Flow Switch	1	215.29	258.69
15	461105	Control Board Kit (NA, LP Series)	1	988.32	1187.57
16	77707-0022	Junction Box Cover Kit	1	84.00	100.93

Item	Part No.	Description	Qty.	US List	Can. List
17	77707-0013	Enclosure for Control Board (Incl. #17, 18)	1	422.72	507.94
18	472610Z	Five Button Membrane Keypad - for heaters made before 5/5/2021	1	215.69	259.17
18	461106	Six Button Membrane Keypad - For heaters made after 5/6/2021	1	215.67	259.15
19	42002-0024S	Stack Flue Sensor	1	187.09	224.81
19b	42002-0009	Stack Flue Switch	1	CALL	CALL
<b>NOT SHOWN</b>					
	461107	Heater Wiring Harness - 115/230V	1	517.98	622.40
	42001-0105S	120/240 Volt Plug Kit	1	84.00	100.93
	42002-0009	Temp Probe		CALL	CALL
	42001-0057S	Transformer 120/240 (Dual and Single Adapter)	1	100.26	120.47
	42001-0247	Blower Adapter Dual/Single Volt	1	60.81	73.07
	461101	Pro Service Page - Electrical Parts (includes items in a reusable hardcase: 4, 7 qty (2), 8 qty (2), 9 qty (2), 11 qty (3), 14, 19, not shown water pressure switch)		765.51	919.84

**CALIFORNIA PROPOSITION 65 WARNING**

**⚠ WARNING:** Cancer and Reproductive Harm.  
**⚠ AVERTISSEMENT:** Peut Causer le Cancer et des Dommages au Système Reproducteur.  
**⚠ ADVERTENCIA:** Cáncer y Daño Reproductivo.  
[www.p65warnings.ca.gov](http://www.p65warnings.ca.gov)

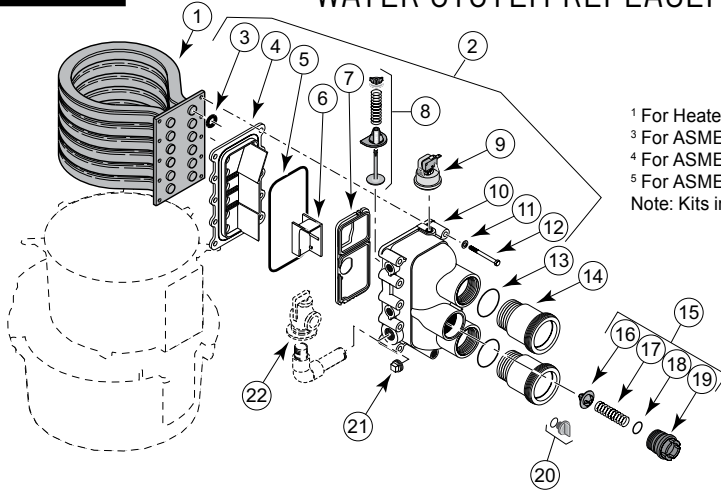
\* For single voltage wire harness heaters prior to 2004.

Product on page 108–109.



# MAX-E-THERM® HEATER

## WATER SYSTEM REPLACEMENT PARTS



<sup>1</sup> For Heaters Manufactured after 1/12/09  
<sup>3</sup> For ASME Heaters Manufactured After 3/24/09 (Tub Design w/Clamp Ring).  
<sup>4</sup> For ASME Heaters Manufactured Prior to 10/2012 (Old Header Design).  
<sup>5</sup> For ASME Heaters Manufactured After 11/16/13 (New 9-Bolt Tub Design).  
 Note: Kits include Clamp, O-rings, Insulation, Igniter and Blower Gaskets.

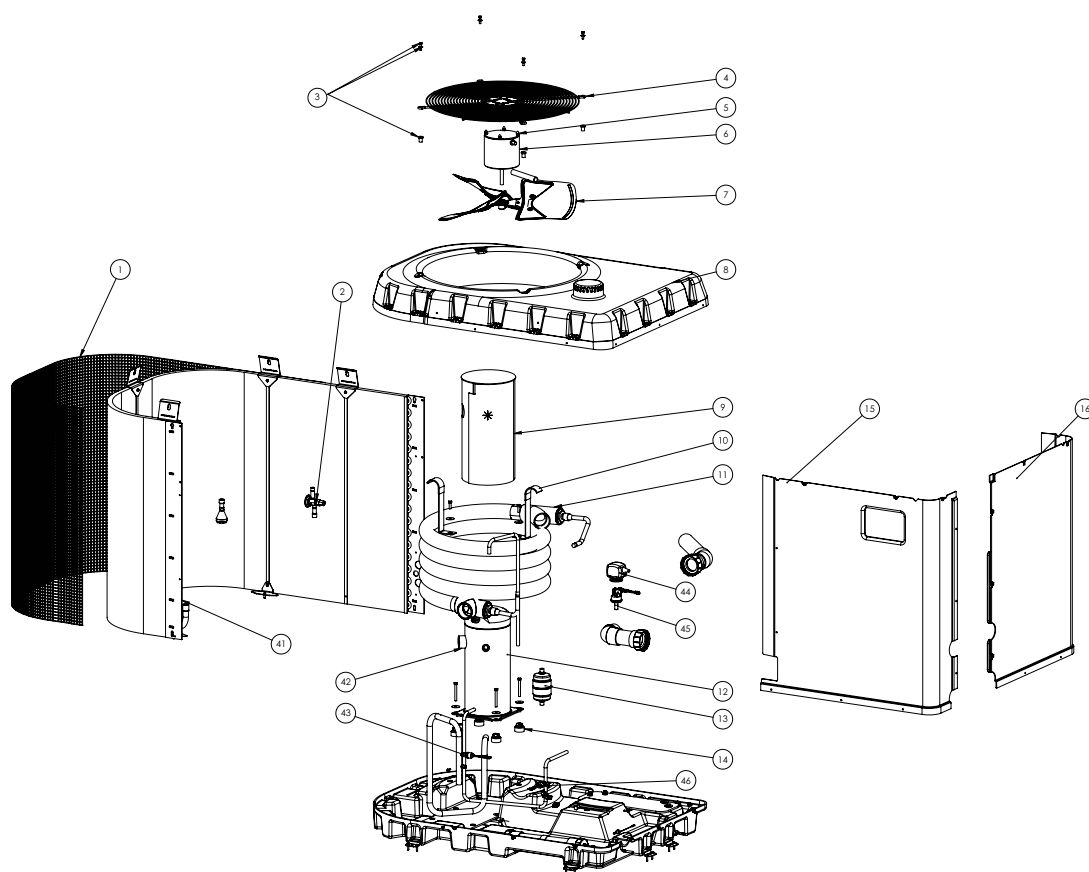
CALIFORNIA PROPOSITION 65 WARNING  
 ⚠️ WARNING: Cancer and Reproductive Harm.  
 ⚠️ AVERTISSEMENT: Peut Causer le Cancer et des Dommages au Système Reproducteur.  
 ⚠️ ADVERTENCIA: Cáncer y Daño Reproductivo.  
[www.p65warnings.ca.gov](http://www.p65warnings.ca.gov) PK 201714

Item	Part No.	Description	US List	Can. List
<b>MAX-E-THERM WATER SYSTEM</b>				
1	474058	Tube Sheet Coil Assembly Kit (NA, LP Series) (Incl. No. 3) - 200 Models <sup>1</sup>	1415.98	1701.44
1	474060	Tube Sheet Coil Assembly Kit (NA, LP Series) (Incl. No. 3) - 333 Models <sup>1</sup>	1960.61	2355.87
1	474061	Tube Sheet Coil Assembly Kit (NA, LP Series) (Incl. No. 3) - 400 Models <sup>1</sup>	2341.80	2813.91
1	474062	Tube Sheet Coil Assembly Kit (HD Series) (Incl. No. 3) - 200 Models <sup>1</sup>	2744.62	3297.94
1	474064	Tube Sheet Coil Assembly Kit (HD Series) (Incl. No. 3) - 333 Models <sup>1</sup>	3213.18	3860.96
1	474065	Tube Sheet Coil Assembly Kit (HD Series) (Incl. No. 3) - 400 Models <sup>1</sup>	3539.95	4253.60
2	77707-0014	Manifold Kit (Incl. Nos. 3-14, 20-21, and 7-9 in "Electrical System" (Page 300) - 200 Models	1000.53	1202.24
2	77707-0015	Manifold Kit (Incl. Nos. 3-14, 20-21, and 7-9 in "Electrical System" (Page 300) - 333 Models	1000.53	1202.24
2	77707-0016	Manifold Kit (Incl. Nos. 3-14, 20-21, and 7-9 in "Electrical System" (Page 300) - 400 Models	1000.53	1202.24
2	474200	Basic Manifold Kit (Incl. Nos. 3, 10-14)	319.23	383.59
3	77707-0117	Coil/Tubesheet Sealing O-Ring Kit - 200 Model (6)	84.00	100.93
3	77707-0118	Coil/Tubesheet Sealing O-Ring Kit - 333 Model (10)	84.00	100.93
3	77707-0119	Coil/Tubesheet Sealing O-Ring Kit - 400 Model (12)	84.00	100.93
8	77707-0001	Manifold Bypass Valve Package	89.02	106.97
9	42001-0060S	Water Pressure Switch	128.49	154.39
13	U9-266	O-Ring	5.34	6.42

Item	Part No.	Description	US List	Can. List
14	77707-0017	Connector Tube Kit (Includes 1 Connector Tube and 1 O-Ring)	85.38	102.59
15	77707-0010	Thermal Regulator Kit (Incl. Key 16-19 and Spring Clip)	162.62	195.40
16	38000-0007S	Thermal Regulator (Includes Spring Clip)	112.03	134.62
18	35505-1313	Thermal Regulator Cap O-ring (O-ring only)	7.17	8.62
20	U178-920PZ	Drain Plug	7.80	9.37
21	U78-60ZPS	3/4 in. Pipe Plug	9.89	11.88
22	473715Z	Kit Pressure Relief Valve	245.51	295.00
23	PKG 188Z	2 in. Union Adapter Package (includes 2)	46.96	56.43
461102		Pro Service Package - Water System Parts (Includes items in reusable hard case; #8, #9, #15, not shown - Thermistor qty(2), High Limit Switch qty(2), AGS Switch qty(2))	612.40	735.86
462052		Accessories and Documents Bundle	CALL	CALL
<b>ASME KITS</b>				
	472648Z	Bypass Access Plug (Old Header Design ASME)	576.94	693.25
	77707-0120	O-Ring Kit (Incl. Nos. 3, 5)	71.57	86.00
	474096	Heat Exchanger Kit - 400 ASME <sup>3</sup>	CALL	CALL
	474956	Heat Exchanger Kit <sup>5</sup> - 400 ASME	4846.97	5824.12
	460923	ASME Bypass Valve Kit <sup>4</sup> (Old Header Design)	501.55	602.66
	461007	ASME Bypass Valve Tool Kit <sup>4</sup> (Old Header Design)	298.31	358.45
	460924	Thermal Regulator Kit (incl. spring clip & install tools) (ASME) (Old Heater Design) <sup>4</sup>	245.10	294.51
	460941	Heat Exchanger Kit - 250 ASME <sup>2</sup>	CALL	CALL
	474097	Heat Exchanger Kit - 250 ASME <sup>3</sup>	CALL	CALL

# ULTRATEMP ETi® HEATER

## HIGH PERFORMANCE HYBRID HEATER



Item	Part No.	Description	Qty.	US List	Can. List
<b>ULTRATEMP 220 ETi REFRIGERATION SYSTEM</b>					
1	473054Z	Coil Guard	1	282.78	339.79
2	476105Z	Thermostatic Expansion Valve	1	174.54	209.73
3	470441	Fan Guard Fastener Kit	1	11.95	14.36
4	473786	Fan Guard	1	239.42	287.69
5	470439	Nut, #10-32 SS Acorn	1	7.79	9.36
6	473785	Fan Motor with Acorn Nut Kit	1	584.25	702.03
7	473783	Fan Blade	1	275.35	330.86
8	475938Z	Hybrid Lid Almond	1	577.90	694.40
8	476068Z	Hybrid Lid Black	1	577.90	694.40
9	475230Z	Compressor Blanket	1	133.16	160.01
10	475948Z	Titanium Heat Exchanger Tie Down Bracket	1	56.25	67.59
11	475949	Titanium Heat Exchanger	1	CALL	CALL

Item	Part No.	Description	Qty.	US List	Can. List
12	473735Z	Compressor, ZP70 (FG UNITS BUILT BEFORE 12/14/20)		3634.32	4367.00
12	476229Z	Compressor, ARA072KA (FG UNITS BUILT ON AND AFTER 12/14/20)		4094.72	4920.22
13	473121	Drier Single Direction	1	144.29	173.38
14	473736	Compressor Isolation Kit	1	41.86	50.30
15	475939	Control/HP Panel Almond		244.78	CALL
15	476069	Control/HP Panel Black		244.78	CALL
16	475940Z	Gas Panel Almond		352.94	424.09
16	476070Z	Gas Panel Black		352.94	424.09
*	472409	CoreMax Valve Core		15.90	CALL

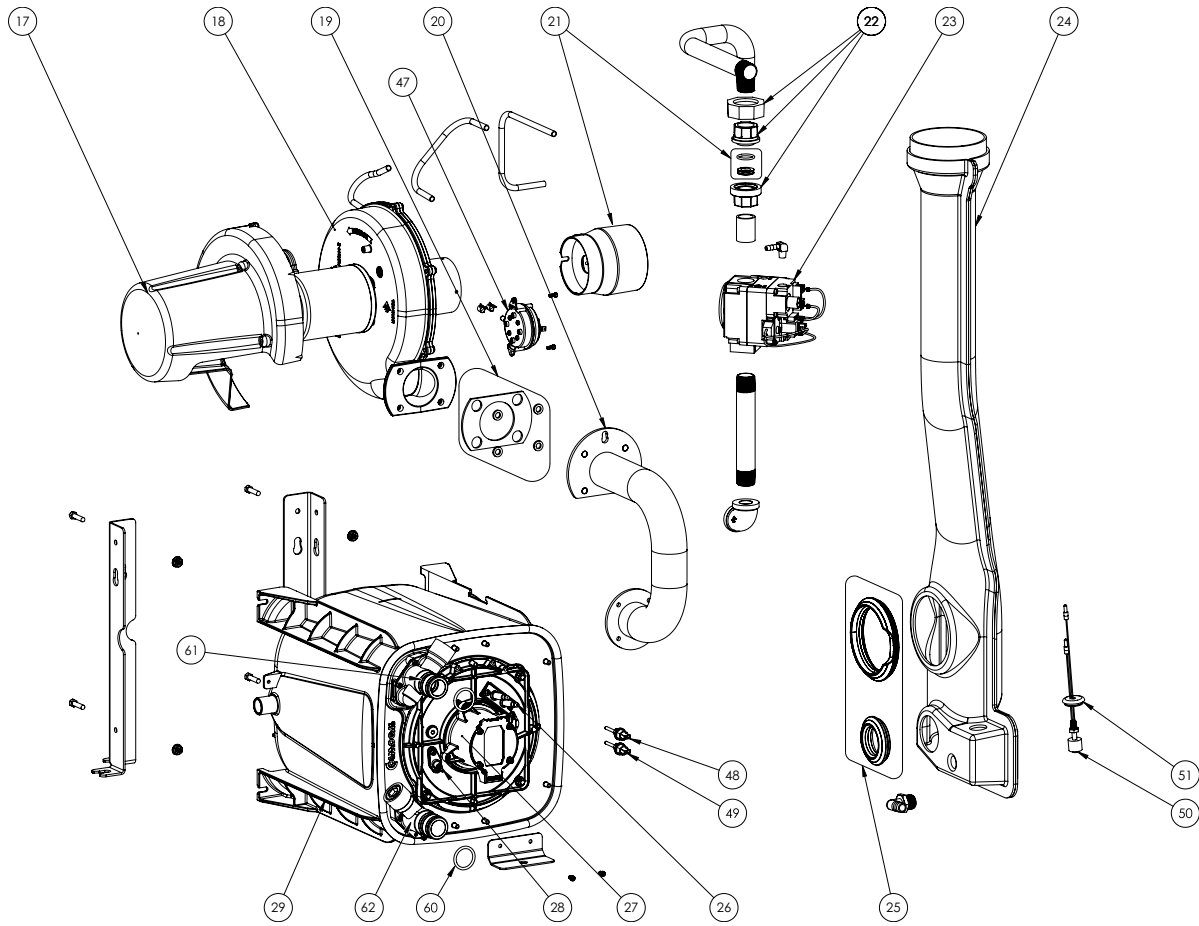
\* Not shown

CALIFORNIA PROPOSITION 65 WARNING

⚠ **WARNING:** Cancer and Reproductive Harm.  
 ⚠ **AVERTISSEMENT:** Peut Causer le Cancer et des Dommages au Système Reproducteur.  
 ⚠ **ADVERTENCIA:** Cáncer y Daño Reproductivo.  
[www.p65warnings.ca.gov](http://www.p65warnings.ca.gov)

# ULTRATEMP ETi® HEATER (CONT'D)

## HIGH PERFORMANCE HYBRID HEATER



Item	Part No.	Description	Qty.	US List	Can. List
<b>ULTRATEMP 220 ETi GAS SYSTEM</b>					
17	475918Z	Blower Shield Cap	1	78.99	94.91
18	474285Z	Blower	1	386.27	464.14
19	475902Z	Air Manifold to Blower Gasket Kit	1	31.18	37.47
20	475899Z	Air Manifold	1	532.14	639.42
21		Orifice Kit, Natural Gas	1		
21		Orifice Kit, Propane	1		
22	38404-4097S	3/4 in. Union	1	55.99	67.28
23		Gas Valve	1		
24	475900Z	Exhaust	1	1143.09	1373.54
25	475877	Exhaust Gasket Kit (2 Pieces)	1	34.11	40.99
26	476081Z	Gas Engine Spark Electrodes	1	201.60	242.24
28	462023	Flame Sensor		67.37	CALL
61	462066	Kit Inlet Hybrid Exch		130.81	157.18
62	462067	Kit Outlet Hybrid Exch		130.81	157.18

Item	Part No.	Description	Qty.	US List	Can. List
<b>ULTRATEMP 220 ETi GAS SYSTEM</b>					
*	475615	Gas Heat Exchanger Gasket Service Kit	1	885.32	1063.80
*	475606	Gas Heat Exchanger Hardware Kit	1	110.60	132.90
*	475943	Pressure Relief Valve Kit	1	307.46	369.44
	475954Z	Condensate Neutralizer Kit		350.77	421.49

\* Not shown

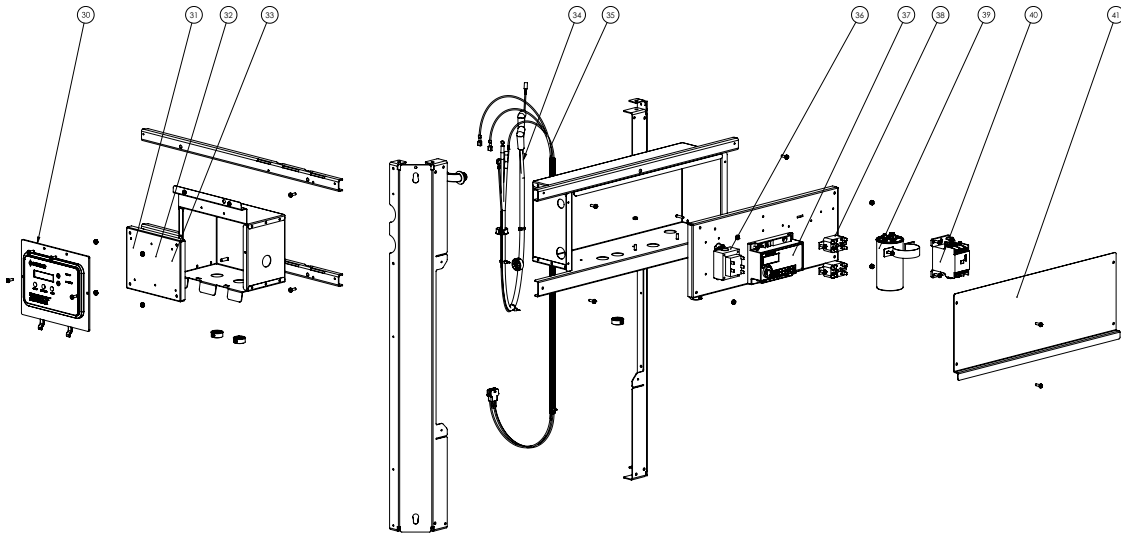
CALIFORNIA PROPOSITION 65 WARNING

⚠ **WARNING:** Cancer and Reproductive Harm.  
 ⚠ **AVERTISSEMENT:** Peut Causer le Cancer et des Dommages au Système Reproducteur.  
 ⚠ **ADVERTENCIA:** Cáncer y Daño Reproductivo.

www.p65warnings.ca.gov. PNL020174A

# ULTRATEMP ETi® HEATER (CONT'D)

## HIGH PERFORMANCE HYBRID HEATER



Item	Part No.	Description	Qty.	US List	Can. List
<b>ULTRATEMP 220 ETi ELECTRICAL SYSTEM</b>					
30	475957Z	Bezel, Control Board, and Label Kit	1	748.54	899.45
31	475928Z	Wire Harness, Gas Inputs	1	137.23	164.90
32	475929Z	Wire Harness, Heat Pump Inputs	1	78.99	94.91
33	475930Z	Wire Harness, Outputs	1	174.66	209.87
34	475926Z	Wire Harness, Spark Plugs (NG Units)	1	89.40	107.42
34	476450Z	Wire Harness, Spark Plugs (LP Units)		86.80	CALL
35	475931Z	Wire Harness, Gas Blower	1	27.03	32.48
36	473155	Transformer	1	246.97	296.76
37	475933Z	Ignition Control Module	1	790.12	949.41
38	473150	Relay, Fan and Gas	1	169.01	203.08
39	473731Z	Dual Capacitor with Bracket	1	131.09	CALL
40	473149	Contacter Compressor/ Input Power	1	262.42	315.32
41	475905Z	Cover Panel, High Voltage Box		127.99	153.79
42	474237	Compressor Harness Clip	1	13.01	15.63
43	473656	Switch, Low Refrigerant Pressure	1	174.35	209.50
44	473606	Water Pressure Switch Boot	1	10.09	12.12
45	475956Z	Water Pressure Switch	1	70.71	84.97

Item	Part No.	Description	Qty.	US List	Can. List
46	473744	Switch, High Refrigerant Pressure		142.33	171.02
47	475987	Air Pressure Switch		124.60	CALL
48	476118Z	Thermal Fuse		102.49	123.15
49	475601	Stack Flue Sensor		97.35	116.98
50	475901Z	Condensate Float Switch	1	41.62	50.01
51	475911Z	Condensate Float Switch Bushing	1	13.32	16.01
52	475941	Switch, Automatic Gas Shutoff, 140° F		58.18	69.91
53	475955Z	Switch, High Limit, 127° F		54.06	64.96
54	471566	Probe, Thermistor Water Temperature		81.89	98.40
*	475927Z	Wire Harness, High Voltage		87.33	104.94
*	475932Z	Compressor Harness, Hybrid (For ZP70 Compressor)		58.22	69.96
*	476234Z	Compressor Harness, Hybrid (For ARA072KA Compressor)		CALL	CALL

\* Not shown

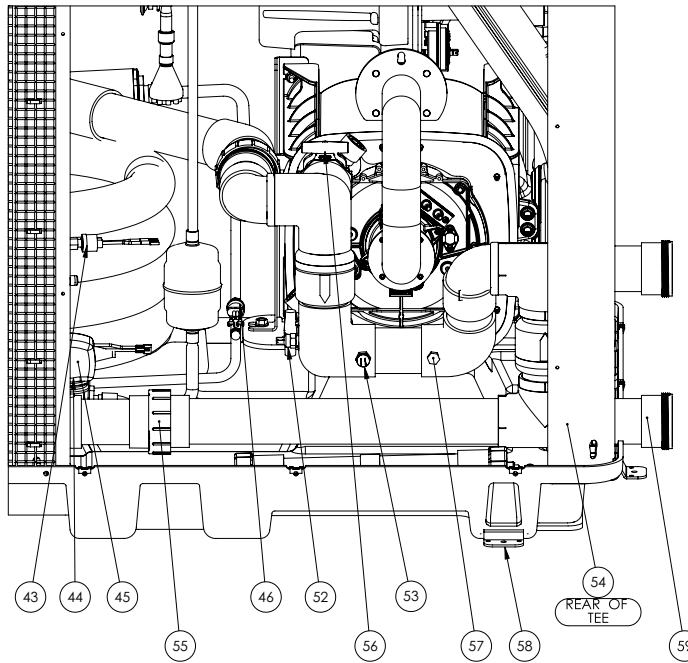
CALIFORNIA PROPOSITION 65 WARNING

▲ **WARNING:** Cancer and Reproductive Harm.  
▲ **AVERTISSEMENT:** Peut Causer le Cancer et des Dommages au Système Reproducteur.  
▲ **ADVERTENCIA:** Cáncer y Daño Reproductivo.

[www.p65warnings.ca.gov](http://www.p65warnings.ca.gov)
P/N 280174

# ULTRATEMP ETi® HEATER (CONT'D)

## HIGH PERFORMANCE HYBRID HEATER



CALIFORNIA PROPOSITION 65 WARNING  
 ⚠️ **WARNING:** Cancer and Reproductive Harm.  
 ⚠️ **AVERTISSEMENT:** Peut Causer le Cancer et des Dommages au Système Reproducteur.  
 ⚠️ **ADVERTENCIA:** Cáncer y Daño Reproductivo.  
[www.p65warnings.ca.gov](http://www.p65warnings.ca.gov) PK220174

Item	Part No.	Description	Qty.	US List	Can. List
<b>ULTRATEMP 220 ETi PLUMBING/MISC.</b>					
	473665	Probe Thermistor, Defrost Sensor	1	66.56	79.98
55	473381	Union PVC 2in	1	42.50	51.07
	475953Z	QRC Clip	1	20.39	24.50
	98218900	Drain Plug (1/4 NPT)	1	9.97	11.98
	475950Z	Hurricane Tie Down Straps	1	74.87	89.96
	476032Z	Water Management Assembly	1	1359.91	1634.07
	475912Z	Gas Engine Brass Ftg O-ring, -215 Silicone	1	14.55	17.48
*	470284	Nut, J Clip (Base)	1	4.68	5.62
*	470281	Nut, U Clip (Panels)	1	3.90	4.69
*	470159	Panel Screws, Phillips, Almond	1	1.97	2.37
*	470161	Lid Bracket Scews, Square Drive, Almond	1	1.97	2.37
*	476036Z	Union/Tie Down Kit (Includes 8X Item 58 and 2X Item 55)	1	415.03	498.70
*	474198	Panel Screws, Phillips, Black		1.97	2.37
*	474197	Lid Bracket Screws, Square Drive, Black		1.97	2.37
*	475943	Pressure Relief Valve Kit		307.46	369.44
*	473381	Union 2 in x 2 in, with O-Ring		42.50	51.07

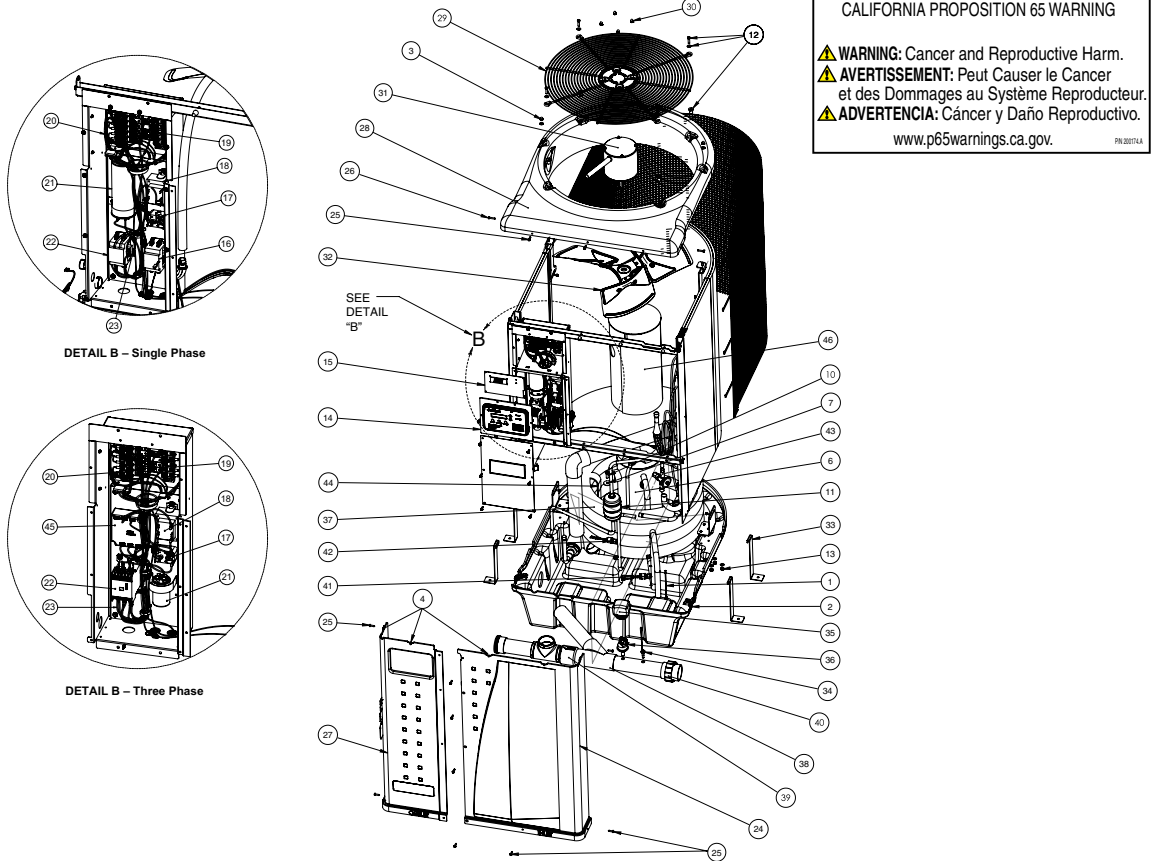
\* Not shown



# ULTRATEMP® HEAT PUMP

460833, 460863, 460928, 460929, 460930, 460931, 460932, 460933,  
 460934, 460935, 460936, 460937, 460938, 460958, 460959, 460960, 460961,  
 460962, 460963, 460964, 460965, 460967, 462032 & 462033

## REPLACEMENT PARTS



Item	Part No.	Description	US List	Can. List
<b>ULTRATEMP REPLACEMENT PARTS</b>				
1	473665	PROBE THERMISTOR DEFROST SENSOR	66.56	79.98
2	470284	NUT, J-CLIP	4.68	5.62
3	473285	NUT, 1/4-20 SS ACORN	1.97	2.37
4	470281	NUT, U-CLIP	3.90	4.69
5	473732	WIRE HARNESS, COMPRESSOR (1PH-60HZ) (For ZP49, ZP61, ZP70, and ZP83 compressors)	147.50	177.24
5	476233	Wire Harness, Compressor (1PH-60HZ) (For ARA083KA, ARA072KA, ARA061KA, and ABG049KAC compressors)	147.50	177.24
5	474009	WIRE HARNESS, COMPRESSOR (1PH-50HZ)	153.94	184.97
5	474010	WIRE HARNESS, COMPRESSOR (3-PHASE MODELS)	153.25	184.15
6	473734Z	COMPRESSOR, SCROLL ZP83 (MODEL 120, 120HC, 140, 140 HC ONLY) FG UNITS BUILT BEFORE 12/21/20	4094.72	4920.22
6	473735Z	COMPRESSOR, SCROLL ZP70 (MODEL 110 ONLY) FG UNITS BUILT BEFORE 12/14/20	3634.32	4367.00
6	474011Z	COMPRESSOR, SCROLL ZP83 (3-PHASE MODEL 120C, 140C ONLY)	4057.11	4875.02
6	474241Z	COMPRESSOR, SCROLL ZP61 (MODEL 90 ONLY) FG UNITS BUILT BEFORE 1/6/21	3300.87	3966.33
6	474291Z	COMPRESSOR, SCROLL ZP49 (MODEL 70 ONLY) FG UNITS BUILT BEFORE 1/6/21	2815.46	3383.06
6	476230Z	COMPRESSOR, SCROLL ARA083KA (MODEL 120Q, 120HC, 140, 140 HC) FG UNITS BUILT ON AND AFTER 12/21/20 (ACTIVE DEFROST UNITS SWITCHED TO NEW COMPRESSOR ON 5/10/21)	3634.32	4367.00
6	476229Z	COMPRESSOR, SCROLL ARA072KA (MODEL 110 ONLY) FG UNITS BUILT ON AND AFTER 12/14/20	4094.72	4920.22
6	476228Z	COMPRESSOR, SCROLL ARA061KA (MODEL 90 ONLY) FG UNITS BUILT ON AND AFTER 1/6/21	2815.46	3383.06
6	476227Z	COMPRESSOR, SCROLL ABG049KAC (MODEL 70 ONLY) FG UNITS BUILT ON AND AFTER 1/6/21	3300.87	3966.33
7	473295	FENDER WASHER	1.97	2.37
8	473736	COMPRESSOR ISOLATION KIT, GROMMET AND SPACER 1 SET	41.86	50.30
9	473745	BOLT 5/16-18 x 2 in. SS	6.81	8.18
10	98219800	BOLT 5/16-18 x 1 in. SS	2.38	2.86
11	473121	DRIER (ALL MODELS EXCEPT 120HC, 140HC)	144.29	173.38
11	473139	DRIER (MODEL 120HC, 140HC)	428.71	515.14
12	470441	FAN GUARD FASTENER KIT	11.95	14.36

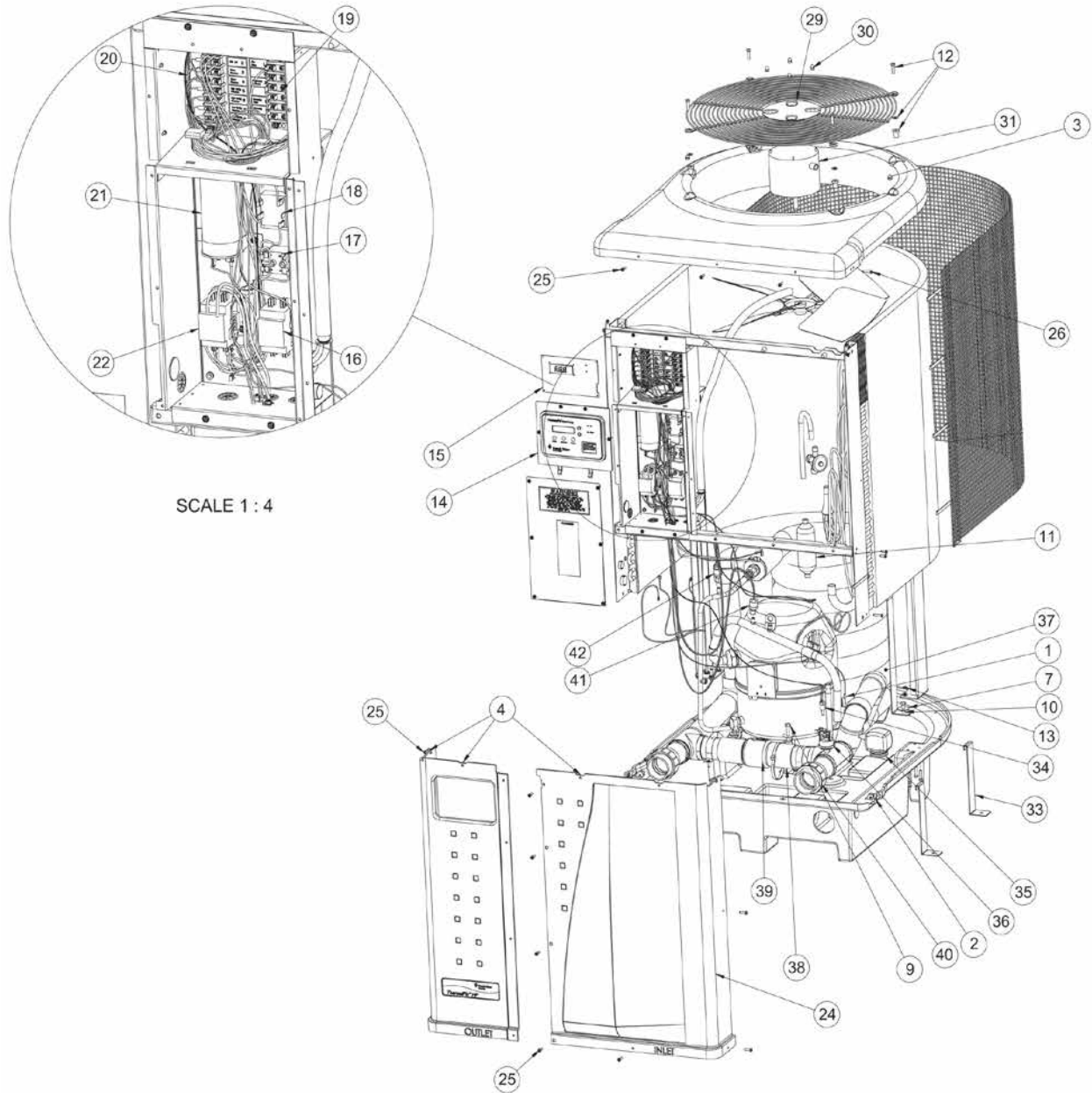
## ULTRATEMP® HEAT PUMP (CONT'D)

Item	Part No.	Description	US List	Can. List	Item	Part No.	Description	US List	Can. List
13	071406	NUT, 1/4-20 HEX SS	CALL	CALL	32	475271Z	FAN BLADE (MODEL 120Q ONLY)	333.33	CALL
14/15	472734	BEZEL, CONTRL BOARD & LABEL KIT	665.75	799.97	33	470137	TIE DOWN BRACKET	30.13	36.20
16	473603Z	PUMP CONTACTOR AUTOHEAT REPLACEMENT KIT (MODEL 70, 90, 110, 120, 120 H/C, 140, 140H/C)	502.13	603.36	34	471566	PROBE THERMISTER - WATER TEMPERATURE	81.89	98.40
17	473150	FAN RELAY	169.01	203.08	35	473606	WATER PRESSURE SWITCH BOOT	10.09	12.12
17	474016	FAN RELAY (3PH-50HZ ONLY)	CALL	CALL	36	473605	WATER PRESSURE SWITCH	115.43	138.70
18	473155	TRANSFORMER	246.97	296.76	37	473992	TITANIUM HEAT EXCHANGER (FOR ALL MODELS BUILT PRIOR TO JAN 2017, EXCEPT MODELS 100I, 90I, 90, 70)	4800.91	5768.77
18	473790	TRANSFORMER (3PH-50HZ ONLY)	260.94	313.55	37	472736	TITANIUM HEAT EXCHANGER (FOR MODELS 100I & 90 ONLY, UNITS BUILT PRIOR TO JAN 2017)	4798.22	5765.54
19	473422	WIRE HARNESS TERMINAL BLOCK-FAN, COMPRESSOR	127.22	152.87	37	475193Z	TITANIUM HEAT EXCHANGER (FOR ALL MODELS EXCEPT 70, UNITS BUILT AFTER JAN 2017)	3534.72	4247.32
20	473315	WIRE HARNESS, TERMINAL BLOCK-SENSORS	155.33	186.64	37	475219Z	TITANIUM HEAT EXCHANGER (FOR MODEL 70 ONLY, UNITS BUILT AFTER JAN 2017)	3326.80	3997.48
21	473731Z	CAPACITOR WITH BRACKET (MODEL 70, 90, 110, 120, 120Q, 120HC, 140, 140HC ONLY)	CALL	CALL	38	473774Z	WATER BYPASS MANIFOLD W/ 2 STREET ELBOWS (PRIOR TO JAN. 2017)	738.65	887.56
21	473154	CAPACITOR (3-PHASE MODEL 120C, 140C ONLY)	91.19	109.57	38	475176Z	WATER MANIFOLD BYPASS KIT	530.19	637.08
21	470146	CAPACITOR (MODEL 100I)	125.50	150.80	39	R172305	WATER BYPASS CHECK VALVE	CALL	CALL
22	473149	CONTACTOR, HEAT PUMP (ALL SINGLE PHASE MODELS PRIOR TO 12/2014)	262.42	315.32	40	473381	UNION PVC 2 in.	42.50	51.07
22	473778	CONTACTOR, HEAT PUMP (3-PHASE MODELS; ALL SINGLE PHASE MODELS POST 2014)	673.05	808.74	41	473656	SWITCH, LOW PRESSURE	174.35	209.50
23	473423	WIRE HARNESS, MAIN (ALL SINGLE PHASE MODELS PRIOR TO 12/2014)	123.19	148.03	42	473744	SWITCH, HIGH PRESSURE	142.33	171.02
23	475112	WIRE HARNESS, MAIN (ALL SINGLE PHASE MODELS)	123.17	148.00	43	473787	THERMOSTATIC EXPANSION VALVE (MODEL 120, 120C, 120Q, 90I)	375.29	450.95
23	474021	WIRE HARNESS, MAIN (3-PHASE MODEL 120C, 140C ONLY)	224.32	269.54	43	473999	THERMOSTATIC EXPANSION VALVE (MODEL 120HC, 110)	375.29	450.95
23	474031	WIRE HARNESS, MAIN (3-PHASE MODEL 90I ONLY)	234.84	282.18	43	474248	THERMOSTATIC EXPANSION VALVE (MODEL 100I)	375.28	450.94
24	473742	PANEL, FRONT RIGHT, 36 in. ALMD.	359.58	432.07	43	474242	THERMOSTATIC EXPANSION VALVE (MODEL 70, 90)	CALL	CALL
24	474194	PANEL, FRONT RIGHT, 36 in. BLACK	359.58	432.07	43	474327	THERMOSTATIC EXPANSION VALVE (MODELS 140, 140HC)	377.04	453.05
24	473431	PANEL, FRONT RIGHT (MODEL 100I ONLY)	351.18	421.98	44	473772	TITANIUM WATER COIL TIE DOWN STRAP (1 ON ALL MODELS EXCEPT MODEL 90I) (PRIOR TO JAN. 2017)	78.23	94.00
24	473412	PANEL, FRONT RIGHT (MODEL 70, 90, 90I ONLY)	308.32	370.48	44	473789	TITANIUM WATER COIL TIE DOWN STRAP (1 ON ALL MODELS EXCEPT MODELS 90, 90I & 100I) (PRIOR TO JAN. 2017)	119.32	143.37
24	474265	PANEL, FRONT RIGHT (MODEL 70 BLACK, 90 BLACK)	CALL	CALL	44	475194	TITANIUM WATER COIL TIE DOWN, RIGHT SIDE	42.43	50.98
25	470159	SCREW #10 x .75 in. PAN HEAD PHILLIPS, ALMOND HEAD	1.97	2.37	44	475195	TITANIUM WATER COIL TIE DOWN, LEFT SIDE	42.43	50.98
25	474198	SCREW #10 x .75 in. PAN HEAD PHILLIPS, BLACK HEAD	1.97	2.37	45	474089	PHASE MONITOR	376.51	452.41
26	470161	SCREW #10 x 1 in. BUTTON HEAD TORX, ALMOND HEAD	1.97	2.37	46	475231Z	COMPRESSOR BLANKET	CALL	CALL
26	474197	SCREW #10 x 1 in. BUTTON HEAD TORX, BLACK HEAD	1.97	2.37	<b>NOT SHOWN</b>				
27	473755	PANEL, FRONT LEFT, W/ DECAL	380.38	457.06	473135		REVERSING VALVE (Model 120HC, 140HC) HEAT COOL ONLY	CALL	CALL
27	474196	PANEL, FRONT LEFT, W/ DECAL, 36 in. BLACK	380.38	457.06	473432		REVERSING SOLENOID (Model 120HC, 140HC) HEAT COOL ONLY	317.43	381.42
27	474202	PANEL, FRONT LEFT, W/ DECAL (MODEL 100I ONLY), 36 in.	370.93	445.71	474270Z		TITANIUM COIL WATER SIDE REPAIR KIT (FOR HEAT EXCHANGER BUILT PRIOR TO JAN. 2017)	145.63	174.99
27	474203	PANEL, FRONT LEFT, W/ DECAL (MODEL 70, 90, AND 90I ONLY)	349.03	419.39	474237		COMPRESSOR HARNESS CLIP	13.01	15.63
27	474267	PANEL, FRONT LEFT, W/ DECAL, 24 in. BLACK	349.01	419.37	461030Z		WATER UNION & TIE DOWN KIT	110.94	133.31
28	473773	HP TOP, ALMOND	651.15	782.42	474321		3 IN. RECEIVER (MODEL 140, 140HC)	353.47	424.73
28	474193	HP TOP, BLACK	651.15	782.42	473054Z		COIL GUARD	282.78	339.79
28	475273	HP TOP, ALMOND (MODEL 120Q ONLY)	651.12	782.39	475232		MALE HOSE BARB 5/8" X 1/2" NPT	8.49	10.20
28	475274	HP TOP, BLACK (MODEL 120Q ONLY)	651.12	782.39	472409		COREMAX VALVE CORE	CALL	CALL
29	473786	GUARD, FAN	239.42	287.69	071426		O-RING FOR UNION	2.47	2.97
30	470439	NUT, #10-32 SS ACORN	7.79	9.36	476422Z		HARD START CAPACITOR KIT	CALL	CALL
31	473785	FAN MOTOR W/ ACORN NUT KIT	584.25	702.03	476352Z		Bracket, Top (For Model 120Q only)	64.10	77.02
31	474030Z	FAN MOTOR W/ ACORN NUT KIT (MODEL 90I ONLY)	808.86	971.93					
31	474323Z	FAN MOTOR W/ACORN NUT KIT (MODEL 140 & 140HC ONLY)	612.44	735.91					
32	473783Z	FAN BLADE (60 Hz)	277.78	CALL					
32	474230	FAN BLADE (50 Hz)	275.35	330.86					
32	474322Z	FAN BLADE (MODELS 140 & 140HC ONLY)	333.33	CALL					

# THERMALFLO™ HEAT PUMP TITANIUM

460912, 460913, 460914, 460915, & 460922

## REPLACEMENT PARTS



### CALIFORNIA PROPOSITION 65 WARNING

⚠ **WARNING:** Cancer and Reproductive Harm.  
⚠ **AVERTISSEMENT:** Peut Causer le Cancer  
et des Dommages au Système Reproducteur.  
⚠ **ADVERTENCIA:** Cáncer y Daño Reproductivo.  
[www.p65warnings.ca.gov](http://www.p65warnings.ca.gov)

PH 201514

# THERMALFLO™ HEAT PUMP TITANIUM (CONT'D)

## REPLACEMENT PARTS

Item	Part No.	Description	US List	Can. List	Item	Part No.	Description	US List	Can. List
<b>THERMALFLO HP TITANIUM</b>									
1	473665	Probe Thermister Defrost Sensor	66.56	79.98	25	470159	Screw #10 x 3/4 in. Pan Head Phillips, Almond Head	1.97	2.37
2	470284	Nut, J-Clip	4.68	5.62	26	470161	Screw #10 x 1 in. Button Head Torx, Almond Head	1.97	2.37
3	473285	Nut, 1/4-20 SS Acorn	1.97	2.37	29	473368	Guard, Fan	174.11	209.21
4	470281	Nut, U-Clip	3.90	4.69	30	470439	Nut, 10-32 SS Acorn	7.79	9.36
7	473295	Fender Washer	1.97	2.37	31	470289	Fan Motor w/ Acorn nut Kit	442.52	531.73
9	473294	Bolt 5/16-18 x 1-3/4 in. SS	1.97	2.37	33	470137	Tie Down Bracket	30.13	36.20
10	98219800	Bolt 5/16-18 x 1 in. SS	2.38	2.86	34	471566	Probe Thermister - Water Temperature	81.89	98.40
11	473121	Drier (Model # 500, 700, 900, 1200)	144.29	173.38	35	473606	Water Pressure Switch Boot	10.09	12.12
11	473139	Drier, Reversible (Model # 1200R)	428.71	515.14	36	473605	Water Pressure Switch	115.43	138.70
12	470441	Fan Guard Fastener Kit	11.95	14.36	37	472736	Titanium Heat Exchanger (Model# 700, 900, 1200, 1200R)	4798.22	5765.54
13	071406	Nut, 1/4-20 Hex SS	CALL	CALL	38	473774Z	Water Bypass Manifold <sup>1</sup>	738.65	887.56
14	473693	Bezel, Control Board w/ Label	266.30	319.99	39	R172305	Water Bypass Check Valve	CALL	CALL
15	472734	Control Board Assembly	665.75	799.97	40	473381	Union PVC 2 in.	42.50	51.07
16	473603	Pump Contactor AutoHeat	90.32	108.53	41	473656	Switch, Low Pressure	174.35	209.50
17	473150	Fan Relay	169.01	203.08	42	473655	Switch, High Pressure	174.35	209.50
18	473155	Transformer	246.97	296.76	<b>NOT SHOWN</b>				
19	473422	Wire Harness Terminal Block - Fan, Compressor	127.22	152.87	473135	Reversing Valve (Model # 1200R)	CALL	CALL	
20	473315	Wire Harness, Terminal Block - Sensors	155.33	186.64	473432	Reversing Solenoid (Model # 1200R) <sup>2</sup>	317.43	381.42	
21	470146	Capacitor	125.50	150.80	473034	RotoLock Lo Side with Gasket	137.48	165.20	
22	473149	Contactor, Heat Pump	262.42	315.32	473035	RotoLock Hi Side with Gasket	137.48	165.20	
24	473412	Panel, Front Right (Model# 500, 700)	308.32	370.48					
24	473431	Panel, Front Right (Model# 900, 1200, 1200R)	351.18	421.98					

<sup>1</sup> For units manufactured after 7/1/09.

<sup>2</sup> For units manufactured after 2005.  
(Use PN 473136 for units manufactured before 2005).

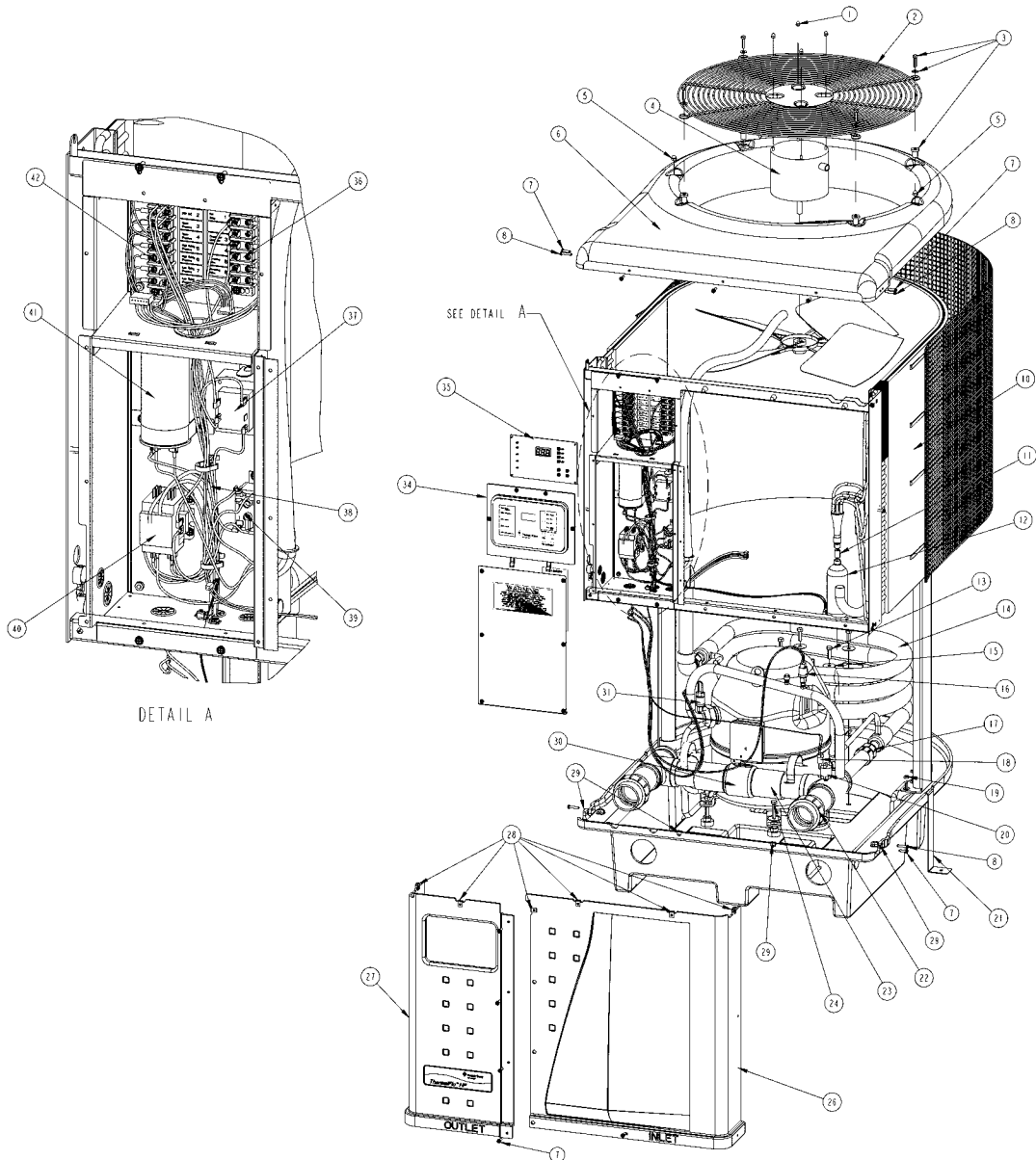
### CALIFORNIA PROPOSITION 65 WARNING

⚠ **WARNING:** Cancer and Reproductive Harm.  
 ⚠ **AVERTISSEMENT:** Peut Causer le Cancer et des Dommages au Système Reproducteur.  
 ⚠ **ADVERTENCIA:** Cáncer y Daño Reproductivo.  
[www.p65warnings.ca.gov](http://www.p65warnings.ca.gov)

# THERMALFLO™ HEAT PUMP

## 460812, 460813, 460814, 460815, & 460822

### REPLACEMENT PARTS



CALIFORNIA PROPOSITION 65 WARNING  
 ⚠️ **WARNING:** Cancer and Reproductive Harm.  
 ⚠️ **AVERTISSEMENT:** Peut Causer le Cancer et des Dommages au Système Reproducteur.  
 ⚠️ **ADVERTENCIA:** Cáncer y Daño Reproductivo.  
[www.p65warnings.ca.gov](http://www.p65warnings.ca.gov) PK2017LA

# THERMALFLO™ HEAT PUMP (CONT'D)

## REPLACEMENT PARTS




Item	Part No.	Description	US List	Can. List
<b>THERMALFLO HP</b>				
1	470439	Nut, 10-32 SS acorn <sup>2</sup>	7.79	9.36
2	473368	Fan guard	174.11	209.21
3	470441	Fastener kit, fan guard, 1 set	11.95	14.36
4	470289	Fan motor w/ acorn nuts	442.52	531.73
5	473285	Nut, 1/4-20 SS acorn	1.97	2.37
6	473134	Top	959.64	1153.10
7	470159	Screw, 10 x 3/4 in. pan head phillips, almond head	1.97	2.37
8	470161	Screw, No.10 x 1 in. button head torx, almond head	1.97	2.37
11	473144	Orifice, reversing, Model No. 1200R	77.68	93.34
11	473145	Orifice, Model No. 500, 700, 900, 1200, 1200C	77.72	93.39
12	473121	Drier, Model No. 500, 700, 900, 1200, 1200C	144.29	173.38
12	473139	Drier, reversible, Model No. 1200R	428.71	515.14
13	98219800	Bolt 5/16-18 x 1 in., SS	2.38	2.86
14	473416	Coil, water, Model No. 500	2674.45	3213.62
14	473417	Coil, water, Model No. 700, 900, 1200, 1200R, 1200C	3200.71	3845.97
15	473295	Washer, fender	1.97	2.37
16	473175	Switch, low pressure	173.67	208.68
17	473116	Compression fitting, water line, Model No. 500	43.64	52.44
17	473117	Compression fitting, water line, Model No. 700, 900, 1200, 1200R, 1200C	27.51	33.06
18	471566	Probe, Thermistor	81.89	98.40
19	071406	Nut, 1/4-20 hex SS	CALL	CALL
20	473605	Switch, water pressure	115.43	138.70
21	470137	Bracket, tie down	30.13	36.20
22	473381	Union, 2 in. PVC	42.50	51.07
23	473320	Manifold, water bypass w/ hartford loop, Model No. 700, 900, 1200, 1200R, 1200C	CALL	CALL
23	473424	Manifold, water bypass w/ hartford loop, Model No. 500	CALL	CALL

Item	Part No.	Description	US List	Can. List
24	473294	Bolt 5/16-18 x 1-3/4 4 in. SS	1.97	2.37
26	473412	Panel, front right, Model No. 500, 700	308.32	370.48
26	473431	Panel, front right, Model No. 900, 1200, 1200R, 1200C	351.18	421.98
27	470419	Panel, front left, w/ decal, Model No. 500, 700	CALL	CALL
27	470434	Panel, front left, w/ decal, Model No. 900, 1200, 1200R, 1200C	CALL	CALL
28	470281	Nut, U-clip	3.90	4.69
29	470284	Nut, J-clip	4.68	5.62
30	R172305	Valve, check	CALL	CALL
31	473172	Switch, high pressure	173.67	208.68
34	473693	Bezel, control board w/ label	266.30	319.99
35	472734	Control board assembly	665.75	799.97
36	473422	Wire harness, fan & compressor terminal block	127.22	152.87
37	473155	Transformer	246.97	296.76
38	473423	Wire harness, main	123.19	148.03
39	473150	Relay, fan	169.01	203.08
40	473149	Contacto	262.42	315.32
41	470146	Capacitor	125.50	150.80
42	473315	Wire harness, sensor terminal block	155.33	186.64
<b>NOT SHOWN</b>				
	473606	Rubber boot cover for water pressure switch	10.09	12.12
	473135	Reversing valve w/ coil, Model No. 1200R	CALL	CALL
	473136	Solenoid, reversing, Model No. 1200R <sup>1</sup>	CALL	CALL
	473432	Coil for reversing valve <sup>2</sup>	317.43	381.42
	473035	RotoLock Hi Side with Gasket	137.48	165.20
	473034	RotoLock Lo Side with Gasket	137.48	165.20

<sup>1</sup> For unit manufactured before 9-1-05.

<sup>2</sup> For units manufactured after 9-1-05.

### CALIFORNIA PROPOSITION 65 WARNING

 **WARNING:** Cancer and Reproductive Harm.  
 **AVERTISSEMENT:** Peut Causer le Cancer et des Dommages au Système Reproducteur.  
 **ADVERTENCIA:** Cáncer y Daño Reproductivo.  
[www.p65warnings.ca.gov](http://www.p65warnings.ca.gov)

PH200714A