

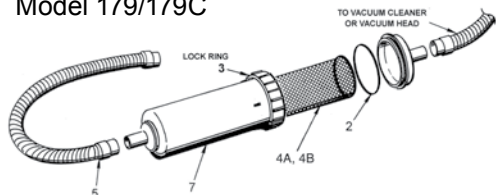
MAINTENANCE & SAFETY EQUIPMENT

Product Catalog 2024

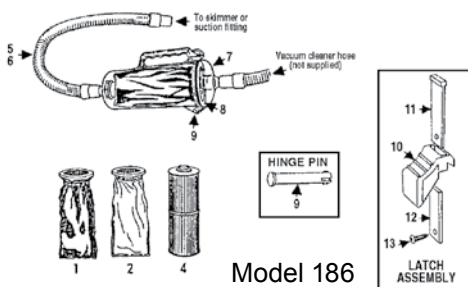
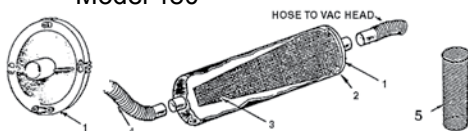
LEAF TRAPS - MODELS 179/179C, 180 & 186

REPLACEMENT PARTS

Model 179/179C



Model 180



Model 186



360476

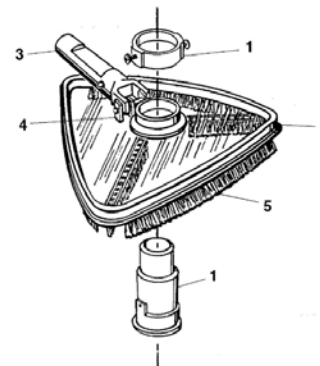
CALIFORNIA PROPOSITION 65 WARNING
 ⚠️ **WARNING:** Cancer and Reproductive Harm.
 ⚠️ **AVERTISSEMENT:** Peut Causer le Cancer et des Dommages au Système Reproducteur.
 ⚠️ **ADVERTENCIA:** Cáncer y Daño Reproductivo.
www.p65warnings.ca.gov P# 201514

Item	Part No.	Description	US List	Can.List
Model 179/179C				
2	R172223Z	O-ring No. 360	5.45	6.55
3	R172214	Lock ring	27.08	32.54
4	R211516	Std. mesh bag No. 179	20.72	24.90
4A	R211536	Canvas bag No. 179 and No. 186	58.01	69.70
4B	R211518	Sand/silt bag No. 179 and No. 186	41.00	49.27
5	R211256	3 ft. Flexible vacuum hose	35.84	43.07
Product No. : R211016				
Model No. : 180				
Description: Leaf Trap				
1	R211206	Lid No. 171	20.55	24.69
2	R18608	O-ring No. 256	13.36	16.05
3	R211216	Std. mesh bag No. 180	17.15	20.61
4	R211256	3 ft. flexible vacuum hose	35.84	43.07
Product No. : R211084 R211086 R211092 R211094				
Model No. : 186-A 186-B 186-C 186-D				
Description: Leaf Trap Leaf Trap Leaf Trap Leaf Trap				
1	R211516	Std. mesh bag No. 179	20.72	24.90
2	R211536	Canvas bag No. 179, No. 186	58.01	69.70
2A	R211518	Sand/silt bag	41.00	49.27
4	R172653	25 sq. ft. cartridge w/ plug	65.46	78.66
4A	R172654	50 sq. ft. cartridge w/ plug	113.53	136.42
5	R211256	3 ft. of 1-1/2 in. vacuum hose	35.84	43.07
6	R211260	3 ft. of 2 in. vacuum hose	51.03	61.32
7	R18650	Lid only 1-1/2 in.	44.00	52.87
7A	R18651	Lid only 2 in.	47.09	56.58
8	R172223Z	O-Ring	5.45	6.55
9	R18654	Hinge pin	2.24	2.69
10	R18648	Latch handle	8.82	10.60
11	R18655	Spring latch	2.24	2.69
12	R18656	Retainer spring latch	2.24	2.69
13	R01045	Screw No. 6 x 1/2 in.	2.24	2.69
13	R211600	Latch & O-ring kit (includes No. 8 through No. 13)	14.51	17.44
14	R18680	2 in. Canister & handle only	156.00	187.45
14A	R18682	1-1/2 in. Canister & handle only	156.00	187.45
Product No: 360476 Leaf Trap				
1	371208	Main body	77.89	93.59
2	371252	Lid	38.94	46.79
3	371253	Rubber seal	27.25	32.74
4	371254	Clasp	38.94	46.79
5	371255	Internal basket	38.94	46.79

CLEAR VIEW VACUUM - MODEL 196

REPLACEMENT PARTS

Item	Part No.	Description	US List	Can. List
Product No. : R201032 R201034				
Model No. : 196 196LW				
Description: CLEAR VIEW VACUUM				
1	R03183	Swivel hose connector parts kit	16.48	19.80
2	R03132	Vinyl replacement bumper	8.80	10.57
3	R201476	No. 192 Snap adapt handle	7.80	9.37
4	R03101Z	2-1/4 in. connecting pin	3.09	3.71
5	R201540	Replacement brushes	25.32	30.42



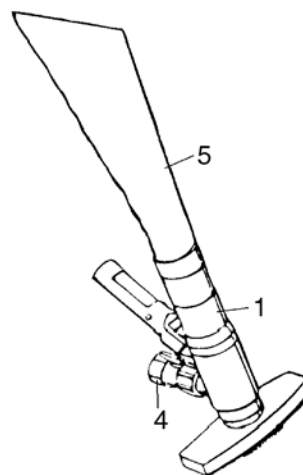
CALIFORNIA PROPOSITION 65 WARNING
 ⚠️ **WARNING:** Cancer and Reproductive Harm.
 ⚠️ **AVERTISSEMENT:** Peut Causer le Cancer et des Dommages au Système Reproducteur.
 ⚠️ **ADVERTENCIA:** Cáncer y Daño Reproductivo.
www.p65warnings.ca.gov PN320194

Product on page 206.

MINI VAC - MODEL 204

REPLACEMENT PARTS

Item	Part No.	Description	US List	Can. List
Product No. : R201146				
Model No. : 204				
Description: MINI VAC®				
5	R201696	Replacement bag	12.94	15.55
5A	R201718	Replacement bags, 2 per bubble pack	31.60	37.97
Opt.	R201716	Silt socks, 3 per bubble pack	13.60	16.34

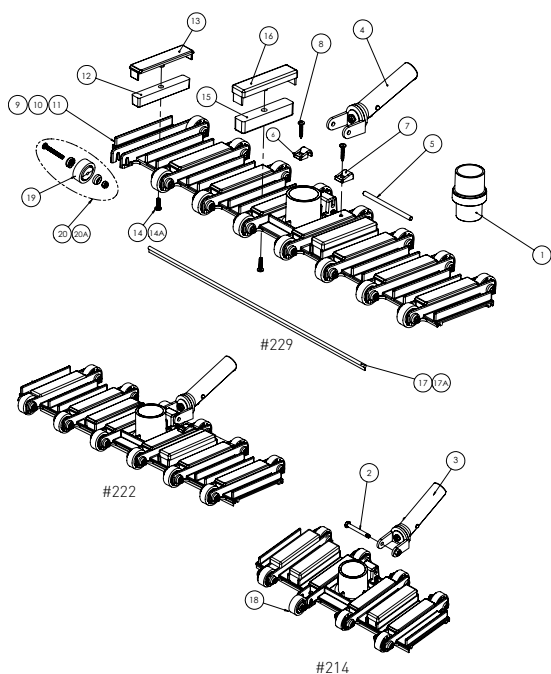


CALIFORNIA PROPOSITION 65 WARNING
 ⚠️ **WARNING:** Cancer and Reproductive Harm.
 ⚠️ **AVERTISSEMENT:** Peut Causer le Cancer et des Dommages au Système Reproducteur.
 ⚠️ **ADVERTENCIA:** Cáncer y Daño Reproductivo.
www.p65warnings.ca.gov PN320194

Product on page 208.

PROVAC® VACUUM - MODEL 214R, 222R, 214, 222, 229

REPLACEMENT PARTS



Item	Part No.	Description	US List	Can. List
Product No. : R201270 R201276 R201286 R201290 R201296				
Model No. : 214R 214 222 222R 229				
Description: PROVAC FLEXIBLE VACUUM				
1	R201566	Hose swivel adapter	6.70	8.05
2	R201496	Stainless steel nut & bolt for handle (No. 214, No. 214R & No. 222R)	2.80	3.36
3	R201476	No. 192 Snap-adapt handle (No. 214R, No. 222R)	7.80	9.37
4	R201408	No. 152 Metal swivel handle (No. 214, No. 222 & No. 229)	50.25	60.38
5	R03161	Stainless steel shaft (No. 222 & No. 229)	10.08	12.11
6	R03087	Left shaft retainer	2.24	2.69
7	R03088	Right shaft retainer	2.24	2.69
8	R01023	Screw, shaft retainer	2.24	2.69
9	R03152	Flexible body only (No. 214)	12.58	15.12
10	R03153	Flexible body only (No. 222)	36.54	43.91
11	R03154	Flexible body only (No. 229)	44.23	53.15
12	R02006	Lead only	9.07	10.90
13	R03128	Lead cover only	2.30	2.76
14	R01074	Screw, lead cover 5/8 in.	CALL	CALL
14A	R01075	Screw, lead cover 3/4 in.	2.24	2.69
15	R02009	Lead, large only	18.86	22.66
16	R03160	Lead cover, large only	8.82	10.60
17	R201776	White flex strip, short leg, 5 ft. bubble pack	10.10	12.14
17A	R201778	Blue flex strip, long leg, 5 ft. bubble pack	12.98	15.60
18	R03021Z	No. 174 Solid plastic wheel (No. 214R, No. 222R)	2.79	3.35
19	R201557Z	No. 175 Ball bearing polyurethane wheel	11.45	13.76
20	R201456	Axle assembly, does not include wheel (No. 214R, No. 222R)	4.75	5.71
20A	R201458	Axle assembly, does not include wheel (No. 214, No. 222, No. 229)	2.20	2.64

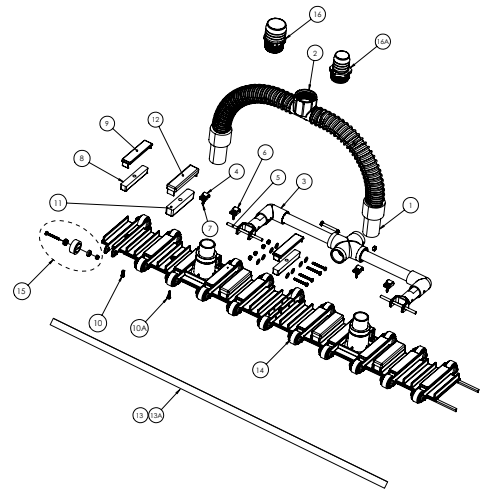
CALIFORNIA PROPOSITION 65 WARNING

⚠ **WARNING:** Cancer and Reproductive Harm.
 ⚠ **AVERTISSEMENT:** Peut Causer le Cancer et des Dommages au Système Reproducteur.
 ⚠ **ADVERTENCIA:** Cáncer y Daño Reproductivo.
www.p65warnings.ca.gov

SUPER PROVAC® VACUUM - MODEL 241

REPLACEMENT PARTS

Item	Part No.	Description	US List	Can. List
Product No. : R201298				
Model No. : 241				
Description: SUPER PROVAC FLEXIBLE VACUUM				
1	R201566	Hose swivel adapter	6.70	8.05
2	R201756	Manifold assembly	92.34	110.96
3	R201780	Handle joining assembly	131.17	157.61
4	R03087	Left shaft retainer	2.24	2.69
5	R03161	SS shaft	10.08	12.11
6	R03088	Right shaft retainer	2.24	2.69
7	R01023	Screws, shaft retainer	2.24	2.69
8	R02006	Lead only	9.07	10.90
9	R03128	Lead cover only	2.30	2.76
10	R01074	Screws, lead cover 5/8 in.	CALL	CALL
10A	R01075	Screws, lead cover 3/4 in.	2.24	2.69
11	R02009	Lead, large only	18.86	22.66
12	R03160	Lead cover, large only	8.82	10.60
13	R201776	White flex strip, short leg, 5 ft. bubble pack	10.10	12.14
13A	R201778	Blue flex strip, long leg, 5 ft. bubble pack	12.98	15.60
14	R201557Z	No. 175 Ball bearing polyurethane wheel	11.45	13.76
15	R201458	Axle assembly, does not include wheel	2.20	2.64
16	R03120	2 in. Insert male adapter	32.09	38.56
16A	R03121	1-1/2 in. Insert male adapter	11.20	13.46



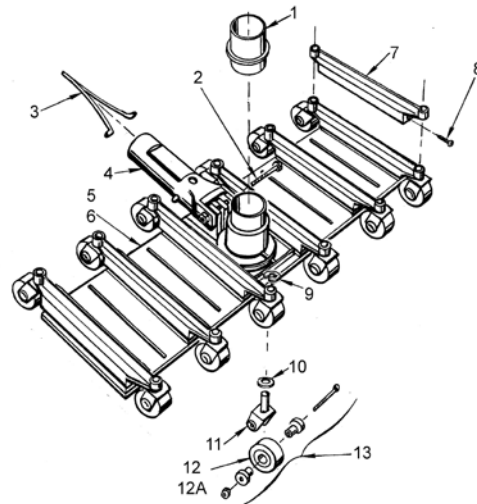
CALIFORNIA PROPOSITION 65 WARNING
 ⚠️ **WARNING:** Cancer and Reproductive Harm.
 ⚠️ **AVERTISSEMENT:** Peut Causer le Cancer et des Dommages au Système Reproducteur.
 ⚠️ **ADVERTENCIA:** Cáncer y Daño Reproductivo.
www.p65warnings.ca.gov PH 20171A

Product on page 207.

SWIVEL WHEEL FLEXIBLE VACUUMS - MODELS 250, 252

REPLACEMENT PARTS

Item	Part No.	Description	US List	Can. List
Product No. : R201126 R201136				
Model No. : 250 252				
Description: SWIVEL WHEEL FLEXIBLE VACUUM				
1	R201566	Hose swivel adapter	6.70	8.05
2	R201496	SS bolt and nut for handle	2.80	3.36
3	R22001Z	Spring clip w/High Performance Acetal Resin No. 170	2.93	3.52
4	R201476	Snap adapt handle w/ delrin clip No. 192	7.80	9.37
5	R03012	Flexible base 19 in. model No. 250	53.42	64.19
6	R03013	Flexible base 14 in. model No. 252	CALL	CALL
7	R03032	Caster support No. 265 ¹	8.82	10.60
8	R01023	Lead retainer screw ¹	2.24	2.69
9	R03058	SS retainer clip No. 267 ¹	8.82	10.60
10	R201626	Wheel adjustment washers No. 266 ¹	3.69	4.43
11	R03026	Swivel caster No. 263 ¹	8.82	10.60
12	R03021Z	Solid plastic wheel model No. 252 ¹	2.79	3.35
12A	R03022	Solid polyurethane wheel model No. 250 ¹	5.53	6.64
13	R201606	Axle assembly (less wheel) No. 264 ¹	4.95	5.95
13	R201500	No. 250 Replacement kit, (4 each) No. 177 wheels, No. 263 casters, No. 264 axle assembly, No. 267 clips, bubble pack card	32.73	39.33
13	R201451	No. 250 Replacement kit, (4 each) No. 174 wheels, No. 263 casters, No. 264 axle assembly, No. 267 clips, bubble pack card	22.19	26.66



¹ Parts fit Model No. 215 Swivel wheel commercial vacuum.

CALIFORNIA PROPOSITION 65 WARNING
 ⚠️ **WARNING:** Cancer and Reproductive Harm.
 ⚠️ **AVERTISSEMENT:** Peut Causer le Cancer et des Dommages au Système Reproducteur.
 ⚠️ **ADVERTENCIA:** Cáncer y Daño Reproductivo.
www.p65warnings.ca.gov PH 20171A

Product on page 207.

VACUUM HEAD PARTS



Product No.	Model No.	Description	Pack Qty.	Carton Wt. (Lbs.)
WHEELS				
174 SOLID MOLDED WHEEL FITS ALL VACUUMS 1-3/8 IN. WHITE WITH 3/8 IN. HOLE				
R03021Z	174	Molded wheel	1	
R201426	174	4 per card, bubble pack	12	2
177 POLYURETHANE DELUXE WHEEL 1-3/8 IN. TRANSLUCENT WITH 3/8 IN. HOLE				
R03022	177	Wheel	1	
R201446	177	4 per card, bubble pack	12	2
175 BALL BEARING WHEEL 1-3/8 IN. DIAMETER WITH 3/8 IN. HOLE, LONG WEARING POLYURETHANE WHEEL WITH DELRIN® INNER RACE AND STAINLESS STEEL BALLS				
R201557Z	175	Ball bearing	1	
R201558	175	4 per card, bubble pack	12	2
178 AXLE ASSEMBLY FOR No. 188, No. 200, No. 201, No. 188-20, No. 214R AND No. 222R				
R201456	178	Axle assembly	1	
R201466	178	4 sets per card, bubble pack	12	2
176 AXLE ASSEMBLY. FOR No. 203				
R201470	176	Axle assembly	1	
R201472	176	4 sets per card, bubble pack	12	2
REPLACEMENT KITS				
R201498	203	Replacement kit, No. 174 wheels, No. 176 axle assembly (4 each) bubble pack	12	
R201500	250	Replacement kit, (4 each) No. 177 wheels, No. 263 casters, No. 264 axle assembly, No. 267 clips, bubble pack	12	
R201451	252	Replacement kit, (4 each) No. 174 wheels, No. 263 casters, No. 264 axle assembly, No. 267 clips, bubble pack	12	
152 METAL SWIVEL VACUUM HANDLE. POLISHED CHROME FINISH. SNAP-ADAPT. FITS MOST VACS.				
R201408	152	Metal swivel handle	1	
R201409	152	1 per card, bubble pack.	12	
FLEX STRIPS FOR PROVAC MODELS				
R201776		White, bubble pack	12	
R201778		Blue, bubble pack	12	

Product No.	Model No.	Description	Pack Qty.	Carton Wt. (Lbs.)
154 METAL ONE PIECE HANDLE. POLISHED CHROME FINISH. SNAP-ADAPT. FITS MOST VACS.				
R201421	154	Metal handle	1	
R201420	154	1 per card, bubble pack	12	
192 SNAP-ADAPT HANDLE. TOUGH ABS WITH DELRIN® SPRING CLIP. FITS ALL VACS AND TELEPOLES.				
R201476	192	Snap adapt handle	1	
R201486	192	1 per card, bubble pack	12	2
R201492	192	With 2-1/4 in. pin, bubble pack	12	2
R201490	192	With 1-3/4 in. pin, bubble pack	12	2
170 DELRIN SPRING CLIP				
R22001Z	170	170 Spring clip	1	
R201556	170	3 per card, bubble pack	12	2
190 STAINLESS STEEL NUT & BOLT.				
R201496	190	For handle mounting	1	
HANDLE CONNECTION PINS				
R03086		1-3/4 in. long, For No. 193 Vac, No. 615	1	
R03101Z		2-1/4 in. long, For No. 185, No. 196, No. 198, No. 201, No. 203	1	
STAINLESS STEEL SPRING				
R03099		For No. 198, No. 201, No. 203	1	
MANIFOLD ASSEMBLY				
R201756		For No. 207, No. 215, No. 241	1	
HANDLE JOINING ASSEMBLY				
R201766		For No. 207, No. 215	1	
R201780		For No. 241	1	
REPLACEMENT BRUSHES				
R201526	193R	For No. 193, bubble pack	7	4
R201536	194R/195R	For No. 194 and No. 195, bubble pack	12	4
R201540	196R	For No. 196, bubble pack	12	
R201302	198R	For No. 198, bubble pack	12	4
PROVAC II WHEELS				
200086		Replacement Wheel Kit (4 per kit)		

CALIFORNIA PROPOSITION 65 WARNING

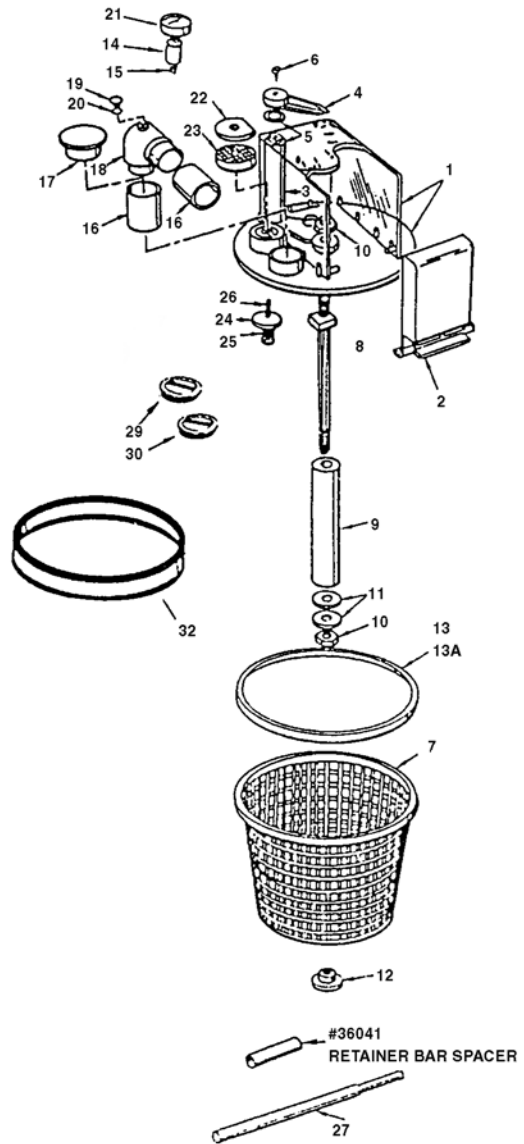
⚠️ **WARNING:** Cancer and Reproductive Harm.
 ⚠️ **AVERTISSEMENT:** Peut Causer le Cancer et des Dommages au Système Reproducteur.
 ⚠️ **ADVERTENCIA:** Cáncer y Daño Reproductivo.

www.p65warnings.ca.gov. PN 2017A

VAC-MATE® VACUUM/SKIMMER

REPLACEMENT PARTS

Item	Part No.	Qty.	Description	US List	Can. List
Product No. : R211100 Description: MULTIFUNCTION VACUUM SKIMMER ATTACHMENT					
1	R36026	1	Top housing & plate assembly (large) R211100	92.50	111.15
2	R36027	1	Weir assembly	8.80	10.57
3	R36028	1	Control shaft assembly	8.80	10.57
4	R36013	1	Control handle	8.82	10.60
5	R36022	2	Thrust washer	2.24	2.69
6	R01045	1	Control handle screw	2.24	2.69
7	R36009	1	Debris basket only R211100	20.31	24.40
8	R36017	1	Basket shaft R211100-5 1/2 in.	8.82	10.60
9	R36003	1	Lead weight	12.36	14.85
10	R01066	2	Hex nut 3/8-16	2.24	2.69
11	R36016	2	Spacer washer	2.30	2.76
12	R36024	1	Knob	8.82	10.60
13	R36002	1	Gasket, large, fits R36009 basket	8.34	10.02
13A	R36025	1	Gasket, Hayward style basket	8.36	10.05
14	R172204	1	Coupling, vacuum gauge R211101	CALL	CALL
15	R172050	1	Nipple, vacuum gauge R211101	CALL	CALL
16	R36030Z	2	Cuff	8.80	10.57
17	R36019	1	Cap plug	8.82	10.60
18	R36031	1	90° elbow	11.63	13.97
19	R172392	1	Plug 1/4 in. MPT	8.82	10.60
20	R172393	1	O-ring for R172392 plug	8.82	10.60
21	R36006	1	Vacuum gauge	57.11	68.62
22	R36023	1	Anti-Vortex plate	8.82	10.60
23	R36020	1	By-pass screen	8.82	10.60
24	R36018	1	Disc, by-pass	8.82	10.60
25	R36004	1	Spring, by-pass	8.82	10.60
26	R36021	1	Adjustment screw	2.24	2.69
27	R36033	1	Retainer bar, long, R211100	11.00	13.22
29	R22011	1	Threaded plug 2 in.	7.21	8.66
30	R22010Z	1	Threaded plug 1-1/2 in.	6.36	7.64
32	R36046	2	Gasket, Baker Hydro ring	9.12	10.96



CALIFORNIA PROPOSITION 65 WARNING
 ⚠️ WARNING: Cancer and Reproductive Harm.
 ⚠️ AVERTISSEMENT: Peut Causer le Cancer et des Dommages au Système Reproducteur.
 ⚠️ ADVERTENCIA: Cáncer y Daño Reproductivo.
www.p65warnings.ca.gov P#202174

