

# PUMP PARTS

Product Catalog 2024

# INTELLIFLO® & INTELLIPRO® PUMP DRIVE PART NUMBER HISTORY

## REPLACEMENT PARTS

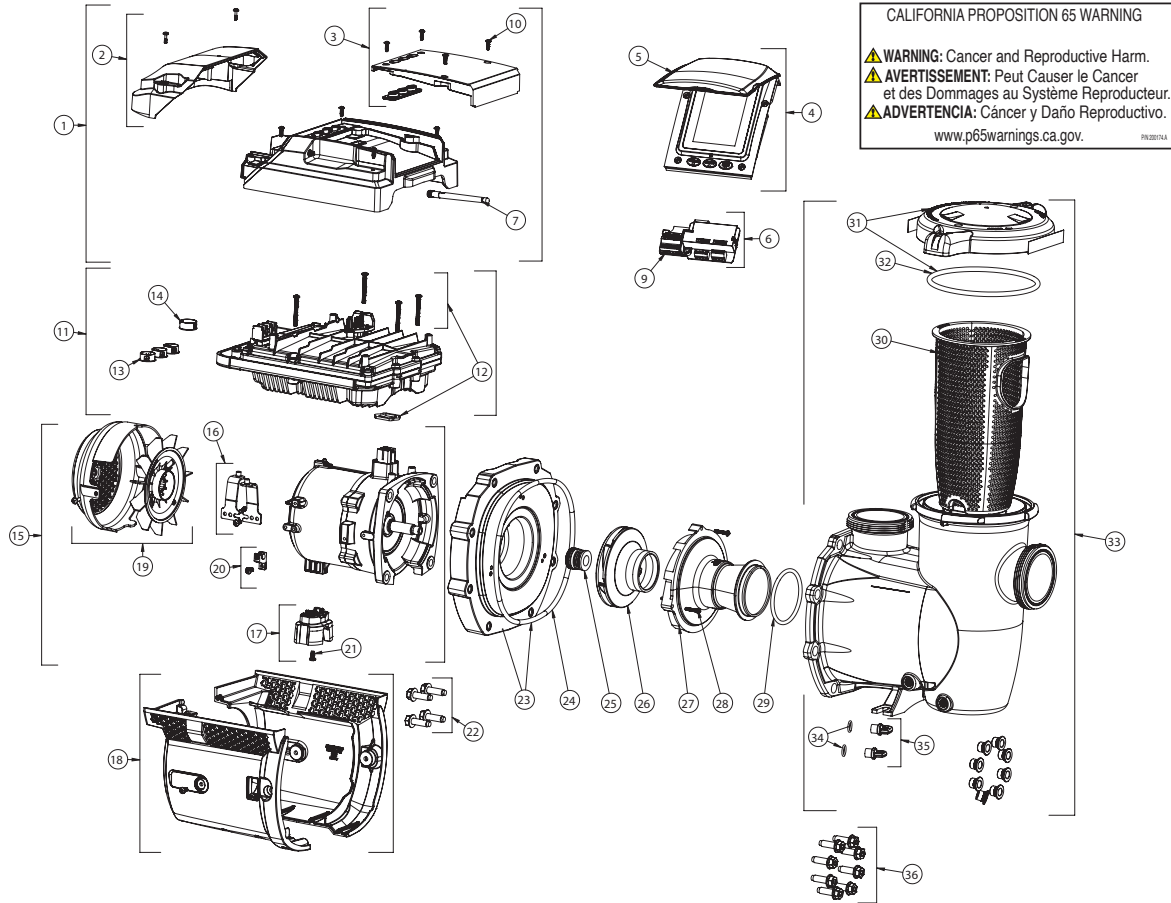
NOTE: The table below lists original drive kit part numbers and active replacement parts for the IntelliFlo and IntelliPro family pump product lines.

| Pump Part No.                              | Pump Name                          | Pump Obsolete? | Original Drive Kit | Original Drive Available? | Current Drive Part No. | Current Keypad Part No. | Current Drive Kit |
|--|------------------------------------|----------------|--------------------|---------------------------|------------------------|-------------------------|-------------------|
| <b>IntelliFlo Family Pump Product Line</b> |                                    |                |                    |                           |                        |                         |                   |
| 011008                                     | IntelliFlo i1 <i>original</i>      | Yes            | 353251             | No                        | 356878Z                | 357527Z                 | 356879Z           |
| 011009                                     | IntelliFlo i2 <i>original</i>      | Yes            | 353251             | No                        | 356878Z                | 357527Z                 | 356879Z           |
| 011018                                     | IntelliFlo VS <i>original</i>      | Yes            | 353251             | No                        | 356878Z                | 357527Z                 | 356879Z           |
| 011017                                     | IntelliFlo VS+SRVS <i>original</i> | Yes            | 351021             | No                        | 356910Z                | 357527Z                 | 356911Z           |
| 011012                                     | IntelliFlo VF                      | Yes            | 350721             | No                        | 356880Z                | 357527Z                 | 356944Z           |
| 011059                                     | IntelliFlo i1                      | No             | 356879Z            | Yes                       | 356878Z                | 357527Z                 | 356879Z           |
| 011060                                     | IntelliFlo i2                      | No             | 356879Z            | Yes                       | 356878Z                | 357527Z                 | 356879Z           |
| 011055                                     | IntelliFlo 2 VST                   | Yes            | 356879Z            | Yes                       | 356878Z                | 357527Z                 | 356879Z           |
| 011028                                     | IntelliFlo VS                      | No             | 356879Z            | Yes                       | 356878Z                | 357527Z                 | 356879Z           |
| 011057                                     | IntelliFlo VS+SVRS                 | No             | 356911Z            | Yes                       | 356910Z                | 357527Z                 | 356911Z           |
| 011056                                     | IntelliFlo VSF                     | No             | 356922Z            | Yes                       | 356944Z                | 357527Z                 | 356971Z           |
| 022005                                     | IntelliFloXF VS <i>original</i>    | Yes            | 353251             | No                        | 356878Z                | 357527Z                 | 356879Z           |
| 022055                                     | IntelliFloXF VS                    | No             | 356879Z            | Yes                       | 356878Z                | 357527Z                 | 356879Z           |
| 022056                                     | IntelliFloXF VSF                   | No             | 357521Z            | Yes                       | 356896Z                | 357527Z                 | 357521Z           |
| <b>IntelliPro Family Pump Product Line</b> |                                    |                |                    |                           |                        |                         |                   |
| P6E6VS4H-209L                              | IntelliPro VS                      | No             | 353252             | No                        | 356892Z                | 358527Z                 | 356893Z           |
| P6E6XS4H-209L                              | IntelliPro VS+SVRS <i>original</i> | Yes            | 353250             | No                        | 356912Z                | 358527Z                 | 356913Z           |
| 013001                                     | IntelliPro 2 VST                   | Yes            | 356893Z            | Yes                       | 356892Z                | 358527Z                 | 356893Z           |
| 013002                                     | IntelliPro VS+SVRS                 | No             | 356913Z            | Yes                       | 356912Z                | 358527Z                 | 356913Z           |
| 013004                                     | IntelliPro VSF                     | No             | 353141Z            | Yes                       | 356657Z                | 358527Z                 | 353141Z           |
| 023005                                     | IntelliProXF VS <i>original</i>    | Yes            | 353252             | No                        | 356892Z                | 358527Z                 | 356893Z           |
| 023055                                     | IntelliProXF VS                    | No             | 356893Z            | Yes                       | 356892Z                | 358527Z                 | 356893Z           |
| 023056                                     | IntelliProXF VSF                   | No             | 352032Z            | Yes                       | 356898Z                | 358527Z                 | 352032Z           |

CALIFORNIA PROPOSITION 65 WARNING  
 ⚠️ **WARNING:** Cancer and Reproductive Harm.  
 ⚠️ **AVERTISSEMENT:** Peut Causer le Cancer et des Dommages au Système Reproducteur.  
 ⚠️ **ADVERTENCIA:** Cáncer y Daño Reproductivo.  
[www.p65warnings.ca.gov](http://www.p65warnings.ca.gov) P650174-1

# INTELLIFLO3® 3 HP

## VARIABLE SPEED AND FLOW POOL PUMP REPLACEMENT PARTS

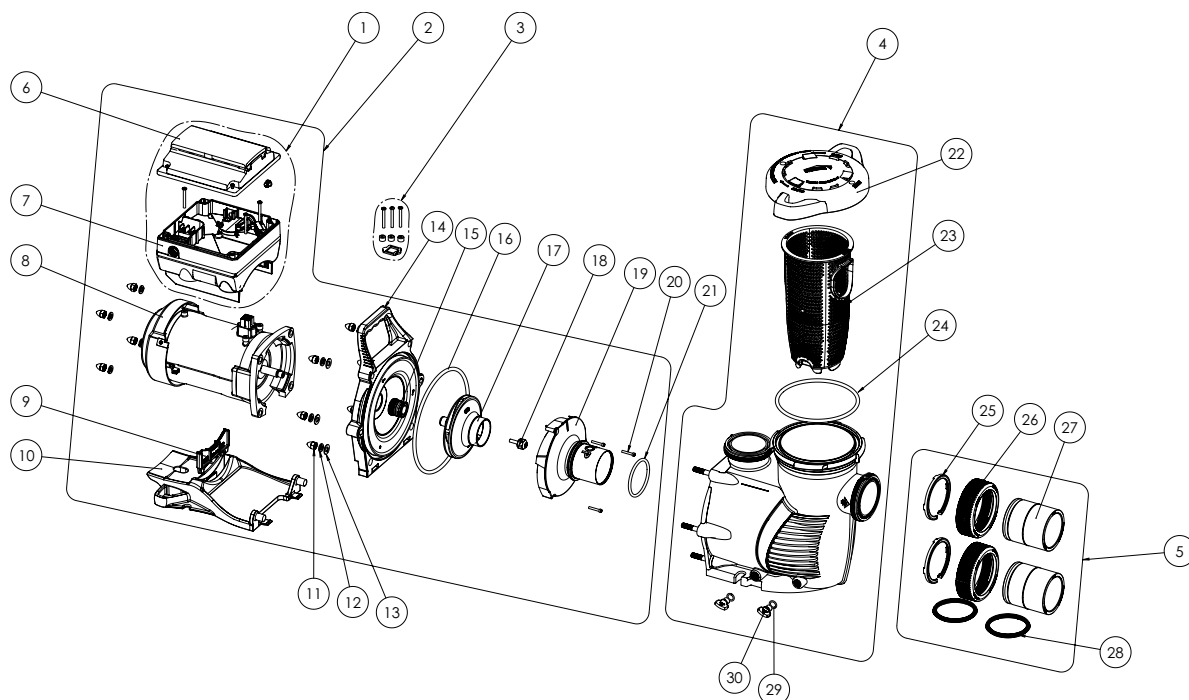


| Item          | Part No. | Description                          | US List | Can. List |
|---------------|----------|--------------------------------------|---------|-----------|
| <b>SYSTEM</b> |          |                                      |         |           |
| 1             | 356214z  | Drive Cover Assembly                 | 415.89  | 499.73    |
| 2             | 356096z  | Field Wiring Compartment Kit         | 41.59   | 49.97     |
| 3             | 356101z  | Blank Controller Kit                 | 41.11   | 49.40     |
| 4             | 356159z  | Touchscreen Controller Kit           | 600.83  | 721.96    |
| 5             | 356099z  | Touchscreen Lid                      | 31.45   | 37.79     |
| 6             | 356365z  | Relay Control Board Kit              | 358.78  | 431.11    |
| 7             | 356226z  | Antenna                              | 17.19   | 20.66     |
| 9             | 8023306  | 6-Pin Connector, Relay Control Board | CALL    | CALL      |
| 10            | 356215z  | Controller Screw (x4)                | 6.41    | 7.70      |
| 11            | 356163z  | Drive and Drive Hardware Kit         | 1759.53 | 2114.25   |
| 12            | 357865   | Drive Hardware Kit                   | 19.20   | 23.07     |
| 13            | 356219z  | 7/8" Plug, Drive (x3)                | 7.45    | 8.95      |
| 14            | 356320z  | 1" Bushing, Low Voltage, Drive       | 7.45    | 8.95      |
| 15            | 356165s  | Motor Kit                            | 1279.66 | 1537.64   |
| 16            | 356167z  | Motor Bracket Kit                    | 16.00   | 19.23     |
| 17            | 356149z  | Motor Foot Kit                       | 11.20   | 13.46     |
| 18            | 357869   | Motor Shroud Kit                     | 95.97   | 115.32    |
| 19            | 357866z  | Motor Fan Kit                        | 63.99   | 76.89     |
| 20            | 356166z  | Bonding Lug                          | 14.19   | 17.05     |
| 21            | 356221z  | Motor Foot Screw                     | 4.46    | 5.36      |
| 22            | 074165z  | Motor Bolts (x4)                     | 17.91   | 21.52     |

| Item             | Part No. | Description                           | US List | Can. List |
|------------------|----------|---------------------------------------|---------|-----------|
| 23               | 356091z  | Seal Plate Kit                        | 143.96  | 172.98    |
| 24               | 356173z  | Seal Plate O-ring                     | 11.51   | 13.83     |
| 25               | 356210s  | Shaft Seal                            | 49.29   | 59.23     |
| 26               | 356177z  | Impeller                              | 79.97   | 96.09     |
| 27               | 356156z  | Diffuser                              | 79.97   | 96.09     |
| 28               | 356213z  | Diffuser Screws (x3)                  | 10.87   | 13.06     |
| 29               | 356190z  | Diffuser O-ring                       | 5.95    | 7.15      |
| 30               | 400007z  | Strainer Basket                       | 53.43   | 64.20     |
| 31               | 356172z  | Lid Assembly                          | 89.57   | 107.63    |
| 32               | 356189z  | Lid O-ring                            | 26.87   | 32.29     |
| 33               | 356175z  | Strainer Pot Kit                      | 399.90  | 480.52    |
| 34               | 192115z  | Drain Plug O-ring (x2)                | 3.90    | 4.69      |
| 35               | 071131z  | Drain Plug and O-ring (x2)            | 9.51    | 11.43     |
| 36               | 074164z  | Seal Plate-to-Strainer Pot Bolts (x8) | 29.87   | 35.89     |
| <b>NOT SHOWN</b> |          |                                       |         |           |
| —                | 8023304  | 4-Pin Connector, RS-485               | CALL    | CALL      |
| —                | 357872   | Seal Kit                              | 35.76   | 42.97     |
| —                | 410028   | 2" / 2.5" Union Kit                   | 84.77   | 101.86    |
| —                | 410029   | 3" Union Kit                          | 94.96   | 114.10    |
| —                | 410016z  | Union O-ring - Diamond Seal           | 18.28   | 21.97     |
| —                | 357833z  | Riser Plate Kit - Thin (A/B Base)     | 57.59   | 69.20     |

# INTELLIFLOX<sup>®</sup> VSF PUMP INTELLIFLOX<sup>®</sup> VS PUMP - AFTER AUGUST 2015

## REPLACEMENT PARTS



| Item                   | Part No.    | Description  | US List | Can. List |
|------------------------|-------------|--|---------|-----------|
| <b>INTELLIFLO PUMP</b> |             |  |         |           |
| 1                      | 357521Z     | Drive Kit (VSF model)                                    | CALL    | CALL      |
| 1                      | 356879Z     | Drive Kit (VS model)                                     | 2207.96 | 2653.08   |
| 2                      | 400655Z     | Power End Kit (VS model)                                 | 3984.88 | 4788.23   |
| 3                      | 355685      | Drive Hardware Kit                                       | 167.05  | 200.73    |
| 4                      | 400000      | Wet End Assembly   | 485.54  | 583.42    |
| 5                      | 410020      | Union Kit w/o Tap  | 221.19  | 265.78    |
| 6                      | 357527Z     | Keypad Assembly Kit                                      | 527.74  | 634.13    |
| 7                      | 356896Z     | Drive (VSF model)  | CALL    | CALL      |
| 7                      | 356878Z     | Drive (VS model)   | CALL    | CALL      |
| 8                      | 350305S     | Motor  | CALL    | CALL      |
| 9                      | 070929      | Motor Support Insert                                     | 29.73   | 35.72     |
| 10                     | 400004Z     | Motor Base   | 59.26   | 71.21     |
| 11                     | 071413      | Acorn Nut (Qty. 10)                                      | 1.87    | 2.25      |
| 12                     | U43-12SS    | Lock Washer (Qty. 10)                                    | 4.14    | 4.97      |
| 13                     | 072184      | Flat Washer (Qty. 6)                                     | 2.38    | 2.86      |
| 14                     | 400002      | Seal Plate   | 320.90  | 385.59    |
| 15                     | 17351-0101S | Mechanical Seal  | 40.29   | 48.41     |
| 16                     | 351446Z     | Seal Plate O-Ring  | CALL    | CALL      |
| 17                     | 400015Z     | Impeller assembly (includes screw and washer)            | 195.58  | 235.01    |
| 18                     | 37337-6080  | Impeller Screw, Plastic-Head (pumps mfg. before 10/7/19) | 29.74   | 35.74     |
| 18                     | 356073      | Impeller Screw, Metal-Head (pumps mfg. after 10/7/19)    | 11.64   | 13.99     |
| 19                     | 400010      | Diffuser   | 140.43  | 168.74    |

| Item | Part No.    | Description                         | US List | Can. List |
|------|-------------|-------------------------------------|---------|-----------|
| 20   | 353323      | Diffuser Screws                     | 5.06    | 6.08      |
| 21   | 350336Z     | Diffuser O-Ring                     | CALL    | CALL      |
| 22   | 400006      | Lid/Locking Ring Assembly           | 85.44   | 102.66    |
| 23   | 400007Z     | Strainer Basket                     | 53.43   | 64.20     |
| 24   | 35505-1440Z | Lid/Locking Ring O-Ring             | CALL    | CALL      |
| 25   | 410001      | 2.5" C-Clip Locking Ring (Qty. 2)   | 10.83   | 13.01     |
| 26   | 411000      | 2.5" Union Nut (Qty. 2)             | 29.72   | 35.71     |
| 27   | 410002      | 2.5" Union Adapter w/o Tap (Qty. 2) | 51.26   | 61.59     |
| 28   | 410016Z     | 2.5" Diamond Seal Kit (Qty. 2)      | 18.28   | 21.97     |
| 29   | 192115Z     | Drain Plug O-Ring (Qty. 2)          | 3.90    | 4.69      |
| 30   | 071131Z     | Drain Plug (2 req.)                 | 9.51    | 11.43     |

| <b>NOT SHOWN</b> |         |                            |        |        |
|------------------|---------|----------------------------|--------|--------|
|                  | 356904Z | Keypad Relocation Kit      | 114.71 | 137.84 |
|                  | 400031Z | Seal Plate w/Mech Seal     | 310.77 | 373.42 |
|                  | 350122Z | 50 Ft. Communication Cable | CALL   | CALL   |
|                  | 352401  | Motor Fan Kit              | 268.24 | 322.32 |
|                  | 072172  | Impeller screw washer      | 0.38   | 0.46   |

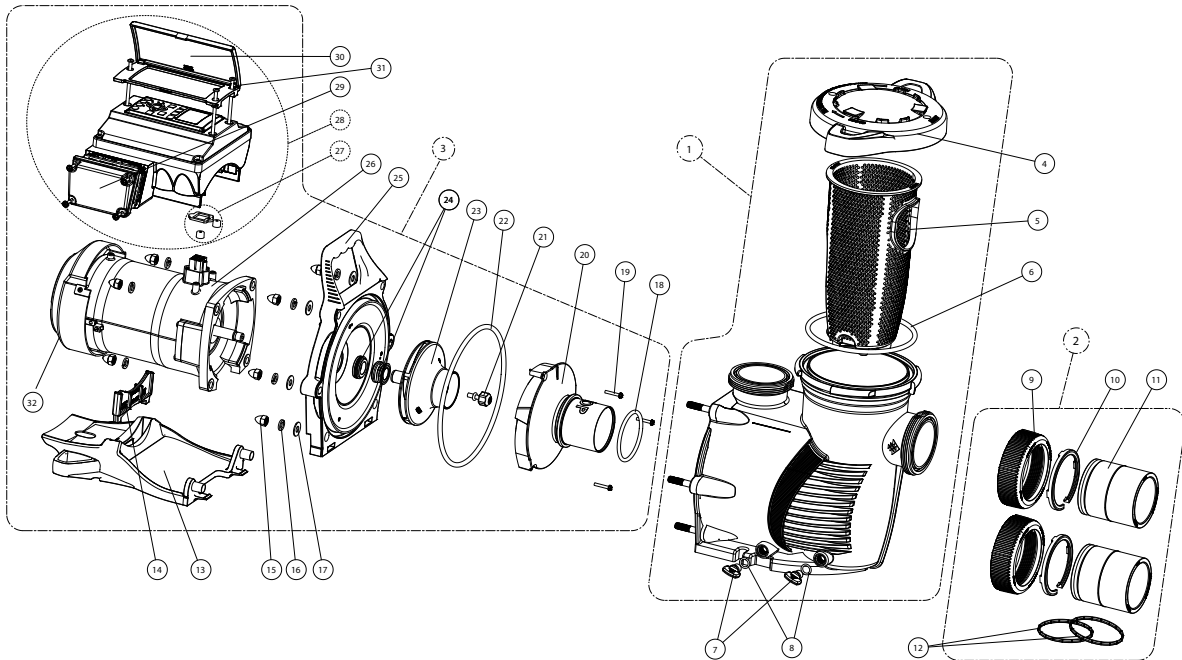
CALIFORNIA PROPOSITION 65 WARNING

⚠️ **WARNING:** Cancer and Reproductive Harm.  
 ⚠️ **AVERTISSEMENT:** Peut Causer le Cancer et des Dommages au Système Reproducteur.  
 ⚠️ **ADVERTENCIA:** Cáncer y Daño Reproductivo.

[www.p65warnings.ca.gov](http://www.p65warnings.ca.gov)

# INTELLIFLOXF® VARIABLE SPEED PUMP - BEFORE AUGUST 2015

## REPLACEMENT PARTS



| Item                     | Part No.    | Description                     | US List | Can. List |
|--------------------------|-------------|---------------------------------|---------|-----------|
| <b>INTELLIFLOXF PUMP</b> |             |                                 |         |           |
| 1                        | 400000      | Wet End Assembly                | 485.54  | 583.42    |
| 2                        | 410020      | Union Kit                       | 221.19  | 265.78    |
| 3                        | 400605Z     | Power End Assy w/ Drive & Motor | CALL    | CALL      |
| 4                        | 400006      | Lid/Locking Ring Assy           | 85.44   | 102.66    |
| 5                        | 400007Z     | XF Series Replacement Basket    | 53.43   | 64.20     |
| 6                        | 35505-1440Z | Lid/Locking Ring O-Ring         | CALL    | CALL      |
| 7                        | 071131Z     | Drain Plug (2 req.)             | 9.51    | 11.43     |
| 8                        | 192115Z     | Drain Plug O-ring (2 req.)      | 3.90    | 4.69      |
| 9                        | 411000      | 2.5 in. Union Nut               | 29.72   | 35.71     |
| 10                       | 410001      | 2.5 in. C-Clip Locking Ring     | 10.83   | 13.01     |
| 11                       | 410002      | 2.5 in. Union Adapter           | 51.26   | 61.59     |
| 12                       | 410016Z     | 2.5 in. Seal Kit - (Includes 2) | 18.28   | 21.97     |
| 13                       | 400004Z     | Motor Base                      | 59.26   | 71.21     |
| 14                       | 357160      | Motor Support Insert- Black     | 29.73   | 35.72     |
| 15                       | 071413      | Acorn Nut (each)                | 1.87    | 2.25      |
| 16                       | U43-12SS    | Split Lock Washer (each)        | 4.14    | 4.97      |
| 17                       | 072184      | Flat Washer (each)              | 2.38    | 2.86      |
| 18                       | 350336Z     | Diffuser O-ring                 | CALL    | CALL      |
| 19                       | 353323      | Diffuser Screw                  | 5.06    | 6.08      |
| 20                       | 400010      | Diffuser                        | 140.43  | 168.74    |

| Item             | Part No.    | Description  | US List | Can. List |
|------------------|-------------|--|---------|-----------|
| 21               | 37337-6080  | Impeller Screw, Plastic-Head (pumps mfg. before 10/7/19) | 29.74   | 35.74     |
| 22               | 351446Z     | Seal Plate O-Ring  | CALL    | CALL      |
| 23               | 400015Z     | Impeller assembly (includes screw and washer)            | 195.58  | 235.01    |
| 24               | 17351-0101S | Mechanical Seal Assembly                                 | 40.29   | 48.41     |
| 25               | 400002      | Seal Plate   | 320.90  | 385.59    |
| 26               | 350105S     | Motor Kit  | CALL    | CALL      |
| 27               | 350612      | Drive Hardware and Gasket Kit (includes item #31)        | 167.05  | 200.73    |
| 28               | 356879Z     | Variable Speed Drive Assy Kit                            | 2207.96 | 2653.08   |
| 29               | 350621      | Field Wiring Comp Kit w/ Gasket                          | 31.36   | 37.68     |
| 30               | 350601      | Control Cover Assy Kit (incl. item #27) <sup>1</sup>     | 334.66  | 402.13    |
| 30               | 400100      | Control Cover Assy Kit (incl. item #27) <sup>2</sup>     | 334.66  | 402.13    |
| 31               | 350107      | Screw 10-24 x 3-1/4 in. PH MS 18-8SS (Qty. 3)            | 6.47    | 7.77      |
| 32               | 352401      | Motor Fan Kit (contains Fan, Shroud, Hardware)           | 268.24  | 322.32    |
| <b>NOT SHOWN</b> |             |  |         |           |
| 400031Z          |             | Seal Plate Kit w/ Mech Seal                              | 310.77  | 373.42    |
| 400012           |             | Riser Plate XF to Challenger                             | 102.52  | 123.19    |
| 350122Z          |             | 50 Ft. Communication Cable                               | CALL    | CALL      |

<sup>1</sup> Used on pumps manufactured before 12/23/13

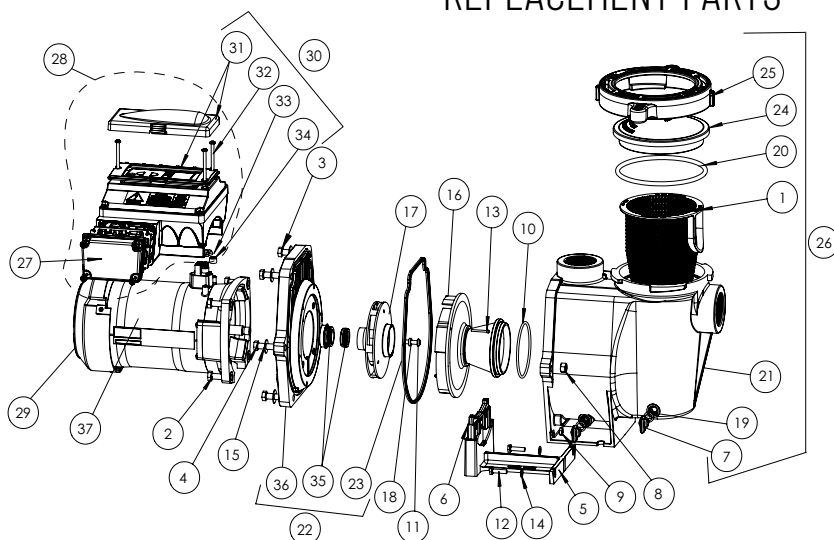
<sup>2</sup> Used on pumps manufactured after 12/23/13 to present

CALIFORNIA PROPOSITION 65 WARNING

⚠ **WARNING:** Cancer and Reproductive Harm.  
 ⚠ **AVERTISSEMENT:** Peut Causer le Cancer et des Dommages au Système Reproducteur.  
 ⚠ **ADVERTENCIA:** Cáncer y Daño Reproductivo.

[www.p65warnings.ca.gov](http://www.p65warnings.ca.gov)

# INTELLIFLO® VF PUMP REPLACEMENT PARTS



CALIFORNIA PROPOSITION 65 WARNING  
 ⚠️ **WARNING:** Cancer and Reproductive Harm.  
 ⚠️ **AVERTISSEMENT:** Peut Causer le Cancer et des Dommages au Système Reproducteur.  
 ⚠️ **ADVERTENCIA:** Cáncer y Daño Reproductivo.  
 www.p65warnings.ca.gov. P650074

| Item                      | Part No. | Description   | US List | Can. List |
|---------------------------|----------|---|---------|-----------|
| <b>INTELLIFLO VF PUMP</b> |          |   |         |           |
| 1                         | 070387Z  | Basket WF   | 25.85   | 31.06     |
| 2                         | 070429Z  | Bolt, 3/8-16 X 7/8 SS Hex Head 18-8, 4 req.                               | 4.86    | 5.84      |
| 3                         | 070430Z  | Bolt, 3/8-16 x 1-1/4 hex cap 18-8 S/S, 4 req.                             | CALL    | CALL      |
| 4                         | 070431   | Bolt, 3/8-16 x 2 hex cap 18-8 S/S, 2 req.                                 | 4.25    | 5.11      |
| 5                         | 070927   | Foot WF, pump motor support, almond                                       | 59.26   | 71.21     |
| 6                         | 070929   | Foot insert WF pump, almond   | 29.73   | 35.72     |
| 7                         | 071131Z  | Plug drain WFE, almond, (2 req.)  | 9.51    | 11.43     |
| 8                         | 071403   | Nut, 3/8-16 brass nickel plated, 2 req.                                   | CALL    | CALL      |
| 9                         | 071406Z  | Nut, 1/4-20 hex S/S, 2 req.   | 12.37   | 14.86     |
| 10                        | 355227Z  | O-ring #238, 3.484 x .139, buna N 70                                      | 5.04    | 6.06      |
| 11                        | 071652Z  | Screw, 1/4, 20 x 1 LH phillips pan MS 18-8 S/S, 1 req.                    | 4.86    | 5.84      |
| 12                        | 071657Z  | Screw, 1/4-20 x 1 in. hex cap 18-8 S/S, 2 req.                            | 4.86    | 5.84      |
| 13                        | 071660Z  | Screw set, 4-40 x 1-1/8 WFE sckt cap 18-8 S/S, 2 req.                     | 5.04    | 6.06      |
| 14                        | 072183   | Washer, flat 1/4 x 5/8 20GA thick 18-8 S/S, 2 req.                        | 2.38    | 2.86      |
| 15                        | 072184   | Washer, 3/8 ID x 7/8 OD .05 thick 18-8 S/S, 6 req.                        | 2.38    | 2.86      |
| 16                        | 072928Z  | Diffuser assembly, black  | 58.37   | 70.14     |
| 17                        | 073131Z  | Impeller, IntelliFlo  | CALL    | CALL      |
| 18                        | 075713Z  | Rubber washer, WFE pump, 1 req.   | CALL    | CALL      |
| 19                        | 192115Z  | O-ring 112, .487 x .103 buna -N 70, 2 req.                                | 3.90    | 4.69      |
| 20                        | 350013Z  | O-ring lid CH/WF 2-436, 1 req.  | 5.83    | 7.01      |
| 21                        | 350015Z  | Housing WFE, almond   | CALL    | CALL      |
| 22                        | 350202   | Seal plate kit, almond w/ gasket (Items 23, 35, 36)                       | 311.21  | 373.95    |
| 23                        | 357100Z  | Black Gasket for Seal plate   | 9.97    | 11.98     |
| 23                        | 357102Z  | Almond Gasket for Seal plate  | CALL    | CALL      |
| 24                        | 357151Z  | Lid, see thru WF.   | 45.21   | 54.32     |
| 24                        | 357156   | Lid, Chemical Resistant   | 104.66  | 125.76    |
| 25                        | 357199Z  | Clamp cam & ramp WF, almond   | CALL    | CALL      |
| 26                        | 357243   | Pot WF assy., almond (contains 1, 7 (qty. 2), 19 (qty. 2), 20, 21, 24, 25 | 738.09  | 886.89    |

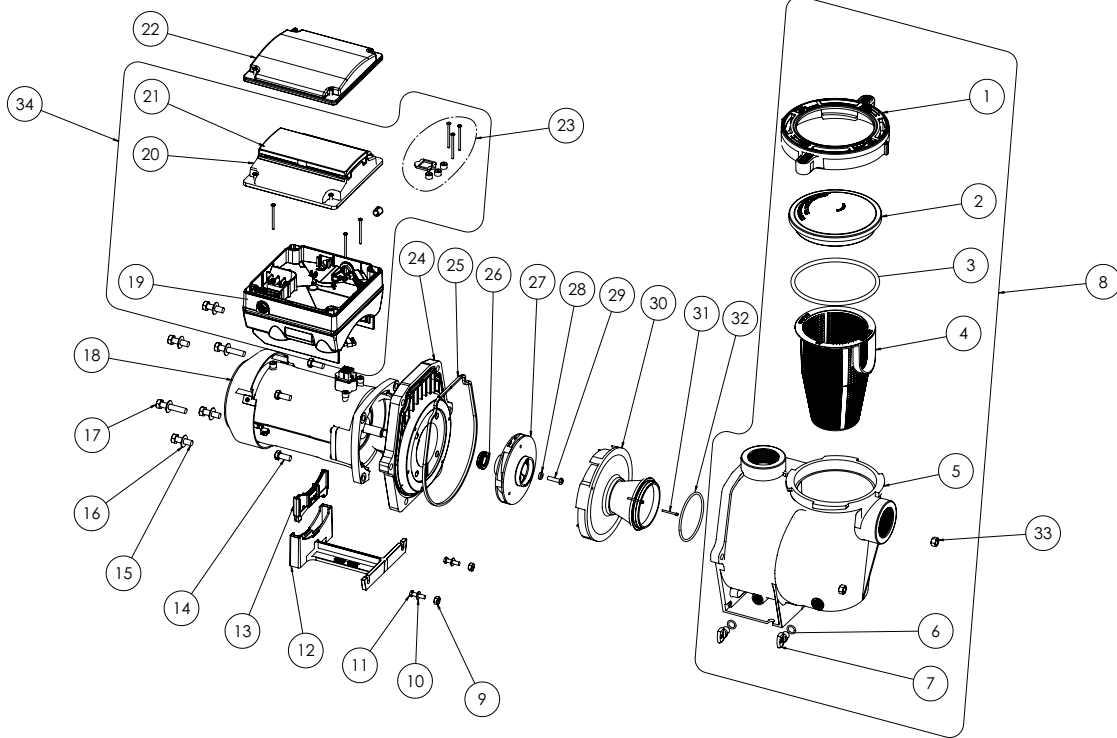
| Item             | Part No. | Description  | US List | Can. List |
|------------------|----------|--|---------|-----------|
| 27               | 350621   | Junction Box Cover - Almond  | 31.36   | 37.68     |
| 28               | 350721   | Drive IntelliFlo VF assy. kit, almond (contains drive VF, control cover assy.)   | CALL    | CALL      |
| 29               | 352401   | Motor fan kit, almond (contains fan, shroud, hardware).  | 268.24  | 322.32    |
| 30               | 350601   | Drive Control Cover assembly kit, almond (contains drive lid, screws, spacer caps, items 31, 32 (qty. 3), 33, 34 (qty. 3) <sup>1</sup> ) | 334.66  | 402.13    |
| 30               | 400100   | Drive Control Cover assembly kit, almond (contains drive lid, screws, spacer caps, items 31, 32 (qty. 3), 33, 34 (qty. 3) <sup>2</sup> ) | 334.66  | 402.13    |
| 31               | 350082   | Control cover assembly (not sold individually - order item assy. kit item #30)   | CALL    | CALL      |
| 32               | 350107   | Screw 10-24 x 3/4 in. PH MS 18-8 s/s (qty. 3)  | 6.47    | 7.77      |
| 33               | 350108   | IntelliFlo drive gasket  | 13.44   | 16.15     |
| 34               | 350142   | Spacer cap (qty. 3)  | 46.98   | 56.45     |
| 35               | 071734S  | Seal Kit   | 46.83   | 56.27     |
|                  | 071732S  | Mechanical Seal (ozone/salt resistant)   | 39.23   | 47.14     |
| 36               | 074564Z  | Seal Plate - Almond  | 167.99  | 201.86    |
| 37               | 350105S  | Motor VFD 3.2KW PMSM replacement, almond   | CALL    | CALL      |
| <b>NOT SHOWN</b> |          |  |         |           |
|                  | 070112   | Power end IntelliFlo VF (Contains items 2 (qty. 4), 10, 11, 13, 15, 16, 17, 18, 19, 22, 28, 37)  | CALL    | CALL      |
|                  | 350122Z  | 50 ft. Communication Cable   | CALL    | CALL      |
|                  | 357149   | Almond Volute/Seal plate Replacement Kit (Items 1, 7 (Qty 2), 19 (Qty 2), 20, 21, 22, 23, 24, 25)  | 464.12  | 557.69    |
|                  | 350612   | Hardware/gasket assy. kit (contains 3 screws, 3 spacer caps and drive gasket)  | 167.05  | 200.73    |
|                  | 357603   | Union Kit (contains 2 complete unions for one pump, not included with pump).   | 172.60  | 207.40    |
|                  | 356198   | WhisperFlo/IntelliFlo Quick Kit (includes 36, 32, 25, 6(x2), 3, and 28)  | 51.68   | 62.10     |
|                  | 350199   | Seal Plate Kit (ozone/salt resistant)  | 303.94  | 365.21    |

<sup>1</sup> Used on pumps manufactured before 12/28/11

<sup>2</sup> Used on pumps manufactured after 12/28/11

# INTELLIFLO® VSF PUMP/INTELLIFLO 2 VST PUMP INTELLIFLO VS PUMP - AFTER 2018

## REPLACEMENT PARTS

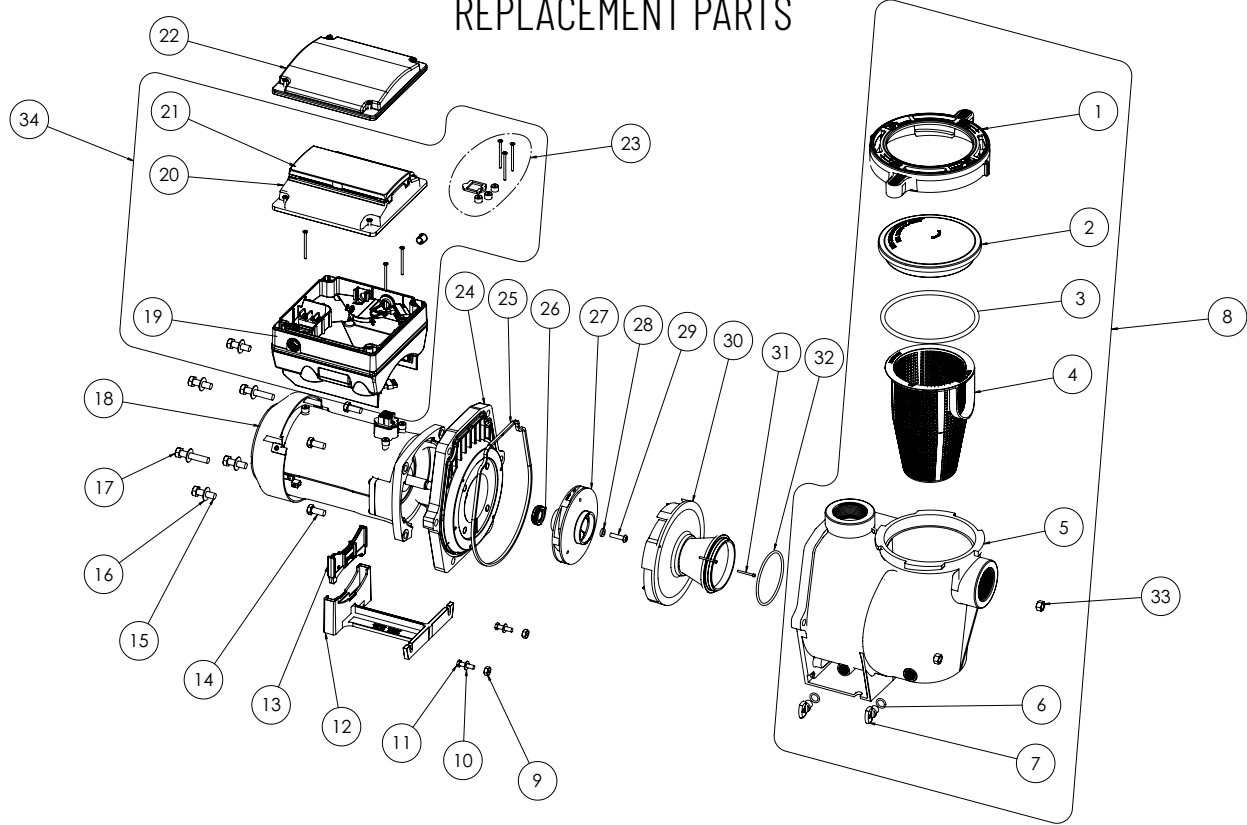


| Item                   | Part No. | Description  | US List | Can. List |
|------------------------|----------|--|---------|-----------|
| <b>INTELLIFLO PUMP</b> |          |  |         |           |
| 1                      | 357199Z  | Clamp, Cam and Ramp  | CALL    | CALL      |
| 2                      | 357151Z  | See-through Lid  | 45.21   | 54.32     |
| 3                      | 350013Z  | Lid O-Ring   | 5.83    | 7.01      |
| 4                      | 070387Z  | Strainer Basket  | 25.85   | 31.06     |
| 5                      | 350015Z  | Volute WF  | CALL    | CALL      |
| 6                      | 192115Z  | O-Ring 112 for Drain Plug (Qty 2)  | 3.90    | 4.69      |
| 7                      | 071131Z  | Drain Plug WF (2 req.)   | 9.51    | 11.43     |
| 8                      | 357243   | Volute Kit (Contains items #1-7)   | 738.09  | 886.89    |
| 9                      | 071406Z  | Nut 1/4-20 Hex SS (Qty 2)  | 12.37   | 14.86     |
| 10                     | 072183   | Washer, Flat 1/4" ID x 5/8" OD (Qty 2)   | 2.38    | 2.86      |
| 11                     | 071657Z  | Screw 1/4-20 x 1" Hex Cap SS, 2 req.   | 4.86    | 5.84      |
| 12                     | 070927   | Foot WF  | 59.26   | 71.21     |
| 13                     | 070929   | Foot Insert WFE Pump Motor Support   | 29.73   | 35.72     |
| 14                     | 070429Z  | Bolt, 3/8-16 X 7/8 SS Hex Head 18-8, 4 req.                                    | 4.86    | 5.84      |
| 15                     | 072184   | Washer, Flat 3/8" ID x 7/8 OD (Qty 6)  | 2.38    | 2.86      |
| 16                     | 070430Z  | Bolt, Hex Head 3/8-16 x 1.25" (Qty 4)  | CALL    | CALL      |
| 17                     | 070431   | Bolt, Hex Head 3/8-16 x 2" (Qty 2)   | 4.25    | 5.11      |
| 18                     | 350305S  | Motor, 3.2 kW 10 Pole  | CALL    | CALL      |
| 19                     | 356880Z  | Drive (VSF model) (pumps mfg. before 10/2020)                                  | CALL    | CALL      |
| 19                     | 356944Z  | Drive (VSF model) (pumps mfg. after 10/2020)                                   | CALL    | CALL      |
| 19                     | 356878Z  | Drive (2VST and VS models)   | CALL    | CALL      |
| 20                     | 357527Z  | Keypad Assembly Kit (Contains item #21)  | 527.74  | 634.13    |
| 21                     | 400100   | Keypad Cover   | 334.66  | 402.13    |
| 22                     | 356904Z  | Keypad Relocation Kit (Contains Keypad Relocation cable and Blank Drive Cover) | 114.71  | 137.84    |

| Item             | Part No. | Description   | US List | Can. List |
|------------------|----------|---|---------|-----------|
| 23               | 355685   | Drive Hardware Kit (Contains Drive Screws, Drive Gasket and Screw Caps) | 167.05  | 200.73    |
| 24               | 074564Z  | Seal Plate  | 167.99  | 201.86    |
| 25               | 357100Z  | Seal Plate Gasket   | 9.97    | 11.98     |
| 26               | 071734S  | Mechanical Seal   | 46.83   | 56.27     |
| 26               | 071732S  | Mechanical Seal (ozone/salt resistant)                                  | 39.23   | 47.14     |
| 27               | 073131Z  | Impeller (pumps mfg. before 10/2020)                                    | CALL    | CALL      |
| 27               | 356237   | Impeller (pumps mfg. after 10/2020)                                     | CALL    | CALL      |
| 28               | 075713Z  | Rubber Washer, Impeller Set Screw                                       | CALL    | CALL      |
| 29               | 071652Z  | Impeller Set Screw 1/4-20 LH Thread                                     | 4.86    | 5.84      |
| 30               | 072928Z  | Diffuser (pumps mfg. before 10/2020)                                    | 58.37   | 70.14     |
| 30               | 356238   | Diffuser (pumps mfg. after 10/2020)                                     | CALL    | CALL      |
| 31               | 071660Z  | Diffuser Set Screw 4-40 x 1-1/8, 2 req.                                 | 5.04    | 6.06      |
| 32               | 355227Z  | Diffuser O-Ring   | 5.04    | 6.06      |
| 33               | 071403   | Nut 3/8" Brass, Nickel Plated (Qty 2)                                   | CALL    | CALL      |
| 34               | 356922Z  | Drive Kit ( VSF model) (Incl. Items #19-23)                             | 2207.96 | 2653.08   |
| 34               | 356971Z  | Drive Kit (VSF Model mfg. after 11/20) (Incl. items #19-23)"            | CALL    | CALL      |
| 34               | 356879Z  | Drive Kit (2VST and VS models) (Incl. Items #19-23)                     | 2207.96 | 2653.08   |
| <b>NOT SHOWN</b> |          |   |         |           |
|                  | 350122Z  | 50 Ft. Communication Cable  | CALL    | CALL      |
|                  | 350202   | Seal Plate Kit w/Mechanical Seal (Incl. Items #24, 25 and 26)           | 311.21  | 373.95    |
|                  | 354044   | Power End - (2VST and VS models)  | 3690.48 | 4434.48   |
|                  | 356198   | WhisperFlo/IntelliFlo Quick Kit (includes 26, 32, 25, 6(x2), 3 and 28)  | 51.68   | 62.10     |
|                  | 357603   | Union Kit (Incl. 2 complete unions for 1 pump - Not included with pump) | 172.60  | 207.40    |
|                  | 350199   | Seal Plate Kit (Ozone/Salt resistant)                                   | 303.94  | 365.21    |
|                  | 352401   | Motor Fan Kit   | 268.24  | 322.32    |

# INTELLIFLO® VS+SVRS PUMP - AFTER JUNE 2016

## REPLACEMENT PARTS



| Item                           | Part No. | Description  | US List | Can. List |
|--------------------------------|----------|--|---------|-----------|
| <b>INTELLIFLO VS+SVRS PUMP</b> |          |  |         |           |
| 1                              | 357199Z  | Clamp, Cam and Ramp  | CALL    | CALL      |
| 2                              | 357151Z  | See-through Lid  | 45.21   | 54.32     |
| 3                              | 350013Z  | Lid O-Ring   | 5.83    | 7.01      |
| 4                              | 070387Z  | Strainer Basket  | 25.85   | 31.06     |
| 5                              | 350015Z  | Volute WF  | CALL    | CALL      |
| 6                              | 192115Z  | O-Ring 112 for Drain Plug (Qty 2)  | 3.90    | 4.69      |
| 7                              | 071131Z  | Drain Plug WF (2 req.)   | 9.51    | 11.43     |
| 8                              | 357243   | Volute Kit (Contains items #1-7)   | 738.09  | 886.89    |
| 9                              | 071406Z  | Nut 1/4-20 Hex SS (Qty 2)  | 12.37   | 14.86     |
| 10                             | 072183   | Washer, Flat 1/4" ID x 5/8" OD (Qty 2)   | 2.38    | 2.86      |
| 11                             | 071657Z  | Screw 1/4-20 x 1" Hex Cap SS, 2 req.   | 4.86    | 5.84      |
| 12                             | 070927   | Foot WF  | 59.26   | 71.21     |
| 13                             | 070929   | Foot Insert WFE Pump Motor Support   | 29.73   | 35.72     |
| 14                             | 070429Z  | Bolt, 3/8-16 X 7/8 SS Hex Head 18-8, 4 req.                                    | 4.86    | 5.84      |
| 15                             | 072184   | Washer, Flat 3/8" ID x 7/8 OD (Qty 6)  | 2.38    | 2.86      |
| 16                             | 070430Z  | Bolt, Hex Head 3/8-16 x 1.25" (Qty 4)  | CALL    | CALL      |
| 17                             | 070431   | Bolt, Hex Head 3/8-16 x 2" (Qty 2)   | 4.25    | 5.11      |
| 18                             | 350305S  | Motor, 3.2 kW 10 Pole  | CALL    | CALL      |
| 19                             | 356910Z  | Drive  | CALL    | CALL      |
| 20                             | 357527Z  | Keypad Assembly Kit (Contains item #21)  | 527.74  | 634.13    |
| 21                             | 400100   | Keypad Cover   | 334.66  | 402.13    |
| 22                             | 356904Z  | Keypad Relocation Kit (Contains Keypad Relocation cable and Blank Drive Cover) | 114.71  | 137.84    |

| Item             | Part No. | Description   | US List | Can. List |
|------------------|----------|---|---------|-----------|
| 23               | 355685   | Drive Hardware Kit (Contains Drive Screws, Drive Gasket and Screw Caps) | 167.05  | 200.73    |
| 24               | 074564Z  | Seal Plate  | 167.99  | 201.86    |
| 25               | 357100Z  | Seal Plate Gasket   | 9.97    | 11.98     |
| 26               | 071734S  | Mechanical Seal   | 46.83   | 56.27     |
| 26               | 071732S  | Mechanical Seal (ozone/salt resistant)                                  | 39.23   | 47.14     |
| 27               | 073131Z  | Impeller (pumps mfg. before 10/2020)                                    | CALL    | CALL      |
| 27               | 356237   | Impeller (pumps mfg. after 10/2020)                                     | CALL    | CALL      |
| 28               | 075713Z  | Rubber Washer, Impeller Set Screw                                       | CALL    | CALL      |
| 29               | 071652Z  | Impeller Set Screw 1/4-20 LH Thread                                     | 4.86    | 5.84      |
| 30               | 072928Z  | Diffuser (pumps mfg. before 10/2020)                                    | 58.37   | 70.14     |
| 30               | 072928Z  | Diffuser (pumps mfg. after 10/2020)                                     | 58.37   | 70.14     |
| 31               | 071660Z  | Diffuser Set Screw 4-40 x 1-1/8, 2 req.                                 | 5.04    | 6.06      |
| 32               | 355227Z  | Diffuser O-Ring   | 5.04    | 6.06      |
| 33               | 071403   | Nut 3/8" Brass, Nickel Plated (Qty 2)                                   | CALL    | CALL      |
| 34               | 356911Z  | Drive Kit (Incl. Items #19-23)  | CALL    | CALL      |
| <b>NOT SHOWN</b> |          |   |         |           |
|                  | 350122Z  | 50 Ft. Communication Cable  | CALL    | CALL      |
|                  | 350202   | Seal Plate Kit w/Mechanical Seal (Incl. Items #24, 25 and 26)           | 311.21  | 373.95    |
|                  | 357603   | Union Kit (Incl. 2 complete unions for 1 pump - Not included with pump) | 172.60  | 207.40    |
|                  | 356198   | Whisper/IntelliFlo Quick Kit (Includes 26, 32, 25, 6(x2), 2 and 28)     | 51.68   | 62.10     |
|                  | 350199   | Seal Plate Kit (Ozone/Salt resistant)                                   | 303.94  | 365.21    |
|                  | 352401   | Motor Fan Kit   | 268.24  | 322.32    |

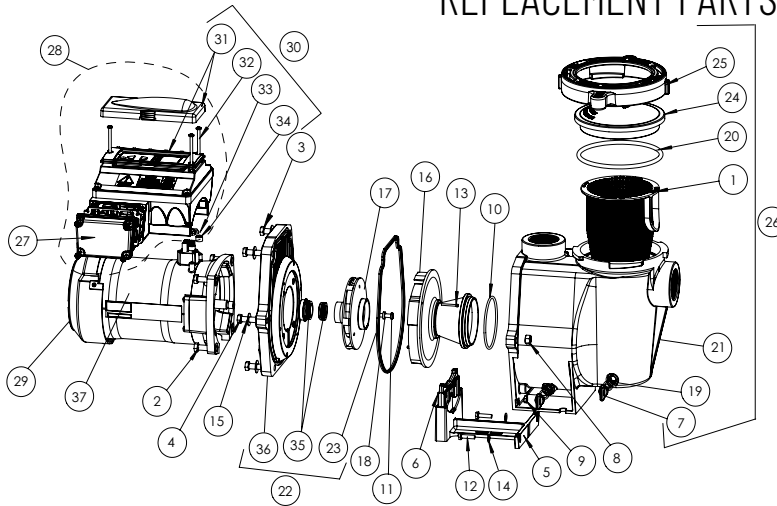
**CALIFORNIA PROPOSITION 65 WARNING**

⚠ **WARNING:** Cancer and Reproductive Harm.  
 ⚠ **AVERTISSEMENT:** Peut Causer le Cancer et des Dommages au Système Reproducteur.  
 ⚠ **ADVERTENCIA:** Cáncer y Daño Reproductivo.  
[www.p65warnings.ca.gov](http://www.p65warnings.ca.gov)



# INTELLIFLO® VARIABLE SPEED PUMP- BEFORE 2019 INTELLIFLO VS+SVRS PUMP - BEFORE JUNE 2016

## REPLACEMENT PARTS



CALIFORNIA PROPOSITION 65 WARNING  
 ⚠️ WARNING: Cancer and Reproductive Harm.  
 ⚠️ AVERTISSEMENT: Peut Causer le Cancer et des Dommages au Système Reproducteur.  
 ⚠️ ADVERTENCIA: Cáncer y Daño Reproductivo.  
 www.p65warnings.ca.gov. FN202171A

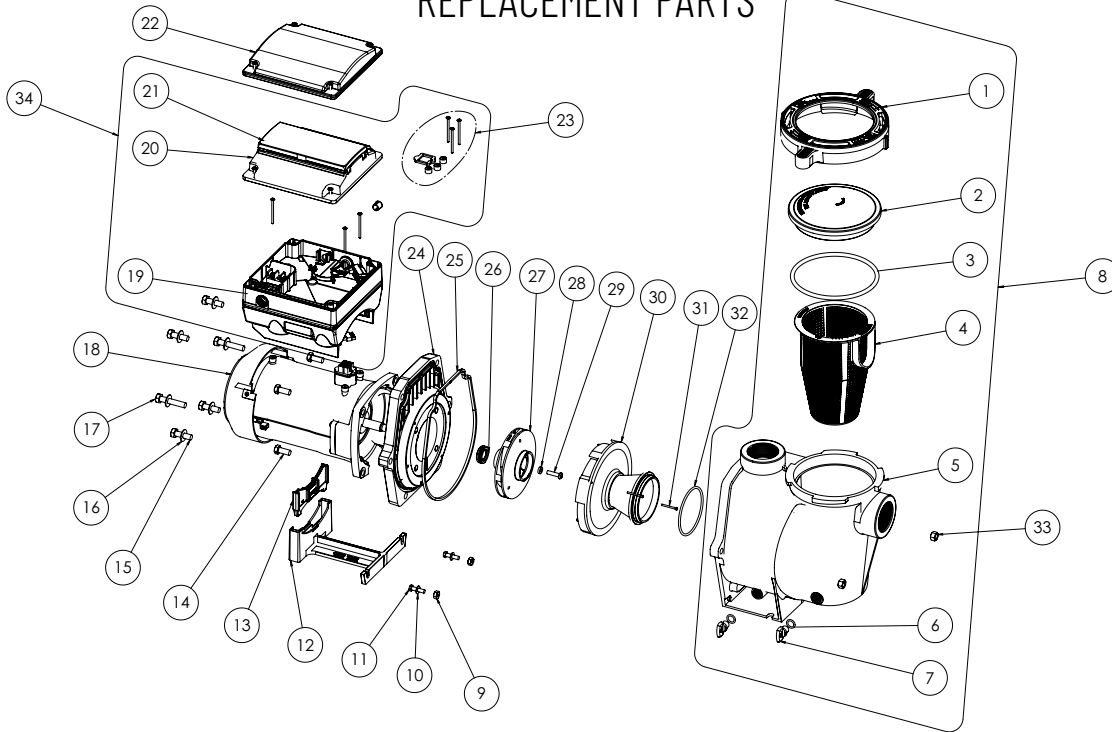
| Item  | Part No. | Description  | US List | Can. List |
|---|----------|--|---------|-----------|
| <b>INTELLIFLO VARIABLE SPEED &amp; INTELLIFLO VS+SVRS</b> |          |  |         |           |
| 1   | 070387Z  | Basket WF  | 25.85   | 31.06     |
| 2   | 070429Z  | Bolt, 3/8-16 X 7/8 SS Hex Head 18-8, 4 req.  | 4.86    | 5.84      |
| 3   | 070430Z  | Bolt, 3/8-16 x 1-1/4 hex cap 18-8 S/S, 4 req.  | CALL    | CALL      |
| 4   | 070431   | Bolt, 3/8-16 x 2 hex cap 18-8 S/S, 2 req.  | 4.25    | 5.11      |
| 5   | 070927   | Foot WF, pump motor support, almond  | 59.26   | 71.21     |
| 6   | 070929   | Foot insert WF pump, almond  | 29.73   | 35.72     |
| 7   | 071131Z  | Plug drain WFE, almond, (2 req.)   | 9.51    | 11.43     |
| 8   | 071403   | Nut, 3/8-16 brass nickel plated, 2 req.  | CALL    | CALL      |
| 9   | 071406Z  | Nut, 1/4-20 hex S/S, 2 req.  | 12.37   | 14.86     |
| 10  | 355227Z  | O-ring #238, 3.484 x .139, buna N 70   | 5.04    | 6.06      |
| 11  | 071652Z  | Screw, 1/4, 20 x 1 LH phillips pan MS 18-8 S/S, 1 req.                                 | 4.86    | 5.84      |
| 12  | 071657Z  | Screw, 1/4-20 x 1 in. hex cap 18-8 S/S, 2 req.   | 4.86    | 5.84      |
| 13  | 071660Z  | Screw set, 4-40 x 1-1/8 WFE sckt cap 18-8 S/S, 2 req.                                  | 5.04    | 6.06      |
| 14  | 072183   | Washer, flat 1/4 x 5/8 20GA thick 18-8 S/S, 2 req.                                     | 2.38    | 2.86      |
| 15  | 072184   | Washer, 3/8 ID x 7/8 OD .05 thick 18-8 S/S, 6 req.                                     | 2.38    | 2.86      |
| 16  | 072928Z  | Diffuser assembly, black   | 58.37   | 70.14     |
| 17  | 073131Z  | Impeller, IntelliFlo   | CALL    | CALL      |
| 18  | 075713Z  | Rubber washer, WFE pump, 1 req.  | CALL    | CALL      |
| 19  | 192115Z  | O-ring 112, .487 x .103 buna -N 70, 2 req.   | 3.90    | 4.69      |
| 20  | 350013Z  | O-ring lid CH/WF 2-436, 1 req.   | 5.83    | 7.01      |
| 21  | 350015Z  | Housing WFE, almond  | CALL    | CALL      |
| 22  | 350202   | Seal plate kit, almond w/ gasket (Items 23, 35, 36)                                    | 311.21  | 373.95    |
| 23  | 357100Z  | Black Gasket for Seal plate  | 9.97    | 11.98     |
| 23  | 357102Z  | Almond Gasket for Seal plate   | CALL    | CALL      |
| 24  | 357151Z  | Lid, see thru WF.  | 45.21   | 54.32     |
| 24  | 357156   | Lid, Chemical Resistant  | 104.66  | 125.76    |
| 25  | 357199Z  | Clamp cam & ramp WF, almond  | CALL    | CALL      |
| 26  | 357243   | Pot WF assy., almond (contains 1, 7 (qty. 2), 19 (qty. 2), 20, 21, 24, 25              | 738.09  | 886.89    |
| 27  | 350621   | Junction Box Cover - Almond  | 31.36   | 37.68     |
| 28  | 356879Z  | IntelliFlo Variable Speed Drive Kit - Contains Drive and Control Cover Assy. (VS only) | 2207.96 | 2653.08   |

| Item             | Part No. | Description  | US List | Can. List |
|------------------|----------|--|---------|-----------|
| 28               | 351021   | IntelliFlo VS+SVRS Drive Kit <sup>1</sup> - Contains Drive and Control Cover Assy. (SVRS drive)  | CALL    | CALL      |
| 29               | 352401   | Motor fan kit, almond (contains fan, shroud, hardware).  | 268.24  | 322.32    |
| 30               | 350601   | Drive Control Cover assembly kit <sup>2</sup> , almond (contains drive lid, screws, spacer caps, items 31, 32 (qty. 3), 33, 34 (qty. 3)) | 334.66  | 402.13    |
| 30               | 400100   | Drive Control Cover assembly kit <sup>3</sup> , almond (contains drive lid, screws, spacer caps, items 31, 32, (qty.3), 33, 34 (qty. 3)) | 334.66  | 402.13    |
| 31               | 350082   | Control cover assembly (not sold individually - order assy. kit item #30)  | CALL    | CALL      |
| 32               | 350107   | Screw 10-24 x 3 1/4 in. PH MS 18-8 s/s (qty. 3)  | 6.47    | 7.77      |
| 33               | 350108   | IntelliFlo drive gasket  | 13.44   | 16.15     |
| 34               | 350142   | Spacer cap (qty. 3)  | 46.98   | 56.45     |
| 35               | 071734S  | Seal Kit   | 46.83   | 56.27     |
| 35               | 071732S  | Mechanical Seal (ozone/salt resistant)   | 39.23   | 47.14     |
| 36               | 074564Z  | Seal Plate - Almond  | 167.99  | 201.86    |
| 37               | 350105S  | Motor VFD 3.2KW PMSM replacement, almond   | CALL    | CALL      |
| <b>NOT SHOWN</b> |          |  |         |           |
|                  | 070118   | Power end IntelliFlo Variable Speed (Contains items 2, 10, 11, 13, 15, 16, 17, 18, 19, 22, 28)   | CALL    | CALL      |
|                  | 350122Z  | 50 ft. Communication Cable   | CALL    | CALL      |
|                  | 357149   | Almond Volute/Seal plate Replacement Kit (Items 1, 7 (Qty 2), 19 (Qty 2), 20, 21, 22, 23, 24, 25)  | 464.12  | 557.69    |
|                  | 350612   | Hardware/gasket assy. kit (contains 3 screws, 3 spacer caps and drive gasket)  | 167.05  | 200.73    |
|                  | 357603   | Union Kit (contains 2 complete unions for one pump, not included with pump).   | 172.60  | 207.40    |
|                  | 356198   | WhisperFlo/IntelliFlo Quick Kit (includes 35, 10, 18, 23, 20, 19(x2))  | 51.68   | 62.10     |
|                  | 350199   | Seal Plate Kit (ozone/salt resistant)  | 303.94  | 365.21    |

<sup>1</sup> Contact factory for IntelliFlo VS+SVRS2  
<sup>2</sup> Used on pumps manufactured before 12/23/13  
<sup>3</sup> Used on pumps manufactured after 12/23/13 to present

# INTELLIFLO® i1 + i2 VARIABLE SPEED PUMP - AFTER APRIL 2016

## REPLACEMENT PARTS



| Item                      | Part No. | Description  | US List | Can. List |
|---------------------------|----------|--|---------|-----------|
| <b>INTELLIFLOXFP PUMP</b> |          |  |         |           |
| 1                         | 357199Z  | Clamp, Cam and Ramp  | CALL    | CALL      |
| 2                         | 357151Z  | See-through Lid  | 45.21   | 54.32     |
| 3                         | 350013Z  | Lid O-Ring   | 5.83    | 7.01      |
| 4                         | 070387Z  | Strainer Basket  | 25.85   | 31.06     |
| 5                         | 350015Z  | Volute WF  | CALL    | CALL      |
| 6                         | 192115Z  | O-Ring 112 for Drain Plug (Qty 2)  | 3.90    | 4.69      |
| 7                         | 071131Z  | Drain Plug WF (2 req.)   | 9.51    | 11.43     |
| 8                         | 357243   | Volute Kit (Contains items #1-7)   | 738.09  | 886.89    |
| 9                         | 071406Z  | Nut 1/4-20 Hex SS (Qty 2)  | 12.37   | 14.86     |
| 10                        | 072183   | Washer, Flat 1/4" ID x 5/8" OD (Qty 2)   | 2.38    | 2.86      |
| 11                        | 071657Z  | Screw 1/4-20 x 1" Hex Cap SS, 2 req.   | 4.86    | 5.84      |
| 12                        | 070927   | Foot WF  | 59.26   | 71.21     |
| 13                        | 070929   | Foot Insert WFE Pump Motor Support   | 29.73   | 35.72     |
| 14                        | 070429Z  | Bolt, 3/8-16 X 7/8 SS Hex Head 18-8, 4 req.                                    | 4.86    | 5.84      |
| 15                        | 072184   | Washer, Flat 3/8" ID x 7/8 OD (Qty 6)  | 2.38    | 2.86      |
| 16                        | 070430Z  | Bolt, Hex Head 3/8-16 x 1.25" (Qty 4)  | CALL    | CALL      |
| 17                        | 070431   | Bolt, Hex Head 3/8-16 x 2" (Qty 2)   | 4.25    | 5.11      |
| 18                        | 350305S  | Motor, 3.2 kW 10 Pole  | CALL    | CALL      |
| 19                        | 356878Z  | Drive, Variable Speed  | CALL    | CALL      |
| 20                        | 357527Z  | Keypad Assembly Kit (Contains item #21)  | 527.74  | 634.13    |
| 21                        | 400100   | Keypad Cover   | 334.66  | 402.13    |
| 22                        | 356904Z  | Keypad Relocation Kit (Contains Keypad Relocation cable and Blank Drive Cover) | 114.71  | 137.84    |
| 23                        | 355685   | Drive Hardware Kit (Contains Drive Screws, Drive Gasket and Screw Caps)        | 167.05  | 200.73    |
| 24                        | 074564Z  | Seal Plate   | 167.99  | 201.86    |

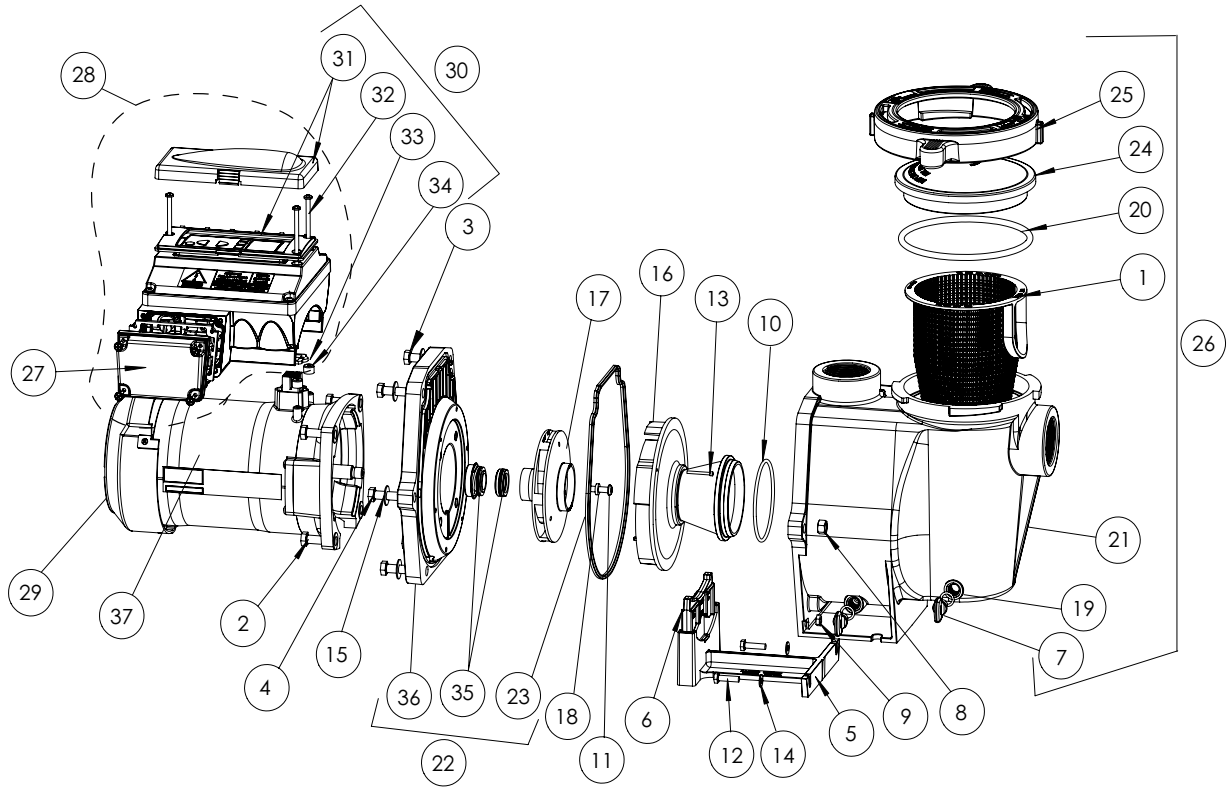
| Item             | Part No. | Description   | US List | Can. List |
|------------------|----------|---|---------|-----------|
| 25               | 357100Z  | Seal Plate Gasket   | 9.97    | 11.98     |
| 26               | 071734S  | Mechanical Seal   | 46.83   | 56.27     |
|                  | 071732S  | Mechanical Seal (ozone/salt resistant)                                  | 39.23   | 47.14     |
| 27               | 073128Z  | Impeller, i1 Pump   | CALL    | CALL      |
| 27               | 073131A  | Impeller, i2 Pump   | 148.38  | 178.29    |
| 28               | 075713Z  | Rubber Washer, Impeller Set Screw                                       | CALL    | CALL      |
| 29               | 071652Z  | Impeller Set Screw 1/4-20 LH Thread                                     | 4.86    | 5.84      |
| 30               | 072930   | Diffuser, i1 Pump   | 117.48  | 141.16    |
| 30               | 072927Z  | Diffuser, i2 Pump   | 117.48  | 141.16    |
| 31               | 071660Z  | Diffuser Set Screw 4-40 x 1-1/8, 2 req.                                 | 5.04    | 6.06      |
| 32               | 355227Z  | Diffuser O-Ring   | 5.04    | 6.06      |
| 33               | 071403   | Nut 3/8" Brass, Nickel Plated (Qty 2)                                   | CALL    | CALL      |
| 34               | 356879Z  | Drive Kit (Incl. Items #19-23)  | 2207.96 | 2653.08   |
| <b>NOT SHOWN</b> |          |   |         |           |
|                  | 350122Z  | 50 Ft. Communication Cable  | CALL    | CALL      |
|                  | 350202   | Seal Plate Kit w/Mechanical Seal (Incl. Items #24, 25 and 26)           | 311.21  | 373.95    |
|                  | 357603   | Union Kit (Incl. 2 complete unions for 1 pump - Not included with pump) | 172.60  | 207.40    |
|                  | 356198   | WhisperFlo/IntelliFlo Quick Kit (includes 26, 32, 25, 6(x2), 3 and 28)  | 51.68   | 62.10     |
|                  | 350199   | Seal Plate Kit (Ozone/Salt resistant)                                   | 303.94  | 365.21    |
|                  | 352401   | Motor Fan Kit   | 268.24  | 322.32    |

**CALIFORNIA PROPOSITION 65 WARNING**

⚠ **WARNING:** Cancer and Reproductive Harm.  
 ⚠ **AVERTISSEMENT:** Peut Causer le Cancer et des Dommages au Système Reproducteur.  
 ⚠ **ADVERTENCIA:** Cáncer y Daño Reproductivo.  
[www.p65warnings.ca.gov](http://www.p65warnings.ca.gov)

PH2016A

# INTELLIFLO® i1 VARIABLE SPEED PUMP - BEFORE APRIL 2016 REPLACEMENT PARTS



CALIFORNIA PROPOSITION 65 WARNING  
 ⚠️ **WARNING:** Cancer and Reproductive Harm.  
 ⚠️ **AVERTISSEMENT:** Peut Causer le Cancer et des Dommages au Système Reproducteur.  
 ⚠️ **ADVERTENCIA:** Cáncer y Daño Reproductivo.  
[www.p65warnings.ca.gov](http://www.p65warnings.ca.gov)

# INTELLIFLO® i1 VARIABLE SPEED PUMP - BEFORE APRIL 2016

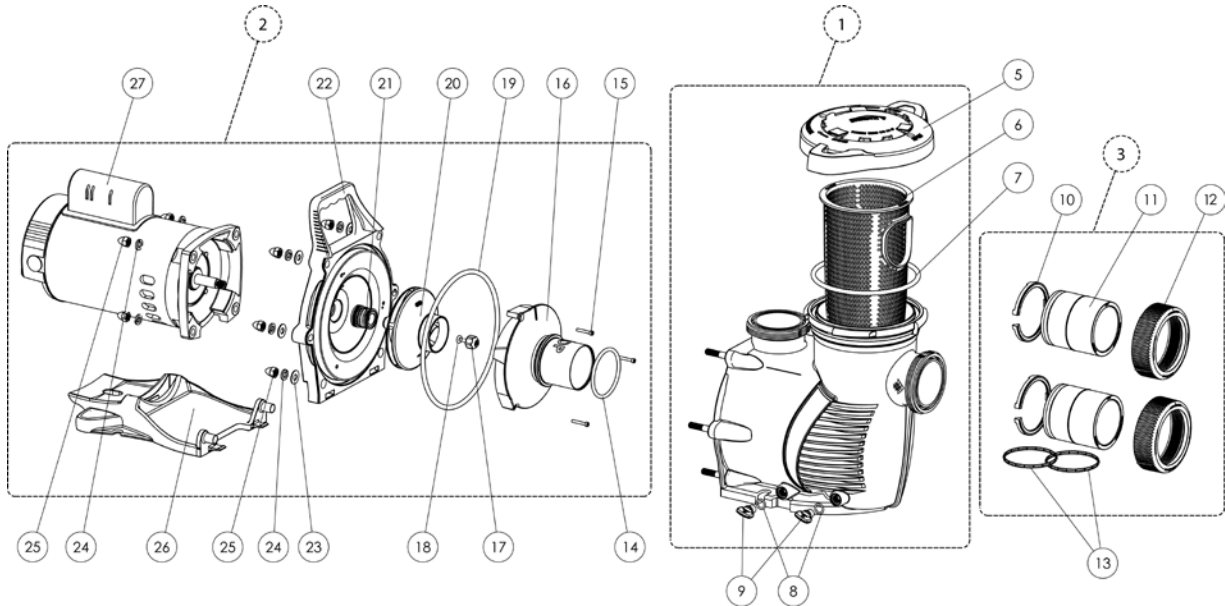
## REPLACEMENT PARTS

| Item                                     | Part No. | Description  | US List | Can. List |
|--|----------|--|---------|-----------|
| <b>INTELLIFLO i1 VARIABLE SPEED PUMP</b> |          |  |         |           |
| 1  | 070387Z  | Basket WF  | 25.85   | 31.06     |
| 2  | 070429Z  | Bolt, 3/8-16 X 7/8 SS Hex Head 18-8, 4 req.                                  | 4.86    | 5.84      |
| 3  | 070430Z  | Bolt, 3/8-16 x 1-1/4 hex cap 18-8 S/S, 4 req.                                | CALL    | CALL      |
| 4  | 070431   | Bolt, 3/8-16 x 2 hex cap 18-8 S/S, 2 req.                                    | 4.25    | 5.11      |
| 5  | 070927   | Foot WF, pump motor support, almond  | 59.26   | 71.21     |
| 6  | 070929   | Foot insert WF pump, almond  | 29.73   | 35.72     |
| 7  | 071131Z  | Plug drain WFE, almond, (2 req.)   | 9.51    | 11.43     |
| 8  | 071403   | Nut, 3/8-16 brass nickel plated, 2 req.                                      | CALL    | CALL      |
| 9  | 071406Z  | Nut, 1/4-20 hex S/S, 2 req.  | 12.37   | 14.86     |
| 10                                       | 355227Z  | O-ring #238, 3.484 x .139, buna N 70   | 5.04    | 6.06      |
| 11                                       | 071652Z  | Screw, 1/4, 20 x 1 LH phillips pan MS 18-8 S/S, 1 req.                       | 4.86    | 5.84      |
| 12                                       | 071657Z  | Screw, 1/4-20 x 1 in. hex cap 18-8 S/S, 2 req.                               | 4.86    | 5.84      |
| 13                                       | 071660Z  | Screw set, 4-40 x 1-1/8 WFE sckt cap 18-8 S/S, 2 req.                        | 5.04    | 6.06      |
| 14                                       | 072183   | Washer, flat 1/4 x 5/8 20GA thick 18-8 S/S, 2 req.                           | 2.38    | 2.86      |
| 15                                       | 072184   | Washer, 3/8 ID x 7/8 OD .05 thick 18-8 S/S, 6 req.                           | 2.38    | 2.86      |
| 16                                       | 072930   | Diffuser assembly  | 117.48  | 141.16    |
| 17                                       | 073128Z  | Impeller, 1 HP   | CALL    | CALL      |
| 18                                       | 075713Z  | Rubber washer, WFE pump, 1 req.  | CALL    | CALL      |
| 19                                       | 192115Z  | O-ring 112, .487 x .103 buna -N 70, 2 req.                                   | 3.90    | 4.69      |
| 20                                       | 350013Z  | O-ring lid CH/WF 2-436, 1 req.   | 5.83    | 7.01      |
| 21                                       | 350015Z  | Housing WFE, almond  | CALL    | CALL      |
| 22                                       | 350202   | Seal plate kit, almond w/ gasket (Items 23, 35, 36)                          | 311.21  | 373.95    |
| 23                                       | 357100Z  | Black Gasket for Seal plate  | 9.97    | 11.98     |
| 24                                       | 357151Z  | Lid, see thru WF.  | 45.21   | 54.32     |
| 24                                       | 357156   | Lid, Chemical Resistant  | 104.66  | 125.76    |
| 25                                       | 357199Z  | Clamp cam & ramp WF, almond  | CALL    | CALL      |
| 26                                       | 357243   | Pot WF assy., almond (contains 1, 7 (qty. 2), 19 (qty. 2), 20, 21, 24, 25)   | 738.09  | 886.89    |
| 27                                       | 350621   | Junction Box Cover - Almond  | 31.36   | 37.68     |
| 28                                       | 356879Z  | IntelliFlo Variable Speed Drive Kit - Contains Drive and Control Cover Assy. | 2207.96 | 2653.08   |
| 29                                       | 352401   | Motor fan kit, almond (contains fan, shroud, hardware).                      | 268.24  | 322.32    |

| Item             | Part No. | Description  | US List | Can. List |
|------------------|----------|--|---------|-----------|
| 30               | 350601   | Drive Control Cover assembly kit, almond (contains drive lid, screws, spacer caps, items 31, 32 (qty. 3), 33, 34 (qty. 3)) | 334.66  | 402.13    |
| 31               | 350082   | Control cover assembly (Not sold individually - order assy kit item 30)  | CALL    | CALL      |
| 32               | 350107   | Screw 10-24 x 3¼ in. PH MS 18-8 s/s (qty. 3)   | 6.47    | 7.77      |
| 33               | 350108   | IntelliFlo drive gasket  | 13.44   | 16.15     |
| 34               | 350142   | Spacer cap (qty. 3)  | 46.98   | 56.45     |
| 35               | 071734S  | Seal Kit   | 46.83   | 56.27     |
| 35               | 071732S  | Mechanical Seal (ozone/salt resistant)   | 39.23   | 47.14     |
| 36               | 074564Z  | Seal Plate - Almond  | 167.99  | 201.86    |
| 37               | 350105S  | Motor VFD 3.2KW PMSM replacement, almond   | CALL    | CALL      |
| <b>NOT SHOWN</b> |          |  |         |           |
|                  | 070119   | Power end IntelliFlo Variable Speed (Contains items 2 (qty. 4), 10, 11, 13, 15, 16, 17, 18, 19, 22, 28, 37)                | CALL    | CALL      |
|                  | 350122Z  | 50 ft. Communication Cable   | CALL    | CALL      |
|                  | 357149   | Almond Volute/Seal plate Replacement Kit (Items 1, 7 (Qty 2), 19 (Qty 2), 20, 21, 22, 23, 24, 25)                          | 464.12  | 557.69    |
|                  | 350612   | Hardware/gasket assy. kit (contains 3 screws, 3 spacer caps and drive gasket)  | 167.05  | 200.73    |
|                  | 356198   | WhisperFlo/IntelliFlo Quick Kit (includes 35, 10, 18, 23, 20, 19(x2))  | 51.68   | 62.10     |
|                  | 357603   | Union Kit (contains 2 complete unions for one pump, not included with pump).   | 172.60  | 207.40    |
|                  | 350201   | Seal plate kit without gasket (Items 35 and 36)  | CALL    | CALL      |
|                  | 350199   | Seal Plate Kit (ozone/salt resistant)  | 303.94  | 365.21    |

# WHISPERFLOXF® PUMP

## REPLACEMENT PARTS



| Item                      | Part No.               | Description  | US List | Can. List |
|---------------------------|------------------------|--|---------|-----------|
| <b>WHISPERFLO XF PUMP</b> |                        |  |         |           |
| 1                         | 400000                 | Wet End Assembly   | 485.54  | 583.42    |
| 2                         | See chart on next page | Power End Assembly   |         |           |
| 3                         | 410020                 | Union Kit Without Tap                                      | 221.19  | 265.78    |
| 5                         | 400006                 | Lid/Locking Ring Assembly                                  | 85.44   | 102.66    |
| 6                         | 400007Z                | XF Series Replacement Basket                               | 53.43   | 64.20     |
| 7                         | 35505-1440Z            | Lid/Locking Ring O-Ring                                    | CALL    | CALL      |
| 8                         | 192115Z                | Drain Plug O-Ring  | 3.90    | 4.69      |
| 9                         | 071131Z                | Drain Plug (2 req.)  | 9.51    | 11.43     |
| 10                        | 410001                 | 2.5 in. C-Clip Locking Ring                                | 10.83   | 13.01     |
| 11                        | 410002                 | 2.5 in. Union Adapter without Tap                          | 51.26   | 61.59     |
| 12                        | 411000                 | 2.5 in. Union Nut  | 29.72   | 35.71     |
| 13                        | 410016Z                | 2.5 in. Seal Kit - (Includes two)                          | 18.28   | 21.97     |
| 14                        | 350336Z                | Diffuser O-Ring  | CALL    | CALL      |
| 15                        | 353323                 | Diffuser Screw   | 5.06    | 6.08      |
| 16                        | See chart on next page | Diffuser   |         |           |
| 17                        | 37337-6080             | Impeller Screw, Plastic Head (pumps mfg. before 10/7/2019) | 29.74   | 35.74     |
| 17                        | 356073                 | Impeller Screw, Metal-Head (pumps mfg. after 10/7/19)      | 11.64   | 13.99     |
| 18                        | 072172                 | Impeller screw washer                                      | 0.38    | 0.46      |

| Item             | Part No.               | Description                                   | US List | Can. List |
|------------------|------------------------|---|---------|-----------|
| 19               | 351446Z                | Seal Plate O-Ring                             | CALL    | CALL      |
| 20               | See chart on next page | Impeller Assembly (includes screw and washer) |         |           |
| 21               | 17351-0101S            | Mechanical Seal Assembly                      | 40.29   | 48.41     |
| 22               | 400002                 | Seal Plate                                    | 320.90  | 385.59    |
| 23               | 072184                 | Flat Washer                                   | 2.38    | 2.86      |
| 24               | U43-12SS               | Split Lock Washer                             | 4.14    | 4.97      |
| 25               | 071413                 | Acorn Nut                                     | 1.87    | 2.25      |
| 26               | 400004Z                | Motor Base                                    | 59.26   | 71.21     |
| 27               | See chart on next page | Motors  |         |           |
| <b>NOT SHOWN</b> |                        |   |         |           |
|                  | 400030Z                | Hardware and Orings Kit                       | 97.10   | 116.68    |
|                  | 400031Z                | Seal Plate Kit w/ Mechanical Seal             | 310.77  | 373.42    |
|                  | 400012                 | Riser Plate XF to Challenger                  | 102.52  | 123.19    |
|                  | 400013Z                | Motor End Cap and Screw                       | 40.15   | 48.24     |
|                  | 357923Z                | Fan Guard Kit TEFC/Super-Duty                 | CALL    | CALL      |

CALIFORNIA PROPOSITION 65 WARNING

⚠ **WARNING:** Cancer and Reproductive Harm.  
 ⚠ **AVERTISSEMENT:** Peut Causer le Cancer et des Dommages au Système Reproducteur.  
 ⚠ **ADVERTENCIA:** Cáncer y Daño Reproductivo.

www.p65warnings.ca.gov. P652017A

# WHISPERFLOXF<sup>®</sup> PUMP (CONT'D)




## REPLACEMENT PARTS

| Item             | Part No. | Description                   | US List | Can. List |
|------------------|----------|-------------------------------|---------|-----------|
| <b>IMPELLERS</b> |          |                               |         |           |
| 20               | 400020Z  | XFET-8                        | 180.49  | 216.88    |
| 20               | 400015Z  | XFET-12                       | 195.58  | 235.01    |
| 20               | 400023Z  | XFET-20                       | 210.59  | 253.04    |
| 20               | 400020Z  | XF-8                          | 180.49  | 216.88    |
| 20               | 400015Z  | XF-12                         | 195.58  | 235.01    |
| 20               | 400020Z  | XFE-8                         | 180.49  | 216.88    |
| 20               | 400015Z  | XFE-12                        | 195.58  | 235.01    |
| 20               | 400023Z  | XFE-20                        | 210.59  | 253.04    |
| 20               | 400020Z  | XFDS-8                        | CALL    | CALL      |
| 20               | 400015Z  | XFDS-12                       | CALL    | CALL      |
| 20               | 400020Z  | XFDS-30                       | CALL    | CALL      |
| 20               | 400020Z  | XF-30                         | 180.49  | 216.88    |
| 20               | 400020Z  | XFE-30                        | 180.49  | 216.88    |
| 20               | 400020Z  | XFJ-8                         | 180.49  | 216.88    |
| 20               | 400015Z  | XFJ-12                        | 195.58  | 235.01    |
| 20               | 400023Z  | XFJ-20                        | 210.59  | 253.04    |
| 20               | 400020Z  | XFK-8                         | 180.49  | 216.88    |
| 20               | 400015Z  | XFK-12                        | 195.58  | 235.01    |
| 20               | 400023Z  | XFK-20                        | 210.59  | 253.04    |
| <b>MOTORS</b>    |          |                               |         |           |
| 27               | 354815S  | 2hp 1-Phase TEFC 208-230V     | 873.51  | 1049.61   |
| 27               | 354817S  | 3hp 1-Phase TEFC 208-230V     | 1141.45 | 1371.57   |
| 27               | 354819S  | 5hp 1-Phase TEFC 208-230V     | 1424.58 | 1711.78   |
| 27               | 355026S  | 2hp Standard E 230V           | CALL    | CALL      |
| 27               | 355014S  | 2hp High Eff 208-230V         | CALL    | CALL      |
| 27               | 355016S  | 3hp High Eff 208-230V         | CALL    | CALL      |
| 27               | 353317S  | 5hp High Eff 208-230V         | CALL    | CALL      |
| 27               | 359526S  | 2hp 2 Speed 230V              | CALL    | CALL      |
| 27               | 353316S  | 3hp 2 Speed 230V              | CALL    | CALL      |
| 27               | 359526S  | 2.5hp Uprated 2 Speed 230V    | CALL    | CALL      |
| 27               | 355026S  | 2.5hp Uprated Standard E 230V | CALL    | CALL      |
| 27               | 355014S  | 2.5hp Uprated High E 208-230V | CALL    | CALL      |
| 27               | 354809S  | 2hp 3 Phase 208-230-460V      | CALL    | CALL      |
| 27               | 354811S  | 3hp 3 Phase 208-230-460V      | CALL    | CALL      |
| 27               | 354813S  | 5hp 3 Phase 208-230-460V      | CALL    | CALL      |

| Item              | Part No. | Description                   | US List | Can. List |
|-------------------|----------|-------------------------------|---------|-----------|
| <b>DIFFUSERS</b>  |          |                               |         |           |
| 16                | 400010   | XFET-8                        | 140.43  | 168.74    |
| 16                | 400010   | XFET-12                       | 140.43  | 168.74    |
| 16                | 400011Z  | XFET-20                       | 151.57  | 182.13    |
| 16                | 400010   | XF-8                          | 140.43  | 168.74    |
| 16                | 400010   | XF-12                         | 140.43  | 168.74    |
| 16                | 400010   | XFE-8                         | 140.43  | 168.74    |
| 16                | 400010   | XFE-12                        | 140.43  | 168.74    |
| 16                | 400011Z  | XFE-20                        | 151.57  | 182.13    |
| 16                | 400010   | XFDS-8                        | 140.43  | 168.74    |
| 16                | 400010   | XFDS-12                       | 140.43  | 168.74    |
| 16                | 400010   | XFDS-30                       | 140.43  | 168.74    |
| 16                | 400010   | XF-30                         | 140.43  | 168.74    |
| 16                | 400010   | XFE-30                        | 140.43  | 168.74    |
| 16                | 400010   | XFJ-8                         | 140.43  | 168.74    |
| 16                | 400010   | XFJ-12                        | 140.43  | 168.74    |
| 16                | 400011Z  | XFJ-20                        | 151.57  | 182.13    |
| 16                | 400010   | XFK-8                         | 140.43  | 168.74    |
| 16                | 400010   | XFK-12                        | 140.43  | 168.74    |
| 16                | 400011Z  | XFK-20                        | 151.57  | 182.13    |
| <b>POWER ENDS</b> |          |                               |         |           |
| 2                 | 400632Z  | 2hp 1-Phase TEFC 208-230V     | 1928.01 | 2316.70   |
| 2                 | 400633Z  | 3hp 1-Phase TEFC 208-230V     | 2314.06 | 2780.57   |
| 2                 | 400634Z  | 5hp 1-Phase TEFC 208-230V     | 2498.40 | 3002.08   |
| 2                 | 400612Z  | 2hp Standard E 230V           | 1773.66 | 2131.23   |
| 2                 | 400611Z  | 5hp High Eff 208-230V         | 2334.96 | 2805.69   |
| 2                 | 400612Z  | 2.5hp Uprated Standard E 230V | 1773.66 | 2131.23   |
| 2                 | 400617Z  | 2hp 3 Phase 208-230-460V      | 1854.83 | 2228.76   |
| 2                 | 400618Z  | 3hp 3 Phase 208-230-460V      | 1978.23 | 2377.04   |
| 2                 | 400619Z  | 5hp 3 Phase 208-230-460V      | 2283.43 | 2743.77   |

**Note: Pumps and replacement motors that are single speed and one (1) Total HP or greater cannot be sold, offered for sale, or installed in a residential pool for filtration use in California, Title 20 CCR sections 1601-1609.**

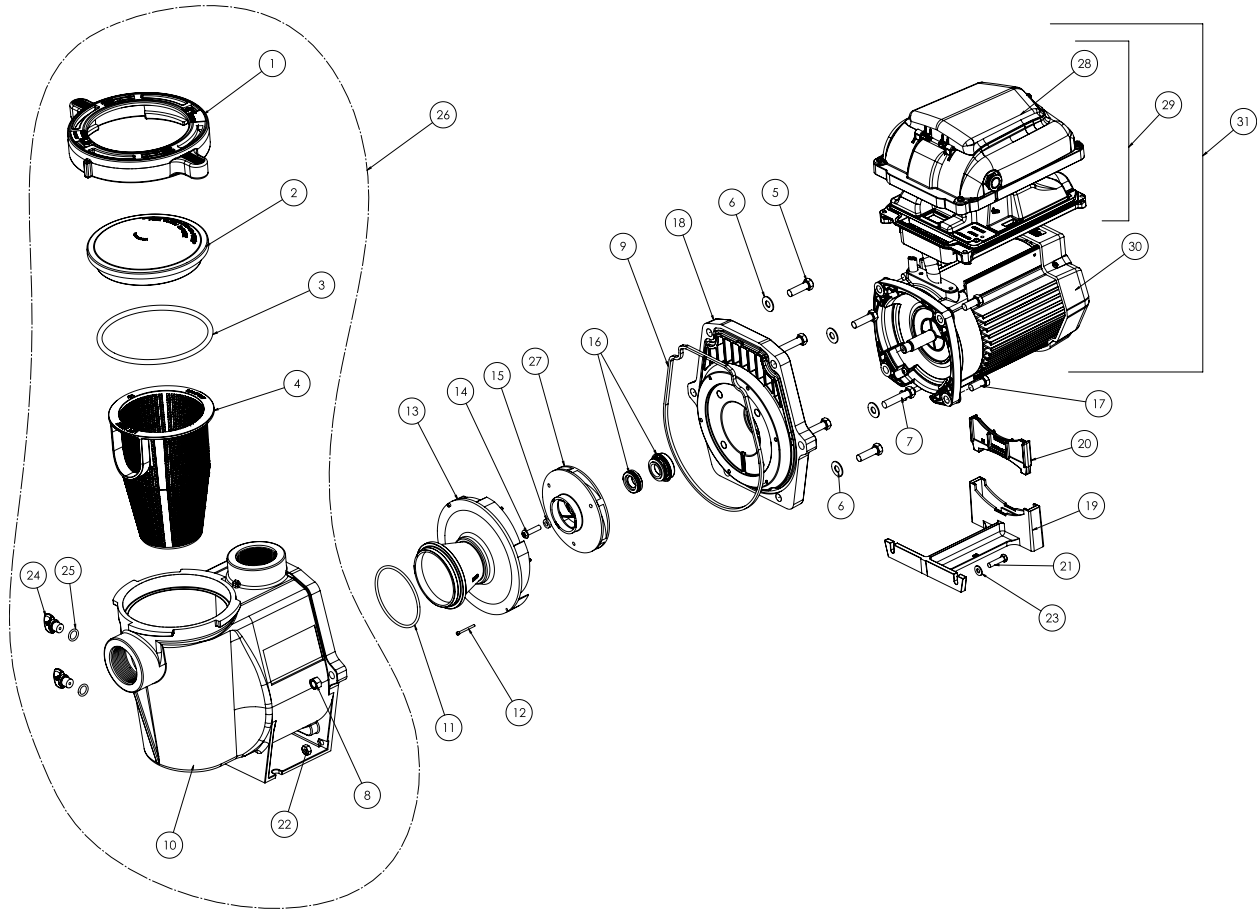
CALIFORNIA PROPOSITION 65 WARNING

 **WARNING:** Cancer and Reproductive Harm.  
 **AVERTISSEMENT:** Peut Causer le Cancer et des Dommages au Système Reproducteur.  
 **ADVERTENCIA:** Cáncer y Daño Reproductivo.

www.p65warnings.ca.gov. PN2010A

# WHISPERFLO® VST

## REPLACEMENT PARTS

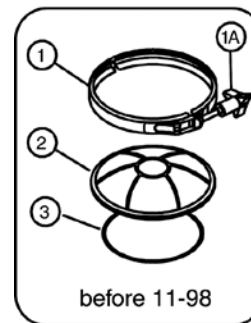
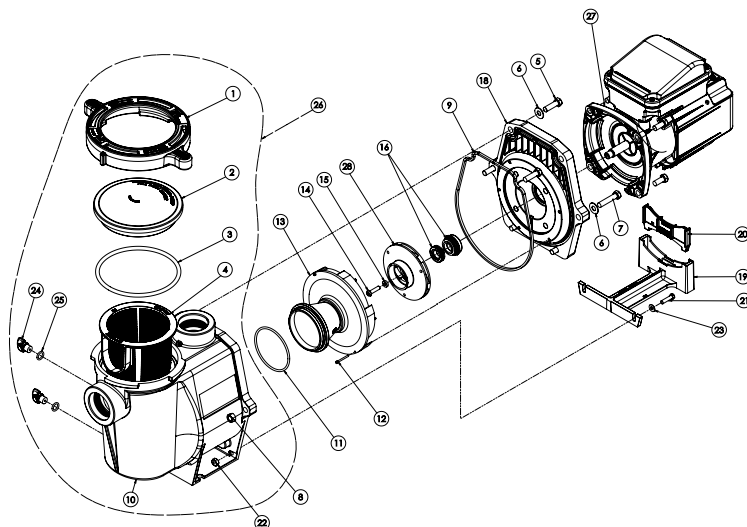


| Item                  | Part No. | Description  | US List | Can. List |
|-----------------------|----------|--|---------|-----------|
| <b>WHISPERFLO VST</b> |          |  |         |           |
| 1                     | 357199Z  | Lid Clamp  | CALL    | CALL      |
| 2                     | 357151Z  | Lid  | 45.21   | 54.32     |
| 2                     | 357156   | Lid, Chemical Resistant  | 104.66  | 125.76    |
| 3                     | 350013z  | O-ring, Lid  | 5.83    | 7.01      |
| 4                     | 070387z  | Strainer Basket  | 25.85   | 31.06     |
| 5                     | 070430Z  | Bolt, 3/8 - 16 x 1-1/4 Hex Head. SS, 4 Req.                    | CALL    | CALL      |
| 6                     | 072184   | Washer, 3/8 x 7/8 O.D. SS, 6 Req.                              | 2.38    | 2.86      |
| 7                     | 070431   | Bolt, 3/8 - 16 x 2 Hex Head. SS, 2 Req.                        | 4.25    | 5.11      |
| 8                     | 071403   | Nut, 3/8, 16 Hex Head, 2 Req.                                  | CALL    | CALL      |
| 9                     | 357100z  | Gasket, Seal Plate   | 9.97    | 11.98     |
| 10                    | 350015Z  | Strainer Pot   | CALL    | CALL      |
| 11                    | 355227z  | O-ring, Diffuser   | 5.04    | 6.06      |
| 12                    | 071660z  | Screw, Diffuser, 2 Req.  | 5.04    | 6.06      |
| 13                    | 072927z  | Diffuser   | 117.48  | 141.16    |
| 14                    | 071652z  | Impeller Screw, 1/4 - 20 x 1 in., LH, Phillips                 | 4.86    | 5.84      |
| 15                    | 075713Z  | Washer, Impeller Screw   | CALL    | CALL      |
| 16                    | 071734s  | Shaft Seal, PA-7 w/ Ceramic Seat, PS1000                       | 46.83   | 56.27     |
| 16                    | 071732s  | Shaft Seal, Ozone/Salt Resistant                               | 39.23   | 47.14     |
| 17                    | 070429z  | Bolt, Motor/Seal Plate, 4 Req.                                 | 4.86    | 5.84      |
| 18                    | 350202   | Seal Plate Kit (Shaft Seal installed) (Incl. Items 9, 16 & 18) | 311.21  | 373.95    |

| Item             | Part No. | Description  | US List | Can. List |
|------------------|----------|--|---------|-----------|
| 19               | 070927   | Motor Foot   | 59.26   | 71.21     |
| 20               | 070929   | Insert, Motor Foot   | 29.73   | 35.72     |
| 21               | 071657z  | Screw, Motor Foot, 2 Req.  | 4.86    | 5.84      |
| 22               | 071406Z  | Nut, Motor Foot, 2 Req.  | 12.37   | 14.86     |
| 23               | 072183   | Washer, Motor Foot, 2 Req.   | 2.38    | 2.86      |
| 24               | 071131z  | Drain Plug, 2 Req.   | 9.51    | 11.43     |
| 25               | 192115   | O-ring, Drain Plug, 2 Req.   | CALL    | CALL      |
| 26               | 357149   | Strainer Pot/Seal Plate Kit, (Incl. Items: 1-4, 9, 10, 16, 18, 24, and 25) | 464.12  | 557.69    |
| 27               | 073130Z  | Impeller   | CALL    | CALL      |
| 28               | 356279   | Drive Cover  | 485.35  | 583.20    |
| 29               | 356282   | Drive Kit  | 1327.11 | 1594.66   |
| 30               | 356286s  | Motor  | 894.85  | 1075.25   |
| 31               | 356289s  | Motor/Drive Assembly   | CALL    | CALL      |
| <b>NOT SHOWN</b> |          |  |         |           |
|                  | 075455   | Fluid Assembly, (Incl. All Items EXCEPT 31)                                | CALL    | CALL      |
|                  | 357243   | Strainer Pot Assembly, (Incl. Items 1-4, 10, 24 and 25)                    | 738.09  | 886.89    |
|                  | 356324z  | RS-485 Automation Wiring Kit   | 116.13  | 139.54    |
|                  | 357923z  | Motor Fan Guard Kit  | CALL    | CALL      |

Product on pages 226–227.

# WHISPERFLO® PUMP REPLACEMENT PARTS



CALIFORNIA PROPOSITION 65 WARNING  
 ⚠️ **WARNING:** Cancer and Reproductive Harm.  
 ⚠️ **AVERTISSEMENT:** Peut Causer le Cancer et des Dommages au Système Reproducteur.  
 ⚠️ **ADVERTENCIA:** Cáncer y Daño Reproductivo.  
[www.p65warnings.ca.gov](http://www.p65warnings.ca.gov) PWD0514

| Item                    | Part No. | Description   | US List | Can. List |
|-------------------------|----------|---|---------|-----------|
| <b>WHISPERFLO PUMPS</b> |          |   |         |           |
| 1                       | 070711   | Clamp band assembly, SS, WF/AQ <sup>5</sup> (old style) | 136.46  | 163.97    |
| 1                       | 357150   | Clamp, Cam & Ramp™, plastic, black, WF <sup>7</sup>     | 73.69   | 88.55     |
| 1                       | 357199Z  | Clamp, Cam & Ramp, plastic, almond, WF <sup>8</sup>     | CALL    | CALL      |
| 1A                      | 071136Z  | Knob, only <sup>5</sup>                                 | 35.63   | 42.81     |
| 2                       | 070795   | Cover, clear, AQ/WFE pump <sup>5</sup> (old style)      | 77.16   | 92.72     |
| 2                       | 357151Z  | Cover, clear, WFE pump <sup>6</sup>                     | 45.21   | 54.32     |
| 2                       | 357156   | Cover, chemical resistant Cam & Ramp                    | 104.66  | 125.76    |
| 3                       | 071422   | O-ring, AQ/WFE cover <sup>5</sup>                       | 10.70   | 12.86     |
| 3                       | 350013Z  | O-ring, WFE cover <sup>6</sup>                          | 5.83    | 7.01      |
| 4                       | 070387Z  | Basket  | 25.85   | 31.06     |
| 5                       | 070430Z  | Bolt, 3/8, 16 x 1-1/4 hex hd. SS, 4 req.                | CALL    | CALL      |
| 6                       | 072184   | Washer, 3/8 x 13/16 o.d. SS, 6 req.                     | 2.38    | 2.86      |
| 7                       | 070431   | Bolt, 3/8, 16 x 1-3/4 hex hd. SS, 2 req.                | 4.25    | 5.11      |
| 8                       | 071403   | Nut, 3/8, 16 hex hd., 2 req.                            | CALL    | CALL      |
| 9                       | 071445   | O-ring parker No.2-265, WFE pump <sup>1,4</sup>         | 26.65   | 32.02     |
| 9                       | 357100Z  | Black Gasket for Seal Plate <sup>14</sup>               | 9.97    | 11.98     |
| 9                       | 357102Z  | Almond Gasket for Seal Plate <sup>15</sup>              | CALL    | CALL      |
| 10                      | 357149   | Volute & Sealplate, Almond Replacement Kit <sup>6</sup> | 464.12  | 557.69    |
| 10                      | 350015Z  | Volute, almond  | CALL    | CALL      |
| 10                      | 357157   | Volute, black   | 352.73  | 423.84    |
| 11                      | 355227Z  | O-ring parker No.2-238, WFE pump                        | 5.04    | 6.06      |
| 12                      | 071660Z  | Set screw, 4-40 x 1-1/8 WFE, 2 req.                     | 5.04    | 6.06      |
| 13                      | 072928Z  | Diffuser assembly, WFE-12, 3 HP; WFK-12, 3HP models     | 58.37   | 70.14     |
| 13                      | 072927Z  | Diffuser assembly, WFE-2-8, 1/2 HP - 2-1/2 HP           | 117.48  | 141.16    |
| 14                      | 071652Z  | Set screw, 1/4, 20 x 1 lh. phillips                     | 4.86    | 5.84      |

| Item          | Part No. | Description  | US List | Can. List |
|---------------|----------|--|---------|-----------|
| 15            | 075713Z  | Rubber washer, WFE pump  | CALL    | CALL      |
| 16            | 071734S  | Seal PA-7 w/ ceramic seat, PS1000  | 46.83   | 56.27     |
| 16            | 071732S  | Mechanical Seal (ozone/salt resistant)   | 39.23   | 47.14     |
| 17            | 070429Z  | Bolt, 3/8-16 X 7/8 SS Hex Head 18-8, 4 req.  | 4.86    | 5.84      |
| 18            | 350202   | Seal Plate Kit, Almond with Gasket (Includes Mechanical Seal Installed and Seal Plate Gasket) Items 9, 16 & 18 | 311.21  | 373.95    |
| 18            | 350101   | Seal Plate Kit WFE Black (Includes Mechanical Seal installed) Items 16 & 18                                    | CALL    | CALL      |
| 19            | 070927   | Foot, WFE-4 pump, almond   | 59.26   | 71.21     |
| 19            | 357159   | Foot, black <sup>9</sup>   | 59.26   | 71.21     |
| 20            | 070929   | Foot insert, WFE pump, almond  | 29.73   | 35.72     |
| 20            | 357160   | Foot insert, WFE pump, black <sup>9</sup>  | 29.73   | 35.72     |
| 21            | 071657Z  | Screw, 1/4, 20 x 1 in. hh. SS, 2 req.  | 4.86    | 5.84      |
| 22            | 071406Z  | Nut, 1/4, 20 hex. hd. SS, 2 req.   | 12.37   | 14.86     |
| 23            | 072183   | Washer, flat 1/4 x 5/8, 2 req.   | 2.38    | 2.86      |
| 24            | 071131Z  | Knob plug drain, almond (2 req.)   | 9.51    | 11.43     |
| 24            | 357161Z  | Knob plug drain, 2 req., black <sup>9</sup>  | 7.80    | 9.37      |
| 25            | 192115Z  | O-Ring drain plug, 2 req.  | 3.90    | 4.69      |
| 26            | 357149   | Almond Volute/Seal plate kit <sup>6</sup> (Includes items 1-4, 9, 10, 16, 18, 24, 25.)                         | 464.12  | 557.69    |
| <b>MOTORS</b> |          |  |         |           |
| 27            | 356363S  | 1.1 THP Motor  | 671.26  | 806.59    |
| 27            | 354803S  | 3/4 HP, 1SP, TEFC  | CALL    | CALL      |
| 27            | 354821S  | 1 HP, 1SP, TEFC, WFET- 4   | 622.43  | 747.91    |
| 27            | 354823S  | 1-1/2 HP, 1SP, TEFC, WFET- 6   | 733.14  | 880.94    |
| 27            | 354815S  | 2 HP, 1SP, TEFC, WFET- 8   | 873.51  | 1049.61   |
| 27            | 354817S  | 3 HP, 1SP, TEFC, WFET- 12  | 1141.45 | 1371.57   |
| 27            | 355008S  | 3/4 HP, 1SP, WFE- 2, 3 & 24  | CALL    | CALL      |
| 27            | 355010S  | 1 HP, 1SP, WFE- 4 & 26   | CALL    | CALL      |
| 27            | 355012S  | 1-1/2 HP, 1SP, WFE- 6 & 28   | CALL    | CALL      |
| 27            | 355014S  | 2 HP, 1SP, WFE-8 & 30  | CALL    | CALL      |

**Note:** Pumps and replacement motors that are single speed and one (1) Total HP or greater cannot be sold, offered for sale, or installed in a residential pool for filtration use in California, Title 20 CCR sections 1601-1609.

Product on pages 228-229.



# WHISPERFLO® PUMP (CONT'D)

## REPLACEMENT PARTS

| Item  | Part No. | Description   | US List | Can. List |
|---|----------|---|---------|-----------|
| <b>MOTORS</b>   |          |   |         |           |
| 27  | 355016S  | 3 HP, 1SP, WFE-12,  | CALL    | CALL      |
| 27  | 350088S  | 3/4 HP, 2 sp, WFDS-3  | CALL    | CALL      |
| 27  | 356630S  | 1 HP, 2 sp., WFDS-4 & 26 <sup>11</sup>                        | CALL    | CALL      |
| 27  | 071320S  | 1-1/2 HP, 2 sp., WFDS-6 & 28 <sup>11</sup>                    | CALL    | CALL      |
| 27  | 071321S  | 2 HP, 2 sp., WFDS-8 & 30 <sup>11</sup>                        | CALL    | CALL      |
| 27  | 355018S  | 1/2 HP, 1SP, WF-2, 23   | CALL    | CALL      |
| 27  | 355020S  | 3/4 HP, 1SP, WF-3, 24   | CALL    | CALL      |
| 27  | 355022S  | 1 HP, 1SP, WF-4, 26   | CALL    | CALL      |
| 27  | 355024S  | 1-1/2 1SP, HP, WF-6, 28                                       | CALL    | CALL      |
| 27  | 355026S  | 2 HP, 1SP, WF-8, 30   | CALL    | CALL      |
| 27  | 355002S  | 1/2 HP, 3PH, 1SP  | CALL    | CALL      |
| 27  | 354805S  | 1 HP, 3PH, 1SP, WFK-4   | 664.45  | 798.40    |
| 27  | 354807S  | 1.5 HP, 3PH, 1SP, WFK-6                                       | 826.13  | 992.68    |
| 27  | 354809S  | 2 HP, 3PH, 1SP, WFK-8   | 921.65  | 1107.45   |
| 27  | 354811S  | 3 HP, 3PH, 1SP, WFK-12  | 1115.65 | 1340.57   |
| <b>IMPELLERS</b>  |          |   |         |           |
| 28  | 073126   | Impeller (WF-2, WF-23, WFE-2, WFK-2,)                         | 154.26  | 185.36    |
| 28  | 073127Z  | Impeller (WFE-3, WFE-24, WF-3, WF-24, WFK-3, WFDS-3, WFDS-24) | CALL    | CALL      |
| 28  | 073128Z  | Impeller (WFE-4, WFE-26, WF-4, WF-26, WFK-4, WFDS-4, WFDS-26) | CALL    | CALL      |
| 28  | 073129Z  | Impeller (WF-6, WF-28, WFE-6, WFE-28, WFK-6, WFDS-6, WFDS-28) | CALL    | CALL      |
| 28  | 073130Z  | Impeller (WF-8, WF-30, WFE-8, WFE-30, WFK-8, WFDS-8, WFDS-30) | CALL    | CALL      |
| 28  | 073131Z  | Impeller (WFE-12, WF-12, WFK-12)                              | CALL    | CALL      |
| <b>POWER END SUBASSY. INCLUDES ITEMS No. 12 THRU 18, 27, 28 , CONT.</b> |          |   |         |           |
|   | 075145   | WFDS-3, WFDS-24   | CALL    | CALL      |
|   | 075136   | WFE-2   | CALL    | CALL      |
|   | 075138   | WFE-4, WFE-26 <sup>3</sup>                                    | CALL    | CALL      |
|   | 075139   | WFE-6, WFE-28 <sup>3</sup>                                    | CALL    | CALL      |
|   | 075140   | WFE-8, WFE-30 <sup>3</sup>                                    | CALL    | CALL      |
|   | 075141   | WFE-12 <sup>3</sup>   | CALL    | CALL      |
|   | 075142   | WFDS-4, WFDS-26 <sup>11</sup>                                 | CALL    | CALL      |
|   | 075143   | WFDS-6, WFDS-28 <sup>11</sup>                                 | CALL    | CALL      |
|   | 075144   | WFDS-8, WFDS-30 <sup>11</sup>                                 | CALL    | CALL      |
|   | 075253   | WF-4, WF-26 <sup>10</sup>                                     | CALL    | CALL      |
|   | 075255   | WF-8, WF-30 <sup>10</sup>                                     | CALL    | CALL      |

| Item                                   | Part No. | Description   | US List | Can. List |
|--|----------|---|---------|-----------|
| <b>FLUID ENDS-ALL PARTS, W/O MOTOR</b> |          |   |         |           |
|  | 075452   | WFE-3 fluid end, 3/4 HP   | CALL    | CALL      |
|  | 075453   | WFE-4 fluid end, 1 HP   | CALL    | CALL      |
|  | 075454   | WFE-6 fluid end, 1-1/2 HP   | CALL    | CALL      |
|  | 075455   | WFE-8 fluid end, 2 HP   | CALL    | CALL      |
|  | 075456   | WFE-12 fluid end, 3 HP  | CALL    | CALL      |
| <b>NOT SHOWN</b>                       |          |   |         |           |
|  | 79129900 | 2-Speed Toggle Switch with Mounting plate   | 75.42   | 90.62     |
|  | 350202   | Seal Plate Kit: Seal plate (almond), Gasket (black), with installed Seal (Includes items 9, 16, & 18) | 311.21  | 373.95    |
|  | 350203   | Seal Plate Kit: Seal plate (black), Gasket (black), with installed Seal (Includes items 9, 16, & 18)  | 311.21  | 373.95    |
|  | 356198   | WhisperFlo/IntelliFlo Quick Kit (includes 16, 9, 11, 3, 145, 25(x2))                                  | 51.68   | 62.10     |
|  | 357243   | Pot Assembly, Almond NPT. (Includes items 1-4, 10, 24 (qty. 2), 25 (qty. 2))                          | 738.09  | 886.89    |
|  | 357244   | Pot Assembly, Black NPT. (Includes items 1-4, 10, 24 (qty. 2), 25 (qty. 2))                           | 738.09  | 886.89    |
|  | 355002S  | Motor for Pump 340061   | CALL    | CALL      |
|  | 400013Z  | ODP Motor End Cap and Screw   | 40.15   | 48.24     |
|  | 357923Z  | Fan Guard Kit TEFC/Super-Duty   | CALL    | CALL      |
|  | 350199   | Seal Plate Kit (ozone/salt resistant)   | 303.94  | 365.21    |

- <sup>1</sup> Used on pumps manufactured before 6-94.
- <sup>2</sup> Used on pumps manufactured after 6-94.
- <sup>3</sup> Energy efficient single phase.
- <sup>4</sup> Pumps manufactured before 11-98 require a volute replacement kit (357149) when replacing items No.9-gasket, No.10-volute, or No.18-seal plate. This kit will update the pump to the new configuration using the "Cam and Ramp" lid design.
- <sup>5</sup> Used on pumps manufactured before 11-98.
- <sup>6</sup> Used on pumps manufactured after 11-98. Includes items 1-4, 9, 10, 16, 18, 24, 25.
- <sup>7</sup> Used on pumps manufactured between 11-98 thru 12-17-99.
- <sup>8</sup> Used on pumps manufactured after 12-17-99.
- <sup>9</sup> CSA/CUL (only) for Canada.
- <sup>10</sup> Standard efficiency, single phase.
- <sup>11</sup> Two Speed, single phase.
- <sup>12</sup> Includes items 16 & 18.
- <sup>14</sup> 2-1-08 to present.
- <sup>15</sup> 1-31-08 and prior.

**Note: Pumps and replacement motors that are single speed and one (1) Total HP or greater cannot be sold, offered for sale, or installed in a residential pool for filtration use in California, Title 20 CCR sections 1601-1609.**

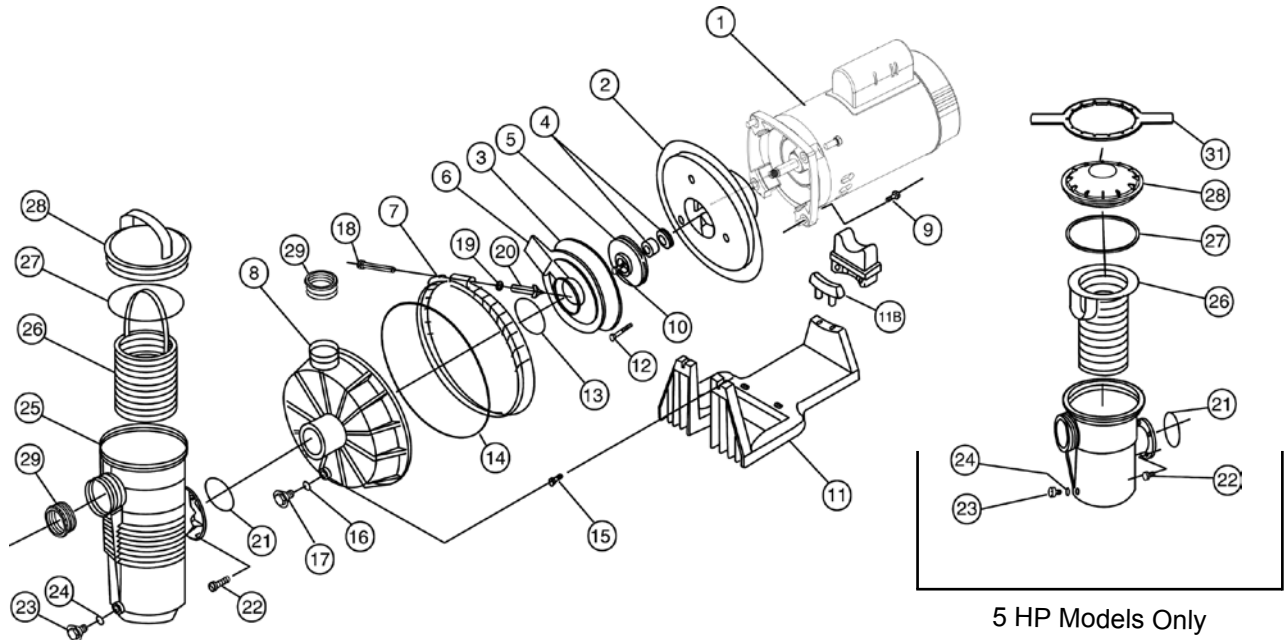
CALIFORNIA PROPOSITION 65 WARNING

⚠ **WARNING:** Cancer and Reproductive Harm.  
⚠ **AVERTISSEMENT:** Peut Causer le Cancer et des Dommages au Système Reproducteur.  
⚠ **ADVERTENCIA:** Cáncer y Daño Reproductivo.

www.p65warnings.ca.gov. P65019A

# CHALLENGER® HIGH FLOW PUMP

## REPLACEMENT PARTS



5 HP Models Only

| Item                                    | Part No. | Description                                    | US List | Can. List |
|---|----------|--|---------|-----------|
| <b>CHALLENGER HIGH FLOW PUMP MOTORS</b> |          |  |         |           |
| 1                                       | 354804S  | 3/4HP, 1SP,1PH, TEFC, 115/208-230              | CALL    | CALL      |
| 1                                       | 354822S  | 1HP, 1SP,1PH, TEFC, 115/208-230                | 622.43  | 747.91    |
| 1                                       | 354824S  | 1-1/2HP, 1SP,1PH, TEFC, 208-230                | 733.14  | 880.94    |
| 1                                       | 354816S  | 2HP, 1SP,1PH, TEFC, 208-230                    | 873.51  | 1049.61   |
| 1                                       | 355019S  | 1/2F, 3/4A std. sq. fig., 115/208-230          | CALL    | CALL      |
| 1                                       | 355021S  | 3/4F, 1A std. sq. fig., 115/208-230            | CALL    | CALL      |
| 1                                       | 355023S  | 1F, 1-1/2A std. sq. fig., 115/208-230          | CALL    | CALL      |
| 1                                       | 355025S  | 1-1/2F, 2A std. sq. fig., 115/208-230          | CALL    | CALL      |
| 1                                       | 355027S  | 2F, 2-1/2A std. sq. fig., 208-230              | CALL    | CALL      |
| 1                                       | 355034S  | 3F std. sq. fig. 230 only                      | CALL    | CALL      |
| 1                                       | 355009S  | 3/4FE, 1AE sq. fig. 115/208-230                | CALL    | CALL      |
| 1                                       | 355011S  | 1FE, 1-1/2AE sq. fig. 115/208-230              | CALL    | CALL      |
| 1                                       | 355013S  | 1-1/2FE, 2AE sq. fig. 208-230                  | CALL    | CALL      |
| 1                                       | 355015S  | 2FE, 2-1/2AE sq. fig. 208-230                  | CALL    | CALL      |
| 1                                       | 355017S  | 3FE, 1 ph sq. fig. 208-230                     | CALL    | CALL      |
| 1                                       | 353319S  | 5FE, 1 ph, 5 HP, 208-230                       | CALL    | CALL      |
| 1                                       | 355375S  | 3/4F, 1A std. sq. fig. 2 sp. 115 only, 28 lbs. | CALL    | CALL      |
| 1                                       | 355232S  | 3/4F, 1A std. sq. fig. 2 sp. 230 only          | CALL    | CALL      |
| 1                                       | 355376S  | 1F, 1-1/2A std. sq. fig. 2 sp. 230 only        | CALL    | CALL      |
| 1                                       | 355377S  | 1-1/2F, 2A std. sq. fig. 2 sp. 230 only        | CALL    | CALL      |

| Item | Part No. | Description                             | US List | Can. List |
|------|----------|---|---------|-----------|
| 1    | 355378S  | 2F, 2-1/2A std. sq. fig. 2 sp. 230 only | CALL    | CALL      |
| 2    | 355004Z  | Plate, seal - black                     | CALL    | CALL      |
| 3    | 355028   | Plate, mounting 1/2F, 3/4F, 3/4A, 1A    | 36.59   | 43.97     |
| 3    | 355078   | Plate, mounting 1F, 1-1/2F, 1-1/2A, 2A  | 23.02   | 27.66     |
| 3    | 355095   | Plate, mounting 2F, 2-1/2A              | 39.76   | 47.78     |
| 3    | 355495   | Plate, mounting 5F                      | 21.27   | 25.56     |
| 4    | 354545S  | Seal, 5/8 in. mechanical                | 44.23   | 53.15     |
|      | 356210S  | Seal, mechanical (ozone/salt resistant) | 49.29   | 59.23     |
| 5    | 355043   | Impeller, 1/2F, 3/4A                    | 84.10   | 101.05    |
| 5    | 355067Z  | Impeller, 3/4F, 1A                      | CALL    | CALL      |
| 5    | 355074Z  | Impeller, 1F, 1-1/2A                    | CALL    | CALL      |
| 5    | 355086Z  | Impeller, 1-1/2F, 2A                    | CALL    | CALL      |
| 5    | 355093   | Impeller, 2F, 2-1/2A                    | 88.97   | 106.91    |
| 5    | 355068   | Impeller, 3F 50 Hz/5F 60 Hz             | 85.78   | 103.07    |
| 6    | 355029   | Diffuser, 1/2F, 3/4F, 3/4A, 1A          | 62.48   | 75.08     |
| 6    | 355077   | Diffuser, 1F, 1-1/2F, 1-1/2A, 2A        | 62.48   | 75.08     |
| 6    | 355094   | Diffuser, 2F, 2-1/2A                    | 66.97   | 80.47     |
| 6    | 355069   | Diffuser, 3F, 50 Hz/5F 60 Hz            | 57.77   | 69.42     |
| 7    | 354629   | Band clamp assembly, complete           | 122.90  | 147.68    |

**Note: Pumps and replacement motors that are single speed and one (1) Total HP or greater cannot be sold, offered for sale, or installed in a residential pool for filtration use in California, Title 20 CCR sections 1601-1609.**

CALIFORNIA PROPOSITION 65 WARNING  
 ⚠️ **WARNING:** Cancer and Reproductive Harm.  
 ⚠️ **AVERTISSEMENT:** Peut Causer le Cancer et des Dommages au Système Reproducteur.  
 ⚠️ **ADVERTENCIA:** Cáncer y Daño Reproductivo.  
[www.p65warnings.ca.gov](http://www.p65warnings.ca.gov)

Replacement baskets on page 194.

# CHALLENGER® HIGH FLOW PUMP (CONT'D)

## REPLACEMENT PARTS

| Item                              | Part No. | Description                                      | US List | Can. List |
|-----------------------------------|----------|--|---------|-----------|
| <b>CHALLENGER HIGH FLOW PUMPS</b> |          |  |         |           |
| 8                                 | 355468Z  | Housing, front, black <sup>4</sup>               | CALL    | CALL      |
| 8                                 | 355469   | Housing, front, almond <sup>4</sup>              | 229.15  | 275.35    |
| 9                                 | 070429Z  | Bolt, 3/8-16 X 7/8 SS Hex Head 18-8, 4 req.      | 4.86    | 5.84      |
| 10                                | 355389Z  | Screw, impeller locking                          | CALL    | CALL      |
| 11                                | 355305   | Base, pump <sup>1</sup>                          | 76.45   | 91.86     |
| 11B                               | 355385   | Adapter, 5-5/8 in. dia. motor <sup>2</sup>       | 19.53   | 23.47     |
| 12                                | 355334Z  | Screw, No.8, 32 hex wsh. hd., 3 req.             | 4.86    | 5.84      |
| 13                                | 355030Z  | O-ring, diffuser (all except 5 HP)               | 14.49   | 17.41     |
| 13                                | 355331Z  | O-ring diffuser, 5 HP only                       | 4.86    | 5.84      |
| 14                                | 355329Z  | O-ring, front housing                            | 25.95   | 31.18     |
| 15                                | 355335   | Screw, 5/16, 18 x 1/2 in. SS hex hd., 2 req.     | 2.38    | 2.86      |
| 16                                | 192115Z  | O-ring, drain plug                               | 3.90    | 4.69      |
| 17                                | 357161Z  | Plug, 1/4 in. drain                              | 7.80    | 9.37      |
| 18                                | 152060   | Bolt, 5/16, 18 x 4 in. carriage <sup>2</sup>     | 16.56   | 19.90     |
| 19                                | 072173   | Washer, 5/16 in. SS flat                         | 2.73    | 3.28      |
| 20                                | 174882   | Knob (fits clamp w/ removable bolt only)         | 54.34   | 65.29     |
| 20                                | 175025   | Knob (fits clamp w/ captured T-bolt only)        | 54.34   | 65.29     |
| 21                                | 355330Z  | O-ring, strainer pot flange                      | CALL    | CALL      |
| 22                                | 354265   | Screw, 5/16, 18 hex wsh. hd., 4 req.             | 3.31    | 3.98      |
| 23                                | 357161Z  | Plug, 1/4 in. drain                              | 7.80    | 9.37      |
| 24                                | 192115Z  | O-ring, drain plug                               | 3.90    | 4.69      |
| 25                                | 355300Z  | Strainer, pot, black <sup>3</sup>                | CALL    | CALL      |
| 26                                | 355318Z  | Basket, plastic strainer                         | 63.40   | 76.18     |
| 26                                | 355441   | Basket, SS Strainer (3F Only)                    | 292.08  | 350.96    |
| 26                                | 355901   | Basket, SS strainer, 5F                          | 633.13  | 760.77    |
| 27                                | 350013Z  | O-ring, lid                                      | 5.83    | 7.01      |
| 27                                | 152509Z  | Square ring, 8-1/2 in. (5 HP only)               | 11.33   | 13.61     |
| 28                                | 355301Z  | Lid, strainer pot                                | CALL    | CALL      |
| 28                                | 354112   | Lid, strainer pot, chemical resistant            | 99.48   | 119.54    |
| 28                                | 355902   | Lid, strainer pot, 5F, clear                     | 115.37  | 138.63    |
| 28                                | 355914   | Lid, strainer pot, 5F, black, chemical resistant | 97.06   | 116.63    |
| 29                                | 552377   | Bushing, reducer 1/2F, 3/4F, 3/4A, 1A, 2 req.    | 22.11   | 26.57     |
| 31                                | 154527Z  | Wrench, 8-1/2 in.                                | CALL    | CALL      |

| Item   | Part No. | Description  | US List | Can. List |
|--|----------|--|---------|-----------|
| <b>POWER END ASSEMBLIES (INCLUDES ITEMS 1-6, 9, 12 AND 13)</b> |          |  |         |           |
|  | 355637   | CF-N1-3/4F, 1A std., 115/208-230   | CALL    | CALL      |
|  | 355984   | CF-N1-3/4FE, 1AE 115/208-230   | CALL    | CALL      |
|  | 355639   | CF-N1-1-1/2FE, 2AE 208-230   | CALL    | CALL      |
|  | 355986   | CF-N1-2FE, 2-1/2AE 208-230   | CALL    | CALL      |
|  | 355641   | CF-N2-1F, 1-1/2A 2 sp. std., 230 only  | CALL    | CALL      |
|  | 345211   | CFII-N1-5FE, power end   | CALL    | CALL      |
| <b>NOT SHOWN</b>   |          |  |         |           |
|  | 355309   | Union kit  | 169.33  | 203.47    |
|  | 356199   | Challenger Quick Kit (includes 4, 13, 14, 21, 27, 16, 24)                                    | 56.41   | 67.78     |
|  | 357391   | Pot Assembly, Black with SS basket (3F Only) Includes items 23-28                            | 1065.38 | 1280.16   |
|  | 359507   | Pot Assembly, Black with plastic bracket (all models except 3F and 5F) Includes items 23-28. | 398.77  | 479.16    |
|  | 401014Z  | Motor End Cap and Screw  | 40.15   | 48.24     |
|  | 357924Z  | Fan Guard Kit TEFC/Super-Duty  | CALL    | CALL      |

- <sup>1</sup> Pump base (item 11) includes dual radius motor support adapter (item 11B) which fits both 5-5/8 in. & 6-1/2 in. dia. motors.
- <sup>2</sup> Item 18, carriage bolt is a replacement part for old style clamp band assembly (item 7).
- <sup>3</sup> Includes items 23 & 24.
- <sup>4</sup> Includes items 16 & 17.

Note: Challenger booster pumps consist of 1-20.

Note: Challenger pumps consist of all items except No.15.

Note: When ordering replacement motor, give all information on motor name plate.

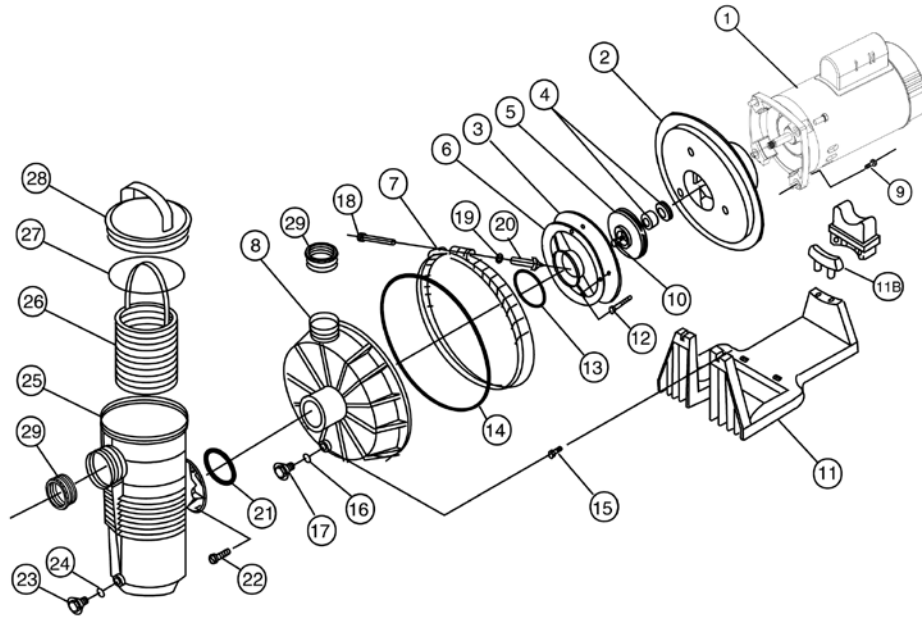
**Note: Pumps and replacement motors that are single speed and one (1) Total HP or greater cannot be sold, offered for sale, or installed in a residential pool for filtration use in California, Title 20 CCR sections 1601-1609.**

CALIFORNIA PROPOSITION 65 WARNING

**WARNING:** Cancer and Reproductive Harm.  
**AVERTISSEMENT:** Peut Causer le Cancer et des Dommages au Système Reproducteur.  
**ADVERTENCIA:** Cáncer y Daño Reproductivo.

[www.p65warnings.ca.gov](http://www.p65warnings.ca.gov)
PR030716A

# CHALLENGER® HIGH PRESSURE PUMP REPLACEMENT PARTS



| Item  | Part No. | Description                                    | US List | Can. List |
|---|----------|--|---------|-----------|
| <b>CHALLENGER HIGH PRESSURE PUMP MOTORS</b> |          |  |         |           |
| 1   | 354804S  | 3/4HP, 1SP,1PH, TEFC, 115/208-230              | CALL    | CALL      |
| 1   | 354822S  | 1HP, 1SP,1PH, TEFC, 115/208-230                | 622.43  | 747.91    |
| 1   | 354824S  | 1-1/2HP, 1SP,1PH, TEFC, 208-230                | 733.14  | 880.94    |
| 1   | 354816S  | 2HP, 1SP,1PH, TEFC, 208-230                    | 873.51  | 1049.61   |
| 1   | 354818S  | 3HP, 1SP, 1PH, TEFC, 208-230                   | 1141.45 | 1371.57   |
| 1   | 355019S  | 1/2F, 3/4A std. sq. fig., 115/208-230          | CALL    | CALL      |
| 1   | 355021S  | 3/4F, 1A std. sq. fig., 115/208-230            | CALL    | CALL      |
| 1   | 355023S  | 1F, 1-1/2A std. sq. fig., 115/208-230          | CALL    | CALL      |
| 1   | 355025S  | 1-1/2F, 2A std. sq. fig., 115/208-230          | CALL    | CALL      |
| 1   | 355027S  | 2F, 2-1/2A std. sq. fig., 208-230              | CALL    | CALL      |
| 1   | 355034S  | 3F std. sq. fig. 230 only                      | CALL    | CALL      |
| 1   | 355009S  | 3/4FE, 1AE sq. fig. 115/208-230                | CALL    | CALL      |
| 1   | 355011S  | 1FE, 1-1/2AE sq. fig. 115/208-230              | CALL    | CALL      |
| 1   | 355013S  | 1-1/2FE, 2AE sq. fig. 208-230                  | CALL    | CALL      |
| 1   | 355015S  | 2FE, 2-1/2AE sq. fig. 208-230                  | CALL    | CALL      |
| 1   | 355017S  | 3FE, 1 ph sq. fig. 208-230                     | CALL    | CALL      |
| 1   | 353319S  | 5FE, 1 ph, 5 HP, 208-230                       | CALL    | CALL      |
| 1   | 355375S  | 3/4F, 1A std. sq. fig. 2 sp. 115 only, 28 lbs. | CALL    | CALL      |
| 1   | 355232S  | 3/4F, 1A std. sq. fig. 2 sp. 230 only          | CALL    | CALL      |
| 1   | 355376S  | 1F, 1-1/2A std. sq. fig. 2 sp. 230 only        | CALL    | CALL      |
| 1   | 355377S  | 1-1/2F, 2A std. sq. fig. 2 sp. 230 only        | CALL    | CALL      |
| 1   | 355378S  | 2F, 2-1/2A std. sq. fig. 2 sp. 230 only        | CALL    | CALL      |
| 1   | 354806S  | 1 HP, 3 ph sq. fig. 208-230/460                | 664.45  | 798.40    |
| 1   | 354808S  | 1-1/2 HP, 3 ph sq. fig. 208-230/460            | 826.13  | 992.68    |
| 1   | 354810S  | 2 HP, 3 ph sq. fig. 208-230/460                | 921.65  | 1107.45   |
| 1   | 354812S  | 3HP, 3 ph sq. fig. 208-230/460                 | 1115.65 | 1340.57   |
| 1   | 354814S  | 5HP, 3 ph, sq. fig. 208-230/460                | 1356.15 | 1629.55   |
| 2   | 355004Z  | Plate, seal - black                            | CALL    | CALL      |

| Item | Part No. | Description                                 | US List | Can. List |
|------|----------|---|---------|-----------|
| 3    | 355384   | Plate, mounting 1/2F, 3/4A                  | 46.89   | 56.34     |
| 3    | 355317   | Plate, mount 3/4F thru 3F, 1A thru 2-1/2A   | 23.02   | 27.66     |
| 4    | 354545S  | Seal, 5/8 in. mechanical PS 200             | 44.23   | 53.15     |
|      | 356210S  | Seal, mechanical (ozone/salt resistant)     | 49.29   | 59.23     |
| 5    | 355147   | Impeller, 1/2F, 3/4A                        | 84.10   | 101.05    |
| 5    | 355187   | Impeller, 3/4F, 1A                          | 85.78   | 103.07    |
| 5    | 355369Z  | Impeller, 1F, 1-1/2A                        | CALL    | CALL      |
| 5    | 355315Z  | Impeller, 1-1/2F, 2A                        | CALL    | CALL      |
| 5    | 355604Z  | Impeller, 2F, 2-1/2A <sup>1</sup>           | CALL    | CALL      |
| 5    | 355544   | Impeller, 3F                                | 114.13  | 137.14    |
| 6    | 355148   | Diffuser, 1/2F, 3/4A                        | 51.25   | 61.58     |
| 6    | 355188Z  | Diffuser, 3/4F, 1F, 1A, 11/2A               | CALL    | CALL      |
| 6    | 355270Z  | Diffuser, 1-1/2F, 2A                        | CALL    | CALL      |
| 6    | 355545Z  | Diffuser, 3F, 2.5A, 2F <sup>2</sup>         | CALL    | CALL      |
| 7    | 355320   | Band, clamp assembly complete               | 133.90  | 160.89    |
| 8    | 355468Z  | Housing, front, black                       | CALL    | CALL      |
| 8    | 355469   | Housing, front, almond                      | 229.15  | 275.35    |
| 9    | 070429Z  | Bolt, 3/8-16 X 7/8 SS Hex Head 18-8, 4 req. | 4.86    | 5.84      |
| 10   | 355389Z  | Screw, imp. locking                         | CALL    | CALL      |
| 11   | 355305   | Base, pump <sup>3</sup>                     | 76.45   | 91.86     |
| 11B  | 355385   | Adapter, 5-5/8 in. dia. motor <sup>4</sup>  | 19.53   | 23.47     |
| 12   | 355334Z  | Screw, 8-32 x 1 in. SS hex wsh. hd., 3 req. | 4.86    | 5.84      |
| 13   | 355331Z  | O-ring, diffuser                            | 4.86    | 5.84      |

**CALIFORNIA PROPOSITION 65 WARNING**

⚠ **WARNING:** Cancer and Reproductive Harm.  
 ⚠ **AVERTISSEMENT:** Peut Causer le Cancer et des Dommages au Système Reproducteur.  
 ⚠ **ADVERTENCIA:** Cáncer y Daño Reproductivo.  
[www.p65warnings.ca.gov](http://www.p65warnings.ca.gov)

# CHALLENGER® HIGH PRESSURE PUMP (CONT'D)

## REPLACEMENT PARTS

| Item                                  | Part No. | Description   | US List | Can. List |
|---------------------------------------|----------|---|---------|-----------|
| <b>CHALLENGER HIGH PRESSURE PUMPS</b> |          |   |         |           |
| 14                                    | 355329Z  | O-ring, front housing                                 | 25.95   | 31.18     |
| 15                                    | 355335   | Screw, 5/16 in., 18 x 1/2 in. SS hex wsh. hd., 2 req. | 2.38    | 2.86      |
| 16                                    | 192115Z  | O-ring, drain plug                                    | 3.90    | 4.69      |
| 17                                    | 357161Z  | Plug, 1/4 in. drain                                   | 7.80    | 9.37      |
| 18                                    | 152060   | Bolt, 5/16 in., 18 x 4 in. carriage <sup>5</sup>      | 16.56   | 19.90     |
| 19                                    | 072173   | Washer, 5/16 in. SS flat                              | 2.73    | 3.28      |
| 20                                    | 174882   | Knob (fits clamp w/ removable bolt only)              | 54.34   | 65.29     |
| 20                                    | 175025   | Knob (fits clamp w/ captured t-bolt only)             | 54.34   | 65.29     |
| 21                                    | 355330Z  | O-ring, strainer pot flange                           | CALL    | CALL      |
| 22                                    | 354265   | Screw, 5/16 in., 18 x 3/4 in. SS hex wsh. hd., 4 req. | 3.31    | 3.98      |
| 23                                    | 357161Z  | Plug, 1/4 in. drain                                   | 7.80    | 9.37      |
| 24                                    | 192115Z  | O-ring, drain plug                                    | 3.90    | 4.69      |
| 25                                    | 355300Z  | Pot strainer  | CALL    | CALL      |
| 26                                    | 355318Z  | Basket, plastic strainer (all except 3F)              | 63.40   | 76.18     |
| 26                                    | 355441   | Basket, SS strainer (3F only)                         | 292.08  | 350.96    |
| 27                                    | 350013Z  | O-ring, lid   | 5.83    | 7.01      |
| 28                                    | 355301Z  | Lid, strainer pot                                     | CALL    | CALL      |
| 28                                    | 354112   | Lid, strainer pot chemical resistant                  | 99.48   | 119.54    |
| 29                                    | 552377   | Bushing, reducer 1/2F, 3/4F, 3/4A, 1A                 | 22.11   | 26.57     |

| <b>POWER END ASSEMBLIES (INCLUDES ITEMS 1-6, 9, 10, 12 AND 13)</b> |        |   |      |      |
|--|--------|---|------|------|
|  | 355670 | CH-N1-1/2F, 3/4A std. power end 115/208-230       | CALL | CALL |
|  | 355671 | CH-N1-3/4F, 1A std. power end 115/208-230         | CALL | CALL |
|  | 355672 | CH-N1-1F, 1-1/2A std. power end 115/208-230       | CALL | CALL |
|  | 355669 | CH-N1-11/2F, 2A std. power end 115/208-230        | CALL | CALL |
|  | 355674 | CH-N1-1FE, 1-1/2AE power end 115/208-230          | CALL | CALL |
|  | 355675 | CH-N1-1-1/2FE, 2AE power end 208-230              | CALL | CALL |
|  | 355676 | CH-N1-2FE, 2-1/2AE power end 208-230 <sup>1</sup> | CALL | CALL |

| Item             | Part No. | Description  | US List | Can. List |
|------------------|----------|--|---------|-----------|
| <b>NOT SHOWN</b> |          |  |         |           |
|                  | 355302   | Housing booster pump   | 317.09  | 381.02    |
|                  | 355309   | Union Kit  | 169.33  | 203.47    |
|                  | 357391   | Pot Assembly, Black with SS basket (3F Only) Includes items 23-28                            | 1065.38 | 1280.16   |
|                  | 359507   | Pot Assembly, Black with plastic bracket (all models except 3F and 5F) Includes items 23-28. | 398.77  | 479.16    |
|                  | 356199   | Challenger Quick Kit (includes 4, 13, 14, 21, 27, 16, 24)                                    | 56.41   | 67.78     |
|                  | 401014Z  | Motor End Cap and Screw  | 40.15   | 48.24     |
|                  | 357924Z  | Fan Guard Kit TEFC/Super-Duty  | CALL    | CALL      |

<sup>1</sup> Used on 2F, 2-1/2A pumps built after 10-1-92.

<sup>2</sup> Used on 2F, 2-1/2A pumps built prior to 10-1-92. Must replace w/ both diffuser 355545Z & impeller 355604Z.

<sup>3</sup> Pump base, (item 11) includes dual radius motor support adapter (item 11B), which fits both 5-5/8 in. & 6-1/2 in. dia. motors.

<sup>4</sup> Item 11A motor support is a replacement part that fits only older style pump bases with rectangular opening.

<sup>5</sup> Carriage bolt (item 18) fits prev. style clamp band assembly (item 7).

Note: Challenger booster pumps consist of items 1-20.

Note: Challenger pool pumps consist of all items except item 15.

**Note: Pumps and replacement motors that are single speed and one (1) Total HP or greater cannot be sold, offered for sale, or installed in a residential pool for filtration use in California, Title 20 CCR sections 1601-1609.**

CALIFORNIA PROPOSITION 65 WARNING

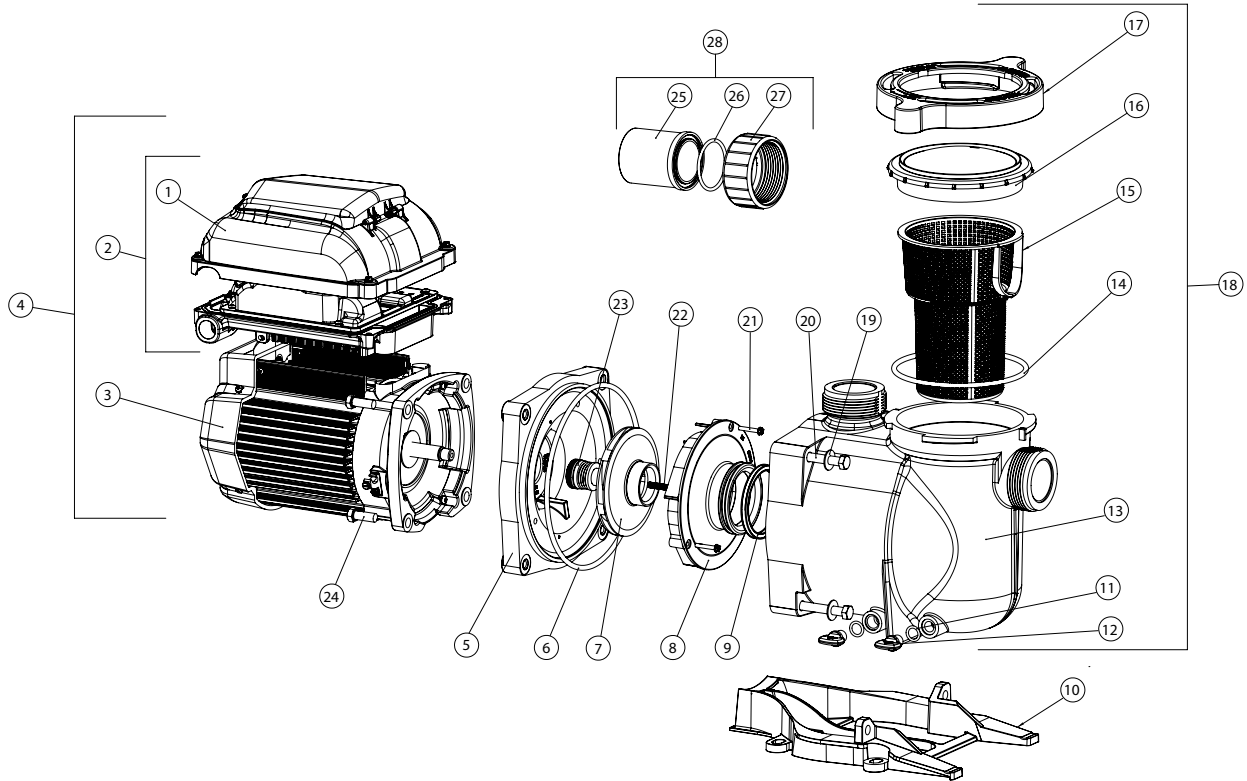
▲ **WARNING:** Cancer and Reproductive Harm.  
▲ **AVERTISSEMENT:** Peut Causer le Cancer et des Dommages au Système Reproducteur.  
▲ **ADVERTENCIA:** Cáncer y Daño Reproductivo.

[www.p65warnings.ca.gov](http://www.p65warnings.ca.gov)
P192017A

# SUPERFLO® VS/VST VARIABLE SPEED PUMP- AFTER OCTOBER 2020

## SUPERMAX® VS VARIABLE SPEED PUMP- AFTER OCTOBER 2020

### REPLACEMENT PARTS



# SUPERFLO® VS/VST VARIABLE SPEED PUMP- AFTER OCTOBER 2020

## SUPERMAX® VS VARIABLE SPEED PUMP- AFTER OCTOBER 2020

### REPLACEMENT PARTS

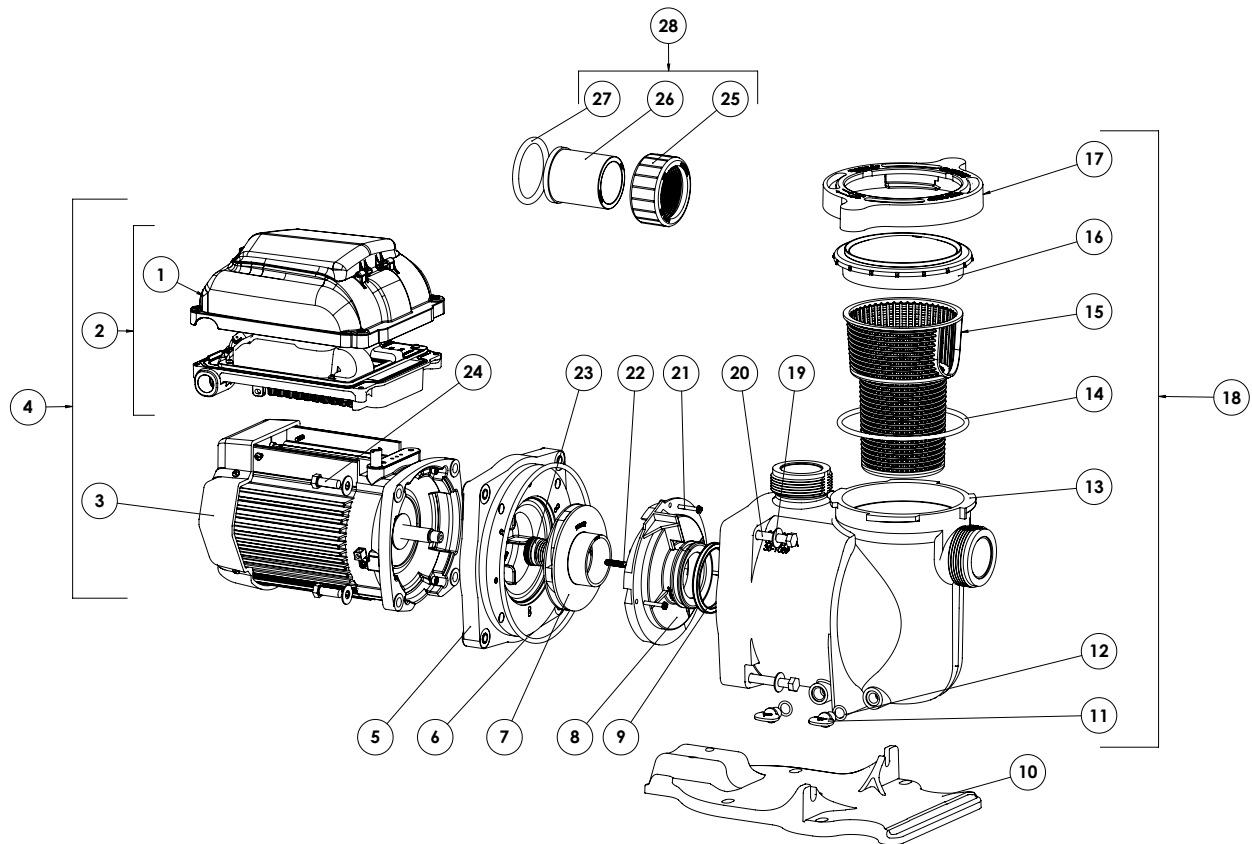
| Item  | Part No.     | Description  | US List | Can. List |
|---|--------------|--|---------|-----------|
| <b>SUPERFLO VS/VST &amp; SUPERMAX VS VARIABLE SPEED PUMPS</b> |              |  |         |           |
| 1   | 353123       | Drive Cover, Almond  | 458.94  | 551.46    |
| 1   | 356279       | Drive Cover (RS-485), Almond                               | 485.35  | 583.20    |
| 1   | 356280       | Drive Cover (RS-485), Black                                | 485.35  | 583.20    |
| 2   | 356282       | Drive Kit, (RS-485), Almond                                | 1327.11 | 1594.66   |
| 2   | 356283       | Drive Kit, (RS-485), Black                                 | 1327.11 | 1594.66   |
| 3   | 356286S      | Motor TEFC, Almond   | CALL    | CALL      |
| 3   | 356287S      | Motor TEFC, Black  | CALL    | CALL      |
| 4   | 356288S      | Motor/Drive Assembly, Almond                               | CALL    | CALL      |
| 4   | 356289S      | Motor/Drive Assembly (RS-485), Almond                      | CALL    | CALL      |
| 4   | 356290S      | Motor/Drive Assembly (RS-485), Black                       | CALL    | CALL      |
| 5   | 356071Z      | Sealplate <sup>4</sup> , Almond                            | 134.62  | 161.76    |
| 5   | 356072Z      | Sealplate, Black   | 134.62  | 161.76    |
| 6   | 355619Z      | Sealplate Gasket   | 16.72   | 20.09     |
| 7   | C105-238PDCA | Impeller   | 124.42  | 149.50    |
| 8   | 355949Z      | Diffuser   | 148.30  | 178.20    |
| 9   | 355331Z      | Diffuser Seal  | 4.86    | 5.84      |
| 10  | 350094       | Base, Almond   | 148.70  | 178.68    |
| 10  | 351094       | Base, Black  | 148.72  | 178.70    |
| 11  | 071131Z      | Drain Plug, Almond (2 req.)                                | 9.51    | 11.43     |
| 11  | 357161Z      | Drain Plug, Black (Qty. 2)                                 | 7.80    | 9.37      |
| 12  | 192115Z      | O-Ring Drain Plug (Qty. 2)                                 | 3.90    | 4.69      |
| 13  | 350089Z      | Strainer Pot, Almond                                       | CALL    | CALL      |
| 13  | 351089       | Strainer Pot, Black  | 422.73  | 507.95    |
| 14  | 357255Z      | Lid O-Ring   | 8.53    | 10.25     |
| 15  | 355667Z      | Strainer Basket  | CALL    | CALL      |
| 16  | 350091Z      | Lid  | CALL    | CALL      |
| 17  | 350090Z      | Locking Ring, Almond                                       | CALL    | CALL      |
| 17  | 351090       | Locking Ring, Black  | 62.53   | 75.14     |
| 18  | 353010       | Strainer Pot Assembly, Almond (Includes Items 11-17)       | 624.26  | 750.11    |
| 18  | 353110       | Strainer Pot Assembly, Black (Includes Items 11-17)        | 582.61  | 700.06    |
| 19  | 072184       | Washer 3/8 In. SS, (Qty. 4)                                | 2.38    | 2.86      |
| 20  | 355621       | Bolt, Hex 3/8-16 X 2 1/4, (Qty. 4)                         | 7.71    | 9.26      |
| 21  | 355334Z      | Diffuser Screw (Qty. 3)                                    | 4.86    | 5.84      |
| 22  | 355389Z      | Impeller Screw   | CALL    | CALL      |
| 23  | 17351-0101S  | Shaft Seal   | 40.29   | 48.41     |
| 24  | 354290       | Bolt, Hex, 3/8-16 (Qty. 4)                                 | CALL    | CALL      |
| 25  | 350093       | Union Adapter, (Qty. 2)                                    | 28.10   | 33.76     |
| 26  | 6020018Z     | Union Adapter O-ring (Qty. 2)                              | CALL    | CALL      |
| 27  | 270141Z      | Union Nut, Black (Qty. 2)                                  | CALL    | CALL      |
| 28  | 351157       | SuperFlo/SuperMax Union Kit (includes items 25-27) (Qty 2) | 130.75  | 157.11    |
| *   | 356324Z      | RS-485 Automation Wiring Kit, 25 ft.                       | 116.13  | 139.54    |
| *   | 357923Z      | Motor Fan Guard Kit, TEFC Super-Duty, Almond               | CALL    | CALL      |
| *   | 357924Z      | Motor Fan Guard Kit, TEFC Super-Duty, Black                | CALL    | CALL      |

\* Not Shown

# SUPERFLO® VS/VST VARIABLE SPEED PUMP- BEFORE NOVEMBER 2020

# SUPERMAX® VS VARIABLE SPEED PUMP- BEFORE NOVEMBER 2020

## REPLACEMENT PARTS





# SUPERFLO® VS/VST VARIABLE SPEED PUMP- BEFORE NOVEMBER 2020

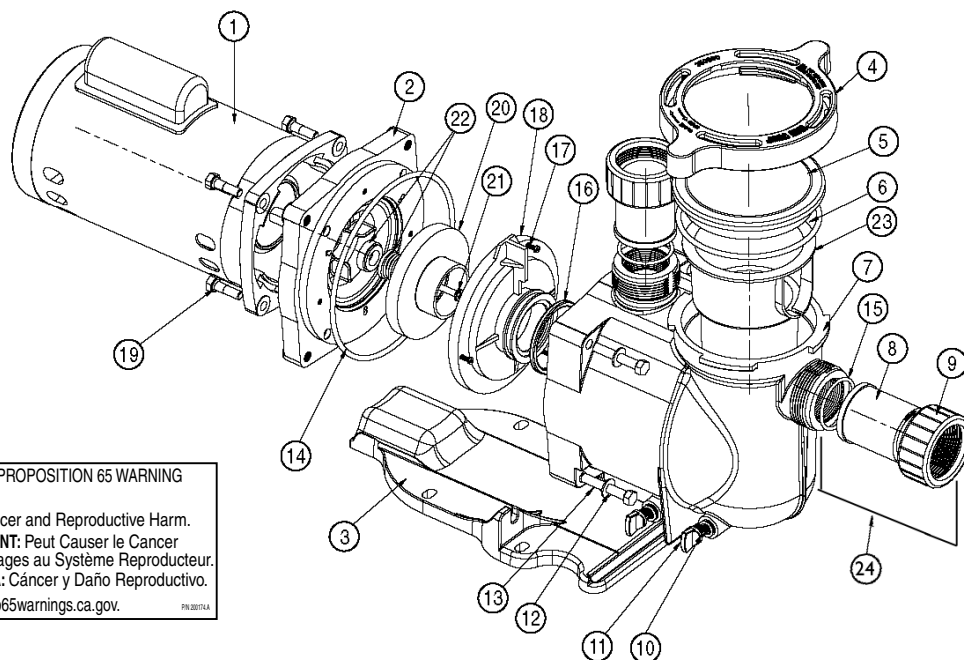
## SUPERMAX® VS VARIABLE SPEED PUMP- BEFORE NOVEMBER 2020

### REPLACEMENT PARTS

| Item  | Part No.     | Description  | US List | Can. List |
|---|--------------|--|---------|-----------|
| <b>SUPERFLO VS/VST &amp; SUPERMAX VS VARIABLE SPEED PUMPS</b> |              |  |         |           |
| 1   | 353123       | Drive Cover, Almond  | 458.94  | 551.46    |
| 1   | 353124       | Drive Cover, Black   | 458.94  | 551.46    |
| 2   | 353127       | Drive Kit, Almond  | 1262.04 | 1516.47   |
| 2   | 353128       | Drive Kit, Black   | 1262.04 | 1516.47   |
| 3   | 353134S      | Motor, Almond  | 849.02  | 1020.18   |
| 3   | 353135S      | Motor, Black   | 849.02  | 1020.18   |
| 4   | 353132S      | Motor/Drive Assembly, Almond                               | CALL    | CALL      |
| 4   | 353133S      | Motor/Drive Assembly, Black                                | CALL    | CALL      |
| 5   | 356012Z      | Sealplate- Almond (Mfg. Before 06/17/19)                   | CALL    | CALL      |
| 5   | 355612       | Sealplate, Black (Mfg. Before 06/17/19)                    | 134.63  | 161.77    |
| 5   | 356071Z      | Sealplate, Almond (Mfg. After 06/17/19)                    | 134.62  | 161.76    |
| 5   | 356072Z      | Sealplate, Black (Mfg. After 06/17/19)                     | 134.62  | 161.76    |
| 6   | 355619Z      | Sealplate Gasket   | 16.72   | 20.09     |
| 7   | 355074Z      | Impeller (Mfg. Before 06/17/19)                            | CALL    | CALL      |
| 7   | C105-238PDCA | Impeller (Mfg. After 06/17/19)                             | 124.42  | 149.50    |
| 8   | 355618       | Diffuser (Mfg. Before 06/17/19)                            | 148.31  | 178.21    |
| 8   | 355949       | Diffuser (Mfg. After 06/17/19)                             | CALL    | CALL      |
| 9   | 355030Z      | Diffuser Seal (Mfg. Before 06/17/19)                       | 14.49   | 17.41     |
| 9   | 355331Z      | Diffuser Seal (Mfg. After 06/17/19)                        | 4.86    | 5.84      |
| 10  | 350094       | Base, Almond   | 148.70  | 178.68    |
| 10  | 351094       | Base, Black  | 148.72  | 178.70    |
| 11  | 071131Z      | Drain Plug, Almond (2 req.)                                | 9.51    | 11.43     |
| 11  | 357161Z      | Drain Plug, Black (2 req.)                                 | 7.80    | 9.37      |
| 12  | 192115Z      | O-Ring Drain Plug (Qty. 2)                                 | 3.90    | 4.69      |
| 13  | 350089Z      | Strainer Pot, Almond                                       | CALL    | CALL      |
| 13  | 351089       | Strainer Pot, Black  | 422.73  | 507.95    |
| 14  | 357255Z      | Lid O-Ring   | 8.53    | 10.25     |
| 15  | 355667Z      | Strainer Basket  | CALL    | CALL      |
| 16  | 350091Z      | Lid  | CALL    | CALL      |
| 17  | 350090Z      | Locking Ring, Almond                                       | CALL    | CALL      |
| 17  | 351090       | Locking Ring, Black  | 62.53   | 75.14     |
| 18  | 353010       | Strainer Pot Assembly, Almond (Includes Items 11-17)       | 624.26  | 750.11    |
| 18  | 353110       | Strainer Pot Assembly, Black (Includes Items 11-17)        | 582.61  | 700.06    |
| 19  | 072184       | Washer 3/8 In. SS, (Qty. 4)                                | 2.38    | 2.86      |
| 20  | 355621       | Bolt, Hex 3/8-16 X 2 1/4, (Qty. 4)                         | 7.71    | 9.26      |
| 21  | 355334Z      | Diffuser Screw (Qty. 3)                                    | 4.86    | 5.84      |
| 22  | 355389Z      | Impeller Screw   | CALL    | CALL      |
| 23  | 354545S      | Shaft Seal (Mfg. Before 06/17/19)                          | 44.23   | 53.15     |
| 23  | 17351-0101S  | Shaft Seal (Mfg. After 06/17/19)                           | 40.29   | 48.41     |
| 24  | 354290       | Bolt, Hex, 3/8-16 (Qty. 4)                                 | CALL    | CALL      |
| 25  | 350093       | Union Adapter, (Qty. 2)                                    | 28.10   | 33.76     |
| 26  | 6020018Z     | Union Adapter O-ring (Qty. 2)                              | CALL    | CALL      |
| 27  | 270141Z      | Union Nut, Black (Qty. 2)                                  | CALL    | CALL      |
| 28  | 351157       | SuperFlo/SuperMax Union Kit (includes items 25-27) (Qty 2) | 130.75  | 157.11    |
| *   | 353129Z      | Digital Input Wiring Kit, 25 ft.                           | CALL    | CALL      |
| *   | 357923Z      | Motor Fan Guard Kit, TEFC Super-Duty, Almond               | CALL    | CALL      |
| *   | 357924Z      | Motor Fan Guard Kit, TEFC Super-Duty, Black                | CALL    | CALL      |

\* Not Shown

# SUPERFLO® PUMP REPLACEMENT PARTS



CALIFORNIA PROPOSITION 65 WARNING  
 ⚠️ **WARNING:** Cancer and Reproductive Harm.  
 ⚠️ **AVERTISSEMENT:** Peut Causer le Cancer et des Dommages au Système Reproducteur.  
 ⚠️ **ADVERTENCIA:** Cáncer y Daño Reproductivo.  
 www.p65warnings.ca.gov. P8.202514

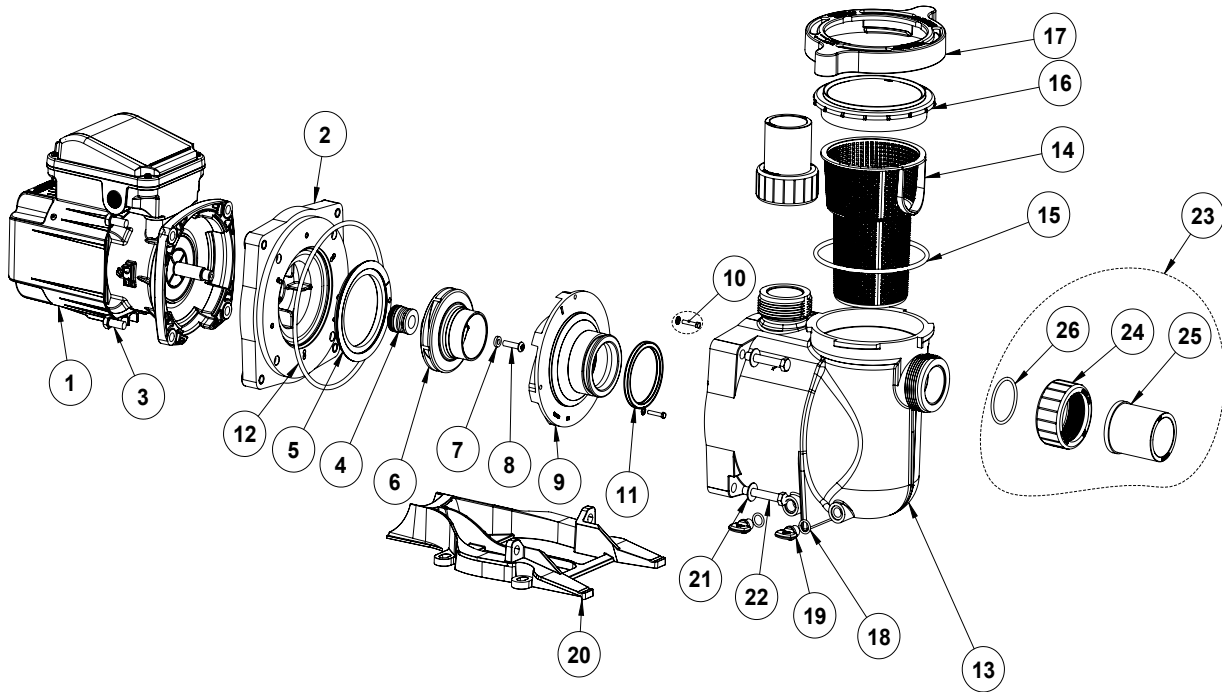
| Item                                    | Part No. | Description   | US List | Can. List |
|---|----------|---|---------|-----------|
| <b>SINGLE SPEED SUPERFLO MOTORS</b>     |          |   |         |           |
| 1                                       | 354803S  | 3/4 HP Motor, 1SP, 1PH, TEFC 115/208-230                          | CALL    | CALL      |
| 1                                       | 354821S  | 1 HP Motor, 1SP, 1PH, TEFC 115/208-230                            | 622.43  | 747.91    |
| 1                                       | 354823S  | 1-1/2 HP Motor, 1SP, 1PH, TEFC 208-230                            | 733.14  | 880.94    |
| 1                                       | 354815S  | 2 HP Motor, 1SP, 1PH, TEFC 208-230                                | 873.51  | 1049.61   |
| 1                                       | 355018S  | 1/2 HP Motor SQFL, 1 Speed, 1 phase, 115/208-230, 60 Hz, almond   | CALL    | CALL      |
| 1                                       | 355018S  | 3/4 HP Motor SQFL, 1 Speed, 1 phase, 115/208-230, 60 Hz, almond   | CALL    | CALL      |
| 1                                       | 355020S  | 1 HP Motor SQFL, 1 Speed, 1 phase, 115/208-230, 60 Hz, almond     | CALL    | CALL      |
| 1                                       | 355022S  | 1-1.2 HP Motor SQFL, 1 Speed, 1 phase, 115/208-230, 60 Hz, almond | CALL    | CALL      |
| 1                                       | 355024S  | 2 HP Motor SQFL, 1 Speed, 1 phase, 6115/208-230, 60 Hz, almond    | CALL    | CALL      |
| 1                                       | 355026S  | 2-1/2 HP Motor SQFL, 1 Speed, 1 phase, 208-230, 60 Hz, almond     | CALL    | CALL      |
| <b>2 SPEED SUPERFLO MOTORS</b>          |          |   |         |           |
| 1                                       | 355003S  | 1 HP Motor SQFL, 2 Speed, 1 phase, 60 Hz                          | CALL    | CALL      |
| 1                                       | 356630S  | 1-1/2 HP Motor SQFL, 2 Speed, 1 phase, 60 Hz                      | CALL    | CALL      |
| 1                                       | 071320S  | 2 HP Motor SQFL, 2 Speed, 1 phase, 60 Hz                          | CALL    | CALL      |
| <b>ENERGY EFFICIENT SUPERFLO MOTORS</b> |          |   |         |           |
| 1                                       | 355008S  | 1/2 HP Motor SQFL, 1 Speed, 1 phase, 60 Hz, 115/208-230, almond   | CALL    | CALL      |
| 1                                       | 355008S  | 3/4 HP Motor SQFL, 1 Speed, 1 phase, 60 Hz, 115/208-230, almond   | CALL    | CALL      |
| 1                                       | 355008S  | 1 HP Motor SQFL, 1 Speed, 1 phase, 60 Hz, 115/208-230, almond     | CALL    | CALL      |
| 1                                       | 355010S  | 1.5 HP Motor SQFL, 1 Speed, 1 phase, 60 Hz, 115/208-230, almond   | CALL    | CALL      |
| 1                                       | 355012S  | 2 HP Motor SQFL, 1 Speed, 1 phase, 60 Hz, 208-230, almond         | CALL    | CALL      |
| <b>SUPERFLO PUMPS</b>                   |          |   |         |           |
| 2                                       | 356012Z  | Seal plate  | CALL    | CALL      |
| 3                                       | 350094   | Base  | 148.70  | 178.68    |
| 4                                       | 350090Z  | Clamp, Cam & Ramp®  | CALL    | CALL      |
| 5                                       | 350091Z  | Lid   | CALL    | CALL      |
| 6                                       | 357255Z  | O-ring, lid No. 2-357   | 8.53    | 10.25     |
| 7                                       | 350089Z  | Volute  | CALL    | CALL      |
| 8                                       | 350093   | Adaptor, 2 req.   | 28.10   | 33.76     |

| Item                      | Part No. | Description   | US List | Can. List |
|---------------------------|----------|---|---------|-----------|
| 9                         | 270141Z  | Nut, 2 req.   | CALL    | CALL      |
| 10                        | 192115Z  | O-ring drain plug, 2 req.   | 3.90    | 4.69      |
| 11                        | 071131Z  | Drain plug, (2 req.)  | 9.51    | 11.43     |
| 12                        | 355621   | Screw, 3/4-16 x 2-1/4 Hex hd, 4 req.                              | 7.71    | 9.26      |
| 13                        | 072184   | Washer, 3/8 in. SS, 4 req.  | 2.38    | 2.86      |
| 14                        | 355619Z  | O-ring, 1 req.  | 16.72   | 20.09     |
| 15                        | 6020018Z | O-ring adaptor No.2-226, 2 req.                                   | CALL    | CALL      |
| 16                        | 355030Z  | Seal diffuser   | 14.49   | 17.41     |
| 17                        | 355334Z  | Screw, No.8-32 hex washer HD, 3 req.                              | 4.86    | 5.84      |
| 22                        | 354545S  | Seal set  | 44.23   | 53.15     |
|                           | 356210S  | Seal, mechanical, ozone/salt resistant                            | 49.29   | 59.23     |
| 23                        | 355667Z  | Basket large  | CALL    | CALL      |
| <b>SUPERFLO DIFFUSERS</b> |          |   |         |           |
| 18                        | 355617   | Diffuser, 1/2 HP  | 148.31  | 178.21    |
| 18                        | 355617   | Diffuser, 3/4 HP  | 148.31  | 178.21    |
| 18                        | 355617   | Diffuser, 1 HP  | 148.31  | 178.21    |
| 18                        | 355618   | Diffuser, 1-1/2 HP  | 148.31  | 178.21    |
| 18                        | 355618   | Diffuser, 2 HP  | 148.31  | 178.21    |
| 18                        | 350170   | Diffuser, 2-1/2 HP  | 146.07  | 175.52    |
| 19                        | U30-74SS | Hex head screw, 3/8, 16, 4 req.                                   | 6.76    | 8.12      |
| <b>SUPERFLO IMPELLERS</b> |          |   |         |           |
| 20                        | 355043   | Impeller 1/2 HP   | 84.10   | 101.05    |
| 20                        | 355043   | Impeller 3/4 HP   | 84.10   | 101.05    |
| 20                        | 355067Z  | Impeller 1 HP   | CALL    | CALL      |
| 20                        | 355074Z  | Impeller 1-1/2 HP   | CALL    | CALL      |
| 20                        | 355086Z  | Impeller 2 HP   | CALL    | CALL      |
| 20                        | 355093   | Impeller 2-1/2 HP   | 88.97   | 106.91    |
| 21                        | 355389Z  | Screw, impeller locking   | CALL    | CALL      |
| <b>KITS</b>               |          |   |         |           |
| 24                        | 351157   | SuperFlo/SuperMax Union Kit, items 8, 9 & 15 (2 of each included) | 130.75  | 157.11    |
| <b>NOT SHOWN</b>          |          |   |         |           |
|                           | 7912990  | 2-Speed Toggle Switch   | 75.42   | 90.62     |
|                           | 400013Z  | Motor End Cap and Screw   | 40.15   | 48.24     |
|                           | 357923Z  | Fan Guard Kit TEFC/Super-Duty                                     | CALL    | CALL      |
|                           | 356197   | SuperFlo Quick Kit (includes 22, 14, 10(x2), 16, 6)               | 50.13   | 60.24     |

**Note:** Pumps and replacement motors that are single speed and one (1) Total HP or greater cannot be sold, offered for sale, or installed in a residential pool for filtration use in California, Title 20 CCR sections 1601-1609.

# SUPERFLO® DOE PUMP

## REPLACEMENT PARTS



Replacement Parts for Product #348190

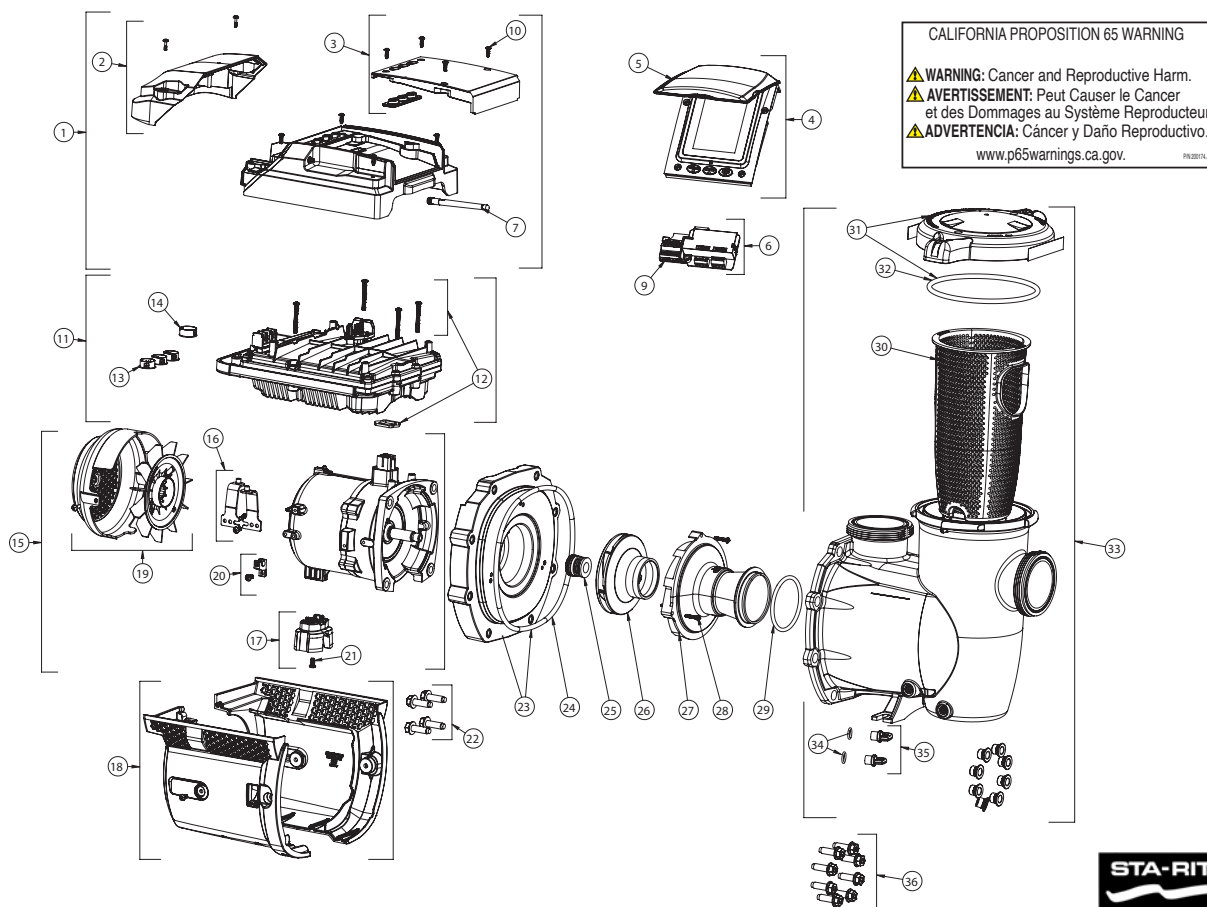
| Item            | Part No. | Description                           | US List | Can. List |
|-----------------|----------|---------------------------------------|---------|-----------|
| <b>DOE PUMP</b> |          |                                       |         |           |
| 1               | 356363S  | Motor                                 | CALL    | CALL      |
| 2               | 356012Z  | Seal Plate                            | CALL    | CALL      |
| 3               | 070249   | Bolt, Motor (Qty. 4)                  | CALL    | CALL      |
| 4               | 354545SS | Shaft Seal Set                        | CALL    | CALL      |
| 5               | 356357Z  | Hydraulic Isolator                    | 36.29   | 43.61     |
| 6               | 356356Z  | Impeller                              | 90.70   | 108.99    |
| 7               | 075713Z  | Washer, Impeller Screw                | CALL    | CALL      |
| 8               | 071652Z  | Screw, Impeller                       | 4.86    | 5.84      |
| 9               | 356358Z  | Diffuser                              | 141.50  | 170.03    |
| 10              | 356213Z  | Screw, Diffuser #8-32 X 7/8" (Qty. 3) | 10.87   | 13.06     |
| 11              | 355030   | Diffuser Seal                         | CALL    | CALL      |
| 12              | 355619   | O-Ring, Seal Plate                    | CALL    | CALL      |
| 13              | 350089Z  | Strainer Pot                          | CALL    | CALL      |
| 14              | 355667Z  | Strainer Basket                       | CALL    | CALL      |

| Item            | Part No. | Description                      | US List | Can. List |
|-----------------|----------|----------------------------------|---------|-----------|
| <b>DOE PUMP</b> |          |                                  |         |           |
| 15              | 357255   | O-Ring, Lid                      | CALL    | CALL      |
| 16              | 350091Z  | Lid                              | CALL    | CALL      |
| 17              | 350090Z  | Locking Ring                     | CALL    | CALL      |
| 18              | 192115Z  | O-Ring, Drain Plug, (Qty. 2)     | 3.90    | 4.69      |
| 19              | 071131Z  | Drain Plug (Qty. 2)              | 9.51    | 11.43     |
| 20              | 350094   | Base                             | 148.70  | 178.68    |
| 21              | 072184   | Washer, Strainer Pot, (Qty. 4)   | 2.38    | 2.86      |
| 22              | 355621   | Bolt, Strainer Pot (Qty. 4)      | 7.71    | 9.26      |
| 23              | 351157   | Union Kit (Includes Items 24-26) | 130.75  | 157.11    |
| 24              | 270141Z  | Union Nut (Qty. 2)               | CALL    | CALL      |
| 25              | 350093   | Union Adapter (Qty. 2)           | 28.10   | 33.76     |
| 26              | 6020018Z | Union O-Ring (Qty. 2)            | CALL    | CALL      |
| -               | 357809   | Motor Fan Guard                  | CALL    | CALL      |

CALIFORNIA PROPOSITION 65 WARNING  
 ⚠️ **WARNING:** Cancer and Reproductive Harm.  
 ⚠️ **AVERTISSEMENT:** Peut Causer le Cancer et des Dommages au Système Reproducteur.  
 ⚠️ **ADVERTENCIA:** Cáncer y Daño Reproductivo.  
[www.p65warnings.ca.gov](http://www.p65warnings.ca.gov) PHL00174A

# INTELLIPRO3® 3 HP

## VARIABLE SPEED AND FLOW POOL PUMP REPLACEMENT PARTS



CALIFORNIA PROPOSITION 65 WARNING  
 ⚠️ WARNING: Cancer and Reproductive Harm.  
 ⚠️ AVERTISSEMENT: Peut Causer le Cancer et des Dommages au Système Reproducteur.  
 ⚠️ ADVERTENCIA: Cáncer y Daño Reproductivo.  
 www.p65warnings.ca.gov. P422011.4



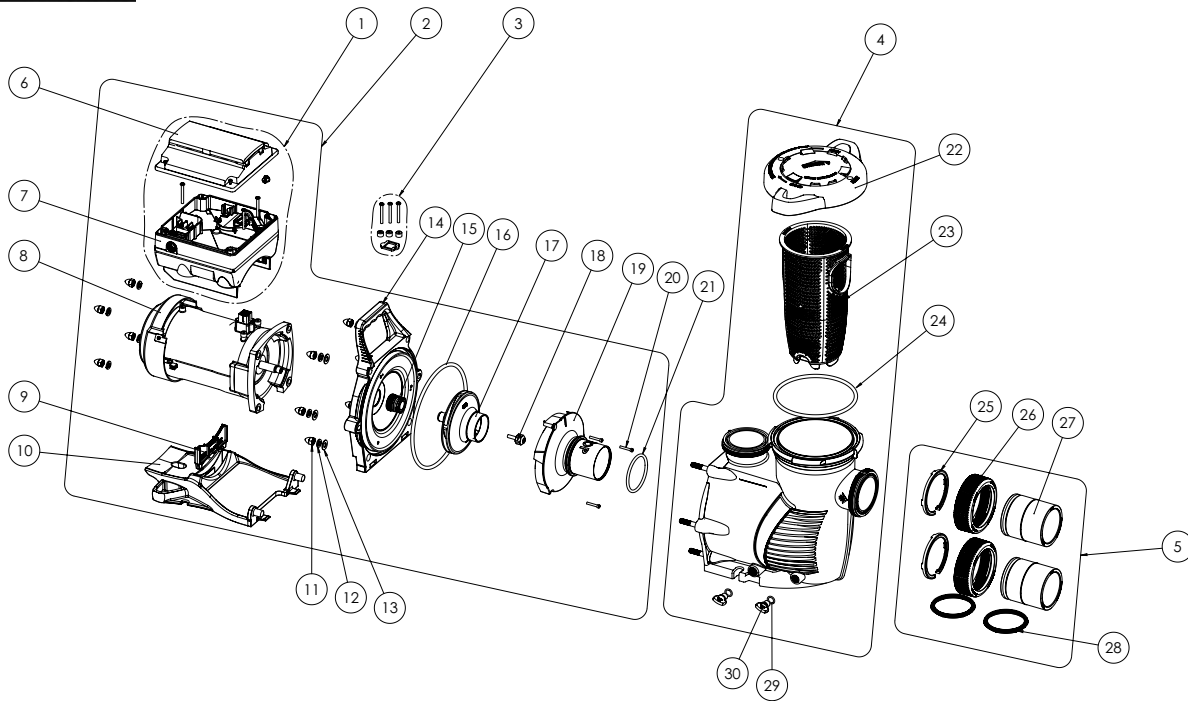
| Item          | Part No. | Description                          | US List | Can. List |
|---------------|----------|--------------------------------------|---------|-----------|
| <b>SYSTEM</b> |          |                                      |         |           |
| 1             | 356349z  | Drive Cover Assembly                 | 415.89  | 499.73    |
| 2             | 356337z  | Field Wiring Compartment Kit         | 41.59   | 49.97     |
| 3             | 356338z  | Blank Controller Kit                 | 41.11   | 49.40     |
| 4             | 356348z  | Touchscreen Controller Kit           | 600.83  | 721.96    |
| 5             | 356339z  | Touchscreen Lid                      | 31.45   | 37.79     |
| 6             | 356365z  | Relay Control Board Kit              | 358.78  | 431.11    |
| 7             | 356226z  | Antenna                              | 17.19   | 20.66     |
| 9             | 8023306  | 6-Pin Connector, Relay Control Board | CALL    | CALL      |
| 10            | 356215z  | Controller Screw (x4)                | 6.41    | 7.70      |
| 11            | 356163z  | Drive and Drive Hardware Kit         | 1759.53 | 2114.25   |
| 12            | 357865   | Drive Hardware Kit                   | 19.20   | 23.07     |
| 13            | 356219z  | 7/8" Plug, Drive (x3)                | 7.45    | 8.95      |
| 14            | 356320z  | 1" Bushing, Low Voltage, Drive       | 7.45    | 8.95      |
| 15            | 356165s  | Motor Kit                            | 1279.66 | 1537.64   |
| 16            | 356167z  | Motor Bracket Kit                    | 16.00   | 19.23     |
| 17            | 356341z  | Motor Foot Kit                       | 11.20   | 13.46     |
| 18            | 357870   | Motor Shroud Kit                     | 95.97   | 115.32    |
| 19            | 357866z  | Motor Fan Kit                        | 63.99   | 76.89     |
| 20            | 356166z  | Bonding Lug                          | 14.19   | 17.05     |
| 21            | 356221z  | Motor Foot Screw                     | 4.46    | 5.36      |
| 22            | 074165z  | Motor Bolts (x4)                     | 17.91   | 21.52     |

| Item             | Part No. | Description                           | US List | Can. List |
|------------------|----------|---------------------------------------|---------|-----------|
| 23               | 356345z  | Seal Plate Kit                        | 143.96  | 172.98    |
| 24               | 356173z  | Seal Plate O-ring                     | 11.51   | 13.83     |
| 25               | 356210s  | Shaft Seal                            | 49.29   | 59.23     |
| 26               | 356177z  | Impeller                              | 79.97   | 96.09     |
| 27               | 356156z  | Diffuser                              | 79.97   | 96.09     |
| 28               | 356213z  | Diffuser Screws (x3)                  | 10.87   | 13.06     |
| 29               | 356190z  | Diffuser O-ring                       | 5.95    | 7.15      |
| 30               | 400007z  | Strainer Basket                       | 53.43   | 64.20     |
| 31               | 356368z  | Lid Assembly                          | 89.57   | 107.63    |
| 32               | 356189z  | Lid O-ring                            | 26.87   | 32.29     |
| 33               | 356347z  | Strainer Pot Kit                      | 399.90  | 480.52    |
| 34               | 192115z  | Drain Plug O-ring (x2)                | 3.90    | 4.69      |
| 35               | 071131z  | Drain Plug and O-ring (x2)            | 9.51    | 11.43     |
| 36               | 074164z  | Seal Plate-to-Strainer Pot Bolts (x8) | 29.87   | 35.89     |
| <b>NOT SHOWN</b> |          |                                       |         |           |
| —                | 8023304  | 4-Pin Connector, RS-485               | CALL    | CALL      |
| —                | 357872   | Seal Kit                              | 35.76   | 42.97     |
| —                | 410028   | 2" / 2.5" Union Kit                   | 84.77   | 101.86    |
| —                | 410029   | 3" Union Kit                          | 94.96   | 114.10    |
| —                | 410016z  | Union O-ring - Diamond Seal           | 18.28   | 21.97     |
| —                | 357833z  | Riser Plate Kit - Thin (A/B Base)     | 57.59   | 69.20     |

# INTELLIPROXF® VSF PUMP INTELLIPROXF VS PUMP - AFTER AUGUST 2015



## REPLACEMENT PARTS



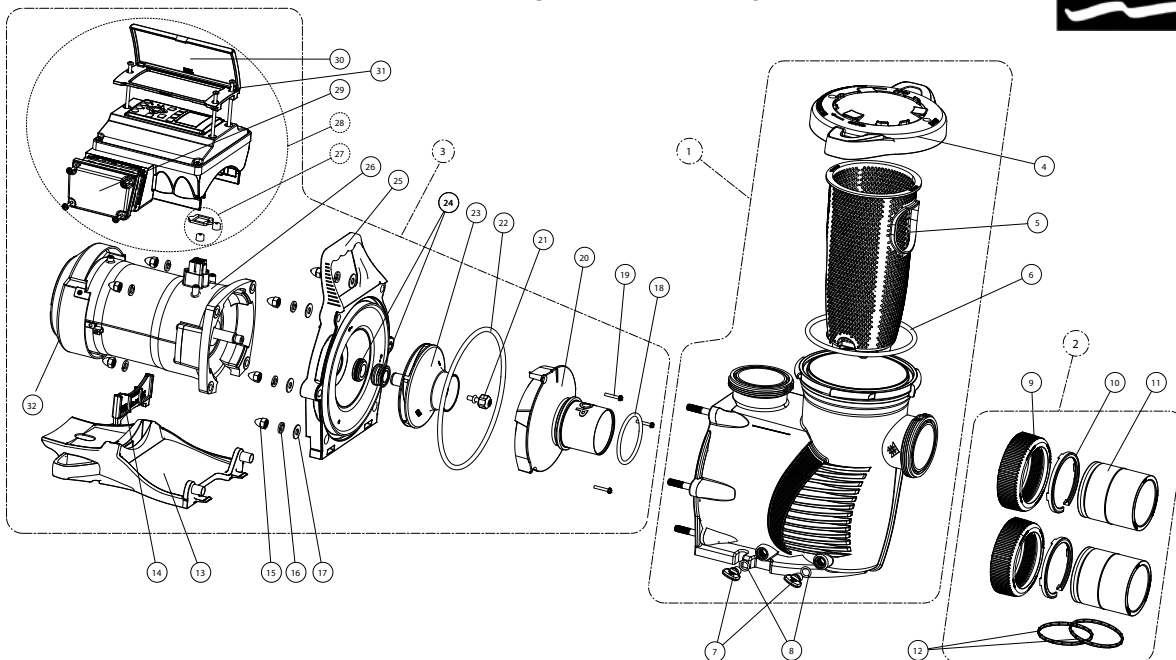
| Item                                     | Part No.    | Description  | US List | Can. List |
|--|-------------|--|---------|-----------|
| <b>INTELLIPROXF/INTELLIFLOXF VS PUMP</b> |             |  |         |           |
| 1  | 352032Z     | Drive Kit (VSF model)                                      | CALL    | CALL      |
| 1  | 356893Z     | Drive Kit (VS model)                                       | CALL    | CALL      |
| 2  | 401655Z     | Power End Kit (VS model)                                   | 3984.88 | 4788.23   |
| 3  | 355685      | Drive Hardware Kit   | 167.05  | 200.73    |
| 4  | 401000      | Wet End Assembly   | 485.54  | 583.42    |
| 5  | 410020      | Union Kit w/o Tap  | 221.19  | 265.78    |
| 6  | 358527Z     | Keypad Assembly Kit  | 527.74  | 634.13    |
| 7  | 356898Z     | Drive (VSF model)  | CALL    | CALL      |
| 7  | 356892Z     | Drive (VS model)   | CALL    | CALL      |
| 8  | 350306S     | Motor  | CALL    | CALL      |
| 9  | 357160      | Motor Support Insert                                       | 29.73   | 35.72     |
| 10                                       | 401004Z     | Motor Base   | 59.26   | 71.21     |
| 11                                       | 071413      | Acorn Nut (Qty. 10)  | 1.87    | 2.25      |
| 12                                       | U43-12SS    | Lock Washer (Qty. 10)                                      | 4.14    | 4.97      |
| 13                                       | 072184      | Flat Washer (Qty. 6)                                       | 2.38    | 2.86      |
| 14                                       | 401002      | Seal Plate   | 320.90  | 385.59    |
| 15                                       | 17351-0101S | Mechanical Seal  | 40.29   | 48.41     |
| 16                                       | 351446Z     | Seal Plate O-Ring  | CALL    | CALL      |
| 17                                       | 400015Z     | Impeller Assembly (includes screw and washer)              | 195.58  | 235.01    |
| 18                                       | 37337-6080  | Impeller Screw, Plastic-Head (pumps mfg. before 10/7/2019) | 29.74   | 35.74     |
| 18                                       | 356073      | Impeller Screw, Metal-Head (pumps mfg. after 10/7/2019)    | 11.64   | 13.99     |
| 19                                       | 400010      | Diffuser   | 140.43  | 168.74    |

| Item             | Part No.    | Description                         | US List | Can. List |
|------------------|-------------|-------------------------------------|---------|-----------|
| 20               | 353323      | Diffuser Screws                     | 5.06    | 6.08      |
| 21               | 350336Z     | Diffuser O-Ring                     | CALL    | CALL      |
| 22               | 401006      | Lid/Locking Ring Assembly           | 85.44   | 102.66    |
| 23               | 400007Z     | Strainer Basket                     | 53.43   | 64.20     |
| 24               | 35505-1440Z | Lid/Locking Ring O-Ring             | CALL    | CALL      |
| 25               | 410001      | 2.5" C-Clip Locking Ring (Qty. 2)   | 10.83   | 13.01     |
| 26               | 411000      | 2.5" Union Nut (Qty. 2)             | 29.72   | 35.71     |
| 27               | 410002      | 2.5" Union Adapter w/o Tap (Qty. 2) | 51.26   | 61.59     |
| 28               | 410016Z     | 2.5" Diamond Seal Kit (Qty. 2)      | 18.28   | 21.97     |
| 29               | 192115Z     | Drain Plug O-Ring (Qty. 2)          | 3.90    | 4.69      |
| 30               | 357161Z     | Drain Plug (Qty. 2)                 | 7.80    | 9.37      |
| <b>NOT SHOWN</b> |             |                                     |         |           |
|                  | 356905Z     | Keypad Relocation Kit               | 114.71  | 137.84    |
|                  | 400032Z     | Seal Plate w/Mech Seal              | 310.77  | 373.42    |
|                  | 350122Z     | 50 Ft. Communication Cable          | CALL    | CALL      |
|                  | 352501      | Motor Fan Kit                       | 268.24  | 322.32    |
|                  | 072172      | Impeller Screw Washer               | 0.38    | 0.46      |

CALIFORNIA PROPOSITION 65 WARNING  
**⚠️ WARNING:** Cancer and Reproductive Harm.  
**⚠️ AVERTISSEMENT:** Peut Causer le Cancer et des Dommages au Système Reproducteur.  
**⚠️ ADVERTENCIA:** Cáncer y Daño Reproductivo.  
[www.p65warnings.ca.gov](http://www.p65warnings.ca.gov)

# INTELLIPROXF® VARIABLE SPEED PUMP - BEFORE AUGUST 2015

## REPLACEMENT PARTS



| Item                      | Part No.    | Description   | US List | Can. List |
|---------------------------|-------------|---|---------|-----------|
| <b>INTELLIPRO XF PUMP</b> |             |   |         |           |
| 1                         | 401000      | Wet End Assembly                                    | 485.54  | 583.42    |
| 2                         | 410020      | Union Kit Without Tap                               | 221.19  | 265.78    |
| 3                         | 401605Z     | Power End Assy w/ Drive & Motor                     | CALL    | CALL      |
| 4                         | 401006      | Lid/Locking Ring Assy                               | 85.44   | 102.66    |
| 5                         | 400007Z     | XF Series Replacement Basket                        | 53.43   | 64.20     |
| 6                         | 35505-1440Z | Lid/Locking Ring O-Ring                             | CALL    | CALL      |
| 7                         | 357161Z     | Drain Plug (2 req.)                                 | 7.80    | 9.37      |
| 8                         | 192115Z     | Drain Plug O-ring (2 req.)                          | 3.90    | 4.69      |
| 9                         | 411000      | 2.5 in. Union Nut                                   | 29.72   | 35.71     |
| 10                        | 410001      | 2.5 in. C-Clip Locking Ring                         | 10.83   | 13.01     |
| 11                        | 410002      | 2.5 in. Union Adapter                               | 51.26   | 61.59     |
| 12                        | 410016Z     | 2.5 in. Diamond Seal Kit - (Includes two)           | 18.28   | 21.97     |
| 13                        | 401004Z     | Motor Base  | 59.26   | 71.21     |
| 14                        | 357160      | Motor Support Insert- Black                         | 29.73   | 35.72     |
| 15                        | 071413      | Acorn Nut (each)                                    | 1.87    | 2.25      |
| 16                        | U43-12SS    | Split Lock Washer (each)                            | 4.14    | 4.97      |
| 17                        | 072184      | Flat Washer (each)                                  | 2.38    | 2.86      |
| 18                        | 350336Z     | Diffuser O-ring                                     | CALL    | CALL      |
| 19                        | 353323      | Diffuser Screw                                      | 5.06    | 6.08      |
| 20                        | 400010      | Diffuser  | 140.43  | 168.74    |
| 21                        | 37337-6080  | Impeller, Plastic-Head (pumps mfg. before 10/07/19) | 29.74   | 35.74     |

| Item             | Part No.    | Description   | US List | Can. List |
|------------------|-------------|---|---------|-----------|
|                  | 356073      | Impeller Screw, Metal-Head (pumps mfg. after 10/7/2019) | 11.64   | 13.99     |
| 22               | 351446Z     | Seal Plate O-Ring                                       | CALL    | CALL      |
| 23               | 400015Z     | Impeller Assembly (includes screw and washer)           | 195.58  | 235.01    |
| 24               | 17351-0101S | Mechanical Seal Assembly                                | 40.29   | 48.41     |
| 25               | 401002      | Seal Plate  | 320.90  | 385.59    |
| 26               | 357294S     | Motor Kit   | CALL    | CALL      |
| 27               | 350612      | Drive Hardware and Gasket Kit (Incl. item # 31)         | 167.05  | 200.73    |
| 28               | 353252      | Variable Speed Drive Assy Kit                           | CALL    | CALL      |
| 29               | 353310      | Field Wiring Comp Kit w/ Gasket                         | 148.36  | 178.27    |
| 30               | 350701      | Control Cover Assy Kit (incl. item #27) <sup>1</sup>    | 334.66  | 402.13    |
| 30               | 401100      | Control Cover Assy Kit (incl. item #27) <sup>2</sup>    | 334.66  | 402.13    |
| 31               | 350107      | Screw 10-24 x 3-1/4 in. PH MS 18-8SS (Qty. 3)           | 6.47    | 7.77      |
| 32               | 352501      | Motor Fan Kit (contains Fan, Shroud, Hardware)          | 268.24  | 322.32    |
| <b>NOT SHOWN</b> |             |   |         |           |
|                  | 400032Z     | Seal Plate Kit w/ Mech Seal                             | 310.77  | 373.42    |
|                  | 400012      | Riser Plate XF to Challenger                            | 102.52  | 123.19    |
|                  | 350122Z     | 50 Ft. Communication Cable                              | CALL    | CALL      |
|                  | 072172      | Impeller Screw Washer                                   | 0.38    | 0.46      |

<sup>1</sup> Used on pumps manufactured before 7/2/13  
<sup>2</sup> Used on pumps manufactured after 7/2/13 to present

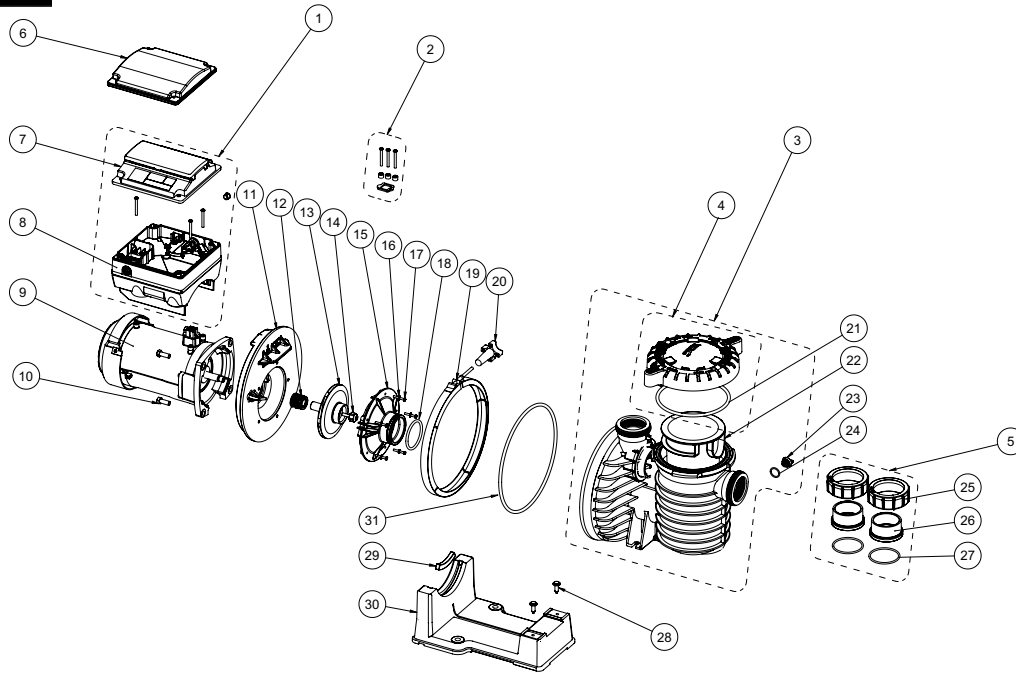
CALIFORNIA PROPOSITION 65 WARNING

⚠ **WARNING:** Cancer and Reproductive Harm.  
 ⚠ **AVERTISSEMENT:** Peut Causer le Cancer et des Dommages au Système Reproducteur.  
 ⚠ **ADVERTENCIA:** Cáncer y Daño Reproductivo.  
[www.p65warnings.ca.gov](http://www.p65warnings.ca.gov)

# INTELLIPRO® VSF PUMP/INTELLIPRO 2 VST PUMP INTELLIPRO VS PUMP - AFTER 2018



## REPLACEMENT PARTS



| Item                   | Part No.    | Description  | US List | Can. List |
|------------------------|-------------|--|---------|-----------|
| <b>INTELLIPRO PUMP</b> |             |  |         |           |
| 1                      | 353141Z     | Drive Kit w/Keypad (Includes Item #2, 7 and 8) (VSF model)                     | CALL    | CALL      |
| 1                      | 356893Z     | Drive Kit w/Keypad (Includes Item #2, 7 and 8) (2VST and VS models)            | CALL    | CALL      |
| 2                      | 355685      | Drive Kit Hardware Kit (Includes Drive Screws, Drive Gasket and Screw Caps)    | 167.05  | 200.73    |
| 3                      | 17307-0110S | Tank Body Assembly (Includes Trap Cover and Items #21-24)                      | 479.32  | 575.95    |
| 4                      | 17307-0111S | Trap Cover Assembly (Includes Trap Cover and Item #21)                         | 108.40  | 130.25    |
| 5                      | 42001-0402  | 2" Slip Union Half Kit (Includes Items #25-27)                                 | 60.58   | 72.79     |
| 6                      | 356905Z     | Keypad Relocation Kit (Includes Keypad Relocation Cable and Blank Drive Cover) | 114.71  | 137.84    |
| 7                      | 358527Z     | Keypad Assembly Kit  | 527.74  | 634.13    |
| 8                      | 356657Z     | Drive (VSF model)  | CALL    | CALL      |
| 8                      | 356892Z     | Drive (2VST and VS models)   | CALL    | CALL      |
| 9                      | 350306S     | Motor 3.2 KW Ferrite Blk   | CALL    | CALL      |
| 10                     | 070429Z     | Bolt, 3/8-16 X 7/8 SS Hex Head 18-8, 4 req.                                    | 4.86    | 5.84      |
| 11                     | C103-194P   | Seal Plate   | 109.87  | 132.02    |
| 12                     | 17351-0101S | Shaft Seal, EPDM black   | 40.29   | 48.41     |
| 13                     | C105-238PLA | Impeller Assembly  | 129.33  | 155.40    |
| 14                     | 37337-6080  | Impeller Screw   | 29.74   | 35.74     |
| 15                     | C1-271PZ    | Diffuser   | CALL    | CALL      |
| 16                     | U43-21SS    | #8 Ext Tooth Washer (Qty. 5)   | 2.65    | 3.18      |
| 17                     | U30-922SS   | Diffuser Screw   | CALL    | CALL      |

| Item | Part No.    | Description                                      | US List | Can. List |
|------|-------------|--|---------|-----------|
| 18   | U9-374Z     | Diffuser O-Ring                                  | 8.37    | 10.06     |
| 18   | 357098Z     | Diffuser O-Ring (Blue Coating)                   | 8.89    | 10.68     |
| 19   | C19-37AZ    | V-Clamp  | CALL    | CALL      |
| 20   | WC36-22Z    | Clamp, Knob                                      | CALL    | CALL      |
| 21   | 35505-1440Z | Trap O-Ring, 6.90 O.D. 6.35 I.D.                 | CALL    | CALL      |
| 22   | C8-58PZ     | Trap Basket                                      | 21.27   | 25.56     |
| 23   | U78-920PZ   | Drain Plug (Qty. 2)                              | CALL    | CALL      |
| 24   | U9-359Z     | Drain Plug O-Ring (Qty. 2)                       | CALL    | CALL      |
| 25   | U11-200PSZ  | Union Collar (Qty. 2)                            | 16.77   | 20.15     |
| 26   | U11-196PSZ  | 2" Slip Adapter (Qty. 2)                         | 13.86   | 16.65     |
| 27   | U9-362Z     | O-Ring #2-231 (Qty. 2)                           | CALL    | CALL      |
| 28   | U30-918SS   | Base Screw, 5/16-14 x 1 in. Lg. Hi-Lo Hex (Qty2) | 7.61    | 9.14      |
| 29   | C35-11      | Motor Pad  | 4.96    | 5.96      |
| 30   | C4-78P      | Motor Base                                       | 70.03   | 84.15     |
| 31   | U9-228AZ    | Seal Plate O-Ring (Round)                        | 15.08   | 18.12     |
| 31   | 357099Z     | Seal Plate O-Ring (Square)                       | 15.82   | 19.01     |

### NOT SHOWN

|         |  |         |         |
|---------|--|---------|---------|
| 350122Z | 50 Ft. Communication Cable   | CALL    | CALL    |
| 354045  | Power End - IntelliPro 2 VST and VS                                | 3690.48 | 4434.48 |
| 352501  | Motor Fan Kit  | 268.24  | 322.32  |
| 356196  | Max-E-Pro / IntelliPro Quick Kit (contains 31, 12, 18, 21, 24(x2)) | 46.44   | 55.80   |

#### CALIFORNIA PROPOSITION 65 WARNING

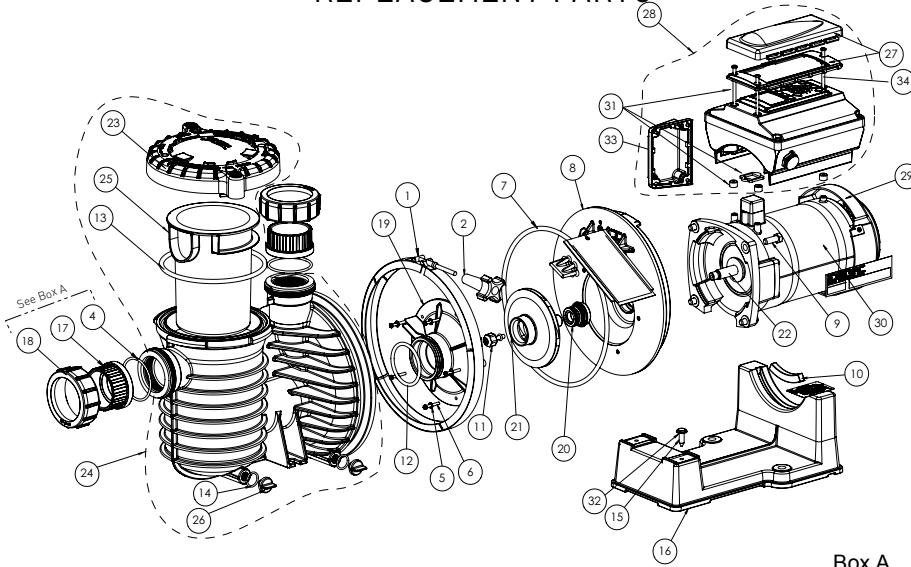
⚠ **WARNING:** Cancer and Reproductive Harm.  
 ⚠ **AVERTISSEMENT:** Peut Causer le Cancer et des Dommages au Système Reproducteur.  
 ⚠ **ADVERTENCIA:** Cáncer y Daño Reproductivo.

www.p65warnings.ca.gov.

PH202174

# INTELLIPRO® VARIABLE SPEED PUMP-BEFORE 2019

## REPLACEMENT PARTS



CALIFORNIA PROPOSITION 65 WARNING

⚠️ **WARNING:** Cancer and Reproductive Harm.  
 ⚠️ **AVERTISSEMENT:** Peut Causer le Cancer et des Dommages au Système Reproducteur.  
 ⚠️ **ADVERTENCIA:** Cáncer y Daño Reproductivo.  
[www.p65warnings.ca.gov](http://www.p65warnings.ca.gov)

**Box A**

For quick disconnect pipe connections, purchase separately:

PKG 188Z 2 in. Slip 1/2 Union Kit or  
 Pkg. 189 2 in. NPT 1/2 Union Kit.

Includes 2 each:  
 U11-200P Union Collar  
 U9-362Z O-Ring  
 U11-196P 2 in. Slip adapter or U11-199P 2 in. NPT adapter.

| Item                                  | Part No.                 | Description  | US List | Can. List |
|---------------------------------------|--------------------------|--|---------|-----------|
| <b>INTELLIPRO VARIABLE SPEED PUMP</b> |                          |  |         |           |
| 1                                     | C19-37AZ                 | V-Clamp  | CALL    | CALL      |
| 2                                     | WC36-22Z                 | Clamp, Knob  | CALL    | CALL      |
| 3                                     | 350122Z                  | Cable 50ft 2 COND, IntelliFlo to IntelliTouch (Not Shown). | CALL    | CALL      |
| 4                                     | U9- 362                  | Orng #2- 231 buna N 70 DU                                  | CALL    | CALL      |
| 5                                     | U43- 21SS                | #8 Ext Tooth Wshr, 5 req.                                  | CALL    | CALL      |
| 6                                     | U30- 922SS               | Mach SCR HX HD 8- 32, 5 req.                               | CALL    | CALL      |
| 7                                     | U9-228AZ                 | Seal Plate O-Ring, (Round) 1 req.                          | 15.08   | 18.12     |
| 7                                     | 357099Z                  | Seal Plate O-Ring, (Square) 1 req.                         | 15.82   | 19.01     |
| 8                                     | C103- 194P               | Sealplate.   | CALL    | CALL      |
| 9                                     | U30- 74SS                | 3/8-16 x 1 in. HX HD SS                                    | CALL    | CALL      |
| 10                                    | C35- 11                  | Motor Pad  | CALL    | CALL      |
| 11                                    | 37337- 6080              | Impeller Screw   | CALL    | CALL      |
| 12                                    | U9-374Z                  | Diffuser O-Ring  | 8.37    | 10.06     |
| 12                                    | 357098Z                  | Diffuser O-Ring (Blue Coating)                             | 8.89    | 10.68     |
| 13                                    | 35505-1440Z              | O-Ring 6.90 O. D 6.35 I. D                                 | CALL    | CALL      |
| 14                                    | U9- 359                  | ORNG #2 - 112 N674- 70 Drain Plug                          | CALL    | CALL      |
| 15                                    | U30-918SS                | SCR 5/16-14 x 1 in. LG HI-LO Hex                           | 7.61    | 9.14      |
| 16                                    | C4-78P                   | Base   | 70.03   | 84.15     |
| 17                                    | U11-196PSZ               | Adaptor Union 2 in. Slip                                   | 13.86   | 16.65     |
| 18                                    | U11-200PSZ               | Collar Union 2 in.   | 16.77   | 20.15     |
| 19                                    | C1-271PZ                 | Diffuser   | CALL    | CALL      |
| 20                                    | 17351-0101S <sup>3</sup> | Shaft Seal, EPDM black                                     | CALL    | CALL      |
| 21                                    | C105-238PLA              | Imp. Assy. 3 Phase   | 129.33  | 155.40    |
| 22                                    | 17351-0009               | Slinger. Pump Shaft 1/16 in.                               | 2.91    | 3.50      |

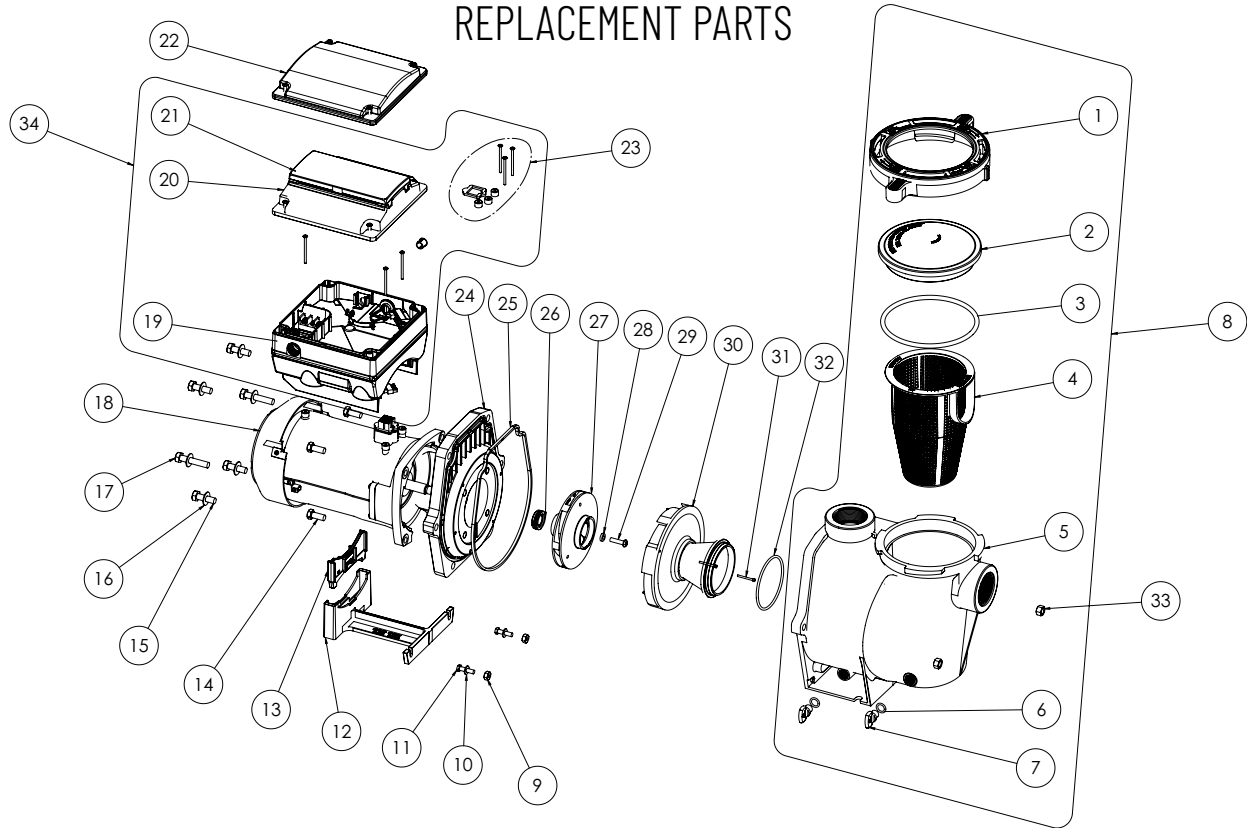
| Item             | Part No.    | Description  | US List | Can. List |
|------------------|-------------|--|---------|-----------|
| 23               | 17307-0111S | Trap Cover Assy. (Contains: Trap Cover, Trap Ring and Cover O- Ring)                                   | 108.40  | 130.25    |
| 24               | 17307-0110S | Tank Body Assy. Max- E- Pro Pump SVC 18 (Trap Body, Basket, Drain Plugs and Trap Cover Assy.)          | 479.32  | 575.95    |
| 25               | C8-58PZ     | Trap Basket  | 21.27   | 25.56     |
| 26               | U78-920PZ   | Drain Plug   | CALL    | CALL      |
| 27               | 350701      | Cover Control Assy. Kit, Black (Contains: Cover Assy., Hardware/ Gasket Kit, Inst.1)                   | 334.66  | 402.13    |
| 27               | 401100      | Cover Control Assy. Kit, Black (Contains: Cover Assy., 3 Screws, and 3 Spacer Caps) 2                  | 334.66  | 402.13    |
| 28               | 353252      | IntelliPro Variable Speed Drive Kit - Includes Drive and Control Cover Assy., Lid, Hardware/Gasket Kit | CALL    | CALL      |
| 29               | 352501      | Fan Motor Kit (Contains: Fan Shroud, Fan, Hardware)  | 268.24  | 322.32    |
| 30               | 357294S     | Motor VFD 3.2KW PMSW, Black  | CALL    | CALL      |
| 31               | 350612      | Hardware/Gasket Kit (Contains: 3 Screws, 3 Spacer Caps, and Drive Gasket)                              | 167.05  | 200.73    |
| 32               | U43-41SSZ   | Washer 5/16 in.  | 3.93    | 4.72      |
| 33               | 353310      | Field Wiring Compartment Kit w/ gasket   | 148.36  | 178.27    |
| 34               | 350107      | Screw 10-24 x 3-1/4 in PH MS 18-8 SS (qty 3)   | 6.47    | 7.77      |
| <b>NOT SHOWN</b> |             |  |         |           |
|                  | 070209      | Power end IntelliPro Variable Speed (Contains items 5, 6, 7, 8, 11, 19, 20, 28 & 30)                   | CALL    | CALL      |
|                  | 356196      | Max-E-Pro/IntelliPro Quick Kit (contains 20,7, 21, 12, 13, 14(x2))                                     | 46.44   | 55.80     |

<sup>1</sup> Used on pumps manufactured before 7/3/13  
<sup>2</sup> Used on pumps manufactured 7/3/13 and after  
<sup>3</sup> Used on pumps manufactured 7/15/14 to present



# INTELLIPRO® VS+SVRS PUMP - AFTER JUNE 2016

## REPLACEMENT PARTS



| Item                           | Part No. | Description  | US List | Can. List |
|--------------------------------|----------|--|---------|-----------|
| <b>INTELLIPRO VS+SVRS PUMP</b> |          |  |         |           |
| 1                              | 357150   | Clamp, Cam and Ramp  | 73.69   | 88.55     |
| 2                              | 357151Z  | See-through Lid  | 45.21   | 54.32     |
| 3                              | 350013Z  | Lid O-Ring   | 5.83    | 7.01      |
| 4                              | 070387Z  | Strainer Basket  | 25.85   | 31.06     |
| 5                              | 357157   | Volute WF  | 352.73  | 423.84    |
| 6                              | 192115Z  | O-Ring 112 for Drain Plug (Qty 2)  | 3.90    | 4.69      |
| 7                              | 357161Z  | Drain Plug WF (Qty 2)  | 7.80    | 9.37      |
| 8                              | 357244   | Volute Kit (Contains items #1-7)   | 738.09  | 886.89    |
| 9                              | 071406Z  | Nut 1/4-20 Hex SS (Qty 2)  | 12.37   | 14.86     |
| 10                             | 072183   | Washer, Flat 1/4" ID x 5/8" OD (Qty 2)   | 2.38    | 2.86      |
| 11                             | 071657Z  | Screw 1/4-20 x 1" Hex Cap SS, 2 req.   | 4.86    | 5.84      |
| 12                             | 357159   | Foot WF  | 59.26   | 71.21     |
| 13                             | 357160   | Foot Insert WFE Pump Motor Support   | 29.73   | 35.72     |
| 14                             | 070429Z  | Bolt, 3/8-16 X 7/8 SS Hex Head 18-8, 4 req.                                    | 4.86    | 5.84      |
| 15                             | 072184   | Washer, Flat 3/8" ID x 7/8 OD (Qty 6)  | 2.38    | 2.86      |
| 16                             | 070430Z  | Bolt, Hex Head 3/8-16 x 1.25" (Qty 4)  | CALL    | CALL      |
| 17                             | 070431   | Bolt, Hex Head 3/8-16 x 2" (Qty 2)   | 4.25    | 5.11      |
| 18                             | 350306S  | Motor, 3.2 kW 10 Pole  | CALL    | CALL      |
| 19                             | 356912Z  | Drive, Variable Speed  | CALL    | CALL      |
| 20                             | 358527Z  | Keypad Assembly Kit (Contains item #21)  | 527.74  | 634.13    |
| 21                             | 401100   | Keypad Cover   | 334.66  | 402.13    |
| 22                             | 356905Z  | Keypad Relocation Kit (Contains Keypad Relocation cable and Blank Drive Cover) | 114.71  | 137.84    |
| 23                             | 355685   | Drive Hardware Kit (Contains Drive Screws, Drive Gasket and Screw Caps)        | 167.05  | 200.73    |

| Item | Part No. | Description                             | US List | Can. List |
|------|----------|---|---------|-----------|
| 24   | 357158   | Seal Plate                              | 144.64  | 173.80    |
| 25   | 357100Z  | Seal Plate Gasket                       | 9.97    | 11.98     |
| 26   | 071734S  | Mechanical Seal                         | 46.83   | 56.27     |
| 26   | 071732S  | Mechanical Seal (ozone/salt resistant)  | 39.23   | 47.14     |
| 27   | 073131Z  | Impeller (pumps mfg. before 10/2020)    | CALL    | CALL      |
| 27   | 356237   | Impeller (pumps mfg. after 10/2020)     | CALL    | CALL      |
| 28   | 075713Z  | Rubber Washer, Impeller Set Screw       | CALL    | CALL      |
| 29   | 071652Z  | Impeller Set Screw 1/4-20 LH Thread     | 4.86    | 5.84      |
| 30   | 072928Z  | Diffuser (pumps mfg. before 10/2020)    | 58.37   | 70.14     |
| 30   | 356238   | Diffuser (pumps mfg. after 10/2020)     | CALL    | CALL      |
| 31   | 071660Z  | Diffuser Set Screw 4-40 x 1-1/8, 2 req. | 5.04    | 6.06      |
| 32   | 355227Z  | Diffuser O-Ring                         | 5.04    | 6.06      |
| 33   | 071403   | Nut 3/8" Brass, Nickel Plated (Qty 2)   | CALL    | CALL      |
| 34   | 356913Z  | Drive Kit (Incl. Items #19-23)          | CALL    | CALL      |

### NOT SHOWN

|         |   |        |        |
|---------|---|--------|--------|
| 350122Z | 50 Ft. Communication Cable  | CALL   | CALL   |
| 350203  | Seal Plate Kit w/Mechanical Seal (Incl. Items #24, 25 and 26)           | 311.21 | 373.95 |
| 357603  | Union Kit (Incl. 2 complete unions for 1 pump - Not included with pump) | 172.60 | 207.40 |
| 356196  | Max-E-Pro / IntelliPro Quick Kit (contains 25, 28, 32, 3, 26, 6(x2))    | 46.44  | 55.80  |
| 350198  | Seal Plate Kit (Ozone/Salt resistant)                                   | 303.94 | 365.21 |
| 352501  | Motor Fan Kit   | 268.24 | 322.32 |
| 356198  | WhisperFlo/IntelliFlo Quick Kit (includes 26, 32, 25, 6(x2), 3 and 28)  | 51.68  | 62.10  |

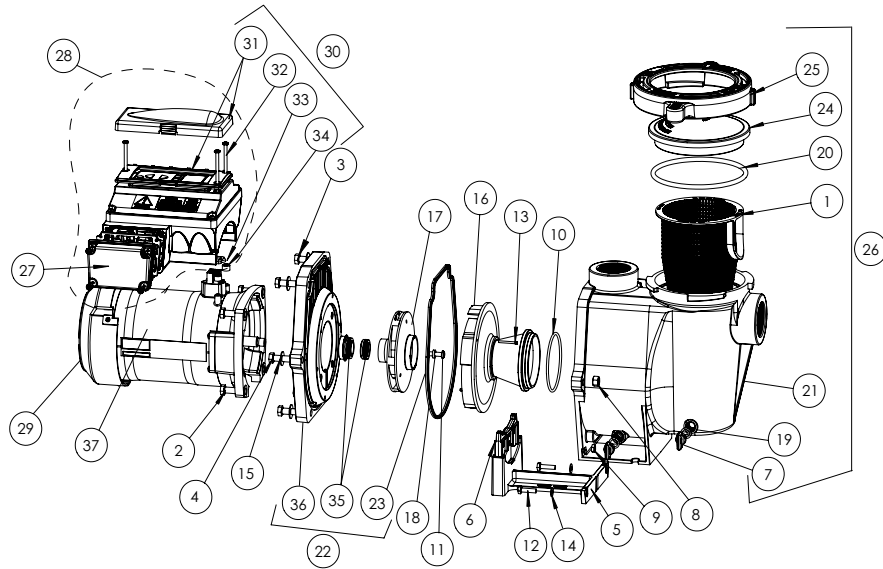
### CALIFORNIA PROPOSITION 65 WARNING

**⚠ WARNING:** Cancer and Reproductive Harm.  
**⚠ AVERTISSEMENT:** Peut Causer le Cancer et des Dommages au Système Reproducteur.  
**⚠ ADVERTENCIA:** Cáncer y Daño Reproductivo.  
[www.p65warnings.ca.gov](http://www.p65warnings.ca.gov)

Product on pages 236–237.

# INTELLIPRO® VS+SVRS PUMP - BEFORE JUNE 2016

## REPLACEMENT PARTS



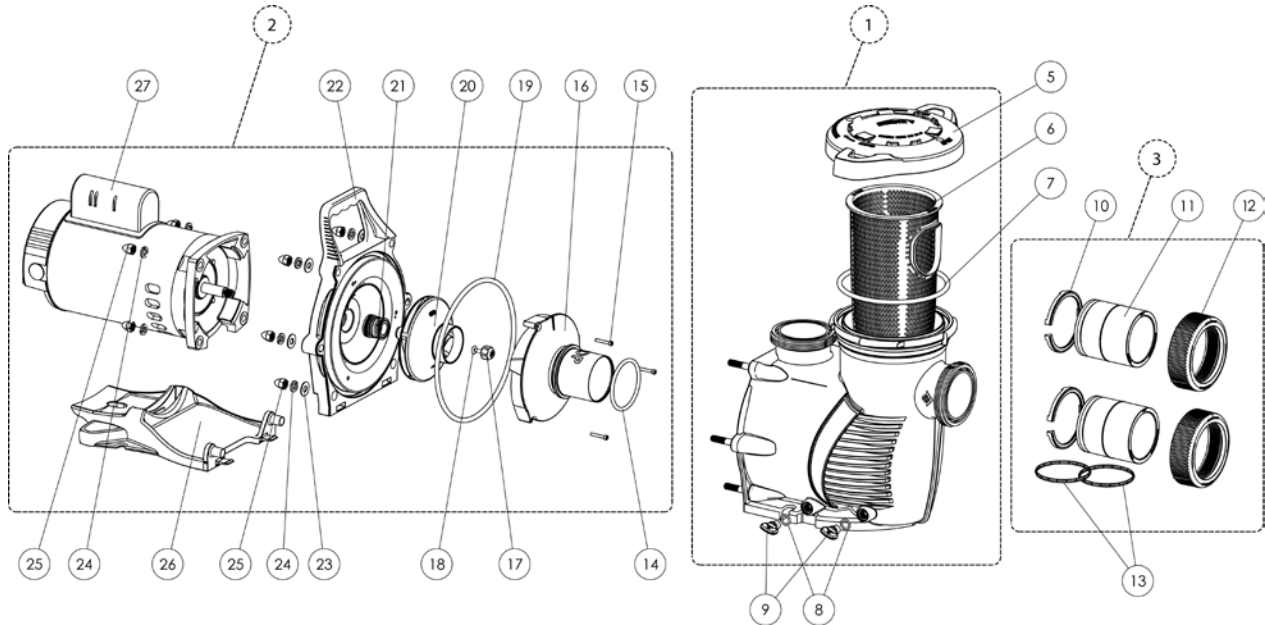
| Item                           | Part No. | Description  | US List | Can. List |
|--------------------------------|----------|--|---------|-----------|
| <b>INTELLIPRO VS+SVRS PUMP</b> |          |  |         |           |
| 1                              | 070387Z  | Basket WF  | 25.85   | 31.06     |
| 2                              | 070429Z  | Bolt, 3/8-16 X 7/8 SS Hex Head 18-8, 4 req.            | 4.86    | 5.84      |
| 3                              | 070430Z  | Bolt, 3/8-16 x 1-1/4 hex cap 18-8 S/S, 4 req.          | CALL    | CALL      |
| 4                              | 070431   | Bolt, 3/8-16 x 2 hex cap 18-8 S/S, 2 req.              | 4.25    | 5.11      |
| 5                              | 357159   | Foot WF, pump motor support, black                     | 59.26   | 71.21     |
| 6                              | 357160   | Foot insert WF pump, black                             | 29.73   | 35.72     |
| 7                              | 357161Z  | Plug drain WFE, black, 2 req.                          | 7.80    | 9.37      |
| 8                              | 071403   | Nut, 3/8-16 brass nickel plated, 2 req.                | CALL    | CALL      |
| 9                              | 071406Z  | Nut, 1/4-20 hex S/S, 2 req.                            | 12.37   | 14.86     |
| 10                             | 355227Z  | O-ring #238, 3.484 x .139, buna N 70                   | 5.04    | 6.06      |
| 11                             | 071652Z  | Screw, 1/4, 20 x 1 LH phillips pan MS 18-8 S/S, 1 req. | 4.86    | 5.84      |
| 12                             | 071657Z  | Screw, 1/4-20 x 1 in. hex cap 18-8 S/S, 2 req.         | 4.86    | 5.84      |
| 13                             | 071660Z  | Screw set, 4-40 x 5/8 WFE sckt cap 18-8 S/S, 2 req.    | 5.04    | 6.06      |
| 14                             | 072183   | Washer, flat 1/4 x 5/8 20GA thick 18-8 S/S, 2 req.     | 2.38    | 2.86      |
| 15                             | 072184   | Washer, 3/8 ID x 7/8 OD .05 thick 18-8 S/S, 6 req.     | 2.38    | 2.86      |
| 16                             | 072928Z  | Diffuser assembly, black                               | 58.37   | 70.14     |
| 17                             | 073131Z  | Impeller, IntelliPro VS+SVRS                           | CALL    | CALL      |
| 18                             | 075713Z  | Rubber washer, WFE pump, 1 req.                        | CALL    | CALL      |
| 19                             | 192115Z  | O-ring 112, .487 x .103 buna -N 70, 2 req.             | 3.90    | 4.69      |
| 20                             | 350013Z  | O-ring lid CH/WF 2-436, 1 req.                         | 5.83    | 7.01      |
| 21                             | 357157   | Housing WFE, black                                     | 352.73  | 423.84    |
| 22                             | 350203   | Seal plate kit, black w/ gasket (Items 23, 35, 36)     | 311.21  | 373.95    |
| 23                             | 357100Z  | Black Gasket for Seal plate                            | 9.97    | 11.98     |
| 24                             | 357151Z  | Lid, see thru WF.                                      | 45.21   | 54.32     |
| 24                             | 357156   | Lid, Chemical Resistant                                | 104.66  | 125.76    |
| 25                             | 357150   | Clamp cam & ramp WF, black                             | 73.69   | 88.55     |

| Item             | Part No. | Description  | US List | Can. List |
|------------------|----------|--|---------|-----------|
| 26               | 357244   | Pot WF assy., black (contains 1, 7 (qty. 2), 19 (qty. 2), 20, 21, 24, 25)  | 738.09  | 886.89    |
| 27               | 350310   | Junction Box Cover - Black   | 31.36   | 37.68     |
| 28               | 353250   | IntelliPro VS+SVRS Drive Kit - Contains Drive and Control Cover Assy.  | CALL    | CALL      |
| 29               | 352501   | Motor fan kit, black (contains fan, shroud, hardware).   | 268.24  | 322.32    |
| 30               | 350701   | Drive Control Cover assembly kit, black (contains drive lid, screws, spacer caps, items 31, 32 (qty. 3), 33, 34 (qty. 3) 1 | 334.66  | 402.13    |
| 30               | 401100   | Drive Control Cover assembly kit, black (contains drive lid, screws, spacer caps, items 31, 32 (qty. 3), 33, 34 (qty. 3) 2 | 334.66  | 402.13    |
| 31               | 401101   | Control cover assembly (not sold individually - order assy kit item 30)  | CALL    | CALL      |
| 32               | 350107   | Screw 10-24 x 3/4 in. PH MS 18-8 s/s (qty. 3)  | 6.47    | 7.77      |
| 33               | 350108   | IntelliPro drive gasket  | 13.44   | 16.15     |
| 34               | 350142   | Spacer cap (qty. 3)  | 46.98   | 56.45     |
| 35               | 071734S  | Seal Kit   | 46.83   | 56.27     |
| 36               | 357158   | Seal Plate - black   | 144.64  | 173.80    |
| 37               | 357294S  | Motor VFD 3.2KW PMSM replacement, black  | CALL    | CALL      |
| <b>NOT SHOWN</b> |          |  |         |           |
|                  | 350122Z  | 50 ft. Communication Cable   | CALL    | CALL      |
|                  | 347910   | Black Volute/Seal plate Replacement Kit (Items 1, 7 (qty. 2), 19 (Qty 2), 20, 21, 22, 23, 24, 25)                          | CALL    | CALL      |
|                  | 350612   | Hardware/gasket assy. kit (contains 3 screws, 3 spacer caps and drive gasket)  | 167.05  | 200.73    |
|                  | 357603   | Union Kit (contains 2 complete unions for one pump, not included with pump).   | 172.60  | 207.40    |
|                  | 350101   | Seal plate kit without gasket (Items 35 and 36)  | CALL    | CALL      |
|                  | 350198   | Seal Plate Kit (ozone/salt resistant)  | 303.94  | 365.21    |

<sup>1</sup> Used on pumps manufactured before 3/20/2013  
<sup>2</sup> Used on pumps manufactured after 3/20/2013  
<sup>3</sup> Contact factory for IntelliPro VS+SVRS

# MAX-E-PROXF® SERIES PUMP

## REPLACEMENT PARTS



| Item                     | Part No.               | Description  | US List | Can. List |
|--------------------------|------------------------|--|---------|-----------|
| <b>MAX-E-PRO XF PUMP</b> |                        |  |         |           |
| 1                        | 401000                 | Wet End Assembly   | 485.54  | 583.42    |
| 2                        | See chart on next page | Power End Assembly   |         |           |
| 3                        | 410020                 | Union Kit Without Tap                                      | 221.19  | 265.78    |
| 5                        | 401006                 | Lid/Locking Ring Assembly                                  | 85.44   | 102.66    |
| 6                        | 400007Z                | XF Series Replacement Basket                               | 53.43   | 64.20     |
| 7                        | 35505-1440Z            | Lid/Locking Ring O-Ring                                    | CALL    | CALL      |
| 8                        | 192115Z                | Drain Plug O-Ring  | 3.90    | 4.69      |
| 9                        | 357161Z                | Drain Plug   | 7.80    | 9.37      |
| 10                       | 410001                 | 2.5 in. C-Clip Locking Ring                                | 10.83   | 13.01     |
| 11                       | 410002                 | 2.5 in. Union Adapter without Tap                          | 51.26   | 61.59     |
| 12                       | 411000                 | 2.5 in. Union Nut  | 29.72   | 35.71     |
| 13                       | 410016Z                | 2.5 in. Seal Kit - (Includes two)                          | 18.28   | 21.97     |
| 14                       | 350336Z                | Diffuser O-Ring  | CALL    | CALL      |
| 15                       | 353323                 | Diffuser Screw   | 5.06    | 6.08      |
| 16                       | See chart on next page | Diffuser   |         |           |
| 17                       | 37337-6080             | Impeller Screw, Plastic-Head (pumps mfg. before 10/7/2019) | 29.74   | 35.74     |
| 17                       | 356073                 | Impeller Screw, Metal-Head (pumps mfg. after 10/7/2019)    | 11.64   | 13.99     |
| 18                       | 33455-1047             | Impeller Reverse Screw O-Ring                              | CALL    | CALL      |

| Item             | Part No.               | Description                       | US List | Can. List |
|------------------|------------------------|-----------------------------------|---------|-----------|
| 19               | 351446Z                | Seal Plate O-Ring                 | CALL    | CALL      |
| 20               | See chart on next page | Impeller Assembly                 |         |           |
| 21               | 17351-0101S            | Mechanical Seal Assembly          | 40.29   | 48.41     |
| 22               | 401002                 | Seal Plate                        | 320.90  | 385.59    |
| 23               | 072184                 | Flat Washer                       | 2.38    | 2.86      |
| 24               | U43-12SS               | Split Lock Washer                 | 4.14    | 4.97      |
| 25               | 071413                 | Acorn Nut                         | 1.87    | 2.25      |
| 26               | 401004Z                | Motor Base                        | 59.26   | 71.21     |
| 27               | See chart on next page | Motor                             |         |           |
| <b>NOT SHOWN</b> |                        |                                   |         |           |
|                  | 400030Z                | Hardware and O-Rings Kit          | 97.10   | 116.68    |
|                  | 400032Z                | Seal Plate Kit w/ Mechanical Seal | 310.77  | 373.42    |
|                  | 400012                 | Riser Plate XF to Challenger      | 102.52  | 123.19    |
|                  | 401014Z                | Motor End Cap and Screw           | 40.15   | 48.24     |
|                  | 357924Z                | Fan Guard Kit TEFC/Super-Duty     | CALL    | CALL      |

CALIFORNIA PROPOSITION 65 WARNING  
 ⚠️ **WARNING:** Cancer and Reproductive Harm.  
 ⚠️ **AVERTISSEMENT:** Peut Causer le Cancer et des Dommages au Système Reproducteur.  
 ⚠️ **ADVERTENCIA:** Cáncer y Daño Reproductivo.  
[www.p65warnings.ca.gov](http://www.p65warnings.ca.gov) P650174A

# MAX-E-PROXF<sup>®</sup> SERIES PUMP (CONT'D)

## REPLACEMENT PARTS



| Item             | Part No. | Description | US List | Can. List |
|------------------|----------|-------------|---------|-----------|
| <b>IMPELLERS</b> |          |             |         |           |
| 20               | 400020Z  | XFET-8      | 180.49  | 216.88    |
| 20               | 400015Z  | XFET-12     | 195.58  | 235.01    |
| 20               | 400023Z  | XFET-20     | 210.59  | 253.04    |
| 20               | 400020Z  | XF-8        | 180.49  | 216.88    |
| 20               | 400015Z  | XF-12       | CALL    | CALL      |
| 20               | 400020Z  | XFE-8       | 180.49  | 216.88    |
| 20               | 400015Z  | XFE-12      | CALL    | CALL      |
| 20               | 400023Z  | XFE-20      | 210.59  | 253.04    |
| 20               | 400020Z  | XFDS-8      | 180.49  | 216.88    |
| 20               | 400015Z  | XFDS-12     | 195.58  | 235.01    |
| 20               | 400020Z  | XFDS-30     | 180.49  | 216.88    |
| 20               | 400020Z  | XF-30       | 180.49  | 216.88    |
| 20               | 400020Z  | XFE-30      | 180.49  | 216.88    |
| 20               | 400020Z  | XFJ-8       | 180.49  | 216.88    |
| 20               | 400015Z  | XFJ-12      | 195.58  | 235.01    |
| 20               | 400023Z  | XFJ-20      | 210.59  | 253.04    |
| 20               | 400020Z  | XFK-8       | 180.49  | 216.88    |
| 20               | 400015Z  | XFK-12      | 195.58  | 235.01    |
| 20               | 400023Z  | XFK-20      | 210.59  | 253.04    |

| <b>MOTORS</b> |         |                               |         |         |
|---------------|---------|-------------------------------|---------|---------|
| 27            | 354816S | 2hp 1-Phase TEFC 208-230V     | 873.51  | 1049.61 |
| 27            | 354818S | 3hp 1-Phase TEFC 208-230V     | 1141.45 | 1371.57 |
| 27            | 354820S | 5hp 1-Phase TEFC 208-230V     | 1424.58 | 1711.78 |
| 27            | 355027S | 2hp Standard E 230V           | CALL    | CALL    |
| 27            | 355034S | 3hp Standard E 230V           | CALL    | CALL    |
| 27            | 355015S | 2hp High Eff 208-230V         | CALL    | CALL    |
| 27            | 355017S | 3hp High Eff 208-230V         | CALL    | CALL    |
| 27            | 353319S | 5hp High Eff 208-230V         | CALL    | CALL    |
| 27            | 359527S | 2hp 2 Speed 230V              | CALL    | CALL    |
| 27            | 353318S | 3hp 2 Speed 230V              | CALL    | CALL    |
| 27            | 359527S | 2.5hp Uprated 2 Speed 230V    | CALL    | CALL    |
| 27            | 355027S | 2.5hp Uprated Standard E 230V | CALL    | CALL    |
| 27            | 355015S | 2.5hp Uprated High E 208-230V | CALL    | CALL    |
| 27            | 354810S | 2hp 3 Phase 208-230-460V      | 921.65  | 1107.45 |
| 27            | 354812S | 3hp 3 Phase 208-230-460V      | 1115.65 | 1340.57 |
| 27            | 354814S | 5hp 3 Phase 208-230-460V      | 1356.15 | 1629.55 |

| Item             | Part No. | Description | US List | Can. List |
|------------------|----------|-------------|---------|-----------|
| <b>DIFFUSERS</b> |          |             |         |           |
| 16               | 400010   | XFET-8      | 140.43  | 168.74    |
| 16               | 400010   | XFET-12     | 140.43  | 168.74    |
| 16               | 400011Z  | XFET-20     | 151.57  | 182.13    |
| 16               | 400010   | XF-8        | 140.43  | 168.74    |
| 16               | 400010   | XF-12       | 140.43  | 168.74    |
| 16               | 400010   | XFE-8       | 140.43  | 168.74    |
| 16               | 400010   | XFE-12      | 140.43  | 168.74    |
| 16               | 400011Z  | XFE-20      | 151.57  | 182.13    |
| 16               | 400010   | XFDS-8      | 140.43  | 168.74    |
| 16               | 400010   | XFDS-12     | 140.43  | 168.74    |
| 16               | 400010   | XFDS-30     | 140.43  | 168.74    |
| 16               | 400010   | XF-30       | 140.43  | 168.74    |
| 16               | 400010   | XFE-30      | 140.43  | 168.74    |
| 16               | 400010   | XFJ-8       | 140.43  | 168.74    |
| 16               | 400010   | XFJ-12      | 140.43  | 168.74    |
| 16               | 400011Z  | XFJ-20      | 151.57  | 182.13    |
| 16               | 400010   | XFK-8       | 140.43  | 168.74    |
| 16               | 400010   | XFK-12      | 140.43  | 168.74    |
| 16               | 400011Z  | XFK-20      | 151.57  | 182.13    |

| <b>POWER ENDS</b> |         |                               |         |         |
|-------------------|---------|-------------------------------|---------|---------|
| 2                 | 401632Z | 2hp 1-Phase TEFC 208-230V     | 1928.01 | 2316.70 |
| 2                 | 401633Z | 3hp 1-Phase TEFC 208-230V     | 2314.06 | 2780.57 |
| 2                 | 401634Z | 5hp 1-Phase TEFC 208-230V     | 2498.40 | 3002.08 |
| 2                 | 401612Z | 2hp Standard E 230V           | 1773.67 | 2131.24 |
| 2                 | 401613Z | 3hp Standard E 230V           | 1897.45 | 2279.98 |
| 2                 | 401609Z | 2hp High Eff 208-230V         | 1801.88 | 2165.14 |
| 2                 | 401611Z | 5hp High Eff 208-230V         | 2304.02 | 2768.51 |
| 2                 | 401607Z | 2hp 2 Speed 230V              | 1988.86 | 2389.81 |
| 2                 | 401607Z | 2.5hp Uprated 2 Speed 230V    | 1988.86 | 2389.81 |
| 2                 | 401612Z | 2.5hp Uprated Standard E 230V | 1773.67 | 2131.24 |
| 2                 | 401609Z | 2.5hp Uprated High E 208-230V | 1801.88 | 2165.14 |
| 2                 | 401617Z | 2hp 3 Phase 208-230-460V      | CALL    | CALL    |
| 2                 | 401618Z | 3hp 3 Phase 208-230-460V      | CALL    | CALL    |
| 2                 | 401619Z | 5hp 3 Phase 208-230-460V      | CALL    | CALL    |

**Note: Pumps and replacement motors that are single speed and one (1) Total HP or greater cannot be sold, offered for sale, or installed in a residential pool for filtration use in California, Title 20 CCR sections 1601-1609.**

CALIFORNIA PROPOSITION 65 WARNING

⚠ **WARNING:** Cancer and Reproductive Harm.  
⚠ **AVERTISSEMENT:** Peut Causer le Cancer et des Dommages au Système Reproducteur.  
⚠ **ADVERTENCIA:** Cáncer y Daño Reproductivo.

[www.p65warnings.ca.gov](http://www.p65warnings.ca.gov)
P/N 201714



# MAX-E-PRO® SERIES PUMP REPLACEMENT PARTS

## Box A

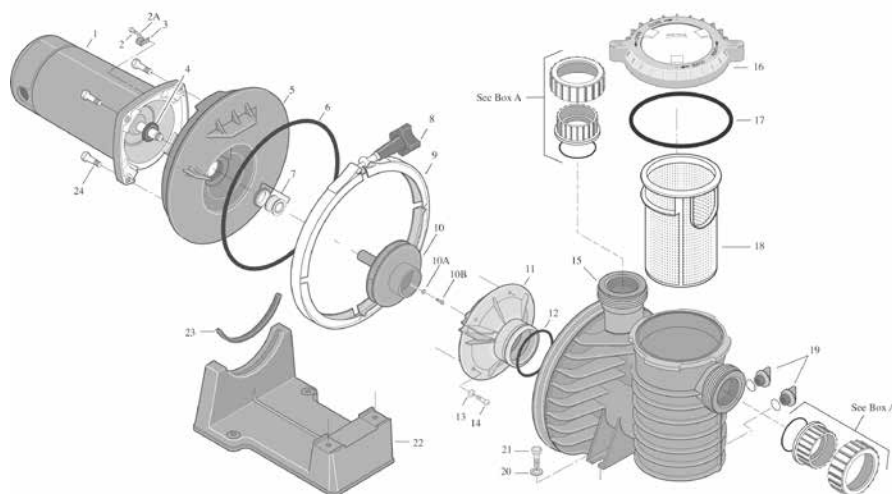
For quick disconnect pipe connections, purchase separately:  
PKG 188Z 2 in. Slip 1/2 Union Kit or  
Pkg. 189 2 in. NPT 1/2 Union Kit.

Includes 2 each:  
U11-200P Union Collar  
U9-362Z O-Ring

U11-196P 2 in. Slip adapter or  
U11-199P 2 in. NPT adapter.

### CALIFORNIA PROPOSITION 65 WARNING

⚠ **WARNING:** Cancer and Reproductive Harm.  
⚠ **AVERTISSEMENT:** Peut Causer le Cancer  
et des Dommages au Système Reproducteur.  
⚠ **ADVERTENCIA:** Cáncer y Daño Reproductivo.  
[www.p65warnings.ca.gov](http://www.p65warnings.ca.gov)



| Model No.                               | HP    | Motor No.<br>(Item No. 1) | Impeller (Item No. 10) | Diffuser<br>(Item No. 11) | Motor<br>Base/Pad |
|---|-------|---------------------------|------------------------|---------------------------|-------------------|
| 1 PHASE 60 HZ PUMPS - TEFC 1-Speed      |       |                           |                        |                           |                   |
| 348150                                  | 1     | 354822S                   | C105-238PBZ            | C1-271P1Z                 | Note 6            |
| 348151                                  | 1-1/2 | 354824S                   | C105-238PDBAZ          | C1-271PZ                  | Note 6            |
| 348152                                  | 2     | 354816S                   | C105-238PEBA           | C1-271PZ                  | Note 6            |
| 348153                                  | 3     | 354818S                   | C105-238PLA            | C1-271PZ                  | Note 6            |
| 1 PHASE 60 HZ PUMPS - 115/230 V 1-Speed |       |                           |                        |                           |                   |
| P6E6C-204L                              | 1/2   | AE100CHL                  | C105-238PX             | C1-271P1Z                 | Note 5            |
| P6E6D-205L                              | 3/4   | AE100DHL                  | C105-238P              | C1-271P1Z                 | Note 5            |
| P6R6D-205L                              | 3/4   | 355021S                   | C105-238P              | C1-271P1Z                 | Note 6            |
| P6E6E-206L                              | 1     | AE100EHL                  | C105-238PBZ            | C1-271P1Z                 | Note 5            |
| P6EA6E-205L                             | 1     | AE100ELL                  | C105-238P              | C1-271P1Z                 | Note 5            |
| P6RA6E-205L                             | 1     | 355021S                   | C105-238P              | C1-271P1Z                 | Note 6            |
| P6R6E-206L                              | 1     | 355023S                   | C105-238PBZ            | C1-271P1Z                 | Note 6            |
| P6EA6F-206L                             | 1-1/2 | AE100FLL                  | C105-238PBZ            | C1-271P1Z                 | Note 5            |
| P6RA6F-206L                             | 1-1/2 | 355023S                   | C105-238PBZ            | C1-271P1Z                 | Note 6            |
| P6R6F-207L                              | 1-1/2 | 355025S                   | C105-238PDBAZ          | C1-271PZ                  | Note 6            |
| 1 PHASE 60 HZ PUMPS - 230V 1-Speed      |       |                           |                        |                           |                   |
| P6E6F-207L                              | 1-1/2 | AE100FHL                  | C105-238PDBAZ          | C1-271PZ                  | Note 5            |
| P6EAA6F-216L                            | 1-3/4 | AE100F5LL                 | C105238PDCA            | C1-271PZ                  | Note 5            |
| P6RAA6F-216L                            | 1-3/4 | A100F5LL                  | C105-238PDCA           | C1-271PZ                  | Note 5            |
| P6E6G-208L                              | 2     | AE100GHL                  | C105-238PEBA           | C1-271PZ                  | Note 5            |
| P6EA6G-207L                             | 2     | 355025S                   | C105-238PDBAZ          | C1-271PZ                  | Note 5            |
| P6RA6G-207L                             | 2     | AE100GHL                  | C105-238PDBAZ          | C1-271PZ                  | Note 6            |
| P6R6G-208L                              | 2     | 355027S                   | C105-238PEBA           | C1-271PZ                  | Note 6            |
| P6EAA6G-208L                            | 2-1/2 | AE100G5LL                 | C105-238PEBA           | C1-271PZ                  | Note 5            |
| P6E6H-209L                              | 3     | AE100HLL                  | C105-238PLA            | C1-271PZ                  | Note 6            |
| P6R6H-209L                              | 3     | 355034S                   | C105-238PLA            | C1-271PZ                  | Note 6            |

**Note:** Pumps and replacement motors that are single speed and one (1) Total HP or greater cannot be sold, offered for sale, or installed in a residential pool for filtration use in California, Title 20 CCR sections 1601-1609.

# MAX-E-PRO® SERIES PUMP (CONT'D)

## REPLACEMENT PARTS



| Model No.                                | HP                                 | Motor No. (Item No. 1) | Impeller (Item No. 10)                  | Diffuser (Item No. 11) | Motor Base/Pad |
|--|------------------------------------|------------------------|---|------------------------|----------------|
| 1 PHASE 60 HZ PUMPS - 2-Speed            |                                    |                        |   |                        |                |
| P6RA6YF-206L                             | 1-1/2 (Hi Speed ), 1/4 (Low Speed) | A100FLL-Y              | C105-238PBA <sup>3</sup>                | C1-271P1Z              | Note 5         |
| P6RA6YG-207L                             | 2 (Hi Speed ), 1/3 (Low Speed)     | AE100GLL-Y             | 17307-0116 <sup>5</sup> , C105-238PDBAZ | C1-271PZ               | Note 5         |
| 3 PHASE 60 HZ PUMPS - 208-230/460 - TEFC |                                    |                        |   |                        |                |
| 345076                                   | 1                                  | 354806S                | C105-238PBA <sup>4</sup>                | C1-271P1Z              | Note 6         |
| 345077                                   | 1-1/2                              | 354808S                | C105-238PDBAZ <sup>4</sup>              | C1-271PZ               | Note 6         |
| 345078                                   | 2                                  | 354810S                | C105-238PEBA <sup>4</sup>               | C1-271PZ               | Note 6         |
| 345079                                   | 3                                  | 354812S                | C105-238PLA <sup>4</sup>                | C1-271PZ               | Note 6         |
| 3 PHASE 60 HZ PUMPS - 200/400v 1 Speed   |                                    |                        |   |                        |                |
| P6R62D3-186                              | 3/4                                | AP100DH2               | C105-238A <sup>4</sup>                  | C1-271P1Z              | Note 5         |
| P6R62E3-187                              | 1                                  | AP100EH2               | C105-238PBA <sup>3</sup>                | C1-271P1Z              | Note 5         |
| P6R62F3-188                              | 1-1/2                              | AP100FH2               | C105-238PDBAZ <sup>4</sup>              | C1-271PZ               | Note 5         |
| P6R62G3-189                              | 2                                  | AP100GH2               | C105-238PEBA <sup>4</sup>               | C1-271PZ               | Note 5         |
| 3-Phase Models: - 575 Volts              |                                    |                        |   |                        |                |
| P6EA6D36-204                             | 3/4                                | 16502-0024S            | C105-238PX <sup>4</sup> A               | C1-271P1Z              | Note 6         |
| P6EA6E36-205                             | 1                                  | 16503-0024S            | C105-238P <sup>4</sup> A                | C1-271P1Z              | Note 6         |
| P6EA6F36-206                             | 1-1/2                              | 62001-1019S            | C105-238PBA <sup>4</sup>                | C1-271P1Z              | Note 5         |
| P6EA6G36-207                             | 2                                  | 62003-2087             | C105-238PDBAZ <sup>4</sup>              | C1-271PZ               | Note 5         |

| Item                                      | Part No.    | Description                           | US List | Can. List |
|---|-------------|---------------------------------------|---------|-----------|
| <b>MAX-E-PRO SERIES REPLACEMENT PARTS</b> |             |                                       |         |           |
| 1   | Chart       | Motor                                 |         |           |
| 2   | U30-692SS   | #10-32 x 1/2 in. Screw                | 3.14    | 3.77      |
| 2A  | U43-22SS    | Lock Washer                           | 2.85    | 3.42      |
| 3   | U17-568     | Bonding Lug                           | CALL    | CALL      |
| 4   | 17351-0009  | Water Slinger                         | 2.91    | 3.50      |
| 5   | C203-194P   | Seal Plate Kit (Incl. Part Nos. 6, 7) | 258.28  | 310.35    |
| 6   | U9-228AZ    | O-Ring (Round)                        | 15.08   | 18.12     |
| 6   | 357099Z     | O-Ring (Square)                       | 15.82   | 19.01     |
| 7   | 17351-0101S | Shaft Seal, EDPM black                | 40.29   | 48.41     |
| 8   | WC36-22Z    | Clamp Knob                            | CALL    | CALL      |
| 9   | C19-37AZ    | Clamp                                 | CALL    | CALL      |
| 10  | Chart       | Impeller                              |         |           |
| 10A                                       | 35505-1426  | Impeller Screw O-Ring                 | 1.62    | 1.95      |
| 10B                                       | Chart       | Impeller Screw                        |         |           |
| 11  | Chart       | Diffuser                              |         |           |
| 12  | U9-374Z     | Diffuser O-Ring                       | 8.37    | 10.06     |
| 12  | 357098Z     | Diffuser O-Ring (Blue Coating)        | 8.89    | 10.68     |
| 13  | U43-21SS    | #8 Lock Washer                        | 2.65    | 3.18      |
| 14  | U30-542SSZ  | Screw (w/ C1-271P1Z Diffuser)         | CALL    | CALL      |
| 15  | 17307-0110S | Tank Body Assembly <sup>2</sup>       | 479.32  | 575.95    |
| 16  | 17307-0111S | Trap Cover Assembly <sup>1</sup>      | 108.40  | 130.25    |
| 17  | 35505-1440Z | Trap O-Ring                           | CALL    | CALL      |

| Item | Part No.   | Description   | US List | Can. List |
|------|------------|---|---------|-----------|
| 18   | C8-58PZ    | Basket  | 21.27   | 25.56     |
| 19   | U178-920PZ | 1/4 in. NPT Drain Plug  | 7.80    | 9.37      |
| 19   | U9-359Z    | Drain Plug O-Ring   | CALL    | CALL      |
| 20   | U43-41SSZ  | Base Washer   | 3.93    | 4.72      |
| 21   | U30-918SS  | Base Screw  | 7.61    | 9.14      |
| 22   | C4-78P     | Base  | 70.03   | 84.15     |
| 22   | C104-79P   | Base w/ Motor Pad   | 71.67   | 86.12     |
| 23   | C35-43     | Motor Pad   | 8.39    | 10.08     |
| 23   | C35-44     | Motor Pad   | 12.39   | 14.89     |
| 24   | U30-74SS   | 3/8-16 x 1 in. Hex Hd. Screw  | 6.76    | 8.12      |
|      | 357924Z    | Fan Guard Kit TEFC/Super-Duty                                       | CALL    | CALL      |
|      | 356196     | Max-E-Pro/IntelliPro Quick Kit (includes 6, 7, 10A, 12, 20(x2), 17) | 46.44   | 55.80     |

- <sup>1</sup> Includes Trap Cover, Trap Ring and Trap Cover O-Ring
- <sup>2</sup> Includes Trap Body, Basket, Drain Plugs, and Trap Cover Assembly
- <sup>3</sup> Uses Key No. 10B Impeller Screw No. 37337-6080
- <sup>4</sup> Uses Key No. 10B Impeller Screw No. 37337-6081
- <sup>5</sup> Uses base C4-78P and motor pad C35-43
- <sup>6</sup> Uses base C104-79P and includes motor pad C35-44

**Note: Pumps and replacement motors that are single speed and one (1) total HP or greater cannot be sold, offered for sale, or installed in a residential pool for filtration use in California, Title 20 CCR sections 1601-1609.**

# MAX-E-PRO® SERIES DOE PUMP REPLACEMENT PARTS

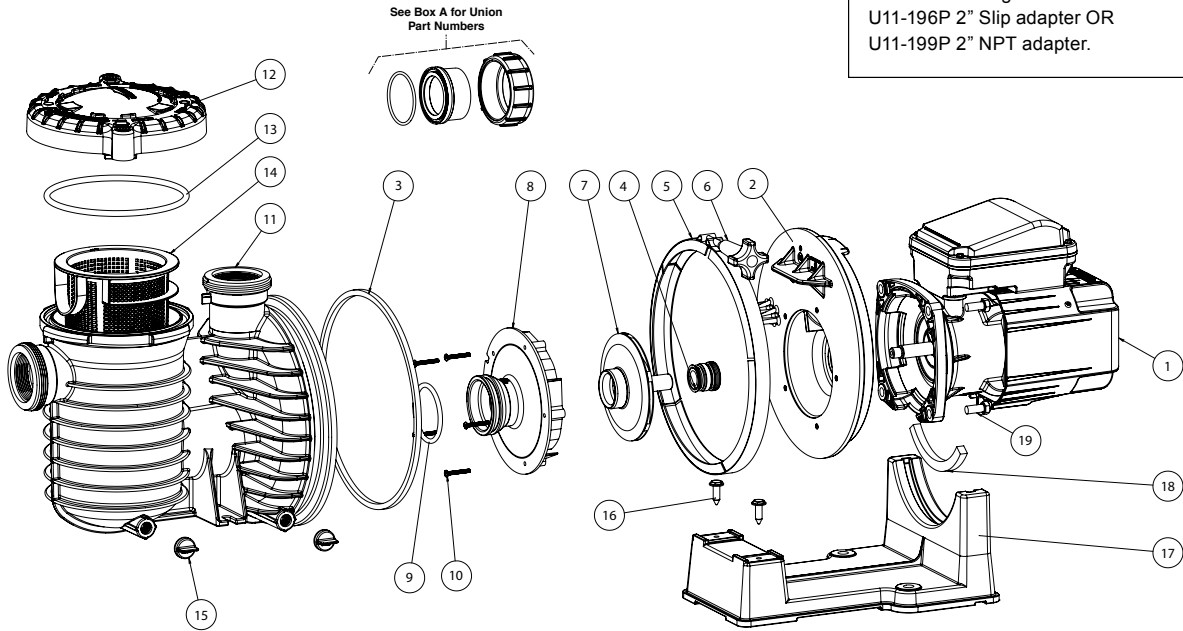


**Box A**

For quick disconnect pipe connections, purchase separately:  
 Pkg. 188 2" Slip 1/2 Union Kit or  
 Pkg. 189 2" NPT 1/2 Union Kit.

**Kit Includes:**

- U11-200P Union Collar
- U9-362Z O-Ring
- U11-196P 2" Slip adapter OR
- U11-199P 2" NPT adapter.



**Replacement Parts for Product #348185**

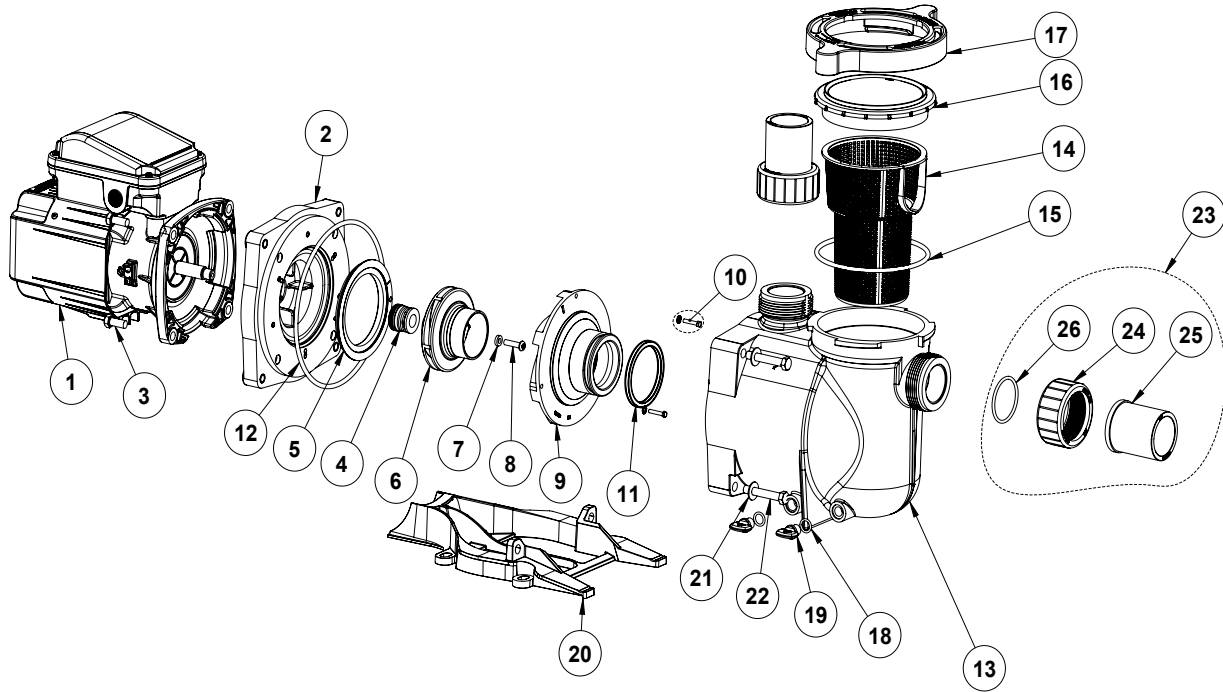
| Item  | Part No.      | Description                      | US List | Can. List |
|---|---------------|----------------------------------|---------|-----------|
| <b>MAX-E-PRO SERIES DOE REPLACEMENT PARTS</b> |               |                                  |         |           |
| 1   | 356362S       | Motor                            | 671.26  | 806.59    |
| 2   | C203-194P     | Seal Plate Kit (Incl. Item# 3-4) | 258.28  | 310.35    |
| 3   | 357099        | Gasket, Seal Plate to Housing    | CALL    | CALL      |
| 4   | 17351-0101S   | Shaft Seal                       | 40.29   | 48.41     |
| 5   | C19-37AZ      | Band Clamp                       | CALL    | CALL      |
| 6   | WC36-22Z      | Band Clamp Knob                  | CALL    | CALL      |
| 7   | C105-238PDOEZ | Impeller                         | 127.00  | 152.60    |
| 8   | 356359Z       | Diffuser                         | 108.85  | 130.79    |
| 9   | 357098Z       | Diffuser O-Ring (Blue Coating)   | 8.89    | 10.68     |
| 10  | 357841Z       | Diffuser Screw Kit               | 10.87   | 13.06     |

| Item | Part No.    | Description                             | US List | Can. List |
|------|-------------|---|---------|-----------|
| 11   | 17307-0110S | Trap Body Assembly (Incl. Item# 12-15)  | 479.32  | 575.95    |
| 12   | 17307-0111S | Trap Cover Assembly (Incl. Item# 12-13) | 108.40  | 130.25    |
| 13   | 35505-1440Z | Trap O-Ring                             | CALL    | CALL      |
| 14   | C8-58P      | Basket                                  | CALL    | CALL      |
| 15   | U178-920P   | Drain Plug, 1/4" NPT (Qty. 2)           | CALL    | CALL      |
| 16   | U30-918SS   | Base Screw (Qty. 2)                     | 7.61    | 9.14      |
| 17   | C4-79P      | Base                                    | 70.03   | 84.15     |
| 18   | C35-43      | Motor Pad                               | 8.39    | 10.08     |
| 19   | U30-74SS    | Screw, 3/8-16 x 1" Hex Head (Qty. 4)    | 6.76    | 8.12      |
| —    | 357810      | Fan Guard Kit                           | CALL    | CALL      |



# SUPERMAX® DOE PUMP

## REPLACEMENT PARTS



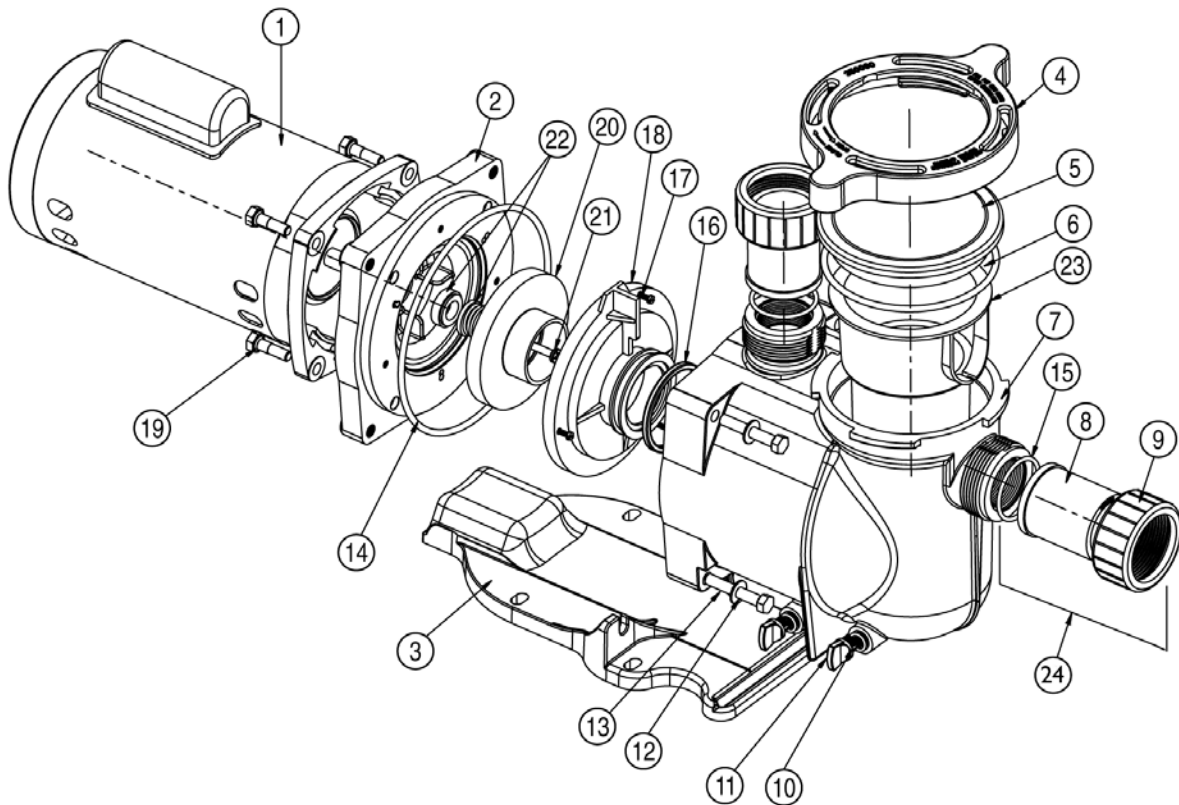
Replacement Parts for Product #348191

| Item                      | Part No. | Description                           | US List | Can. List |
|---------------------------|----------|---------------------------------------|---------|-----------|
| <b>SUPERMAX DOE PUMPS</b> |          |                                       |         |           |
| 1                         | 356362S  | Motor                                 | 671.26  | 806.59    |
| 2                         | 355612   | Seal Plate                            | 134.63  | 161.77    |
| 3                         | 070249   | Bolt, Motor (Qty. 4)                  | CALL    | CALL      |
| 4                         | 354545SS | Shaft Seal Set                        | CALL    | CALL      |
| 5                         | 356357Z  | Hydraulic Isolator                    | 36.29   | 43.61     |
| 6                         | 356356Z  | Impeller                              | 90.70   | 108.99    |
| 7                         | 075713Z  | Washer, Impeller Screw                | CALL    | CALL      |
| 8                         | 071652Z  | Screw, Impeller                       | 4.86    | 5.84      |
| 9                         | 356358Z  | Diffuser                              | 141.50  | 170.03    |
| 10                        | 356213Z  | Screw, Diffuser #8-32 X 7/8" (Qty. 3) | 10.87   | 13.06     |
| 11                        | 355030   | Diffuser Seal                         | CALL    | CALL      |
| 12                        | 355619   | O-Ring, Seal Plate                    | CALL    | CALL      |
| 13                        | 351089   | Strainer Pot                          | 422.73  | 507.95    |

| Item | Part No. | Description                      | US List | Can. List |
|------|----------|----------------------------------|---------|-----------|
| 14   | 355667Z  | Strainer Basket                  | CALL    | CALL      |
| 15   | 357255   | O-Ring, Lid                      | CALL    | CALL      |
| 16   | 350091Z  | Lid                              | CALL    | CALL      |
| 17   | 351090   | Locking Ring                     | 62.53   | 75.14     |
| 18   | 192115Z  | O-Ring, Drain Plug, (Qty. 2)     | 3.90    | 4.69      |
| 19   | 357161Z  | Drain Plug (Qty. 2)              | 7.80    | 9.37      |
| 20   | 351094   | Base                             | 148.72  | 178.70    |
| 21   | 072184   | Washer, Strainer Pot, (Qty. 4)   | 2.38    | 2.86      |
| 22   | 355621   | Bolt, Strainer Pot (Qty. 4)      | 7.71    | 9.26      |
| 23   | 351157   | Union Kit (Includes Items 24-26) | 130.75  | 157.11    |
| 24   | 270141Z  | Union Nut (Qty. 2)               | CALL    | CALL      |
| 25   | 350093   | Union Adapter (Qty. 2)           | 28.10   | 33.76     |
| 26   | 6020018Z | Union O-Ring (Qty. 2)            | CALL    | CALL      |
| —    | 357810   | Motor Fan Guard                  | CALL    | CALL      |

# SUPERMAX® PUMP

## REPLACEMENT PARTS



**Note: Pumps and replacement motors that are single speed and one (1) total HP or greater cannot be sold, offered for sale, or installed in a residential pool for filtration use in California, Title 20 CCR sections 1601-1609.**

CALIFORNIA PROPOSITION 65 WARNING  
 ⚠️ **WARNING:** Cancer and Reproductive Harm.  
 ⚠️ **AVERTISSEMENT:** Peut Causer le Cancer et des Dommages au Système Reproducteur.  
 ⚠️ **ADVERTENCIA:** Cáncer y Daño Reproductivo.  
[www.p65warnings.ca.gov](http://www.p65warnings.ca.gov) PK32017A

# SUPERMAX® PUMP (CONT'D)

## REPLACEMENT PARTS

| Item                                | Part No. | Description  | US List | Can. List |
|-------------------------------------|----------|--|---------|-----------|
| <b>SINGLE SPEED SUPERMAX MOTORS</b> |          |  |         |           |
| 1                                   | 354804S  | 3/4HP, 1SP, 1PH, TEFC, 115/208-230                             | CALL    | CALL      |
| 1                                   | 354822S  | 1HP, 1SP, 1PH, TEFC, 115/208-230                               | 622.43  | 747.91    |
| 1                                   | 354824S  | 1-1/2HP, 1SP, 1PH, TEFC, 208-230                               | 733.14  | 880.94    |
| 1                                   | 354816S  | 2HP, 1SP, 1PH, TEFC, 208-230                                   | 873.51  | 1049.61   |
| 1                                   | 355019S  | 1/2 HP Motor, SQFL, 1 sp, 1 ph, 60 Hz, 115/208-230, Black      | CALL    | CALL      |
| 1                                   | 355019S  | 3/4 HP Motor, SQFL, 1 sp, 1 ph, 60 Hz, 115/208-230, Black      | CALL    | CALL      |
| 1                                   | 355021S  | 1 HP Motor, SQFL, 1 sp, 1 ph, 60 Hz, 2115/208-230, Black       | CALL    | CALL      |
| 1                                   | 355023S  | 1-1/2 HP Motor, SQFL, 1 sp, 1 ph, 60 Hz, 115/208-230, black    | CALL    | CALL      |
| 1                                   | 355025S  | 2 HP Motor, SQFL, 1 sp, 1 ph, 60 Hz, 115/208-230, Black        | CALL    | CALL      |
| 1                                   | 355027S  | 2-1/2 HP Motor, SQFL, 1 sp, 1 ph, 60 Hz, 208-230, Black        | CALL    | CALL      |
| <b>2 SPEED SUPERMAX MOTORS</b>      |          |  |         |           |
| 1                                   | 355232S  | 1 HP Motor, SQFL, 2 sp, 1 ph, 60 Hz, 230V, Black               | CALL    | CALL      |
| 1                                   | 355376S  | 1-1/2 HP Motor, SQFL, 2 sp, 1 ph, 60 Hz, 230V, Black           | CALL    | CALL      |
| 1                                   | 355377S  | 2 HP Motor, SQFL, 2 sp, 1 ph, 60 Hz, 230V, Black               | CALL    | CALL      |
| <b>EFFICIENT SUPERMAX MOTORS</b>    |          |  |         |           |
| 1                                   | 355009S  | 1/2 HP Motor SQFL, 1 Speed, 1 phase, 60 Hz, 115/208-230, black | CALL    | CALL      |
| 1                                   | 355009S  | 3/4 HP Motor SQFL, 1 Speed, 1 phase, 60 Hz, 115/208-230, black | CALL    | CALL      |
| 1                                   | 355009S  | 1 HP Motor SQFL, 1 Speed, 1 phase, 60 Hz, 115/208-230, black   | CALL    | CALL      |
| 1                                   | 355011S  | 1.5 HP Motor SQFL, 1 Speed, 1 phase, 60 Hz, 115/208-230, black | CALL    | CALL      |
| 1                                   | 355013S  | 2 HP Motor SQFL, 1 Speed, 1 phase, 60 Hz, 208-230, black       | CALL    | CALL      |
| 1                                   | 355015S  | 2.5 HP Motor SQFL, 1 Speed, 1 phase, 60 Hz, 208-230, black     | CALL    | CALL      |
| <b>SUPERMAX PUMPS</b>               |          |  |         |           |
| 2                                   | 355612   | Seal Plate, Black  | 134.63  | 161.77    |
| 3                                   | 351094   | Base, Black  | 148.72  | 178.70    |
| 4                                   | 351090   | Clamp, Ramp & Cam, Black                                       | 62.53   | 75.14     |
| 5                                   | 350091Z  | Lid  | CALL    | CALL      |
| 6                                   | 357255Z  | O-ring, Lid #2-357   | 8.53    | 10.25     |
| 7                                   | 351089   | Volute, Black  | 422.73  | 507.95    |

| Item                      | Part No. | Description   | US List | Can. List |
|---------------------------|----------|---|---------|-----------|
| 8                         | 350093   | Adapter, 2 req.                                     | 28.10   | 33.76     |
| 9                         | 270141Z  | Nut, 2 req.   | CALL    | CALL      |
| 10                        | 192115Z  | O-Ring Drain Plug, 2 req.                           | 3.90    | 4.69      |
| 11                        | 357161Z  | Drain Plug, 2 req.                                  | 7.80    | 9.37      |
| 12                        | 355621   | ScREW 3/4-16 x 2-1/4 HEX HD,4 req.                  | 7.71    | 9.26      |
| 13                        | 072184   | Washer 3/8 in. S/S, 4 req.                          | 2.38    | 2.86      |
| 14                        | 355619Z  | O-Ring Seal Bracket                                 | 16.72   | 20.09     |
| 15                        | 6020018Z | O-Ring Adapter #2-226, 2 req.                       | CALL    | CALL      |
| 16                        | 355030Z  | Seal Diffuser                                       | 14.49   | 17.41     |
| 17                        | 355334Z  | Screw #8-32 HEX Washer HD, 3 req.                   | 4.86    | 5.84      |
| 22                        | 354545S  | Seal Set  | 44.23   | 53.15     |
|                           | 356210S  | Seal, mechanical, ozone/salt resistant              | 49.29   | 59.23     |
| 23                        | 355667Z  | Basket, Large                                       | CALL    | CALL      |
| 24                        | 351157   | SuperMax Union Kit (includes 2 of Items 8, 9, & 15) | 130.75  | 157.11    |
| <b>SUPERMAX DIFFUSERS</b> |          |   |         |           |
| 18                        | 355617   | Diffuser, 1/2 HP                                    | 148.31  | 178.21    |
| 18                        | 355617   | Diffuser, 3/4 HP                                    | 148.31  | 178.21    |
| 18                        | 355617   | Diffuser, 1 HP                                      | 148.31  | 178.21    |
| 18                        | 355618   | Diffuser, 1-1/2 HP                                  | 148.31  | 178.21    |
| 18                        | 355618   | Diffuser, 2 HP                                      | 148.31  | 178.21    |
| 18                        | 350170   | Diffuser, 2-1/2 HP                                  | 146.07  | 175.52    |
| 19                        | 070429Z  | Bolt, 3/8-16 X 7/8 SS Hex Head 18-8, 4 req.         | 4.86    | 5.84      |
| <b>SUPERMAX IMPELLERS</b> |          |   |         |           |
| 20                        | 355043   | Impeller 1/2 HP                                     | 84.10   | 101.05    |
| 20                        | 355043   | Impeller 3/4 HP                                     | 84.10   | 101.05    |
| 20                        | 355067Z  | Impeller 1 HP                                       | CALL    | CALL      |
| 20                        | 355074Z  | Impeller 1-1/2 HP                                   | CALL    | CALL      |
| 20                        | 355086Z  | Impeller 2 HP                                       | CALL    | CALL      |
| 20                        | 355093   | Impeller 2-1/2 HP                                   | 88.97   | 106.91    |
| 20                        | 355067Z  | Impeller 1 HP, 2-SPD                                | CALL    | CALL      |
| 20                        | 355074Z  | Impeller 1-1/2 HP, 2-SPD                            | CALL    | CALL      |
| 20                        | 355086Z  | Impeller 2 HP, 2-SPD                                | CALL    | CALL      |
| 21                        | 355389Z  | Screw, Impeller Locking                             | CALL    | CALL      |
| <b>NOT SHOWN</b>          |          |   |         |           |
|                           | 79129900 | 2-Speed Toggle Switch                               | 75.42   | 90.62     |
|                           | 401014Z  | Motor End Cap and Screw                             | 40.15   | 48.24     |
|                           | 357924Z  | Fan Guard Kit TEFC/Super-Duty                       | CALL    | CALL      |

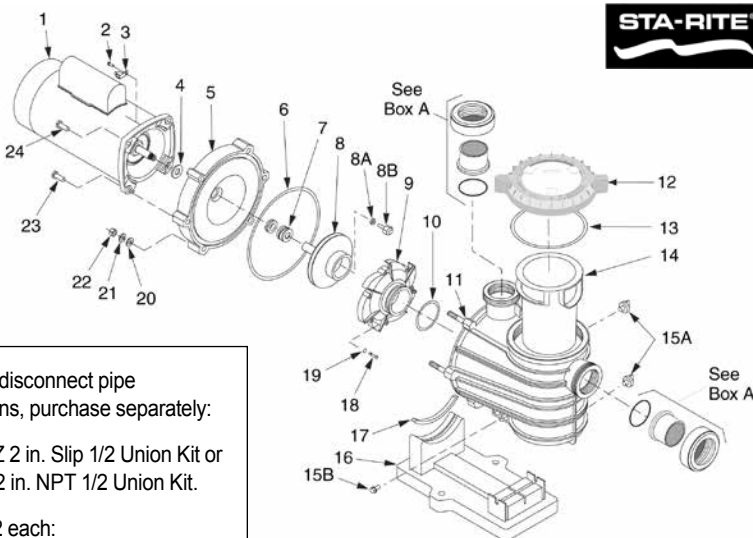
CALIFORNIA PROPOSITION 65 WARNING  
 ⚠️ WARNING: Cancer and Reproductive Harm.  
 ⚠️ AVERTISSEMENT: Peut Causer le Cancer et des Dommages au Système Reproducteur.  
 ⚠️ ADVERTENCIA: Cáncer y Daño Reproductivo.  
[www.p65warnings.ca.gov](http://www.p65warnings.ca.gov)

# DYNA-PRO®/DYNA-PRO E PUMPS

1/2 THROUGH 2-1/2 HP MODELS, SINGLE SPEED AND TWO SPEED REPLACEMENT PARTS

Motor Chart

| Model No.                        | HP    | Motor No. (Key No. 1) |
|----------------------------------|-------|-----------------------|
| <b>Single Speed 115/230/60/1</b> |       |                       |
| MPRA6D-204L                      | 3/4   | A100DLL               |
| MPRA6E-205L                      | 1     | A100ELL               |
| MPRA6F-206L                      | 1-1/2 | A100FLL               |
| MPEA6D-204L                      | 3/4   | AE100DLL              |
| MPEA6E-205L                      | 1     | AE100ELL              |
| MPEA6F-206L                      | 1-1/2 | AE100FLL              |
| MPE6C-204L                       | 1/2   | AE100CHL              |
| MPE6D-205L                       | 3/4   | AE100DHL              |
| MPE6E-206L                       | 1     | AE100EHL              |
| <b>230/60/1</b>                  |       |                       |
| MPRA6G-207L                      | 2     | A100GLL               |
| MPEA6G-207L                      | 2     | AE100GLL              |
| MPEAA6G-208L                     | 2-1/2 | AE100G5LL             |
| MPE6F-207L                       | 1-1/2 | AE100FHL              |
| MPE6G-208L                       | 2     | AE100GHL              |
| <b>Two Speed 230/60/1</b>        |       |                       |
| MPRA6YF-206L                     | 1-1/2 | A100FLL-Y             |
| MPEA6YG-207L                     | 2     | AE100GLL-Y            |
| MPEAA6YG-208L                    | 2-1/2 | AE100G5LL-Y           |
| MPE6YF-207L                      | 1-1/2 | AE100GLL-Y            |
| MPE6YG-208L                      | 2     | AE100G5LL-Y           |



**Box A**

For quick disconnect pipe connections, purchase separately:  
 PKG 188Z 2 in. Slip 1/2 Union Kit or Pkg. 189 2 in. NPT 1/2 Union Kit.

Includes 2 each:  
 U11-200P Union Collar  
 U9-362Z O-Ring  
 U11-196P 2 in. Slip adapter or U11-199P 2 in. NPT adapter.

**CALIFORNIA PROPOSITION 65 WARNING**

⚠ **WARNING:** Cancer and Reproductive Harm.  
 ⚠ **AVERTISSEMENT:** Peut Causer le Cancer et des Dommages au Système Reproducteur.  
 ⚠ **ADVERTENCIA:** Cáncer y Daño Reproductivo.  
[www.p65warnings.ca.gov](http://www.p65warnings.ca.gov) P8/2017A

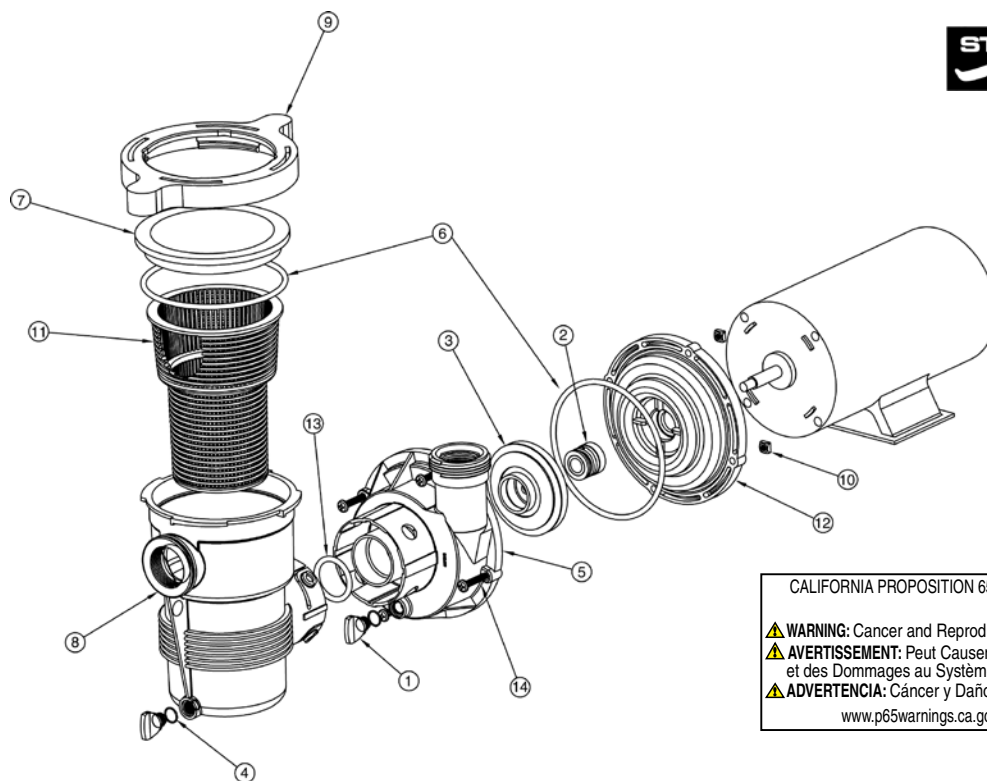
| Item                              | Part No.    | Description  | US List | Can. List |
|-----------------------------------|-------------|--|---------|-----------|
| <b>DYNA-PRO REPLACEMENT PARTS</b> |             |  |         |           |
| 2                                 | U30-692SS   | Screw #10-32 x 1/2 in.   | 3.14    | 3.77      |
| 3                                 | U17-568     | Bonding Lug  | CALL    | CALL      |
| 4                                 | 17351-0009  | Slinger  | 2.91    | 3.50      |
| 5                                 | C3-184P     | Seal Plate   | 181.27  | 217.81    |
| 6                                 | U9-373Z     | Seal Plate Cord Ring   | 14.17   | 17.03     |
| 7                                 | 17351-0101S | Shaft Seal   | 40.29   | 48.41     |
| 8                                 | C105-236P   | Impeller, 1/2 HP - Models MPEA6D-204L, MPE6C-204L, MPRA6D-204L                             | 73.18   | 87.93     |
| 8                                 | C105-236PB  | Impeller, 1 HP - Models MPEA6E-205L, MPE6D-205L, MPRA6E-205L, MPRA6E-147L, MPRA6E-147LC    | 73.18   | 87.93     |
| 8                                 | C105-236PC  | Impeller, 1-1/2 HP - Models MPEA6F-206L, MPE6E-206L, MPRA6F-206L, MPRA6YF-206L,            | 73.18   | 87.93     |
| 8                                 | C105-236PDA | Impeller, 2 HP - Models MPEA6G-207L, MPE6F-207L, MPEA6YG-207L, MPE6YF-207L, MPRA6G-207     | 73.18   | 87.93     |
| 8                                 | C105-236PEA | Impeller, 2-1/2 HP - Models MPEAA6G-208L, MPA6G-208L, MPEAA6YG-208L, MPE6G-208L            | 73.18   | 87.93     |
| 8A                                | 33455-1047  | Gasket, Models MPEA6G-207L, MPE6F-207L, MPEA6YG-207L, MPE6YF-207L, MPRA6G-207              | CALL    | CALL      |
| 8A                                | 33455-1047  | Gasket, Models MPEAA6G-208L, MPA6G-208L, MPEAA6YG-208L, MPE6G-208L                         | CALL    | CALL      |
| 8B                                | 37337-6080  | Impeller Lock Screw, Models MPEA6G-207L, MPE6F-207L, MPEA6YG-207L, MPE6YF-207L, MPRA6G-207 | 29.74   | 35.74     |
| 8B                                | 37337-6080  | Impeller, Models MPEAA6G-208L, MPA6G-208L, MPEAA6YG-208L, MPE6G-208L                       | 29.74   | 35.74     |

| Item | Part No.    | Description                                    | US List | Can. List |
|------|-------------|--|---------|-----------|
| 9    | C1-270PB    | Diffuser - 1/2 HP                              | 45.35   | 54.49     |
| 9    | C1-270PC    | Diffuser - 1 HP                                | 45.35   | 54.49     |
| 9    | C1-270P     | Diffuser - 1-1/2 HP                            | 45.35   | 54.49     |
| 9    | C1-270P     | Diffuser - 2 HP                                | 45.35   | 54.49     |
| 9    | C1-270P     | Diffuser - 2-1/2 HP                            | 45.35   | 54.49     |
| 10   | U9-374Z     | Diffuser O-Ring                                | 8.37    | 10.06     |
| 10   | 357098Z     | Diffuser O-Ring (Blue Coating)                 | 8.89    | 10.68     |
| 11   | C76-71P     | Tank and Trap Body (Only)                      | 421.52  | 506.50    |
| 12   | 17307-0111S | Lid and Locking Ring Assembly                  | 108.40  | 130.25    |
| 13   | 35505-1440Z | Trap Cover O-Ring                              | CALL    | CALL      |
| 14   | C8-58PZ     | Trap Basket                                    | 21.27   | 25.56     |
| 15A  | U178-920PZ  | Drain Plug                                     | 7.80    | 9.37      |
| 15B  | U30-919SS   | Mounting Screw 5/16-14 x 5/8 in.               | 6.74    | 8.10      |
| 16   | C4-77P      | Base - Plastic                                 | 76.64   | 92.09     |
| 17   | C35-45      | Motor Pad - for Plastic Base                   | 6.97    | 8.38      |
| 18   | U30-542SSZ  | Screw #8-32 x 7/8 in. Rd. Hd.                  | CALL    | CALL      |
| 19   | U43-21SS    | Lock Washer #8 Ext. Tooth.                     | 2.65    | 3.18      |
| 20   | U43-62SS    | Flat Washer 3/8 in.                            | 2.65    | 3.18      |
| 21   | U43-12SS    | Lock Washer 3/8 in.                            | 4.14    | 4.97      |
| 22   | 071403      | Nut 3/8-16 Hex                                 | CALL    | CALL      |
| 23   | U30-75SS    | Cap Screws 3/8-16 x 1-1/4 in. Hex. (LS Suffix) | 4.28    | 5.14      |
| 24   | U30-74SS    | Cap Screws 3/8-16 x 1 in. Hex.                 | 6.76    | 8.12      |

**Note: Pumps and replacement motors that are single speed and one (1) Total HP or greater cannot be sold, offered for sale, or installed in a residential pool for filtration use in California, Title 20 CCR sections 1601-1609.**

# OPTIFLO® PUMP

## PENTAIR AND STA-RITE REPLACEMENT PARTS



CALIFORNIA PROPOSITION 65 WARNING  
 ⚠️ WARNING: Cancer and Reproductive Harm.  
 ⚠️ AVERTISSEMENT: Peut Causer le Cancer et des Dommages au Système Reproducteur.  
 ⚠️ ADVERTENCIA: Cáncer y Daño Reproductivo.  
[www.p65warnings.ca.gov](http://www.p65warnings.ca.gov) PH.001714

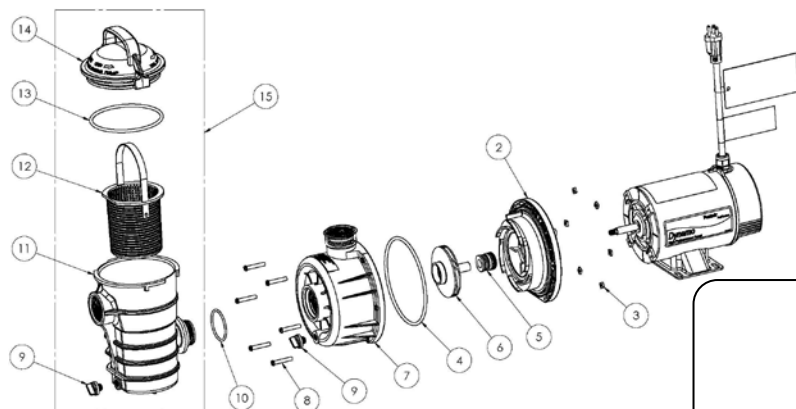
| Item                 | Part No. | Description                  | US List | Can. List |
|----------------------|----------|------------------------------|---------|-----------|
| <b>OPTIFLO PUMPS</b> |          |                              |         |           |
| 1                    | 357161Z  | Drain plug                   | 7.80    | 9.37      |
| 2                    | 354545S  | Mechanical seal              | 44.23   | 53.15     |
| 3                    | 350017   | Impeller, 1 HP               | 93.27   | 112.07    |
| 3                    | 354552   | Impeller, 3/4 HP             | 45.56   | 54.74     |
| 3                    | 350018   | Impeller, 1-1/2 HP           | 98.85   | 118.78    |
| 4                    | 192115Z  | O-ring                       | 3.90    | 4.69      |
| 5                    | 357213   | Volute <sup>1</sup>          | 42.52   | 51.09     |
| 6                    | 357255Z  | O-ring 2-357                 | 8.53    | 10.25     |
| 7                    | 357227   | Lid                          | 18.45   | 22.17     |
| 7                    | 357323   | Chemical Resistant Lid       | CALL    | CALL      |
| 8                    | 357228Z  | Pot <sup>1</sup>             | CALL    | CALL      |
| 9                    | 357239   | Clamp ring                   | 22.32   | 26.82     |
| 10                   | 357254   | 1/4-20 Square nut            | 2.18    | 2.62      |
| 11                   | 355667Z  | Basket                       | CALL    | CALL      |
| 12                   | 357215   | Seal plate                   | 52.77   | 63.41     |
| 13                   | 350103   | O-ring 2-130                 | 8.53    | 10.25     |
| 14                   | 98209000 | 1/4-20 x 1-1/2 Machine screw | 3.14    | 3.77      |
| <b>NOT SHOWN</b>     |          |                              |         |           |
|                      | 79137800 | 3 ft. cord - standard        | 99.42   | 119.46    |
|                      | 155234   | 3 ft. cord - TW              | 119.97  | 144.16    |

<sup>1</sup> Includes drain plugs.

**Note: Pumps and replacement motors that are single speed and one (1) Total HP or greater cannot be sold, offered for sale, or installed in a residential pool for filtration use in California, Title 20 CCR sections 1601-1609.**

# DYNAMO® PUMP

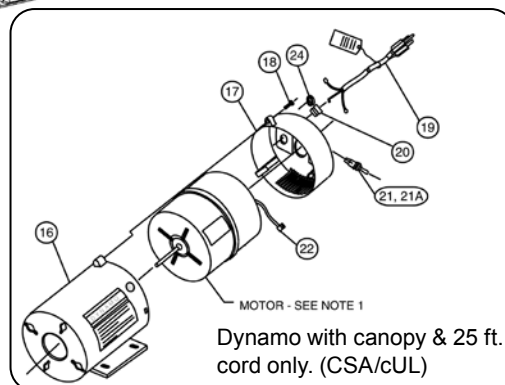
## PENTAIR AND STA-RITE REPLACEMENT PARTS



**CALIFORNIA PROPOSITION 65 WARNING**

**⚠ WARNING: Cancer and Reproductive Harm.**  
**⚠ AVERTISSEMENT: Peut Causer le Cancer et des Dommages au Système Reproducteur.**  
**⚠ ADVERTENCIA: Cáncer y Daño Reproductivo.**

www.p65warnings.ca.gov. P81201714



| Item                | Part No.   | Description                                | US List | Can. List |
|---------------------|------------|--|---------|-----------|
| <b>DYNAMO PUMPS</b> |            |  |         |           |
| <b>MOTORS</b>       |            |  |         |           |
| 2                   | 354632     | Diffuser, 3/4 HP bracket                   | 160.58  | 192.95    |
| 2                   | 354633     | Diffuser, 1, 1-1/2 HP bracket              | 160.58  | 192.95    |
| 3                   | 354542     | Nut, 10-24 SS, 6 req.                      | 2.38    | 2.86      |
| 4                   | 354634     | O-ring, 3/16 in. bracket diffuser          | 12.46   | 14.97     |
| 5                   | 354545S    | Seal, 5/8 in. mechanical                   | 44.23   | 53.15     |
| 6                   | 353002     | Impeller, 1/2 HP                           | 55.99   | 67.28     |
| 6                   | 354552     | Impeller, 3/4 HP                           | 45.56   | 54.74     |
| 6                   | 355122     | Impeller, 1 HP                             | 52.86   | 63.52     |
| 7                   | 354630     | Housing, body                              | 178.13  | 214.04    |
| 8                   | 354541     | Screw, 10-24-1-1/2 in. slotted hex, 6 req. | 3.31    | 3.98      |
| 9                   | U178-920PZ | Drain plug assy. - 2 req.                  | 7.80    | 9.37      |
| 10                  | 273062Z    | O-ring                                     | CALL    | CALL      |
| 11                  | 354530Z    | Pot  | CALL    | CALL      |
| 12                  | 354548Z    | Basket w/ handle                           | CALL    | CALL      |
| 13                  | 354533Z    | O-ring, lid                                | CALL    | CALL      |
| 14                  | 354531     | Lid, universal                             | 88.15   | 105.92    |
| 14                  | 354113     | Chemical Resistant Lid                     | 88.15   | 105.92    |
| 15                  | 354103     | Pot assembly                               | 350.58  | 421.26    |

| Item   | Part No. | Description                                 | US List | Can. List |
|--|----------|---|---------|-----------|
| <b>DYNAMO WITH CANOPY AND 25 FT. CORD ONLY (CSA/cUL)</b> |          |   |         |           |
| 16   | 354621   | Body, motor enclosure                       | 76.02   | 91.35     |
| 17   | 354881   | Cap, motor enclosure (on/off)               | 98.89   | 118.83    |
| 17   | 354882   | Cap, motor enclosure (two-speed)            | 98.89   | 118.83    |
| 18   | 154716   | Screw, No.10 self tapping                   | 1.14    | 1.37      |
| 19   | 155371   | Cord, 25 ft.                                | 119.62  | 143.74    |
| 20   | 41412700 | Bushing connector                           | 16.56   | 19.90     |
| 21   | 155187   | Switch, on/off toggle (CSA)                 | 33.89   | 40.72     |
| 21A  | 356546   | Switch, three position toggle (Hi/Low/Off)  | 86.40   | 103.82    |
| 22   | 155193   | Wire, 6 in. jumper                          | 9.97    | 11.98     |
| 24   | 350024   | Locknut, steel 1-1/2 in.                    | 1.37    | 1.65      |
| <b>NOT SHOWN</b>   |          |   |         |           |
|  | 352256   | Nut, 1-1/2 in. quick connect, 2 req.        | 15.44   | 18.55     |
|  | 354571Z  | O-ring, 2 req.                              | CALL    | CALL      |
|  | 79137800 | 3 ft. cord standard assembly                | 99.42   | 119.46    |
|  | 352245   | Strain relief bushing for cords             | 6.54    | 7.86      |
|  | 350444   | Canopy switch assembly, on/off <sup>1</sup> | 73.69   | 88.55     |
|  | 350481   | Canopy with on-off switch <sup>2</sup>      | CALL    | CALL      |
|  | 155380Z  | Base CSA 4 in.                              | 129.24  | 155.29    |
|  | 155234   | 3 ft. cord TW                               | 119.97  | 144.16    |
|  | 79137800 | 3 ft. cord-standard                         | 99.42   | 119.46    |

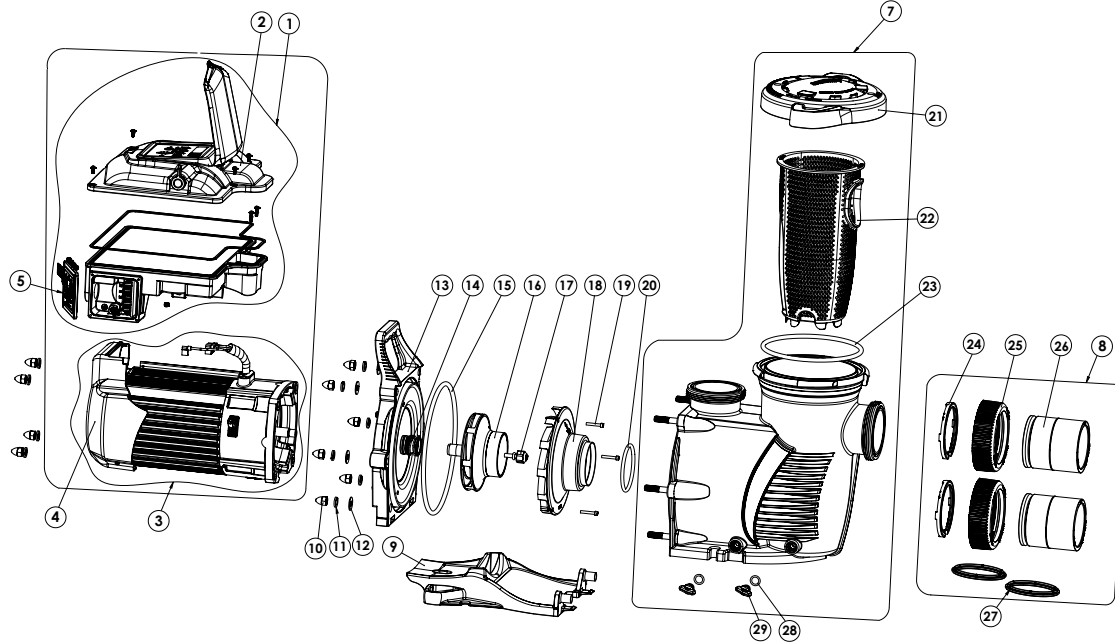
<sup>1</sup> Pumps manufactured before 4/13.

<sup>2</sup> Pumps manufactured after 4/13.

**Note: Pumps and replacement motors that are single speed and one (1) Total HP or greater cannot be sold, offered for sale, or installed in a residential pool for filtration use in California, Title 20 CCR sections 1601-1609.**

# WHISPERFLOXF® VS PUMP / MAX-E-PROXF® VS PUMP

## REPLACEMENT PARTS



| Item   | Part No.    | Description   | US List | Can. List |
|--|-------------|---|---------|-----------|
| <b>WHISPERFLOXF VS PUMP /MAX-E-PROXF VS PUMP</b> |             |   |         |           |
| 1  | 358085      | WhisperFloXF VS Drive Kit (includes drive, top cover, keypad cover and field wiring cover/screws) | 3407.39 | 4094.32   |
| 1  | 358086      | Max-E-ProXF VS Drive Kit (includes drive, top cover, keypad cover and field wiring cover/screws)  | 3407.39 | 4094.32   |
| 2  | 358093      | WhisperFloXF VS Top Cover Kit w/Screws  | 774.95  | 931.18    |
| 2  | 358094      | Max-E-ProXF VS Top Cover Kit w/Screws   | 774.95  | 931.18    |
| 3  | 358089      | WhisperFloXF VS Motor w/Fan Shroud  | 2180.72 | 2620.35   |
| 3  | 358090      | Max-E-ProXF VS Motor w/Fan Shroud   | 2180.72 | 2620.35   |
| 4  | 358095      | WhisperFloXF VS Fan Shroud w/Screws   | 167.44  | 201.20    |
| 4  | 358096      | Max-E-ProXF VS Fan Shroud w/Screws  | 167.44  | 201.20    |
| 5  | 358091      | WhisperFloXF VS Field Wiring Cover w/Screws   | 97.35   | 116.98    |
| 5  | 358092      | Max-E-ProXF VS Field Wiring Cover w/Screws  | 97.35   | 116.98    |
| 7  | 400000      | WhisperFloXF VS Wet End Assembly  | 485.54  | 583.42    |
| 7  | 401000      | Max-E-ProXF VS Wet End Assembly   | 485.54  | 583.42    |
| 8  | 410020      | Union Kit   | 221.19  | 265.78    |
| 9  | 400004Z     | WhisperFloXF VS Motor Base  | 59.26   | 71.21     |
| 9  | 401004Z     | Max-E-ProXF VS Motor Base   | 59.26   | 71.21     |
| 10   | 071413      | Acorn Nut (Qty. 10)   | 1.87    | 2.25      |
| 11   | U43-12SS    | Lock Washer (Qty. 10)   | 4.14    | 4.97      |
| 12   | 072184      | Flat Washer (Qty. 6)  | 2.38    | 2.86      |
| 13   | 400002      | WhisperFloXF VS Seal Plate  | 320.90  | 385.59    |
| 13   | 401002      | Max-E-ProXF VS Seal Plate   | 320.90  | 385.59    |
| 14   | 17351-0101S | Mechanical Seal   | 40.29   | 48.41     |
| 15   | 351446Z     | Seal Plate O-Ring   | CALL    | CALL      |

| Item             | Part No.      | Description  | US List | Can. List |
|------------------|---------------|--|---------|-----------|
| 16               | 400023Z       | Impeller Assembly  | 210.59  | 253.04    |
| 17               | 072172        | Impeller Screw Washer (Applicable after 10/7/2019 only)    | 0.38    | 0.46      |
| 17               | 37337-6080    | Impeller Screw, Plastic-Head (pumps mfg. before 10/7/2019) | 29.74   | 35.74     |
| 17               | 356073        | Impeller Screw, Metal-Head (pumps mfg. after 10/7/2019)    | 11.64   | 13.99     |
| 18               | 400011        | Diffuser   | CALL    | CALL      |
| 19               | 353323        | Diffuser Screws  | 5.06    | 6.08      |
| 20               | 350336Z       | Diffuser O-Ring  | CALL    | CALL      |
| 21               | 400006        | WhisperFloXF VS Lid/Locking Ring Assembly                  | 85.44   | 102.66    |
| 21               | 401006        | Max-E-ProXF VS Lid/Locking Ring Assembly                   | 85.44   | 102.66    |
| 22               | 400007Z       | Strainer Basket  | 53.43   | 64.20     |
| 23               | 35505-1440Z   | Lid/Locking Ring O-Ring                                    | CALL    | CALL      |
| 24               | 410001        | 2.5 in. C-Clip Locking Ring (Qty. 2)                       | 10.83   | 13.01     |
| 25               | 411000        | 2.5 in. Union Nut (Qty. 2)                                 | 29.72   | 35.71     |
| 26               | 410002        | 2.5 in. Union Adapter w/o Tap (Qty. 2)                     | 51.26   | 61.59     |
| 27               | 410016Z       | 2.5 in. Diamond Seal Kit (Qty. 2)                          | 18.28   | 21.97     |
| 28               | 192115Z       | Drain Plug O-Ring (Qty. 2)                                 | 3.90    | 4.69      |
| 29               | 071131Z       | WhisperFloXF VS Drain Plug (2 req.)                        | 9.51    | 11.43     |
| 29               | 357161Z       | Max-E-ProXF VS Drain Plug (Qty. 2)                         | 7.80    | 9.37      |
| <b>NOT SHOWN</b> |               |  |         |           |
|                  | 356324Z       | External Control Wiring Kit                                | 116.13  | 139.54    |
|                  | 97014-4203KIT | 3-inch Flowmeter Kit                                       | CALL    | CALL      |
|                  | 400030Z       | Seal Plate Hardware and O-Ring Kit*                        | 97.10   | 116.68    |
|                  | 400012        | Riser Plate, XF to Challenger                              | 102.52  | 123.19    |

\*NOTE: HARDWARE AND O-RING KIT INCLUDES ITEM NO. 9-11 AND 14.

Product on pages 252–255.

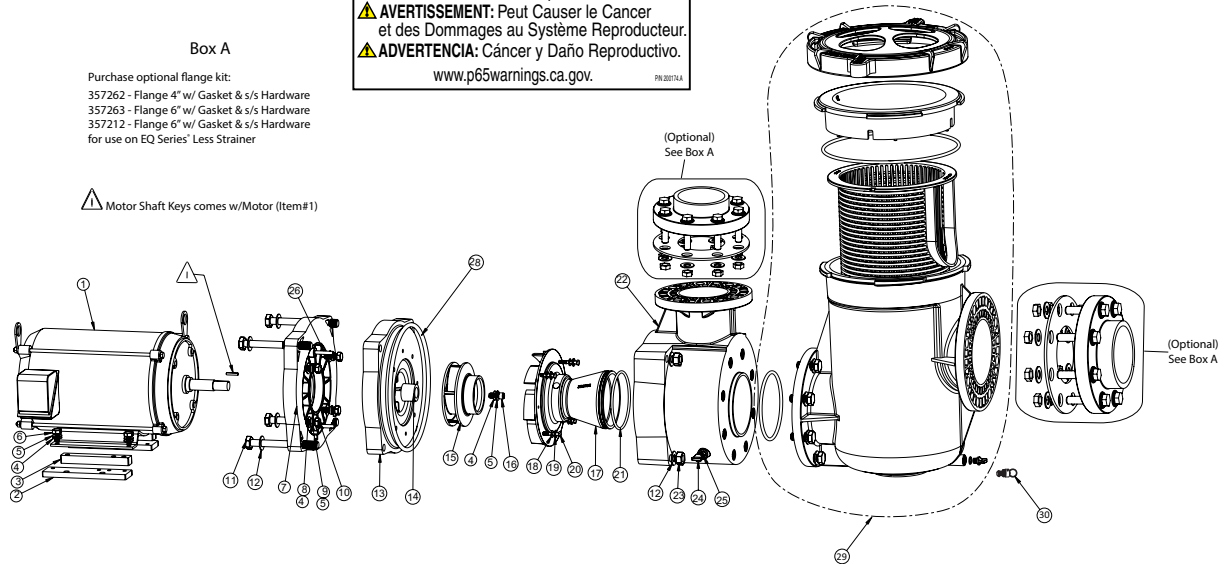
# EQ SERIES® COMMERCIAL PLASTIC PUMP REPLACEMENT PARTS

CALIFORNIA PROPOSITION 65 WARNING  
 ⚠️ **WARNING:** Cancer and Reproductive Harm.  
 ⚠️ **AVERTISSEMENT:** Peut Causer le Cancer et des Dommages au Système Reproducteur.  
 ⚠️ **ADVERTENCIA:** Cáncer y Daño Reproductivo.  
[www.p65warnings.ca.gov](http://www.p65warnings.ca.gov) PH200714

**Box A**

Purchase optional flange kit:  
 357262 - Flange 4" w/ Gasket & s/s Hardware  
 357263 - Flange 6" w/ Gasket & s/s Hardware  
 357212 - Flange 6" w/ Gasket & s/s Hardware  
 for use on EQ Series' Less Strainer

⚠️ Motor Shaft Keys comes w/Motor (Item#1)



| Part No.       | Model No.              | HP    | Phase | Motor Support (Item No. 2) | Additional Motor Support (Item No. 3) | Motor No. (Item No. 1) | Impeller (Item No. 15) | Diffuser (Item No. 17) |
|----------------|------------------------|-------|-------|----------------------------|---------------------------------------|------------------------|------------------------|------------------------|
| 340019, 340030 | EQ500                  | 5     | 1     | 356713                     | 356712                                | 357065S                | 350030                 | 350032                 |
| 340020, 340031 | EQK500                 | 5     | 3     | 356713                     | 356712                                | 357068S                | 350030                 | 350032                 |
| 340604, 340608 | EQKT500                | 5     | 3     | 356713                     | 356712                                | 350731Z                | 350030                 | 350032                 |
| 340021, 340032 | EQ750                  | 7-1/2 | 1     | 356713                     | N/A                                   | 357066S                | 350029                 | 350033                 |
| 340022, 340033 | EQK750                 | 7-1/2 | 3     | 356713                     | 356712                                | 357069S                | 350029                 | 350033                 |
| 340605, 340609 | EQKT750                | 7-1/2 | 3     | 356713                     | N/A                                   | 350732Z                | 350029                 | 350033                 |
| 340237, 340238 | EQ1000                 | 10    | 1     | 356713                     | N/A                                   | 357063S                | 350028                 | 350033                 |
| 340023, 340034 | EQK1000                | 10    | 3     | 356713                     | N/A                                   | 357070S                | 350028                 | 350033                 |
| 340606, 340610 | EQKT1000               | 10    | 3     | 356713                     | N/A                                   | 350733Z                | 350028                 | 350033                 |
| 340024, 340035 | EQK1500                | 15    | 3     | 356713                     | N/A                                   | 357071S                | 350027                 | 356735                 |
| 340607, 340611 | EQKT1500               | 15    | 3     | 356713                     | N/A                                   | 350734Z                | 350027                 | 356735                 |
| 340045, 340047 | EQK1000 EXPL PF, 50 Hz | 10    | 3     | 356713                     | N/A                                   | 350112S                | 350027                 | 356735                 |
| 340046, 340048 | EQK750 EXPL PF, 50 Hz  | 7-1/2 | 3     | 356713                     | N/A                                   | 350113S                | 350028                 | 350033                 |
| 340049, 350083 | EQK1000, 50 Hz         | 10    | 3     | 356713                     | N/A                                   | 350153S                | 350027                 | 356735                 |
| 340080, 340084 | EQK750, 50 Hz          | 7-1/2 | 3     | 356713                     | N/A                                   | 350154S                | 350028                 | 350033                 |
| 340081, 340085 | EQK500, 50 Hz          | 5     | 3     | 356713                     | 356712                                | 350155S                | 350029                 | 350033                 |
| 340082, 340086 | EQK300, 50 Hz          | 3     | 3     | 356713                     | 356712                                | 350156S                | 350030                 | 350032                 |
| 340014, 340026 | EQW300                 | 3     | 1     | 356713                     | 356712                                | 357064S                | 350027                 | 356735                 |
| 340016, 340027 | EQWK300                | 3     | 3     | 356713                     | 356712                                | 357067S                | 350027                 | 356735                 |
| 340018, 340029 | EQWK500                | 5     | 3     | 356713                     | 356712                                | 350158S                | 350070                 | 357273                 |
| 340017, 340028 | EQW500                 | 5     | 1     | 356713                     | 356712                                | 350159S                | 350070                 | 357273                 |
| 340148, 340155 | EQK500 575V            | 5     | 3     | 356713                     | 356712                                | 355038S                | 350030                 | 350032                 |
| 340149, 340156 | EQK750 575V            | 7-1/2 | 3     | 356713                     | 356712                                | 355039S                | 350029                 | 350033                 |

Call for pricing on these items.



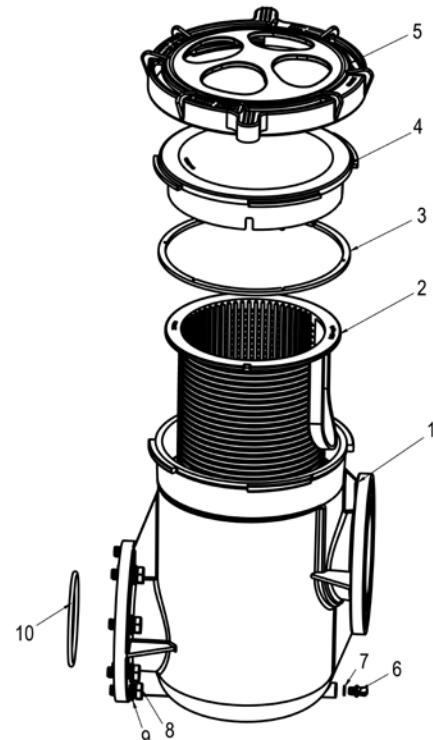
# EQ SERIES® COMMERCIAL PLASTIC PUMP

## REPLACEMENT PARTS

| Item                  | Part No. | Description  | US List | Can. List |
|-----------------------|----------|--|---------|-----------|
| <b>EQ SERIES PUMP</b> |          |  |         |           |
| 1                     |          | Motor - See Table on Prev Page   |         |           |
| 2                     |          | Support - Motor - See Table on Prev Page   |         |           |
| 3                     |          | Support Adapter - See Table on Prev Page   |         |           |
| 4                     | 072184   | Washer, Flat 3/8 in. ID x 7/8 in. OD .05 Thk 18-8 s/s - (qty.51 & qty.9)               | 2.38    | 2.86      |
| 5                     | 98220600 | Washer Split Lock 3/8 in. 18-8 s/s - (qty. 51 & qty. 9)                                | 2.38    | 2.86      |
| 6                     | A135     | Screw 3/8 in.-16 x 3/4 in. Hx Hd Cap 18-8 s/s (EQ750...1PH, EQ1000, EQ1500) - (qty. 4) | 19.16   | 23.02     |
| 6                     | 350073   | Screw 3/8 in.-16 x 1-1/2 Hx Hd Cap 18-8 s/s (EQ300, EQ500, EQ750...3PH) - (qty.4)      | 8.83    | 10.61     |
| 7                     | 356790   | Adapter - Motor - EQ Series  | 1585.86 | 1905.57   |
| 8                     | 075842   | Washer, Flat 1/2 in. ID x 1-1/4 in. OD .125 Thk 300 s/s - (qty. 4)                     | 2.38    | 2.86      |
| 9                     | 350063   | Washer Split Lock 1/2 in. 18-8 s/s - (qty.4)   | 11.32   | 13.60     |
| 10                    | U30-74SS | Screw 3/8 in.-16 x 1 in. Hx Hd Cap 18-8 s/s (EQ300, EQ500, EQ750...3PH) - (qty. 4)     | 6.76    | 8.12      |
| 10                    | 071687   | BLT 1/2-13 x 1.25 STL HH SS (qty. 4)   | 9.97    | 11.98     |
| 11                    | 356710   | Screw 5/8 in.-11 x 6-1/2 in. Hx Hd Cap 18-8 s/s - (qty. 4)                             | 216.56  | 260.22    |
| 12                    | 356789   | Washer, Flat 11/16 in. IDx1 - 5/16 in. OD .078 Thk 300 s/s (qty. 8)                    | 2.38    | 2.86      |
| 13                    | 356795   | Seal Plate - EQ Series   | 1874.20 | 2252.04   |
| 14                    | 071725S  | Seal Set   | 78.69   | 94.55     |
| 15                    |          | Impeller - See Table on Prev Page  |         |           |
| 16                    | 071037   | Screw 3/8 in.-16 x 1 in. Sckt. Hd Cap 18-8 s/s   | 10.22   | 12.28     |

| Item             | Part No. | Description   | US List  | Can. List |
|------------------|----------|---|----------|-----------|
| 17               |          | Diffuser - See Table on Prev Page   |          |           |
| 18               | 51008500 | Washer, Flat 1/4 in. 300 s/s - (qty. 4)   | 6.38     | 7.67      |
| 19               | 072172   | Washer Split Lock 1/4 in. 18-8 s/s - (qty. 4)                                     | 0.38     | 0.46      |
| 20               | 350035   | Screw 1/4 in.-20 x 1-1/2 in. Hx Hd Cap 18-8 s/s (EQ500, EQ750, EQ1000) - (qty. 4) | 8.45     | 10.15     |
| 20               | 356797   | Screw 1/4 in.-20 x 1-3/4 in. Hx Hd Cap 18-8 s/s (EQW300, EQ1500) - (qty. 4)       | 9.51     | 11.43     |
| 21               | 350037   | O-ing Diffuser 3/16 in. x 4-7/8 in.   | 29.36    | 35.28     |
| 22               | 356755   | Housing - EQ Series   | 5639.70  | 6776.66   |
| 23               | 356776   | Nut 5/8 in.-11 Hx Brass - (qty. 5)  | 27.69    | 33.27     |
| 24               | 357161Z  | Drain Plug  | 7.80     | 9.37      |
| 25               | 192115Z  | O-ring Drain Plug   | 3.90     | 4.69      |
| 26               | 350060   | Pin Dowel 5/16 in. x 1-3/4 in. 18-8 s/s - (qty. 2)                                | 40.62    | 48.81     |
| 28               | 356780   | O-ring Seal Plate 3/8 in. x 11 in. dia.   | 87.32    | 104.92    |
| 29               | 340013   | Strainer Pot Assy Complete EQ 6 in. x 6 in.                                       | 2459.18  | 2954.95   |
| 30               | 350087   | Pressure Relief Valve   | 108.74   | 130.66    |
| <b>NOT SHOWN</b> |          |   |          |           |
|                  | 351137S  | EQ Alignment Tool Seal Plate to Motor   | 404.63   | 486.20    |
|                  | 354825   | Hardware Kit for 7.5 HP ODP to TEFC Motor Conversion                              | 83.05    | 99.79     |
|                  | 355930   | 5HP 3-phase TEFC power end  | 7316.28  | 8791.24   |
|                  | 355931   | 7-1/2HP 3-phase TEFC power end  | 8130.94  | 9770.14   |
|                  | 355932   | 10HP 3-phase TEFC power end   | 9256.27  | 11122.33  |
|                  | 355933   | 15HP 3-phase TEFC power end   | 10686.73 | 12841.17  |

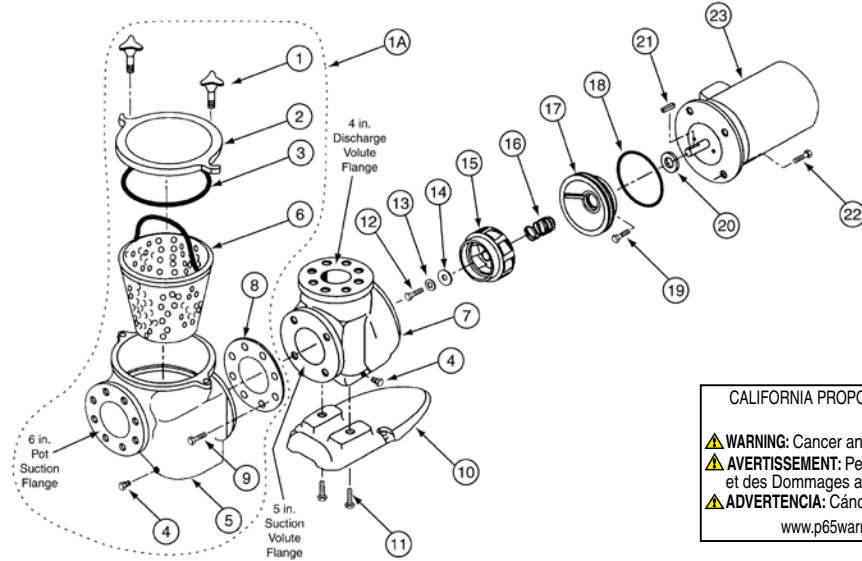
| Item                                      | Part No. | Description   | US List | Can. List |
|---|----------|---|---------|-----------|
| <b>EQ SERIES HAIR &amp; LINT STRAINER</b> |          |   |         |           |
| 1   | 356725   | Pot EQ strainer   | 1911.34 | 2296.67   |
| 2   | 357184   | Basket EQ strainer  | 351.55  | 422.42    |
| 3   | 350166   | Gasket, EQ lid  | 35.42   | 42.56     |
| 4   | 356750   | Lid EQ clear  | 796.66  | 957.27    |
| 5   | 350171   | Clamp Cam & Ramp™ EQ (No Lid)                                       | 1100.80 | 1322.72   |
| 6   | 357161Z  | Drain Plug  | 7.80    | 9.37      |
| 7   | 192115Z  | O-ring drain plug   | 3.90    | 4.69      |
| 8   | 356788   | Screw, 5/8 in., 11 x 1-3/4 in. hx hd cap 18-8 SS (qty. 8)           | 17.46   | 20.98     |
| 9   | 356789   | Washer, flat 11/16 in. ID x 1-5/16 in. OD 0.078 thk 300 SS (qty. 8) | 2.38    | 2.86      |
| 10  | 350013Z  | O-ring pot flange   | 5.83    | 7.01      |
| <b>NOT SHOWN</b>                          |          |   |         |           |
|   | 350087   | Pressure relief valve, 1/4 in. NPT                                  | 108.74  | 130.66    |



CALIFORNIA PROPOSITION 65 WARNING  
 ⚠️ **WARNING:** Cancer and Reproductive Harm.  
 ⚠️ **AVERTISSEMENT:** Peut Causer le Cancer et des Dommages au Système Reproducteur.  
 ⚠️ **ADVERTENCIA:** Cáncer y Daño Reproductivo.  
[www.p65warnings.ca.gov](http://www.p65warnings.ca.gov) PHS 201214

# C SERIES® HIGH PERFORMANCE COMMERCIAL PUMP

## REPLACEMENT PARTS



CALIFORNIA PROPOSITION 65 WARNING  
 ⚠️ **WARNING:** Cancer and Reproductive Harm.  
 ⚠️ **AVERTISSEMENT:** Peut Causer le Cancer et des Dommages au Système Reproducteur.  
 ⚠️ **ADVERTENCIA:** Cáncer y Daño Reproductivo.  
 www.p65warnings.ca.gov. P652017A

| Item                  | Part No. | Ref. No.    | Description   | US List | Can. List |
|-----------------------|----------|-------------|---|---------|-----------|
| <b>C SERIES PUMPS</b> |          |             |   |         |           |
| 1                     | 075280   | 54475280618 | Hand nut assembly, bronze, 2 req.                           | 218.97  | 263.11    |
| 1A                    | 072747   |             | C series pot assembly <sup>1</sup>                          | 9931.95 | 11934.23  |
| 2                     | 075275   | 26075275219 | Cover, C16, bronze  | 1588.26 | 1908.45   |
| 3                     | 071433   | 3640525457  | O-ring, C-18  | 15.03   | 18.06     |
| 4                     | 071551   | 6000002190  | Plug pipe, 1/4 in. bronze, 1 req.                           | 8.90    | 10.69     |
| 5                     | 075271Z  | 79675271199 | Pot mach. bronze  | 7524.31 | 9041.21   |
| 6                     | 072795   | 70472795100 | Basket, C-29 SS 11 in.                                      | 747.24  | 897.88    |
| 7                     | 075273Z  | 18075273199 | Volute, C-2 bronze  | 7422.75 | 8919.18   |
| 8                     | 070943   | 36470943603 | Gasket flange, P-135, 5 in.                                 | 46.03   | 55.31     |
| 9                     | 071683   | 1680634104  | Screw, 3/4-10, 1-3/4, SS, 4 req.                            | 57.46   | 69.04     |
| 10                    | 075287   | 82075287632 | Foot, C-4 coated  | 165.42  | 198.77    |
| 11                    | 071688   | 1680558359  | Screw, 5/8, 11 x 1 stl. hh., 2 req.                         | 3.03    | 3.64      |
| 12                    | 071037   | 1680115104  | Impeller, C-35 lock screw                                   | 10.22   | 12.28     |
| 13                    | 071048   | 90871048212 | Impeller, washer, C-71                                      | 23.07   | 27.72     |
| 14                    | 075713Z  | 3642034603  | Impeller, washer gasket                                     | CALL    | CALL      |
| 15                    | 073828   | 44473328208 | Impeller, CH-50/CHK-50/CHKL-50, 5HP, 1PH, 3PH, high hd.     | 2451.12 | 2945.27   |
| 15                    | 070228   | 44470228208 | Impeller, CM-50/CMK-50/CMKL-50, 5HP, 1PH, 3PH, med. hd.     | 2451.12 | 2945.27   |
| 15                    | 073829   | 44473829208 | Impeller, CH-75/CHK-75/CHKL-75, 7.5HP, 1PH, 3PH, high hd.   | 2451.12 | 2945.27   |
| 15                    | 070227   | 44470227208 | Impeller, CM-75/CMK-75/CMKL-75, 7.5HP, 1PH, 3PH, med. hd.   | 2451.12 | 2945.27   |
| 15                    | 073830   | 44473830208 | Impeller, CH-100/CHK-100/CHKL-100, 10HP, 1PH, 3PH, high hd. | 2451.12 | 2945.27   |

| Item                   | Part No. | Ref. No.     | Description  | US List | Can. List |
|------------------------|----------|--------------|--|---------|-----------|
| 15                     | 070226   | 44470226208  | Impeller, CM-100/CMK-100/CMKL-100, 10HP, 1PH, 3PH, med hd. | 2451.12 | 2945.27   |
| 15                     | 073831   | 44473831208  | Impeller, CHK-150/CHKL-150, 15HP, 3PH, high hd.            | 2451.12 | 2945.27   |
| 15                     | 070225   | 44470225208  | Impeller, CMK-150/CMKL-150, 15HP, 3PH, med hd.             | 2451.12 | 2945.27   |
| 15                     | 073832   | 44473832208  | Impeller, CHK-200/CHKL-200, 20HP, 3PH, high hd.            | 2451.12 | 2945.27   |
| 16                     | 071725S  | 71271725753  | Seal, C-7, PS-360  | 78.69   | 94.55     |
| 17                     | 070906   | 11670906199  | Flange, mach., C-52 brass                                  | 1067.54 | 1282.76   |
| 18                     | 071423   | 3640508457   | O-ring, C-70   | 5.95    | 7.15      |
| 19                     | 071681   | 1680378104   | Screw, 3/8, 16 x 7/8 in. CS hh., 2 req.                    | CALL    | CALL      |
| 20                     | 072185   | 7641043478   | Water slinger, C-115                                       | 15.85   | 19.05     |
| 21                     | 071046   | 4720201104   | Impeller, key, 3/16 in.                                    | 40.15   | 48.24     |
| 22                     | 071687   | 1680155113   | Screw, 1/2, 13 x 1-1/4 stl. hh., 4 req.                    | 9.97    | 11.98     |
| <b>60 HERTZ MOTORS</b> |          |              |  |         |           |
| 23                     | 357205S  |              | Motor package, 5HP, 1PH, 200/208V                          | CALL    | CALL      |
| 23                     | 071366S  | 52571366999  | Motor package, 5HP, 1PH, 230V                              | CALL    | CALL      |
| 23                     | 357206S  |              | Motor package, 5HP, 3PH, 200/208V                          | CALL    | CALL      |
| 23                     | 071364S  | 52571364999  | Motor package, 5HP, 3PH, 208-220/440                       | CALL    | CALL      |
| 23                     | 357207S  |              | Motor package, 7-1/2 HP, 1PH, 200/208V                     | CALL    | CALL      |
| 23                     | 357204S  | 525357204999 | Motor package, 7-1/2 HP, 1PH, 230V                         | CALL    | CALL      |
| 23                     | 357208S  |              | Motor package, 7-1/2 HP, 3PH, 200/208V                     | CALL    | CALL      |
| 23                     | 071365S  | 52571365999  | Motor package, 7-1/2 HP, 3PH, 208-220/440V                 | CALL    | CALL      |

# C SERIES® HIGH PERFORMANCE PUMP (CONT'D)

## REPLACEMENT PARTS

| Item  | Part No. | Ref. No.    | Description                              | US List  | Can. List |
|---|----------|-------------|--|----------|-----------|
| <b>C SERIES PUMPS</b>                                     |          |             |  |          |           |
| <b>60 HERTZ MOTORS (Cont'd)</b>                           |          |             |  |          |           |
| 23  | 357247S  |             | Motor package, 7.5HP, 3PH, 575V          | CALL     | CALL      |
| 23  | 357209S  |             | Motor package, 10HP, 3PH, 200/208V       | CALL     | CALL      |
| 23  | 357249S  |             | Motor package, 10HP, 1PH, 230V           | CALL     | CALL      |
| 23  | 071363S  | 52571363999 | Motor package, 10HP, 3PH, 208-220/440V   | CALL     | CALL      |
| 23  | 357238S  |             | Motor package, 10HP, 3PH, 575V           | CALL     | CALL      |
| 23  | 357210S  |             | Motor, package 15HP, 3PH, 200/208V       | CALL     | CALL      |
| 23  | 071361S  | 52571361999 | Motor package, 15HP, 3PH, 208-220/440V   | CALL     | CALL      |
| 23  | 357245S  |             | Motor package, 15HP, 3PH, 575V           | CALL     | CALL      |
| 23  | 357211S  |             | Motor package, 20HP, 3PH, 200/208V       | CALL     | CALL      |
| 23  | 071362S  | 52571362999 | Motor package, 20HP, 3PH, 208-220/440V   | CALL     | CALL      |
| 23  | 357246S  |             | Motor, package 20HP, 3PH, 575V           | CALL     | CALL      |
| <b>50 HERTZ MOTORS</b>                                    |          |             |  |          |           |
| 23  | 072737S  | 52572737999 | Motor, 5HP, 3PH, 380/415V                | CALL     | CALL      |
| 23  | 072739S  | 52572739999 | Motor, 7.5HP, 3PH, 380/415V              | CALL     | CALL      |
| 23  | 072740S  | 52572740999 | Motor, 10HP, 3PH, 380/415V               | CALL     | CALL      |
| 23  | 072742S  | 52572742999 | Motor, 15HP, 3PH, 380/415V               | CALL     | CALL      |
| 23  | 072744S  | 52572744999 | Motor, 20HP, 3PH, 380/415V               | CALL     | CALL      |
| <b>Motor subassemblies include items No.12 -21 and 23</b> |          |             |  |          |           |
|   | 073260   | A073260     | Motor, sub assembly, CM-50               | CALL     | CALL      |
|   | 073262   | A073262     | Motor, sub assembly, CMK-50 <sup>2</sup> | CALL     | CALL      |
|   | 073264   | A073264     | Motor, sub assembly, CH-50               | CALL     | CALL      |
|   | 073265   | A073265     | Motor, sub assembly, CHK-50 <sup>2</sup> | CALL     | CALL      |
|   | 073263   | A073263     | Motor, sub assembly CMK-75 <sup>2</sup>  | CALL     | CALL      |
|   | 073266   | A073266     | Motor, sub assembly CHK-75 <sup>2</sup>  | CALL     | CALL      |
|   | 073680   | A073680     | Motor, sub assembly CMK-100 <sup>2</sup> | 14703.58 | 17667.82  |
|   | 073267   |             | Motor, sub assembly CHK-100 <sup>2</sup> | CALL     | CALL      |
|   | 073261   | A073261     | Motor, sub assembly CMK-150 <sup>2</sup> | CALL     | CALL      |
|   | 073268   | A073268     | Motor, sub assembly CHK-150 <sup>2</sup> | CALL     | CALL      |

| Item | Part No. | Ref. No. | Description                                       | US List | Can. List |
|------|----------|----------|---|---------|-----------|
|      | 073269   | A073269  | Motor, sub assembly CHK-200 <sup>2</sup>          | CALL    | CALL      |
|      | 357910   | A357910  | Motor, sub assembly CH-75, 1PH, 230V <sup>3</sup> | CALL    | CALL      |
|      | 357930   | A357930  | Motor, sub assembly CM-75, 1PH, 200V <sup>3</sup> | CALL    | CALL      |
|      | 357935   | A357935  | Motor, sub assembly CH-75, 1PH, 200V <sup>3</sup> | CALL    | CALL      |
|      | 357250   |          | Motor, sub assembly CH-100, 10HP, 1PH, 230V       | CALL    | CALL      |
|      | 357251   |          | Motor, sub assembly CM-100, 1PH, 230V             | CALL    | CALL      |
|      | 014700   | A014700  | Motor, sub assembly CMKL-50 380/415V <sup>4</sup> | CALL    | CALL      |
|      | 014801   | A014801  | Motor, sub assembly CHKL-50 380/415V <sup>4</sup> | CALL    | CALL      |
|      | 014701   | A014701  | Motor, sub assembly CMKL-75 380/415V <sup>4</sup> | CALL    | CALL      |
|      | 014802   | A014802  | Motor, sub assembly CHKL-75 380/415V <sup>4</sup> | CALL    | CALL      |
|      | 014702   | A014702  | Motor, sub assembly CMKL-100 <sup>4</sup>         | CALL    | CALL      |
|      | 014803   | A014803  | Motor, sub assembly CHKL-100 <sup>4</sup>         | CALL    | CALL      |
|      | 014703   | A014703  | Motor, sub assembly CMKL-150 <sup>4</sup>         | CALL    | CALL      |
|      | 014804   | A014804  | Motor, sub assembly CHKL-150 <sup>4</sup>         | CALL    | CALL      |
|      | 014805   | A014805  | Motor, sub assembly CHKL-200 <sup>4</sup>         | CALL    | CALL      |

<sup>1</sup> Includes: 2 of item No. 1, 1 each of items No. 2 thru No. 6, 1 of item No. 8 and 4 of item No. 9.

<sup>2</sup> All motor subassemblies are 60 Hertz 220/440V, 3 phase.

<sup>3</sup> All motor subassemblies are single phase 60 Hertz.

<sup>4</sup> All motor subassemblies are 50 Hertz 380/415V, 3 phase.

**Notes:**

- All bronze C-series parts will retrofit older cast iron models.
- Standard flange not included with pump.
- For all 200/208V applications, use 200/208V motors only.

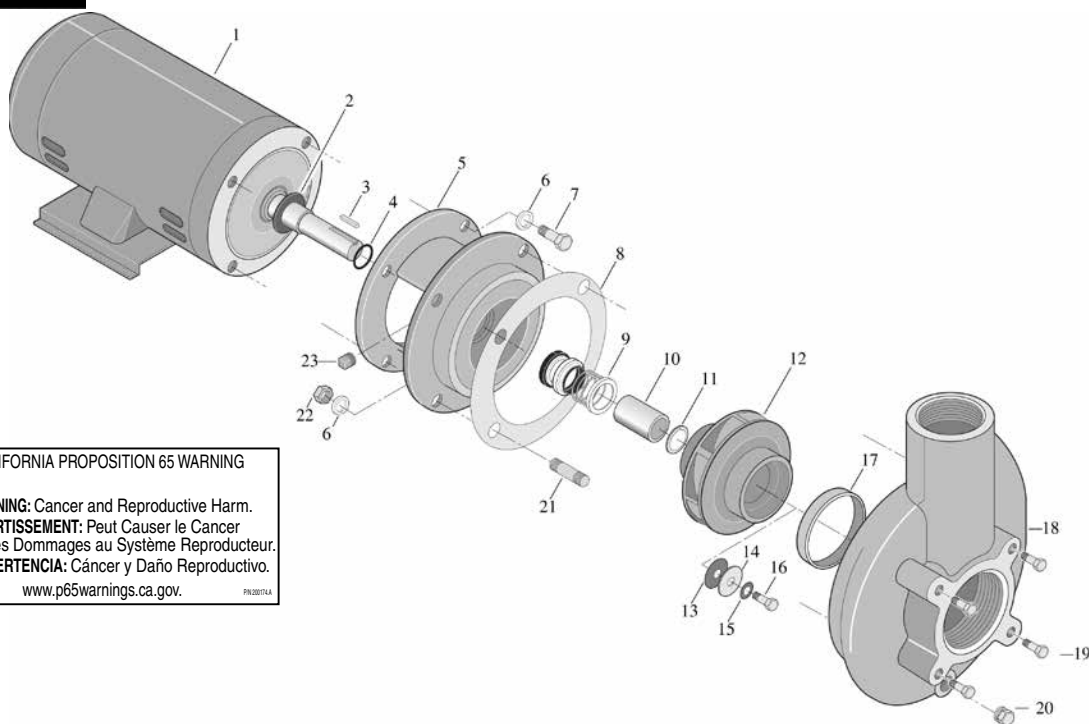
CALIFORNIA PROPOSITION 65 WARNING

▲ **WARNING:** Cancer and Reproductive Harm.  
▲ **AVERTISSEMENT:** Peut Causer le Cancer et des Dommages au Système Reproducteur.  
▲ **ADVERTENCIA:** Cáncer y Daño Reproductivo.

www.p65warnings.ca.gov. PH00014

# C/CC SERIES™ CENTRIFUGAL PUMP

## 3 HP MODEL REPLACEMENT PARTS



CALIFORNIA PROPOSITION 65 WARNING

⚠️ **WARNING:** Cancer and Reproductive Harm.  
 ⚠️ **AVERTISSEMENT:** Peut Causer le Cancer et des Dommages au Système Reproducteur.  
 ⚠️ **ADVERTENCIA:** Cáncer y Daño Reproductivo.  
[www.p65warnings.ca.gov](http://www.p65warnings.ca.gov) PA1207514

| Item   | Part No.   | Description   | US List | Can. List |
|--|------------|---|---------|-----------|
| <b>CENTRIFUGAL PUMP - C/CC SERIES - 3 HP</b> |            |   |         |           |
| 1  | C218-177   | Motor 230V/60H/1 Ph.  | CALL    | CALL      |
| 1  | C218-178   | Motor 200V/60H/3 Ph.  | CALL    | CALL      |
| 1  | C218-179   | Motor 230/460V/60H/3 Ph.  | CALL    | CALL      |
| 1  | C218-191   | Motor 200V/60H/1 Ph.  | CALL    | CALL      |
| 3  | U65-42A    | Key, Impeller   | 19.38   | 23.29     |
| 4  | U9-265     | O-Ring  | 3.93    | 4.72      |
| 5  | C2-81      | Adapter (Models: CCMH-136, CCM2H-136, CCM2H-136S, CCMH3-136S, CCM2H3-136, CCM2H3--136S, CCHH-137S, CCHH3-137S, CCH2H-137S, CCH2H3-137, CCH2H3-137S) | 358.88  | 431.23    |
| 5  | C2-81D     | Adapter (Models: CMH-136, CMH3-136, CM2H-136, CM2H3-136, CHH-137, CHH3-137, CH2H3-137)  | 1306.79 | 1570.24   |
| 6  | U43-12ZP   | Lockwasher, 3/8 in.   | CALL    | CALL      |
| 7  | U30-73ZP   | Capscrew, 3/8-16 x 7/8 in.  | CALL    | CALL      |
| 8  | C20-77     | Gasket  | CALL    | CALL      |
| 9  | U109-433SS | Shaft Seal (Replaces U109-220, effective 8/00)  | 206.28  | 247.87    |
| 10   | C23-58     | Shaft Sleeve  | 195.20  | 234.55    |
| 11   | C20-101    | Gasket, Sleeve  | 5.03    | 6.04      |
| 12   | C105-224DG | Impeller (Silicon Brass) (Models: CCMH-136, CCM2H-136, CCM2H-136S, CCMH3-136S, CCM2H3-136, CCM2H3-136S, CMH-136, CMH3-136, CM2H-136, CM2H3-136)     | 1187.83 | 1427.30   |
| 12   | C105-224DF | Impeller (Silicon Brass) (Models: CCHH-137S, CCHH3-137S, CCH2H-137S, CCH2H3-137, CCH2H3-137S, CHH-137, CHH3-137, CH2H3-137)                         | 1140.14 | 1369.99   |

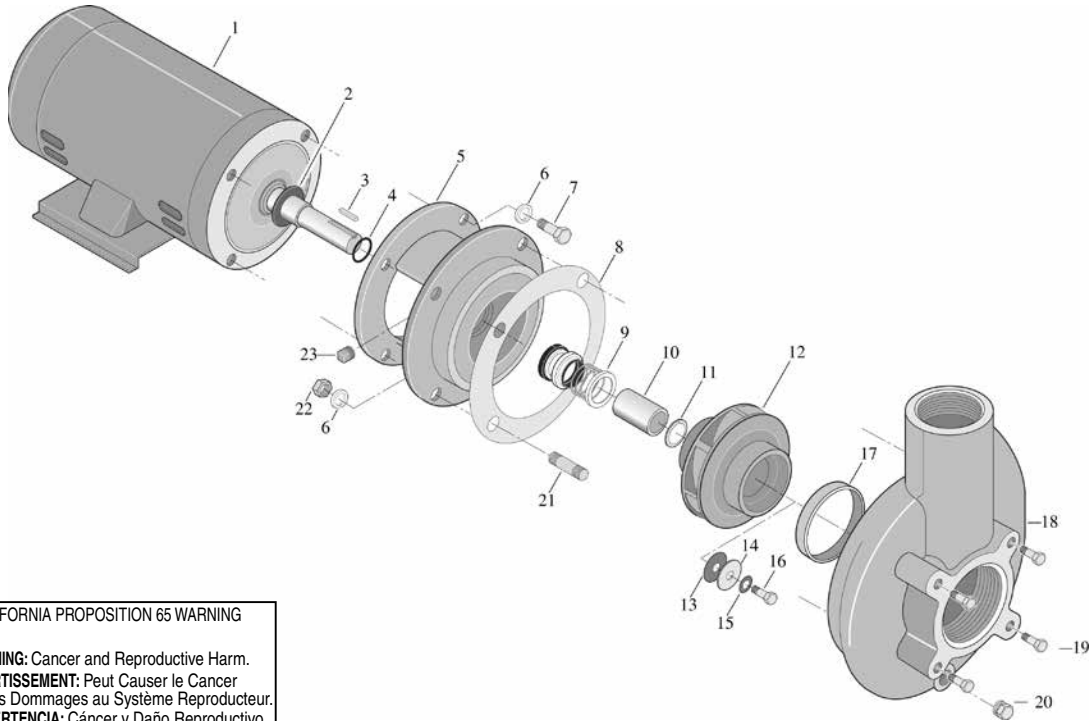
| Item | Part No.   | Description  | US List | Can. List |
|------|------------|--|---------|-----------|
| 13   | C20-100    | Gasket, Impeller   | 5.03    | 6.04      |
| 14   | C43-45SS   | Washer, Impeller   | 9.67    | 11.62     |
| 15   | C43-46     | Washer, Stat-O-Seal  | 8.60    | 10.33     |
| 16   | U30-72SS   | Screw, Impeller 3/8-16 x 3/4 in.   | 6.56    | 7.88      |
| 17   | C23-40     | Wear Ring Only   | CALL    | CALL      |
| 18   | C101-167   | Volute Assembly (Incl. 17 Only) (Models CCMH-136, CCM2H-136, CCM2H-136S, CCMH3-136S, CCM2H3-136S, CCHH-137S, CCHH3-137S, CCH2H-137S, CCH2H3-137, CCH2H3-137S)  | 725.31  | 871.53    |
| 18   | C101-167D  | Volute Assembly (Incl. 17 Only) (Models CMH-136, CMH3-136, CM2H-136, CM2H3-136, CHH-137, CHH3-137, CH2H3-137)  | 2227.58 | 2676.66   |
| 20   | U78-941ZPV | Pipe Plug, 1/4 in. NPT, Hex Head   | 2.49    | 2.99      |
| 21   | U30-22SS   | Stud, 3/8-16 x 1/16 in.  | CALL    | CALL      |
| 22   | U36-38ZP   | Nut, Hex 3/8 x 16 - (Models CCMH-136, CCM2H-136, CCM2H-136S, CCMH3-136S, CCM2H3-136, CCM2H3--136S, CCHH-137S, CCHH3-137S, CCH2H-137S, CCH2H3-137, CCH2H3-137S) | CALL    | CALL      |
| 23   | U78-57SSS  | Pipe Plug, 1/4 in. NPT   | CALL    | CALL      |

Note: Model numbers with a "3" in them indicate a 3-Phase motor. Model numbers with a "2" in them indicate a 200V motor.

Note: C Series with different hydraulic numbers (CCMH-93) are older models that use different parts. Consult factory for older models.

# C/CC SERIES™ CENTRIFUGAL PUMP

## 5 HP MODEL REPLACEMENT PARTS



CALIFORNIA PROPOSITION 65 WARNING  
 ⚠️ **WARNING:** Cancer and Reproductive Harm.  
 ⚠️ **AVERTISSEMENT:** Peut Causer le Cancer et des Dommages au Système Reproducteur.  
 ⚠️ **ADVERTENCIA:** Cáncer y Daño Reproductivo.  
[www.p65warnings.ca.gov](http://www.p65warnings.ca.gov) P830514

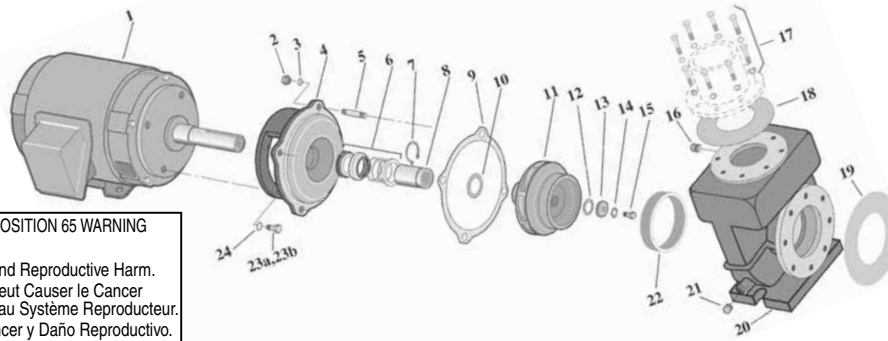
| Item                                       | Part No.   | Description   | US List | Can. List |
|--|------------|---|---------|-----------|
| <b>CENTRIFUGAL PUMP - C/CC SERIES 5 HP</b> |            |   |         |           |
| 1  | C218-180   | Motor 230V/60H/1 Ph.  | CALL    | CALL      |
| 1  | C218-182   | Motor 230/460V/60H/3 Ph.                                      | CALL    | CALL      |
| 1  | C218-181   | Motor 200V/60H/3 Ph.  | CALL    | CALL      |
| 3  | U65-42A    | Key, Impeller   | 19.38   | 23.29     |
| 4  | U9-265     | O-Ring  | 3.93    | 4.72      |
| 5  | C2-81      | Adapter (Models: CCHJ-138, CCHJ138S, CCHJ3-138S, CCH2J3-138S) | 358.88  | 431.23    |
| 5  | C2-81D     | Adapter (Models: CHJ-138, CH2J3-138, CH2J3-138)               | 1306.79 | 1570.24   |
| 6  | U43-12ZP   | Lockwasher, 3/8 in.   | CALL    | CALL      |
| 7  | U30-73ZP   | Capscrew, 3/8-16 x 7/8 in.                                    | CALL    | CALL      |
| 8  | C20-77     | Gasket  | CALL    | CALL      |
| 9  | U109-433SS | Shaft Seal  | 206.28  | 247.87    |
| 10   | C23-58     | Shaft Sleeve  | 195.20  | 234.55    |
| 11   | C20-101    | Gasket, Sleeve  | 5.03    | 6.04      |
| 12   | C105-224DE | Impeller (Silicon Brass)                                      | 1167.74 | 1403.16   |
| 13   | C20-100    | Gasket, Impeller  | 5.03    | 6.04      |
| 14   | C43-45SS   | Washer, Impeller  | 9.67    | 11.62     |
| 15   | C43-46     | Washer, Stat-O-Seal   | 8.60    | 10.33     |
| 16   | U30-72SS   | Screw, Impeller 3/8-16 x 3/4 in.                              | 6.56    | 7.88      |

| Item | Part No.   | Description   | US List | Can. List |
|------|------------|---|---------|-----------|
| 17   | C23-40     | Wear Ring Only  | CALL    | CALL      |
| 18   | C101-167   | Volute Assembly (Incl. 17 Only) (Models: CCHJ-138, CCHJ138S, CCHJ3-138S, CCH2J3-138S) | 725.31  | 871.53    |
| 18   | C101-167D  | Volute Assembly (Incl. 17 Only) (Models: CHJ-138, CH2J3-138, CH2J3-138)               | 2227.58 | 2676.66   |
| 20   | U78-941ZPV | Pipe Plug, 1/4 in. NPT, Hex Head  | 2.49    | 2.99      |
| 21   | U30-22SS   | Stud, 3/8 - 16 x 1-1/4 in.  | CALL    | CALL      |
| 22   | U36-38ZP   | Nut, Hex 3/8 x 16 in. (Models: CCHJ-138, CCHJ138S, CCHJ3-138S, CCH2J3-138S)           | CALL    | CALL      |
| 23   | U78-57SSS  | Pipe Plug, 1/4 in. NPT  | CALL    | CALL      |

Note: Model numbers with a "3" in them indicate a 3-Phase motor. Model numbers with a "2" in them indicate a 200V motor.

Note: C Series with different hydraulic numbers (CCMH-93) are older models that use different parts. Consult factory for older models.

# CSPH/CCSPH SERIES™ PUMP REPLACEMENT PARTS



**CALIFORNIA PROPOSITION 65 WARNING**  
**⚠️ WARNING:** Cancer and Reproductive Harm.  
**⚠️ AVERTISSEMENT:** Peut Causer le Cancer et des Dommages au Système Reproducteur.  
**⚠️ ADVERTENCIA:** Cáncer y Daño Reproductivo.  
[www.p65warnings.ca.gov](http://www.p65warnings.ca.gov)  
PK320714

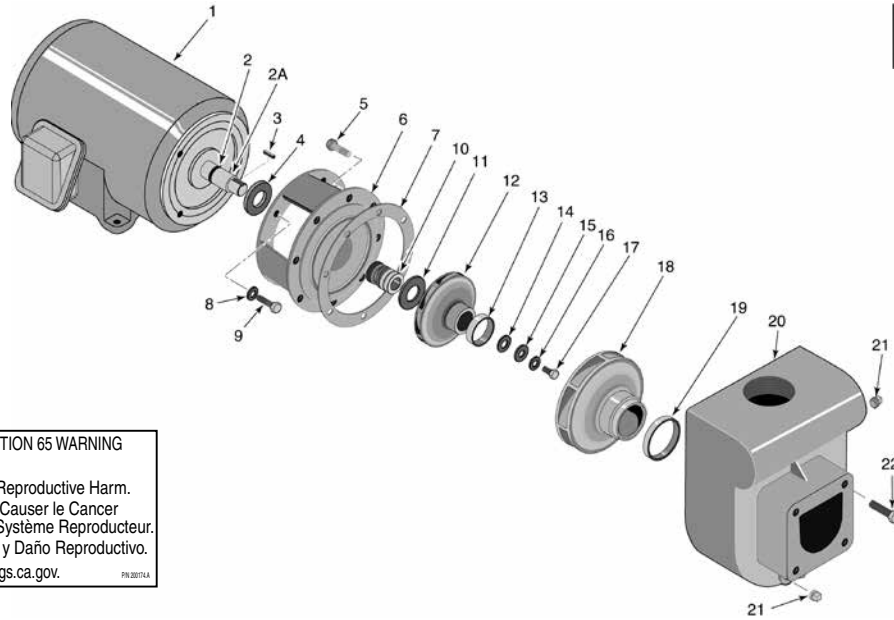
| Item  | Part No.   | Description   | US List | Can. List |
|---|------------|---|---------|-----------|
| <b>230 VOLT/1 PHASE OR 230/460 VOLT/3 PHASE</b> |            |   |         |           |
| 1   | S22351     | Motor 230V/1 Ph. - 7-1/2 HP (Models: CSPHK-1421, CCSPHK-1421, CSPHK3-1422, CCSPHK3-1422)                | CALL    | CALL      |
| 1   | 62500-0101 | Motor 230V/1 Ph. - 10 HP (Models: CSPHL-143, CCSPHL-143M, CSPHL3-1431, CCSPHL3-1431)                    | CALL    | CALL      |
| 1   | S22353     | Motor 230V/3 Ph. - 7-1/2 HP (Models: CSPHK-1421, CCSPHK-1421, CSPHK3-1422, CCSPHK3-1422)                | CALL    | CALL      |
| 1   | S22356     | Motor 230V/3 Ph. - 10 HP (Models: CSPHL-143, CCSPHL-143M, CSPHL3-1431, CCSPHL3-1431)                    | CALL    | CALL      |
| 1   | S22357     | Motor 230V/3 Ph. - 15 HP (Models: CSPHM3-1441, CCSPHM3-1441)  | CALL    | CALL      |
| 1   | S28574     | Motor 230V/3 Ph. - 20 HP (Models: CSPHN3-1451, CCSPHN3-1451)  | CALL    | CALL      |
| 1   | 16830-0320 | Motor 230V/3 Ph. 7-1/2 HP (Models: CSPH2K3-142, CCSPH2K3-142)   | CALL    | CALL      |
| 1   | 16831-0320 | Motor 200V/3 Ph. - 10 HP (Models: CSPH2L3-143, CCSPH2L3-143)  | CALL    | CALL      |
| 1   | 16832-0320 | Motor 200V/3 Ph. - 15 HP (Models: CSPH2M3-144, CCSPH2M3-144)  | CALL    | CALL      |
| 1   | 16833-0320 | Motor 200V/3 Ph. - 20 HP (Models: CSPH2N3-145, CCSPH2N3-145)  | CALL    | CALL      |
| 2   | S23488     | Nut, 1/2 in.  | 6.76    | 8.12      |
| 3   | U43-13SS   | Lockwasher, 1/2 in.   | CALL    | CALL      |
| 3   | U43-12SS   | Lockwasher, 3/8 in. <sup>2</sup>  | 4.14    | 4.97      |
| 4   | L05329     | Bracket - 7-1/2 HP (3 Ph. Models)   | 469.69  | 564.38    |
| 4   | L05328     | Bracket - 10 HP (CSPH, CSPH2 Models) - 15 HP (CSPH, CSPH2 Models) - 7-1/2 (CSPH, CSPH2 Models)          | 483.66  | 581.17    |
| 4   | L05779     | Bracket - 20 HP (CSPH, CSPH2 Models)  | 867.26  | 1042.10   |
| 4   | 16830-2201 | Bracket - 7-1/2 HP (3 Ph. Models)   | 2055.74 | 2470.18   |
| 4   | 16830-2203 | Bracket - 10 HP (CCSPH, CCSPH2 Models) - 15 HP (CCSPH, CCSPH2 Models) - 7-1/2 HP (CCSPH, CCSPH2 Models) | 2208.33 | 2653.53   |
| 4   | 16830-2202 | Bracket - 20 HP (CCSPH, CCSPH2 Models)  | 1610.28 | 1934.91   |
| 5   | 30747-0152 | Stud, 1/2-13 x 1-1/2 in.  | 45.35   | 54.49     |
| 6   | S32014     | Mechanical Shaft Seal   | 229.47  | 275.73    |
| 6   | S32015     | Mechanical Shaft Seal - 20 HP   | 494.78  | 594.53    |
| 7   | S11207     | Retaining Ring  | 30.31   | 36.42     |

| Item | Part No.    | Description  | US List  | Can. List |
|------|-------------|--|----------|-----------|
| 7    | S16767      | Retaining Ring - 20 HP (Models: CSPHN3-1451, CCSPHN3-1451)     | 67.38    | 80.96     |
| 8    | 37447-0001L | Shaft Sleeve   | CALL     | CALL      |
| 8    | 37447-0002L | Shaft Sleeve - 20 HP   | CALL     | CALL      |
| 9    | S04757      | Gasket (Volute to Bracket)                                     | 23.59    | 28.35     |
| 10   | 33455-8044  | Gasket (Impeller to Shaft Sleeve)                              | 11.24    | 13.51     |
| 10   | 33455-8046  | Gasket (Impeller to Shaft Sleeve) - 20 HP                      | 11.24    | 13.51     |
| 11   | 16830-0209  | Impeller - 7-1/2 HP  | 2268.99  | 2726.42   |
| 11   | 16830-0210  | Impeller - 10 HP   | 2045.78  | 2458.21   |
| 11   | 16830-0211  | Impeller - 15 HP   | 2337.80  | 2809.10   |
| 11   | 16830-0212  | Impeller - 20 HP   | 2807.63  | 3373.65   |
| 12   | 33455-8043  | Gasket (Impeller to Washer)                                    | 11.24    | 13.51     |
| 12   | 33455-8045  | Gasket (Impeller to Washer) - 20 HP                            | 11.24    | 13.51     |
| 13   | 38917-0203  | Impeller Washer  | 103.35   | 124.19    |
| 13   | 38917-0204  | Impeller Washer - 20 HP (Models: CSPHN3-1451, CCSPHN3-1451)    | 124.03   | 149.03    |
| 14   | C43-46SS    | Stat-O-Seal Washer   | 26.07    | 31.33     |
| 14   | C43-46SSA   | Stat-O-Seal Washer - 20 HP (Models: CSPHN3-1451, CCSPHN3-1451) | 33.19    | 39.88     |
| 15   | S23566      | Capscrew, 3/8-16 x 1 in. <sup>1</sup>                          | CALL     | CALL      |
| 15   | S23619      | Capscrew, 1/2-13 x 1 in. <sup>2</sup>                          | 10.80    | 12.98     |
| 16   | U78-57DT    | Pipe Plug 1/4 in. NPT  | CALL     | CALL      |
| 17   | 16830-0400  | Hardware Kit   | 117.95   | 141.73    |
| 18   | 33450-8042  | Gasket (Volute Discharge)                                      | 27.51    | 33.06     |
| 19   | 33450-8041  | Gasket (Volute Suction)  | 38.65    | 46.44     |
| 20   | 16830-0100  | Volute (CSPH, CSPH2)   | 5525.12  | 6638.98   |
| 20   | 16830-2102  | Volute (CCSPH) - 7-1/2 HP, 10 HP                               | 10047.34 | 12072.88  |
| 20   | 16830-2103  | Volute (CCSPH) - 15 HP, 20 HP <sup>1</sup>                     | 10115.02 | 12154.21  |
| 20   | 16830-0100  | Volute (CSPH2, CSPH2)  | 5525.12  | 6638.98   |
| 20   | 16830-2102  | Volute (CCSPH2) - 7-1/2 HP, 10 HP                              | 10047.34 | 12072.88  |
| 21   | U78-59D     | Drain Plug, 1/2 in. NPT  | 15.14    | 18.19     |
| 22   | 16830-0120  | Wear Ring  | 174.52   | 209.70    |
| 23A  | S23619      | Capscrew, 1/2-13 x 1 in. <sup>1</sup>                          | 10.80    | 12.98     |
| 23B  | S23566      | Capscrew, 3/8-16 x 1 in. <sup>2</sup>                          | CALL     | CALL      |
| 24   | U43-13SS    | Lockwasher, 1/2 in.  | CALL     | CALL      |

<sup>1</sup> 7-1/2 HP; 1 Phase only.

<sup>2</sup> 3 Phase only.

# D SERIES™ PUMP REPLACEMENT PARTS



CALIFORNIA PROPOSITION 65 WARNING  
 ⚠️ **WARNING:** Cancer and Reproductive Harm.  
 ⚠️ **AVERTISSEMENT:** Peut Causer le Cancer et des Dommages au Système Reproducteur.  
 ⚠️ **ADVERTENCIA:** Cáncer y Daño Reproductivo.  
 www.p65warnings.ca.gov. P8 201714

| Item  | Part No.   | Description  | US List | Can. List |
|---|------------|--|---------|-----------|
| <b>SELF PRIMING CENTRIFUGAL PUMP - D SERIES</b> |            |  |         |           |
| 1   | C218-177   | Motor 230V/60H/1 Ph. DMH<br>Medium Head: 3 HP, High Head: 3 HP     | CALL    | CALL      |
| 1   | C218-180   | Motor 230V/60H/1 Ph. DMJ<br>Medium Head: 5 HP, High Head: 5 HP     | CALL    | CALL      |
| 1   | C218-179   | Motor 230/460V/60H/3 Ph. DMH<br>Medium Head: 3 HP, High Head: 3 HP | CALL    | CALL      |
| 1   | C218-182   | Motor 230/460V/60H/3 Ph. DMJ<br>Medium Head: 5 HP, High Head: 5 HP | CALL    | CALL      |
| 1   | C218-191   | Motor 200V/60H/1 Ph. DMH<br>Medium Head: 3 HP, High Head: 3 HP     | CALL    | CALL      |
| 1   | C218-192   | Motor 200V/60H/1 Ph. DMJ<br>Medium Head: 5 HP, High Head: 5 HP     | CALL    | CALL      |
| 1   | C218-178   | Motor 200V/60H/3 Ph. DMH<br>Medium Head: 3 HP, High Head: 3 HP     | CALL    | CALL      |
| 1   | C218-181   | Motor 200V/60H/3 Ph. DMJ<br>Medium Head: 5 HP, High Head: 5 HP     | CALL    | CALL      |
| 2   | U9-265     | O-Ring   | 3.93    | 4.72      |
| 2A  | C23-58     | Sleeve   | 195.20  | 234.55    |
| 3   | U65-42A    | Key, Square 3/16 x 3/16 x 7/8 in.                                  | 19.38   | 23.29     |
| 4   | N/A        |  | CALL    | CALL      |
| 5   | 071681     | Screw 3/8 x 16 x 7/8 in. HH  | CALL    | CALL      |
| 6   | C2-66      | Motor Adapter  | 466.48  | 560.52    |
| 7   | C20-46     | Gasket, Adapter  | 12.90   | 15.50     |
| 8   | U43-12ZP   | Lockwasher, 3/8 in. <sup>1</sup>                                   | CALL    | CALL      |
| 9   | U30-73ZP   | Capscrew, 3/8-16 x 7/8 in.   | CALL    | CALL      |
| 10  | U109-433SS | Shaft Seal <sup>3</sup>  | 206.28  | 247.87    |
| 11  | C20-101    | Gasket, Seal   | 5.03    | 6.04      |
| 12  | C5-246     | Impeller <sup>2</sup> - Medium Head: 3 HP                          | 1227.27 | 1474.69   |

| Item             | Part No.   | Description  | US List | Can. List |
|------------------|------------|--|---------|-----------|
| 12               | C5-247     | Impeller <sup>2</sup> - Medium Head: 5 HP                        | 1215.77 | 1460.87   |
| 12               | C5-248     | Impeller <sup>2</sup> - High Head: 3 HP                          | 1207.57 | 1451.02   |
| 12               | C5-249     | Impeller <sup>2</sup> - High Head: 5 HP                          | 1140.14 | 1369.99   |
| 13               | J23-5      | Wear Ring (Only)   | 46.13   | 55.43     |
| 13               | C23-14     | Wear Ring (Only) - Medium Head: 5 HP                             | 55.55   | 66.75     |
| 14               | C20-100    | Gasket   | 5.03    | 6.04      |
| 15               | C43-45SS   | Washer, Impeller   | 9.67    | 11.62     |
| 16               | C43-46     | Gasket   | 8.60    | 10.33     |
| 17               | U30-72SS   | Screw, Impeller 3/8-16 x 3/4 in. <sup>1</sup>                    | 6.56    | 7.88      |
| 18               | C101-126   | Volute Diffuser w/ Wear Ring<br>Medium Head: 3 HP                | CALL    | CALL      |
| 18               | C101-126B  | Volute Diffuser w/ Wear Ring<br>Medium Head: 5 HP                | 291.50  | 350.27    |
| 18               | C101-132   | Volute Diffuser w/ Wear Ring<br>High Head: 3 HP, High Head: 5 HP | 291.50  | 350.27    |
| 19               | C21-2      | Diffuser Ring  | 8.93    | 10.73     |
| 20               | C76-12     | Pump Body<br>Medium Head: 3 HP, High Head: 5 HP                  | 1243.39 | 1494.06   |
| 20               | C76-12C    | Pump Body - Medium Head: 5 HP                                    | 1342.68 | 1613.36   |
| 20               | C76-12B    | Pump Body - High Head: 3 HP                                      | 1235.49 | 1484.56   |
| 21               | U78-941ZPv | Pipe Plug, 1/4 in. NPT <sup>1</sup>                              | 2.49    | 2.99      |
| 22               | U30-60ZP   | Capscrew 5/16-18 x 3/4 in.                                       | CALL    | CALL      |
| <b>NOT SHOWN</b> |            |  |         |           |
|                  | U212-68T   | Draincock, 1/4 in. NPT *   | 9.07    | 10.90     |

<sup>1</sup> Purchase locally.

<sup>2</sup> Change effective 6/97.

<sup>3</sup> Replaces U109-220 (effective 8/00).

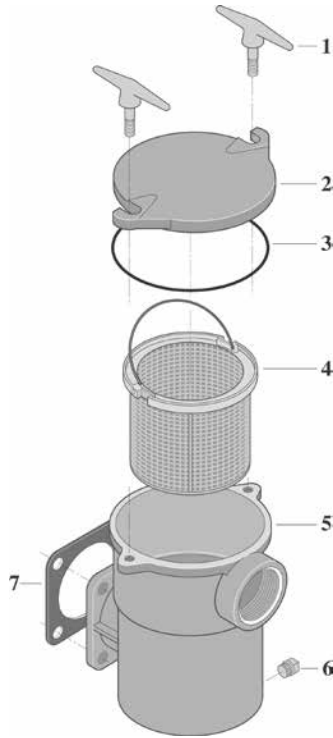
Note: D Series with different numbers (i.e. DMH-64) use different parts. Consult factory for older models.

# CAST IRON SUCTION TRAP ASSEMBLY

## REPLACEMENT PARTS



**PACKAGE**  
**No. 51**  
**No. 98**  
**No. 74**



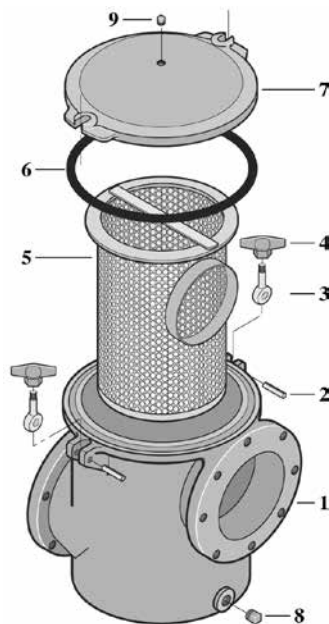
**CALIFORNIA PROPOSITION 65 WARNING**

⚠ **WARNING:** Cancer and Reproductive Harm.  
 ⚠ **AVERTISSEMENT:** Peut Causer le Cancer et des Dommages au Système Reproducteur.  
 ⚠ **ADVERTENCIA:** Cáncer y Daño Reproductivo.  
[www.p65warnings.ca.gov](http://www.p65warnings.ca.gov)

| Item   | Part No.   | Description                  | US List | Can. List |
|--|------------|------------------------------|---------|-----------|
| <b>PKG. 51 6-IN. TRAP REPLACEMENT PARTS</b>  |            |                              |         |           |
| 1  | C154-18D   | Handle Assembly <sup>1</sup> | 53.77   | 64.61     |
| 2  | C3-30      | Cover                        | 122.61  | 147.33    |
| 3  | U9-46      | Cord Ring                    | 19.08   | 22.93     |
| 4  | C108-11P   | Strainer Basket              | 51.05   | 61.34     |
| 5  | C53-5B     | Trap Body                    | 402.83  | 484.04    |
| 6  | U78-57DT   | Pipe Plug, 1/4 in. NPT       | CALL    | CALL      |
| 7  | C20-19     | Gasket                       | 4.53    | 5.44      |
| <b>PKG. 98 8-IN. TRAP REPLACEMENT PARTS</b>  |            |                              |         |           |
| 1  | C154-18D   | Handle Assembly <sup>1</sup> | 53.77   | 64.61     |
| 2  | C3-105     | Cover                        | 300.56  | 361.15    |
| 3  | U9-171     | Cord Ring                    | 25.55   | 30.70     |
| 4  | 16401-0030 | Strainer Basket              | 638.71  | 767.47    |
| 5  | C53-21     | Trap Body                    | 1149.19 | 1380.87   |
| 6  | U78-57DT   | Pipe Plug, 1/4 in. NPT       | CALL    | CALL      |
| 7  | C20-19     | Gasket                       | 4.53    | 5.44      |
| <b>PKG. 74 11-IN. TRAP REPLACEMENT PARTS</b> |            |                              |         |           |
| 1  | C154-18D   | Handle Assembly <sup>1</sup> | 53.77   | 64.61     |
| 2  | C3-76      | Cover                        | CALL    | CALL      |
| 3  | U9-105     | Cord Ring                    | CALL    | CALL      |
| 4  | C108-25SS  | Strainer Basket              | CALL    | CALL      |
| 5  | -          | Trap Body                    |         |           |
| 6  | U78-57DT   | Pipe Plug, 1/4 in. NPT       | CALL    | CALL      |
| 7  | C20-19     | Gasket                       | 4.53    | 5.44      |

<sup>1</sup> 6 in. - Pkg. 51 has 2 each; 8 in. - Pkg. 98 has 4 each; 11 in. - Pkg. 74 has 4 each.

**PACKAGE**  
**No. 184**  
**No. 184C**  
**No. 184E**  
**No. 184CE**



| Item                                     | Part No.   | Description   | US List | Can. List |
|--|------------|---|---------|-----------|
| <b>STANDARD FLANGE REPLACEMENT PARTS</b> |            |   |         |           |
| 1  | 16401-0010 | Strainer Body (Pkg. 184, 184E)  | 5270.11 | 6332.56   |
| 1  | 16401-2015 | Strainer Body (Pkg. 184C, 184CE) <sup>1</sup>                                 | CALL    | CALL      |
| 2  | 35857-0031 | Spring Pin  | 27.51   | 33.06     |
| 3  | 30767-0011 | Toggle Bolt   | 454.28  | 545.86    |
| 4  | 35404-0319 | Wing Nut  | 114.71  | 137.84    |
| 5  | 16401-0102 | Strainer Basket   | 2087.75 | 2508.64   |
| 6  | 3642220457 | O-Ring  | CALL    | CALL      |
| 7  | 16401-0210 | Strainer Cover (Pkg. 184, 184E)   | 1133.40 | 1361.89   |
| 7  | 16401-2215 | Strainer Cover (Pkg. 184C, 184CE) <sup>1</sup>                                | 2440.71 | 2932.76   |
| 8  | U78-59D    | Pipe Plug, 1/2 in. Square Head Brass  | 15.14   | 18.19     |
| <b>NOT SHOWN</b>                         |            |   |         |           |
|  | 33450-8041 | Gasket, 6 in. Pipe Flange   | 38.65   | 46.44     |
|  | 16830-0401 | Hardware Kit (includes 16 each 3/4 in. lockwashers, 3/4-10 x 2 in. Capscrews) | 343.04  | 412.20    |
|  | 61002-0012 | Tag, Hazardous Suction  | CALL    | CALL      |

<sup>1</sup> Epoxy coated.

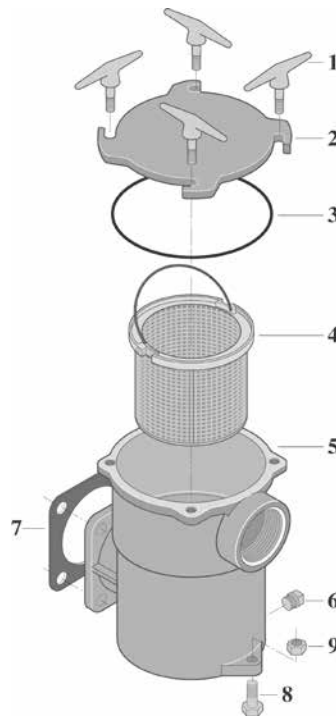


# BRONZE SUCTION TRAP ASSEMBLY

## REPLACEMENT PARTS



**PACKAGE  
No. 56  
No. 99**

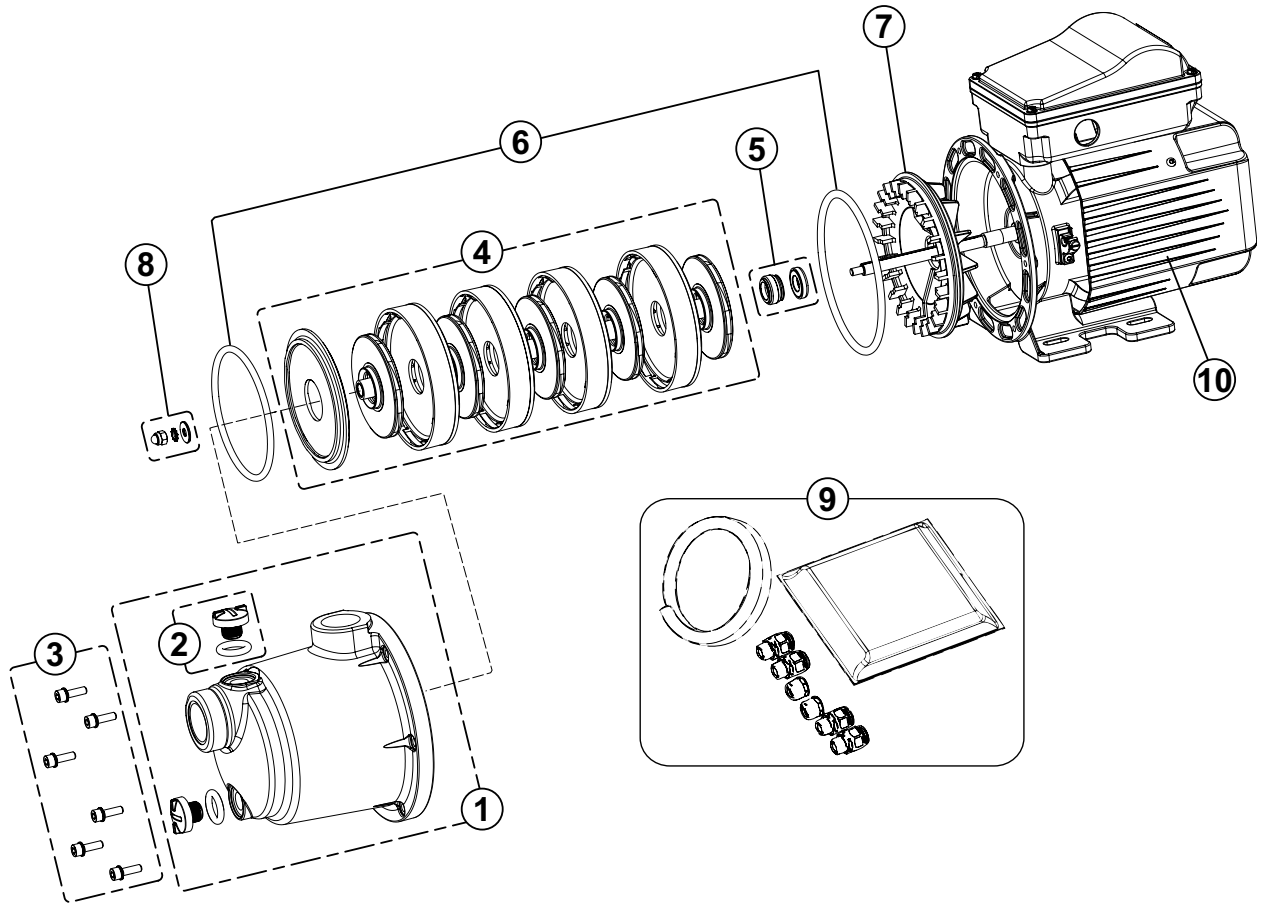


| Item                                 | Part No.   | Description                  | US List | Can. List |
|--------------------------------------|------------|------------------------------|---------|-----------|
| <b>BRONZE TRAP REPLACEMENT PARTS</b> |            |                              |         |           |
| 1                                    | C154-18D   | Lock Handle Assembly         | 53.77   | 64.61     |
| 2                                    | C3-78D     | Cover (Pkg. 56)              | 344.69  | 414.18    |
| 2                                    | C3-105D    | Cover (Pkg. 99)              | 953.81  | 1146.10   |
| 3                                    | U9-46      | O-Ring (Pkg. 56)             | 19.08   | 22.93     |
| 3                                    | U9-171     | O-Ring (Pkg. 99)             | 25.55   | 30.70     |
| 4                                    | C108-11P   | Strainer Basket (Pkg. 56)    | 51.05   | 61.34     |
| 4                                    | 16401-0030 | Strainer Basket (Pkg. 99)    | 638.71  | 767.47    |
| 5                                    | C53-5D     | Suction Trap Body (Pkg. 56)  | CALL    | CALL      |
| 5                                    | C53-21D    | Suction Trap Body (Pkg. 99)  | CALL    | CALL      |
| 6                                    | U78-57DT   | Pipe Plug, 1/4 in. NPT       | CALL    | CALL      |
| 7                                    | C20-19     | Gasket, Flange               | 4.53    | 5.44      |
| 8                                    | U30-77SS   | Capscrew, 3/8-16 x 1-3/4 in. | 8.45    | 10.15     |
| 9                                    | U36-38ZP   | Nut, Hex 3/8-16              | CALL    | CALL      |

CALIFORNIA PROPOSITION 65 WARNING  
 ⚠️ **WARNING:** Cancer and Reproductive Harm.  
 ⚠️ **AVERTISSEMENT:** Peut Causer le Cancer et des Dommages au Système Reproducteur.  
 ⚠️ **ADVERTENCIA:** Cáncer y Daño Reproductivo.  
[www.p65warnings.ca.gov](http://www.p65warnings.ca.gov) PK1201743

# HYDROBOOST™ BOOSTER PUMP

## REPLACEMENT PARTS



| Item                | Part No. | Qty. | Description                | US List | Can. List |
|---------------------|----------|------|----------------------------|---------|-----------|
| <b>BOOSTER PUMP</b> |          |      |                            |         |           |
| 1                   | ZBR39320 | 1    | PUMP BODY W/ DRAIN PLUGS   | 92.83   | 111.54    |
| 2                   | ZBR12160 | 1    | DRAIN PLUGS W/ O-RING KIT* | 31.32   | 37.63     |
| 3                   | ZBR12170 | 1    | BODY PUMP FASTENERS KIT    | 26.51   | 31.86     |
| 4                   | ZBR39330 | 1    | HYDRAULIC KIT              | 198.46  | 238.47    |
| 5                   | ZBR43920 | 1    | MECHANICAL SEAL KIT        | 45.51   | 54.68     |
| 6                   | ZBR12200 | 1    | O-RING KIT                 | 30.03   | 36.08     |
| 7                   | ZBR12210 | 1    | SEAL PLATE KIT             | 46.68   | 56.09     |
| 8                   | ZBR12270 | 1    | END SHAFT FASTENERS KIT    | 29.24   | 35.14     |
| 9                   | 353020   | 1    | HOSE ADAPTER KIT**         | 74.86   | 89.95     |
| 10                  | 360519Z  | 1    | MOTOR                      | 927.00  | 1113.88   |
| —                   | 357843   | 1    | FAN SHROUD                 | CALL    | CALL      |

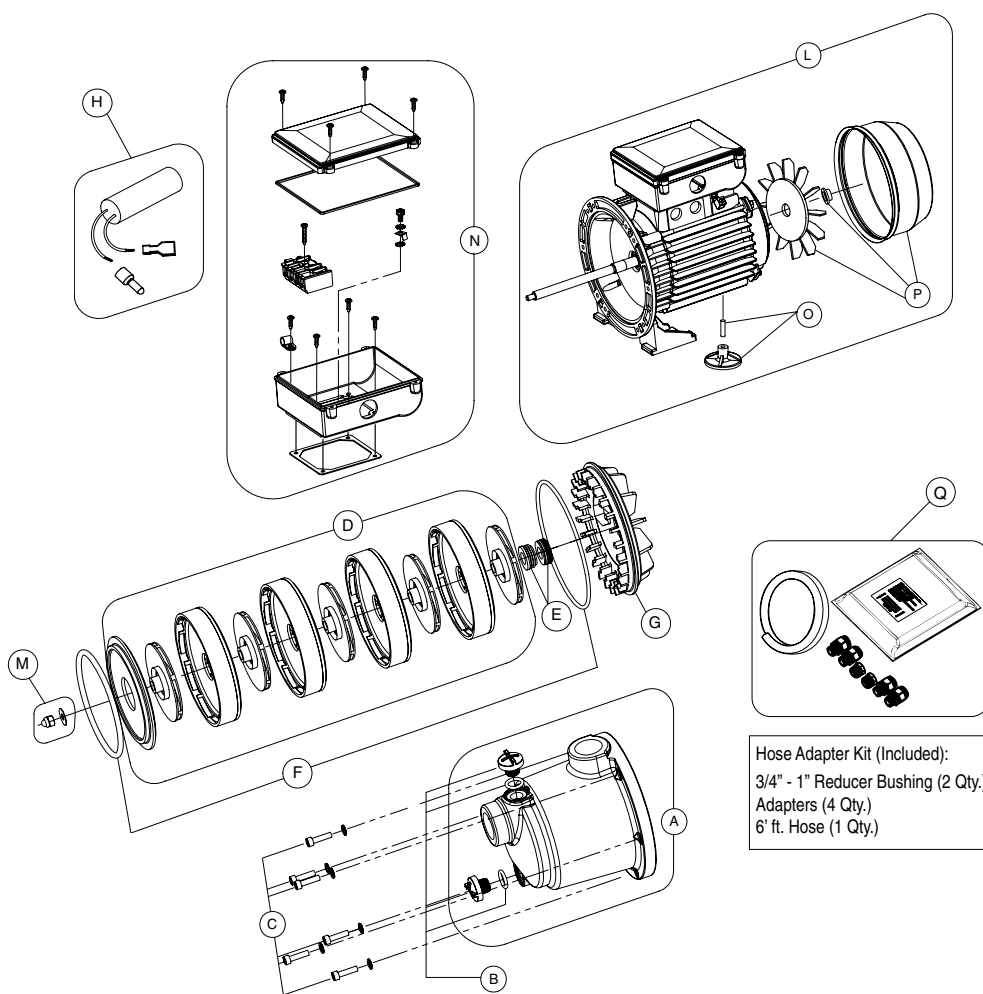
\*INCLUDES (2) DRAIN PLUGS AND (2) O-RINGS; HOUSING NOT INCLUDED.

\*\*INCLUDES (2) REDUCER BUSHINGS, (4) ADAPTERS AND 6 FT. (1.8 M) HOSE.

CALIFORNIA PROPOSITION 65 WARNING  
 ⚠️ **WARNING:** Cancer and Reproductive Harm.  
 ⚠️ **AVERTISSEMENT:** Peut Causer le Cancer et des Dommages au Système Reproducteur.  
 ⚠️ **ADVERTENCIA:** Cáncer y Daño Reproductivo.  
[www.p65warnings.ca.gov](http://www.p65warnings.ca.gov) P/N 201714

# BOOST-RITE® BOOSTER PUMP

## REPLACEMENT PARTS



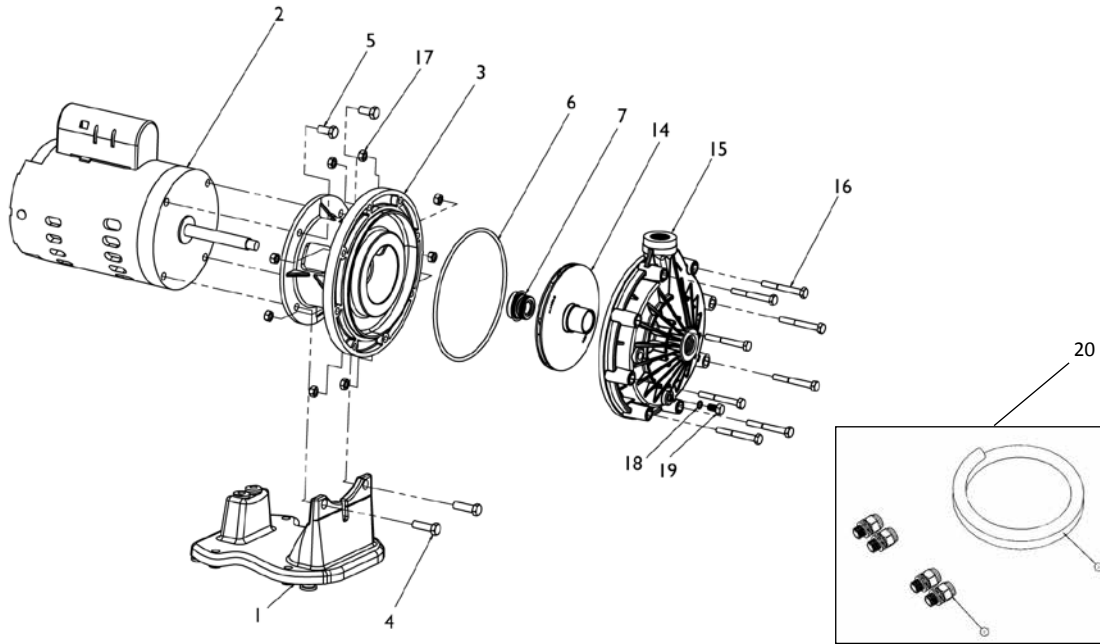
| Item                | Part No. | Qty. | Description  | US List | Can. List |
|---------------------|----------|------|--|---------|-----------|
| <b>BOOSTER PUMP</b> |          |      |  |         |           |
| A                   | ZBR39320 | 1    | Pump Body Kit w/Drain Plugs  | 92.83   | 111.54    |
| B                   | ZBR12160 | 2    | Drain Plugs with O-Ring Kit - includes (2) drain plugs and (2) O-Rings | 31.32   | 37.63     |
| C                   | ZBR12170 | 1    | Body Pump Fasteners Kit  | 26.51   | 31.86     |
| D                   | ZBR39330 | 1    | Hydraulic Kit  | 198.46  | 238.47    |
| E                   | ZBR43920 | 1    | Mechanical Seal Kit  | 45.51   | 54.68     |
| F                   | ZBR12200 | 1    | O-Ring Kit   | 30.03   | 36.08     |
| G                   | ZBR12210 | 1    | Seal Plate Kit   | 46.68   | 56.09     |
| H                   | ZBR39340 | 1    | Capacitor Kit  | CALL    | CALL      |
| L                   | ZBR39360 | 1    | Complete Motor Assembly  | CALL    | CALL      |
| M                   | ZBR12270 | 1    | End Shaft Fasteners Kit  | 29.24   | 35.14     |
| N                   | ZBR39350 | 1    | Capacitor Box Complete Kit   | CALL    | CALL      |
| O                   | ZBR26910 | 1    | Base Kit   | CALL    | CALL      |
| P                   | ZBR43810 | 1    | Fan Kit  | CALL    | CALL      |
| Q                   | 353040   | 1    | Hose Kit   | 99.02   | 118.98    |

CALIFORNIA PROPOSITION 65 WARNING

⚠ **WARNING:** Cancer and Reproductive Harm.  
 ⚠ **AVERTISSEMENT:** Peut Causer le Cancer et des Dommages au Système Reproducteur.  
 ⚠ **ADVERTENCIA:** Cáncer y Daño Reproductivo.

[www.p65warnings.ca.gov](http://www.p65warnings.ca.gov)

# BOOSTER PUMP REPLACEMENT PARTS



| Item                | Part No.  | Qty. | Description   | US List | Can. List |
|---------------------|-----------|------|---|---------|-----------|
| <b>BOOSTER PUMP</b> |           |      |   |         |           |
| 1                   | LA41      | 1    | Pump stand 99, complete with rubber grommets                            | 51.76   | 62.19     |
| 2                   | 357824S   | 1    | Motor, 230/115 V, 1 ph, 60 hz, 6.5/13 A                                 | CALL    | CALL      |
| 3                   | LA295 *   | 1    | Seal bracket  | 215.35  | 258.76    |
| 4                   | LA136     | 2-PK | Bolt 3/8-16 x 1-1/4 in., 2 req.   | CALL    | CALL      |
| 5                   | LA135     | 2-PK | Bolt 3/8-16 x 3/4 in., 2 req.   | CALL    | CALL      |
| 6                   | LA415 *   | 1    | O-ring for seal bracket   | 5.85    | 7.03      |
| 7                   | 071734S   | 1    | Seal (PS1000) - Set includes both cap and bellows                       | 46.83   | 56.27     |
| 14                  | LA05L *   | 1    | Impeller (new style)  | 66.75   | 80.21     |
| 14                  | LA02L     | 1    | Impeller (old style)  | 62.70   | 75.34     |
| 15                  | LA39534 * | 1    | Volute  | 85.25   | 102.44    |
| 16                  | LA115     | 2-PK | Bolt  | 5.44    | 6.54      |
| 17                  | LA125     | 2-PK | Nut   | 5.23    | 6.28      |
| 18                  | LA375 *   | 1    | O-ring for drain plug   | 1.65    | 1.98      |
| 19                  | EB20 *    | 2-PK | Drain plug  | 4.86    | 5.84      |
| 20                  | 353020    | 1    | Hose kit: 4 plastic fittings and 1-6 ft. white hose. (built after 2005) | 74.86   | 89.95     |
| <b>NOT SHOWN</b>    |           |      |   |         |           |
|                     | LD10      | 2-PK | Hose washer (built prior to 2005), steel with black hose                | 2.25    | 2.70      |
|                     | 370239    | 1    | Adapter Kit - 4 hose adapters in a bag; no hose                         | 48.62   | 58.42     |

\* Recommended for stock.

**Note: Pumps and replacement motors that are single speed and one (1) Total HP or greater cannot be sold, offered for sale, or installed in a residential pool for filtration use in California, Title 20 CCR sections 1601-1609.**

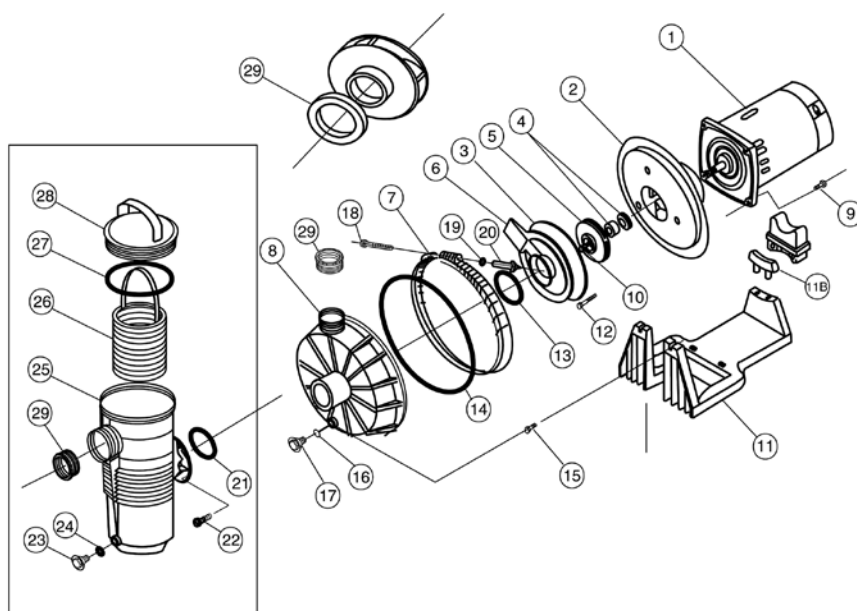
CALIFORNIA PROPOSITION 65 WARNING

⚠️ **WARNING:** Cancer and Reproductive Harm.  
 ⚠️ **AVERTISSEMENT:** Peut Causer le Cancer et des Dommages au Système Reproducteur.  
 ⚠️ **ADVERTENCIA:** Cáncer y Daño Reproductivo.

[www.p65warnings.ca.gov](http://www.p65warnings.ca.gov)

# WATERFALL SPECIALTY PUMP

## REPLACEMENT PARTS



| Item                   | Part No. | Description   | US List | Can. List |
|------------------------|----------|---|---------|-----------|
| <b>WATERFALL PUMPS</b> |          |   |         |           |
| 1                      | 355222S  | Motor, AF-180, AFP-150 & 180, 35 lbs.                       | CALL    | CALL      |
| 2                      | 355004Z  | Plate, seal   | CALL    | CALL      |
| 3                      | 355317   | Plate, mounting AF-75, AFP-75                               | 23.02   | 27.66     |
| 3                      | 355495   | Plate, mounting AF-120 & 180, AFP-120, 150 & 180            | 21.27   | 25.56     |
| 4                      | 354545S  | Seal, 5/8 in. mechanical, PS 200                            | 44.23   | 53.15     |
| 5                      | 355544   | Impeller AF-75, AFP-75                                      | 114.13  | 137.14    |
| 5                      | 355068   | Impeller AF-120, AFP-120                                    | 85.78   | 103.07    |
| 5                      | 355221   | Impeller AF-180, AFP-150 & 180                              | 83.38   | 100.19    |
| 6                      | 355545Z  | Diffuser AF-75, AFP-75                                      | CALL    | CALL      |
| 6                      | 355069   | Diffuser AF-120, AFP-120                                    | 57.77   | 69.42     |
| 6                      | 355140   | Diffuser AF-180, AFP-150 & 180                              | 77.89   | 93.59     |
| 7                      | 355320   | Band, clamp assembly complete                               | 133.90  | 160.89    |
| 8                      | 355302   | Housing, front  | 317.09  | 381.02    |
| 9                      | U30-74SS | Screw, 3/8 in.-16 SS hex hd., 4 req.                        | 6.76    | 8.12      |
| 10                     | 355389Z  | Screw, impeller locking                                     | CALL    | CALL      |
| 11                     | 355305   | Base, pump <sup>1</sup>                                     | 76.45   | 91.86     |
| 11B                    | 355385   | Adapter, 5-5/8 in. dia. motor <sup>2</sup>                  | 19.53   | 23.47     |
| 12                     | 355334Z  | Screw, No. 8-32 x 1 in. AF-75 & 120, AFP-75 & 120, 3 req.   | 4.86    | 5.84      |
| 12                     | 355141   | Screw, No. 8-32 x 1-1/2 in. AF-180, AFP-150 & 180           | 10.83   | 13.01     |
| 13                     | 355331Z  | O-ring, diffuser  | 4.86    | 5.84      |
| 14                     | 355329Z  | O-ring, front housing                                       | 25.95   | 31.18     |
| 15                     | 355335   | Screw, 5/16, 18 x 1/2 in. SS hex wsh. hd., (AF models only) | 2.38    | 2.86      |
| 16                     | 192115Z  | O-ring, drain plug  | 3.90    | 4.69      |
| 17                     | 154699   | Plug, 1/2 in. drain   | CALL    | CALL      |
| 20                     | 175025   | Knob (fits clamp w/ captured T-bolt only)                   | 54.34   | 65.29     |
| 21                     | 355330Z  | O-ring, strainer pot flange                                 | CALL    | CALL      |

| Item             | Part No. | Description   | US List | Can. List |
|------------------|----------|---|---------|-----------|
| 22               | 354265   | Screw, 5/16 in., 18 hex wsh. hd., 4 req.                            | 3.31    | 3.98      |
| 23               | 357161Z  | Plug, 1/4 in. drain   | 7.80    | 9.37      |
| 24               | 192115Z  | O-ring, drain plug  | 3.90    | 4.69      |
| 25               | 355300Z  | Strainer pot AFP-75, AFP-120 & 150                                  | CALL    | CALL      |
| 26               | 355318Z  | Basket, plastic strainer AFP-75 & 120                               | 63.40   | 76.18     |
| 26               | 355441   | Basket, SS strainer AFP-150   | 292.08  | 350.96    |
| 26               | 355901   | Basket, SS strainer AFP-180   | 633.13  | 760.77    |
| 27               | 350013Z  | O-ring, lid AFP-75, AFP-120 & 150                                   | 5.83    | 7.01      |
| 27               | 152509Z  | Seal, lid AFP-180   | 11.33   | 13.61     |
| 28               | 355301Z  | Lid, strainer pot AFP-75, AFP-120 & 150                             | CALL    | CALL      |
| 28               | 355902   | Lid, strainer pot AFP-180   | CALL    | CALL      |
| 29               | 355142   | Bushing, impeller nose AF-180, AFP-150 & 180                        | 106.42  | 127.87    |
| <b>NOT SHOWN</b> |          |   |         |           |
|                  | 355914   | Lid strainer pot AFP-75, AFP-120 & 150 Chemical resistant black lid | CALL    | CALL      |
|                  | 154527Z  | Wrench, 8-1/2 in., strainer pot AFP-180                             | CALL    | CALL      |

<sup>1</sup> Pump base (item 11) includes dual radius motor support.

<sup>2</sup> Item 11A, motor support is a replacement part that fits only older style pump bases with rectangular opening.

**Note: Pumps and replacement motors that are single speed and one (1) Total HP or greater cannot be sold, offered for sale, or installed in a residential pool for filtration use in California, Title 20 CCR sections 1601-1609.**

CALIFORNIA PROPOSITION 65 WARNING

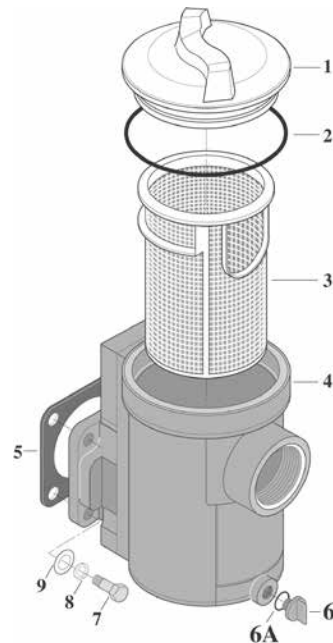
**WARNING:** Cancer and Reproductive Harm.  
**AVERTISSEMENT:** Peut Causer le Cancer et des Dommages au Système Reproducteur.  
**ADVERTENCIA:** Cáncer y Daño Reproductivo.  
[www.p65warnings.ca.gov](http://www.p65warnings.ca.gov)

# PLASTIC SUCTION TRAP ASSEMBLY

## PACKAGE NO 161 - 6 IN. REPLACEMENT PARTS

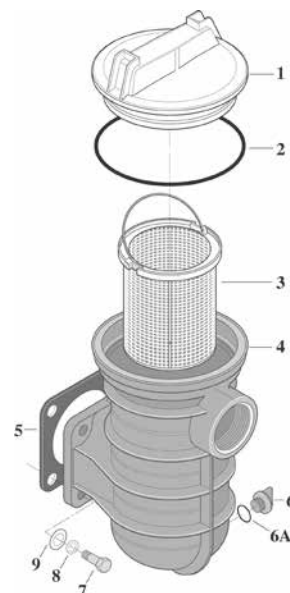


| Item   | Part No.   | Description                   | US List | Can. List |
|--|------------|-------------------------------|---------|-----------|
| <b>PKG. 181 6-IN. TRAP REPLACEMENT PARTS</b> |            |                               |         |           |
| 1  | 16920-0011 | Lid                           | 106.91  | 128.46    |
| 2  | 16920-0012 | O-Ring                        | 31.39   | 37.72     |
| 3  | 16920-0017 | Strainer Basket               | 45.35   | 54.49     |
| 4  | C253-58P   | Trap and Adapter Assembly     | 454.28  | 545.86    |
| 5  | C20-123Z   | Gasket                        | 13.86   | 16.65     |
| 6  | U178-920PZ | Drain Plug, 1/4 in. NPT       | 7.80    | 9.37      |
| 6A   | U9-359Z    | O-Ring                        | CALL    | CALL      |
| 7  | U30-64SS   | Capscrew, 5/16-18 x 1-1/4 in. | 6.06    | 7.28      |
| 8  | U43-11SS   | Lockwasher, 5/16 in.          | 3.46    | 4.16      |
| 9  | U43-41SSZ  | Washer, 5/16 in. Flat         | 3.93    | 4.72      |
| <b>NOT SHOWN</b>                             |            |                               |         |           |
|  | U9-285     | Adapter O-Ring                | 6.74    | 8.10      |



## PACKAGE NO 115 - 5 IN. REPLACEMENT PARTS

| Item   | Part No.   | Description                     | US List | Can. List |
|--|------------|---------------------------------|---------|-----------|
| <b>PKG. 115 5-IN. TRAP REPLACEMENT PARTS</b> |            |                                 |         |           |
| 1  | C3-139P1Z  | Cover                           | CALL    | CALL      |
| 2  | U9-229Z    | O-Ring, Cover                   | 20.79   | 24.98     |
| 3  | C108-33PZ  | Strainer Basket *               | 19.71   | 23.68     |
| 4  | C153-53P1  | Trap Body                       | 166.65  | 200.25    |
| 5  | C20-123Z   | Gasket                          | 13.86   | 16.65     |
| 6  | U178-920PZ | Pipe Plug, 1/4 in. NPT          | 7.80    | 9.37      |
| 6A   | U9-359Z    | O-Ring                          | CALL    | CALL      |
| 7  | U30-64SS   | Capscrew, 5/16 - 18 x 1-1/4 in. | 6.06    | 7.28      |
| 8  | U43-11SS   | Lockwasher                      | 3.46    | 4.16      |
| 9  | U43-41SSZ  | Washer, Flat                    | 3.93    | 4.72      |
| <b>NOT SHOWN</b>                             |            |                                 |         |           |
|  | PKG 115    | Complete Suction Trap Assembly  | 222.25  | 267.06    |

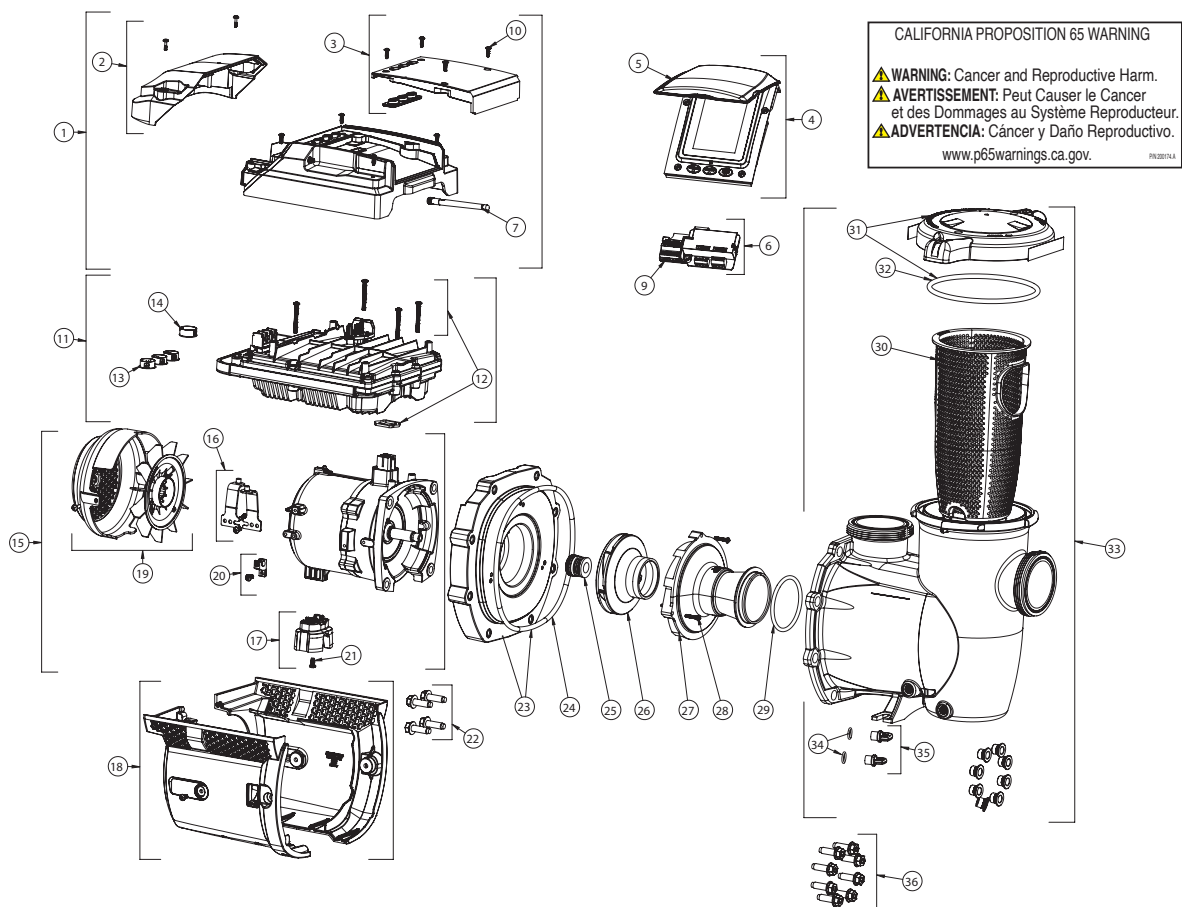


**CALIFORNIA PROPOSITION 65 WARNING**

⚠ **WARNING:** Cancer and Reproductive Harm.  
 ⚠ **AVERTISSEMENT:** Peut Causer le Cancer et des Dommages au Système Reproducteur.  
 ⚠ **ADVERTENCIA:** Cáncer y Daño Reproductivo.  
[www.p65warnings.ca.gov](http://www.p65warnings.ca.gov)

# INTELLIFLO3® 1.5 HP

## VARIABLE SPEED AND FLOW POOL PUMP REPLACEMENT PARTS



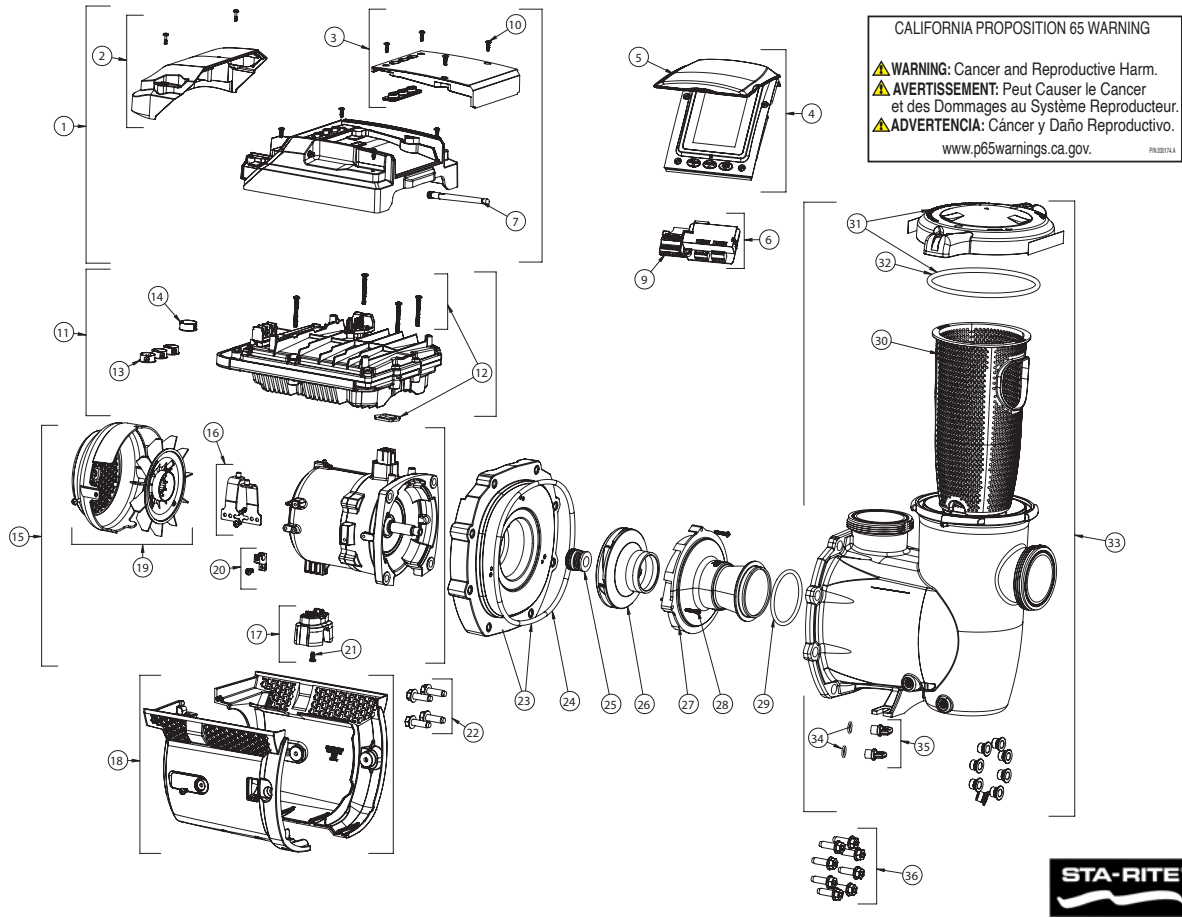
CALIFORNIA PROPOSITION 65 WARNING  
 ⚠️ WARNING: Cancer and Reproductive Harm.  
 ⚠️ AVERTISSEMENT: Peut Causer le Cancer et des Dommages au Système Reproducteur.  
 ⚠️ ADVERTENCIA: Cáncer y Daño Reproductivo.  
 www.p65warnings.ca.gov. P162017A

| Item          | Part No. | Description                          | US List | Can. List |
|---------------|----------|--------------------------------------|---------|-----------|
| <b>SYSTEM</b> |          |                                      |         |           |
| 1             | 356214z  | Drive Cover Assembly                 | CALL    | CALL      |
| 2             | 356096Z  | Field Wiring Compartment Kit         | CALL    | CALL      |
| 3             | 356101z  | Blank Controller Kit                 | CALL    | CALL      |
| 4             | 356159z  | Touchscreen Controller Kit           | CALL    | CALL      |
| 5             | 356099z  | Touchscreen Lid                      | CALL    | CALL      |
| 6             | 356365z  | Relay Control Board Kit              | CALL    | CALL      |
| 7             | 356226z  | Antenna                              | CALL    | CALL      |
| 9             | 8023306  | 6-Pin Connector, Relay Control Board | CALL    | CALL      |
| 10            | 356215z  | Controller Screw (x4)                | CALL    | CALL      |
| 11            | 356162z  | Drive and Drive Hardware Kit         | CALL    | CALL      |
| 12            | 357865   | Drive Hardware Kit                   | CALL    | CALL      |
| 13            | 356219z  | 7/8" Plug, Drive                     | CALL    | CALL      |
| 14            | 356320z  | 1" Bushing, Low Voltage, Drive       | CALL    | CALL      |
| 15            | 356164s  | Motor Kit                            | CALL    | CALL      |
| 16            | 356167z  | Motor Bracket Kit (x2)               | CALL    | CALL      |
| 17            | 356149z  | Motor Foot Kit                       | CALL    | CALL      |
| 18            | 357867   | Motor Shroud Kit                     | CALL    | CALL      |
| 19            | 356232z  | Motor Fan Kit                        | CALL    | CALL      |
| 20            | 356166z  | Bonding Lug                          | CALL    | CALL      |
| 21            | 356221z  | Motor Foot Screw                     | CALL    | CALL      |
| 22            | 074165z  | Motor Bolts (x4)                     | CALL    | CALL      |

| Item             | Part No. | Description                           | US List | Can. List |
|------------------|----------|---------------------------------------|---------|-----------|
| 23               | 356090z  | Seal Plate Kit                        | CALL    | CALL      |
| 24               | 356148z  | Seal Plate O-ring                     | CALL    | CALL      |
| 25               | 356210s  | Shaft Seal                            | CALL    | CALL      |
| 26               | 356176z  | Impeller                              | CALL    | CALL      |
| 27               | 356155z  | Diffuser                              | CALL    | CALL      |
| 28               | 356213z  | Diffuser Screws (x3)                  | CALL    | CALL      |
| 29               | 356190z  | Diffuser O-ring                       | CALL    | CALL      |
| 30               | 074162z  | Strainer Basket                       | CALL    | CALL      |
| 31               | 356172z  | Lid Assembly                          | CALL    | CALL      |
| 32               | 356189z  | Lid O-ring                            | CALL    | CALL      |
| 33               | 356174z  | Strainer Pot Kit                      | CALL    | CALL      |
| 34               | 192115z  | Drain Plug O-ring                     | CALL    | CALL      |
| 35               | 071131z  | Drain Plug                            | CALL    | CALL      |
| 36               | 074164z  | Seal Plate-to-Strainer Pot Bolts (x6) | CALL    | CALL      |
| <b>NOT SHOWN</b> |          |                                       |         |           |
| —                | 8023304  | 4-Pin Connector, RS-485               | CALL    | CALL      |
| —                | 357871   | Seal Kit                              | CALL    | CALL      |
| —                | 351157   | Union Kit                             | CALL    | CALL      |
| —                | 6020018  | Union O-ring                          | CALL    | CALL      |
| —                | 357833z  | Riser Plate Kit - Thin (A/B Base)     | CALL    | CALL      |
| —                | 357831z  | Riser Plate Kit - Thick (C Base)      | CALL    | CALL      |
| —                | 357832z  | Riser Plate Kit - Both                | CALL    | CALL      |

# INTELLIPRO3® 1.5 HP

## VARIABLE SPEED AND FLOW POOL PUMP REPLACEMENT PARTS



| Item          | Part No. | Description                          | US List | Can. List |
|---------------|----------|--------------------------------------|---------|-----------|
| <b>SYSTEM</b> |          |                                      |         |           |
| 1             | 356349z  | Drive Cover Assembly                 | CALL    | CALL      |
| 2             | 356337z  | Field Wiring Compartment Kit         | CALL    | CALL      |
| 3             | 356338z  | Blank Controller Kit                 | CALL    | CALL      |
| 4             | 356348z  | Touchscreen Controller Kit           | CALL    | CALL      |
| 5             | 356339z  | Touchscreen Lid                      | CALL    | CALL      |
| 6             | 356365z  | Relay Control Board Kit              | CALL    | CALL      |
| 7             | 356226z  | Antenna                              | CALL    | CALL      |
| 9             | 8023306  | 6-Pin Connector, Relay Control Board | CALL    | CALL      |
| 10            | 356215z  | Controller Screw (x4)                | CALL    | CALL      |
| 11            | 356162z  | Drive and Drive Hardware Kit         | CALL    | CALL      |
| 12            | 357865   | Drive Hardware Kit                   | CALL    | CALL      |
| 13            | 356219z  | 7/8" Plug, Drive                     | CALL    | CALL      |
| 14            | 356320z  | 1" Bushing, Low Voltage, Drive       | CALL    | CALL      |
| 15            | 356164s  | Motor Kit                            | CALL    | CALL      |
| 16            | 356167z  | Motor Bracket Kit (x2)               | CALL    | CALL      |
| 17            | 356341z  | Motor Foot Kit                       | CALL    | CALL      |
| 18            | 357868   | Motor Shroud Kit                     | CALL    | CALL      |
| 19            | 356232z  | Motor Fan Kit                        | CALL    | CALL      |
| 20            | 356166z  | Bonding Lug                          | CALL    | CALL      |
| 21            | 356221z  | Motor Foot Screw                     | CALL    | CALL      |
| 22            | 074165z  | Motor Bolts (x4)                     | CALL    | CALL      |

| Item             | Part No. | Description                           | US List | Can. List |
|------------------|----------|---------------------------------------|---------|-----------|
| 23               | 356333z  | Seal Plate Kit                        | CALL    | CALL      |
| 24               | 356148z  | Seal Plate O-ring                     | CALL    | CALL      |
| 25               | 356210s  | Shaft Seal                            | CALL    | CALL      |
| 26               | 356176z  | Impeller                              | CALL    | CALL      |
| 27               | 356155z  | Diffuser                              | CALL    | CALL      |
| 28               | 356213z  | Diffuser Screws (x3)                  | CALL    | CALL      |
| 29               | 356190z  | Diffuser O-ring                       | CALL    | CALL      |
| 30               | 074162z  | Strainer Basket                       | CALL    | CALL      |
| 31               | 356368z  | Lid Assembly                          | CALL    | CALL      |
| 32               | 356189z  | Lid O-ring                            | CALL    | CALL      |
| 33               | 356346z  | Strainer Pot Kit                      | CALL    | CALL      |
| 34               | 192115z  | Drain Plug O-ring                     | CALL    | CALL      |
| 35               | 357161z  | Drain Plug                            | CALL    | CALL      |
| 36               | 074164z  | Seal Plate-to-Strainer Pot Bolts (x6) | CALL    | CALL      |
| <b>NOT SHOWN</b> |          |                                       |         |           |
| —                | 8023304  | 4-Pin Connector, RS-485               | CALL    | CALL      |
| —                | 357871   | Seal Kit                              | CALL    | CALL      |
| —                | 351157   | Union Kit                             | CALL    | CALL      |
| —                | 6020018  | Union O-ring                          | CALL    | CALL      |
| —                | 357833z  | Riser Plate Kit - Thin (A/B Base)     | CALL    | CALL      |
| —                | 357831z  | Riser Plate Kit - Thick (C Base)      | CALL    | CALL      |
| —                | 357832z  | Riser Plate Kit - Both                | CALL    | CALL      |

Product on page 234–235. See page 522 for IntelliPro3 VSF 3 HP replacement parts.