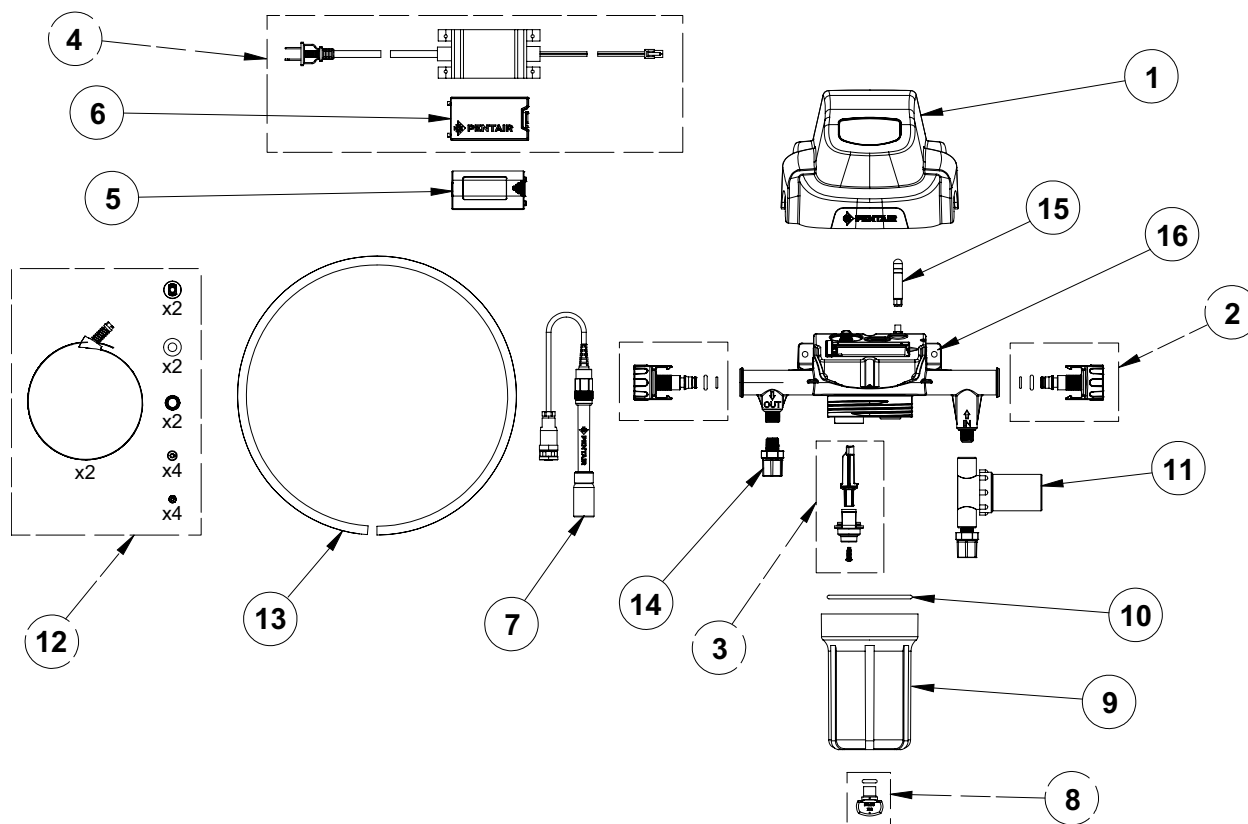


SANITIZER[‡] & WATER QUALITY PARTS

Product Catalog 2024

CHEMCHECK™ REPLACEMENT PARTS



Item	Part No.	Description	US List	Can. List
CHEMCHECK REPLACEMENT PARTS				
1	523527	Top Cover	125.40	150.68
2	523539	Flow Valves (inlet AND outlet)	53.76	64.60
3	523540	Flow Switch	46.58	55.97
4	523526	Power Supply (includes Item 6)	CALL	CALL
5	523387Z	Battery Pack	125.40	150.68
6	523396Z	Battery Cover	28.66	34.44
7	523399Z	Electrode	214.99	258.33
8	523522	Drain Plug Assembly	CALL	CALL
9	523506Z	Reservoir	89.56	107.62
10	523516Z	Reservoir O-ring	CALL	CALL

Item	Part No.	Description	US List	Can. List
CHEMCHECK REPLACEMENT PARTS				
11	523441Z	In-line Filter	57.32	68.88
12	523440Z	Install Hardware Kit	42.99	51.66
13	521814	Tubing, 20 ft.	CALL	CALL
14	606000100Z	Tube Fitting	7.09	8.52
15	523385Z	Antenna	53.76	64.60
16	523541	Base Assembly (includes Items 2, 3 and 14)	250.81	301.37

Product on page 285.

†“Sanitizer” is an industry term of art and is not intended to imply any antimicrobial capabilities.

INTELLICHEM® CHEMICAL CONTROLLER REPLACEMENT PARTS

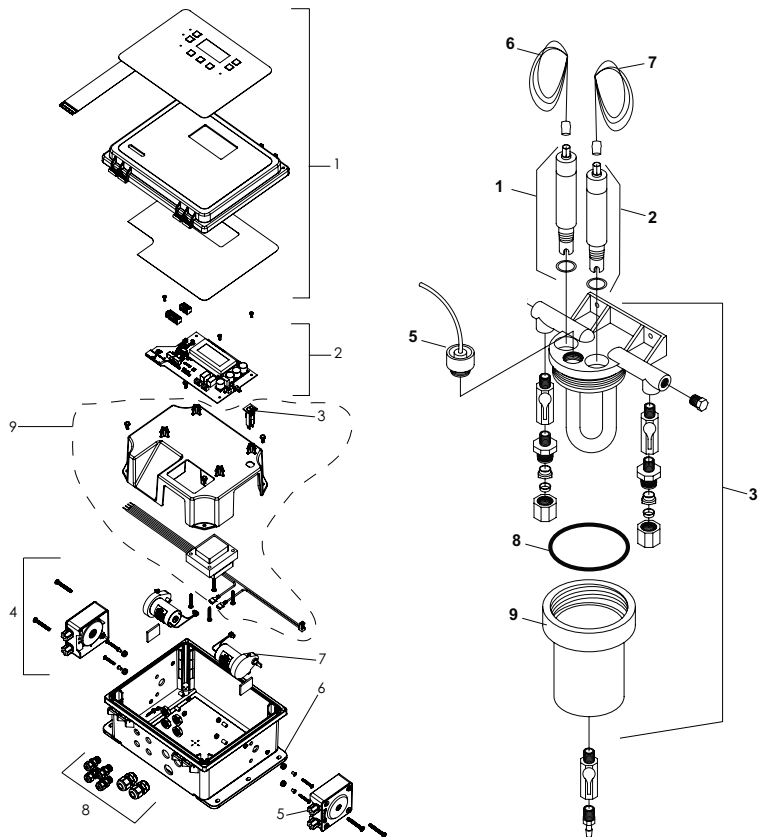
Item	Part No.	Description	US List	Can. List
INTELLICHEM CONTROLLER REPLACEMENT PARTS				
1	521465Z	Top Half (Lid with overlay and wiring diagram)	492.22	591.45
2	521319Z	Controller PCBA	1063.64	1278.07
3	8520031Z	Circuit Breaker	69.43	83.43
4	521348Z	SHURflo Pumphead (prior to 2012)	CALL	CALL
5	521466Z	Jaco® Fitting for SHURflo Pumphead	59.62	71.64
6	521467Z	Controller Mounting Brackets	74.50	89.52
7	521338Z	Motor for SHURflo Pumphead (prior to 2012)	CALL	CALL
8	521468Z	Strain Relief Kit	117.60	141.31
9	521335Z	Transformer with Mounting Plate	343.07	412.23
INTELLICHEM FLOW CELL REPLACEMENT PARTS				
1	522186	pH Sensor (1-year warranty)	227.52	273.39
2	522187	ORP Sensor (1-year warranty)	320.43	385.03
3	754000310	Flow Cell with Flow Switch	CALL	CALL
	521342Z	Parts Bag	422.24	507.36
5	754000440	Flow Switch with Magnet	CALL	CALL
	754000410	Magnet for Flow Switch	26.53	31.88
6	744000290	Cable for pH Sensor, 3 ft.	CALL	CALL
7	744000360	Cable for ORP Sensor 3 ft.	CALL	CALL
8	754000350	O-Ring for Flow Jar	CALL	CALL
9	754000340	Jar for Flow Cell	CALL	CALL

Item	Part No.	Description	US List	Can. List
OPTIONAL ACCESSORIES				
	521814	3/8" Black Tubing, 20 Ft.	CALL	CALL
	744000280	Cable, pH Sensor, 10 Ft.	CALL	CALL
	744000350	Cable, ORP Sensor, 10 Ft.	CALL	CALL
	755000350	3/8" Black Tubing 100 ft.	CALL	CALL
	522010Z	Inline Filter	34.59	41.56
	606000100Z	Fitting 3/8" Tube x 1/4" NPT	7.09	8.52
	620000040Z	Plug 1/4" NPT	3.07	3.69
	620000130Z	Nipple 1/4" NPT	3.07	3.69
	622000080Z	Ball Valve 1/4" NPT	39.95	48.00
	R172032Z	Fitting 3/8" Tube to Bypass Clamp	9.07	10.90
	R172033Z	Rubber Gasket for Bypass Clamp	3.90	4.69
	R172036Z	O-Ring Lubricant	14.99	18.01
	522347Z	Bypass Clamp (replaces R172034)	45.42	54.58

*Pentair recommends replacing peristaltic pump tubes every 6 months

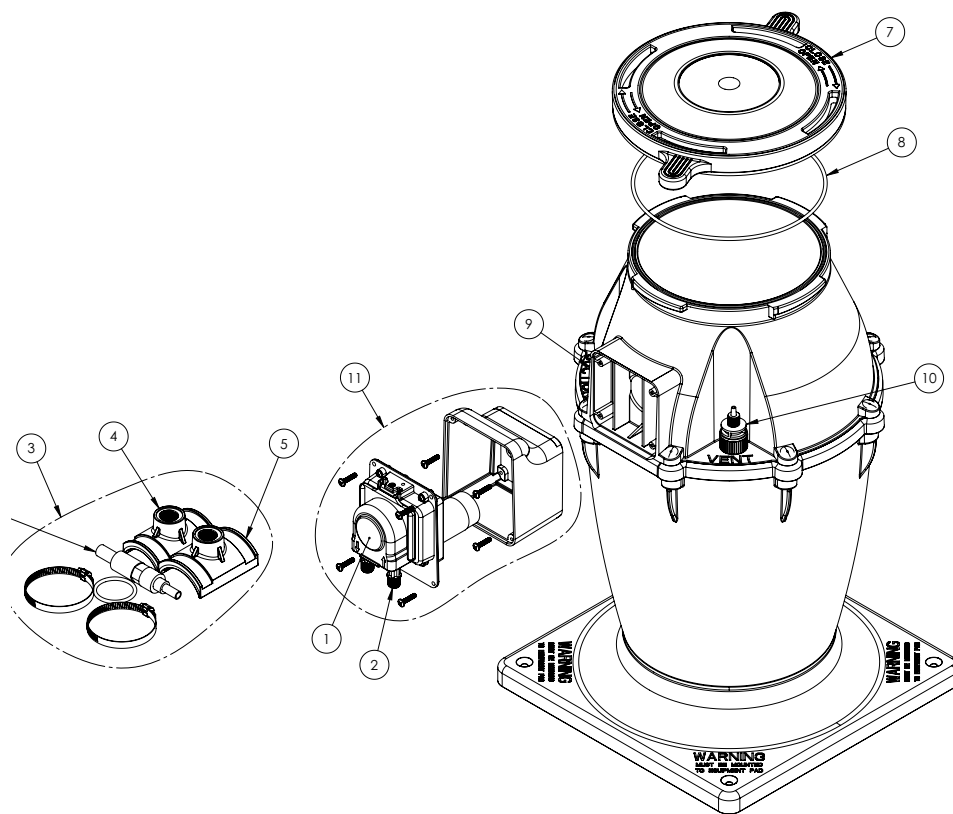
Product on page 286.

CALIFORNIA PROPOSITION 65 WARNING
 ⚠️ **WARNING:** Cancer and Reproductive Harm.
 ⚠️ **AVERTISSEMENT:** Peut Causer le Cancer et des Dommages au Système Reproducteur.
 ⚠️ **ADVERTENCIA:** Cáncer y Daño Reproductivo.
www.p65warnings.ca.gov P# 201714



*"Sanitizer" is an industry term of art and is not intended to imply any antimicrobial capabilities.

INTELLICHEM® CHEMICAL TANK REPLACEMENT PARTS



Item	Part No.	Description	US List	Can. List
INTELLICHEM REPLACEMENT CHEMICAL CONTAINER				
	522472	Acid Tank with Tank Mounted Pump for IntelliChem	CALL	CALL
	522473	Chlorine Tank with Tank Mounted Pump for IntelliChem	CALL	CALL
	521378	Acid Container for IntelliChem (Requires Separate Pump)	CALL	CALL
	521397	Chlorine Container for IntelliChem (Requires Seperate Pump)	CALL	CALL
INTELLICHEM CHEMICAL CONTAINER REPLACEMENT PARTS				
	522384	1/4" Black Tubing for Chemical Injection with Labels, 20 Ft.	CALL	CALL
	522446	1/4" Black Tubing for Chemical Injection with Labels, 100 Ft.	CALL	CALL
1	522386	Repair Kit for Tank Mounted Pump	177.32	213.07
2	522480	Pump Tubes for Tank Mounted Pump, 2 Pk.	86.41	103.83

Item	Part No.	Description	US List	Can. List
INTELLICHEM CHEMICAL CONTAINER REPLACEMENT PARTS CONT'D.				
3	521895	Kit IPH RPLC ACC Bag (Includes ball, spring, saddle clamp parts)	CALL	CALL
4	521511	Saddle Clamp for 1- 1/2" Pipe (Requires Check Valve)	63.74	76.59
5	521512	Saddle clamp for 2" Pipe (Requires Check Valve)	73.53	88.35
6	522513Z	Injection Check Valve	49.98	60.06
7	521505	Lid for Acid Container	103.00	123.76
7	521506	Lid for Chlorine Container	103.00	123.76
8	521507	O-Ring for Container Lid, 5-Pk.	122.62	147.34
9	521508	Suction Fitting, Black	49.01	58.89
10	521509	Vent Fitting, Grey	53.91	64.78
11	522478Z	Upgrade Kit for IntelliChem Motor Driver Tank Pump PCBA	84.39	101.40
	522474	Upgrade Kit for IntelliChem Tank Pump	CALL	CALL

CALIFORNIA PROPOSITION 65 WARNING
 ⚠️ **WARNING:** Cancer and Reproductive Harm.
 ⚠️ **AVERTISSEMENT:** Peut Causer le Cancer et des Dommages au Système Reproducteur.
 ⚠️ **ADVERTENCIA:** Cáncer y Daño Reproductivo.
www.p65warnings.ca.gov P65-2015-14

Product on page 286.

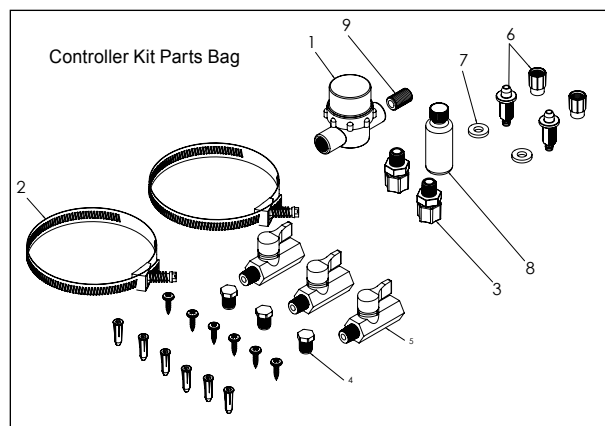
*"Sanitizer" is an industry term of art and is not intended to imply any antimicrobial capabilities.

COMMERCIAL INTELLICHEM® CHEMICAL CONTROLLER REPLACEMENT PARTS

Item	Part No.	Description	US List	Can. List
INTELLICHEM CONTROLLER REPLACEMENT PARTS				
1	523146	Top Half (Lid w/overlay and wiring diagram)	506.85	609.03
2	523004Z	Controller Circuit Board	898.64	1079.81
2	523533Z	LCD Display	84.77	101.86
3	8520031Z	Circuit Breaker	69.43	83.43
	523228	Protocol Adapter	CALL	CALL
	523117	Transceiver Case	93.66	112.54
4	521467Z	Enclosure Mounting Brackets	74.50	89.52
5	521468Z	Strain Relief Kit	117.60	141.31
6	521335Z	Transformer with Mounting Plate	343.07	412.23

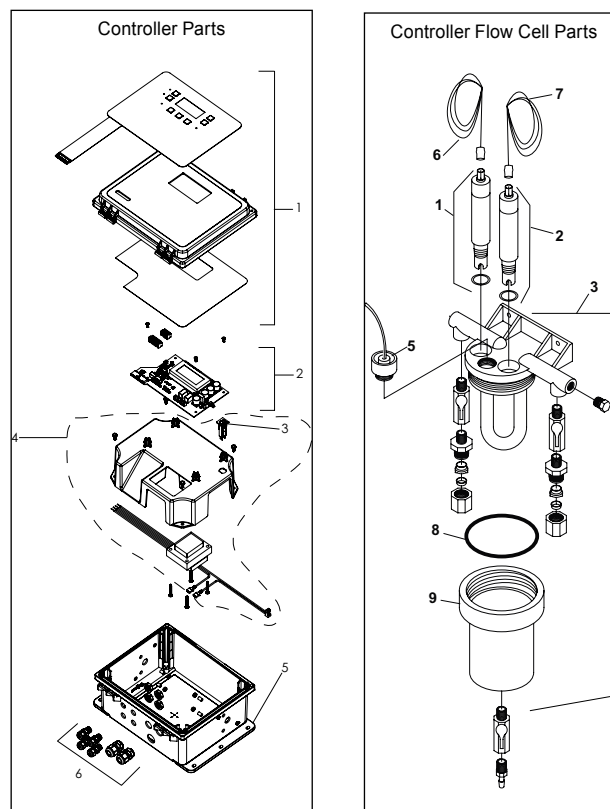
Item	Part No.	Description	US List	Can. List
INTELLICHEM FLOW CELL REPLACEMENT PARTS				
1	522186	pH Sensor (1-year warranty)	227.52	273.39
2	522187	ORP Sensor (1-year warranty)	320.43	385.03
3	754000310	Flow Cell with Flow Switch	CALL	CALL
4	521342Z	Parts Bag	422.24	507.36
5	754000440	Flow Switch with Magnet	CALL	CALL
	754000410	Magnet for Flow Switch	26.53	31.88
	522623	External Flow Switch Kit, 3ft.	CALL	CALL
	522624	External Flow Switch Kit, 10ft.	CALL	CALL
6	744000290	Cable for pH Sensor, 3 ft.	CALL	CALL
7	744000360	Cable for ORP Sensor 3 ft.	CALL	CALL
8	754000350	O-Ring for Flow Jar	CALL	CALL
9	754000340	Jar for Flow Cell	CALL	CALL

Item	Part No.	Description	US List	Can. List
CONTROLLER KIT PARTS BAG CONTENTS				
1	522010Z	Inline Filter	34.59	41.56
2	522347Z	Bypass Clamp (replaces R172034)	45.42	54.58
3	606000100Z	Fitting 3/8" Tube x 1/4" NPT	7.09	8.52
4	620000040Z	Plug 1/4" NPT	3.07	3.69
5	622000080Z	Ball Valve 1/4" NPT	39.95	48.00
6	R172032Z	Fitting 3/8" Tube to Bypass Clamp	9.07	10.90
7	R172033Z	Rubber Gasket for Bypass Clamp	3.90	4.69
8	R172036Z	O-Ring Lubricant	14.99	18.01
9	620000130Z	Nipple 1/4" NPT	3.07	3.69



Item	Part No.	Description	US List	Can. List
OPTIONAL ACCESSORIES				
	523492Z	Stenner 50 GPD External Pump	CALL	CALL
	523493	Stenner Pump Tube - 2 Pack	CALL	CALL
	523494	Stenner Pump Tube - 5 Pack	186.54	224.15
	522384	20 ft - 1/4 in Black Tubing for Chemical Injection with Labels	CALL	CALL
	522446	100 ft - 1/4 in Black Tubing for Chemical Injection with Labels	CALL	CALL
	714000070	CO2 Kit with Diffuser, Solenoid, Regulator	1657.38	1991.51
	521622	IntelliChem Winterizing Kit	CALL	CALL
	522009	Injection Kit (Injection Check Valve)	CALL	CALL
	521511	Saddle Clamp for 1-1/2-in Pipe (Required Check Valve)	63.74	76.59
	521512	Saddle Clamp for 2-in Pipe (Required Check Valve)	73.53	88.35
INTELLICHEM TITLE-22 REPLACEMENT PARTS				
	523537Z	Upgrade Kit	305.20	366.73
	523470Z	Daughter Circuit Board	327.90	394.00
	523525Z	Controller Circuit Board	847.77	1018.68

*Pentair recommends replacing peristaltic pump tubes every 6 months

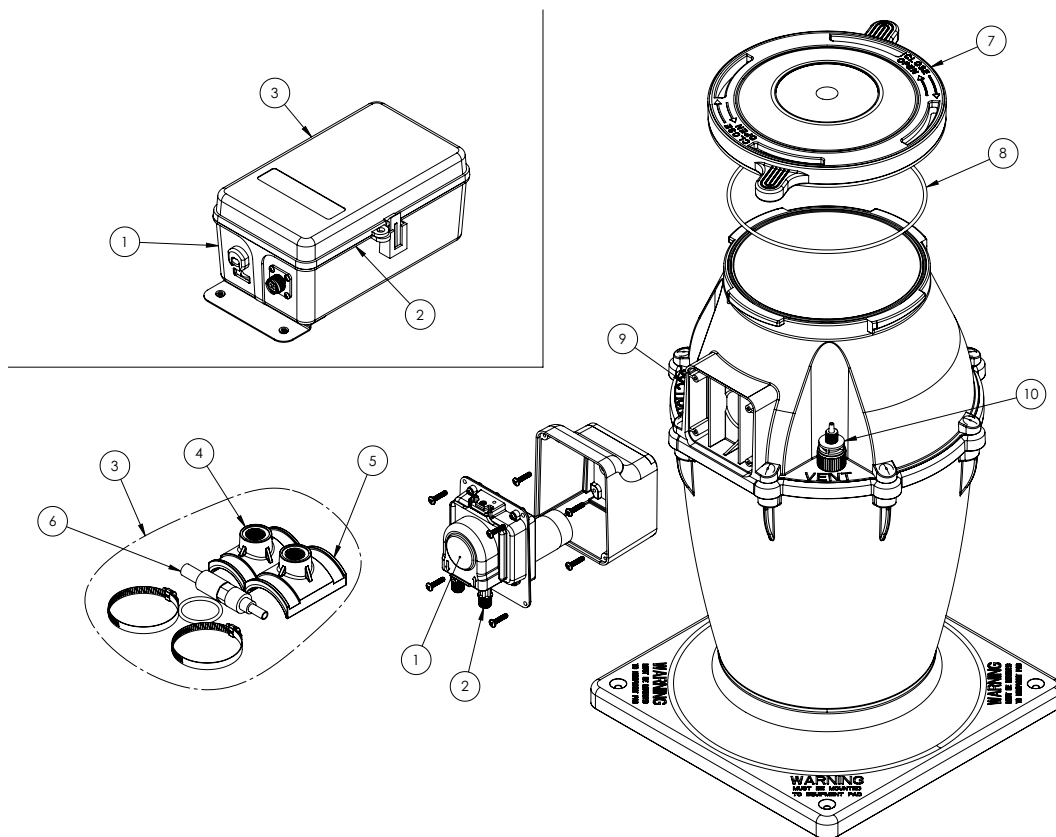


CALIFORNIA PROPOSITION 65 WARNING
 ⚠️ **WARNING:** Cancer and Reproductive Harm.
 ⚠️ **AVERTISSEMENT:** Peut Causer le Cancer et des Dommages au Système Reproducteur.
 ⚠️ **ADVERTENCIA:** Cáncer y Daño Reproductivo.
www.p65warnings.ca.gov PH 202114A

Product on page 287.

*"Sanitizer" is an industry term of art and is not intended to imply any antimicrobial capabilities.

INTELLIPH® CONTROLLER REPLACEMENT PARTS



Item	Part No.	Description	US List	Can. List
INTELLIPH CONTROLLER REPLACEMENT PARTS				
1	522711	IntellipH Controller Unit	603.88	725.62
2	521513	Faceplate and PCBA	632.83	760.41
3	521516	Door for Controller	68.62	82.45
REPLACEMENT CHEMICAL CONTAINER				
	522712	IntellipH Container	951.43	1143.24
CHEMICAL CONTAINER REPLACEMENT PARTS				
	522384	1/4" Black Tubing for Chemical Injection with Labels, 20 Ft.	CALL	CALL
	522446	1/4" Black Tubing for Chemical Injection with Labels, 100 Ft.	CALL	CALL
1	522386	Repair Kit for Tank Mounted Pump	177.32	213.07
2	522480	Pump Tubes for Tank Mounted Pump, 2 Pk.	86.41	103.83

Item	Part No.	Description	US List	Can. List
CHEMICAL CONTAINER REPLACEMENT PARTS CONT'D.				
3	521895	Kit IPH RPLC ACC Bag (Includes ball, spring, saddle clamp parts)	CALL	CALL
4	521511	Saddle Clamp for 1- 1/2" Pipe (Requires Check Valve)	63.74	76.59
5	521512	Saddle clamp for 2" Pipe (Requires Check Valve)	73.53	88.35
6	522513Z	Injection Check Valve	49.98	60.06
7	521505	Lid for Acid Container	103.00	123.76
8	521507	O-Ring for Container Lid, 5-Pk.	122.62	147.34
9	521508	Suction Fitting, Black	49.01	58.89
10	521509	Vent Fitting, Grey	53.91	64.78
	521514	Stenner Pumphead for IntellipH	CALL	CALL
	521515	Upgrade Kit for IntellipH Stenner Pump Head Mtr Assy	CALL	CALL

Product on page 288.

CALIFORNIA PROPOSITION 65 WARNING

⚠ **WARNING:** Cancer and Reproductive Harm.

⚠ **AVERTISSEMENT:** Peut Causer le Cancer et des Dommages au Système Reproducteur.

⚠ **ADVERTENCIA:** Cáncer y Daño Reproductivo.

www.p65warnings.ca.gov

PH202114

INTELLISYNC™ REPLACEMENT PARTS



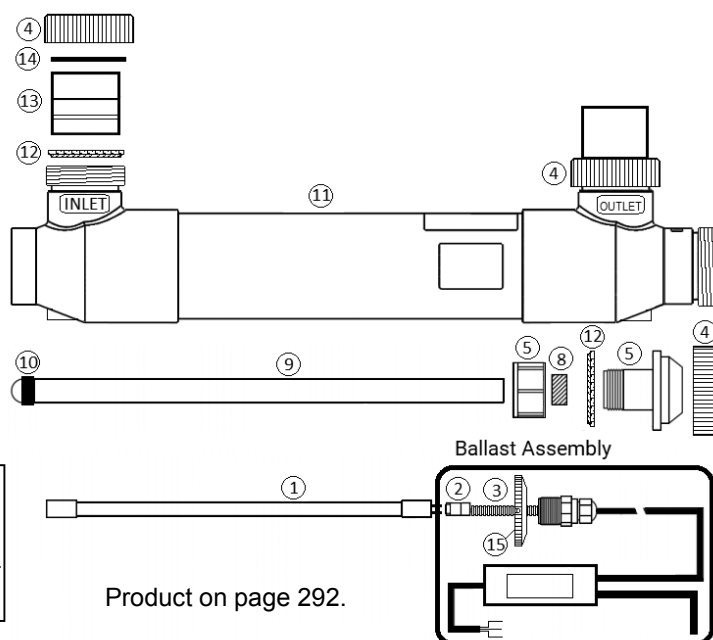
Part No.	Description	US List	Can. List
INTELLISYNC REPLACEMENT PARTS			
523404	IntelliSync Unit	CALL	CALL
523413Z	Top Cover	CALL	CALL
523410Z	Power Supply	112.68	135.40
8023302	Terminal Plug (2 Position)	CALL	CALL
8023304	Terminal Plug (4 Position)	CALL	CALL
8023306	Terminal Plug (6 Position)	CALL	CALL
Water/Air Temperature Sensor Kit			
520872	Water/Air Temperature Sensor Kit 521583 - Temperature Sensor, 10k Ohms, 40 ft 521584 - Temperature Sensor, 10k Ohms, 20 ft 476168 - Hose Clamp (1-7/8" - 5" Clamp) 9321004 - Hose Clamp 2-3/4 IN	CALL	CALL

*"Sanitizer" is an industry term of art and is not intended to imply any antimicrobial capabilities.

BIOSHIELD® UV SYSTEM REPLACEMENT PARTS

Item	Part No.	Description	US List	CAN. List
1	523035	50 Watt UV Lamp for Model #522635	253.59	304.71
1	523036	80 Watt UV Lamp for Model #522636	274.10	329.36
1	523037	120 Watt UV Lamp for Model #522637	315.24	378.79
1	523038	150 Watt UV Lamp for Model #522638 and #522945	287.87	345.90
2	523034	4-Pin Lamp Connector	6.95	8.35
3	523423	Lamp Spacer	43.07	51.75
4	411000	Black Retaining Nut	29.72	35.71
8	960533	Quartz Sleeve Gasket	CALL	CALL
9	523039	Quartz Sleeve 22.25" for Model #522635	119.92	144.10
9	523040	Quartz Sleeve 38.25" for Model #522636	137.06	164.69
9	523041	Quartz Sleeve 50.75" for Model #522637	205.87	247.37
9	523042	Quartz Sleeve 65.00" for Model #522638 and #522945	171.33	205.87
10	523403	Quartz Sleeve Dampner Band	21.53	25.87
11	523110	50 Watt UV Housing	1148.37	1379.88
11	523111	80 Watt UV Housing	1203.29	1445.87
11	523112	120 Watt UV Housing	1243.47	1494.15
11	523113	150 Watt UV Housing	1708.68	2053.15
KITS				
523460		Ballast Assembly Only with Flow Switch Input Model #522635 - 522637	633.23	760.89
523462		Ballast Assembly Only with Flow Switch Input Model #522638/522945	633.23	760.89
523461		Ballast Assembly with Flow Switch and Tee Model #522635 - 522637	844.31	1014.52
523463		Ballast Assembly with Flow Switch and Tee Model #522638/522945	844.31	1014.52
523458		Flow Switch only (with connector)	189.96	228.26
523459		Reducer Tee 2.5" x 1"	23.22	27.90
523382		Quartz Sleeve Module - All Models (Includes Item # 5, 8)	304.77	366.21
410020		Union Assembly for Models # 522935-522638 (3"/2.5" - Includes Item # 12, 13, 14, 4)	221.19	265.78
523148		Union Assembly for Models # 522638-522945 (3") *	507.30	609.57
523098		Clamp Kit (Includes a set of 2)	198.39	238.39
523383		Seal Kit - All Models (Includes Item # 8, 12)	91.44	109.87
410016Z		Seal Kit Union (Includes 2 of Item #12)	18.28	21.97

*REVISION 2

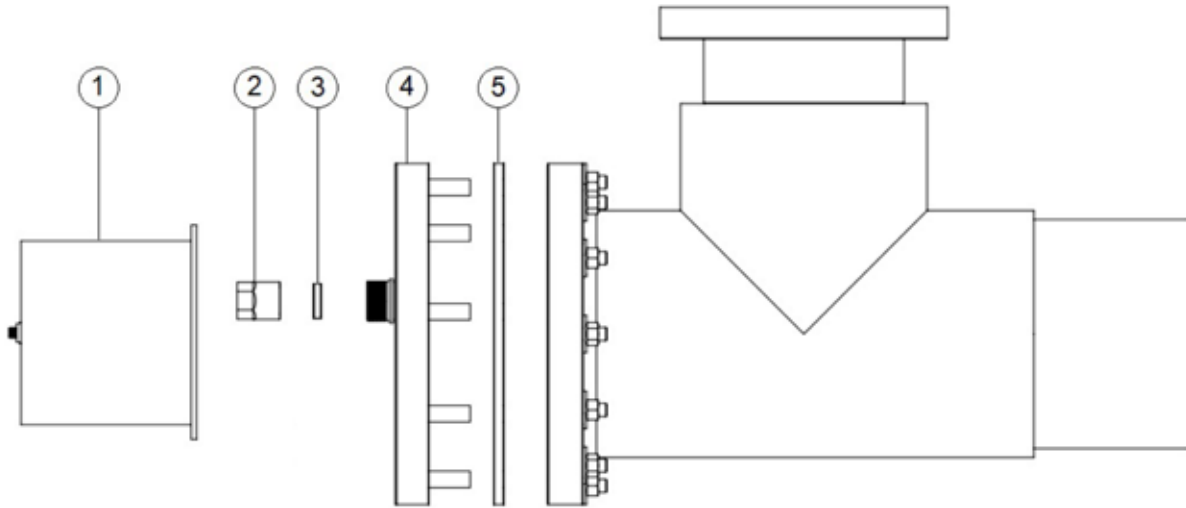


CALIFORNIA PROPOSITION 65 WARNING
 ⚠️ **WARNING:** Cancer and Reproductive Harm.
 ⚠️ **AVERTISSEMENT:** Peut Causer le Cancer et des Dommages au Système Reproducteur.
 ⚠️ **ADVERTENCIA:** Cáncer y Daño Reproductivo.
 www.p65warnings.ca.gov. P8-201514

*"Sanitizer" is an industry term of art and is not intended to imply any antimicrobial capabilities.

BIOSHIELD® PRO UV SYSTEM

REPLACEMENT PARTS



Item	System Part Number						Description	US List	CAN. List
	523575	523576	523577	523578	523579	523580			
1	523613	523613	523614	523614	523614	523614	NSF SAFETY CAP	CALL	CALL
2	QSRA-HDPE						QUARTZ SLEEVE RETAINING NUT	CALL	CALL
3	EP50-318Z						QUARTZ O-RING	CALL	CALL
4	CLPHO-2-6BF	CLPHO-4-6BF	CLPHO-4-8BF	CLPHO-5-8BF	CLPHO-5-10BF	CLPHO-6-10BF	FACEPLATE	CALL	CALL
5	17-060	17-060	17-080	17-080	17-100	17-100	FACEPLATE GASKET	CALL	CALL
—	523037						UV LAMP	CALL	CALL
—	523041						QUARTZ SLEEVE	CALL	CALL
—	28/HDPE-TOOL-ASSM						RETAINING NUT TOOL	CALL	CALL
—	523591						BALLAST	CALL	CALL
—	523594						FLOW SWITCH	CALL	CALL
—	523581						INTERCONNECT BOX	CALL	CALL

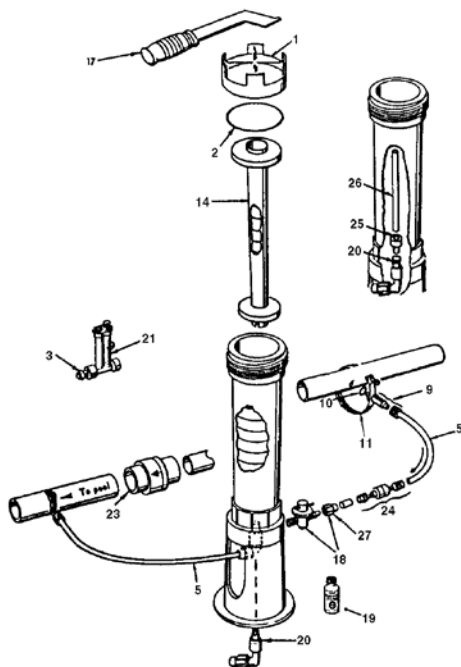
CALIFORNIA PROPOSITION 65 WARNING
 ⚠️ **WARNING:** Cancer and Reproductive Harm.
 ⚠️ **AVERTISSEMENT:** Peut Causer le Cancer et des Dommages au Système Reproducteur.
 ⚠️ **ADVERTENCIA:** Cáncer y Daño Reproductivo.
www.p65warnings.ca.gov PR000744

Product on page 293.

*"Sanitizer" is an industry term of art and is not intended to imply any antimicrobial capabilities.

AUTOMATIC FEEDER - MODEL 300, 302, 300-19, 300-29

REPLACEMENT PARTS



Item	Qty.	Part No.	Description	US List	Can. List
Order No.:		R171016		R171026	
Model No.:		300		302	
Description:		AUTOMATIC FEEDER		SPA HOT TUB FEEDER	

Item	Qty.	Part No.	Description	US List	Can. List
1	1	R172008W	3 in. threaded cap, white	27.58	33.14
2	1	R172009Z	O-ring, cap	10.71	12.87
3	Opt.	R172020	Check valve Old Style	7.27	8.74
5	1	R172023Z	3/8 in. o.d. x 1/4 in. i.d. tubing, 8 ft.	14.61	17.56
9	2	R172032Z	Tube fitting with compression nut	9.07	10.90
10	2	R172033Z	Gasket	3.90	4.69
11	2	R172034Z	Saddle clamp	9.07	10.90
14	1	R172037	Spa chamber #302 only	25.32	30.42
17	Opt.	R172052	Cap wrench	46.31	55.65
18	1	R172060Z	Control valve 1/4 in. NPT x tube with compression nut	37.70	45.30
19	1	R172036Z	Silicone lubricant, 3/4 oz.	14.99	18.01
20	1	R172061Z	Combination check valve / elbow	9.32	11.20
21	Opt.	R172080Z	Flow indicator w/check valve	48.96	58.83
23	Opt.	R172288	1-1/2 in.-2 in. Corrosion resistant check valve	62.15	74.68
24	Opt.	R172323	1/4 in. Corrosion resistant check valve	28.46	34.20
25		R172061ZB	Standpipe adapter, Bromine	CALL	CALL
26		R18761	6 in. Standpipe 3/8 in. o.d. x 1/4 in. i.d.	1.62	1.95
27	1	R18706Z	Compression nut only	4.53	5.44

Order No.: R172064

Parts bag for 300, 302, 300-19 & 300-29

9	2	R172032Z	Tube fitting with compression nut	9.07	10.90
10	2	R172033Z	Gasket	3.90	4.69
11	2	R172034Z	Saddle clamp	9.07	10.90
18	1	R172060Z	Control valve 1/4 in. NPT x tube with compression nut	37.70	45.30
19	1	R172036Z	Silicone lubricant	14.99	18.01
20	1	R172061Z	Combination check valve / elbow	9.32	11.20

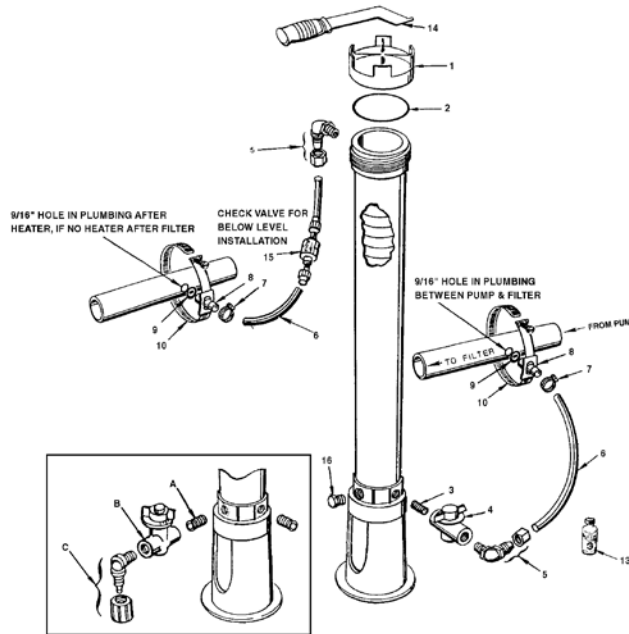
CALIFORNIA PROPOSITION 65 WARNING
 ⚠️ **WARNING:** Cancer and Reproductive Harm.
 ⚠️ **AVERTISSEMENT:** Peut Causer le Cancer et des Dommages au Système Reproducteur.
 ⚠️ **ADVERTENCIA:** Cáncer y Daño Reproductivo.
www.p65warnings.ca.gov PWS 201714

Product on page 300.

*"Sanitizer" is an industry term of art and is not intended to imply any antimicrobial capabilities.

AUTOMATIC FEEDER - MODEL 300-29X

REPLACEMENT PARTS



Item	Qty.	Part No.	Description	US List	Can. List
Order No.: R171070					
Model No.: 300-29X					
Description: COMMERCIAL SIZE FEEDER					
1	1	R172008W	3 in. threaded cap, white	27.58	33.14
2	1	R172009Z	O-ring, cap	27.58	33.14
3	1	R172256Z	1/2 in. x Short MPT nipple	10.71	12.87
4	1	R172086Z	1/2 in. Control valve	8.82	10.60
5	2	R172272Z	1/2 in. 90° NPT x tube fitting w/nut	79.55	95.59
5	Opt.	R172274Z	Compression nut only (for R172272Z)	11.33	13.61
6	1	R172269	1/2 in. i.d. Feeder tube, 12 ft.	4.15	4.99
7	2	R175013	S/S tubing clamp	27.41	32.94
8	2	R172262Z	Saddle tube fitting	9.07	10.90
9	2	R172263Z	Saddle gasket	8.82	10.60
10	2	R172264Z	Saddle clamp	3.31	3.98
10A	Opt.	R172264XL	Saddle clamp for 3 in., 4 in. & 6 in. pipe	16.76	20.14
11	1	R172392	1/4 in. MPT PVC plug (old style)	22.23	26.71
13	1	R172036Z	Silicone lubricant, 3/4 oz.	8.82	10.60
14	Opt.	R172052	Cap wrench	14.99	18.01
15	Opt.	R172324NS	1/2 in. Corrosion resistant check valve, tube x tube (ball)	46.31	55.65
16	1	R172134	1/2 in. MPT PVC plug	CALL	CALL

Item	Qty.	Part No.	Description	US List	Can. List
Order No.: R172275					
Parts bag for 300-29X Complete					
3	1	R172256Z	1/2 in. x Short MPT nipple	8.82	10.60
4	1	R172086Z	1/2 in. Control valve	79.55	95.59
5	2	R172272Z	1/2 in. 90° NPT x tube fitting w/nut	11.33	13.61
5	Opt.	R172274Z	Compression nut only (for R172272Z)	4.15	4.99
7	2	R175013	S/S tubing clamp	9.07	10.90
8	2	R172262Z	Saddle tube fitting	8.82	10.60
9	2	R172263Z	Saddle gasket	3.31	3.98
10	2	R172264Z	Saddle clamp	16.76	20.14
13	1	R172036Z	Silicone lubricant	14.99	18.01
Order No.: R172002					
Optional Drain Kit					
A		R172256Z	1/2 in. Short MPT nipple	8.82	10.60
B		R172086Z	1/2 in. Control valve	79.55	95.59
C		R172272Z	1/2 in. 90° NPT x tube fitting w/nut	11.33	13.61

Product on page 300.

CALIFORNIA PROPOSITION 65 WARNING

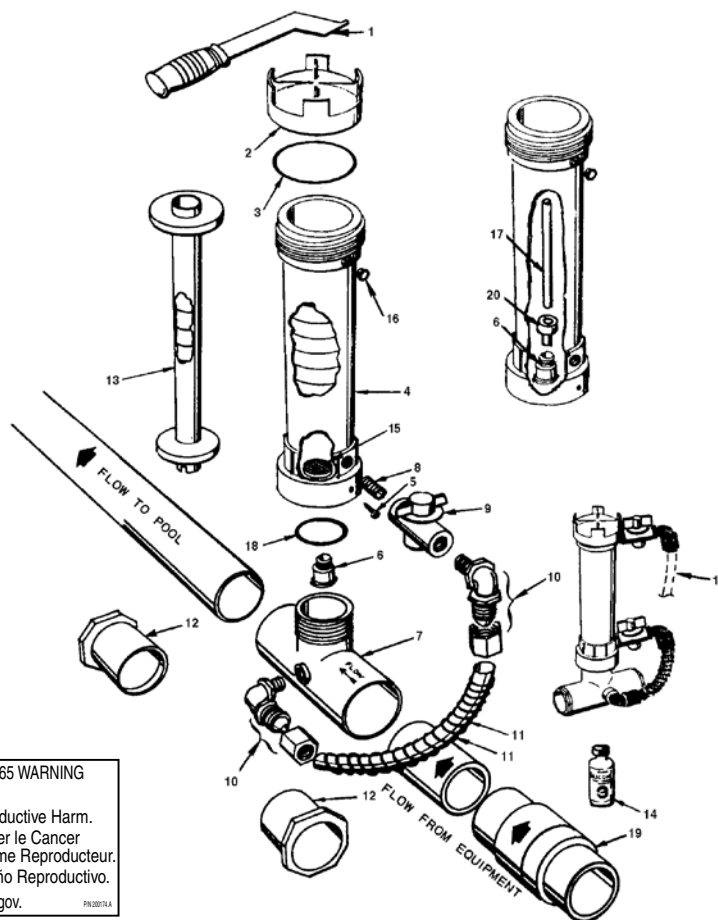
⚠ **WARNING:** Cancer and Reproductive Harm.
 ⚠ **AVERTISSEMENT:** Peut Causer le Cancer et des Dommages au Système Reproducteur.
 ⚠ **ADVERTENCIA:** Cáncer y Daño Reproductivo.

www.p65warnings.ca.gov. P# 202114

*"Sanitizer" is an industry term of art and is not intended to imply any antimicrobial capabilities.

AUTOMATIC FEEDER - MODEL 320

REPLACEMENT PARTS



CALIFORNIA PROPOSITION 65 WARNING
 ⚠️ **WARNING:** Cancer and Reproductive Harm.
 ⚠️ **AVERTISSEMENT:** Peut Causer le Cancer et des Dommages au Système Reproducteur.
 ⚠️ **ADVERTENCIA:** Cáncer y Daño Reproductivo.
 www.p65warnings.ca.gov. P65207A

Item	Qty.	Part No.	Description	US List	Can. List
Order No.: R171096					
Model No.:		320			
Description:		IN-LINE AUTOMATIC FEEDER			
1	Opt.	R172052	Cap wrench	46.31	55.65
2	1	R172008W	3 in. threaded cap - white	27.58	33.14
3	1	R172009Z	O-ring, cap	10.71	12.87
4	1	R172321	#320 Body only (new style)	83.00	99.73
5	1	R01052	Lock screw	2.24	2.69
6	1	R172248Z	Check valve	15.88	19.08
7	1	R172317	Diverter tee 1-1/2 NPT x 2 in. slip	41.08	49.36
8	1	R172256Z	1/2 in. x Short MPT nipple	8.82	10.60
9	1	R172086Z	1/2 in. Control valve	79.55	95.59
10	2	R172272Z	1/2 in. NPT x tube 90° ELL w/nut	11.33	13.61
10	Opt.	R172274Z	Compression nut only (for R172272Z)	4.15	4.99

Item	Qty.	Part No.	Description	US List	Can. List
11	1	R172091	5/8 in. o.d. Short feeder tube	8.54	10.26
11	Opt.	R171097Z	Tube support spring	8.82	10.60
12	2	R172210	2 in. x 1-1/2 in. S x S bushing for 1-1/2 in. PVC only ¹	8.82	10.60
13	Opt.	R172037	Spa chamber	25.32	30.42
14	1	R172036Z	Silicone lubricant, 3/4 oz.	14.99	18.01
15	1	210396Z	Screen	4.86	5.84
16	1	R172134	1/2 in. NPT PVC plug	9.71	11.67
17	1	R172253Z	5/8 in. o.d. 18 in. tube (optional top feed)	8.80	10.57
18	1	R172319Z	Bottom O-ring	2.24	2.69
19	Opt.	R172288	1-1/2 in. Corrosion resistant check valve	62.15	74.68
20	1	R172048B	Standpipe adapter, Bromine	2.30	2.76

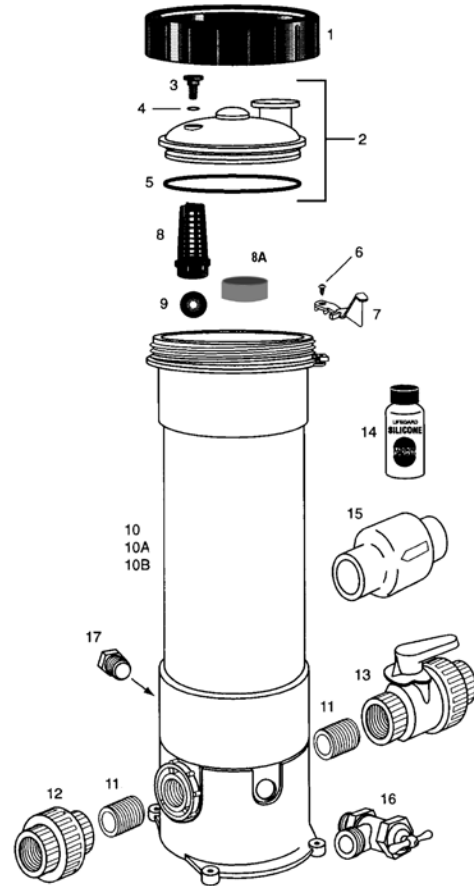
¹ Not used with 2 in. PVC.

Product on page 300.

HIGH CAPACITY AUTOMATIC FEEDERS MODELS HC-3315, HC-3330, HC-3340

REPLACEMENT PARTS

Item	Qty.	Part No.	Description	US List	Can. List
Order No.: R171215, R171230, R171240					
Model No.: HC-3315, HC-3330, HC-3340					
Description: HIGH CAPACITY AUTOMATIC FEEDER					
1	1	R172214	Lock ring	27.08	32.54
2	1	R172385D	Lid assembly complete	47.80	57.44
3	1	R172224XZ	Vent valve	8.82	10.60
4	1	R172221Z	O-ring vent valve	2.24	2.69
5	1	R172240Z	O-ring lid to housing	18.14	21.80
6	1	R172375	Lock screw	2.24	2.69
7	1	R172374	Lock spring	8.82	10.60
8	1	R175251	Screen	8.92	10.72
8A	1	R171919	Check Valve Seat	CALL	CALL
9	1	R172435	Check ball	2.30	2.76
11	2	R270484	1 in. Close nipple	8.82	10.60
12	1	R270531	1 in. Threaded union	27.68	33.26
13	1	R172439	Control valve	128.02	153.83
14	1	R172036Z	Silicone lubricant, 3/4 oz.	14.99	18.01
15	Opt.	R172288	1-1/2 in.-2 in. Check valve	62.15	74.68
16	1	R175009	Hose Bib w/t Handle 1/2 in.	27.24	32.73
17	1	R172134	1/2 in. threaded plug	9.71	11.67
NOT SHOWN					
		R172082	Flow rate indicator	CALL	CALL



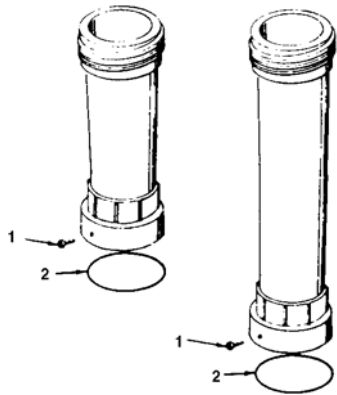
CALIFORNIA PROPOSITION 65 WARNING
 ⚠️ **WARNING:** Cancer and Reproductive Harm.
 ⚠️ **AVERTISSEMENT:** Peut Causer le Cancer et des Dommages au Système Reproducteur.
 ⚠️ **ADVERTENCIA:** Cáncer y Daño Reproductivo.
www.p65warnings.ca.gov PK22073-A

Product on page 300.

*"Sanitizer" is an industry term of art and is not intended to imply any antimicrobial capabilities.

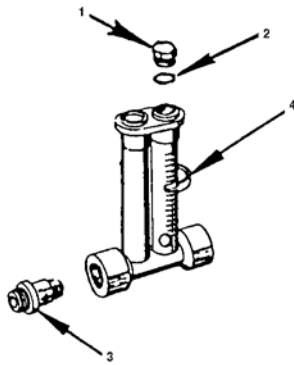
EXTENSIONS / DISPENSERS / FLOW INDICATORS

REPLACEMENT PARTS

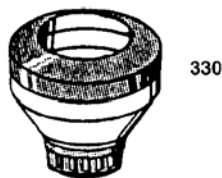


R172087

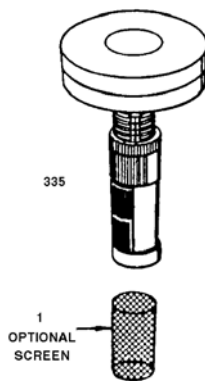
R172283



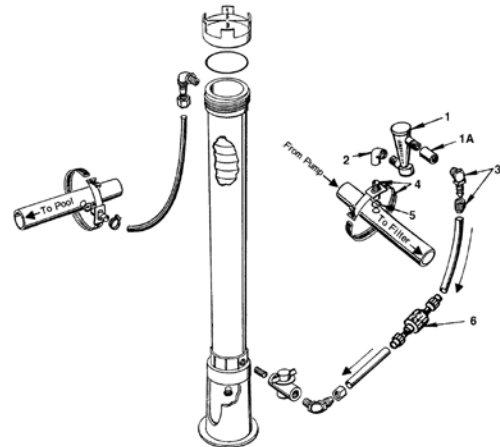
R172080Z



R171086



R171090



R172627

Item	Qty.	Part No.	Description	US List	Can. List
Order No.:		R172087 10 IN. EXTENSION COMPLETE			
Order No.:		R172283 20 IN. EXTENSION COMPLETE			
1	1	R172078	Lockscrew (bottom collar)	2.24	2.69
2	1	R172009Z	O-ring	10.71	12.87
Order No.:		R172080Z Description: FLOW INDICATOR			
1	1	R172392	Access plug 1/4 in. MPT	8.82	10.60
2	1	R172393	O-ring	8.82	10.60
3	1	R172020	Check valve	7.27	8.74
4	1	R172235	Marker clip	9.07	10.90
Order No.:		R172627 Description: CORROSION RESISTANT FLOW INDICATOR			
1	1	R172276	Commercial flow indicator	107.97	129.74
1A	1	R172313	1/2 in. Coupling (included with flow indicator)	9.07	10.90
2	1	R270422	1/2 in. x 90° Elbow FPT	9.07	10.90
3	1	R172272Z	1/2 in. x 90° NPT x tube fitting with nut	11.33	13.61
4	1	R172628	Saddle clamp with inlet fitting (threaded)	38.07	45.74
5	1	R172263Z	Saddle gasket	3.31	3.98
6	1	R172324	1/2 in. Corrosion resistant check valve. Tube x tube	CALL	CALL
Order No.:		R171086 Model No.: 330			
Description:		FLOATING DISPENSER			
1	1	R18729B	Lid only (new style – fits 'B' body)	8.82	10.60
Order No.:		R171130 Description: SPLASHER POOL/SPA DISPENSER			
2.92	3.51	R18902	Cap	3.01	3.62
Order No.:		R171090 Model No.: 335			
Description:		SPA OR SMALL POOL FLOATING DISPENSERS			
1	1	R18855	Screen	4.99	6.00
1	1	R18819	Lock ring	8.61	10.35

CALIFORNIA PROPOSITION 65 WARNING

⚠️ **WARNING:** Cancer and Reproductive Harm.
 ⚠️ **AVERTISSEMENT:** Peut Causer le Cancer et des Dommages au Système Reproducteur.
 ⚠️ **ADVERTENCIA:** Cáncer y Daño Reproductivo.
www.p65warnings.ca.gov PN 200714

Product on page 301.