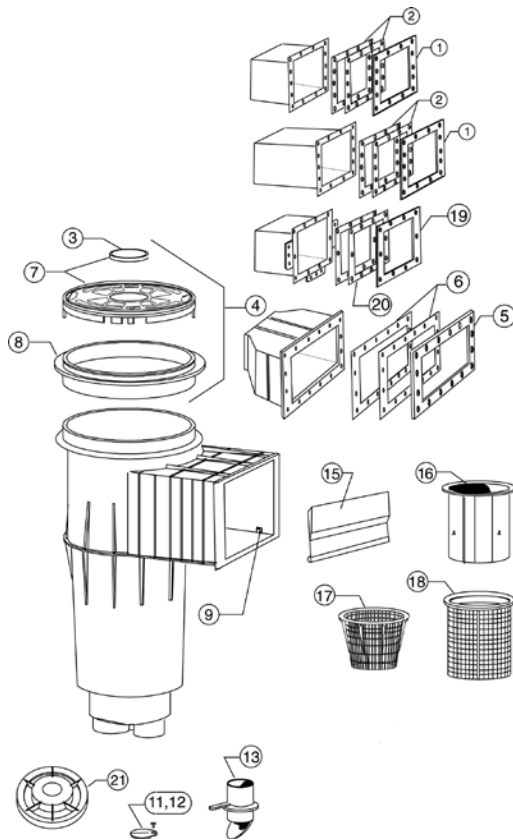


# WHITE GOODS PARTS

Product Catalog 2024

# ADMIRAL™ SKIMMERS

## REPLACEMENT PARTS



Item	Part No.	Description	US List	Can. List
<b>ADMIRAL SKIMMERS</b>				
1	85004200	Frame, sealing liner, white std. 12 hole pattern	32.07	38.54
1	85004211	Frame, sealing liner, black std. 12 hole pattern	32.07	38.54
1	85004213	Frame, sealing liner, gray std. 12 hole pattern	32.07	38.54
2	85001600	Gasket set, liner, std. 12 hole pattern	45.74	54.96
3	510161	Disk, logo	7.79	9.36
4	85000400	Lid/ring seat, complete, white	71.59	86.02
4	85000411	Lid/ring seat, complete, black	60.10	72.22
4	85018000	Lid/ring seat, complete, tan	93.00	111.75
5	85007600	Frame, sealing liner, wide mouth, white	CALL	CALL
6	85007700	Gasket, sealing liner, wide mouth (2), white	59.85	71.92
7	85007400Z	Lock down lid, white	54.52	65.51
7	85007411	Lock down lid, black	40.35	48.48
7	85007413	Lock down lid, gray	39.98	48.04
7	85007430	Lock down lid, tan	49.19	59.11
8	85000600	Ring seat only, 9 in. diameter, white	23.69	28.47
8	85017900	Ring seat only, 9 in. tan	30.22	36.31
9	85017500	Pivot tab for flap weir	1.86	2.23

Item	Part No.	Description	US List	Can. List
11	85002400	Trimmer valve plate, residential	8.36	10.05
12	98204400	Screw for trimmer plate, 10-24 x 1/2 in.	3.68	4.42
13	85002600	Vari-flo control insert only	18.10	21.75
15	85001500	Flap weir	45.74	54.96
16	R38013B	Floating weir, circular	24.96	29.99
17	85014500	Basket, tapered	38.33	46.06
17	85014600	Basket, tapered (S-20 Model Only)	20.70	24.87
18	R38013AZ	Basket, for floating weir	37.97	45.62
19	85000300	Frame, liner, American 10 hole pattern	76.54	91.97
20	81111800	Gasket set, large 10 hole pattern, w/ dbl. wall	24.33	29.23
20	81111700	Gasket set, large 10 hole pattern, w/o dbl. wall	24.33	29.23
21	85015200	Equalizer assembly	71.23	85.59
<b>NOT SHOWN</b>				
	98202600	Screw, sealing <sup>1</sup>	CALL	CALL
	98202700	Screw, sealing <sup>1</sup>	CALL	CALL
	98202900	Screw, sealing <sup>2</sup>	2.93	3.52
	98207200	Screw, sealing <sup>2</sup>	CALL	CALL
	98203000	Screw <sup>2</sup>	3.43	4.12
	85008500	Screw kit, American 10 hole pattern	CALL	CALL
	85008600	Screw kit, American 10 hole pattern, extra long	32.31	38.82
	85008700	Screw kit, std. 12 hole pattern	32.31	38.82
	85008800	Screw kit, std. 12 hole pattern, extra long	32.31	38.82
	85015100	O-ring, skimmer bottom	12.84	15.43
	355330	O-ring, equalizer	2.73	3.28
	85016600Z	Rubber stopper, flap weir	8.33	10.01
	98213000	Screw, 8-32 x 5/8 in. commercial lid	2.94	3.53
	98208500	Washer, gum commercial lid	3.06	3.68
	85014700	Handle, basket	8.28	9.95
	85007200	Angle bracket	CALL	CALL
	85012800	Track-VF skimmer	CALL	CALL
	85014200	Trimmer, equalizer	CALL	CALL
	85009500	Skimmer Lid (Old Style)	42.60	51.19

<sup>1</sup> Used on skimmers manufactured before 2-1-76.

<sup>2</sup> Used on skimmers manufactured after 2-1-76.

CALIFORNIA PROPOSITION 65 WARNING

⚠ **WARNING:** Cancer and Reproductive Harm.  
 ⚠ **AVERTISSEMENT:** Peut Causer le Cancer et des Dommages au Système Reproducteur.  
 ⚠ **ADVERTENCIA:** Cáncer y Daño Reproductivo.

www.p65warnings.ca.gov. PH02071A

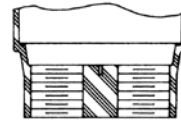
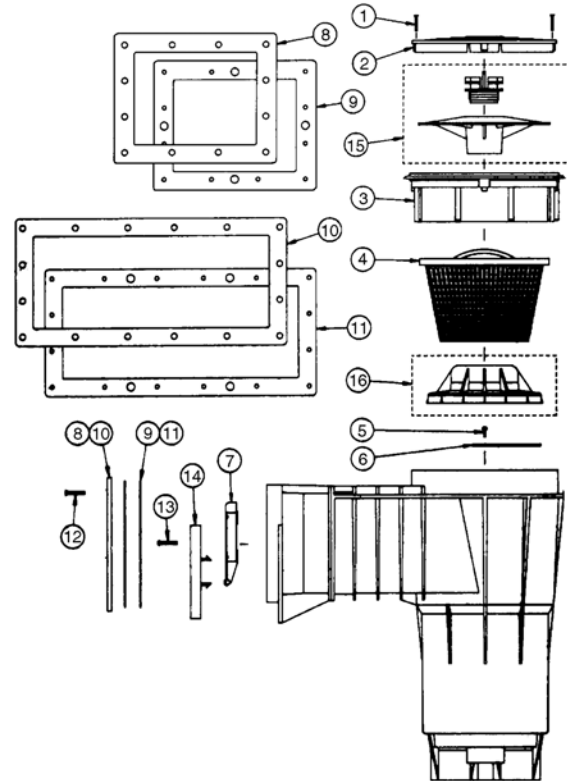
Product on pages 324–325.

Replacement baskets on page 194.

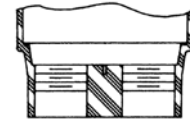
# BERMUDA™ SKIMMERS

## REPLACEMENT PARTS FOR GUNITE & VINYL LINER SKIMMERS

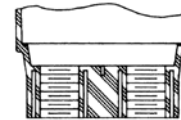
Item	Part No.	Description	US List	Can. List
<b>BERMUDA SKIMMERS</b>				
1	516242	Screw, No.8-32 x 1 in. SS, 2 req.	2.09	2.51
2	516215	Deck lid, white	40.35	48.48
2	516216	Deck lid, tan	40.35	48.48
2	516306	Deck lid, black	40.35	48.48
3	516259	Deck collar, vinyl, white	44.57	53.56
3	516260	Deck collar, vinyl, tan	47.68	57.29
3	516307	Deck collar, vinyl, black	53.83	64.68
3	516253	Deck collar, gunite, white	35.63	42.81
3	516258	Deck collar, gunite, tan	41.60	49.99
3	516329	Deck collar, gunite, black	45.54	54.72
4	516112Z	Basket	43.86	52.70
5	516243	Screw, No.8 x 1/2 in. SS	0.49	0.59
6	516228	Trimmer plate	8.36	10.05
7	516252Z	Weir gate assembly, white	33.03	39.69
7	516315	Weir gate assembly, black	36.88	44.32
8	516264	Face plate kit, standard throat, white	132.75	159.51
8	516324	Face plate kit, standard throat, black	98.10	117.88
9	552566	Gasket, standard throat, 2 req.	11.04	13.27
10	516265	Face plate kit, widemouth throat, white	132.27	158.94
10	516318	Face plate widemouth, black	141.09	169.53
11	516231	Gasket, widemouth throat, 2 req.	17.22	20.69
12	516345	Screw, No.12-8 x 1-1/4 in. SS, std. face plate	CALL	CALL
13	516241	Screw, No.12-8 x 1-1/4 in. SS, 4 req.	8.36	10.05
14	516237	Flange spacer, 3 req.	8.36	10.05
<b>OPTIONS</b>				
15	506161	Vacuum plate assembly	36.20	43.50
16	506160	Float valve assembly	95.09	114.26
16	195829	2 in. O-ring style plug	12.84	15.43
16	192323	2 in. O-ring for 195829 plug	9.73	11.69
16	191474	1-1/2 in. O-ring for 191368 plug	1.36	1.63
16	506162	Equalizer valve assembly	73.14	87.89
<b>NOT SHOWN</b>				
	516254	Lid/collar set, white	123.79	148.75
	516328	Lid/collar set, black	123.79	148.75
	516261	Lid/collar set, tan	123.79	148.75



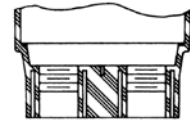
2 in. NPSM Thread



2 in. NPSM Thread  
2 in. Slip



1-1/2 in. NPSM Thread



1-1/2 in. NPSM Thread  
1-1/2 in. Slip

CALIFORNIA PROPOSITION 65 WARNING  
 ⚠️ **WARNING:** Cancer and Reproductive Harm.  
 ⚠️ **AVERTISSEMENT:** Peut Causer le Cancer et des Dommages au Système Reproducteur.  
 ⚠️ **ADVERTENCIA:** Cáncer y Daño Reproductivo.  
 www.p65warnings.ca.gov. PR00116A

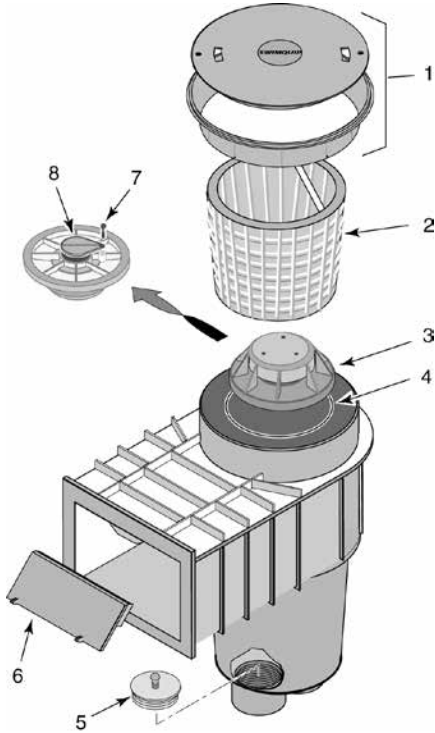
<sup>1</sup> For skimmers manufactured after 2/1/93.

Product on pages 326–327.

Replacement baskets on page 194.



# U-3 SKIMMER REPLACEMENT PARTS



<sup>1</sup> For use on Residential U-3 Skimmer Models. Must purchase if skimmer does not come with a float.

<sup>2</sup> For Use on Vinyl Liner Skimmers.

<sup>3</sup> For skimmers purchased after July 2012.



CALIFORNIA PROPOSITION 65 WARNING  
**⚠️ WARNING:** Cancer and Reproductive Harm.  
**⚠️ AVERTISSEMENT:** Peut Causer le Cancer et des Dommages au Système Reproducteur.  
**⚠️ ADVERTENCIA:** Cáncer y Daño Reproductivo.  
[www.p65warnings.ca.gov](http://www.p65warnings.ca.gov)

Item	Part No.	Description	US List	Can List
<b>U-3 SKIMMER PARTS</b>				
1	08650-0169	Lid and Collar - White (Model 09655-2403, 09655-2404)	42.60	51.19
1	08650-0159	Lid and Collar - Tan (Model 09655-1403, 09655-1404)	51.20	61.52
1	08650-0169C	Lid and Collar (Gray)	38.92	46.77
2	08650-0007Z	Basket and Handle	17.22	20.69
3	08650-0079	Float Assembly with O-Ring <sup>1</sup>	50.45	60.62
4	35505-1273	Float O-Ring Only <sup>1</sup>	26.68	32.06
5	08655-0017	Check Valve <sup>1</sup>	CALL	CALL
6	08650-0022	Hinged Weir Assembly	39.36	47.29
6	516442 <sup>3</sup>	Hinged Weir Assembly - Brite white	CALL	CALL
7	37207-0027	Screw, #8 x 1/2 in. <sup>1</sup>	6.20	7.45
8	08650-0048Z	Trimmer Plate <sup>1</sup>	9.53	11.45

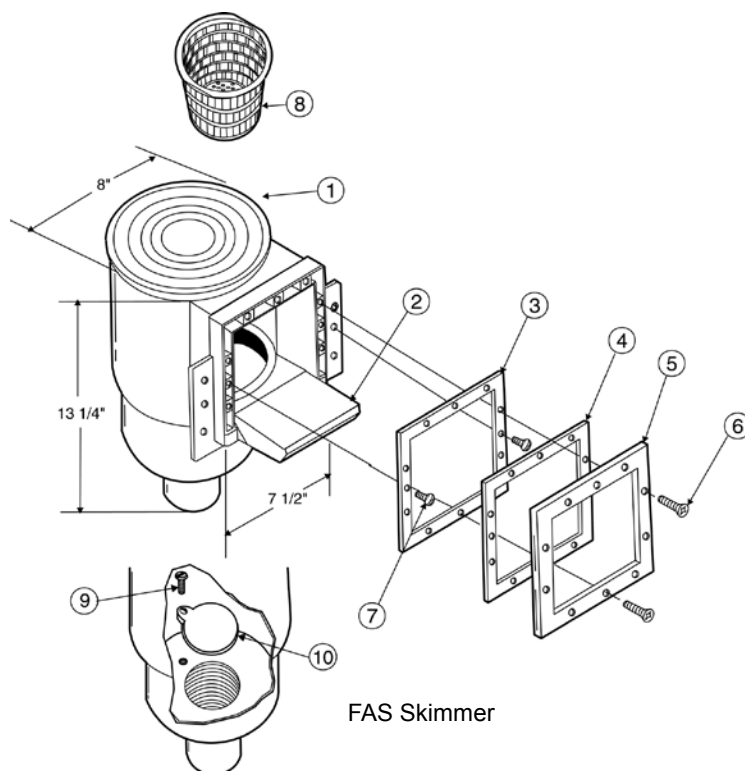
<b>NOT SHOWN</b>				
	37207-0825	Screw, #8 x 3/8 in. Pan Head	6.20	7.45
	08650-0018	Weir Bumper	8.39	10.08
	08650-0067	Basket Handle Only	14.90	17.90
	U78-820P	Reducer, 2 x 1-1/2 in. NPT (Model 09655-1403, 09655-2403)	19.77	23.76
	U78-858P	Reducer, 2 x 1-1/2 in. Slip (Model 09655-1404, 09655-2404)	CALL	CALL
	U9-366	Gasket 2	11.24	13.51
	37416-0004	Screw, #12-14 x 1 in. Flat Head (Model 09655-1404, 09655-2403, 09655-2404)	1.52	1.83
	37416-0005	Screw, #12-14 x 1-1/2 in. Flat Head (Model 09655-1403)	CALL	CALL
	U36-105SS	Nut, Hex #10-24 <sup>2</sup>	CALL	CALL
	WC2-8P	Face Plate <sup>2</sup>	44.82	53.86
	09655-0010	Skimmer Spacer Block <sup>2</sup>	CALL	CALL
	08650-0042	Vacuum Plate <sup>1</sup>	36.49	43.85
	WC37-503P	Skimmer Extension Collar <sup>2</sup>	49.99	60.07

Item	Part No.	Description	US List	Can. List
<b>U-3 SKIMMER LIDS AND COLLARS</b>				
1	08650-0058	Lid Only (White)	35.35	42.48
1	08650-0158	Lid Only (Tan)	35.35	42.48
1	08650-0058C	Lid Only (Gray)	36.40	43.74
2	08650-0025	Collar Only (White)	34.44	41.38
2	08650-0125	Collar Only (Tan)	34.44	41.38
2	08650-0025C	Collar Only (Gray)	CALL	CALL
3	08650-0069	Hardware	6.15	7.39

Product on pages 328–329.

# SKIMMERS FOR ABOVEGROUND POOLS

## REPLACEMENT PARTS



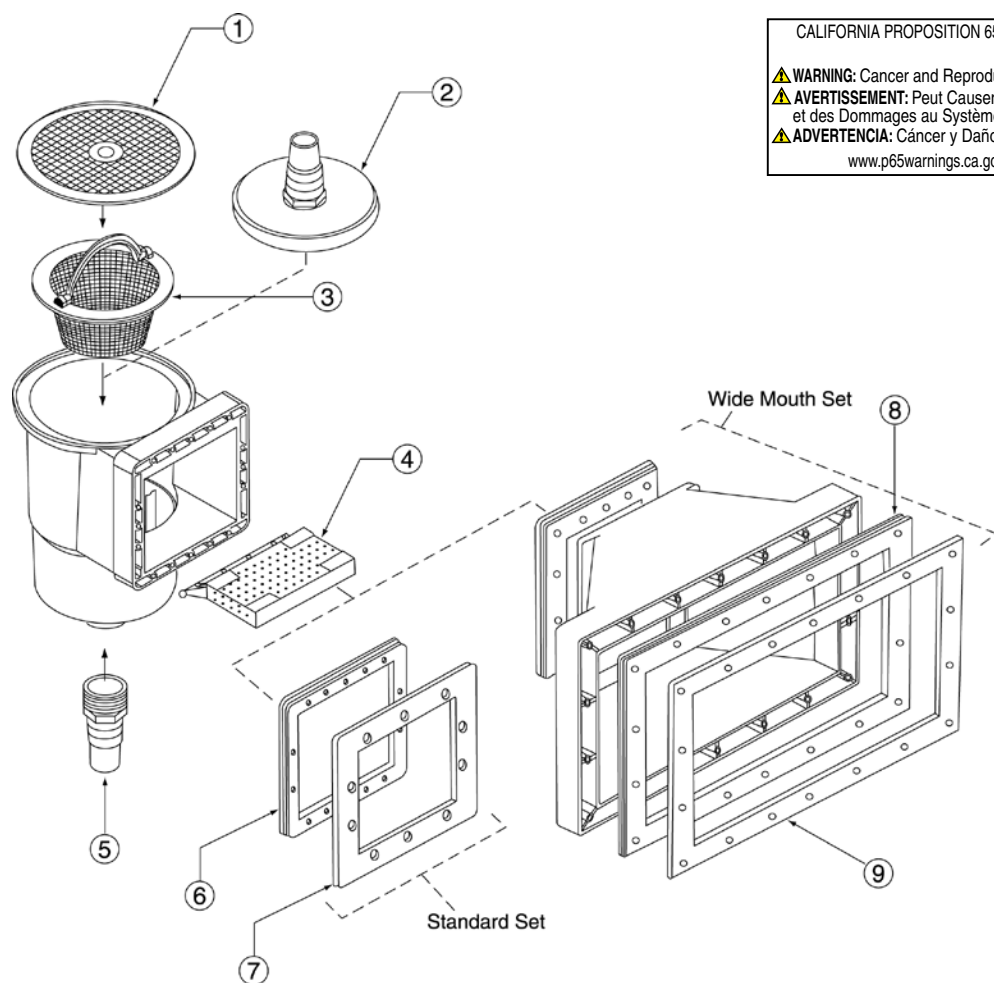
FAS Skimmer

Item	Part No.	Description	US List	Can. List
<b>FAS 100® SKIMMERS</b>				
1	85004700	Lid for optional top access	23.55	28.30
2	85003200	Flap weir	56.40	67.77
3	85003300	Gasket, sealing rear (thick)	11.01	13.23
4	85003400	Gasket, sealing front	11.01	13.23
5	85004000	Sealing frame	20.73	24.91
6	98207200	Screw, sealing 13-16 x 1-1/4 in. high-low, XL	CALL	CALL
6	98202900	Screw, SS sealing phil. 13-16 x 1 in., high-low fh.	2.93	3.52
7	98203000	Screw, SS retainer slot. 13-16 x 3/4 in. high-low pph.	3.43	4.12
8	85003900	Basket	22.03	26.47
9	98204400	Screw, SS 10-24 x 1/2 in. pph. for trimmer plate	3.68	4.42
10	85009600	Plate, trimmer	7.51	9.02
<b>NOT SHOWN</b>				
	85002800	Plate, vacuum adapter	11.14	13.39
	510166	Hose adapter, 1-1/2 in. MIPT x 1-1/4 in.	CALL	CALL
	85009700	Screw kit, std.	32.31	38.82
	85009800	Screw kit, extra long screws	32.31	38.82
	85017600	Pivot tab, for flap weir	1.86	2.23

CALIFORNIA PROPOSITION 65 WARNING  
 ⚠️ **WARNING:** Cancer and Reproductive Harm.  
 ⚠️ **AVERTISSEMENT:** Peut Causer le Cancer et des Dommages au Système Reproducteur.  
 ⚠️ **ADVERTENCIA:** Cáncer y Daño Reproductivo.  
[www.p65warnings.ca.gov](http://www.p65warnings.ca.gov) PA 20251A

# HYDROSKIM SKIMMERS

## REPLACEMENT PARTS



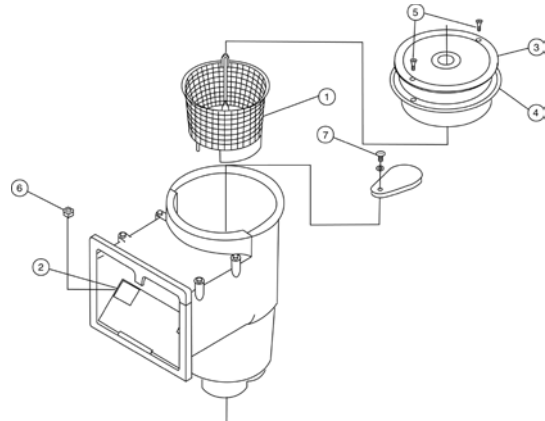
CALIFORNIA PROPOSITION 65 WARNING  
 ⚠️ **WARNING:** Cancer and Reproductive Harm.  
 ⚠️ **AVERTISSEMENT:** Peut Causer le Cancer et des Dommages au Système Reproducteur.  
 ⚠️ **ADVERTENCIA:** Cáncer y Daño Reproductivo.  
[www.p65warnings.ca.gov](http://www.p65warnings.ca.gov) PWS2017A

Item	Part No.	Description	US List	Can. List
<b>HYDROSKIM SKIMMERS</b>				
1	513333	Lid, white	7.51	9.02
1	513335	Lid, gray	7.51	9.02
2	513351	Vacuum plate	8.32	10.00
3	513330	Basket	7.51	9.02
4	513352	Weir door	7.51	9.02
5	510166	Hose adapter	CALL	CALL
6	513331	Gasket	5.64	6.78
7	513339	Sealing frame, white	8.83	10.61
7	513340	Sealing frame, black	CALL	CALL
7	513341	Sealing frame, gray	8.83	10.61
8	513332	Gasket, wide mouth	9.35	11.23
9	513345	Sealing frame, wide mouth, white	14.72	17.69
9	513346	Sealing frame, wide mouth, black	CALL	CALL
9	513347	Sealing frame, wide mouth, gray	14.72	17.69

# SKIMCLEAN™ SKIMMERS

## REPLACEMENT PARTS

Item	Part No.	Description	US List	Can. List
<b>SKIMCLEAN SKIMMERS</b>				
1	513036	Basket	55.18	66.30
2	513027	Weir	38.31	46.03
3	513030	Deck lid	43.47	52.23
4	513031	Deck ring	32.90	39.53
5	512149	Screw, No. 6-32 x 7/16 in. SS, 2 req.	CALL	CALL
6	192106	Nut, 1/4 in., 20 SS, 2 req.	CALL	CALL
7	98204400	Screw, No. 10-24 x 12 in.	3.68	4.42

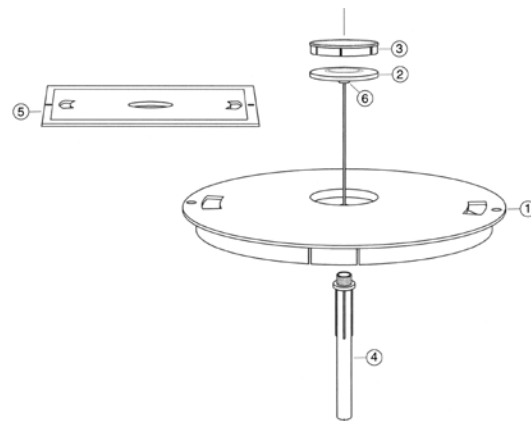


Replacement baskets on page 194.

# SKIMMER LID WITH THERMOMETER

## REPLACEMENT PARTS

Item	Part No.	Description	US List	Can. List
<b>SKIMMER LID</b>				
1	L1RW	SwimQuip, Swimrite, Jacuzzi®, New Style Hayward®, 9-7/8 in., white	CALL	CALL
1	L1RG	Gray	CALL	CALL
1	L1RB	Almond	CALL	CALL
1	L2R	Baker Hydro®, 9-7/8 in., white	CALL	CALL
1	L4RW	American Products, 9-3/16 in. round, white	CALL	CALL
1	L4RG	Gray	CALL	CALL
1	L4RB	Almond	CALL	CALL
1	L5R	PacFab™, Old Style, 8-3/8 in., white	CALL	CALL
1	L6RW	PacFab, Bermuda, 9-1/4 in., white	CALL	CALL
1	L6RG	Gray	CALL	CALL
1	L6RB	Almond	49.57	59.56
2	SK	Thermometer w/ bushing	92.75	111.45
2,4	SKR	Thermometer w/ tube & bushing	111.56	134.05
3	SKC	Cap for skimmer lid, (white, almond, gray)	14.02	16.85
4	SKTU	Protector tube	18.22	21.89
5	L3R	Hayward®, square, 10 in. x 10 in., white	42.99	51.66
6	SKB	Bushing for thermometer	4.55	5.47



Jacuzzi® is a registered trademark of Jacuzzi, Inc.

Hayward® is a registered trademark of Hayward Industries, Inc.

Baker Hydro® is a registered trademark of Waterco USA DBA Baker Hydro Corp.

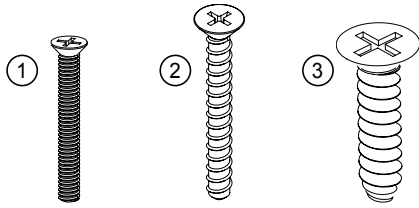
CALIFORNIA PROPOSITION 65 WARNING

⚠ **WARNING:** Cancer and Reproductive Harm.  
 ⚠ **AVERTISSEMENT:** Peut Causer le Cancer et des Dommages au Système Reproducteur.  
 ⚠ **ADVERTENCIA:** Cáncer y Daño Reproductivo.  
[www.p65warnings.ca.gov](http://www.p65warnings.ca.gov)

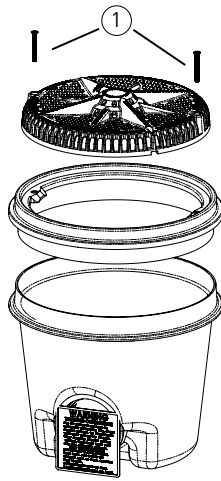
# STARGUARD® MAIN DRAINS

## REPLACEMENT PARTS

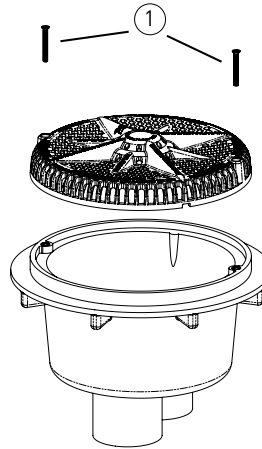
Item	Part No.	Description	US List	Can. List
<b>STARGUARD MAIN DRAINS</b>				
1	510543Z	Kit includes 2 screws	6.13	7.37
2	510583Z	Kit includes 2 screws	4.97	5.97
3	510592Z	Kit includes 8 screws	21.58	25.93
4	07017-0079	Gasket	27.74	33.33
5	500135	Vinyl ring and gasket kit	CALL	CALL



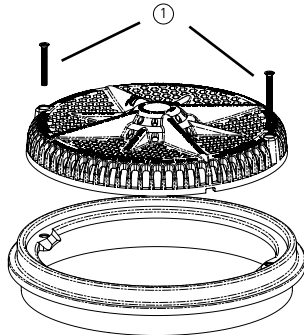
500110-500120



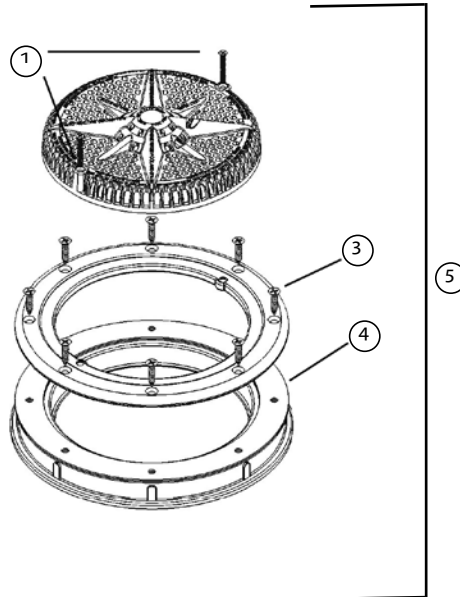
500120-500125



500100-500109  
500140-500149



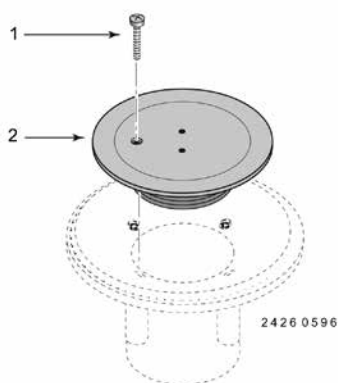
500135



CALIFORNIA PROPOSITION 65 WARNING  
 ⚠️ **WARNING:** Cancer and Reproductive Harm.  
 ⚠️ **AVERTISSEMENT:** Peut Causer le Cancer et des Dommages au Système Reproducteur.  
 ⚠️ **ADVERTENCIA:** Cáncer y Daño Reproductivo.  
[www.p65warnings.ca.gov](http://www.p65warnings.ca.gov) PN 201514

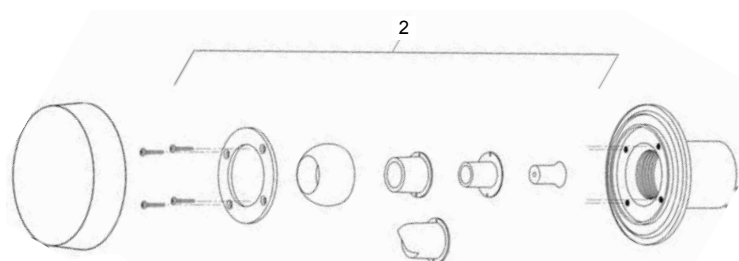


# ADJUSTABLE FLOOR INLET FITTING



Item	Part No.	Description	Qty	US List	Can. List
<b>FLOOR INLET RETURN FITTING</b>					
1	37207-0430	Screw, No. 8 x 1 in., SS	1	5.64	6.78
2	08417-0005	Cover plate, white <sup>1</sup>	1	42.52	51.09
2	08417-0005B	Cover plate, gray <sup>1</sup>	1	42.52	51.09
2	08417-0005C	Cover plate, black <sup>1</sup>	1	42.52	51.09

<sup>1</sup> To be used only as floor inlet fitting(s).



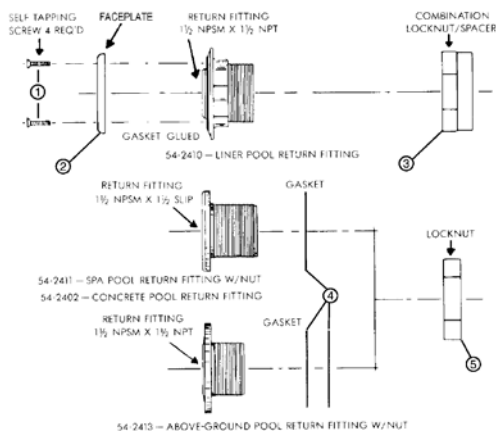
## POOL INLETS

CALIFORNIA PROPOSITION 65 WARNING  
 ⚠️ **WARNING:** Cancer and Reproductive Harm.  
 ⚠️ **AVERTISSEMENT:** Peut Causer le Cancer et des Dommages au Système Reproducteur.  
 ⚠️ **ADVERTENCIA:** Cáncer y Daño Reproductivo.  
[www.p65warnings.ca.gov](http://www.p65warnings.ca.gov) P65007A

Item	Part No.	Description	Qty.	US List	Can. List
<b>EYEBALL INLETS</b>					
1	08429-0014	Body, 08429-0000, 1-1/2 in. inlet, white	1	CALL	CALL
1	08428-0014B	Body, 08428-0100, 1-1/4 in. inlet, gray	1	CALL	CALL
2	08428-0001	Inlet Eyeball Kit, white, includes: Screw, No. 8, 32 x 1/2 in.; Face plate; Ball; nozzle - 3/4 in.; Right angle nozzle; Nozzle - 1/2 in.; Nozzle - 3/16 in.	1	CALL	CALL
2	08428-0001B	Inlet Eyeball Kit, gray, includes: Screw, No. 8, 32 x 1/2 in.; Face plate; Ball; nozzle - 3/4 in.; Right angle nozzle; Nozzle - 1/2 in.; Nozzle - 3/16 in.	1	54.66	65.68
<b>NOT SHOWN</b>					
	08428-0125	Eyeball inlet kit	1	32.12	38.60

Product on page 341.

## WALL FITTINGS

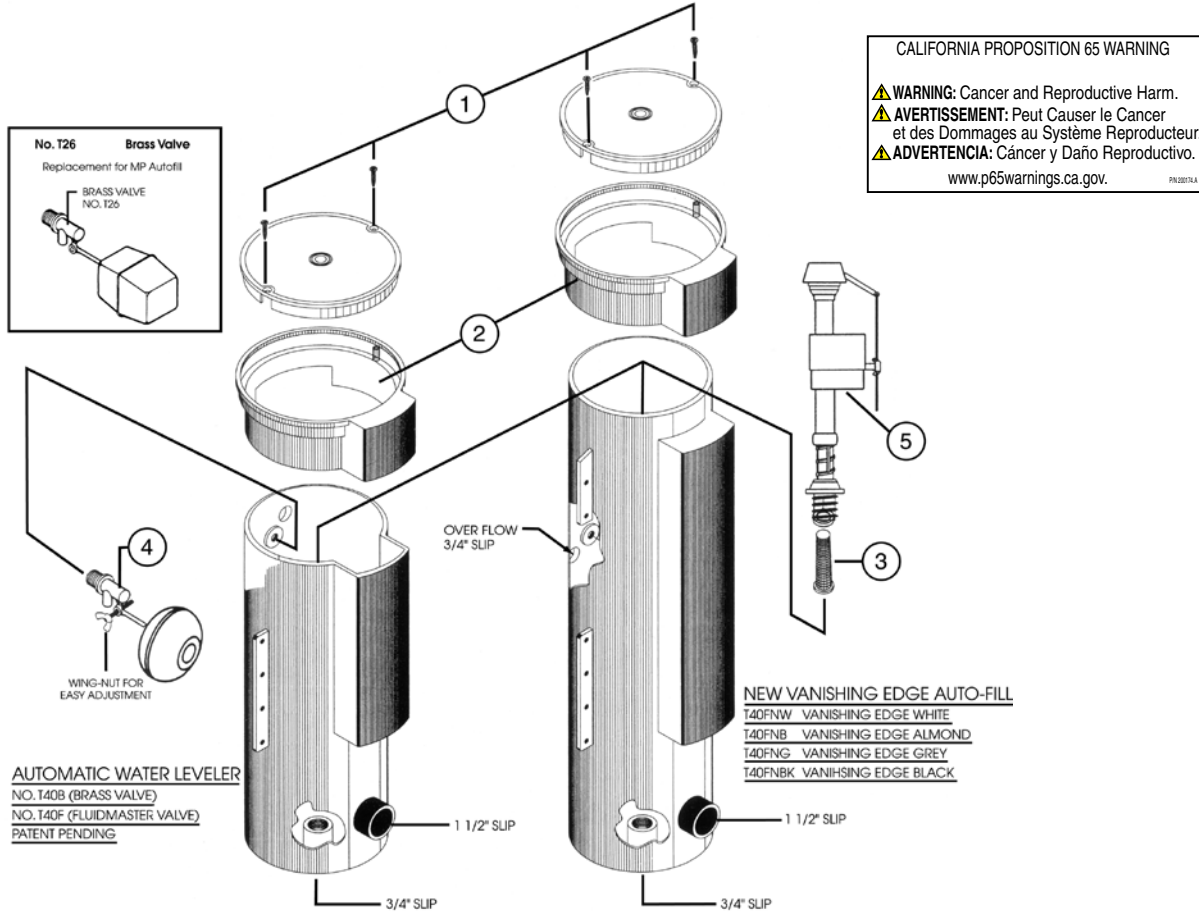


Item	Part No.	Description	US List	Can. List
<b>WALL FITTINGS</b>				
1	552472	Screw, No.12 x 1 in. flat phillips, 4 req.	CALL	CALL
2	545100	Face plate, white for 542410 / 86205100	2.08	2.50
2	545101	Face plate, black for 542420 / 86205101	2.08	2.50
2	545103	Face plate, gray for 86205103	2.08	2.50
4	552496	Cork gasket	1.62	1.95
4	552406	Gasket, 2 req.	2.09	2.51
5	154412	Locknut	15.16	18.22

Product on page 341.

# AUTOMATIC WATER FILLERS

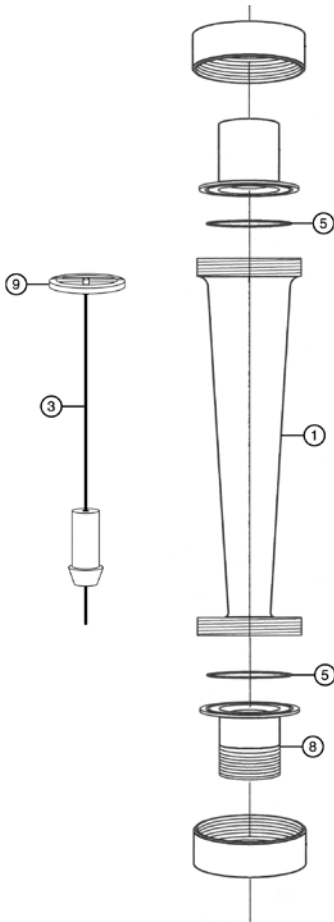
## REPLACEMENT PARTS



Item	Part No.	Description	US List	Can. List
<b>AUTOMATIC WATER FILLERS</b>				
1	T10W	AutoFill lid, with screws, white	27.48	33.02
1	T10B	AutoFill lid, with screws, almond	27.48	33.02
1	T10G	AutoFill lid, with screws, gray	27.48	33.02
1	T10BK	AutoFill lid, with screws, black	27.48	33.02
	T10DG	Autofill lid with screws, dark gray	27.47	33.01
2	T16W	AutoFill top ring, white	30.12	36.19
2	T16B	AutoFill top ring, almond	30.12	36.19
2	T16G	AutoFill top ring, gray	30.12	36.19
2	T16BK	AutoFill top ring, black	30.12	36.19
	T16DG	Autofill top ring, dark gray	30.12	36.19
3	T24	Debris screen w/ washer	12.90	15.50
4	T26	Brass valve	82.54	99.18
4	261058	Plastic valve	56.67	68.09
5	T29	Fluidmaster® valve	50.04	60.13
<b>NOT SHOWN</b>				
	370006	T-40 FW Parts Bag	106.44	127.90
	T6EXT	6 in. extension for Fluidmaster valve	CALL	CALL

# FLOWMETERS MADE FOR LIQUID APPLICATIONS

## REPLACEMENT PARTS



Item	Part No.	Description	US List	Can. List
<b>FLOWMETERS</b>				
1	FS2	Flowmeter body (2–16 GPM)	174.96	210.23
3	FSGW	Guide wire, small	43.40	52.15
5	FSO	O-ring, small	4.55	5.47
5	FLO	O-ring, large	4.19	5.03
8	FSNE	Nylon end, small	19.29	23.18
9	FSTG	Top guide support, small	22.20	26.68

CALIFORNIA PROPOSITION 65 WARNING

⚠ **WARNING:** Cancer and Reproductive Harm.  
 ⚠ **AVERTISSEMENT:** Peut Causer le Cancer et des Dommages au Système Reproducteur.  
 ⚠ **ADVERTENCIA:** Cáncer y Daño Reproductivo.

www.p65warnings.ca.gov.

PH.002714

