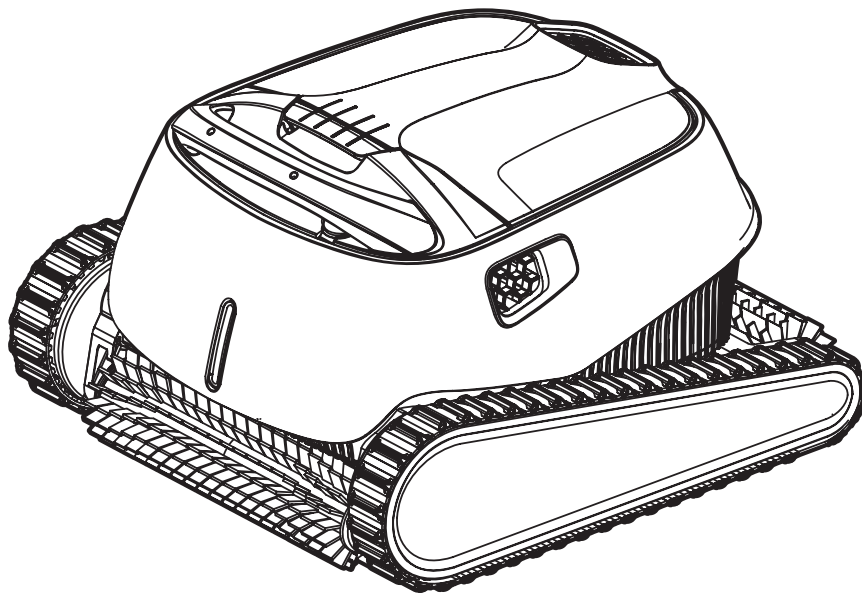




PROWLER[®] 930 (P/N 360323)

WARRIOR[®] SI (P/N 360495)

ROBOTIC INGROUND POOL CLEANER



INSTALLATION AND USER'S GUIDE

IMPORTANT SAFETY INSTRUCTIONS
READ AND FOLLOW ALL INSTRUCTIONS
SAVE THESE INSTRUCTIONS

IMPORTANT WARNING AND SAFETY INSTRUCTIONS



Important Notice:

Attention Installer: This guide contains important information about the installation, operation and safe use of this product. This information should be given to the owner and/or operator of this equipment after installation of the pool cleaner.

Attention User: This manual contains important information that will help you in operating and maintaining this pool cleaner. Please retain it for future reference. Consult Pentair with any questions regarding this equipment.



WARNING Before installing this product, read and follow all warning notices and instructions which are included.

Failure to follow safety warnings and instructions can result in severe injury, death, or property damage. Call (800) 831-7133 for additional free copies of these instructions.

Consumer Information and Safety

The pool cleaners are designed and manufactured to provide many years of safe and reliable service when installed, operated and maintained according to the information in this manual. Throughout the manual, safety warnings and cautions are identified by the “▲” symbol. Be sure to read and comply with all of the warnings and cautions.



RISK OF ELECTRICAL SHOCK OR ELECTROCUTION. Connect only to a grounding type receptacle protected by a ground-fault circuit-interrupter (GFCI). Contact a qualified electrician if you cannot verify that the receptacle is protected by a GFCI.



HAZARDOUS SUCTION. Do not play with cleaner or hose or apply to body. Can trap and tear hair or body parts. Hose can trip or entangle swimmers which could result in drowning.



Do not operate the robotic pool cleaner when there are people swimming in the pool. Hose can trip or entangle swimmers which could result in drowning.



When examining the robotic pool cleaner, disconnect the main power supply.



Keep the robotic pool cleaner out of reach of children.



Keep the robotic pool cleaner out of reach of persons with reduced physical, sensory or mental capabilities, or lack of experience and knowledge, without proper supervision and understanding of the instructions.



Only an original power cable must be used, at all times. Replaced by a robotic pool cleaner certified technician, in case of need to avoid hazard.



To reduce the risk of electrical shock, do not use extension cord to connect unit to electrical supply; provide a properly located outlet.



This product contains a chemical known to the state of California to cause cancer, birth defects or other reproductive harm.



Only a trained operator should operate the robotic pool cleaner.



To avoid hand injury, operator should keep hands away from driving belt mechanism.



Position the caddy and power supply at least 12 feet (3.5 m) from the edge of the pool during operation.



Do not bury cord - locate cord to minimize abuse from lawn mowers, hedge trimmers and other equipment.



When lifting the robotic pool cleaner, take care to prevent back injury.

General Installation Information

FCC Statement

NOTE: This equipment has been tested and found to comply with the limits for a Class B digital device, pursuant to part 15 of the FCC Rules. These limits are designed to provide reasonable protection against harmful interference in a residential installation. This equipment generates, uses and can radiate radio frequency energy and, if installed and used in accordance with the instructions, guarantees that interference will not occur in a particular installation. If this equipment does cause harmful interference to radio or television reception, which can be determined by turning the equipment off and on, the user is encouraged to try to correct interference by one or more following measures:

- Reorient or relocate the receiving antenna.
- Increase the separation between the equipment and the receiver.
- Connect the equipment into an outlet on a circuit different from that to which the receiver is connected.
- Consult the dealer or an experienced radio/TV technician for help.

Changes or modifications to this equipment not expressly approved by the party responsible for compliance (Pentair) could void the user's authority to operate this equipment.

Pre-Installation Check List

Before installing your cleaner, review and understand all warnings and safety information in this guide. Failure to follow these instructions or improper installation of the cleaner can result in damage to the pool finish or the vinyl liner, Pentair Aquatic Systems disclaims any liability for repairs or replacement to any of these structures or components of the customer's pool.

Before installing the cleaner in a vinyl liner pool:

Check liner closely for signs of deterioration or damage from age, chemicals, pool wall damage, etc. If any damage is found, have a qualified pool professional make all the necessary repairs. Also, if there are stones, roots, etc., under the liner, remove them before installing the cleaner.

Before installing the cleaner in a gunite pool or a pool that is partially or completely tiled:

Repair loose tiles and tighten any loose light rings.

Before installing the cleaner, clean your filter system:

Make sure you have cleaned the filter, including backwashing, rinsing, and emptying all baskets. A clean system is necessary for proper cleaner operation and coverage.

Before installing the cleaner, understand cleaner coverage:

The cleaner is designed to rid your pool of debris in approximately 4-6 hours. Less time could be needed, depending on the pool size. The cleaner was not designed to automatically clean steps or swimouts or to work under a solar cover. It was also not designed to do initial cleanup for a new pool or when opening your pool for the season.

AFTER installing the cleaner, make sure the cleaner is operating correctly:

The cleaner may need some minor adjustments to make sure it is operating properly so there is no damage to the pool finish. Certain vinyl liner patterns are particularly susceptible to surface wear, pattern removal, ink rubbing off of, or serious scratches to the pattern caused by objects coming into contact with the vinyl surface, including automatic pool cleaners. Pentair Aquatic Systems is not responsible for any pattern removal, abrasions or markings on vinyl liners.

IMPORTANT WARNING AND SAFETY INSTRUCTIONS

Disclaimer of Liability About your Pool and Cleaner

There are a multitude of factors that contribute to the life of your pool. These robotic pool cleaners are very passive products that will have no impact on pool life.

Please be aware that over time, deterioration, discoloration and brittleness of any pool finish can be caused separately by, or in combination with, age, an imbalance in pool water chemistry, improper installation and other factors. Robotic pool cleaners will not remove or cause wear on “good” pool plaster. In fact, the opposite is true—pool plaster will eventually cause wear on the cleaner.

The same situation holds true for vinyl-lined in-ground swimming pools, because vinyl liners are also affected by the environment and factors such as pool water chemistry, sunlight and the pool’s surroundings. Therefore over time, vinyl can become brittle and weak. In addition, vinyl-lined pools are affected by the workmanship, composition and installation of the liner and the workmanship and quality of construction of the supporting walls and pool base. These are all factors which can contribute to liner failure. The existence of any of these type of conditions in your pool is not caused by the use or operation of the cleaner. The manufacturer disclaims any liability for repairs or replacement to any of these structures or components of the customer’s pool.

The pool owner must assume all responsibility for the condition and maintenance of the pool’s surface, water and deck.

SAVE THESE INSTRUCTIONS

CUSTOMER SERVICE / TECHNICAL SUPPORT

If you have questions about ordering Pentair replacement parts, and pool products, please use the following contact information:

Customer Service

(8 A.M. to 4:30 P.M. — Eastern and Pacific Times)
 Phone: (800) 831-7133
 Fax: (800) 284-4151

Web site

Visit www.pentair.com to find information about Pentair products.*

Technical Support

Sanford, North Carolina (8 A.M. to 4:30 P.M. ET)
 Phone: (919) 566-8000
 Fax: (919) 566-8920

Moorpark, California (8 A.M. to 4:30 P.M. PT)
 Phone: (805) 553-5000 (Ext. 5591)
 Fax: (805) 553-5515

TABLE OF CONTENTS

Important Warning and Safety Instructions	i	Maintenance	7
Preparation of the Pool and Cleaner	1	LED Indicator Lights	7
Overview	1	Removing the Cleaner from the Pool	7
Cleaner Components	1	Cleaning the Filter Baskets	8
Cleaner Features	1	Periodic Filter Screen Cleaning	9
Initial Setup	1	Cleaning the Impeller	10
Caddy Assembly (Prowler 930 Only)	3	Storing the Cleaner	11
Operation	5	Troubleshooting	12
Control Panel Overview	5	Replacement Parts	13
Weekly Timer Feature	5		
Setting the Weekly Timer	5		
Cleaning Speed (Quick Clean Feature)	5		
Bluetooth Operation	6		
Downloading the Mobile App	6		
Pairing your Smartphone to the Cleaner	6		
Operating the Cleaner with Manual Drive	6		

* Translated versions of this manual are available online at / La versión en español de este manual del producto, se puede encontrar en línea a / La version française de ce manuel est disponible à :

https://www.pentair.com/en/products/pool-spa-equipment/pool-cleaners/kreepy_krauly_prowler930ingroundpoolcleaner.html

PREPARATION OF THE POOL AND CLEANER

Overview

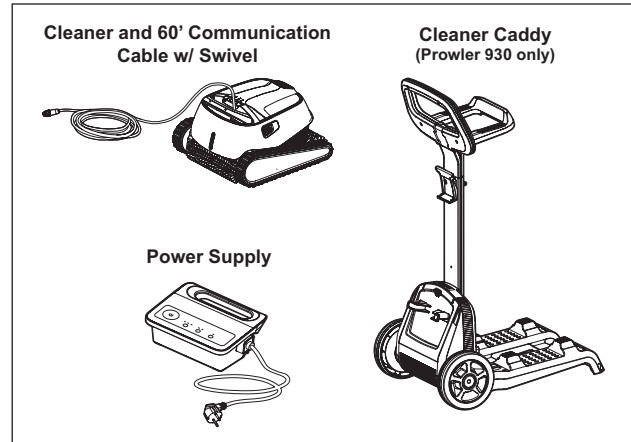
Prowler® 930 and Warrior® SI Robotic Pool Cleaners are designed to scrub, vacuum, and filter (including the waterline) your inground pool. Before operating this product, be sure to read and follow all warning and safety instructions on pages i-ii.

Cleaner Components:

- Cleaner and 60 ft. Communication Cable with Swivel
- Power Supply
- Cleaner Caddy (Prowler 930 only)

Cleaner Features:

- Weekly Timer
- Wall and Waterline Scrubbing
- Top Loading Basket Filtration
- Quick Clean
- *Bluetooth*® Wireless Technology Connectivity
- “Prowler 930” Mobile App for Smartphones



Initial Setup

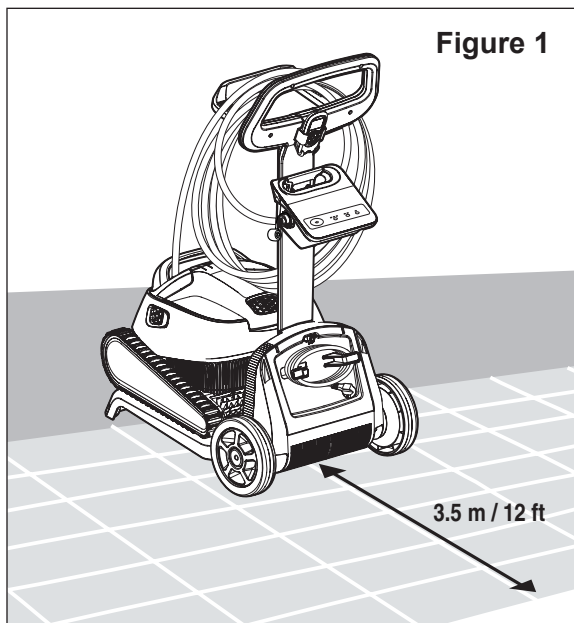
Before using the cleaner for the first time, perform the following procedures:

STEP 1:

Power Supply or Caddy Placement

The Prowler 930 cleaner comes with a cleaner caddy that will need to be assembled before continuing further into this section. See page 3 for Caddy Assembly instructions. The Warrior SI does not include a caddy.

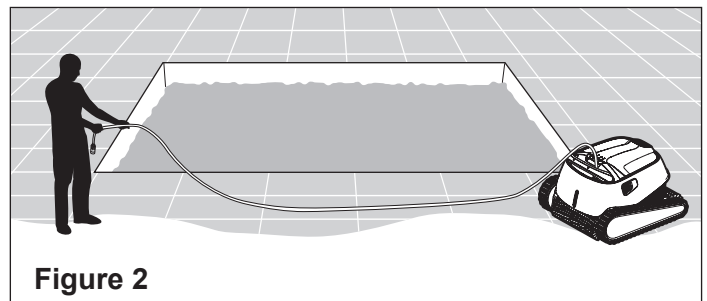
Position the caddy or power supply at least 12 feet (3.5 m) from the edge of the pool. See **Figure 1**.



STEP 2:

Unroll Communication Cable

Unroll the communication cable and stretch it out completely so that it has no kinks. See **Figure 2**.



STEP 3: Connect Power Supply to Cleaner

Connect the communication cable to the power supply.

Ensure the connector notch is lined up with the corresponding groove in the socket on the power supply. Turn the cable connector clockwise to lock the cable into the power supply connection. See **Figure 3**.

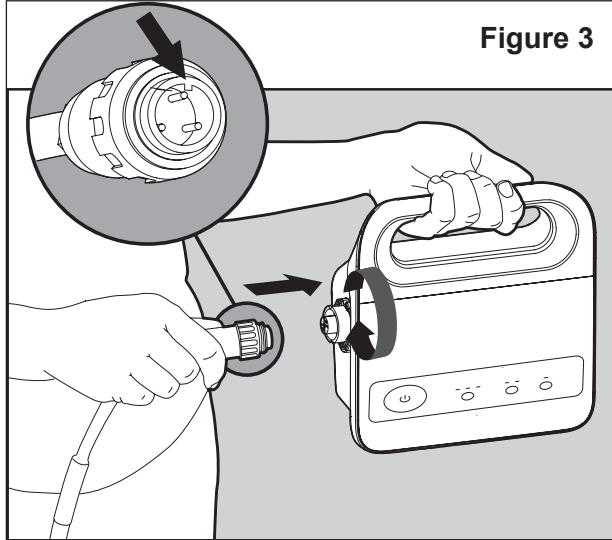


Figure 3

STEP 4: Connect Power Supply to Power Source

Connect the power supply to the electrical source/outlet. See **Figure 4**.

⚠ WARNING RISK OF ELECTRICAL SHOCK OR ELECTROCUTION: Connect only to a grounding type receptacle protected by a ground-fault circuit-interrupter (GFCI). Contact a qualified electrician if you cannot verify that the receptacle is protected by a GFCI.

⚠ WARNING To reduce the risk of electrical shock, do not use extension cord to connect unit to electrical supply; provide a properly located outlet.

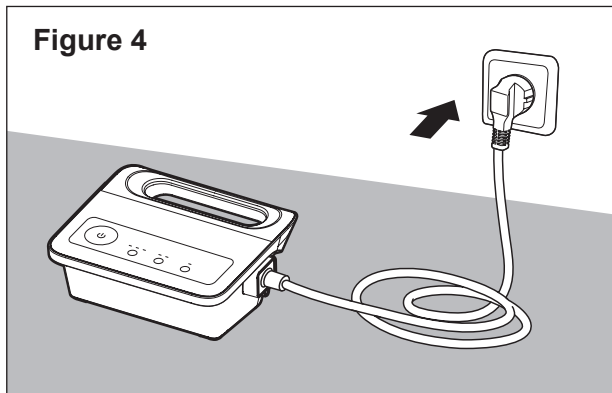


Figure 4

STEP 5: Placing the Cleaner in the Pool

⚠ CAUTION Do not switch the pool cleaner to "ON" if it is not fully immersed in water. Operating the cleaner out of water will immediately cause severe damage and will result in loss of warranty. Do not leave the cleaner in the pool all the time. Always remember to turn the power supply "OFF" and unplug it from the power outlet before removing the cleaner from the pool.

1. Be sure the power supply is positioned at least 12 feet (3.5 m) from the pool.
2. Lower the cleaner into the pool by the handle (see **Figure 5**).

Note: Never lower the cleaner into the pool by the communication cable. This puts an unnecessary strain on the cable and could result in damage to the cleaner.

3. Gently tilt the cleaner from side to side or turn upside down to release trapped air. See **Figure 6**.

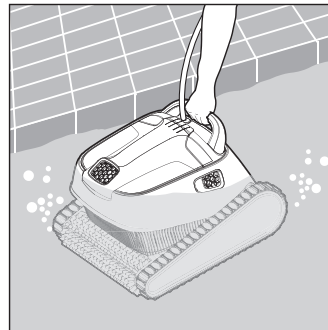


Figure 5

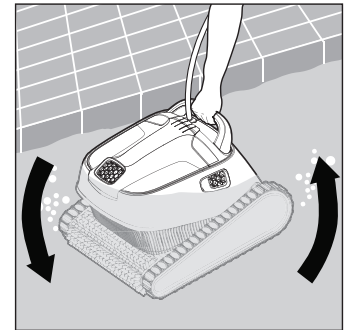


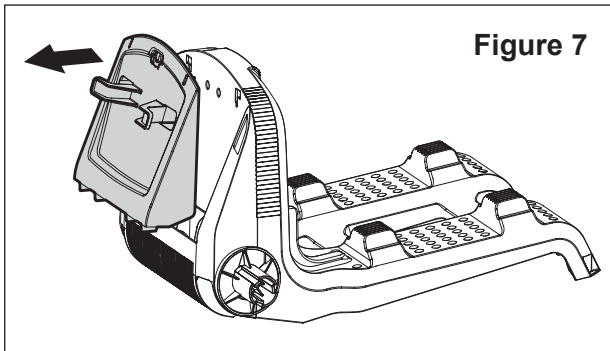
Figure 6

Caddy Assembly (Prowler 930 Only)

The following section contains instructions for assembling the Prowler 930 cleaner caddy:

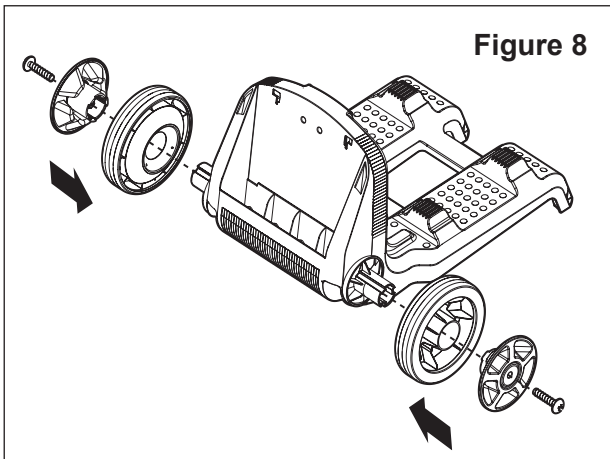
STEP 1: Removing the Communication Cable Holder

1. While holding the caddy chassis in place, pull the top of the communication cable holder straight out until it snaps loose. See **Figure 7**.
2. Place the attachment to the side. It will be reinstalled in Step 4.



STEP 2: Installing the Caddy Wheels

1. Using two of the shorter Phillips-head screws provided with the caddy, secure both caddy wheels to the caddy chassis. See **Figure 8**.

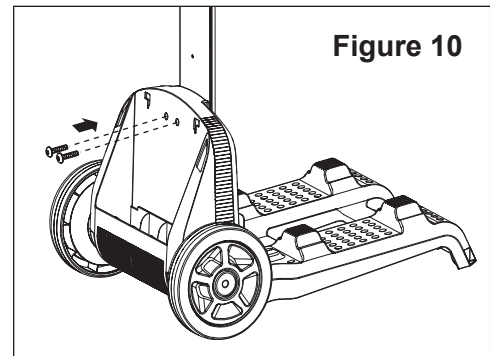
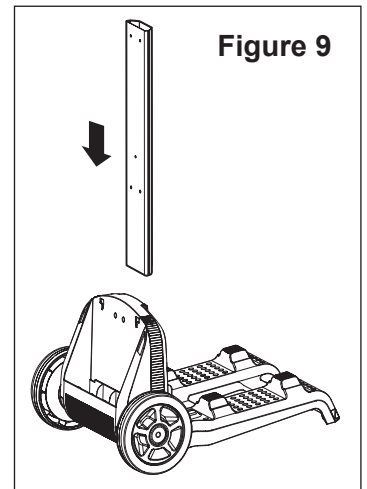


STEP 3: Installing the Handle Support

1. Slide the handle support into its groove on the caddy chassis and push it firmly down into its seat in the chassis. See **Figure 9**.

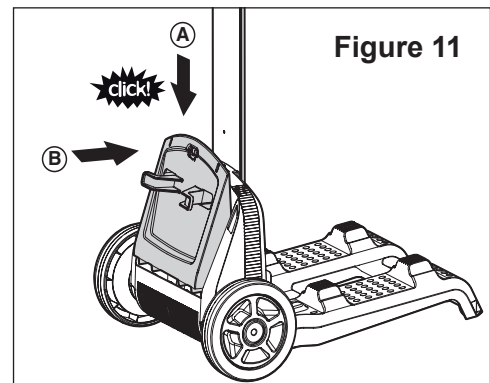
Note: The handle support seats tightly into the chassis and substantial force may be needed. Ensure the support is seated all the way into the chassis, otherwise the securing screws will not line up correctly.

2. Using two of the shorter Phillips-head screws provided with the caddy, secure the caddy chassis to the handle support. See **Figure 10**.



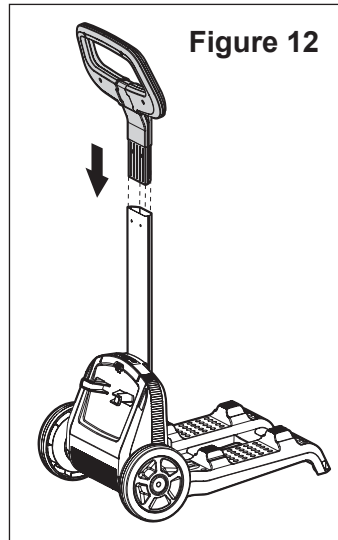
STEP 4: Reinstall the Communication Cable Holder

1. Slide the bottom of communication cable holder into its seat on the front of the caddy chassis.
2. While holding the caddy chassis in place, push the top of the attachment in until it clicks into place. See **Figure 11**.



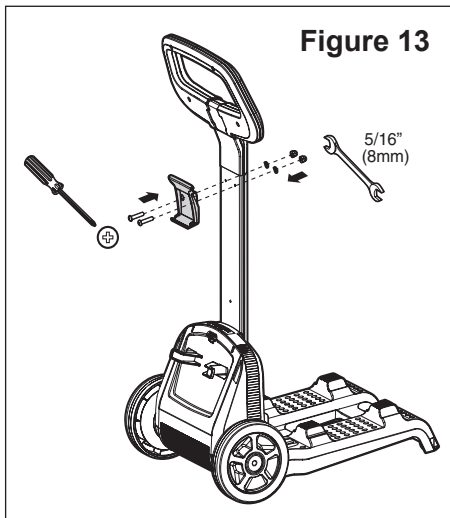
STEP 5:
Install the Caddy Handle

1. Insert the caddy handle into the handle support. See **Figure 12**.
2. Push the handle into its support as far as possible.



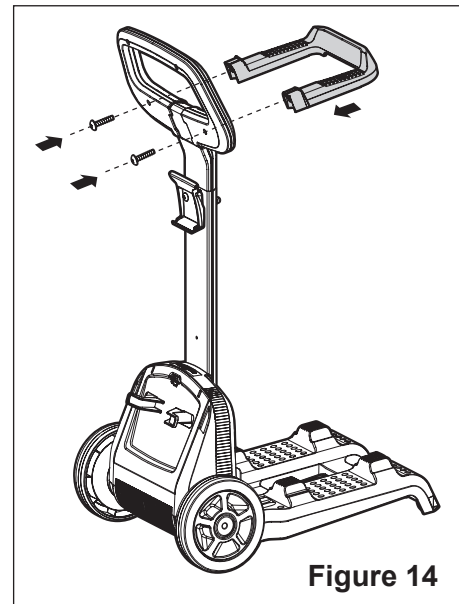
STEP 6:
Install the Power Supply Clip

1. Using the two longer Phillips-head screws, two washers and two 5/16" (8mm) nuts provided with the caddy, install the power supply hook to the caddy's handle support. See **Figure 13**.



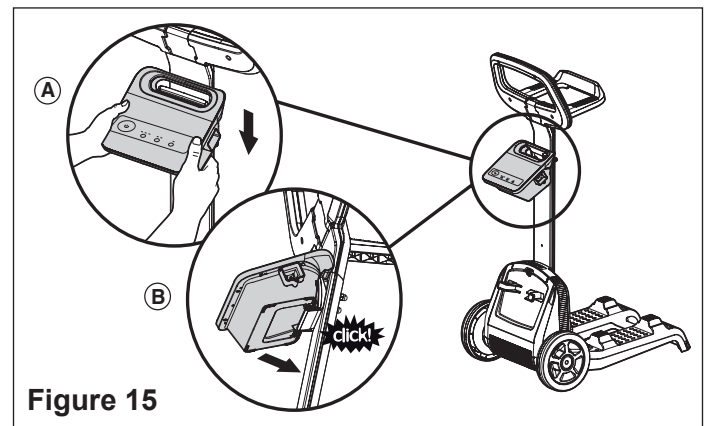
STEP 7:
Install the Power Cable Holder

1. Using the final two shorter Phillips-head screws provided with the caddy, secure the power cable holder to the caddy handle. See **Figure 14**.

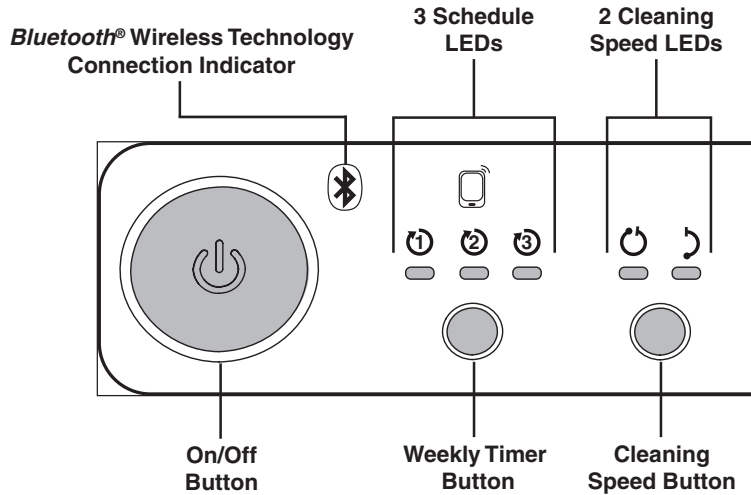


STEP 8:
Attach the Power Supply to the Caddy

1. Hook the power supply's handle over the top lip of the power supply clip. See **Figure 15 (A)**.
2. Tilt the power supply toward the handle support until the power supply snaps into place on the bottom lip of the power supply clip. See **Figure 15 (B)**.



Control Panel Overview



Weekly Timer Feature

The power supply has a timer control that allows you to set an automatic cleaning schedule each week. Be sure the cleaner is fully immersed in water before turning on the power.

Setting the Weekly Timer

When the power supply is activated, you may choose a pool cleaning schedule for the coming week by pressing the Weekly Timer button.

Note: The cleaner will always begin to work upon set-up.

Schedule LEDs:



- LED 1** - The cleaner will automatically work every day for a full cycle = 7 times per week. Press the Weekly Timer button once to select this interval.
- LED 2** - The cleaner will automatically work every other day for a full cycle = 3 times per week. Press the Weekly Timer button twice to select this interval.
- LED 3** - The cleaner will automatically work every 3 days = 2 times a week. Press the Weekly Timer button three times to select this interval.

Pressing the Weekly Timer button four consecutive times will reset the cleaner's schedule. If you do not press any of the buttons within the first 5 seconds after the power has been switched on, the cleaner will default to running one cycle only.

While the cleaner is working in weekly timer mode, the appropriate Weekly Timer LED will blink constantly between cycles. At the end of the week the power supply automatically shuts off.

Cleaning Speed (Quick Clean Feature)

The Prowler® 930 or Warrior® SI Robotic Pool Cleaner can be set to clean your pool at either its standard cleaning speed or at a higher cleaning speed referred to as Quick Clean.

1. The cleaner's default speed is symbolized by the  icon on the power supply. When the cleaner is performing a default cleaning cycle the LED under this icon will illuminate.
2. Quick Clean is symbolized by the  icon on the power supply. When the cleaner is performing a Quick Clean cleaning cycle the LED under this icon will illuminate.

To begin a Quick Clean cycle, press the Cleaning Speed button once. The cleaner will immediately enter Quick Clean mode and will clean the pool for one hour.

Note: While in Quick Clean mode the cleaner will only clean the pool floor. The cleaner will NOT climb and clean pool walls.

Note: Once Quick Clean is selected, the cleaner will continue to clean in Quick Clean mode each time the cleaner is activated. To return to the default cleaning cycle the Cleaning Speed button must be pressed while the cleaner is active.

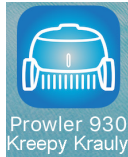
Bluetooth® Operation

The Prowler® 930 and Warrior® SI Robotic Inground Pool Cleaners contain a *Bluetooth®* Wireless Technology receiver that allows the cleaner to communicate with most smartphones.

The following guide provides instructions on how to pair the cleaner with a compatible smartphone, as well as how to use the Manual Drive function.

Downloading the Mobile App

The Mobile App can be found in your smartphone app store by searching the keyword “Prowler 930” or “Kreepy Krauly”.

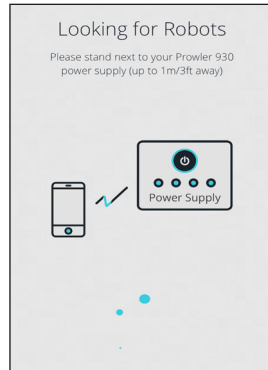


Pairing your Smartphone to the Cleaner

To successfully pair your smartphone to the cleaner, the smartphone must be broadcasting a *Bluetooth* connection signal. Ensure *Bluetooth* capability is enabled before attempting to pair with the cleaner.

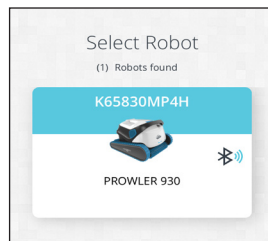
1. The first time the Mobile App is opened on a mobile device, the app will begin to search for a cleaner to pair with.

The smartphone must be within 3 ft. (1 m) of the cleaner’s power supply to successfully pair with the cleaner.



2. Once a cleaner(s) is recognized by your smartphone the Select Robot screen will display.

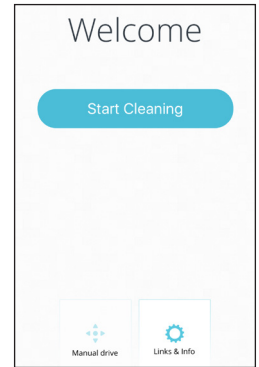
Cleaners will display by serial number. Select the cleaner you wish to connect to.



3. After successfully connecting your smartphone to the desired cleaner, the Welcome screen will display.

You’ll have three options on this screen:

- **Start Cleaning:** This button will activate the cleaner and begin the automatic cleaning cycle that is set at the power supply.
- **Manual Drive:** This button will send you to the Manual Drive screen. For more detailed information on the Manual Drive function, continue to *Operating the Cleaner with Manual Drive*.
- **Links and Info:** This button will direct to a list of helpful links related to your cleaner. A link to the cleaner’s Installation and User’s Guide can be found here.



Operating the Cleaner with Manual Drive

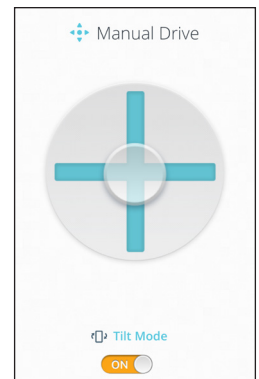
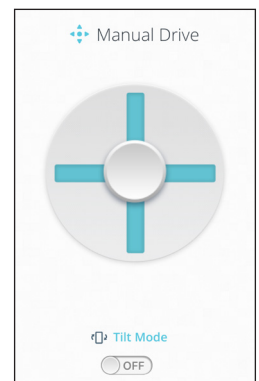
First, tap the Start Cleaning button on the Welcome screen. The Manual Drive button will not be accessible until a cleaning cycle is in process.

After selecting the Manual Drive function on the Welcome screen, the Manual Drive screen will display.

Manual Drive allows you to manually drive your cleaner around the pool. This allows for easy and quick spot cleaning of the pool floor.

There are two options for manually controlling your cleaner:

1. **Joystick Mode:** This is the default Manual Drive mode. The cleaner direction and speed is controlled by your thumb as you guide the “joystick”.
2. **Tilt Mode:** Enter Tilt Mode by swiping the Tilt Mode toggle at the bottom of the Manual Drive screen to ON. The cleaner direction and speed will now be controlled by the direction and angle you tilt your smartphone.



MAINTENANCE

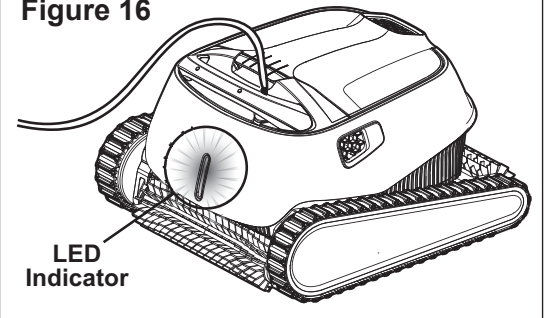


WARNING Make sure the cleaner's power supply is turned "OFF" and is disconnected from the electrical source/outlet before servicing the cleaner. Moving parts may injure hands or fingers if cleaner inadvertently powers on during servicing.

LED Indicator Lights

The Prowler® 930 and Warrior® SI Robotic Pool Cleaners include an LED indicator just above the scrubber on the front side of the cleaner (see **Figure 16**). During normal operation powered by the power supply the LED indicator will blink blue.

Figure 16



Removing the Cleaner from the Pool

The cleaner will shut off automatically at the end of a cleaning cycle. Follow the steps below to remove the cleaner from the pool.



CAUTION Ensure the power supply is turned "OFF" and disconnected from the electrical source/outlet before removing the cleaner from the pool. Operating the cleaner out of water will immediately cause severe damage and will result in loss of warranty. Do not leave the cleaner in the pool all the time.

1. Disconnect the power supply cable from the electrical outlet and disconnect the cleaner communication cable from the power supply.
2. Using the cleaner's communication cable, slowly and gently pull the cleaner to the waterline at the edge of the pool until you can reach the handle. **DO NOT** lift the cleaner out of the water by the cable.
3. Using the handle, lift the cleaner out of the pool. See **Figure 17**.
Note: Never lift the cleaner out of the pool by the communication cable. This puts an unnecessary strain on the cable and could result in damage to the cleaner.
4. Place the cleaner on the edge of the pool and allow excess water to drain from the cleaner body and basket. See **Figure 18**.
5. Disconnect the communication cable from the power supply.
6. If caddy is included, store the cleaner in the caddy with communication cable coiled when not in use.
If not using a caddy, store the cleaner in a covered area with the communication cable coiled.

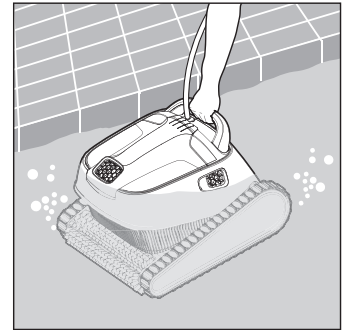


Figure 17



Figure 18

Cleaning the Filter Baskets

Note: It is highly recommended that you clean the filter baskets after each cleaning cycle. Too much debris in the filter will restrict the suction power of the Prowler® 930 or Warrior® SI Robotic Pool Cleaner and reduce its effectiveness.

To clean the filter baskets, follow the instructions given below:

STEP 1:

Open the Filter Cover

When the filter cover is opened the outer filter basket handle will pop up independently. See **Figures 19 and 20**.

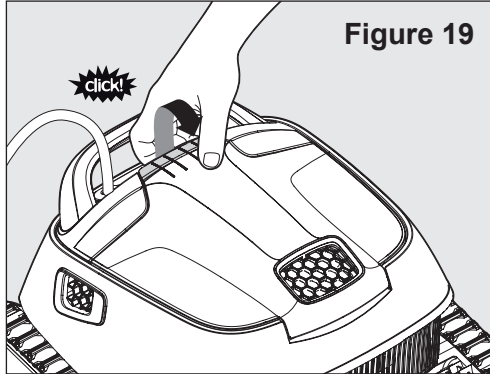


Figure 19

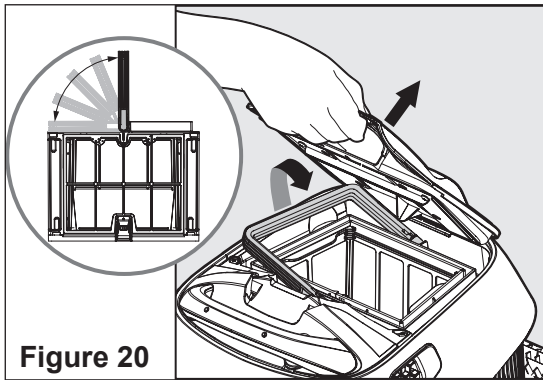


Figure 20

STEP 2:

Lift the basket out of the cleaner body.

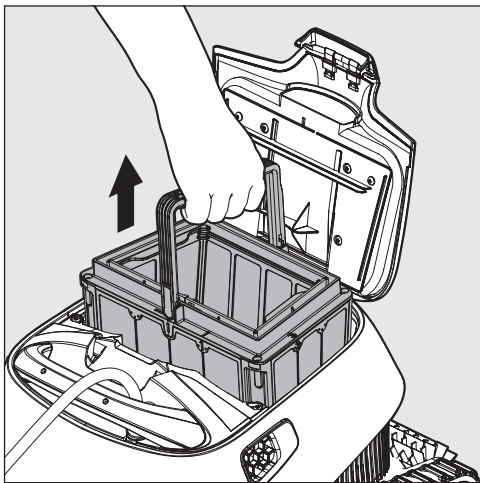


Figure 21

STEP 3:

Remove and Rinse the Inner Filter Basket

Remove the inner filter basket from the outer filter basket (see **Figure 22**).

Dump any loose debris from the inner basket and thoroughly rinse out any remaining debris with a garden hose.

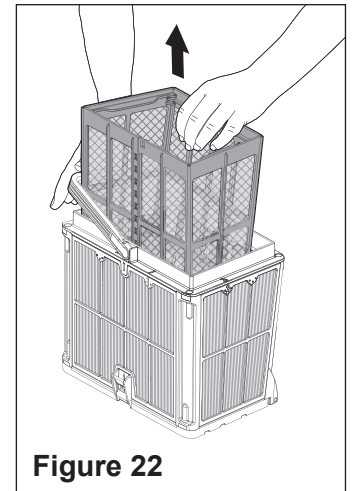


Figure 22

STEP 4:

Empty the Outer Filter Basket

Open the latch at the bottom of the filter basket. This will release the bottom lid of the basket and dump much of the collected debris. See **Figure 23**.

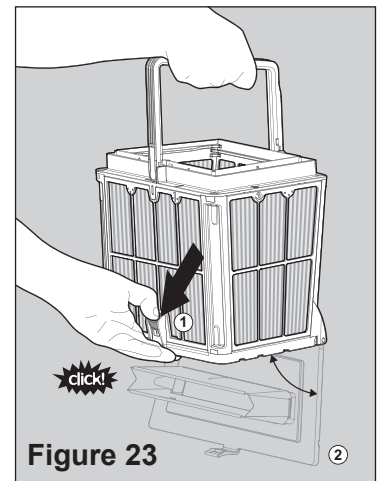


Figure 23

STEP 5:

Clean the Outer Filter Basket

Thoroughly rinse the filter basket with a garden hose. See **Figure 24**.

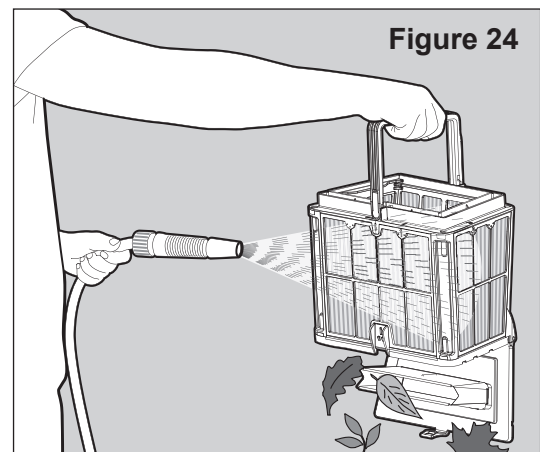


Figure 24

Periodic Filter Screen Cleaning

Note: It is recommended that you clean the filter screens at least once a month. Too much debris in the filter screens will restrict the suction power of the Prowler® 930 or Warrior® SI Robotic Pool Cleaner and reduce its effectiveness.

To dismantle and clean the four filter screens, follow the instructions given below:

STEP 1: Empty the Inner and Outer Filter Baskets.

Follow steps 1-5 on the previous page.

The inner and outer filter baskets should be emptied and rinsed clean before removing the outer basket's filter screens.

STEP 2: Remove the Filter Screens

Using your thumbs, firmly press inwards on the top of Panel 1 to remove the filter screen from its frame (see **Figure 25**).

Each filter screen is stamped with a number (see **Figure 26**). Remove the filter screens in numerical order; Screen 1 > 2 > 3 > 4.

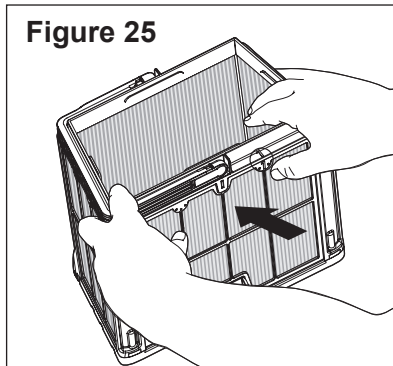


Figure 25

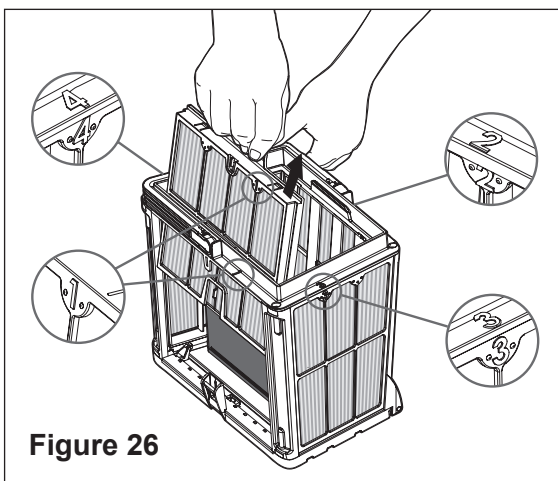


Figure 26

STEP 3: Clean the Filter Screens

Thoroughly clean the filter screens with a garden hose. See **Figure 27**.

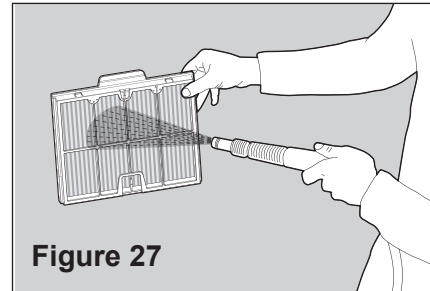


Figure 27

STEP 4: Reassemble the Filter Screens

Replace the filter screens by seating the bottom of the screen into its frame, then pushing firmly outwards on the top of the screen until a click is heard.

Each filter screen is stamped with a number (see **Figure 28**). Replace the filter screens in numerical order; Screen 4 > 3 > 2 > 1.

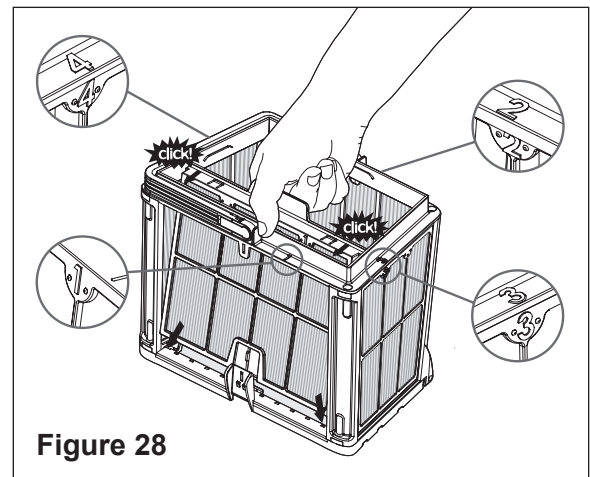


Figure 28

Cleaning the Impeller



WARNING Always disconnect power to the cleaner before servicing, disassembly, or reassembly. Failure to do so could result in death or serious injury to servicemen, pool users or others due to electrical shock. Read all servicing instructions before servicing the cleaner.

Every so often debris may become trapped in the Prowler® 930 or Warrior® SI Robotic Pool Cleaner's impeller. To clean out debris trapped in the impeller opening, follow the instructions below:

STEP 1:

Open the Filter Cover and Remove the Basket

See **Figure 29** and **Figure 30**.

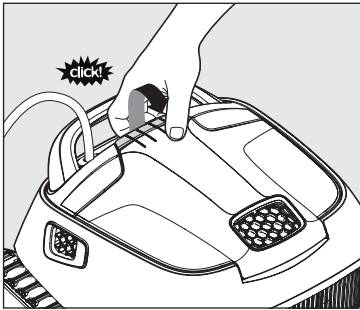


Figure 29

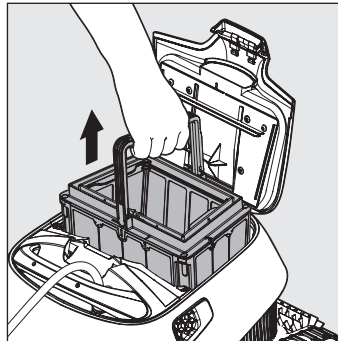


Figure 30

STEP 2:

Unmount and Remove the Intermediate Cover and Manifold Assembly

1. Using a No. 2 Phillips-head screwdriver, remove the two screws that hold the intermediate cover and manifold assembly in place. These screws can be found in the inside corners of the intermediate cover. See **Figure 31**.
2. Place the two screws to the side.
3. Gently pull the intermediate cover (Item #2 in **Figure 31**) away from the cleaner and place it to the side.
4. Gently pull the manifold assembly (Item #3 in **Figure 31**) away from the cleaner and place it to the side.

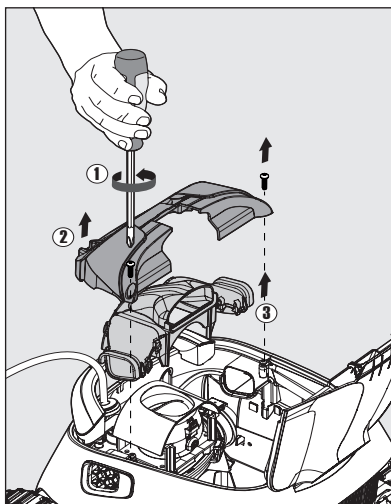


Figure 31

STEP 3:

Unmount and Remove the Impeller Cover

Press the tabs on both sides of the impeller cover (Item #1 in **Figure 32**) to unlock the cover from the impeller assembly. While pressing both tabs, pull the cover away from the cleaner.

Place the impeller cover to the side.

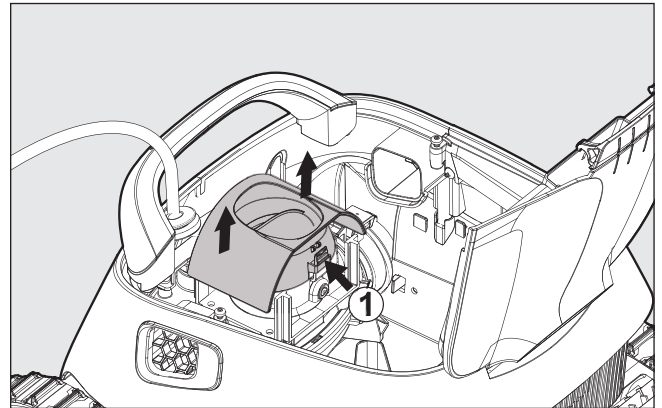


Figure 32

STEP 4:

Clean Debris from the Impeller

By hand, remove any debris that has become trapped around the impeller. See **Figure 33**.

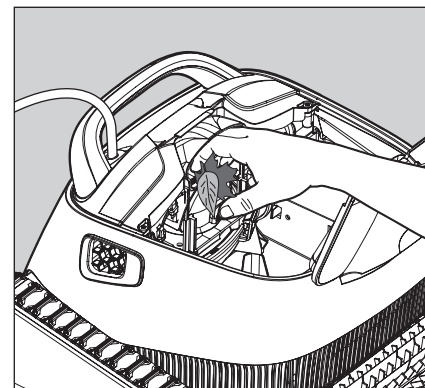


Figure 33

STEP 5: Remount the Impeller Cover

Gently push the impeller cover back onto the impeller assembly. See **Figure 34**.

The tabs on the motor unit will lock the cover into place.

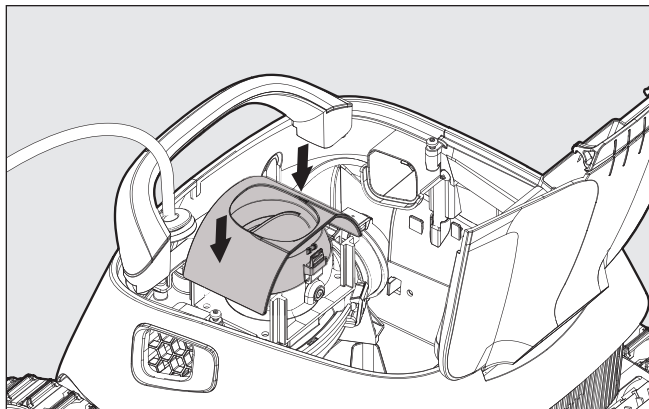


Figure 34

STEP 6: Remount the Intermediate Cover and Manifold Assembly

Reseat the intermediate cover and manifold assembly and reinstall the two screws that hold the cover and manifold assembly in place. See **Figure 35**.

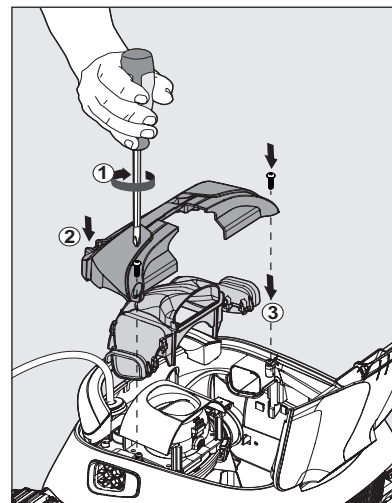
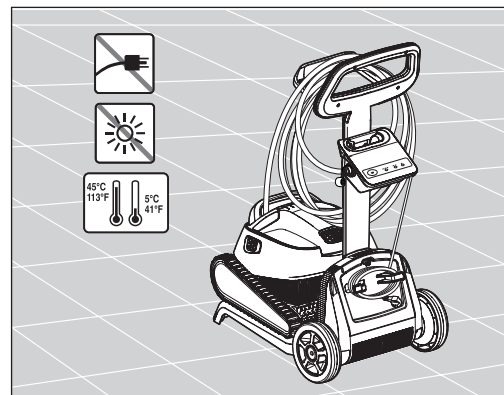


Figure 35

Storing the Cleaner

Any time the cleaner will not be in use for an extended period of time, for example during the winter, follow the storage recommendations below:

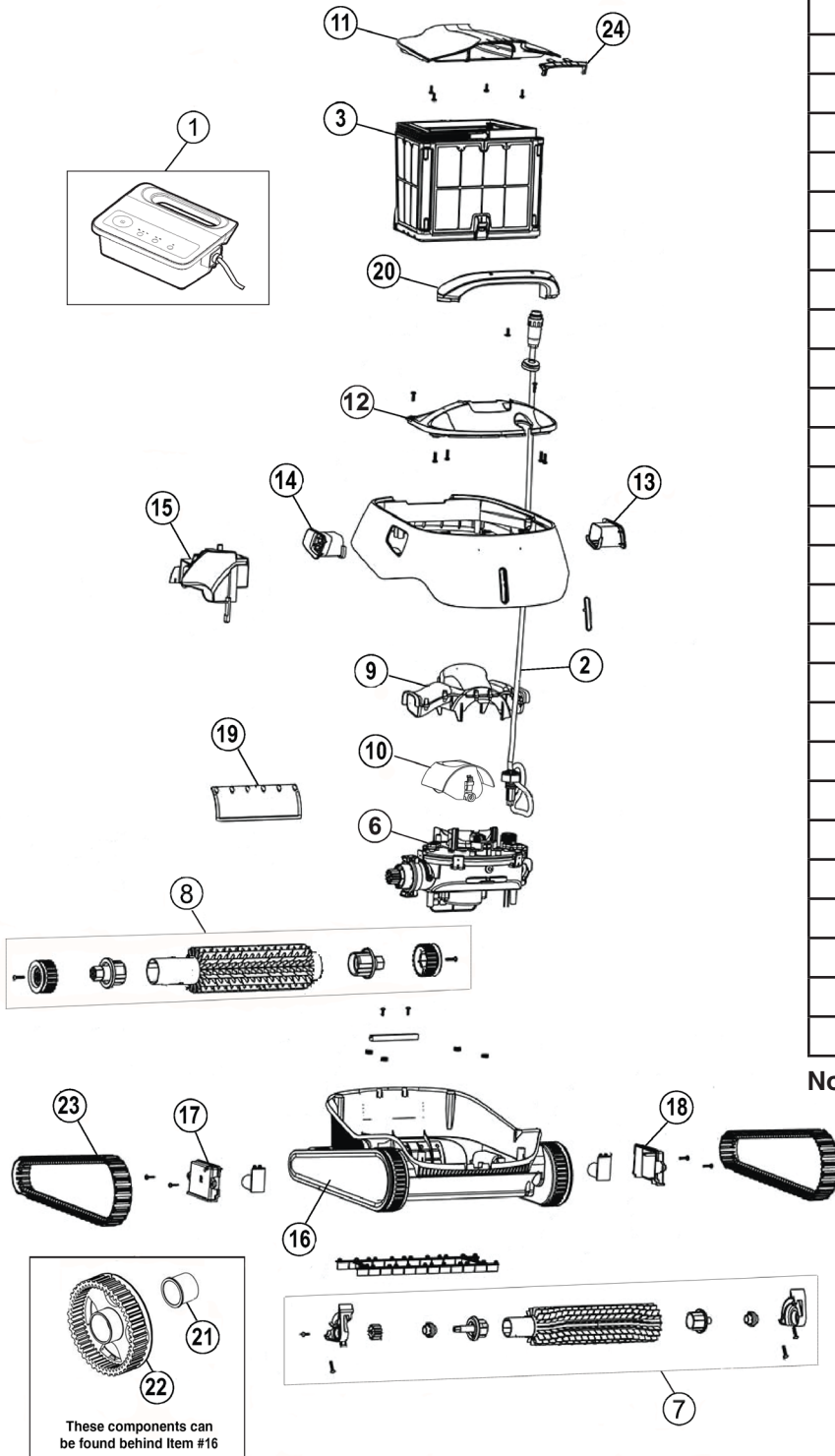
- Be sure to disconnect the power supply after use.
- Store the power supply, cable, and cleaner with the caddy if included with the cleaner.
- Store the cleaner in a protected area out of direct sun, rain and frost, at a temperature between 5°-45°C / 41°-113°F.
- Drain all water from the pool cleaner.
- Thoroughly clean the filter baskets and filter screens and store the cleaner with them installed.



TROUBLESHOOTING

Problem	Possible Cause	Corrective Action
Cable twisting or cable coils up.	Obstruction in pool Gets stuck on main drain cover Excess cable in the pool	Remove obstruction in pool. Turn off filter and install main drain cover ring. Straighten cable and lay in sun periodically. Remove excess cable from pool.
Cleaner is moving in circles	Dirt stuck in moving parts Tracks worn due to extended use Power supply positioned incorrectly Algae in pool	Remove dirt from moving parts. Contact your dealer. Replace tracks. Place power supply in a position so that the cleaner can reach all walls. Correct pool and water conditions.
Cleaner does not reach all areas of the pool	Power supply positioned incorrectly Cleaner does not climb walls Algae on pool walls and floor Pool filter and pump is on	Place power supply in a position so that the cleaner can reach all walls. Check reasons for not climbing walls below. Brush pool walls and floor. Turn off pool filter and pump and run another cleaning cycle.
Cleaner does not climb walls	Cleaner is too heavy Algae on walls Water temperature too low and/or too high Brushes are worn Debris caught around impeller Cleaner is too light from trapped air Unsuitable pH level	Clean and wash cartridge. Brush walls. Ideal water temperature between 43-95°F (6-35°C) Replace brushes - contact your dealer. Clean impeller (see page 10). Turn cleaner upside down under water to remove trapped air. Check pH level - should be between 7.4 - 7.8; minimum level of 7.2.
Motor not working	Impeller blocked Drive system blocked Electrical problem - motor unit, communication cable, or power supply	Clean impeller (see page 10). Clean tracks and wheels. Consult with your dealer or service center.
Cleaner will not sink	Air caught in trapped in cleaner	Turn cleaner upside down under water to remove trapped air. Wash the cartridge. Remove calcium deposits or other chemical sediments. Open inlet flap in the bottom lid to remove dirt and/or trapped air.
Power supply or power supply switch light is not working	Not plugged in properly or main socket is damaged	Reconnect and check main power supply.

REPLACEMENT PARTS



Item #	Prowler Part #	Warrior Part #	Description
1	360400		Power Supply
2	360446		Communication Cable
3	360507		Outer Filter Basket
*	360445		Inner Filter Basket
*	360363		Cartridge Filter Kit
*	360364		Net Filter Kit
6	360365		Motor Unit
7	360366		Front Brush Assembly
8	360367		Rear Brush Assembly
9	360370		Manifold Assembly
10	360371		Impeller Cover
11	360447	360506	Filter Cover
12	360531		Intermediate Cover
13	360377	360502	Left Grill
14	360378	360503	Right Grill
15	360379		Internal Float
16	360380		Side Panel
17	360382		Bypass Cover, Right
18	360383		Bypass Cover, Left
19	360384		Rapid Drain Flap
20	360385	360504	Handle Assembly
21	360388		Front Brush Bushing
22	360372		Front Wheel
23	360342		Track
24	360373	360500	Latch
*	360381		Rear Wheel
*	360340		Impeller
*	360165		Cleaner Caddy

Note (*): Not Shown

NOTES

NOTES



1620 HAWKINS AVE., SANFORD, NC 27330 • (919) 566-8000
10951 WEST LOS ANGELES AVE., MOORPARK, CA 93021 • (805) 553-5000

WWW.PENTAIR.COM

All indicated Pentair trademarks and logos are property of Pentair. Third party registered and unregistered trademarks and logos are the property of their respective owners. The Bluetooth® word mark and logo are registered trademarks of Bluetooth SIG, Inc. in the United States and/or other countries. Other trademarks and trade names are those of their respective owners. Because we are continuously improving our products and services, Pentair reserves the right to change specifications without prior notice.

© 2020 Pentair. All rights reserved. This document is subject to change without notice.



P/N 372052 REV. D 3/4/20

8151693 Rev 03