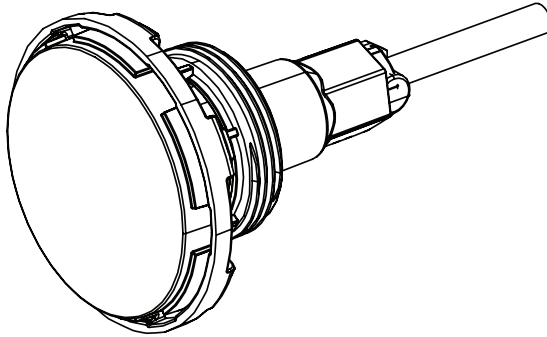




INTELLIVIBE™ MEZZO

LED LIGHT



INSTALLATION AND USER'S GUIDE

IMPORTANT SAFETY INSTRUCTIONS
READ AND FOLLOW ALL INSTRUCTIONS
SAVE THESE INSTRUCTIONS

Digital copies of all IntelliVibe Mezzo manuals can be found at www.pentair.com, or by scanning the provided QR code.

Se pueden encontrar copias digitales de todos los manuales de IntelliVibe Mezzo en www.pentair.com, o escaneando el código QR proporcionado.

Des copies numériques de tous les manuels IntelliVibe Mezzo peuvent être trouvées sur www.pentair.com, ou en scannant le code QR fourni.



CUSTOMER SERVICE / TECHNICAL SUPPORT

Hours: 9:00AM to 7:00PM EST (6:00AM - 4:00PM PST)

Call: (800) 831-7133

Visit: www.pentair.com

Fax: (800) 284-4151

TABLE OF CONTENTS

IMPORTANT SAFETY INSTRUCTIONS	ii - iii
INSTALLATION	1
Output Lighting Table	1
Light Dimensions	1
Light Installation in Nano Niche or 1.5" Wall Fitting (USA)	2
Light Installation in Nano Niche or 1.5" Wall Fitting (Canada)	3
Compatible Wall Fittings	4
Wet Conduit Installation	4
Dry/Sealed Conduit Installation (Use Provided Kit)	6
Fiber Optic Retrofit Applications	8
Light Wiring Installation	8
Wiring Diagram	9
MAINTENANCE	10
Replacing the Light Assembly (In an Existing Pool or Spa)	10
TROUBLESHOOTING	11
REPLACEMENT PARTS	12
IntelliVibe Mezzo Models	12
IntelliVibe Mezzo Replacement Parts	12
Trim Ring Options	12
Trim Ring Dimensions	13

<p>READ AND FOLLOW ALL INSTRUCTIONS IN THIS MANUAL</p>
--

IMPORTANT WARNING AND SAFETY INSTRUCTIONS



SERIOUS BODILY INJURY OR DEATH CAN RESULT IF THIS LIGHT IS NOT INSTALLED AND USED CORRECTLY.



INSTALLERS, POOL OPERATORS AND POOL OWNERS MUST READ THESE WARNINGS AND ALL INSTRUCTIONS BEFORE USING THE POOL AND/OR SPA LIGHT.



Most states and local codes regulate the construction, installation, and operation of public pools and spas, and the construction of residential pools and spas. It is important to comply with these codes, many of which directly regulate the installation and use of this product. Consult your local building and health codes for more information.



IMPORTANT NOTICE - Attention Installer: This Installation and User's Guide ("Guide") contains important information about the installation, operation and safe use of this underwater pool and spa light. This Guide should be given to the owner and/or operator of this equipment.



Before installing this product, read and follow all warning notices and instructions in this Guide. Failure to follow warnings and instructions can result in severe injury, death, or property damage.

Call (800) 831-7133 for additional free copies of these instructions. Please refer to www.pentair.com for more information related to this products.



RISK OF ELECTRICAL SHOCK OR ELECTROCUTION: UNDERWATER POOL LIGHTS REQUIRE HIGH VOLTAGE WHICH CAN SHOCK, BURN, OR CAUSE DEATH.

Before working or servicing pool lights, always disconnect power to the pool and/or spa lights at the source circuit breaker. Failure to do so could result in death or serious injury to service person, pool users or others due to electric shock. When installing and using this electrical equipment, basic safety precautions should always be followed.

This product must be installed by a licensed or certified electrician or a qualified pool professional in accordance with the current National Electrical Code (NEC), NFPA 70 or the Canadian Electrical Code (CEC), CSA C22.1. All applicable local installation codes and ordinances must also be adhered to. Improper installation will create an electrical hazard which could result in death or serious injury to pool users, installers or others due to electrical shock, and may also cause damage to power source. Always disconnect the power to the pool light at the circuit breaker before installing or removing the light. Failure to do so could result in death or serious injury to service person, pool users or others due to electrical shock.

IMPORTANT WARNING AND SAFETY INSTRUCTIONS



WARNING For countries in compliance with International Electrotechnical Commission (IEC) regulatory standards: The light fixture must be installed by a licensed or certified electrician or a qualified pool service person, in accordance with current IEC 364-7-702 and all applicable local codes and ordinance. Improper installation will create an electrical hazard, which could result in death or serious injury to pool user, installer or other due to electrical shock and may also cause damage to the property.

INSTALLERS AND INSPECTORS

THE LIGHT AND WALL FITTING FORM A COMPLETE NON-METALLIC LOW VOLTAGE LIGHTING SYSTEM. THIS CONFIGURATION DOES NOT REQUIRE BONDING OR GROUNDING WHEN POWERED BY A POOL RATED 300 WATT ISOLATION TRANSFORMER AND INSTALLED IN COMPLIANCE WITH THE CURRENT NATIONAL ELECTRIC CODE (NEC).

NOTICE: The light power cord has three conductors. The black and white conductors are for power. The green conductor is a communication wire and is not intended for grounding. All three conductors must be connected to the IntelliVibe controller directly or via a junction box.

UNBONDED LIGHTING NEC PROVISIONS: When the non-metallic low voltage lights are used, the current NEC provides an exception to luminaire bonding and grounding in Article 680.6 and 680.23.

POOL WATER BONDING NEC PROVISIONS: For Pool Water Bonding required by NEC Article 680.26C, concrete pools are considered conductive (refer to 680.26 (b)(1) due to the porosity of concrete and the bonding of rebar. No additional bonding is required.

POOL AND SPA FIXED LUMINAIRES: Follow these guidelines when installing or replacing Pentair fixed luminaires:

FOR LIGHT OPERATION, ONLY USE A SAFETY ISOLATION TRANSFORMER.

FIXED POOL AND SPA LUMINAIRES SPECIFICATION: 14 VAC 50/60 Hz.

IntelliVibe Mezzo Lights are approved to be installed in a vertical position (facing up). Vertical light installation must be installed minimum 4 inches below water level.

Vertical Light installations are recommended only in non-occupant areas of the pool (e.g. up-lighting a vanishing edge overspill).

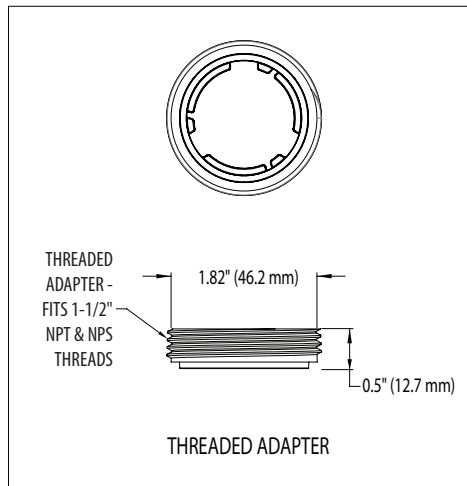
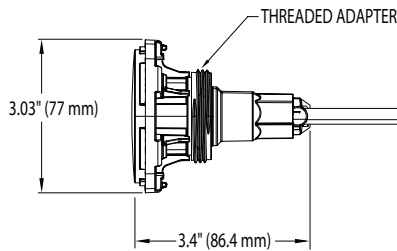
INSTALLATION

OUTPUT LIGHTING TABLE

- IntelliVibe Controller Maximum: 200 W
- Individual Output Maximum: 100 W
- IntelliVibe Mezzo Output: 24 W

IF USING PS300 300 VOLT-AMP TRANSFORMER	
Maximum Number of Lights per 100 W OUTPUT:	
IntelliVibe Mezzo	4
Maximum Number of Lights per CONTROLLER (sum of all outputs):	
IntelliVibe Mezzo	8

LIGHT DIMENSIONS



LIGHT INSTALLATION IN 1.5" WALL FITTING (USA)

The following describes how to install the light in a 1-1/2" wall fitting.

Note: IntelliVibe Mezzo lights are approved for horizontal and vertical installation.

BEFORE STARTING: The following information describes the tasks that must be completed by the electrician *before* the light wall fitting is installed. See Figure 1.

WARNING

Be sure that the pool or spa meets the requirements of the current National Electrical Code (N.E.C.) Article 680-22 and all local codes and ordinances. A licensed or certified electrician must install the electrical system to meet or exceed those requirements before the underwater light is installed. Some of the requirements of the National Electrical Code which the pool's electrical system must meet are as follows:

- The Junction Box, PS300, and the IntelliVibe controller are located at least 4 inches (10.2 cm) above ground level or 8 inches (20.3 cm) above maximum water level, whichever is higher. The Junction Box, PS300, and the IntelliVibe controller must be at least 4 feet (1.2 m) from the edge of the pool. See Figure 1.
- To be certain that the pool or spa electrical system meets all applicable requirements, the electrician should also consult the local building department.

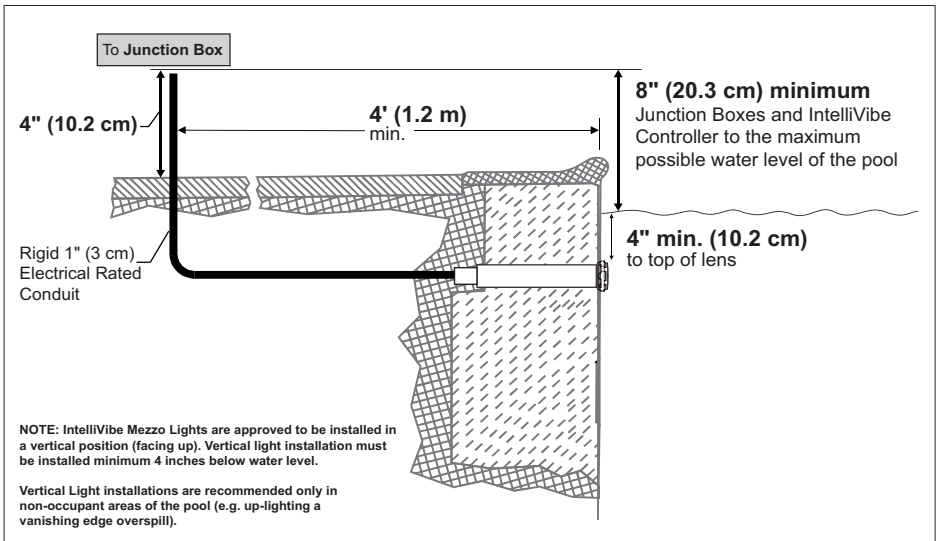


Figure 1

Note: See *Light Dimensions* on page 1.

LIGHT INSTALLATION IN 1.5" WALL FITTING (CANADA)

⚠ WARNING

Be sure the electrical system of your pool conforms with the following requirements of the Canadian Electrical Code (CE), and all local codes and ordinances. A licensed or certified electrician must install the electrical system to meet or exceed those requirements before the light and (fixture-housing) is installed. Some of the CE requirements are listed below.

- The junction/deck box must be sealed to the conduit to prevent water from getting into the box. See Figure 2 below.

The following information is for the Junction Box and pool deck location for Canada only. Junction/Deck boxes shall be installed:

- above the normal water level of the pool;
- so that the top of the box is located at or above the finished level of the pool deck;
- in a location that the box will not be an obstacle; and
- where any water on the deck will drain away from the box (See diagram below.)

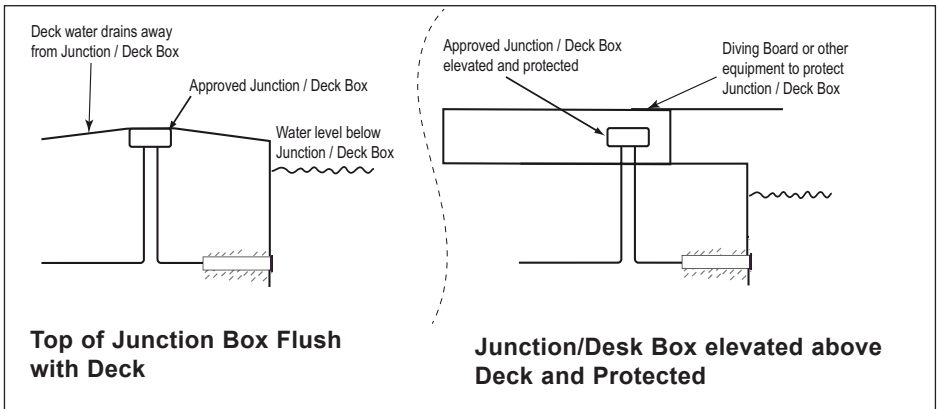


Figure 2

COMPATIBLE WALL FITTINGS

Brand	Part Number	Brand	Part Number
PENTAIR	542402	WATERWAY	215-9170B
	542404		215-9890B
	542405		400-9150B
	542414		400-9170B
	542429	CMP	CMP25522100000
	86205100		CMP25550000000
HAYWARD	SP1022		CMP25550001060

The IntelliVibe Mezzo light adapter allows the mounting of the light in the 1-1/2" return fitting. Refer to the Compatible Wall Fittings table above.

FOR FIBER OPTIC RETROFIT APPLICATIONS, SEE PAGE 8.

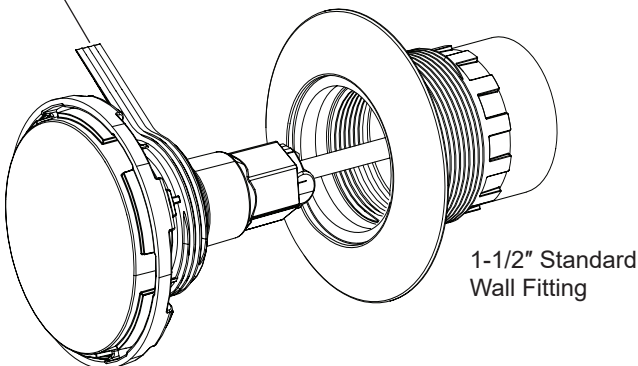
WET CONDUIT INSTALLATION

Note: The white threaded adapter is factory-installed onto the light assembly. This adapter allows the light to be threaded into most 1-1/2" light wall fittings.

To install the light into the wall fitting:

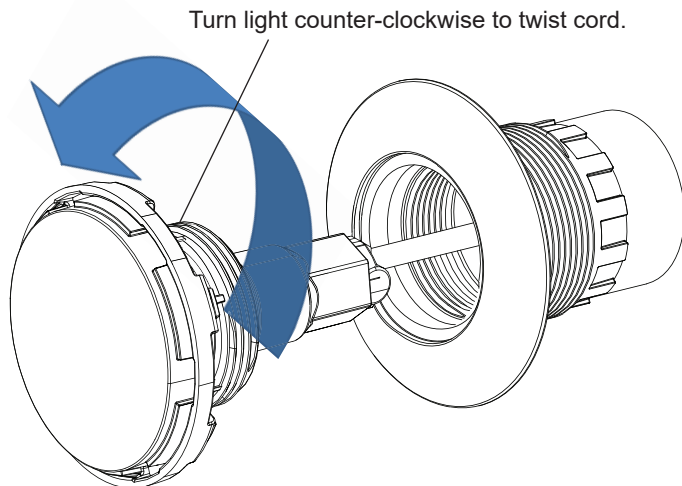
1. Route the light power cord through the 1.5" wall fitting to the IntelliVibe controller or junction box.
2. Wrap thread seal tape around the male threads on the white threaded adapter on the light. Thread tape reduces friction to allow the light to fully seat in the 1-1/2" return fitting.
3. Pull the light power cord through the conduit until there is approximately 3 to 6 inches of visible cord between the body of the light and the wall fitting.

Wrap thread seal tape
around the adapter



WET CONDUIT INSTALLATION (continued)

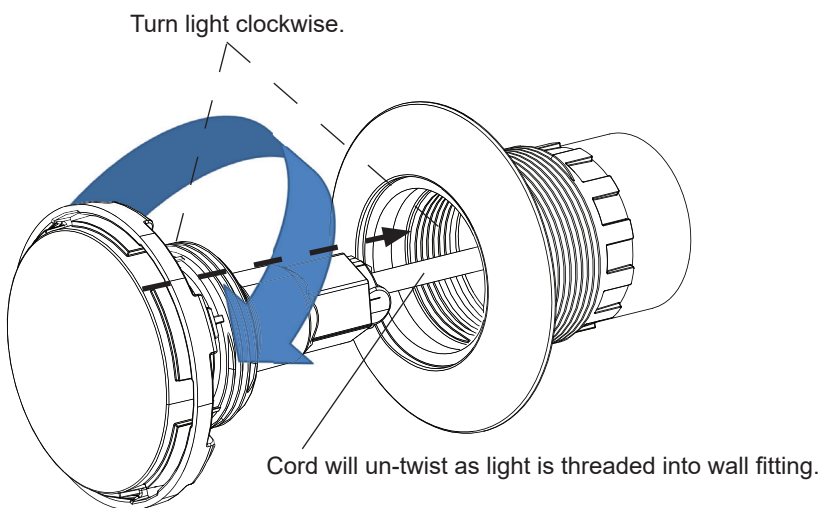
4. With the light in hand, twist the light assembly approximately five turns counter-clockwise. This prevents twists remaining in the cord after the light is fully installed.



5. Ensure the inside of the wall fitting and threaded adapter are free of debris, then thread the light clockwise into the wall fitting until hand-tight.



HAND-TIGHTEN ONLY. OVER-TIGHTENING CAN PERMANENTLY DAMAGE THE LIGHT.



WET CONDUIT INSTALLATION (continued)

6. Install the IntelliVibe Mezzo Trim Ring by aligning trim ring tabs with channels on outer circumference of the Mezzo light. Gently push trim ring into the light until locking tabs click into position.

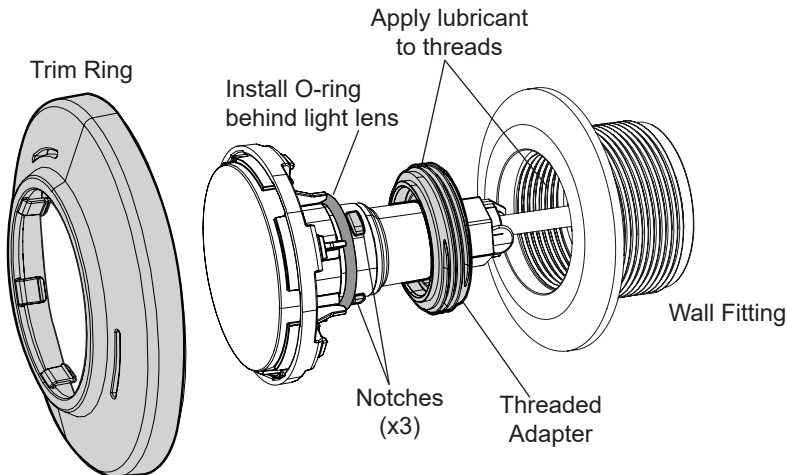
Note: Select the correct trim ring size for the installation type by referencing the table *Trim Ring Options* on page 12. If the trim ring contacts the pool wall before clicking into the light, a shallower trim ring should be used.

7. Continue to *Light Wiring Installation* on page 8.

DRY/SEALED CONDUIT INSTALLATION (USE PROVIDED KIT)

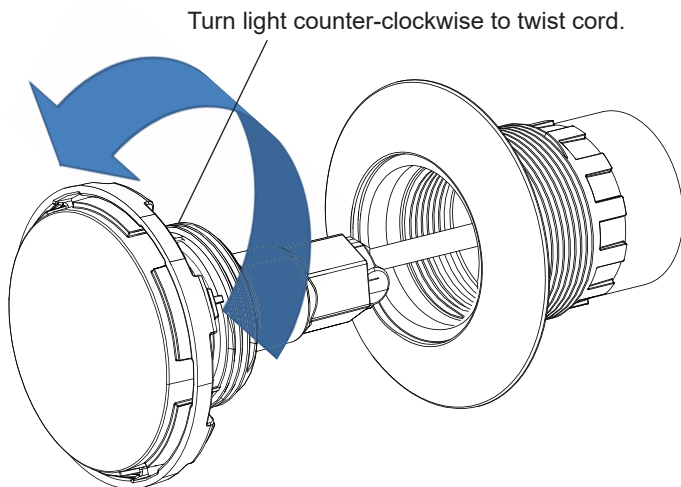
1. **The pool water level must be below the light wall fitting.**
2. Place the O-ring onto the open end of the light cable.

Note: Do not stretch the O-ring over the light, as this will permanently damage the O-ring.
3. Unlock the threaded adapter from the backside of the light.
4. Stretch the O-ring over the threaded adapter.
5. Using the provided lubricant, lubricate the O-ring.
6. Slide the O-ring onto the light assembly and over the three notches shown below.
7. Slide the threaded adapter over the O-ring and lock it onto the backside of the light.
8. Using the provided lubricant, lubricate both the adapter threads and inner threads of the wall fitting.
9. Pull the light power cord through the wall fitting until there are approximately 3 to 6 inches of cord between the light and wall fitting.



DRY/SEALED CONDUIT INSTALLATION (continued)

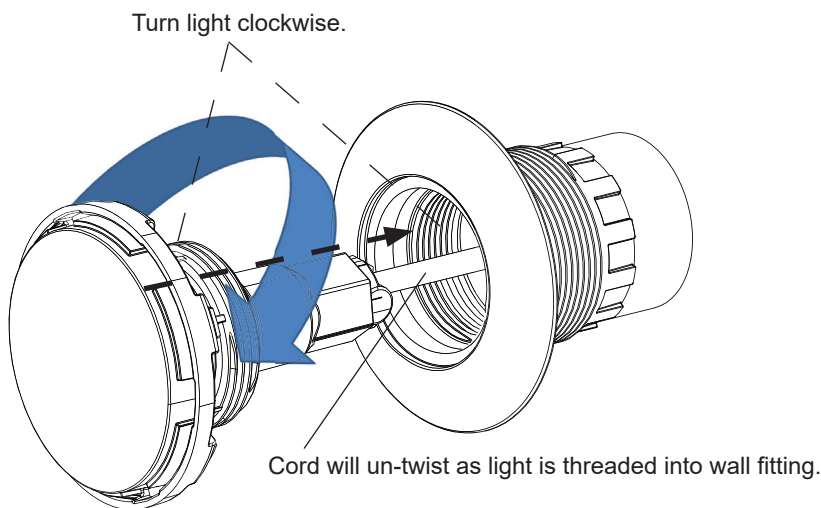
10. With the light in hand, twist the light assembly approximately five turns counter-clockwise. This prevents twists remaining in the cord after the light is fully installed.



11. Ensure the inside of the wall fitting and threaded adapter are free of debris, then thread the light clockwise into the wall fitting until hand-tight.

CAUTION

HAND-TIGHTEN ONLY. OVER-TIGHTENING CAN PERMANENTLY DAMAGE THE LIGHT.



DRY/SEALED CONDUIT INSTALLATION (continued)

12. Install the IntelliVibe Mezzo Trim Ring by aligning trim ring tabs with channels on outer circumference of the Mezzo light. Gently push trim ring into the light until locking tabs click into position.

Note: Select the correct trim ring size for the installation type by referencing the table *Trim Ring Options on page 12*. If the trim ring contacts the pool wall before clicking into the light, a shallower trim ring should be used.

13. Continue to *Light Wiring Installation* on page 8.

FIBER OPTIC RETROFIT APPLICATIONS

The IntelliVibe Mezzo Light may be suitable for many fiber optic retrofit applications.

IMPORTANT:

1. Before proceeding with the fiber optic retrofit installation, verify that the light fits properly before removing the fiber optic system.
2. Refer to *Light Dimensions on page 1*.
3. Read all instructions to verify that all of the 1.5" fittings in the pool have suitable dimensions to allow the light to fit properly.
4. Be sure the conduit that was previously utilized as housing for the fiber optic cables meets all applicable codes and regulations that apply to electrical conduit in swimming pool applications.

LIGHT WIRING INSTALLATION

To connect the IntelliVibe Mezzo Light to the IntelliVibe controller or junction box:

1. Route the IntelliVibe Mezzo light power cord through the wall fitting to the location of the IntelliVibe controller or junction box.
2. At the IntelliVibe controller or junction box, cut off any extra cord. Leave at least 6 inches (15.2 cm) of cord in the Junction Box or controller to facilitate the light installation wall fitting inspection.

See *Figure 1* on page 2 for junction box installation in the USA.

See *Figure 2* on page 3 for junction box installation in Canada.

3. Connect the 3 conductors to the corresponding colors of circuit wires in the Junction Box. Secure the Junction Box cover.

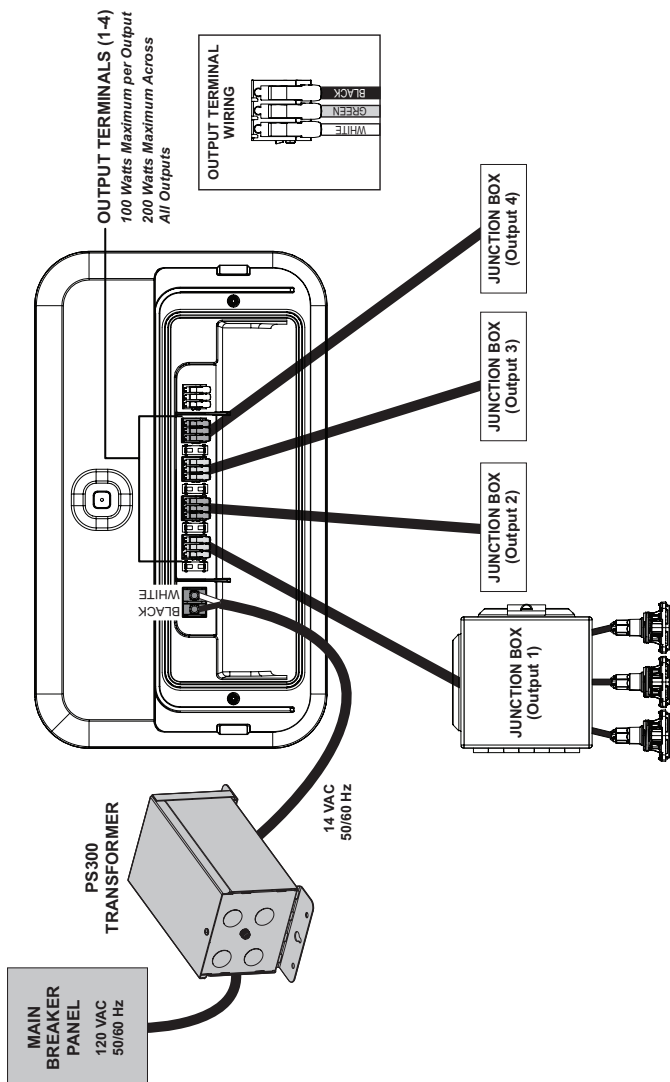
Note: The light power cord has three conductors. The black and white conductors are for power. The green conductor is a communication wire and is not intended for grounding. All three conductors must be connected to the IntelliVibe controller directly or via a junction box.

LIGHT WIRING INSTALLATION (continued)

4. Refer to the *IntelliVibe Controller Manual (P/N 619140)* for wiring connections.
5. Before operating the light, fill the pool with water until the light is completely submerged.

CAUTION DO NOT OPERATE LIGHT OUT OF WATER.

WIRING DIAGRAM



Note: The light's green conductor is a communication wire and is not intended for grounding. All three conductors must be connected to the IntelliVibe controller directly or via a junction box.

MAINTENANCE

REPLACING THE LIGHT ASSEMBLY (IN AN EXISTING POOL OR SPA)

DANGER

This underwater light must be installed by a licensed or certified electrician or a qualified pool professional in accordance with the current National Electrical Code (NEC), NFPA 70 or the Canadian Electrical Code (CEC), CSA C22.1 and all applicable local codes and ordinances. Improper installation will create an electrical hazard which could result in death or serious injury to pool users, installers or others due to electrical shock, and may also cause damage to property.

Always disconnect the power to the pool light at the circuit breaker before servicing the light. Failure to do so could result in death or serious injury to service person, pool users or others due to electrical shock.

The following removal and installation instructions describe how to remove and install the light assembly.

WARNING

Failure to bring the pool or spa's electrical system up to code requirements before installing the underwater light will create an electrical hazard which could result in death or serious injury to pool users, installers, or others due to electrical shock, and may also cause damage to property.

1. **Switch off electrical switch or circuit breaker at the source.**
2. Remove existing light junction box, light wiring compartment, or IntelliVibe controller wiring cover. Disconnect the light wires and attach fish tape to the existing light power cord. *This will assist in pulling the replacement light power cord through the conduit back to the junction box.*
3. Remove the existing pool light assembly from the pool or spa by turning the light assembly counter-clockwise 1/8 of a turn to release the light from the wall fitting.
4. Completely unthread light from the wall fitting.
5. Slowly pull the light (with attached fish tape) out of the wall fitting. Place the light on the deck.
6. Secure the new light power cord to the fish tape and carefully feed the fish tape and cable back to the junction box.
7. **Install the light into the wall fitting:** Refer to *Wet Conduit Installation*, page 4 and *Dry/Sealed Conduit Installation (Use Provided Kit)*, page 6 for specific instructions.

CAUTION

HAND-TIGHTEN ONLY. OVER-TIGHTENING CAN PERMANENTLY DAMAGE THE LIGHT.

8. **Connect the 3 conductors to the corresponding circuit wires in the Junction Box:** See *Light Wiring Installation* on page 8.

TROUBLESHOOTING

If lights are not turning on:

1. Ensure power is being supplied to the IntelliVibe controller. Refer to the *IntelliVibe Controller Manual (P/N 619140)*.
2. Ensure lights are wired to IntelliVibe controller correctly. Refer to the *IntelliVibe Controller Manual (P/N 619140)*.
3. Ensure IntelliVibe controller is installed properly and provisioned to the Pentair Home App.
4. If 1-3 are all proper, measure the voltage being delivered to the light from the white and black conductors. Ensure voltage is between 15-20 V DC.

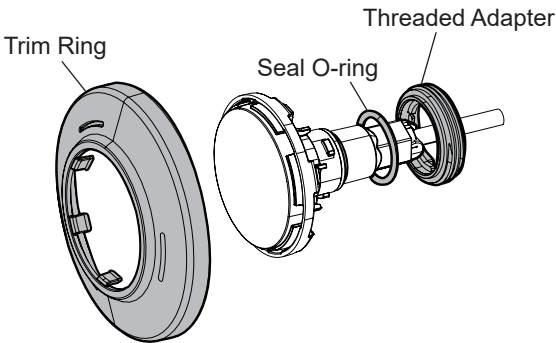
REPLACEMENT PARTS

INTELLIVIBE MEZZO MODELS

PART NUMBER	DESCRIPTION
602281	IntelliVibe Mezzo, 50' cord
602282	IntelliVibe Mezzo, 100' cord
602283	IntelliVibe Mezzo, 150' cord

INTELLIVIBE MEZZO REPLACEMENT PARTS

PART NUMBER	DESCRIPTION
620460	Threaded Adapter
620463	Seal O-ring
618040	Adapter for GloBrite Niche (Not Shown)



TRIM RING OPTIONS

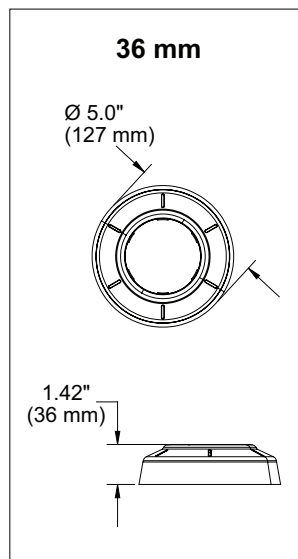
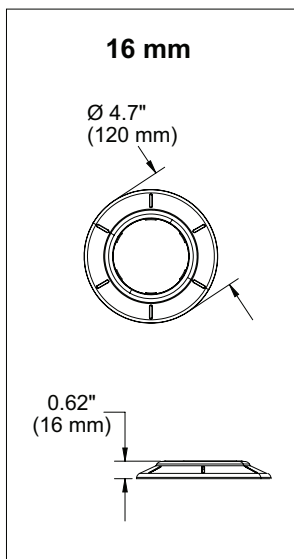
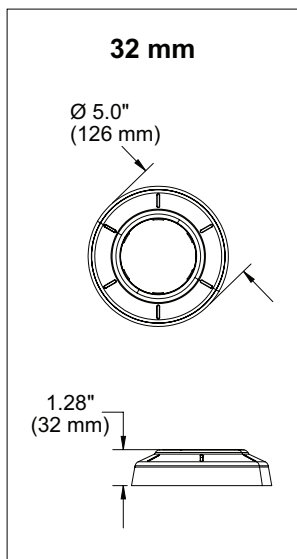
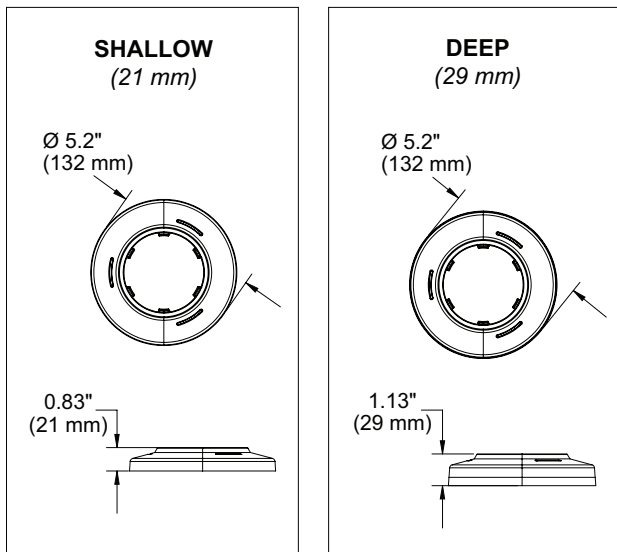
	Shallow (21 mm) Fiberglass Installs	Deep (29 mm) Vinyl Installs	32 mm GloBrite Vinyl Retrofits	16 mm GloBrite Gunite Retrofits	36 mm GloBrite Fiberglass Retrofits
Gray	619110	619116	619122	619128	619134
White	619111*	619117*	619123	619129	619135
Tan	619112	619118	619124	619130	619136
Black	619113	619119	619125	619131	619137
Blue	619115	619121	619127	619133	619139

*Included with IntelliVibe Mezzo light.

Note: Trim rings come in a 5-count bag.

TRIM RING DIMENSIONS

Refer to the below dimensional images for additional details of each trim ring geometry.



NOTES

NOTES



1620 HAWKINS AVE., SANFORD, NC 27330 • (919) 566-8000
10951 WEST LOS ANGELES AVE., MOORPARK, CA 93021 • (805) 553-5000

All indicated Pentair trademarks and logos are property of Pentair. Third party registered and unregistered trademarks and logos are the property of their respective owners.

© 2025 Pentair. All rights reserved. WWW.PENTAIR.COM



P/N 619141 REV. A 2/13/25