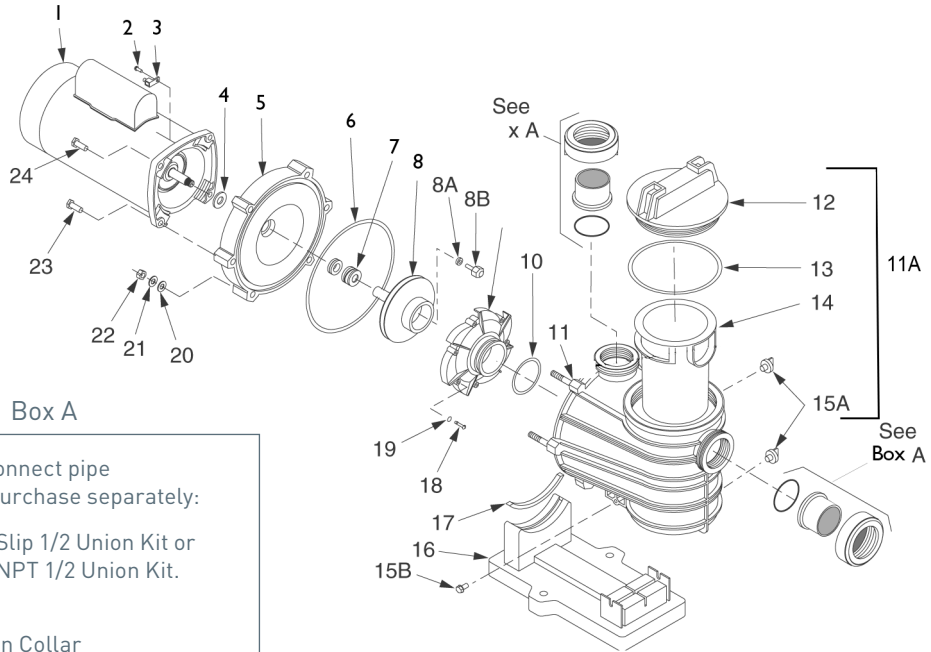


DYNA-GLAS® / DYNA-MAX™ PUMP SERIES

REPLACEMENT PARTS



Box A

For quick disconnect pipe connections, purchase separately:

Pkg. 188-2 in. Slip 1/2 Union Kit or
Pkg. 189-2 in. NPT 1/2 Union Kit.
Includes:

U11-200P Union Collar

U9-362 O-Ring

U11-196P 2 in. Slip Adapter or
U11-199P 2 in. NPT Adapter.

Motor Chart

POINT-OF-SALE, STOCK ROOM, SERVICE VEHICLE		
Attractive, clamshell packaging contains recommended parts for seal/gasket servicing or complete overhaul of most swimming pool/spa pumps. Eliminate the need for large parts inventories, protect parts from damage, and reduce paperwork.		
SEAL/GASKET KITS - Include Shaft Seal, Gaskets, and O-Rings		
Pump Series		Parts Pak #
MPRA, MPEA		PP3000
OVERHAUL KITS - Include Impeller, Shaft Seals, Gaskets, O-Rings, Diffuser, Diffuser Screws and other appropriate hardware.		
Pump Series	HP	Parts Pak #
MPRA, MPEA	3/4	PP3010
MPRA, MPEA	1	PP3011
MPRA, MPEA	1-1/2	PP3012
MPRA, MPEA	2	PP3013

Model No.	HP	Motor No. [Key No. 1]
Single Speed 115/230/60/1		
MPRA6D-146L	3/4	A100DLL
MPRA6E-147L	1	A100ELL
MPRA6F-148L	1-1/2	A100FLL
MPEA6D-146L	3/4	AE100DLL
MPEA6E-147L	1	AE100ELL
MPEA6F-148L	1-1/2	AE100FLL
MPFA6D-176L	3/4	A100DLL
MPFA6E-146L	1	A100ELL
MPFA6F-147L	1-1/2	A100FLL
230/60/1		
MPRA6G-155L	2	A100GLL
MPEA6G-155L	2	AE100GLL
MPEAA6G-168L	2-1/2	AE100G5LL
Two Speed 230/60/1		
MPRA6YF-174L	1-1/2	A100FLL-Y
MPRA6YF-174LS	1-1/2	A100FLL-Y
MPEA6YG-175L	2	AE100GLL-Y
MPEA6YG-175LS	2	AE100GLL-Y
MPEAA6YG-168L	2-1/2	AE100G5LL-Y
MPEAA6YG-168LS	2-1/2	AE100G5LL-Y

DYNA-GLAS® / DYNA-MAX™ PUMP SERIES (CONT'D)

REPLACEMENT PARTS



Item	Part No.	Description
DYNA-GLAS / DYNA-MAX REPLACEMENT PARTS		
1	Chart	Motor
2	U30-692SS	Screw #10-32 x 1/2 in.
3	U17-568	Bonding Lug
4	17351-0009	Slinger
5	C3-184P	Seal Plate
6	U9-373	Seal Plate Cord Ring
7	17351-0101S	Shaft Seal ²
8	C105-236P	Impeller, 3/4 HP - Models MPFA6D-176L, MPEA6D-146L, MPRA6D-146L, MPRA6D-146LC
8	C105-236PB	Impeller, 1 HP - Models MPEA6F-148L, MPEA6E-147L, MPFA6E-146L, MPRA6E-147L, MPRA6E-147LC
8	C105-236PC	Impeller, 1-1/2 HP - Models MPFA6F-147L, MPRA6F-148L, MPRA6F-148LC, MPRA6YF-174L, MPRA6YF-174LS
8	C105-236PDA	Impeller, 2 HP - Models MPEA6G-155L, MPRA6G-155L, MPR6AG-155LC, MPEA6YG-175L, MPEA6YG-175LS
8	C105-236PEA	Impeller, 2-1/2 HP - Models MPEAA6G-168L, MPEAA6YG-168L, MPEAA6YG-168LS
8	C105-236PF	Impeller, 1-1/2 HP (MPRA6Y, MPEA6Y and MPEAA6Y only)
8	C105-236PGAB	Impeller, 2 HP (MPRA6Y, MPEA6Y and MPEAA6Y only)
8	C105-236PEA	Impeller, 2-1/2 HP (MPRA6Y, MPEA6Y and MPEAA6Y only)
8	C105-236PJ	Impeller, 3/4 HP (MPFA6D, MPFA6E, MPFA6F only)
8	C105-236P	Impeller, 1 HP (MPFA6D, MPFA6E, MPFA6F only)
8	C105-236PB	Impeller, 1 HP (MPFA6D, MPFA6E, MPFA6F only)
8A	33455-1047	Gasket - 2 HP, 2-1/2 HP
8B	37337-6080	Impeller Lock Screw

Item	Part No.	Description
9	C1-270P	Diffuser - 1-1/2 HP, 2 HP, 2-1/2 HP
9	C1-270PB	Diffuser - 3/4 HP, 1 HP (MPFA6D, MPFA6E, MPFA6F only)
9	C1-270PC	Diffuser - 1-1/2 HP (MPFA6D, MPFA6E, MPFA6F only)
10	U9-374	Diffuser O-Ring
10	357098Z	Diffuser O-Ring (Blue Coating)
11	C76-58P	Tank and Trap Body (Only)
11A	C176-71P	Tank and Trap Assy (Includes #11, 12, 13, 14, 15A)
12	C3-185P	Trap Cover
12A	C3-185P3	Trap Cover (Biquanide Resistant)
13	U9-375	Trap Cover O-Ring
14	C8-58P	Trap Basket
15A	U78-920P	Drain Plug without O-ring
15B	U30-919SS	Mounting Screw 5/16-14 x 5/8 in.
16	C4-77P	Base - Plastic
17	C35-45	Motor Pad - for Plastic Base
17	C35-5	Motor Pad - for Steel Base (LS Suffix)
18	U30-542SS	Screw #8-32 x 7/8 in. Rd. Hd.
19	U43-21SS	Lock Washer #8 Ext. Tooth
20	U43-62SS	Flat Washer 3/8 in.
21	U43-12SS	Lock Washer 3/8 in.
22	U36-38SS	Nut 3/8-16 Hex
23	U30-75SS	Cap Screws 3/8 x 16 x 1-3/4 in. Hex. (LS Suffix)
24	U30-74SS	Cap Screws 3/8 x 16 x 1 in. Hex ¹
NOT SHOWN		
	U43-12SS	Lock Washer 3/8 in. (LS Suffix)
	U9-359	Drain Plug O-Ring
	17303-0113	Base - Steel (LS Suffix)

¹ Models with "LS" suffix use 2 only.

² Replaces U109-358SS (effective 6/00).