



AUTOMATION PARTS

Product Catalog 2021

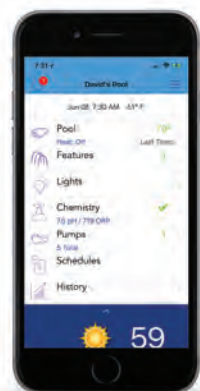
Automation Parts

INTELLICENTER® CONTROL SYSTEM REPLACEMENT PARTS

Part No.	Description	US List	Can. List
CIRCUIT BOARD REPLACEMENT PARTS			
523050	i5P Replacement Outdoor Control Panel Circuit Board with Faceplate for Common Load Center/Common Power Center	1340.48	1610.72
523051	i5X Expansion Replacement Circuit Board with Faceplate for Common Load Center/Common Power Center	1639.03	1969.46
521936Z	i5PS Personality Card Circuit Board (expansion card that slide connects to the i5P main board - replacement or upgrading a system)	CALL	CALL
521977Z	i8P Personality Card Circuit Board (expansion card that slide connects to the i5P main board - replacement or upgrading a system)	CALL	CALL
521968Z	i8PS Personality Card Circuit Board (expansion card that slide connects to the i5P main board - replacement or upgrading a system)	CALL	CALL
521993Z	i10P Personality Card Circuit Board (expansion card that slide connects to the i5P main board - replacement or upgrading a system)	CALL	CALL
521873Z	i10PS Personality Card Circuit Board (expansion card that slide connects to the i5P main board - replacement or upgrading a system)	CALL	CALL
523029Z	i10D Personality Card Circuit Board (expansion card that slide connects to the i5P main board - replacement or upgrading a system)	CALL	CALL
522997Z	i10X Expanish Card Circuit Board (expansion card that slide connects to the i5X main board - replacement or upgrading a system)	2534.68	3045.67
WIRELESS REPLACEMENT PARTS			
522051	Wireless Remote (replacement remote only)	CALL	CALL
522052	Charging Cradle plus Transformer	CALL	CALL
522053Z	Wireless Wall Mounting Kit with Hardware (included in every IntelliCenter Wireless Remote Kit - allows remote to hang on a wall like an indoor control panel - no charging provided while hanging on wall, wireless remote must be placed on charging cradle periodically to charge)	CALL	CALL
520830Z	Wireless Transformer (for wireless remote charging cradle)	CALL	CALL
520244	Transceiver Enclosure with Mounting Hardware (does not contain the transceiver circuit board)	101.07	121.45
522054	Battery for Wireless Remote (with flat door)	CALL	CALL
521984Z	Wireless Transceiver Circuit Board (for use in 520244)	CALL	CALL
522056Z	Wireless Transceiver Circuit Board plus Enclosure with Mounting Hardware (includes both 520244 and 521984Z)	CALL	CALL
523355	Wireless Remote Repeater Kit (used when longer range is required for the IntelliCenter wireless remote)	CALL	CALL
MISCELLANEOUS REPLACEMENT PARTS			
522978Z	Battery for Indoor Control Panel and Outdoor Control Panel	41.77	50.19
522102Z	System Transformer	CALL	CALL
523345	Circuit Breaker Kit: 4-Amp Breaker	CALL	CALL
523346	Circuit Breaker Kit: 5-Amp Breaker	CALL	CALL
522004Z	Bezel Faceplate for Common Load Center/Common Power Center (with overlay)	CALL	CALL
522005Z	Faceplate for Load Center/Power Center, IT/ET OCP Upgrade	CALL	CALL



IntelliCenter Wireless Control Panel
P/N 522036



IntelliCenter Mobile Interface



Controller Options

INTELLITOUCH® AUTOMATION REPLACEMENT PARTS

Part No.	Description	US List	Can. List
NEW INTELLITOUCH AUTOMATION REPLACEMENT PARTS			
521227	Replacement Load Center Door	313.16	376.29
521057Z	New Load Center 150A 10 Circuit Breaker Base	312.25	375.20
521233	Load Center System Transformer, after change date	233.20	280.21
521051Z	New Load Center High Voltage Cover Panel Dead Front	156.55	188.11
521078Z	New Power Center High Voltage Cover Panel	154.14	185.21
521081Z	Door Latch	75.10	90.24
521228	New OCP Bezel, i5+3, i7, i9+3	105.87	127.21
521229	New OCP Bezel, i10+3D	129.33	155.40
521230	New OCP Bezel, i5+3S, i9+3S	114.53	137.62
521231	New OCP Bezel, i5x, i10x	129.33	155.40
521441	IntelliChlor System Transformer, after change date	327.82	393.91
520151Z	Kit Bkt Mtg LC & PC	114.61	137.72
520724	Pwr Cable For IntelliChlor SCG Systems	126.10	151.52
521218	New Load Center IntelliChlor SCG Surge Board PCBA	403.47	484.81
8520031Z	Repl. Circuit Breaker (3 Amp)	51.35	61.70
521142Z	New Load Center Resettable 12A 50V Scg Circuit Breaker	75.10	90.24
8023304	4-Pin Com Port Connector	12.32	14.80
522101	Solar Temperature Sensor (black)	CALL	CALL
RLYHTR	Heater Relay Repair Kit	174.77	210.00
520106	Relay Kit, 20 Amp	123.13	147.95
RCS1	Spa Jets Switch, Wall Mount, Single Gang Plate	216.35	259.97
CRALX	Adapter, 1 Relay Controlled By 2 Circuits	187.52	225.32
INTELLITOUCH AUTOMATION REPLACEMENT PARTS			
520287	Circuit Board, Universal Outdoor Controller (Mother Board)	1512.61	1817.55
520265	Circuit Board, i5+3 Personality	CALL	CALL
520266	Circuit Board, i7+3 Personality	CALL	CALL
520267	Circuit Board, i9+3 Personality	CALL	CALL
520296Z	Circuit Board, i5+3S Personality	569.06	683.78
520078Z	Circuit Board, i9+3S Personality	3288.32	3951.25
520077Z	Circuit Board, i10+3D Personality	3288.32	3951.25
520080Z	Circuit Board, i5X Personality	569.06	683.78
520079Z	Circuit Board, i10X Personality	2403.02	2887.47
520273	Cover Plate, IntelliTouch Indoor Control Panel, White	73.19	87.95
520276	Mounting Sheaves, IntelliTouch Indoor Control Panel	24.36	29.27
520277	Mounting Hardware, IntelliTouch Indoor Control Panel	23.02	27.66
520281	Breaker Base, IntelliTouch Load Center 4/8 Position	209.54	251.78
8520031Z	Repl. Circuit Breaker (3 Amp)	51.35	61.70
520342	Replacement System Transformer Assembly, IntelliTouch	621.97	747.36
520272	Water Temp Sensor 10k Ohm, 20' Length	86.97	104.50
520405	IntelliTouch Load Center Replacement Door	232.38	279.23

Part No.	Description	US List	Can. List
BAT3	Battery, 3-Volt Lithium	20.28	24.37
520119Z	Old LC High Voltage Cover Panel	77.25	92.82
9321004	Clamp For Water Temperature Sensor	5.82	6.99
520108	Terminal Screw 4 Wire (Green)	24.26	29.15
520343	iS10 Mounting Kit	72.09	86.62
520062	Control Panel Bezel, i5+3, i7, i9+3	113.83	136.78
520303	Control Panel Bezel, i10+3D	129.33	155.40
520304	Control Panel Bezel, i5+3S, i9+3S	123.12	147.94
520302	Control Panel Bezel, i5x, i10x	CALL	CALL
520498	Touch Panel, ACC ITC35	CALL	CALL
520499	Tablet, ACC ITC45	CALL	CALL
8023304	4-Pin Com Port Connector	12.32	14.80
WIRELESS REMOTE REPLACEMENT PARTS			
522620	ScreenLogic Wireless Transceiver (mid-2016)	CALL	CALL
520341	Wireless Remote Antenna Only, before change date/pre version____	1097.89	1319.22
520217	Wireless Remote Antenna Only, after change date/pre version____	73.84	88.73
520244	MobileTouch I & II Transceiver Enclosure with Mounting Hardware	101.07	121.45
520946Z	Wireless Remote Antenna and Transceiver Complete Kit, works with all versions	565.02	678.93
520830Z	MobileTouch II Transformer with Cord	CALL	CALL
520834Z	MobileTouch II Charging Cradle	199.18	239.33
520815Z	MobileTouch II Battery & Door	402.44	483.57
520191	MobileTouch I Transformer with Cord	49.23	59.15
520217	Antenna For Mobiletouch 1 Transceiver	73.84	88.73
520907	MobileTouch II Wireless Remote Replacement	CALL	CALL
520946Z	Mobiletouch II Transceiver Circuit Board With Attached Antenna	565.02	678.93
8520031Z	Repl. Circuit Breaker (3 Amp)	51.35	61.70
521245	QuickTouch II Remote Replacement	CALL	CALL
521246	QuickTouch II Receiver Replacement	CALL	CALL
INTELLITOUCH AUTOMATION LABELS			
520658	Indoor Control Panel Labels (Qty. 10)	130.46	156.76
520283	Outdoor Panel Labels (Qty. 10)	172.39	207.14
521227	New Load Center Door w/ET & IT Labels (Qty. 10)	313.16	376.29
520344	iS10 Label Set (Qty. 10)	184.72	221.96
522082	iS4 Label Set (Qty. 10) - New Style	49.25	59.18
520173	iS4 Label Set (Qty. 10) - Old Style	49.23	59.15

CALIFORNIA PROPOSITION 65 WARNING
 ⚠️ **WARNING:** Cancer and Reproductive Harm.
 ⚠️ **AVERTISSEMENT:** Peut Causer le Cancer et des Dommages au Système Reproducteur.
 ⚠️ **ADVERTENCIA:** Cáncer y Daño Reproductivo.
www.p65warnings.ca.gov

Product on pages 36–41.

EASYTOUCH® & EASYTOUCH PL4/PSL4 CONTROL SYSTEMS REPLACEMENT PARTS

Part No.	Description	US List	Can. List
NEW EASYTOUCH CONTROL SYSTEMS REPLACEMENT PARTS			
521227	Replacement Load Center Door	313.16	376.29
521057Z	Load Center 125A 8 Circuit Breaker (size), after change date	312.25	375.20
521232	Fold-down Bezel Replacement, after change date	104.32	125.35
521051Z	Load Center, High Voltage Cover Panel (size), after change date	156.55	188.11
521233	Load Center System Transformer, after change date	233.20	280.21
521218	IntelliChlor CG Board, after change date	403.47	484.81
521142Z	Fuse, CG IntelliChlor 12A-50V Resettable Circuit Breaker, after change date	75.10	90.24
521441	IntelliChlor System Transformer, after change date	327.82	393.91
520151Z *	Mounting Bracket Kit for (LC & PC RPLC), all Load Centers	114.61	137.72
521081Z *	Door Latch Assy (RPLC), all Load Centers	75.10	90.24
8520031 *	Internal Circuit Breaker Assy, all Load Centers	CALL	CALL
8023304 *	4-Pin Com Port Connector	12.32	14.80
520724	IntelliChlor Cell/PCBA Power Cable For Intellichlor SCG Systems	126.10	151.52
520946Z *	EasyTouch Transceiver Circuit Board with Attached Antenna	565.02	678.93
520691	Wireless Control Only, 4 Aux.	CALL	CALL
520692	Wireless Control Only, 8 Aux	CALL	CALL
520546	Wireless Control Complete w/Antenna & Transceiver	CALL	CALL
520547	Wireless Control Complete w/Antenna & Transceiver	CALL	CALL
522101 *	Solar Temperature Sensor (black)	CALL	CALL
RLYHTR *	Relay, Heater Repair Kit, includes RLY Replacement Relay with board connection wire	174.77	210.00
520106 *	Relay Kit, 20 Amp	123.13	147.95
RCS1 *	Spa Jets Switch, Wall Mount, Single Gang Plate	216.35	259.97
CRALX *	Adapter, 1 Relay Controlled By 2 Circuits	187.52	225.32
EASYTOUCH CONTROL SYSTEMS REPLACEMENT PARTS			
522620	ScreenLogic Wireless Transceiver (mid-2016)	CALL	CALL
520217	Antenna, EasyTouch Transceiver Module	73.84	88.73
520595	IntelliChlor Replacement Unions (Contains 2 O-Rings, 2 Couplers, 2 Nuts)	46.26	55.59
520655	Replacement Load Center Door (size), before change date	CALL	CALL
520656	Load Center 150A 10 Circuit Breaker (size), before change date	104.32	125.35
520651	Load Center, High Voltage Cover Panel (size), before change date	156.54	188.10
520652	Indoor Control Panel Backplate with Connectors Attached	36.48	43.83
520660	Laptop Trainer	CALL	CALL
520653	Load Center System Transformer, before change date	391.42	470.33

Part No.	Description	US List	Can. List
520657	Motherboard With 8 Aux Pool/Spa Combo	1247.49	1498.98
520659	Motherboard With 4 Aux Pool/Spa Combo	829.92	997.23
520711	Motherboard 8 Aux (Single Body)	1247.49	1498.98
520712	Motherboard 4 Aux (Single Body)	829.92	997.23
520722	IntelliChlor System Transformer, before change date	327.81	393.90
520723	IntelliChlor CG Board, before change date	403.46	484.80
520724	IntelliChlor Cell/PCBA Power Cable For Intellichlor SCG Systems	126.10	151.52
520714Z	Fuse, CG IntelliChlor 10A Resettable Circuit Breaker, before change date	38.01	45.67
8520031Z *	Fuse, Control 3A Resettable Circuit Breaker	51.35	61.70
521245 *	QuickTouch II Remote Replacement	CALL	CALL
521246 *	QuickTouch II Receiver Replc.	CALL	CALL
8023304 *	4-Pin Com Port Connector	12.32	14.80
LABELS			
520658 *	Indoor Control (Qty. 10)	130.46	156.76
520658 *	Wireless Remote (Qty. 10)	130.46	156.76
520283 *	Outdoor Panel Labels (Qty.10)	172.39	207.14
521227	Replacement Load Center Door (size), before change date	313.16	376.29
520658 *	Indoor Control Panel & Wireless Remote Features Label (Set Of 10)	130.46	156.76
520124	Quicktouch I Labels (Qty. 10), before change date	103.19	123.99
521408Z *	Quicktouch II Labels (Qty. 10), after change date	CALL	CALL
SCREW TERMINALS, CIRCUIT BOARD PLUG-IN TYPE, EASYTOUCH			
8023302 *	Comport, 2 Position	10.29	12.36
8023304 *	Comport, 4 Position	12.32	14.80
8023306 *	Comport, 6 Position	20.63	24.79
8023308 *	Comport, 8 Position	25.82	31.03
8023310 *	Comport, 10 Position	30.25	36.35
8023312 *	Comport, 12 Position	32.98	39.63
EASYTOUCH PL4/PSL4			
522523	PL4 OCP replacement PCBA	CALL	CALL
522524	PSL4 OCP replacement PCBA	CALL	CALL
522525	PL4/PSL4 OCP replacement Control Panel bezel	CALL	CALL
522526	EasyTouch PL4/PSL4 Wireless remote replacement	CALL	CALL

* Also parts for EasyTouch PL4/PLS4

CALIFORNIA PROPOSITION 65 WARNING

⚠️ **WARNING:** Cancer and Reproductive Harm.
 ⚠️ **AVERTISSEMENT:** Peut Causer le Cancer et des Dommages au Système Reproducteur.
 ⚠️ **ADVERTENCIA:** Cáncer y Daño Reproductivo.

www.p65warnings.ca.gov. PH 201714

SUNTOUCH® AND SOLARTOUCH® CONTROL SYSTEMS REPLACEMENT PARTS

Part No.	Description	US List	Can. List
SUNTOUCH CONTROL SYSTEMS REPLACEMENT PARTS			
520940Z	SunTouch Solar Circuit Board	419.30	503.83
520645Z	SunTouch Pool/Spa Circuit Board	419.30	503.83
520941Z	SunTouch Single Body Circuit Board	419.30	503.83
520814Z	Kit Door Enclosure Small	122.83	147.59
520272	Water Temp Sensor 10k, ___ Length	84.68	101.75
520841Z	Kit SunTouch Transformer	165.17	198.47
521245	Quicktouch II Remote Replacement	CALL	CALL
522101	Solar Temperature Sensor (Black)	CALL	CALL

Part No.	Description	US List	Can. List
SUNTOUCH CONTROL SYSTEMS REPLACEMENT PARTS (CONT'D)			
521246	QuickTouch II Receiver Replacement	CALL	CALL
520942Z	Circuit Breaker	38.12	45.80
SOLARTOUCH CONTROL SYSTEMS REPLACEMENT PARTS			
521605	Power Circuit Board Assembly (Bottom Of Enclosure)	349.72	420.22
521604	Control Panel Replacement Board Assembly (Bezel And Circuit Board)	279.06	335.32
521516	SolarTouch Door Replacement	49.42	59.38
522101	Solar TempSensor, 10k, ___ Length	CALL	CALL

CALIFORNIA PROPOSITION 65 WARNING
⚠ WARNING: Cancer and Reproductive Harm.
⚠ AVERTISSEMENT: Peut Causer le Cancer et des Dommages au Système Reproducteur.
⚠ ADVERTENCIA: Cáncer y Daño Reproductivo.
www.p65warnings.ca.gov PN 281514

Product on pages 46–47.

COMPOOL® CONTROL SYSTEM REPLACEMENT PARTS



Part No.	Description	US List	Can. List
CABLE CONNECTORS & ADAPTORS			
6CONDTEST	Test Cable, (6-Conductor)	14.27	17.15
520001	Adaptor 6-Conductor Flat To Multiple-Pair Cable	48.48	58.25
520008	Splice 26-22 AWG Weather-Proof (100 Qty Per Bag)	84.00	100.93
CON6	Connectors For 6-Conductor Flat Cable (4 Qty)	19.17	23.03
9987013	Crimping Tool 6 Pin RJ-11 Telephone-Type Connector	72.20	86.76
8761047	Cable, PC Board Harness, 2 Cond. Red/Black W/Plugs	13.77	16.55
SCREW TERMINALS, CIRCUIT BOARD PLUG-IN TYPE, INTELLITOUCH			
8023302	Comport, 2 Position	10.29	12.36
8023304	Comport, 4 Position	12.32	14.80
8023306	Comport, 6 Position	20.63	24.79
8023308	Comport, 8 Position	25.82	31.03
8023310	Comport, 10 Position	30.25	36.35
8023312	Comport, 12 Position	32.98	39.63
BATTERIES, CIRCUIT BREAKERS, SURGE SUPPRESSORS			
AI101	Surge Suppressor (115V)	470.98	565.93
AI201	Surge Suppressor (230V)	470.98	565.93
BAT3	Battery, 3-Volt Lithium	20.28	24.37
CB3	Circuit Breaker (3 Amp)	35.68	42.87
FREEZE PROTECTION SENSORS (NOT FOR USE WITH CP3800 FAMILY)			
FPSAUX	Auxiliary Pump Freeze Sensor	CALL	CALL
FPSC	Filter Pump Freeze Sensor	CALL	CALL
EQUIPMENT IDENTIFICATION LABELS			
LBL100	Label Set For CP100 Indoor Control Panel	CALL	CALL
520124	Label Set For QuickTouch Wireless Remote	103.19	123.99
520173	Label Set For is4 Spa-Side Remote	49.23	59.15
LBL3800	Label Set For Indoor Control Panel CP3800 Family	48.03	57.71

Product on page 47.

COMPOOL® CONTROL SYSTEM REPLACEMENT PARTS (CONT'D)

Part No.	Description	US List	Can. List
POWER CENTER HARDWARE (BLACK PLASTIC ENCLOSURE)			
LXLATCH	Latch, For Door	72.09	86.62
LXLID2	Lid, Latching Enclosure	127.21	152.86
LXPIN	Hinge Pins For Interior Faceplate, Set Of 2	24.34	29.25
ENCLLX	Enclosure For Power Center	330.93	397.65
FKNDBG	Thermostat Knob	25.48	30.62
520006	Dead Panel, High Voltage	110.55	132.84
9541143	Enclosure - CP3** Cover/Base/Doors	29.46	35.40
POWER CENTER (BLACK PLASTIC ENCLOSURE)			
LX820	Emergency Shut-Off Controller/Power Center	CALL	CALL
LOAD CENTER HARDWARE (ALMOND STEEL ENCLOSURE)			
520005	Latch For Cover Enclosure--For Load Center	34.38	41.31
520006	Dead Panel, High Voltage	110.55	132.84
CIRCUIT BOARDS FOR INDOOR CONTROL PANELS			
PCCP100	Circuit Board For CP100 #11057	CALL	CALL
CIRCUIT BOARDS FOR POWER CENTERS AND RF RECEIVERS			
MODESO	Module For ESO-2 Emergency Shut-Off Switch #11111	364.93	438.50
PCLX80	Circuit Board For LX80 #10688	712.68	856.36
PCLX820	Circuit Board For LX820 #10853	407.26	489.36
RELAYS AND RELAY ACCESSORIES			
RLYHTR	Heater Relay Repair Kit	174.77	210.00
RLYLX	Relay Kit, 20 Amp	155.15	186.43
RLYLX3HP	Additional 25 Amp, 3 HP Power Relay (For Auxiliary Equipment)	197.04	236.76
RLYLXD	Relay Kit For 2-Speed Pump	242.40	291.27
RLYNC	Relay Kit 20 Amp (DPDT) For Special Applications Only	155.15	186.43
RLYSC	Relay Kit For LX220 & LX820, 20 Amp	140.60	168.94
RLYSC3HP	25 Amp, 3 HP Power Relay For LX220 And LX820 Systems	184.72	221.96
RYALX	Adapter, 2 Relays Controlled By 1 Circuit	80.89	97.20
CRALX	Adapter, 1 Relay Controlled By 2 Circuits	187.52	225.32
520403	Dual Heater Relay Kit	228.44	274.49
OUTDOOR REMOTES FOR CP3800 FAMILY OR SYSTEMS (FULL FUNCTION)			
520345	is10 for CP3800 Family Includes 6Cond Adapter1	CALL	CALL
SWITCHES			
6010102	On/Off Switch for CP30 Remote Panel, 2 Position	51.73	62.16
6010103	On/Off/On Switch For CP30 Remote Panel, 3 Position	51.73	62.16
ESO2	Shut-Off Switch with Alarm, Double Gang Plate	407.26	489.36
RCS1	Spa Jets Switch, Wall Mount, Single Gang Plate	216.35	259.97

CALIFORNIA PROPOSITION 65 WARNING

⚠ **WARNING:** Cancer and Reproductive Harm.
 ⚠ **AVERTISSEMENT:** Peut Causer le Cancer et des Dommages au Système Reproducteur.
 ⚠ **ADVERTENCIA:** Cáncer y Daño Reproductivo.
www.p65warnings.ca.gov



PCLX80



MODESO



RLYLXD



RLYLX



ESO2



RLYHTR



RLYSC

COMPOOL® CONTROL SYSTEM REPLACEMENT PARTS



6870002



TMRLX



XFM1BK



XFM3BK



XFM20

CALIFORNIA PROPOSITION 65 WARNING
 ⚠️ **WARNING:** Cancer and Reproductive Harm.
 ⚠️ **AVERTISSEMENT:** Peut Causer le Cancer et des Dommages au Système Reproducteur.
 ⚠️ **ADVERTENCIA:** Cáncer y Daño Reproductivo.
www.p65warnings.ca.gov PK2011A

Part No.	Description	US List	Can. List
SPA-SIDE AND WIRELESS REMOTES			
520173	Label Set, Pack Of 10 For is4 Spa-Side Remote	49.23	59.15
520124	Label Set, Pack Of 10 For QuickTouch Wireless	103.19	123.99
TELEPHONE REMOTE CONTROL (FOR CP3800 FAMILY)			
6870002	Module For Telephone Remote Control	CALL	CALL
TIMERS			
TMRLX	Timer, 24 Hour Mechanical	169.64	203.84
TEMPERATURE SENSORS			
TS5L	Temp Sensor Linear (Red & Green Wires) Compool	101.28	121.70
520272	Water Temp Sensor 10k, ___ Length	86.97	104.50
9142109	O-Ring, 5/16 In. for Temperature Sensor	4.87	5.85
9321004	Clamp for Water Temperature Sensor	5.82	6.99
VALVE ACTUATORS AND PARTS			
263045	CVA-24T Valve Actuator, 24 Volt AC, 180 Degree Rotation	CALL	CALL
263044	CVA-24Y Valve Actuator, 24 Volt AC, 120 Degree Rotation	CALL	CALL
263043	CVA-24L Valve Actuator, 24 Volt AC, 90 Degree Rotation	CALL	CALL
270078	Circuit Board w/Selector Switch	103.13	123.92
270077	Gear Set for CVA-24; Set Of 3	61.09	73.41
4231033	Motor For CVA-24	244.33	293.59
CVASCR	Mounting Screws (4) For CVA-24 To Compool Valve	20.28	24.37
CVASCRJ	Mounting Screws (4) For CVA-24 To Pacfab Valve	20.28	24.37
520010Z	Micro-Switch Set (2) With Levers & Screws For CVA-24	93.47	112.31
SK5V	Shaft Coupling CVA-24 To Ortega Valve	53.98	64.86
OVA2	Adapter Kit, CVA-24T To Ortega Valve, 2 In.	117.89	141.66
TRANSFORMERS			
XFM1BK	Transformer Assembly For LX20, LX30, LX36 & LX80	290.95	349.61
XFM3BK	Transformer Assembly For CP3800 Family	290.95	349.61
XFM20	Transformer Assembly For LX120, LX220, LX420 & LX820	152.73	183.52

SPACOMMAND® SPA-SIDE REMOTE REPLACEMENT PARTS



21500

521501

521502

Part No.	Description	US List	Can. List
SPACOMMAND SPA-SIDE REMOTE			
521500	SpaCommand Replacement Plastics Kit	75.10	90.24
521501	SpaCommand Replacement 150 Ft. Cable	154.14	185.21
521502	SpaCommand Replacement 250 Ft. Cable	233.20	280.21
521852	SpaCommand Replacement Control Only (White)	1070.85	1286.73
521853	SpaCommand Replacement Control Only (Black)	1070.85	1286.73
SPACOMMAND LABELS			
521503	SpaCommand Labels White (Qty. 1)	114.61	137.72
521504	SpaCommand Labels Black (Qty. 1)	114.61	137.72
522500	SpaCommand Labels White (Qty. 5)	CALL	CALL
522501	SpaCommand Labels Black (Qty. 5)	CALL	CALL

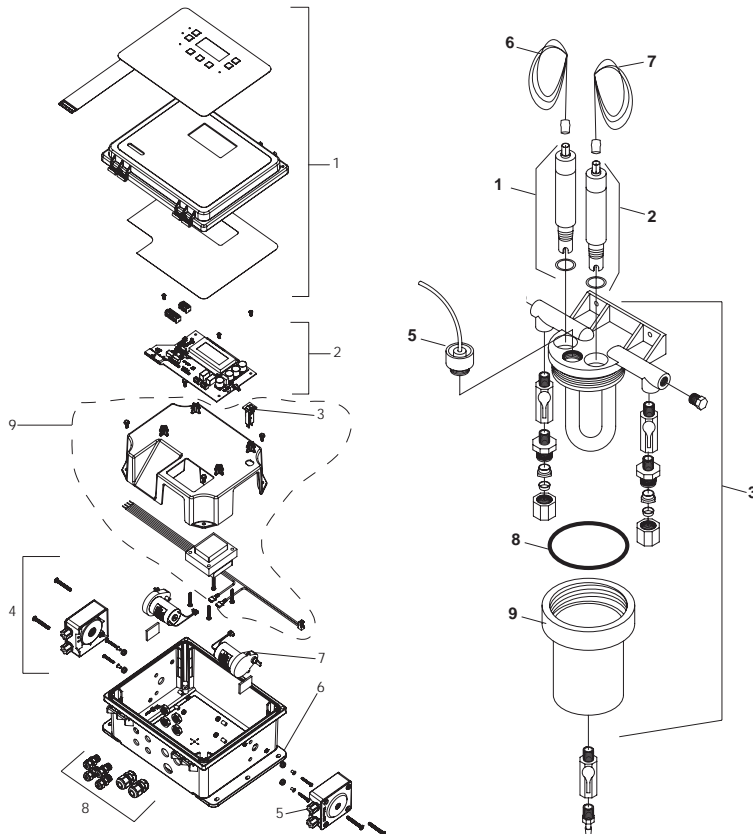
Product on page 40.

INTELLICHEM® CHEMICAL CONTROLLER REPLACEMENT PARTS

Item	Part No.	Description	US List	Can. List
INTELLICHEM CONTROLLER REPLACEMENT PARTS				
1	521465Z	Top Half (Lid with overlay and wiring diagram)	363.99	437.37
2	521319Z	Controller PCBA	CALL	CALL
3	8520031Z	Circuit Breaker	51.35	61.70
4	521348Z	SHURflo Pumphead (prior to 2012)	79.01	94.94
5	521466Z	Jaco® Fitting for SHURflo Pumphead	44.10	52.99
6	521467Z	Controller Mounting Brackets	55.10	66.21
7	521338Z	Motor for SHURflo Pumphead (prior to 2012)	233.20	280.21
8	521468Z	Strain Relief Kit	86.96	104.49
9	521335Z	Transformer with Mounting Plate	253.70	304.85
INTELLICHEM FLOW CELL REPLACEMENT PARTS				
1	522186	pH Sensor (1-year warranty)	168.25	202.17
2	522187	ORP Sensor (1-year warranty)	236.95	284.72
3	754000310	Flow Cell with Flow Switch	CALL	CALL
	521342Z	Parts Bag	312.25	375.20
5	754000440	Flow Switch with Magnet	CALL	CALL
	754000410	Magnet for Flow Switch	CALL	CALL
6	744000290	Cable for pH Sensor, 3 ft.	CALL	CALL
7	744000360	Cable for ORP Sensor 3 ft.	CALL	CALL
8	754000350	O-Ring for Flow Jar	CALL	CALL
9	754000340	Jar for Flow Cell	CALL	CALL

Item	Part No.	Description	US List	Can. List
OPTIONAL ACCESSORIES				
	521814	3/8" Black Tubing, 20 Ft.	CALL	CALL
	744000280	Cable, pH Sensor, 10 Ft.	CALL	CALL
	744000350	Cable, ORP Sensor, 10 Ft.	CALL	CALL
	755000350	3/8" Black Tubing 100 ft.	CALL	CALL
	522010Z	Inline Filter	25.58	30.74
	606000100Z	Fitting 3/8" Tube x 1/4" NPT	5.23	6.28
	620000040Z	Plug 1/4" NPT	2.27	2.73
	620000130Z	Nipple 1/4" NPT	2.27	2.73
	622000080Z	Ball Valve 1/4" NPT	29.55	35.51
	R172032Z	Fitting 3/8" Tube to Bypass Clamp	6.64	7.98
	R172033Z	Rubber Gasket for Bypass Clamp	2.86	3.44
	R172036Z	O-Ring Lubricant	10.98	13.19
	522347Z	Bypass Clamp (replaces R172034)	33.59	40.36

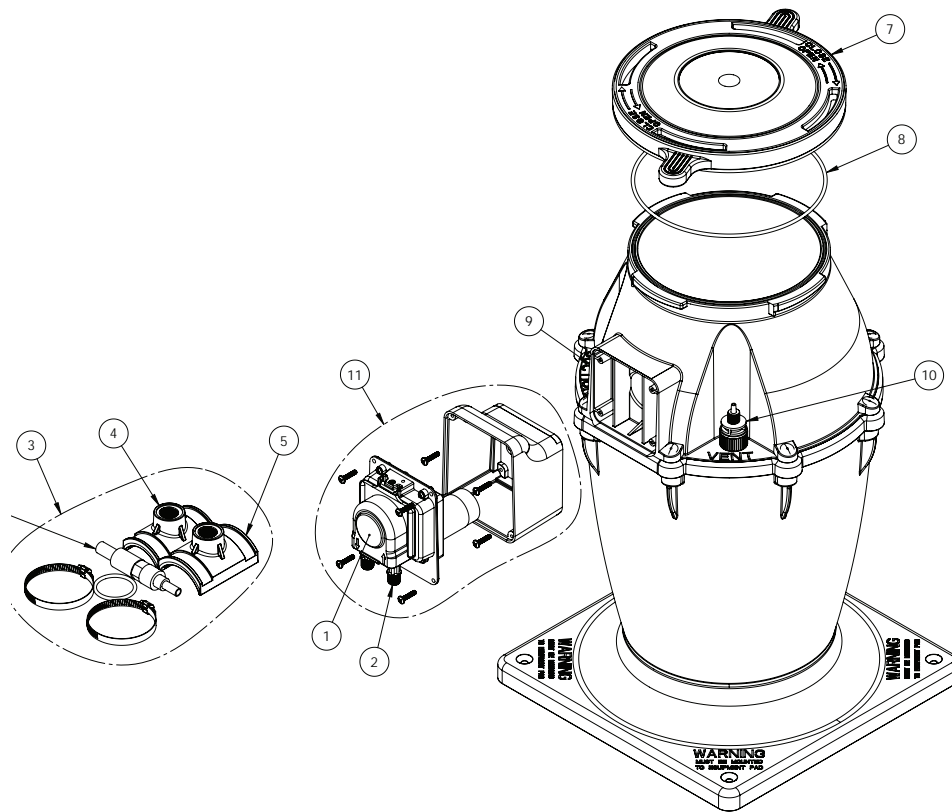
*Pentair recommends replacing peristaltic pump tubes every 6 months



CALIFORNIA PROPOSITION 65 WARNING

⚠ **WARNING:** Cancer and Reproductive Harm.
 ⚠ **AVERTISSEMENT:** Peut Causer le Cancer et des Dommages au Système Reproducteur.
 ⚠ **ADVERTENCIA:** Cáncer y Daño Reproductivo.
www.p65warnings.ca.gov

INTELLICHEM® CHEMICAL TANK REPLACEMENT PARTS

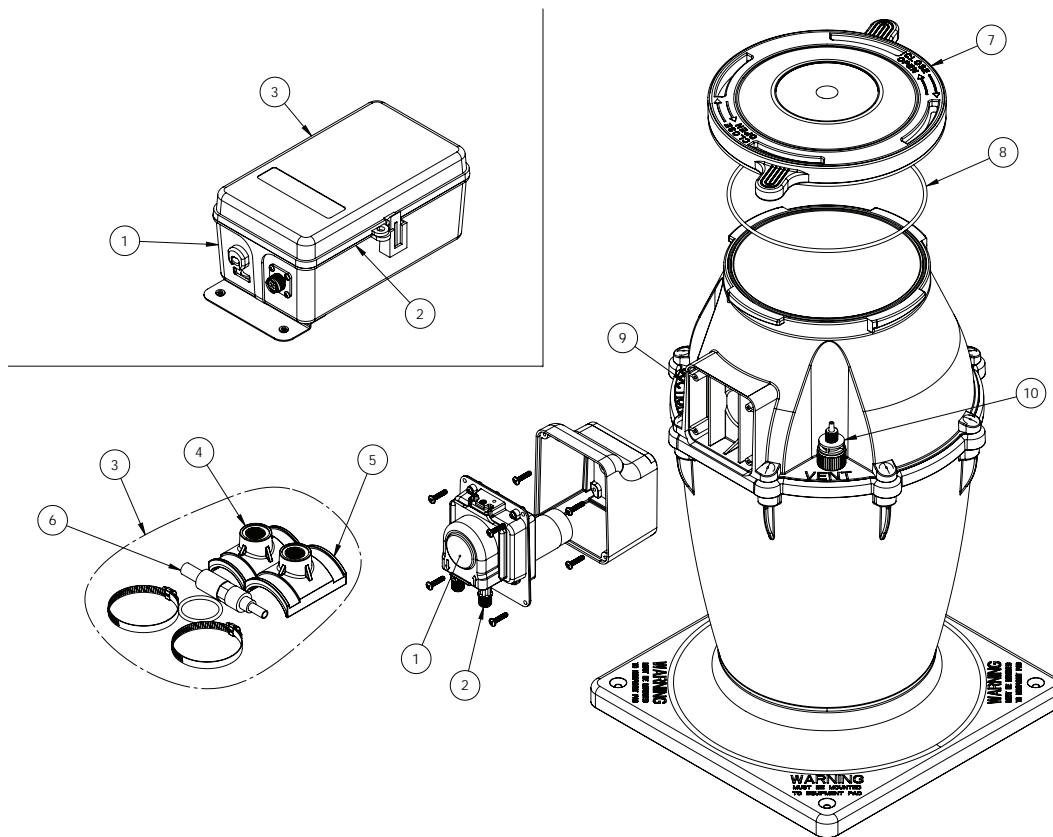


Item	Part No.	Description	US List	Can. List
INTELLICHEM REPLACEMENT CHEMICAL CONTAINER				
	522472	Acid Tank with Tank Mounted Pump for IntelliChem	CALL	CALL
	522473	Chlorine Tank with Tank Mounted Pump for IntelliChem	CALL	CALL
	521378	Acid Container for IntelliChem (Requires Separate Pump)	CALL	CALL
	521397	Chlorine Container for IntelliChem (Requires Seperate Pump)	CALL	CALL
INTELLICHEM CHEMICAL CONTAINER REPLACEMENT PARTS				
	522384	1/4" Black Tubing for Chemical Injection with Labels, 20 Ft.	CALL	CALL
	522446	1/4" Black Tubing for Chemical Injection with Labels, 100 Ft.	CALL	CALL
1	522386	Repair Kit for Tank Mounted Pump	131.13	157.57
2	522480	Pump Tubes for Tank Mounted Pump, 2 Pk.	63.89	76.77

Item	Part No.	Description	US List	Can. List
INTELLICHEM CHEMICAL CONTAINER REPLACEMENT PARTS CONT'D.				
3	521895	Kit IPH RPLC ACC Bag (Includes ball, spring, saddle clamp parts)	CALL	CALL
4	521511	Saddle Clamp for 1- 1/2" Pipe (Requires Check Valve)	47.14	56.64
5	521512	Saddle clamp for 2" Pipe (Requires Check Valve)	54.38	65.34
6	522513Z	Injection Check Valve	36.95	44.40
7	521505	Lid for Acid Container	76.16	91.51
7	521506	Lid for Chlorine Container	76.16	91.51
8	521507	O-Ring for Container Lid, 5-Pk.	90.67	108.95
9	521508	Suction Fitting, Black	36.24	43.55
10	521509	Vent Fitting, Grey	39.87	47.91
11	522478Z	Upgrade Kit for IntelliChem Motor Driver Tank Pump PCBA	62.40	74.98
	522474	Upgrade Kit for IntelliChem Tank Pump	CALL	CALL

CALIFORNIA PROPOSITION 65 WARNING
 ⚠️ **WARNING:** Cancer and Reproductive Harm.
 ⚠️ **AVERTISSEMENT:** Peut Causer le Cancer et des Dommages au Système Reproducteur.
 ⚠️ **ADVERTENCIA:** Cáncer y Daño Reproductivo.
www.p65warnings.ca.gov P/N 201714

INTELLIPH® CONTROLLER REPLACEMENT PARTS



Item	Part No.	Description	US List	Can. List
INTELLIPH CONTROLLER REPLACEMENT PARTS				
1	522711	IntellipH Controller Unit	446.56	536.59
2	521513	Faceplate and PCBA	467.98	562.32
3	521516	Door for Controller	50.75	60.98
REPLACEMENT CHEMICAL CONTAINER				
	522712	IntellipH Container	703.58	845.42
CHEMICAL CONTAINER REPLACEMENT PARTS				
	522384	1/4" Black Tubing for Chemical Injection with Labels, 20 Ft.	CALL	CALL
	522446	1/4" Black Tubing for Chemical Injection with Labels, 100 Ft.	CALL	CALL
1	522386	Repair Kit for Tank Mounted Pump	131.13	157.57
2	522480	Pump Tubes for Tank Mounted Pump, 2 Pk.	63.89	76.77

Item	Part No.	Description	US List	Can. List
CHEMICAL CONTAINER REPLACEMENT PARTS CONT'D.				
3	521895	Kit IPH RPLC ACC Bag (Includes ball, spring, saddle clamp parts)	CALL	CALL
4	521511	Saddle Clamp for 1- 1/2" Pipe (Requires Check Valve)	47.14	56.64
5	521512	Saddle clamp for 2" Pipe (Requires Check Valve)	54.38	65.34
6	522513Z	Injection Check Valve	36.95	44.40
7	521505	Lid for Acid Container	76.16	91.51
8	521507	O-Ring for Container Lid, 5-Pk.	90.67	108.95
9	521508	Suction Fitting, Black	36.24	43.55
10	521509	Vent Fitting, Grey	39.87	47.91
	521514	Stenner Pumphead for IntellipH	72.54	87.16
	521515	Upgrade Kit for IntellipH Stenner Pump Head Mtr Assy	286.59	344.37

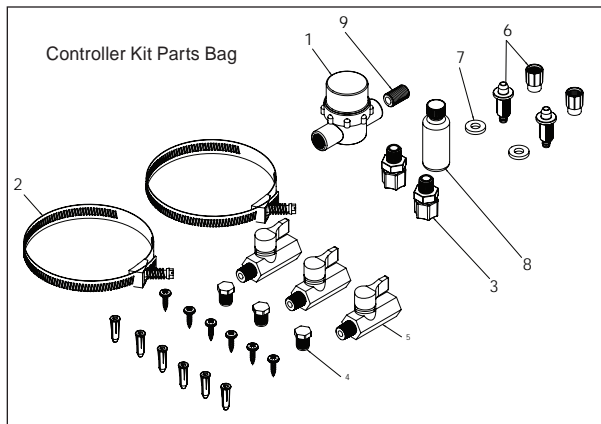
CALIFORNIA PROPOSITION 65 WARNING
 ⚠️ **WARNING:** Cancer and Reproductive Harm.
 ⚠️ **AVERTISSEMENT:** Peut Causer le Cancer et des Dommages au Système Reproducteur.
 ⚠️ **ADVERTENCIA:** Cáncer y Daño Reproductivo.
www.p65warnings.ca.gov PK202114

COMMERCIAL INTELLICHEM® CHEMICAL CONTROLLER REPLACEMENT PARTS

Item	Part No.	Description	US List	Can. List
INTELLICHEM CONTROLLER REPLACEMENT PARTS				
1	523146	Top Half (Lid w/overlay and wiring diagram)	374.81	450.37
2	523004Z	Controller Circuit Board	CALL	CALL
3	8520031Z	Circuit Breaker	51.35	61.70
	523228	Protocol Adapter	CALL	CALL
	523117	Transceiver Case	69.26	83.22
4	521467Z	Enclosure Mounting Brackets	55.10	66.21
5	521468Z	Strain Relief Kit	86.96	104.49
6	521335Z	Transformer with Mounting Plate	253.70	304.85

Item	Part No.	Description	US List	Can. List
INTELLICHEM FLOW CELL REPLACEMENT PARTS				
1	522186	pH Sensor (1-year warranty)	168.25	202.17
2	522187	ORP Sensor (1-year warranty)	236.95	284.72
3	754000310	Flow Cell with Flow Switch	CALL	CALL
4	521342Z	Parts Bag	312.25	375.20
5	754000440	Flow Switch with Magnet	CALL	CALL
	754000410	Magnet for Flow Switch	CALL	CALL
	522623	External Flow Switch Kit, 3ft.	CALL	CALL
	522624	External Flow Switch Kit, 10ft.	CALL	CALL
6	744000290	Cable for pH Sensor, 3 ft.	CALL	CALL
7	744000360	Cable for ORP Sensor 3 ft.	CALL	CALL
8	754000350	O-Ring for Flow Jar	CALL	CALL
9	754000340	Jar for Flow Cell	CALL	CALL

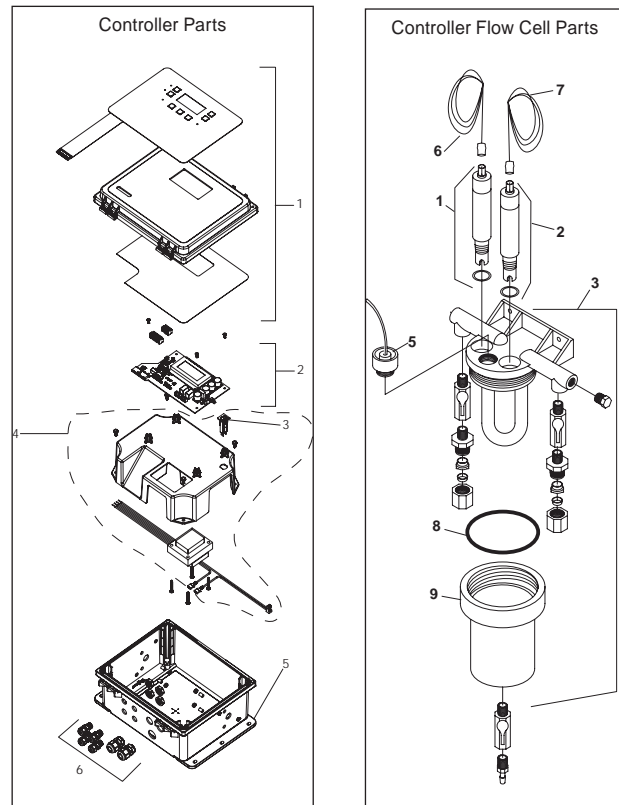
Item	Part No.	Description	US List	Can. List
CONTROLLER KIT PARTS BAG CONTENTS				
1	522010Z	Inline Filter	25.58	30.74
2	522347Z	Bypass Clamp (replaces R172034)	33.59	40.36
3	606000100Z	Fitting 3/8" Tube x 1/4" NPT	5.23	6.28
4	620000040Z	Plug 1/4" NPT	2.27	2.73
5	622000080Z	Ball Valve 1/4" NPT	29.55	35.51
6	R172032Z	Fitting 3/8" Tube to Bypass Clamp	6.64	7.98
7	R172033Z	Rubber Gasket for Bypass Clamp	2.86	3.44
8	R172036Z	O-Ring Lubricant	10.98	13.19
9	620000130Z	Nipple 1/4" NPT	2.27	2.73



Item	Part No.	Description	US List	Can. List
OPTIONAL ACCESSORIES				
	523492Z	Stenner 50 GPD External Pump	CALL	CALL
	523493	Stenner Pump Tube - 2 Pack	62.40	74.98
	523494	Stenner Pump Tube - 5 Pack	137.93	165.74
	522384	20 ft - 1/4 in Black Tubing for Chemical Injection with Labels	CALL	CALL
	522446	100 ft - 1/4 in Black Tubing for Chemical Injection with Labels	CALL	CALL
	714000070	CO2 Kit with Diffuser, Solenoid, Regulator	1225.62	1472.70
	521622	IntelliChem Winterizing Kit	CALL	CALL
	522009	Injection Kit (Injection Check Valve)	CALL	CALL
	521511	Saddle Clamp for 1-1/2-in Pipe (Required Check Valve)	47.14	56.64
	521512	Saddle Clamp for 2-in Pipe (Required Check Valve)	54.38	65.34

Item	Part No.	Description	US List	Can. List
INTELLICHEM TITLE-22 REPLACEMENT PARTS				
	523537Z	Upgrade Kit	CALL	CALL
	523470Z	Daughter Circuit Board	CALL	CALL
	523525Z	Controller Circuit Board	CALL	CALL

*Pentair recommends replacing peristaltic pump tubes every 6 months



CALIFORNIA PROPOSITION 65 WARNING
⚠ WARNING: Cancer and Reproductive Harm.
⚠ AVERTISSEMENT: Peut Causer le Cancer et des Dommages au Système Reproducteur.
⚠ ADVERTENCIA: Cáncer y Daño Reproductivo.
www.p65warnings.ca.gov PN 200714

