

**ENGINEERED
PLASTIC PUMP****INSTALLATION,
OPERATION &
SERVICE
MANUAL****POMPE EN
PLASTIQUE
INDUSTRIEL****MANUEL
D'INSTALLATION,
D'UTILISATION &
D'ENTRETIEN****BOMBA
PLASTICA DE
DISEÑO****MANUAL DE
INSTALACION,
OPERACION Y
SERVICIO**

PUMP IS DESIGNED AND
INTENDED FOR USE TO
CIRCULATE WATER IN
SWIMMING POOLS AND SPA

LA POMPE EST CONCUE ET
PREVUE POUR FAIRE
CIRCULER L'EAU DES
PISCINES ET BAINS
TOURBILLONS

LA BOMBA HA SIDO DISEÑADA
Y TIENE COMO FIN SER USADA
PARA HACER CIRCULAR AGUA
EN PISCINAS Y SPAS

 **WARNING**

THIS MANUAL CONTAINS
IMPORTANT SAFETY INFORMATION
WHICH MUST BE FURNISHED
TO THE END USER. FAILURE TO
READ AND FOLLOW INSTRUCTIONS
COULD RESULT IN SERIOUS
PERSONAL INJURY AND/OR
MAJOR PROPERTY DAMAGE.

 **AVERTISSEMENT**

LE PRESENT MANUEL CONTIENT
DES INFORMATIONS TRES
IMPORTANTES CONCERNANT LA
SECURITE, QUI DOIVENT ETRE
COMMUNIQUEES A L'UTILISATEUR.
LE FAIT DE NE PAS LIRE NI SUIVRE
LES INSTRUCTIONS PEUT AVOIR
POUR RESULTATS DE BLESSURES
GRAVES ET/OU DES DEGATS
MATERIELS TRES IMPORTANTS.

 **ADVERTENCIA**

ESTE MANUAL CONTIENE
INFORMACION DE IMPORTANCIA
CRITICA QUE DEBE SER
ENTREGADA AL USUARIO FINAL.
SI NO SE LEEN NI SE SIGUEN ESTAS
INSTRUCCIONES SE PUEDEN
PRODUCIR LESIONES PERSONALES
GRAVES Y/O DAÑO A LA PROPIEDAD
DE IMPORTANCIA.

MEMBER

NATIONAL
SPA & POOL
INSTITUTESanford, NC (USA)
(919) 566-8000Moorpark, CA (USA)
(805) 553-5000

MEMBRE

NATIONAL
SPA & POOL
INSTITUTESanford, NC (USA)
(919) 566-8000Moorpark, CA (USA)
(805) 553-5000

MIEMBRO

NATIONAL
SPA & POOL
INSTITUTESanford, NC (USA)
(919) 566-8000Moorpark, CA (USA)
(805) 553-5000

IMPORTANT PUMP WARNING AND SAFETY INSTRUCTIONS



IMPORTANT NOTICE

This guide provides installation and operation instructions for this pump. Consult Pentair with any questions regarding this equipment.

Attention Installer: This guide contains important information about the installation, operation and safe use of this product. This information should be given to the owner and/or operator of this equipment after installation or left on or near the pump.

Attention User: This manual contains important information that will help you in operating and maintaining this product. Please retain it for future reference.

READ AND FOLLOW ALL INSTRUCTIONS SAVE THESE INSTRUCTIONS



This is the safety alert symbol. When you see this symbol on your system or in this manual, look for one of the following signal words and be alert to the potential for personal injury.

DANGER

Warns about hazards that can cause death, serious personal injury, or major property damage if ignored.

WARNING

Warns about hazards that may cause death, serious personal injury, or major property damage if ignored.

CAUTION

Warns about hazards that may or can cause minor personal injury or property damage if ignored.

NOTE

Indicates special instructions not related to hazards.

Carefully read and follow all safety instructions in this manual and on equipment. Keep safety labels in good condition; replace if missing or damaged.

When installing and using this electrical equipment, basic safety precautions should always be followed, include the following:

WARNING

Do not permit children to use this product.

WARNING

RISK OF ELECTRICAL SHOCK. Connect only to a branch circuit protected by a ground-fault circuit-interrupter (GFCI). Contact a qualified electrician if you cannot verify that the circuit is protected by a GFCI.

WARNING

This unit must be connected only to a supply circuit that is protected by a ground-fault circuit-interrupter (GFCI). Such a GFCI should be provided by the installer and should be tested on a routine basis. To test the GFCI, push the test button. The GFCI should interrupt power. Push the reset button. Power should be restored. If the GFCI fails to operate in this manner, the GFCI is defective. If the GFCI interrupts power to the pump without the test button being pushed, a ground current is flowing, indicating the possibility of an electric shock. Do not use this pump. Disconnect the pump and have the problem corrected by a qualified service representative before using.

CAUTION

This pump is for use with permanent swimming pools and may also be used with hot tubs and spas if so marked. Do not use with storable pools. A permanently-installed pool is constructed in or on the ground or in a building such that it cannot be readily disassembled for storage. A storable pool is constructed so that it is capable of being readily disassembled for storage and reassembled to its original integrity.

General Warnings

- Never open the inside of the drive motor enclosure. There is a capacitor bank that holds a 230 VAC charge even when there is no power to the unit.
- The pump is not submersible.
- The pump is capable of high flow rates; use caution when installing and programming to limit pumps performance potential with old or questionable equipment.
- Code requirements for electrical connection differ from country to country, state to state, as well as local municipalities. Install equipment in accordance with the National Electrical Code and all applicable local codes and ordinances.
- Before servicing the pump; switch OFF power to the pump by disconnecting the main circuit to the pump.
- This appliance is not intended for use by persons (including children) of reduced physical, sensory or mental capabilities, or lack of experience and knowledge, unless they have been given supervision or instruction concerning the use of the appliance by a person responsible for their safety.

DANGER

FAILURE TO FOLLOW ALL INSTRUCTIONS AND WARNINGS CAN RESULT IN SERIOUS BODILY INJURY OR DEATH. THIS PUMP SHOULD BE INSTALLED AND SERVICED ONLY BY A QUALIFIED POOL SERVICE PROFESSIONAL. INSTALLERS, POOL OPERATORS AND OWNERS MUST READ THESE WARNINGS AND ALL INSTRUCTIONS IN THE OWNER'S MANUAL BEFORE USING THIS PUMP. THESE WARNINGS AND THE OWNER'S MANUAL MUST BE LEFT WITH THE POOL OWNER.

DANGER

SUCTION ENTRAPMENT HAZARD: STAY OFF THE MAIN DRAIN AND AWAY FROM ALL SUCTION OUTLETS!



THIS PUMP PRODUCES HIGH LEVELS OF SUCTION AND CREATES A STRONG VACUUM AT THE MAIN DRAIN AT THE BOTTOM OF THE BODY OF WATER. THIS SUCTION IS SO STRONG THAT IT CAN TRAP ADULTS OR CHILDREN UNDER WATER IF THEY COME IN CLOSE PROXIMITY TO A DRAIN OR A LOOSE OR BROKEN DRAIN COVER OR GRATE.

THE USE OF UNAPPROVED COVERS OR ALLOWING USE OF THE POOL OR SPA WHEN COVERS ARE MISSING, CRACKED OR BROKEN CAN RESULT IN BODY OR LIMB ENTRAPMENT, HAIR ENTANGLEMENT, BODY ENTRAPMENT, EVisCERATION AND/OR DEATH.

The suction at a drain or outlet can cause:

Limb Entrapment: When a limb is sucked or inserted into an opening resulting in a mechanical bind or swelling. This hazard is present when a drain cover is missing, broken, loose, cracked or not properly secured.

Hair Entanglement: When the hair tangles or knots in the drain cover, trapping the swimmer underwater. This hazard is present when the flow rating of the cover is too small for the pump or pumps.

Body Entrapment: When a portion of the body is held against the drain cover trapping the swimmer underwater. This hazard is present when the drain cover is missing, broken or the cover flow rating is not high enough for the pump or pumps.

Evisceration/Disembowelment: When a person sits on an open pool (particularly a child wading pool) or spa outlet and suction is applied directly to the intestines, causing severe intestinal damage. This hazard is present when the drain cover is missing, loose, cracked, or not properly secured.

IMPORTANT PUMP WARNING AND SAFETY INSTRUCTIONS

Mechanical Entrapment: When jewelry, swimsuit, hair decorations, finger, toe or knuckle is caught in an opening of an outlet or drain cover. This hazard is present when the drain cover is missing, broken, loose, cracked, or not properly secured.

NOTE: ALL SUCTION PLUMBING MUST BE INSTALLED IN ACCORDANCE WITH THE LATEST NATIONAL AND LOCAL CODES, STANDARDS AND GUIDELINES.

WARNING TO MINIMIZE THE RISK OF INJURY DUE TO SUCTION ENTRAPMENT HAZARD:

- A properly installed and secured ANSI/ASME A112.19.8 approved anti-entrapment suction cover must be used for each drain.
- Each suction cover must be installed at least three (3') feet apart, as measured from the nearest point to nearest point.
- Regularly inspect all covers for cracks, damage and advanced weathering.
- If a cover becomes loose, cracked, damaged, broken or is missing, replace with an appropriate certified cover.
- Replace drain covers as necessary. Drain covers deteriorate over time due to exposure to sunlight and weather.
- Avoid getting hair, limbs or body in close proximity to any suction cover, pool drain or outlet.
- Disable suction outlets or reconfigure into return inlets.

WARNING A clearly labeled emergency shut-off switch for the pump must be in an easily accessible, obvious place. Make sure users know where it is and how to use it in case of emergency.

The Virginia Graeme Baker (VGB) Pool and Spa Safety Act creates new requirements for owners and operators of commercial swimming pools and spas.

Commercial pools or spas constructed on or after December 19, 2008, shall utilize:

(A) A multiple main drain system without isolation capability with suction outlet covers that meet ASME/ANSI A112.19.8a Suction Fittings for Use in Swimming Pools, Wading Pools, Spas, and Hot Tubs and either:

- (i) A safety vacuum release system (SVRS) meeting ASME/ANSI A112.19.17 Manufactured Safety Vacuum Release systems (SVRS) for Residential and Commercial Swimming Pool, Spa, Hot Tub, and Wading Pool Suction Systems and/or ASTM F2387 Standard Specification for Manufactured Safety Vacuum Release Systems (SVRS) for Swimming pools, Spas and Hot Tubs or
- (ii) A properly designed and tested suction-limiting vent system or
- (iii) An automatic pump shut-off system.

Commercial pools and spas constructed prior to December 19, 2008, with a single submerged suction outlet shall use a suction outlet cover that meets ASME/ANSI A112.19.8a and either:

- (A) A SVRS meeting ASME/ANSI A112.19.17 and/or ASTM F2387, or
- (B) A properly designed and tested suction-limiting vent system, or
- (C) An automatic pump shut-off system, or
- (D) Disabled submerged outlets, or
- (E) Suction outlets shall be reconfigured into return inlets.

For Installation of Electrical Controls at Equipment Pad (ON/OFF Switches, Timers and Automation Load Center)

CAUTION Install all electrical controls at equipment pad, such as on/off switches, timers, and control systems, etc. to allow the operation (startup, shut-down, or servicing) of any pump or filter so the user does not place any portion of his/her body over or near the pump strainer lid, filter lid or valve closures. This installation should allow the user enough space to stand clear of the filter



and pump during system start-up, shut down or servicing of the system filter.

⚠ DANGER



HAZARDOUS PRESSURE: STAND CLEAR OF PUMP AND FILTER DURING START UP

Circulation systems operate under high pressure. When any part of the circulating system (i.e. locking ring, pump, filter, valves, etc.) is serviced, air can enter the system and become pressurized.

Pressurized air can cause the pump housing cover, filter lid, and valves to violently separate which can result in severe personal injury or death. Filter tank lid and strainer cover must be properly secured to prevent violent separation. Stand clear of all circulation system equipment when turning on or starting up pump.

Before servicing equipment, make note of the filter pressure. Be sure that all controls are set to ensure the system cannot inadvertently start during service. Turn off all power to the pump. **IMPORTANT: Place filter manual air relief valve in the open position and wait for all pressure in the system to be relieved.**

Before starting the system, fully open the manual air relief valve and place all system valves in the "open" position to allow water to flow freely from the tank and back to the tank. Stand clear of all equipment and start the pump.

IMPORTANT: Do not close filter manual air relief valve until all pressure has been discharged from the valve and a steady stream of water appears. Observe filter pressure gauge and be sure it is not higher than the pre-service condition.

General Installation Information

- All work must be performed by a qualified service professional, and must conform to all national, state, and local codes.
- Install to provide drainage of compartment for electrical components.
- These instructions contain information for a variety of pump models and therefore some instructions may not apply to a specific model. All models are intended for use in swimming pool applications. The pump will function correctly only if it is properly sized to the specific application and properly installed.

WARNING Pumps improperly sized or installed or used in applications other than for which the pump was intended can result in severe personal injury or death. These risks may include but not be limited to electric shock, fire, flooding, suction entrapment or severe injury or property damage caused by a structural failure of the pump or other system component.

WARNING The pump can produce high levels of suction within the suction side of the plumbing system. These high levels of suction can pose a risk if a person comes within the close proximity of the suction openings. A person can be seriously injured by this high level of vacuum or may become trapped and drown. It is absolutely critical that the suction plumbing be installed in accordance with the latest national and local codes for swimming pools.

Pumps and replacement motors that are single speed and one (1) Total HP or greater cannot be sold, offered for sale, or installed in a residential pool for filtration use in California, Title 20 CCR sections 1601-1609.

Warnings and safety instructions for Pentair Aquatic Systems pumps and other related products are available at:

<http://www.pentairpool.com/pool-owner/safety-warnings/> or call (800) 831-7133 for additional free copies of these instructions. Please refer to <http://www.pentairpool.com/pool-owner/safety-warnings/> for warning and safety instructions related to the this product.

ADVERTENCIAS E INSTRUCCIONES DE SEGURIDAD IMPORTANTES DE LA BOMBA



NOTA IMPORTANTE

Esta guía ofrece las instrucciones de instalación y operación para este producto. Consulte a Pentair por cualquier pregunta relacionada con este equipo.

Atención, instalador: Esta guía contiene información importante sobre la instalación, la operación y el uso seguro de este producto. Se le debe proporcionar esta información al dueño y/u operador del equipo luego de la instalación o se debe dejar esta información encima o cerca de la bomba.

Atención, usuario: Este manual contiene información importante que le ayudará a operar y mantener este producto. Por favor, consérvelo para futura referencia.

LEA Y SIGA TODAS LAS INSTRUCCIONES GUARDE ESTAS INSTRUCCIONES



Este es el símbolo de alerta de seguridad. Cuando vea este símbolo en su sistema o en este manual, busque una de las siguientes palabras de señal y esté alerta a la posibilidad de que alguna persona resulte lesionada.



PELIGRO

Advierte sobre peligros que pueden causar la muerte, serias lesiones personales o daños importantes a la propiedad si se ignoran.



ADVERTENCIA

Advierte sobre peligros que pueden causar la muerte, serias lesiones personales o daños importantes a la propiedad si se ignoran.



PRECAUCIÓN

Advierte sobre peligros que pueden provocar lesiones personales leves o daños a la propiedad si son ignorados.

NOTA indica instrucciones especiales no relacionadas con peligros.

Lea y siga cuidadosamente todas las instrucciones de seguridad en este manual y en relación a los equipos. Conserve las etiquetas de seguridad en buenas condiciones; reemplácelas si faltan o están dañadas.

Cuando instale y use estos equipos eléctricos, siempre se deben seguir las precauciones de seguridad básicas, entre las que se incluye las siguientes:



ADVERTENCIA

No permita que los niños usen este producto.



ADVERTENCIA

RIESGO DE DESCARGA ELÉCTRICA. (Para todas las unidades instaladas de manera permanente, diseñadas para usarse en circuitos derivados monofásicos de 15 o 20 amperes y 125 a 240 voltios). Conecte solamente a un circuito derivado protegido por un interruptor de circuito por falla a tierra (GFCI). Contacte a un electricista cualificado si no puede verificar que el circuito esté protegido por un GFCI. Esta unidad debe conectarse solamente a un circuito de alimentación protegido por un interruptor de circuito por falla a tierra (GFCI). Dicho GFCI debe proporcionarlo el instalador y debe ser sometido a pruebas de rutina. Para probar el GFCI, oprima el botón de prueba. El GFCI debe cortar la energía. Oprima el botón de reanudar. La energía debería restaurarse. Si el interruptor de circuito por falla a tierra (GFCI) no puede funcionar de esta manera, el GFCI es defectuoso. Si el GFCI interrumpe la alimentación a la bomba sin haberse oprimido el botón de prueba, estará fluyendo una corriente a tierra, indicando la posibilidad de un choque eléctrico. No use esta bomba. Desconecte la bomba y pídale a un representante de servicio cualificado que corrija el problema antes de usarla.



PRECAUCIÓN

Esta bomba es para ser utilizada en piscinas permanentes y también puede usarse con jacuzzis y spas, si así se especifica. No la use con piscinas que se deban almacenar. Una piscina instalada permanentemente se construye en el suelo o en un edificio de manera tal que no se pueda desmontar para ser almacenada. Una piscina que se debe almacenar está construida con el fin de poder desmontarla fácilmente para su almacenamiento y montarla nuevamente con posterioridad.

Advertencias generales

- Nunca se debe abrir el interior del recinto del motor del accionador. Hay un bloque de condensadores con una carga de 230 VCA incluso cuando la unidad no está conectada a la fuente de alimentación.
- La bomba no es sumergible.
- La bomba puede alcanzar caudales de salida elevados; tenga cuidado al instalar y programar el límite potencial de rendimiento de las bombas con equipos antiguos o dudosos.
- Los códigos requeridos para la conexión eléctrica varían dependiendo del país, estado o municipalidad local. Instale el equipo de acuerdo al código de electricidad nacional y todos los demás códigos y normas aplicables.
- Antes de efectuar el mantenimiento de la bomba; apague la alimentación de energía eléctrica a la bomba desconectando el circuito principal que va hacia la bomba.
- Este artefacto no debe ser utilizado por personas (incluyendo niños) con capacidades físicas, sensoriales o mentales reducidas, o que no tengan la experiencia y los conocimientos, a menos que hayan sido supervisados o instruidos en el uso del artefacto por una persona responsable por su seguridad.



PELIGRO

EL INCUMPLIMIENTO DE TODAS LAS INSTRUCCIONES Y ADVERTENCIAS PUEDE DAR COMO RESULTADO LESIONES CORPORALES SERIAS O LA MUERTE. ESTA BOMBA DEBE SER INSTALADA Y MANTENIDA ÚNICAMENTE POR UN PROFESIONAL DE MANTENIMIENTO DE PISCINAS CUALIFICADO. LOS INSTALADORES, OPERADORES DE PISCINAS Y DUEÑOS DEBEN LEER ESTAS ADVERTENCIAS Y TODAS LAS INSTRUCCIONES EN EL MANUAL DEL USUARIO ANTES DE USAR ESTA BOMBA. ESTAS ADVERTENCIAS Y EL MANUAL DEL USUARIO DEBEN QUEDARSE CON EL DUEÑO DE LA PISCINA.



PELIGRO

PELIGRO DE ATASCAMIENTO: ¡MANTÉNGASE ALEJADO DEL DRENAJE PRINCIPAL Y DE TODAS LAS SALIDAS DE SUCCIÓN!



ESTA BOMBA PRODUCE ALTOS NIVELES DE SUCCIÓN Y CREA UN FUERTE VACÍO EN EL DRENAJE PRINCIPAL, EN LA PARTE INFERIOR DE LA MASA DE AGUA. LA SUCCIÓN ES TAN FUERTE QUE PUEDE ATRAPAR A ADULTOS O NIÑOS BAJO EL AGUA SI SE ENCUENTRA PRÓXIMOS A UN DRENAJE O A UNA CUBIERTA O REJILLA ROTA O SUELTA DEL DRENAJE.

EL USO DE CUBIERTAS INADECUADAS O PERMITIR EL USO DE LA PISCINA O EL SPA CUANDO HAY CUBIERTAS AUSENTES, FISURADAS O ROTAS PUEDE DAR COMO RESULTADO EL ATASCO DE ALGUNA PARTE DEL CUERPO O ARTICULACIÓN, ENREDO DE CABELLO, ATASCO DEL CUERPO, EVISCERACIÓN Y/O LA MUERTE.

La succión en el drenaje o salida puede causar:

Atascamiento de un miembro: Cuando un miembro del cuerpo es succionado o insertado en una abertura y produce una obstrucción o atrapamiento mecánico. Este peligro se presenta cuando la cubierta de un drenaje falta, está rota, suelta, fisurada o incorrectamente asegurada.

Enredo de cabellos: Cuando el cabello se enreda o anuda en la cubierta del drenaje y atrapa al nadador debajo del agua. Este peligro se presenta cuando la velocidad del flujo de la cubierta es demasiado baja para la(s) bomba(s).

Atascamiento del cuerpo: Cuando una parte del cuerpo queda atrapada contra la cubierta del drenaje manteniendo al nadador debajo del agua. Este peligro se presenta cuando la cubierta del drenaje falta, está rota o cuando la velocidad de flujo de la cubierta no es lo suficientemente alta para la(s) bomba(s).

Evisceración/desentrañamiento: Cuando una persona se sienta en una piscina abierta (particularmente una piscina de chapoteo para niños) o en la salida de un spa y se aplica la succión directamente a los intestinos, causando un daño intestinal severo. Este peligro se presenta cuando la cubierta del drenaje falta, está suelta, fisurada o incorrectamente asegurada.

ADVERTENCIAS E INSTRUCCIONES DE SEGURIDAD IMPORTANTES DE LA BOMBA

Atrapamiento mecánico: Cuando las joyas, el traje de baño, los accesorios para el cabello, los dedos de manos o pies, o un nudillo se atascan en la abertura de una salida o de una cubierta de drenaje. Este peligro se presenta cuando la cubierta del drenaje falta, está suelta, rota, fisurada o incorrectamente asegurada.

NOTA: TODA LA FONTANERÍA DE SUCCIÓN DEBE INSTALARSE EN CONFORMIDAD CON LOS ÚLTIMOS CÓDIGOS, ESTÁNDARES Y GUÍAS NACIONALES Y LOCALES.

ADVERTENCIA PARA MINIMIZAR EL RIESGO DE LESIONES DEBIDO AL PELIGRO DE ATASCO POR SUCCIÓN:

- Para cada drenaje, se debe usar una cubierta de succión anti-atascos apropiadamente instalada y asegurada y aprobada por el ANSI/ASME A112.19.8.
- Cada cubierta de succión debe ser instalada al menos a tres pies (3') de distancia, medidos desde el punto más cercano hasta el punto más cercano.
- Inspeccione todas las cubiertas con regularidad en busca de fisuras, daños e intemperización avanzada.
- Si una cubierta está suelta, fisurada, dañada, rota o ausente, reemplácela con una cubierta certificada apropiada.
- Reemplace la cubierta del drenaje según sea necesario. Las cubiertas del drenaje se deterioran con el tiempo debido a la exposición a la luz solar y el clima.
- Evite que el cabello, los miembros superiores e inferiores o el cuerpo estén en proximidad cercana a las cubiertas de succión, el drenaje o la salida de la piscina.
- Deshabilite las salidas de la succión o vuelva a configurar las entradas de retorno.

La Ley de Seguridad para Piscinas y Spas Virginia Graeme Baker (VGB) crea nuevos requerimientos para los dueños y operadores de piscinas y spas comerciales. Las piscinas o spas comerciales construidos el 19 de diciembre de 2008 o después de esa fecha, deberán utilizar:

(A) Un sistema de drenaje principal sin capacidad de aislamiento con cubiertas de salida de succión que cumplan con el ASME/ANSI A112.19.8a en relación a aditamentos de succión para uso en piscinas, piscinas de chapoteo, spas y jacuzzis, y, ya sea:

- (i) Un sistema de liberación de vacío de seguridad (SVRS) que cumpla con el estándar ASME/ANSI A112.19.17 de sistemas de seguridad de liberación del vacío (SVRS) fabricados para sistemas de piscina, spa, jacuzzi y piscina de niños residenciales y comerciales, y/o la especificación del estándar ASTM F2387 para sistemas de seguridad de liberación del vacío (SVRS) fabricados para piscinas, spas y jacuzzis o
- (ii) Un sistema de ventilación limitado por succión debidamente diseñado y comprobado o

(iii) Un sistema de apagado de bomba automático.

Las piscinas o spas comerciales construidos antes del 19 de diciembre de 2008, con una sola salida de succión sumergida deberán usar una cubierta de la salida de la succión que cumpla con el ASME/ANSI A112.19.8a y, ya sea:

- (A) Un sistema de liberación de vacío de seguridad (SVRS) que cumpla con las normas ASME/ANSI A112.19.17 y/o ASTM F2387, o
- (B) Un sistema de ventilación limitado por succión debidamente diseñado y comprobado, o
- (C) Un sistema de apagado de bomba automático, o
- (D) Bocas sumergidas desactivadas, o
- (E) Las salidas de succión se deben configurar nuevamente como entradas de retorno.

Para la instalación de los controles eléctricos en la plataforma del equipo (interruptores de encendido/apagado, temporizadores y centro de carga automatizada)

PRECAUCIÓN



Instale todos los controles eléctricos en la plataforma del equipo, como los interruptores de encendido/apagado (ON/OFF), los cronómetros y los sistemas de control, etc. para permitir la operación (arranque, cierre o mantenimiento) de cualquier bomba o filtro para que el usuario no coloque ninguna porción de su cuerpo sobre o cerca de la tapa coladora de la bomba, la tapa del filtro o los cierres de la válvula. Esta instalación debe otorgar al usuario suficiente espacio para mantenerse alejado del filtro y la bomba durante el arranque del sistema, el cierre o el mantenimiento del filtro del sistema.

ADVERTENCIA Debe haber un interruptor de cierre de emergencia claramente etiquetado para la bomba en un lugar obvio y de fácil acceso. Asegúrese que los usuarios sepan dónde está y cómo usarlo en caso de emergencia.

PELIGRO



PRESIÓN PELIGROSA: MANTENGA DISTANCIA DE LA BOMBA Y EL FILTRO DURANTE EL ARRANQUE

Los sistemas de circulación funcionan bajo alta presión. Cuando se hace mantenimiento a una parte del sistema de circulación (es decir, el anillo de bloqueo, la bomba, el filtro, las válvulas, etc.), el aire puede ingresar al sistema y presurizarse. El aire presurizado puede hacer

que las válvulas y la tapa del filtro de la cubierta de la carcasa de la bomba se separen violentamente, lo que puede ocasionar lesiones personales severas o la muerte. La tapa del tanque del filtro y la cubierta del colador deben estar correctamente aseguradas para evitar la separación violenta. Manténgase alejado de los equipos del sistema de circulación de aire cuando encienda o haga arrancar la bomba.

Antes de efectuar el mantenimiento a los equipos, tome nota de la presión del filtro. Asegúrese de que todos los controles estén configurados para garantizar que el sistema no arranque inadvertidamente durante el mantenimiento. Apague toda alimentación a la bomba. **IMPORTANTE: Coloque la válvula manual de alivio de aire del filtro en posición abierta y espere que se alivie toda la presión que se encuentra en el sistema.**

Antes de hacer arrancar el sistema, abra completamente la válvula manual de alivio de aire y coloque todas las válvulas del sistema en la posición abierta para permitir que el agua fluya libremente desde el tanque y de regreso a él. Manténgase alejado de todos los equipos y encienda la bomba.

IMPORTANTE: No cierre la válvula manual de alivio de aire del filtro hasta que toda la presión haya sido descargada de la válvula y que aparezca una corriente constante de agua. Observe el medidor de presión del filtro y asegúrese de que no sea más alta que la condición previa al mantenimiento.

Información de instalación general

- Todo el trabajo debe realizarlo un profesional de servicio cualificado, y debe cumplir con todos los códigos nacionales, estatales y locales.
- Instale de manera tal que haya drenaje del compartimiento para los componentes eléctricos.
- Estas instrucciones contienen información para una variedad de modelos de bombas y por tanto algunas instrucciones podrían no aplicarse a un cierto modelo específico. Todos los modelos han de usarse en piscinas. La bomba funcionará correctamente solamente si tiene el tamaño adecuado en relación a la aplicación y si está apropiadamente instalada.

ADVERTENCIA

Las bombas de tamaño incorrecto o mal instaladas o que se usen con aplicaciones diferentes a las que fueron diseñadas para la bomba pueden provocar graves lesiones personales o la muerte. Estos riesgos pueden incluir, entre otros, choques eléctricos, incendios, inundaciones, atascamientos por succión o lesiones graves o daños a la propiedad provocados por una falla estructural de la bomba u otro componente del sistema.

ADVERTENCIA

La bomba puede producir altos niveles de succión del lado de la succión del sistema de conexiones. Estos niveles elevados de succión pueden representar un riesgo si una persona se encuentra muy cerca de las aberturas de succión. La persona puede lesionarse seriamente debido a este alto nivel de vacío, o puede ahogarse. Es absolutamente crítico que las conexiones de succión se instalen de acuerdo con los códigos nacionales y locales para piscinas más recientes.

Las bombas y los motores de repuesto con velocidad única y un (1) HP total o superior no se pueden vender, poner a la venta o instalar en un grupo residencial para su uso en California, Título 20 del CCR, secciones 1601-1609.

Las advertencias y las instrucciones de seguridad para las bombas y otros productos relacionados de Pentair Water Pool and Spa, Inc. se encuentran disponibles en:

<http://www.pentairpool.com/pool-owner/safety-warnings/> o llame al (800) 831-7133 para obtener copias adicionales y gratuitas de las instrucciones. Consulte en <http://www.pentairpool.com/pool-owner/safety-warnings/> para ver las instrucciones de advertencia y seguridad relacionadas con este producto.

AVERTISSEMENT IMPORTANT ET CONSIGNES DE SÉCURITÉ CONCERNANT LA POMPE



REMARQUE IMPORTANTE

Ce guide présente les instructions d'installation et de fonctionnement de la pompe. Consultez Pentair si vous avez des questions concernant ce matériel.

À l'attention de l'installateur : ce guide contient des renseignements importants sur l'installation, le fonctionnement et l'utilisation sécuritaire de ce produit. Cette information doit être remise au propriétaire ou à l'utilisateur de cet équipement après l'installation de la pompe ou être déposée près de la pompe.

À l'attention de l'utilisateur : ce manuel contient des renseignements importants qui vous aideront à utiliser ce produit et à en assurer l'entretien. Veuillez le conserver pour référence ultérieure.

LIRE ET SUIVRE TOUTES LES DIRECTIVES CONSERVER CES DIRECTIVES



Symbole d'avertissement de sécurité. En voyant ce symbole sur le système ou dans ce manuel, recherchez l'un des mots-indicateurs suivants et prenez conscience du potentiel de blessures personnelles.

DANGER

Avertissement sur des dangers qui peuvent causer la mort, des blessures graves ou des dommages matériels conséquents s'ils sont ignorés.

AVERTISSEMENT

Avertissement sur des dangers qui pourraient causer la mort, des blessures graves ou des dommages matériels conséquents s'ils sont ignorés.

ATTENTION

Avertissement sur des dangers qui peuvent causer des petites blessures ou des dommages matériels mineurs s'ils sont ignorés.

REMARQUE

Indique des consignes particulières sans rapport avec les dangers.

Lire attentivement et suivre toutes les consignes de sécurité dans ce manuel et sur les appareils. Maintenir les étiquettes de sécurité en bonne condition; les remplacer si elles sont retirées ou abîmées.

Lors de l'installation et de l'utilisation de ce matériel électrique, des consignes de sécurité de base doivent toujours être suivies, dont les suivantes :

AVERTISSEMENT Ne pas permettre aux enfants d'utiliser ce produit.

AVERTISSEMENT **RISQUE DE DÉCHARGE ÉLECTRIQUE.** Ne brancher qu'à un circuit de dérivation protégé par un disjoncteur de fuite à la terre. Communiquer avec un électricien qualifié si vous n'êtes pas en mesure de vérifier si le circuit est protégé par un disjoncteur de fuite à la terre.

AVERTISSEMENT Cet appareil doit être branché uniquement à un circuit d'alimentation protégé par un disjoncteur de fuite à la terre. Ce disjoncteur de fuite à la terre doit être fourni par l'installateur et doit être inspecté régulièrement. Pour tester le disjoncteur, appuyer sur le bouton TEST. Le disjoncteur devrait couper le courant. Appuyer sur le bouton de réinitialisation. Le courant devrait revenir. Si le disjoncteur ne fonctionne pas ainsi, il est défectueux. Si le disjoncteur coupe le courant de la pompe sans que le bouton TEST ait été appuyé, un courant de terre circule, ce qui indique un risque d'électrocution. Ne pas utiliser cette pompe. Débrancher la pompe et faire corriger le problème par un réparateur qualifié avant de l'utiliser.

ATTENTION Cette pompe est conçue pour une utilisation dans des piscines permanentes et peut également être utilisée dans des bassins chauffés et des spas si elle porte cette indication. Ne pas utiliser dans une piscine démontable. Une piscine permanente est construite dans le sol ou sur le sol, ou dans un bâtiment, et ne peut pas être démontée aux fins d'entreposage. Une piscine démontable est construite de façon à pouvoir être démontée aux fins d'entreposage et remontée pour revenir à son état d'origine.

Avertissements généraux

- Ne jamais ouvrir l'intérieur du boîtier du moteur. Il contient une batterie de condensateurs d'une charge de 230 VCA, même lorsque l'unité n'est pas sous tension.
- La pompe n'est pas submersible.
- La pompe peut fournir de hauts débits d'écoulement; faire preuve de prudence lors de l'installation et de la programmation pour limiter le potentiel de performance de la pompe avec de l'équipement ancien ou peu fiable.

- Les exigences du code électrique peuvent être différentes d'un pays à l'autre, l'Etat, ainsi que les municipalités locales. Installer le matériel conformément au National Electrical Code le plus récent et à tout code ou à toute ordonnance pertinents de votre région.
- Avant d'entretenir la pompe; mettre hors tension la pompe en débranchant le circuit principal sur lequel la pompe est branchée.
- Cet appareil n'est pas conçu pour être utilisé par des personnes (y compris des enfants) dont les facultés physiques, sensorielles ou mentales sont réduites, ou qui n'ont pas l'expérience ou les connaissances nécessaires, sans la surveillance ou les consignes de sécurité d'une personne responsable de leur sécurité.

DANGER LE NON-RESPECT DE CES CONSIGNES ET DE CES AVERTISSEMENTS PEUT ENGENDRER DES BLESSURES GRAVES OU LA MORT. **CETTE POMPE DOIT ÊTRE INSTALLÉE ET ENTRETENUE UNIQUEMENT PAR UN PROFESSIONNEL QUALIFIÉ EN ENTRETIEN DE PISCINES. LES INSTALLATEURS, LES UTILISATEURS ET LES PROPRIÉTAIRES DE LA PISCINE DOIVENT LIRE CES AVERTISSEMENTS ET TOUTES LES INSTRUCTIONS DU MODE D'EMPLOI AVANT D'UTILISER CETTE POMPE. CES AVERTISSEMENTS ET LE MODE D'EMPLOI DOIVENT RESTER DANS LA POSSESSION DU PROPRIÉTAIRE DE LA PISCINE.**

DANGER DANGER D'ENCHEVÊTREMENT PAR ASPIRATION : S'ÉLOIGNER DU CONDUIT DE DRAINAGE PRINCIPAL ET DE TOUTES LES OUVERTURES D'ASPIRATION!



CETTE POMPE A UNE GRANDE FORCE D'ASPIRATION ET CRÉE UN VIDE SOUS PRESSION AU DRAIN PRINCIPAL SITUÉ AU FOND DU BASSIN. CETTE FORCE D'ASPIRATION EST SUFFISANTE POUR RETENIR UN ADULTE OU UN ENFANT SOUS L'EAU S'IL S'APPROCHE D'UN CONDUIT, D'UN COUVERCLE OU D'UNE GRILLE MOBILE OU BRISÉ.

DANGER **RISQUE DE DÉCHARGE ÉLECTRIQUE OU D'ÉLECTROCUTION : LES POMPES FONCTIONNENT SOUS HAUTE TENSION, CE QUI PEUT CAUSER DES DÉCHARGES, DES BRÛLURES OU LA MORT. AVANT DE TRAVAILLER SUR LA POMPE!** Toujours débrancher le courant de la pompe de la piscine au niveau du disjoncteur avant d'effectuer l'entretien de la pompe. Le non-respect

de cette consigne peut engendrer la mort ou des blessures graves au réparateur, aux utilisateurs de la piscine ou à d'autres personnes par décharge électrique.

LE FAIT D'UTILISER UN COUVERCLE NON APPROUVÉ OU D'AUTORISER LA PISCINE OU LE SPA À ÊTRE UTILISÉ ALORS QUE LES COUVERCLES SONT ABSENTS, FÊLÉS OU BRISÉS PEUT ENTRAÎNER DES ACCIDENTS COMME LE CORPS OU DES MEMBRES ENCHEVÊTRÉS, LES CHEVEUX COINCÉS, L'ÉVISCÉRATION OU LA MORT.

L'aspiration d'une sortie ou d'un drain peut causer les problèmes suivants :

Enchevêtrement de membres : Quand un membre est aspiré ou inséré dans une ouverture résultant en une torsion ou un gonflement. Ce danger existe si un couvercle de drainage est absent, brisé, mobile, fêlé ou fixé incorrectement.

Cheveux coincés : Quand les cheveux s'emmêlent ou se nouent au couvercle de drainage, retenant le nageur sous l'eau. Ce danger existe si le débit pour lequel est conçu le couvercle de drainage est insuffisant pour les pompes installées.

Corps enchevêtré : Quand une partie du corps est retenue contre le couvercle de drainage, retenant le nageur sous l'eau. Ce danger existe si le couvercle de drainage est absent ou brisé ou que le débit pour lequel il est conçu est insuffisant pour les pompes installées.

Éviscération/démembrement : Quand une personne s'assoit sur une sortie de conduit ouverte dans une piscine (particulièrement le bassin pour enfants) ou un spa et que les intestins sont aspirés directement, causant des lésions graves aux intestins. Ce danger existe si le couvercle de drainage est absent, mobile, fêlé ou fixé incorrectement.

Enchevêtrement mécanique : Quand un bijou, un maillot de bain, une épingle à cheveux, un doigt, un orteil ou une phalange est coincé dans une ouverture d'une sortie ou d'un couvercle de drainage. Ce danger existe si le couvercle de drainage est absent, brisé, mobile, fêlé ou fixé incorrectement.

AVERTISSEMENT IMPORTANT ET CONSIGNES DE SÉCURITÉ CONCERNANT LA POMPE

REMARQUE : TOUTE LA TUYAUTERIE D'ASPIRATION DOIT ÊTRE INSTALLÉE CONFORMÉMENT AUX CODES, AUX NORMES ET AUX DIRECTIVES NATIONALES ET RÉGIONALES LES PLUS RÉCENTES.

AVERTISSEMENT POUR RÉDUIRE LE RISQUE DE BLESSURE PAR ENCHEVÊTREMENT DÙ À L'ASPIRATION :

- Un couvercle de conduit d'aspiration approuvé ANSI/ASME A112.19.8 doit être installé et fixé correctement sur chaque ouverture de drainage.
- Les couvercles de conduit d'aspiration doivent être installés au moins trois (3) pi (0,9 m) les uns des autres, mesures prises aux points les plus proches.
- Inspecter régulièrement tous les couvercles afin de détecter les marques de dommages et les signes d'usure avancée.
- Si un couvercle devient mobile, fêlé, endommagé, brisé ou est absent, le remplacer par un couvercle de rechange adapté.
- Remplacer les couvercles de drainage au besoin. Les couvercles de drainage se détériorent à long terme en raison de l'exposition au soleil et aux intempéries.
- Éviter d'approcher vos cheveux ou toute partie du corps de tout couvercle de conduit d'aspiration, d'ouverture de drainage ou de sortie.
- Désactiver les ouvertures du conduit d'aspiration ou les reconfigurer en courant de retour.

AVERTISSEMENT Un interrupteur d'arrêt d'urgence pour la pompe identifié clairement doit exister dans un endroit facile d'accès et évident. S'assurer que les utilisateurs savent où il se trouve et comment l'utiliser en cas d'urgence.

La loi Virginia Graeme Baker (VGB) sur les piscines et les spas crée de nouvelles exigences pour les propriétaires et les utilisateurs de piscines commerciales et de spas commerciaux.

Les piscines commerciales et les spas commerciaux construits le 19 décembre 2008 ou plus tard devront employer :

(A) Un système comportant plusieurs conduits de drainage sans capacité d'isolation conforme à la norme ASME/ANSI A112.19.8a « Suction Fittings for Use in Swimming Pools, Wading Pools, Spas, and Hot Tubs » (Raccords d'aspiration pour les piscines, les bassins pour enfants, les spas et les bassins chauffés) et soit :

(i) Un système brise-vide (« safety vacuum release system » SVRS) répondant aux normes ASME/ANSI A112.19.17 « Manufactured Safety Vacuum Release systems (SVRS) for Residential and Commercial Swimming Pool, Spa, Hot Tub, and Wading Pool Suction Systems » (Système brise-vide fabriqué pour les piscines, les spas, les bassins chauffés et les bassins pour enfants de nature résidentielle ou commerciale) et/ou la norme ASTM F2387 « Standard Specification for Manufactured Safety Vacuum Release Systems (SVRS) for Swimming Pools, Spas and Hot Tubs » (Spécifications standardisées pour les systèmes brise-vide fabriqués pour les piscines, les spas et les bassins chauffés); ou

(ii) Un système d'évacuation qui limite la pression d'aspiration, adéquatement conçu et mis à l'essai; ou

(iii) Un dispositif d'arrêt d'urgence automatique de la pompe.

Les piscines et les spas construits avant le 19 décembre 2008 avec une seule bouche d'aspiration submergée conforme à la norme ASME/ANSI A112.19.8a et soit :

(A) Un système brise-vide (« safety vacuum release system » SVRS) conforme à la norme ASME/ANSI A112.19.17 et/ou à la norme ASTM F2387; ou

(B) Un système d'évacuation qui limite la pression d'aspiration, adéquatement conçu et mis à l'essai; ou

(C) Un système d'arrêt d'urgence automatique de la pompe; ou

(D) Des bouches submergées condamnées; ou

(E) Les ouvertures du conduit d'aspiration doivent être reconfigurées en courant de retour.

Installation de commandes électriques sur le panneau de contrôle du matériel (interrupteurs marche/arrêt, minuterie et gestion automatisée de la consommation électrique)

ATTENTION Installer toutes les commandes électriques sur le panneau de contrôle du matériel, comme les interrupteurs marche/arrêt, les minuteries et les systèmes de contrôle, afin de permettre une utilisation de tout filtre ou de toute pompe de façon à ce que l'utilisateur ne place aucune partie de son corps au-dessus ou près du couvercle du filtre de la pompe, du couvercle du filtre ou des soupapes de fermeture. Cette



installation doit laisser à l'utilisateur suffisamment d'espace pour se tenir à l'écart du filtre et de la pompe pendant le démarrage ou l'arrêt du système ou l'entretien de son filtre.

⚠ DANGER



PRESSION DANGEREUSE : RESTER À L'ÉCART DE LA POMPE ET DU FILTRE PENDANT LE DÉMARRAGE

Les systèmes de circulation fonctionnent sous haute pression. Quand toute partie du système de circulation (p. ex., un anneau de serrage, une pompe, un filtre, une soupape, etc.) est entretenue, de l'air peut entrer dans le système et devenir pressurisé. L'air comprimé peut séparer violemment le boîtier de la pompe, le couvercle du filtre et les soupapes, ce qui peut causer des blessures graves ou même la mort. Le couvercle du réservoir du filtre doit être fixé adéquatement afin de prévenir une séparation brusque. S'éloigner de toute partie du matériel du système de circulation lors du démarrage de la pompe ou de sa mise sous tension.

Avant d'entretenir le matériel, noter la pression mesurée du filtre. S'assurer que toutes les commandes sont configurées de manière à ce que le système ne puisse pas démarrer accidentellement pendant l'entretien. Complètement mettre hors tension la pompe. **IMPORTANT : Placer la soupape de décharge pneumatique manuelle en position ouverte et attendre que toute la pression sorte du système.**

Avant de démarrer le système, ouvrir complètement la soupape de décharge pneumatique manuelle et mettre toutes les soupapes en position ouverte afin de permettre à l'eau d'entrer et de sortir librement du réservoir. S'éloigner de tout matériel et démarrer la pompe.

IMPORTANT : Ne pas refermer la soupape de décharge pneumatique manuelle avant que toute la pression soit sortie de la soupape et qu'un filet d'eau continu soit apparu. Vérifier l'indicateur de pression du filtre et s'assurer qu'elle n'est pas plus élevée qu'avant le début de l'entretien.

Informations générales d'installation

- Tous les travaux doivent être effectués par un professionnel qualifié et doivent se conformer à tout code national, provincial ou local.
- L'installation doit comprendre une issue de drainage pour le compartiment des composants électriques.
- Ces instructions contiennent des renseignements portant sur plusieurs modèles de pompe; certaines instructions peuvent ne pas s'appliquer à certains modèles. Tous les modèles sont conçus pour être utilisés dans des piscines. La pompe ne fonctionnera correctement que si la taille choisie est adéquate pour l'utilisation prévue et qu'elle est installée correctement.

AVERTISSEMENT Les pompes de taille inadéquate, incorrectement installées, ou utilisées pour une application différente de celle pour laquelle la pompe a été conçue peut causer des blessures graves ou la mort. Ces risques peuvent comprendre entre autres l'électrocution, un incendie, une inondation, un enchevêtrement par aspiration ou une blessure grave, ou des dommages matériels causés par des dommages structurels à la pompe ou un autre élément du système.

AVERTISSEMENT La pompe peut produire une aspiration très forte au niveau du conduit d'aspiration de la tuyauterie. Cette aspiration puissante peut poser un risque si une personne s'approche de l'ouverture du conduit d'aspiration. Une personne peut se blesser gravement si elle est aspirée ou se retrouver coincée et se noyer. Il est absolument crucial que la tuyauterie reliée au conduit d'aspiration soit installée conformément aux codes nationaux et régionaux relatifs aux piscines les plus récents.

Les pompes et moteurs de remplacement à vitesse unique et un (1) HP total ou supérieur ne peuvent être vendus, mis en vente ou installés dans une piscine résidentielle pour utilisation en filtration en Californie, Titre 20 CCR, sections 1601-1609.

Les avertissements et consignes de sécurité pour les pompes et autres produits connexes de Pentair Aquatic Systems sont disponibles sur : <http://www.pentairpool.com/pool-owner/safety-warnings/> Composez le 1-800 831-7133 pour des exemplaires supplémentaires gratuits de ces instructions.

Veuillez vous référer à <http://www.pentairpool.com/pool-owner/safety-warnings/> pour les avertissements et consignes de sécurité relatives à ce produit.

Customer Service

If you have questions about ordering Pentair Aquatic Systems replacement parts, and pool products, please contact:

Customer Service / Technical Support

(8 A.M. to 5 P.M. — Eastern and Pacific Times)

Phone: (800) 831-7133

Fax: (800) 284-4151

Sanford, North Carolina

(8 A.M. to 5 P.M. — Eastern Time)

Phone: (919) 566-8000

Fax: (919) 566-8920

Moorpark, California

(8 A.M. to 5 P.M. — Pacific Time)

Phone: (805) 553-5000

Fax: (805) 553-5515

Web site

visit www.pentairpool.com or www.sta-ritepool.com to find information about Pentair products

Service Clients

Si vous avez des questions liées aux pièces de rechange, et aux produits de piscine de Pentair Aquatic Systems veuillez utiliser les coordonnées suivantes :

Service Clients / Support Technique

(8h00 à 17h00 heures normale du l'Est et Pacifique)

Téléphone: (800) 831-7133

Télécopie: (800) 284-4151

Sanford, Caroline du Nord

(8h00 à 17h00 heure normale de l'Est)

Téléphone: (919) 566-8000

Télécopie: (919) 566-8920

Moorpark, Californie

(8h00 à 17h00 heure normale du Pacifique)

Téléphone: (805) 553-5000

Télécopie: (805) 553-5515

Site web

visitez www.pentairpool.com ou www.sta-ritepool.com pour trouver des renseignements concernant Pentair produits

Servicio al Cliente

Si tiene preguntas sobre cómo ordenar las refacciones y los productos para piscina Pentair Aquatic Systems, por favor use la siguiente información:

Customer Service / Soporte Técnico

(8 AM a las 5 PM Horario del Este y Pacífico)

Tel: (800) 831-7133

Fax: (800) 284-4151

Sanford, North Carolina

(8 AM a las 5 PM Horario del Este)

Tel: (919) 566-8000

Fax: (919) 566-8920

Moorpark, California

(8 AM a las 5 PM Horario del Pacífico)

Tel: (805) 553-5000

Fax: (805) 553-5515

Sitio web

visite www.pentairpool.com y www.sta-ritepool.com para obtener información sobre Pentair productos

© 2018 Pentair Water Pool and Spa, Inc. All rights reserved.

This document is subject to change without notice.

1620 Hawkins Ave., Sanford, NC 27330
(800) 831-7133 • (919) 566-8000

10951 W. Los Angeles Ave., Moorpark, CA 93021
(800) 831-7133 • (805) 553-5000

Trademarks and Disclaimers:

All Pentair trademarks and logos are owned by Pentair or one of its global affiliates. Pentair Aquatic Systems® and Dynamo® are trademarks and/or registered trademarks of Pentair Water Pool and Spa, Inc. and/or its affiliated companies in the United States and/ or other countries. Unless expressly noted, names and brands of third parties that may be used in this document are not used to indicate an affiliation or endorsement between the owners of these names and brands and Pentair Water Pool and Spa, Inc. Those names and brands may be the trademarks or registered trademarks of those third parties. Because we are continuously improving our products and services, Pentair reserves the right to change specifications without prior notice. Pentair is an equal opportunity employer.

© 2018 Pentair Water Pool and Spa, Inc. Tous droits réservés.

Les renseignements se trouvant dans ce document sont assujettis à des changements sans préavis.

1620 Hawkins Ave., Sanford, NC 27330
(800) 831-7133 • (919) 566-8000

10951 W. Los Angeles Ave., Moorpark, CA 93021
(800) 831-7133 • (805) 553-5000

Marques de commerce et avis de non-responsabilité :

Tous les logos et marques de fabrique Pentair sont la propriété de Pentair, Inc. Pentair Aquatic Systems® et Dynamo® sont des marques de commerce déposées de Pentair Water Pool and Spa, Inc. et/ou de ses entreprises affiliées aux États-Unis et dans les autres pays. Sauf si cela est expressément indiqué, les noms et marques de tiers pouvant être utilisés dans ce document ne sont pas utilisés pour indiquer une affiliation ou un endossement entre les propriétaires de ces noms et des marques et Pentair Water Pool and Spa, Inc. Ces noms et marques peuvent être des marques de fabrique ou des marques de commerce déposées de ces tiers. Comme nous améliorons continuellement nos produits et services, Pentair se réserve le droit de modifier les spécifications sans préavis. Pentair est un employeur souscrivant au principe de l'égalité d'accès à l'emploi.

© 2018 Pentair Water Pool and Spa, Inc. Todos los derechos reservados.

La información que aparece en este documento está sujeta a cambio sin aviso previo.

1620 Hawkins Ave., Sanford, NC 27330
(800) 831-7133 • (919) 566-8000

10951 W. Los Angeles Ave., Moorpark, CA 93021
(800) 831-7133 • (805) 553-5000

Marcas comerciales y descargo de responsabilidad:

Todos los logotipos y las marcas comerciales de Pentair son propiedad de Pentair, Inc. Pentair Aquatic Systems® y Dynamo® son marcas comerciales registradas de Pentair Water Pool and Spa, Inc. y/o de sus compañías afiliadas en los Estados Unidos y/o en otros países. A menos que se indique expresamente, los nombres y las marcas de terceros que se mencionan en este documento no indican afiliación o aval alguno entre los propietarios de estos nombres y marcas y Pentair Water Pool and Spa, Inc. Es posible que estos nombres y marcas sean marcas comerciales o registradas de estos terceros. Debido a que mejoramos continuamente nuestros productos y servicios, Pentair se reserva el derecho a cambiar las especificaciones sin previo aviso. Pentair es una compañía que ofrece igualdad de oportunidad de empleo.

TABLE OF CONTENTS

A. HOW YOUR PUMP WORKS	3, 4
B. INSTALLATION	4-10
C. PUMP OPERATION & MAINTENANCE	10
D. DISASSEMBLY/ASSEMBLY PROCEDURE FOR SEAL REPLACEMENT	10, 11
E. WINTERIZING PROCEDURE	11
F. TROUBLESHOOTING GUIDE .	12, 13
G. REPLACEMENT PARTS	14-16

TABLE DES MATIERES

A. FONCTIONNEMENT DE LA POMPE	3, 4
B. INSTALLATION	4-10
C. UTILISATION & ENTRETIEN DE LA POMPE	10
D. DEMONTAGE/REMONTAGE POUR REMPLACEMENT DE LA GARNITURE D'ETANCHEITE ...	10, 11
E. HIVERNISATION	11
F. GUIDE DE DEPANNAGE	12, 13
G. PIECES DE RECHANGE	14-16

CONTENIDO

A. COMO FUNCIONA LA BOMBA	3, 4
B. INSTALACION	4-10
C. OPERACION Y MANTENIMIENTO DE LA BOMBA	10
D. PROCECIMIENTO DE DESMONTAJE/ MONTAJE PARA CAMBIO DE SELLO	10, 11
E. PROCEDIMINETO DE PREPARACION PARA EL INVIERNO	11
F. GUIA PARA LA IDENTIFICACION DE PROBLEMAS	12, 13
G. PARTES DE REPUESTO	14-16

THIS PUMP OPERATES WITH ELECTRICAL VOLTAGE, AND CAN GENERATE BOTH VACUUM AND PRESSURE IN THE WATER SYSTEM. WHEN PROPERLY WIRED AND PLUMBED, THIS PUMP WILL OPERATE IN A SAFE MANNER.

READ AND FOLLOW ALL SAFETY INSTRUCTIONS

CETTE POMPE FONCTIONNE SOUS TENSION ET PUEUT PRODUIRE AUSSI BIEN UNE DEPRESSION QU'UNE PRESSION DANS LE CIRCUIT D'EAU. LORSQU'ELLE EST CORRECTEMENT CABLEE ET RACCORDEE, CETTE POMPE FONCTIONNE EN TOUTE SECURITE.

LISEZ ET SUIVEZ TOUTES LES INSTRUCTIONS DE SECURITE

ESTA BOMBA OPERA CON VOLTAJE ELECTRICO Y PUEDE GENERAR TANTO VACIO COMO PRESION EN EL SISTEMA DE AGUA. CUANDO EL CABLEADO Y LA PLOMERIA HAN SIDO EFECTUADOS EN FORMA ADECUADA, ESTA BOMBA OPERARA EN FORMA SEGURA.

LEA Y SIGA TODAS LAS INSTRUCCIONES DE SEGURIDAD**A. HOW YOUR PUMP WORKS**

Your centrifugal pump is designed to operate for years with proper maintenance. The pump housing, bracket diffuser, hair and lint pot and impeller are made from high quality thermoplastic materials. These materials have been selected for their corrosion-resistant nature. When installed, operated and maintained in accordance with these instructions, your pump will provide years of service.

A. FONCTIONNEMENT DE LA POMPE

Cette pompe centrifuge est conçue pour fonctionner pendant de nombreuses années si elle est correctement entretenue. Le carter de la pompe, le diffuseur à bride, le filtre à cheveux et peluches et le rotor sont fabriqués en matériaux thermoplastiques de haute qualité. Ces matériaux ont été choisis pour leur résistance à la corrosion. Lorsqu'elle est installée, utilisée et entretenue conformément aux présentes instructions, cette pompe vous offrira de nombreuses années de service.

A. COMO FUNCIONA LA BOMBA

Su bomba centrifuga ha sido diseñada para que funcione por años con el mantenimiento adecuado. La caja de la bomba, el difusor del puntal, el depósito de pelusas y cabello y el impulsor están hechos de materiales termoplásticos de alta calidad. Estos materiales han sido seleccionados debido a su resistencia a la corrosión. Si la bomba se instala, opera y mantiene según estas instrucciones, le entregará muchos años de servicio.

**READ AND FOLLOW ALL SAFETY INSTRUCTIONS
LISEZ ET RESPECTEZ TOUTES LES INSTRUCTIONS DE SECURITE
LEA Y SIGA TODAS LAS INSTRUCCIONES DE SEGURIDAD**

Your centrifugal pump is driven by an electric motor. The motor is directly attached to the pump impeller. As the electric motor turns, it causes the impeller to turn and this causes the water to flow. The water flows into the hair and lint pot inlet and through the basket assembly to prestrain large particles. The flow then enters the center of the pump housing. If the pump does not contain the hair and lint pot assembly, the flow simply enters the center of the pump housing. The flow goes through the impeller and out the pump discharge port.

2 SPEED PUMP MODELS:

The performance of this pump will be the same at high speed as the same model single speed pump, both hydraulically and prime wise. At low speed, the pump will produce one half the flow and 1/4 the pressure of high speed. However, the pressure required by the filter and pool plumbing at half flow will also be greatly reduced due to much lower system friction. These lower friction losses result in energy savings.

Turn motor to low speed for quiet operation and electrical cost savings. Since the pump should be operated mostly at low speed for cost saving, minor adjustments may be required in the automatic chlorine dispenser, the skimmers and the heater due to the lower flow. (See the equipment manufacturer's operation manuals.)

Pool owners should use high speed for vacuuming the pool, quick filtering action, priming the system, and to keep up with heavy bathing loads.

SPA and Tub owners will want to use high speed for good jet action.

B. INSTALLATION

1. Check carton for any evidence of damage due to rough handling in shipment. If carton or any pump components are damaged, notify Freight carrier immediately.
2. After inspection, carefully remove pump from carton.
3. The pump should be secured to a flat solid foundation, high enough to prevent flooding of the motor. A sheltered location is best, being sure to allow for adequate ventilation.

Votre pompe centrifuge est commandée par un moteur électrique. Celui-ci est accouplé directement au rotor de la pompe. La rotation du moteur provoque celle du rotor, ce qui fait circuler l'eau. Celle-ci coule dans le filtre à cheveux et peluches, puis traverse la crépine où sont retenues les plus grosses particules. L'eau pénètre ensuite dans la partie centrale du carter de la pompe. Si celle-ci n'est pas équipée d'un filtre à cheveux et peluches, l'eau pénètre directement dans la partie centrale du carter de la pompe. Elle traverse alors le rotor jusque dans le diffuseur fixe et sort par l'orifice de sortie de la pompe.

MODELES DE POMPES A 2 VITESSES :

Les performances de cette pompe seront les mêmes à grande vitesse que celles d'une pompe monovitesse, sur le plan hydraulique et en matière d'amorçage. A basse vitesse, la pompe produira la moitié du débit et le quart de la pression obtenus à grande vitesse. Cependant, la pression exigée par la tuyauterie du filtre et de la piscine à la moitié du débit sera également considérablement réduite grâce à une friction très inférieure dans le système. Ces pertes inférieures par friction résultent en économies d'énergie.

Faites tourner le moteur à basse vitesse pour obtenir un fonctionnement silencieux et économiser du courant. Si la pompe doit surtout fonctionner à basse vitesse pour réduire les frais, il peut s'avérer nécessaire d'effectuer des réglages mineurs du distributeur automatique de chlore, des collecteurs et de l'élément chauffant à cause du débit inférieur. (Voir les manuels d'utilisation du fabricant du matériel.)

Les propriétaires de piscines doivent faire fonctionner leur pompe à grande vitesse pour aspirer l'eau de la piscine, effectuer un filtrage rapide, amorcer le système et s'accommoder d'une utilisation intensive de la piscine.

Les propriétaires de bains tourbillons préféreront utiliser la grande vitesse pour obtenir des jets puissants.

B. INSTALLATION

1. Vérifiez le carton pour rechercher toute trace de dégâts dus à une manutention brutale en cours de transport. Si le carton ou tout élément de la pompe est endommagé, avisez-en le transporteur immédiatement.
2. Une fois le carton examiné, retirez la pompe de celui-ci avec précaution.
3. La pompe doit être fixée sur une solide base plate, suffisamment élevée pour empêcher que le moteur ne soit noyé. Un endroit abrité est préférable. Assurez-vous que celui-ci est suffisamment aéré.

Su bomba centrífuga es impulsada por medio de un motor eléctrico. El motor está adjunto directamente al impulsor de la bomba. A medida que el motor eléctrico gira hace que el impulsor gire, lo que hace que fluya el agua. El agua fluye en la entrada del depósito de pelusa y cabello y a través del conjunto del canasto para precolar las partículas grandes. El flujo luego entra al centro de la caja de la bomba. Si la bomba no tiene el conjunto del depósito de pelusas y cabello, el flujo simplemente entra al centro de la caja de la bomba. El flujo pasa a través del impulsor y sale por el agujero de descarga de la bomba.

MODELOS DE BOMBA DE 2 VELOCIDADES:

A alta velocidad, el rendimiento de esta bomba será el mismo que el del mismo modelo de bomba de una sola velocidad, tanto desde el punto de vista hidráulico como del cebado. A velocidad baja, la bomba producirá la mitad del flujo y 1/4 de la presión de la velocidad alta. Sin embargo, la presión que necesitan el filtro y la plomería de la piscina a medio flujo también disminuirá mucho debido a un sistema de fricción mucho más bajo. Estas pérdidas de fricción más bajas producen ahorros de energía.

Ponga el motor a baja velocidad para obtener una operación silenciosa y ahorros en el costo de electricidad. Como la bomba se debe operar principalmente a baja velocidad para obtener ahorros de costo, se pueden necesitar ajustes de menor importancia en el surtidor de cloro automático, los despumadores y el calentador debido al flujo más bajo. (Vea los manuales de operación del fabricante.)

Los dueños de piscinas tienen que usar la velocidad alta para aspirar la piscina, para obtener una acción de filtración rápida, para cebar el sistema y para poder mantenerse al día cuando hay muchos bañistas.

Los dueños de SPA y de piletas calientes pueden querer usar la velocidad alta para obtener una buena acción en los chorros.

B. INSTALACIÓN

1. Revise la caja de cartón para verificar si hay evidencia de daño debido al manejo abrupto durante el envío. Si la caja de cartón o cualquier componente de la bomba están dañados, avise a la compañía de transporte inmediatamente.
2. Después de la inspección, remueva cuidadosamente la bomba de la caja de cartón.
3. La bomba tiene que estar asegurada en una fundación sólida plana, lo suficientemente alta para evitar inundar el motor. Lo mejor es un lugar protegido, asegurándose de que haya una ventilación adecuada.

**READ AND FOLLOW ALL SAFETY INSTRUCTIONS
LISEZ ET RESPECTEZ TOUTES LES INSTRUCTIONS DE SECURITE
LEA Y SIGA TODAS LAS INSTRUCCIONES DE SEGURIDAD**

4. Provide space and lighting for routine maintenance access. Do not mount electrical controls directly over pump.
 5. The pump should be installed as near to the pool or spa as practical. Avoid installing the pump more than a few feet above the water level. Suction lifts of more than five feet will cause very long priming times. Pump will not lift more than 8 feet.
 6. The location should provide for adequate floor drainage to prevent flooding.
 7. Provide for the need to remove the pump for potential service by providing valves or other means to disconnect the pump suction and discharge.
 8. Never store pool chemicals within 10 ft. of your pool filter and pump. Pool chemicals are corrosive and should always be stored in a cool, dry, well ventilated area.
4. Prévoyez un accès suffisamment spacieux et bien éclairé pour l'entretien. Ne montez pas de commandes électriques juste au-dessus de la pompe.
 5. La pompe doit être installée aussi près que possible de la piscine ou du bain tourbillons. Evitez de l'installer trop haut au-dessus du niveau de l'eau. Des hauteurs d'aspiration supérieures à 1,50 mètre (cinq pieds) conduiront à des temps d'amorçage très longs. La pompe n'aspirera pas à une hauteur supérieure à 2,40 mètres (8 pieds).
 6. L'emplacement choisi doit permettre un drainage du sol suffisant pour empêcher une inondation.
 7. Prévoyez les moyens nécessaires à la dépose de la pompe pour de possibles réparations en posant des vannes ou d'autres dispositifs de débranchement de l'entrée et de la sortie de la pompe.
 8. N'entreposez jamais les produits chimiques destinés à la piscine à moins de 3 mètres (10 pieds) du filtre et de la pompe de celle-ci. Ces produits doivent toujours être entreposés dans un endroit frais, sec et bien aéré.
4. Es necesario contar con espacio e iluminación para el acceso del mantenimiento de rutina. No monte los controles eléctricos directamente sobre la bomba.
 5. La bomba tiene que instalarse tan cerca de la piscina o del spa como sea práctico. Evite instalar la bomba a más de unos cuantos pies sobre el nivel del agua. Los bombeos de succión de más de cinco pies exigirán tiempos de cebado muy largos. La bomba no va a bombear más de 8 pies.
 6. El lugar tiene que contar con un drenaje en el piso adecuado para evitar la inundación.
 7. Es necesario contar con el lugar para remover la bomba en el caso de que se necesite hacer el servicio, proporcionando válvulas u otros medios de desconectar la succión de la bomba y la descarga.
 8. Nunca guarde los productos químicos de la piscina dentro de 10 pies de su filtro y bomba. Los productos químicos de la piscina son corrosivos y siempre deben guardarse en un lugar fresco, seco y bien ventilado.

WARNING

Chemical fumes and/or spills can cause severe corrosive attack to the filter and pump structural components. Structurally weakened filter or pump components can cause filter, pump or valve attachments to separate and could cause severe bodily injury or property damage.

9. Assemble piping and pipe fittings to pump and valve. All piping must conform to local and state plumbing and sanitary codes.
10. Use thread seal tape or pipe sealants on all male connections of pipe and fittings. Use only pipe sealant compounds suited for plastic pipe. Support pipe to prevent strains on filter, pump or valve. **DO NOT USE PETROLEUM BASED PRODUCTS.**
11. Avoid over tightening the pipe threads when connecting fittings to the pump. Proper procedure is to apply a pipe sealant to the thread and then install hand tight plus 1-1/2 turns. **DO NOT OVER TIGHTEN.**
12. Long piping runs and elbows restrict flow. For best efficiency, use the fewest possible fittings, large diameter pipe (at least 1-1/2") and locate equipment as close to the pool as possible. The pump suction line should not be smaller than the pipe size on the inlet of the pump.

ADVERTISSEMENT

Les vapeurs de produits chimiques et/ou renversements de ceux-ci peuvent corroder gravement les éléments essentiels du filtre et de la pompe. L'affaiblissement structurel de ces éléments peut provoquer un éclatement du filtre, de la pompe ou des accessoires de la vanne et occasionner des blessures graves ou dégâts matériels importants.

9. Branchez la tuyauterie et ses raccords à la pompe et à la vanne. L'ensemble de la tuyauterie doit être conforme à la réglementation locale et nationale en matière de plomberie et d'hygiène.
10. Utilisez du bande d'étanchéité fileté sur tous les accouplements coniques mâles de la tuyauterie et des raccords. N'utilisez que des mastics d'étanchéité adaptés à la tuyauterie en plastique. Soutenez la tuyauterie pour éviter toute contrainte exercée sur le filtre, la pompe ou la vanne. **NE VOUS SERVEZ PAS DE PRODUITS A BASE DE PETROLE.**
11. Evitez de trop serrer les extrémités filetées de la tuyauterie lorsque vous branchez des raccords à la pompe. La façon correcte de procéder consiste à appliquer un mastic d'étanchéité pour tuyau au filetage et de serrer à la main, plus 1-1/2 tour. **NE SERREZ PAS TROP.**
12. Les sections de tuyauterie de grande longueur et les coudes réduisent le débit. Pour obtenir le meilleur rendement, utilisez le moins possible de raccords, une tuyauterie de grand diamètre (38,1 mm [1-1/2 po.] au moins) et implantez l'équipement aussi près que possible de la piscine. Le tuyau d'aspiration de la pompe ne doit pas être d'un diamètre inférieur à celui du tuyau qui se trouve côté orifice d'entrée de la pompe.

ADVERTENCIA

Los vapores químicos y/o derrames pueden producir ataques corrosivos graves en el filtro y en los componentes estructurales de la bomba. Los componentes de la bomba o del filtro que se han debilitado estructuralmente pueden producir fugas en el filtro, la bomba y los accesorios de la válvula y pueden producir lesiones corporales graves o daño a la propiedad.

9. Monte la tubería y sus accesorios en la bomba y la válvula. Todas las tuberías tienen que cumplir con los códigos sanitarios y de plomería estatales y locales.
10. Use cinta de plomero o sellador de tubería en todas las conexiones machos de las tuberías y los accesorios. Use solamente compuestos de sellado de tubería apropiados para tubería de plástico. Apoye la tubería para evitar esfuerzos en el filtro, la bomba o la válvula. **NO USE PRODUCTOS BASADOS EN EL PETROLEO.**
11. Evite apretar demasiado las roscas de la tuberías cuando conecte los accesorios a la bomba. El procedimiento adecuado es aplicar un sellador de tuberías en la rosca y luego instalarlos apretando los manualmente mas 1-1/2 vueltas. **NO LOS APRIETE DEMASIADO.**
12. Las extensiones de tuberías largas y los codos restringen el flujo. Para mayor eficiencia use los menos accesorios posibles, tubería de diámetro grande (por lo menos 1-1/2 pies) y ubique el equipo lo más cerca de la piscina posible. La tubería de succión de la bomba no debe ser más pequeña que el tamaño de la tubería en la entrada de la bomba.

**READ AND FOLLOW ALL SAFETY INSTRUCTIONS
LISEZ ET RESPECTEZ TOUTES LES INSTRUCTIONS DE SECURITE
LEA Y SIGA TODAS LAS INSTRUCCIONES DE SEGURIDAD**

13. It is essential that the suction line be free of air leaks and air traps.

⚠ WARNING

Blockage of suction fittings can cause severe or fatal injury due to drowning. Small children using pool/spa equipment must always have close adult supervision.

14. Suction fittings must conform to ASME/ANSI A 112.19.8 M Standards. Use double suction fittings.

15. The maximum operating pressure of this unit is 25 pounds per square inch. Never operate this pump above this pressure.

This pump is not intended to be operated in series with other pumps.

⚠ WARNING

To reduce the risk of injury, do not permit children to use this product unless they are closely supervised at all times.

16. Wiring of this pump should be preformed by a licensed electrician in accordance with the National Electrical Code or your local electrical code.

⚠ WARNING

Never work on pump while it is running or power is still connected; hazardous voltage can cause severe or fatal injury. A suitable ground fault interrupter should always be installed at the power supply source of the unit.

⚠ WARNING

Ground motor before connecting to electrical power supply. Failure to ground motor can cause severe or fatal electrical shock hazard. Do not ground to a gas supply line.

17. The pump motor must be wired for the proper voltage in accordance with the wiring diagram supplied with the motor.

Wiring the motor with the incorrect supply voltage will cause damage to the motor and void the warranty.

18. The wiring to the motor should be kept as short as possible and large enough NOT to cause an excessive voltage drop. Use the wire size table as a guide in selecting minimum conductor size.

19. Install, ground and bond wire according to local or National Electrical Code requirements.

13. Il est essentiel que le tuyau d'aspiration soit libre de fuites d'air et d'air prisonnier.

⚠ AVERTISSEMENT

L'obstruction des raccords d'aspiration peut provoquer des blessures graves, voire mortelles par noyade. Les jeunes enfants utilisant l'équipement d'une piscine ou d'un bain tourbillons doivent toujours être surveillés de près par un adulte.

14. Les raccords d'aspiration doivent être conformes aux normes ASME/ANSIA 112.19.8 M. Utilisez des raccords doubles d'aspiration.

15. La pression maximum de service de cet appareil est 172 kPa (25 psi). Ne faites jamais fonctionner cette pompe à une pression supérieure.

Cette pompe n'est pas prévue pour être utilisée en série avec d'autres pompes.

⚠ AVERTISSEMENT

Pour réduire les risques de blessures, ne laissez pas les enfants se servir de ce produit s'ils ne sont pas surveillés de près en permanence.

16. Le câblage de la pompe doit être effectué par un électricien professionnel conformément à la réglementation nationale ou locale applicable.

⚠ AVERTISSEMENT

Ne travaillez jamais sur la pompe lorsqu'elle est en marche ou qu'elle est encore sous tension ; une tension dangereuse peut être à l'origine de blessures graves, voire mortelles. Il convient de toujours poser un disjoncteur de fuite à la terre au point de raccordement de cet appareil au secteur.

⚠ AVERTISSEMENT

Mettez le moteur à la terre avant de le raccorder au secteur. Sinon, il y a risque d'électrocution grave, voire mortelle. Ne vous servez pas d'une canalisation d'alimentation en gaz pour la mettre à la terre.

17. Le moteur de la pompe doit être alimenté à la tension correcte conformément au schéma de câblage qui accompagne le moteur.

L'alimentation du moteur à une tension incorrecte endommagera celui-ci et annulera la garantie.

18. Le cordon d'alimentation du moteur doit rester aussi court que possible et être d'un calibre suffisant pour NE PAS provoquer une chute de tension excessive. Servez-vous du tableau des calibres de fils pour sélectionner un calibre minimum de fil.

19. Installez, mettez à la terre et à la masse le fil conformément aux spécifications de la réglementation locale ou nationale applicable.

13. Es esencial que la tubería de succión no tenga fugas de aire ni aire atrapado.

⚠ ADVERTENCIA

Si se bloquean los accesorios de succión se pueden producir lesiones graves o fatales debido a que las personas se pueden ahogar. Los niños pequeños que usen el equipo de la piscina/spa siempre deben estar bien supervisados por un adulto.

14. Los accesorios de succión tienen que cumplir con los estándares ASME/ANSIA 112.19.8 M. Use accesorios de succión dobles.

15. La presión de operación máxima de esta unidad es de 25 libras por pulgada cuadrada. Nunca opere esta bomba sobre esta presión.

Esta bomba no es para ser operada en serie con otras bombas.

⚠ ADVERTENCIA

Para reducir el riesgo de lesiones, no permita que los niños usen este producto a menos que estén bien supervisados en todo momento.

16. El cableado de esta bomba tiene que ser hecho por un electricista con licencia según el Código Eléctrico Nacional o su código eléctrico local.

⚠ ADVERTENCIA

Nunca trabaje en la bomba cuando está funcionando o cuando la corriente está aun conectada; el voltaje peligroso puede producir lesiones graves o fatales. Siempre se tiene que instalar un interruptor de falla a tierra apropiado en la fuente de electricidad de esta unidad.

⚠ ADVERTENCIA

Conecte el motor a tierra antes de conectarlo a la corriente eléctrica. Si no se conecta el motor a tierra se pueden producir peligros de choque eléctrico graves o fatales. No la conecte a tierra a una tubería de suministro de gas.

17. El motor de la bomba tiene que estar cableado para el voltaje adecuado, de acuerdo con el diagrama de cableado que viene con el motor.

Si se cablea el motor con el voltaje incorrecto se dañará el motor y se anulará la garantía.

18. El cableado al motor se tiene que mantener tan corto como sea posible y lo suficientemente largo como para NO causar una caída de voltaje excesiva. Use la tabla de tamaño de cables como guía al seleccionar un tamaño de conductor mínimo.

19. Instale, conecte a tierra y una sin resistencia los cables según el Código Eléctrico Nacional o local.

**READ AND FOLLOW ALL SAFETY INSTRUCTIONS
LISEZ ET RESPECTEZ TOUTES LES INSTRUCTIONS DE SECURITE
LEA Y SIGA TODAS LAS INSTRUCCIONES DE SEGURIDAD**

Table 1. – RECOMMENDED FUSING AND WIRING DATA						
Motor Nameplate Full Load Amps*	Branch Circuit	Volts/Hz/ Phase	Dist. in Ft. (m) (Service to Motor)			Temp Rating C°
			0-100'	101-200'	201-300'	
			(0-30)	(31-60)	(61-90)	
12.0 or Less	15A	115/60/1	14 (2)	12 (3)	10 (5.5)	75
12.1 - 16.0	20A	115/60/1	10 (5.5)	8 (8.4)	6 (14)	75
16.1 - 20.0	25A	115/60/1	10 (5.5)	8 (8.4)	6 (14)	75
12.0 or Less	15A	230/60/1	14 (2)	12 (3)	10 (5.5)	75
*Amps ratings are found on the motor nameplate.						
Notice: Values given are for Pump motor only. Do not put any other accessories on this circuit.						

Tableau 1. – DONNÉES RECOMMANDÉES POUR LES FUSIBLES ET LE CÂBLAGE						
Plaque Signalétique du Moteur Ampères à Pleine Charge*	Circuit Terminal	Volts/Hz/ Phase	Dist. en Ft. (m) (Service du Moteur)			Caractéristiques Thermiques C°
			0-100'	101-200'	201-300'	
			(0-30)	(31-60)	(61-90)	
12.0 ou Moins	15A	115/60/1	14 (2)	12 (3)	10 (5.5)	75
12.1 - 16.0	20A	115/60/1	10 (5.5)	8 (8.4)	6 (14)	75
16.1 - 20.0	25A	115/60/1	10 (5.5)	8 (8.4)	6 (14)	75
12.0 ou Moins	15A	230/60/1	14 (2)	12 (3)	10 (5.5)	75
*Les intensités nominales sont affichées sur la plaque signalétique du moteur.						
Avertissement : Les valeurs données concernent uniquement le moteur de la pompe. Ne placez aucun autre accessoire dans ce circuit.						

Tabla 1. – FUSIBLES E INSTALACIÓN ELÉCTRICA RECOMENDADA						
Placa de Identificación del Motor Carga Completa de Amperios*	Circuito Secundario	Voltios/Hz/ Fase	Dist. en Pies. (m) (Servicio a brindar al motor)			Clasificación de Temperatura C°
			0-100'	101-200'	201-300'	
			(0-30)	(31-60)	(61-90)	
12.0 ou Moins	15A	115/60/1	14 (2)	12 (3)	10 (5.5)	75
12.1 - 16.0	20A	115/60/1	10 (5.5)	8 (8.4)	6 (14)	75
16.1 - 20.0	25A	115/60/1	10 (5.5)	8 (8.4)	6 (14)	75
12.0 ou Moins	15A	230/60/1	14 (2)	12 (3)	10 (5.5)	75
*La clasificación de amperios está ubicada en la placa de identificación del motor.						
Aviso: Los valores brindados son para el motor de la bomba solamente. No instale otros accesorios en este circuito.						

**READ AND FOLLOW ALL SAFETY INSTRUCTIONS
LISEZ ET RESPECTEZ TOUTES LES INSTRUCTIONS DE SECURITE
LEA Y SIGA TODAS LAS INSTRUCCIONES DE SEGURIDAD**

GROUNDING:

20. Permanently ground motor. Use green terminal provided under motor canopy or access plate; use size and type wire required by code. Connect motor ground terminal to electrical service ground. On cord connected circuits, check for proper grounding.

BONDING:

21. The current National Electrical Code requires that the motor be electrically bonded to appropriate permanently installed pool or spa/hot tub structure by a solid copper conductor no smaller than No. 8 AWG. Bonding wire should be connected from the accessible wire connector on the motor shell to all metal parts of the swimming pool spa or hot tub structure and to all electrical equipment, metal conduit and metal piping within 5 feet of the inside walls of a swimming pool spa or hot tub. A grounding lug is provided on the exterior of the motor shell for this purpose.

⚠ WARNING

RISK OF ELECTRIC SHOCK - Connect only to a grounding type receptacle protected by a ground-fault circuit-interruptor (GFCI). Contact a qualified electrician if you cannot verify that the receptacle is protected by a GFCI.

The unit must be connected only to a supply circuit that is protected by a ground-fault circuit-interruptor (GFCI). Such a GFCI should be provided by the installer and should be tested on a routine basis. To test the GFCI, push the test button. The GFCI should interrupt. Push the reset button. Power should be restored. If the GFCI fails to operate in this manner, the GFCI is defective. If the GFCI interrupts power to the pump with out the test button being pushed, a ground current is flowing, indicating the possibility of an electric shock. Do not use this pump. Disconnect the power and have the problem corrected by a qualified service representative before using.

For cord and plug-connected units – Do not bury cord. Locate cord to minimize a abuse from lawn mowers, hedge trimmers, and other equipment.

⚠ WARNING

For cord and plug-connected units – To reduce the risk of electric shock, replace damaged cord immediately.

⚠ WARNING

For cord and plug-connected units –To reduce the risk of electric shock, do not use extension cord to connect unit to electric supply; provide a properly located outlet.

⚠ CAUTION

For continued protection against possible electric shock, this unit is to be mounted to the base in accordance with the installation procedures.

MISE A LA TERRE :

20. Mettez le moteur à la terre d'une façon permanente. Servez-vous de la borne verte prévue à cet effet sous le capot ou la plaque d'accès du moteur ; utilisez le calibre et le type de fil exigés par la réglementation. Connectez la borne de mise à la terre du moteur à la prise de terre de l'alimentation électrique. Vérifiez la mise à la terre correcte des circuits raccordés par cordon.

MISE A LA MASSE :

21. Le courant Code Electrique National exige que le moteur soit correctement mis à la masse en étant relié de façon permanente à la structure de la piscine ou du bain tourbillons au moyen d'un fil de cuivre plein de calibre AWG 8 au minimum. Le fil de mise à la masse doit relier le connecteur de fil accessible du carter du moteur à toutes les parties métalliques de la structure de la piscine ou du bain tourbillons, ainsi qu'à l'ensemble de l'équipement électrique, des tubes isolants métalliques et des tuyaux métalliques qui se trouvent à moins de 1,50 mètre (5 pieds) des parois intérieures d'une piscine ou d'un bain tourbillon. Un oeillet de mise à la terre est prévu à cet effet à l'extérieur du carter du moteur.

⚠ AVERTISSEMENT

Le risque de décharge électrique - munique seulement à un réceptacle de type de bases protégé par un interrupteur de circuit de faute de terre (GFCI). Contactez un électricien qualifié si vous ne pouvez pas vérifier que le réceptacle est protégé par un GFCI. Cet appareil doit être branché uniquement à un circuit d'alimentation protégé par un disjoncteur de fuite à la terre (GFCI). Ce disjoncteur doit être fourni par l'installateur et doit être inspecté régulièrement. Pour tester le disjoncteur, appuyer sur le bouton TEST. Le disjoncteur devrait couper le courant. Appuyer sur le bouton de réinitialisation. Le courant devrait revenir. Si le disjoncteur ne fonctionne pas ainsi, il est défectueux. Si le disjoncteur coupe le courant de la pompe sans que le bouton TEST ait été appuyé, un courant de terre circule, ce qui indique un risque d'électrocution. Ne pas utiliser cette pompe. Débrancher la pompe et faire corriger le problème par un réparateur qualifié avant de l'utiliser.

Appareils raccordés par cordon et fiche– N'entrez pas le cordon. Positionnez-le de façon à minimiser le risque qu'il soit endommagé par une tondeuse, un taille-hale et autre matériel similaire.

⚠ AVERTISSEMENT

Appareils raccordés par cordon et fiche–Pour réduire le risque d'électrocution, remplacez immédiatement un cordon endommagé.

⚠ AVERTISSEMENT

Appareils raccordés par cordon et fiche– Pour réduire le risque d'électrocution, ne vous servez pas d'une rallonge pour Raccorder l'appareil au secteur ; prévoyez une prise de courant à un endroit convenable.

CONEXION A TIERRA:

20. Conecte a tierra el motor permanentemente. Use el terminal verde que viene debajo del escudete del motor o de la plancha de acceso; use el tamaño y el tipo de cable requerido por el código. Conecte el terminal de conexión a tierra del motor a la conexión a tierra del servicio eléctrico. En los circuitos conectados con cordones, revise que haya la conexión a tierra adecuada.

UNION SIN RESISTENCIA:

21. El actual Código Eléctrico Nacional exige que el motor sea unido sin resistencia eléctricamente a la estructura de una piscina o spa/pileta caliente permanentemente instalada, por medio de un conductor de cobre sólido que no sea más pequeño que el No. 8 AWG. El cable de unión sin resistencia debe conectarse desde el conector de cable accesible en el casco del motor a todas las partes de metal de la estructura de la piscina, spa o pileta caliente, y a todo el equipo eléctrico, conductor de metal y tubería de metal dentro de 5 pies de las paredes interiores de una piscina, spa o pileta caliente. Con este fin, se proporciona un empalme de conexión a tierra en la parte exterior del casco del motor.

⚠ ADVERTENCIA

Riesgo de choque eléctrico. Conecte sólo a un circuito eléctrico protegido por un interruptor de circuito con descarga a tierra (GFCI). Comuníquese con un electricista calificado si no puede verificar que el circuito esté protegido por un interruptor GFCI.

Conecte sólo a un circuito eléctrico protegido por un interruptor de circuito con descarga a tierra (GFCI). Este GFCI debe ser provisto por el instalador y debe ser probado de manera rutinaria. Para probar el GFCI presione el botón de prueba. El GFCI debería interrumpir la energía eléctrica. Presione el botón de reinicio. Debería restaurar la energía. Si el GFCI no funciona de esta manera, el GFCI tiene una falla. Si el GFCI interrumpe la energía a la bomba sin que se presione el botón de prueba, hay presencia de corriente de tierra, indicando la posibilidad de un choque eléctrico. No utilice esta bomba. Desconecte la bomba y haga que un representante de servicio técnico calificado corrija el problema antes de utilizar el equipo.

Para las unidades conectadas con cordón y enchufe –no entierre el cordón. Ubique el cordón de modo que se reduzca a un mínimo el abuso de parte de las segadoras, recortadoras y otro equipo.

⚠ ADVERTENCIA

Para las unidades conectadas con cordón y enchufe – Para reducir el riesgo de choque eléctrico, cambie el cordón dañado inmediatamente.

**READ AND FOLLOW ALL SAFETY INSTRUCTIONS
LISEZ ET RESPECTEZ TOUTES LES INSTRUCTIONS DE SECURITE
LEA Y SIGA TODAS LAS INSTRUCCIONES DE SEGURIDAD**

⚠ CAUTION: This pump is for use with permanently installed pools and may also be used with hot tubs and spas. Do not use with storable pools unless pump is protected by factory installed double insulated enclosure. A permanently installed pool is constructed in or on the ground or in a building such that it cannot be readily disassembled for storage. A storable pool is constructed so that it may be readily disassembled for storage and reassembled to its original integrity and has a maximum dimension of 18 feet and a maximum wall height of 42 inches.

Do not install within an outer enclosure or beneath the skirt of a hot tub or spa unless so marked.

INITIAL START UP:

1. Relieve all system pressure and open all air bleeders on total hydraulic system prior to starting the pump. See filter owner's manual.
2. Ensure that all fittings, clamps, closures and couplings are tight and in accordance with equipment manufacturer's recommendations.
3. Open suction and discharge valving to allow free flow of water. On flooded suction pumps with strainer pot, the water source is higher than the pump. The water will flow into the pump strainer pot and the pot will fill with water. On pumps w/o strainer pot, the water will fill the pump housing.
4. On non-flooded suction systems, the pump lid will have to be removed by rotating the lid counter-clockwise to a stop and lifting the lid.
5. The pump strainer pot should be filled with water up to suction opening on the pump.
6. It is good practice to lubricate the lid o-ring with silicone lubricant each time the lid is removed. The o-ring should be cleaned and inspected every time the strainer pot is opened.
7. The lid should be replaced on the pot by aligning the lid ears with the slots on the strainer pot. Press the lid down and twist the lid clockwise to engage the lid.

⚠ ATTENTION : Pour la protection continuée contre le décharge électrique possible, cette unité doit être montée à la base conformément à la procédure d'installation.

⚠ ATTENTION : Cette pompe est destinée à être utilisée avec des piscines à demeure, mais elle peut également l'être avec des bains tourbillons. Ne l'utilisez pas avec les piscines démontables, à moins qu'elle soit protégée par un carter antichoc monté à l'usine. Une piscine à demeure est construite dans le sol ou à la surface de celui-ci, ou dans un bâtiment, de telle façon qu'elle ne puisse être facilement démontée pour entreposage. Une piscine démontable est construite de façon à pouvoir être facilement démontée pour entreposage, puis remontée dans sa configuration d'origine. Sa plus grande dimension est 5,40 mètres (18 pieds) et la hauteur de sa paroi ne dépasse pas 1,05 mètre (42 pouces).

Sauf indication contraire, n'installez pas la pompe sans une protection extérieure ni en-dessous de la jupe d'un bain tourbillons.

MISE EN SERVICE INITIALE :

1. Délestez l'ensemble de la pression dans le système et ouvrez tous les purgeurs d'air sur la totalité du circuit hydraulique avant de mettre la pompe en marche. Voir le manuel d'utilisation du filtre.
2. Vérifiez que tous les raccords, colliers, couvercles et accouplements sont bien serrés et conformes aux recommandations du fabricant de l'équipement.
3. Ouvrez les vannes d'entrée et de sortie pour permettre à l'eau de circuler librement. Sur les pompes à aspiration submergée équipées d'une cuve de crépine, la source d'eau est plus haut que la pompe. L'eau coule dans la cuve de la crépine de celle-ci et la cuve se remplit d'eau. Sur les pompes à aspiration submergée sans cuve de crépine, l'eau remplit le carter de la pompe.
4. Sur les systèmes à aspiration non submergée il faut enlever le couvercle de la pompe en le dévissant dans le sens inverse des aiguilles d'une montre.
5. La cuve de crépine de la pompe doit être remplie d'eau jusqu'à l'orifice d'aspiration de la pompe.
6. Il est recommandé de graisser le joint torique du couvercle avec du lubrifiant silicone chaque fois que le couvercle est enlevé. Le joint torique doit être nettoyé et examiné chaque fois que la cuve de la crépine est ouverte.
7. Le couvercle doit être remis en place sur la cuve en alignant les ergots du couvercle et les fentes de la cuve de crépine. Appuyez sur le couvercle et tournez-le dans le sens des aiguilles d'une montre pour l'enclencher.

⚠ ADVERTENCIA: Para las unidades conectadas con cordón y enchufe – Para reducir el riesgo de choque eléctrico, no use un cordón de extensión para conectar la unidad al suministro eléctrico; proporcione un tomacorriente ubicado en forma adecuada.

⚠ PRECAUCION: Para la protección continuada contra la sacudida eléctrica posible, esta unidad debe ser montada a la base de acuerdo con el procedimiento de instalación.

⚠ PRECAUCION: Esta bomba es para usarse con piscinas que están instaladas permanentemente y también se puede usar con piletas calientes o spas. No la use en piscinas guardables a menos que la bomba esté protegida por una cubierta aislada doble instalada en la fábrica. Una piscina instalada permanentemente está construida en o sobre el suelo o en un edificio de modo tal que no se pueda desmantelar fácilmente para guardarse. Una piscina guardable está construida de modo que se pueda desmantelar fácilmente para guardarse y volverse a montar en su integridad original y tiene una dimensión máxima de 18 pies y una altura de la pared máxima de 42 pulgadas.

No la instale bajo una cubierta exterior o debajo del costado de una pileta caliente o un spa, a menos que así este marcado.

ARRANQUE INICIAL:

1. Alivie toda la presión del sistema y abra todos los purgadores de aire en todo el sistema hidráulico antes de hacer arrancar la bomba. Vea el manual del dueño del filtro.
2. Asegúrese que todos los accesorios, las abrazaderas, los cierres y acoplamientos estén apretados según las recomendaciones del fabricante del equipo.
3. Abra la válvula de succión y descarga para permitir el flujo libre del agua. En las bombas de succión por inundación con el depósito del colador, la fuente del agua está más alta que la bomba. El agua va a fluir en el depósito del colador de la bomba y el depósito se llenará de agua. En las bombas de succión por inundación sin el depósito del colador, el agua llenará la caja de la bomba.
4. En los sistemas de succión que no usan inundación se tendrá que remover la tapa de la bomba haciéndola girar en el sentido contrario en que giran las manillas del reloj hasta que se detenga y luego levantándola.
5. El depósito del colador de la bomba tiene que llenarse con agua hasta la abertura de succión de la bomba.
6. Es una buena costumbre el lubricar el anillo O de la tapa con un lubricante de silicona cada vez que se remueve a la tapa. El anillo O debe limpiarse e inspeccionarse cada vez que se abra el depósito del colador.
7. Se debe volver a colocar la tapa en el depósito alineando los casquillos de la tapa con las ranuras en el depósito del colador. Empuje la tapa hacia abajo y hágala girar en el sentido de las manillas del reloj para engancharla.

**READ AND FOLLOW ALL SAFETY INSTRUCTIONS
LISEZ ET RESPECTEZ TOUTES LES INSTRUCTIONS DE SECURITE
LEA Y SIGA TODAS LAS INSTRUCCIONES DE SEGURIDAD**

8. The pump is now ready to prime. Energize the motor and the pump will prime. The time to prime will depend on the suction lift and the distance and size of suction piping. Turn off power if the pump does not prime within five minutes and refer to the Troubleshooting Guide section of this manual.

NOTICE: Never run the pump dry. Running dry may damage the seals and pump housing. This could allow water leakage and flooding.

C. PUMPOPERATION & MAINTENANCE

The strainer basket in the pump should be inspected and cleaned twice each week. Remove the clear lid and the basket and clean debris from basket. Inspect the lid o-ring; if damaged replace. The pump seal requires no lubrication. Refer to motor service centers for motor servicing.

D. DISASSEMBLY/ASSEMBLY PROCEDURE FOR SEAL REPLACEMENT

⚠ WARNING

Never work on pump while it is running or power is still connected. Hazardous voltage can cause severe or fatal injury.

1. Stop pump and relieve system pressure.
2. Disconnect motor power at circuit breaker.
3. Close suction and discharge valves.
4. Use extreme care when handling the mechanical seal. The mating seal surfaces are polished and are easily damaged.
5. The mechanical seal can be changed without disconnecting piping by removing 6 bolts (see item 8 on page 15) and pulling the motor with pump bracket diffuser and impeller assembly away from front pump housing body.
6. Remove impeller and rotating portion of seal by holding motor shaft and rotating the impeller counter-clockwise when facing the shaft extension on the motor.
7. The rotating portion of the seal can now be removed from the impeller. Clean the impeller hub and lubricate with soapy water. Wipe off shining carbon sealing surface of new mechanical seal with a clean tissue to remove oily fingerprints or other foreign materials. The new rotating seal can be pressed back onto the impeller.

8. La pompe est alors prête à s'amorcer. Mettez le moteur en marche et la pompe s'amorce. La durée de l'amorçage dépend de la hauteur d'aspiration, ainsi que de la longueur et du diamètre de la tuyauterie d'aspiration. Mettez la pompe hors tension si elle ne s'amorce pas dans les cinq minutes et reportez-vous à la section Guide de dépannage du présent manuel.

AVIS : Ne faites jamais tourner la pompe à vide. Sinon, vous risquez d'endommager ses joints et son carter, ce qui risquerait de provoquer des fuites d'eau et une inondation.

C. UTILISATION & ENTRETIEN DE LA POMPE

Le panier de la crépine, qui se trouve dans la pompe, doit être examiné et nettoyé deux fois par semaine. Enlevez le couvercle transparent et le panier, et débarrassez celui-ci des débris qu'il contient. Examinez le joint torique du couvercle ; remplacez-le s'il est endommagé. Le joint de la pompe ne demande aucun graissage. Faites réparer le moteur dans un centre de réparation de moteurs.

D. DEMONTAGE/REMONTAGE POUR REMPLACEMENT DE LA GARNITURE D'ÉTANCHEITÉ

⚠ AVERTISSEMENT

Ne travaillez jamais sur la pompe lorsqu'elle est en marche ou qu'elle est encore sous tension ; une tension dangereuse peut être à l'origine de blessures graves, voire mortelles.

1. Arrêtez la pompe et dépressurisez le système.
2. Mettez le moteur hors tension au disjoncteur.
3. Fermez les vannes d'entrée et de sortie.
4. Faites preuve d'extrême prudence lorsque vous manipulez la garniture mécanique d'étanchéité. Les surfaces de jointement d'étanchéité sont polies et s'endommagent facilement.
5. La garniture mécanique d'étanchéité peut être remplacée sans débrancher la tuyauterie en retirant 6 boulons (voir l'élément 8 page 15) et en écartant le moteur et l'ensemble diffuseur à bride et rotor de pompe du carter de la pompe.
6. Retirez le rotor et la partie tournante de la garniture en bloquant l'axe du moteur et en faisant tourner le rotor dans le sens inverse des aiguilles d'une montre lorsque vous regardez le prolongement de l'axe du moteur.
7. Il est alors possible de séparer la partie tournante de la garniture du rotor. Nettoyez le moyeu du rotor et lubrifiez-le avec de l'eau savonneuse. Essuyez la surface d'étanchéité en carbone brillant de la garniture mécanique d'étanchéité neuve avec un chiffon propre pour en faire disparaître les traces de doigts grasses ou d'autres corps étrangers. La nouvelle garniture rotative peut alors être enfoncée sur le rotor.

8. Ahora la bomba está lista para cebarse. Energice el motor y la bomba se cebará. El tiempo para cebar dependerá del bombeo de succión y de la distancia y el tamaño de la tubería de succión. Desconecte la electricidad si la bomba no se ceba dentro de cinco minutos y refiérase a la sección Guía Para La Identificación De Problemas de este manual.

AVISO: Nunca haga funcionar la bomba hasta que se segue. Si funciona seca se pueden dañar los sellos y la caja de la bomba. Esto puede permitir fugas de agua e inundación.

C. OPERACION Y MANTENIMIENTO DE LA BOMBA

El canasto del colador en la bomba tiene que inspeccionarse y limpiarse dos veces a la semana. Remueva la tapa transparente y el canasto y limpie la mugre del canasto. Inspeccione el anillo O; si está dañado, cámbielo. El sello de la bomba no necesita lubricación. Refiérase a los centros de servicio para darle servicio al motor.

D. PROCEDIMIENTO DE DESMONTAJE/MONTAJE PARA EL CAMBIO DEL SELLO

⚠ ADVERTENCIA

Nunca trabaje en la bomba cuando está funcionando o cuando la corriente está aún conectada. El voltaje peligroso puede producir lesiones graves o fatales.

1. Pare la bomba y alivie la presión del sistema.
2. Desconecte la electricidad del motor en el interruptor de circuito.
3. Cierre las válvulas de succión y descarga.
4. Tenga mucho cuidado cuando está manejando el sello mecánico. Las superficies del sello correspondientes están pulidas y se dañan fácilmente.
5. El sello mecánico se puede cambiar sin desconectar la tubería, removiendo los 6 pernos (vea el artículo 8 en la página 15) y sacando el motor con el difusor del puntal de la bomba y el conjunto del impulsor fuera del cuerpo de la caja de la bomba delantera.
6. Remueva el impulsor y la porción giratoria del sello sosteniendo el eje del motor y haciendo girar el impulsor en el sentido contrario en que giran las manillas del reloj cuando se mira de frente la extensión del eje en el motor.
7. La porción giratoria del sello se puede ahora remover del impulsor. Limpie el cubo del impulsor y lubríquelo con agua jabonosa. Limpie la superficie brillante de sellado de carbono del sello mecánico nuevo con un pañuelo limpio para remover las huellas digitales aceitosas u otros materiales extraños. El sello giratorio nuevo se puede presionar de vuelta en el impulsor.

**READ AND FOLLOW ALL SAFETY INSTRUCTIONS
LISEZ ET RESPECTEZ TOUTES LES INSTRUCTIONS DE SECURITE
LEA Y SIGA TODAS LAS INSTRUCCIONES DE SEGURIDAD**

8. To remove the stationary ceramic seal seat, first loosen the four motor bolts which run through the entire length of the motor into the bracket diffuser. Remove the bracket diffuser from the motor. Press the ceramic seat and rubber gasket out of the bracket diffuser.
 9. Clean the bracket diffuser seal area and lubricate with soapy water. Press the new ceramic seal and gasket into the bracket diffuser, being sure it is fully seated. Wipe off the ceramic sealing surface with a clean tissue to remove oily fingerprints or foreign substances.
 10. Place the bracket diffuser on the motor and carefully align the four motor through bolts. Secure the housing onto the motor being careful not to overtighten the bolts. Gradually bring bolts up to final tightness by moving across diametrically and in a criss-cross pattern.
 11. Screw the impeller with new rotating seal onto the motor shaft. Rotate the motor shaft to make sure the impeller is not touching the bracket diffuser.
 12. Clean the bracket diffuser o-ring and check to make sure it is in position. Replace the motor and bracket diffuser on the front pump housing body and bolt into position with 6 bolts. Gradually bring bolts up to final tightness by moving across diametrically and in a criss-cross pattern.
 13. Refer to initial start-up procedures to restart the pump.
8. Pour retirer le siège de la garniture fixe en céramique, commencez par desserrer les quatre boulons du moteur, qui traversent celui-ci sur toute sa longueur avant de pénétrer dans le diffuseur à bride. Séparez celui-ci du moteur. Appuyez sur le siège en céramique et sur le joint en caoutchouc pour les faire sortir du diffuseur.
 9. Nettoyez la zone d'étanchéité du diffuseur à bride et lubrifiez-la avec de l'eau savonneuse. Enfoncez la garniture en céramique et le joint neufs dans le diffuseur en veillant à ce qu'ils soient bien en place. Essuyez la surface d'étanchéité en céramique avec un chiffon propre pour en faire disparaître les traces de doigts grasses ou substances étrangères.
 10. Placez le diffuseur à bride sur le moteur et alignez soigneusement les quatre boulons traversants du moteur. Fixer le carter sur le moteur en faisant attention de ne pas trop serrer les boulons. Serrez ceux-ci progressivement jusqu'à leur niveau de serrage final en serrant les boulons diamétralement opposés par entrecroisement.
 11. Vissez le rotor équipé de la garniture rotative neuve sur l'axe du moteur. Faites tourner cet axe pour vérifier que le rotor ne touche pas le diffuseur à bride.
 12. Nettoyez le joint torique du diffuseur à bride et vérifiez qu'il est bien en place. Remettez le moteur et le diffuseur en place sur le carter avant de la pompe et fixez-les en position au moyen de 6 boulons. Serrez ceux-ci progressivement jusqu'à leur niveau de serrage final en serrant les boulons diamétralement opposés par entrecroisement.
 13. Reportez-vous à la rubrique de mise en service initiale pour remettre la pompe en marche.
8. Para remover el asiento del sello de cerámica estacionario, suelte primero los cuatro pernos del motor que van a través de todo el largo del motor en el difusor del puntal. Remueva el difusor del puntal del motor. Empuje el asiento de cerámica y la empaquetadura de caucho fuera del difusor del puntal.
 9. Limpie el área de sello del difusor del puntal y lubríquela con agua jabonosa. Presione el sello de cerámica nuevo y la empaquetadura en el difusor del puntal, asegurándose que están bien asentados. Limpie la superficie de sellado de cerámica con un pañuelo limpio para remover las huellas digitales aceitosas u otras sustancias extrañas.
 10. Coloque el difusor del puntal en el motor y alinee cuidadosamente los cuatro pernos pasantes del motor. Asegure la caja al motor, cuidando de no apretar demasiado los pernos. Apriete gradualmente hasta que queden los más apretados posibles moviéndose a travésado diametralmente en un patrón cruzado.
 11. Atornille el impulsor con el nuevo sello giratoria en el eje del motor. Haga girar el eje del motor para asegurarse que el impulsor no está tocando el difusor del puntal.
 12. Limpie el anillo O del difusor del puntal y revise para asegurarse que está en su posición. Reemplace el motor y el difusor del puntal en el cuerpo de la caja de la bomba delantera y apénelos en su posición con 6 pernos. Apriete gradualmente hasta que queden los más apretados posibles moviéndose a travésado diametralmente en un patrón cruzado.
 13. Refiérase al procedimiento de arranque inicial para volver a hacer arrancar la bomba.

E. WINTERIZING PROCEDURE

NOTICE: Allowing the water to freeze in pump will damage the pump and cause potential water damage / flooding and potential property damage.

1. Drain all water from pump housing and piping when freezing temperatures are expected. A drain plug is provided to drain the pump. If the pump has a strainer pot, both the strainer drain plug and the housing drain plug should be removed. If pump has no strainer pot, then only remove the housing plug.
2. If the pump can be removed and placed in an inside dry location this should be done.
3. For an outdoor unprotected location, it is best to protect the equipment in a weatherproof enclosure.
4. Do not wrap the motor with plastic because condensation could form inside the motor.
5. In installation where the pump cannot be drained, a 40% propylene glycol 60% water solution will protect to -50° F.

NOTICE: Do not use anti-freeze solutions except propylene glycol; as other anti-freeze is highly toxic and will damage the pump.

E. HIVERNISATION

AVIS : Laisser l'eau geler dans la pompe endommagera celle-ci et entraînera des dégâts causés par l'eau ou une inondation et des dégâts matériels potentiels.

1. Vidangez toute l'eau du carter et de la tuyauterie de la pompe lorsque vous vous attendez à des températures inférieures à zéro. Un bouchon de vidange est prévu pour permettre la vidange de la pompe. Si celle-ci est équipée d'une cuve de crépine, le bouchon de vidange de celle-ci et celui du carter doivent être retirés. Sinon, retirez simplement le bouchon de vidange du carter.
2. Si la pompe peut être déposée et placée à l'intérieur d'un local sec, faites-le.
3. Si l'équipement reste à l'extérieur dans un endroit non protégé, il vaut mieux le protéger avec une bâche imperméable.
4. N'enveloppez pas le moteur de la pompe avec du plastique parce que de la condensation se formerait alors à l'intérieur du moteur.
5. Dans les installations dans lesquelles la pompe ne peut être vidangée, une solution de 40% de propylène glycol et de 60% d'eau assurera une protection jusqu'à -45°C (-50°F).

AVIS : N'utilisez pas de solutions antigels autres qu'au propylène glycol dans la mesure où un autre antigel est extrêmement toxique et endommagera la pompe.

E. PROCEDIMIENTO DE PREPARACION PARA EL INVIERNO

AVISO: Si se permite que el agua se congele en la bomba, se dañará la bomba y se producirá daño potencial de agua/inundación y daño potencial a la propiedad.

1. Drene toda el agua de la caja de la bomba y de la tubería cuando se esperan temperaturas de congelación. Se proporciona un tapón de drenaje para drenar la bomba. Si la bomba tiene un depósito del colador, tanto el tapón de drenaje del colador como el tapón de drenaje de la caja se deben remover. Si la bomba no tiene depósito del colador, sólo remueva el tapón de la caja.
2. Si se puede remover la bomba y colocarse en un lugar interior, seco, esto debería llevarse a cabo.
3. Si está en un lugar exterior, no protegido, es mejor proteger el equipo con una cubierta a prueba de intemperie.
4. No envuelva el motor con plástico debido a que se podría formar condensación dentro del motor.
5. En las instalaciones en donde la bomba no se puede drenar, una solución de 40% de propilenglicol y 60% de agua protegerá la bomba hasta -50°F.

AVISO: No use soluciones anticongelantes excepto propilenglicol; pues cualquier otro anticongelante es muy tóxico y dañará la bomba.

**READ AND FOLLOW ALL SAFETY INSTRUCTIONS
LISEZ ET RESPECTEZ TOUTES LES INSTRUCTIONS DE SECURITE
LEA Y SIGA TODAS LAS INSTRUCCIONES DE SEGURIDAD**

The following are some common causes of problems that may arise.

F. TROUBLESHOOTING GUIDE

Problem	Cause	Remedy
A. Pump will not prime	<ol style="list-style-type: none"> 1. No water in strainer pot. 2. Strainer pot lid is not tight. 3. Damaged lid o-ring. 4. Water level is below skimmer. 5. Strainer basket or skimmer basket is clogged. 6. Closed valve in piping system. 7. Pump is on low speed (two speed units only). 8. Air leak in suction line. 	<p>Add water to pot. Tighten lid. Replace o-ring. Adjust pool water level. Clear basket. Check all valves and open all necessary valves. Adjust to high speed. Find & fix leak.</p>
B. Low Flow-High Filter Pressure	<ol style="list-style-type: none"> 1. Filter is dirty. 2. Restriction in return line. 	<p>Clean filter. Open return line restriction.</p>
C. Low Flow-Low Filter Pressure	<ol style="list-style-type: none"> 1. Strainer basket or skimmer basket is clogged. 2. Clogged impeller. 3. Air leak in suction line. 4. Restriction in suction line. 	<p>Clean basket. Clean obstruction. Find & fix leak. Find and open restriction.</p>
D. Motor does not turn	<ol style="list-style-type: none"> 1. Power switch is off. 2. Circuit breaker has tripped. 3. Pump is in "Off-mode" on a timer controlled circuit. 4. Motor terminal connections are incorrect. 5. Motor shaft is locked by bad bearing. 6. Impeller is locked by debris. 	<p>Check power switch & reset. Check circuit breaker & reset, if re-trips, contact electrician. Check timer mode. Have terminal connections checked by electrician. Have motor bearings replaced or replace pump. Clean impeller.</p>
E. Motor Over-Heating	<ol style="list-style-type: none"> 1. Electrical supply connections are incorrect. 2. Wiring to pump is undersized. 3. Power Company supply voltage is low. 4. Ventilation is inadequate for motor. 	<p>Have terminal connections checked by electrician. Consult electrician to rewire pump. Notify Power Company. Remove any restrictions to air flow.</p>

Vous trouvez ci-dessous quelques-unes des causes courantes des problèmes susceptibles de se poser.

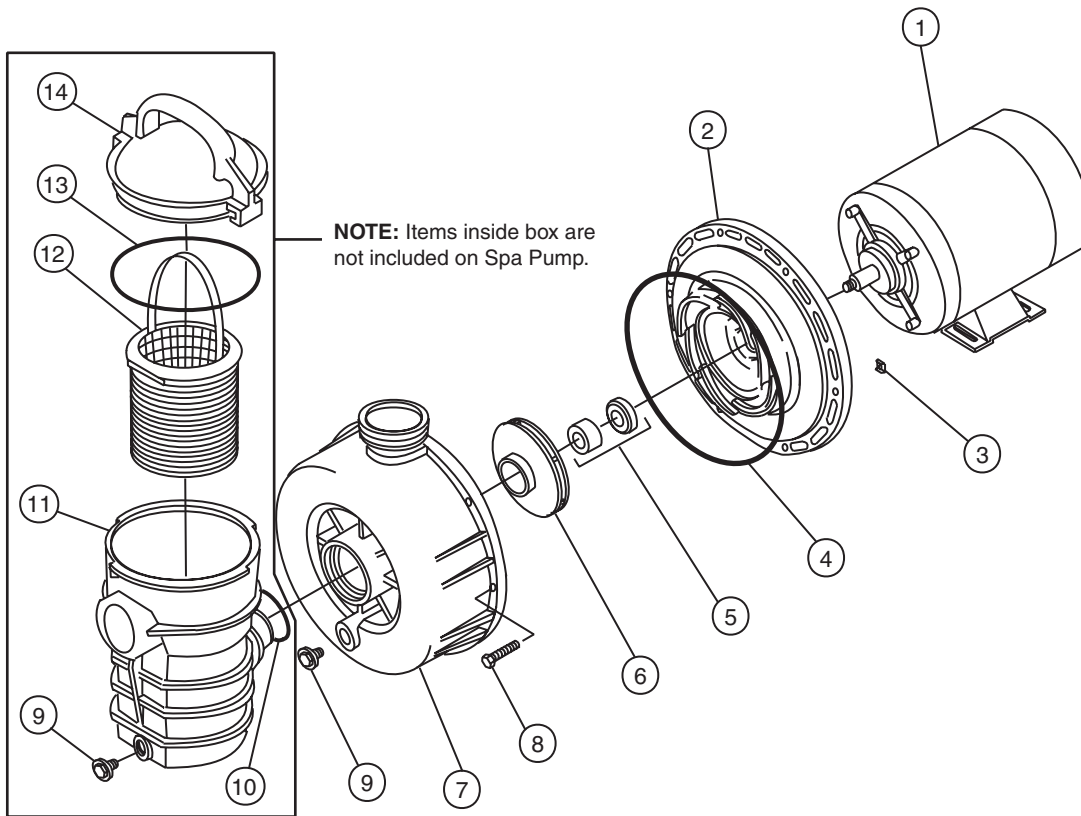
F. GUIDE DE DÉPANNAGE

Problème	Cause	Solution
A. Le pompe ne s'amorce pas	<ol style="list-style-type: none"> 1. Absence d'eau dans la crépine. 2. Couvercle de crépine mal serré. 3. Joint torique de couvercle endommagé. 4. Niveau d'eau n'atteignant pas le collecteur. 5. Colmatage de la crépine ou du collecteur. 6. Vanne fermée dans la tuyauterie. 7. Pompe réglée à basse vitesse (pompes à deux vitesses uniquement). 8. Fuite d'air dans le tuyau d'aspiration. 	<p>Versez de l'eau dans la crépine. Serrez le couvercle. Remplacez le joint torique. Réglez le niveau d'eau de la piscine. Nettoyez-le. Vérifiez toutes les vannes et ouvrez celles qui sont fermées. Réglez-la à haute vitesse. Localisez & supprimez la fuite.</p>
B. Débit trop bas/pression trop élevée dans le filtre	<ol style="list-style-type: none"> 1. Filtre sale. 2. Tuyau de retour obstrué. 	<p>Nettoyez le filtre. Débouchez le tuyau de retour.</p>
C. Débit trop bas/pression trop basse dans le filtre	<ol style="list-style-type: none"> 1. Colmatage de la crépine ou du collecteur. 2. Rotor obstrué. 3. Fuite d'air dans le tuyau d'aspiration. 4. Tuyau d'aspiration obstrué. 	<p>Nettoyez-le. Dégagez-le. Localisez & supprimez la fuite. Localisez l'obstruction et débouchez le tuyau.</p>
D. Le moteur ne tourne pas	<ol style="list-style-type: none"> 1. Interrupteur d'alimentation en position de coupure. 2. Disjoncteur déclenché. 3. Pompe mise en mode d'arrêt par un circuit commandé par minuterie. 4. Connexions incorrectes des bornes du moteur. 5. Arbre du moteur grippé à cause d'un roulement défectueux. 6. Rotor bloqué par des débris. 	<p>Vérifiez l'interrupteur et mettez-le dans la bonne position. Vérifiez le disjoncteur & réarmez-le. S'il se redéclenche, consultez un électricien. Vérifiez le mode de la minuterie. Faites vérifier les connexions des bornes par un électricien. Faites remplacer les roulements du moteur ou remplacez la pompe. Nettoyez le rotor.</p>
E. Surchauffe du moteur	<ol style="list-style-type: none"> 1. Connexions d'alimentation électrique incorrectes. 2. Calibre insuffisant du cordon d'alimentation de la pompe. 3. Tension insuffisante du secteur. 4. Ventilation insuffisante du moteur. 	<p>Faites vérifier les connexions des bornes par un électricien. Consultez un électricien pour remplacer le cordon. Aviser la compagnie d'électricité. Éliminez tout obstacle à la circulation d'air.</p>

**READ AND FOLLOW ALL SAFETY INSTRUCTIONS
LISEZ ET RESPECTEZ TOUTES LES INSTRUCTIONS DE SECURITE
LEA Y SIGA TODAS LAS INSTRUCCIONES DE SEGURIDAD**

Las siguientes son algunas causas comunes de problemas que pueden suceder.

Problema	Causa	Solución
A. La bomba no se ceba	<ol style="list-style-type: none"> 1. No hay agua en el depósito del colador. 2. La tapa del depósito del colador no está apretada. 3. Anillo o de le tapa dañado. 4. El nivel de agua está debajo del despumador. 5. El canasto colador o el canasto despumador está tapado. 6. Válvula cerrada en el sistema de tubería. 7. La bomba está en velocidad baja (unidades de dos velocidades solamente). 8. Fuga de aire en la línea de succión. 	<p>Agregue agua al depósito. Apriete la tapa. Cambie el anillo o Ajuste el nivel de agua de la piscina. Limpie el canasto. Revise todas las válvulas y abra las válvulas necesarias. Ajústela para alta velocidad. Encuentre y arregle la fuga.</p>
B. Flujo bajo-alta presión del filtro	<ol style="list-style-type: none"> 1. El filtro está sucio. 2. Restricción en la tubería de retorno. 	<p>Limpie el filtro. Abra la restricción de la tubería de retorno.</p>
C. Flujo bajo-baja presión del filtro	<ol style="list-style-type: none"> 1. El canasto colador o el canasto despumador está tapado. 2. Impulsor tapado. 3. Fuga de aire en la tubería de succión. 4. Restricción en la tubería de succión. 	<p>Limpie el canasto. Limpie la obstrucción. Encuentre y arregle la fuga. Encuentre y abra la restricción.</p>
D. El motor no da vueltas	<ol style="list-style-type: none"> 1. El interruptor de la electricidad está apagado. 2. El interruptor de circuito está disparado. 3. La bomba está en el modo de desconexión en un circuito controlado por un contador de tiempo. 4. Las conexiones del terminal del motor están incorrectas. 5. El eje del motor está atascado con un rodamiento malo. 6. El impulsor está atascado con basura. 	<p>Revise el interruptor de corriente y vuélvalo a ajustar. Revise el interruptor de circuito y vuélvalo a ajustar. Si se vuelve a disparar póngase en contacto con un electricista. Revise el modo del contador de tiempo. Haga que un electricista revise las conexiones del terminal. Cambie los rodamientos del motor o cambie la bomba. Limpie el impulsor.</p>
E. El motor está sobrecalentándose	<ol style="list-style-type: none"> 1. Las conexiones del suministro eléctrico están incorrectas. 2. El cableado a la bomba es de una dimensión muy pequeña. 3. El voltaje de la Compañía de Electricidad es bajo. 4. La ventilación no es adecuada para el motor. 	<p>Haga que un electricista revise las conexiones del terminal. Consulte con el electricista para volver a cablear la bomba. Avísele a la Compañía de Electricidad. Remueva cualquier restricción en el flujo de aire.</p>



NOTE: Items inside box are not included on Spa Pump.

NOTE:

1. For replacement cord or motor, consult factory customer service.

UL listed pumps are supplied with a 3' long power supply cord.

CUL listed pumps are supplied without a power supply cord.

HOW TO ORDER PARTS

WHEN ORDERING PARTS, GIVE HP, PUMP SERIAL NO., MODEL NO., & ITEM NO.

TO YOUR LOCAL

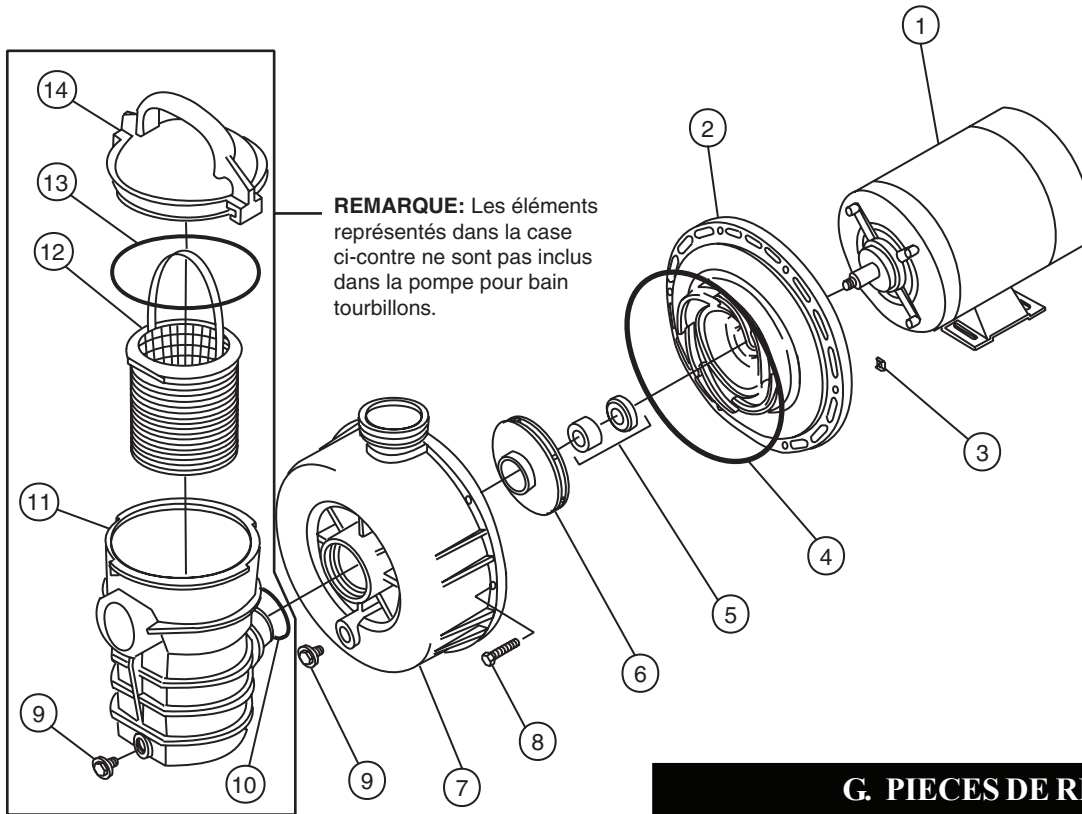
Pentair DEALER – H.P., PUMP SERIAL NO. & MOTOR NO. ARE LOCATED ON PUMP

G. REPLACEMENT PARTS

ITEM #	P/N	DESCRIPTION	QTY.
1	—	MOTOR (SEE NOTE 1)	1
2	354632	BRACKET, DIFFUSER ¼ HP	1
2	354633	BRACKET, DIFFUSER 1, 1½ HP	1
3	354542	SQ. NUT #10-24 s/s	6
4	354634	O-RING 3/16 in. PUMP BRACKET	1
5	354545	SEAL-MECHANICAL 5/8 in.	1
6	353002	IMPELLER ASSY. ½ HP	1
6	354552	IMPELLER ASSY. ¾ HP	1
6	355122	IMPELLER ASSY. 1 HP, 1½ HP	1
7	354630	HOUSING BODY	1
8	354541	SCREW-SLOTTED HEX #10-24, 1-3/8 in.	6
9	U178-920P	DRAIN PLUG ASSEMBLY	2
10	273062	O-RING	1
11	354530	POT	1
12	354548	BASKET ASSY.	1
13	354533	O-RING, LID	1
14	354531	LID	1
NOT SHOWN			
	155233	POWER SUPPLY LABEL, 3' STANDARD CORD	1
	155238	POWER SUPPLY LABEL, 3' TWIST LOCK CORD	1
	357186	CAUTION LABEL, 230V	1
	357187	CAUTION LABEL, 115V	1
	357188	CAUTION LABEL, 115V/230V	1
	98997900	CAUTION TAG	1
	354648	CAUTION LABEL, CSA	1

READ AND FOLLOW ALL SAFETY INSTRUCTIONS

SAVE THESE INSTRUCTIONS

**REMARQUE:**

1. Pour commander un cordon ou moteur de rechange, adressez-vous au service après-vente de l'usine.

UL a énuméré des pompes sont fournies avec un 3 > la corde d'alimentation longue.

CUL a énuméré des pompes sont fournies sans une corde d'alimentation.

COMMANDE DE PIÈCES

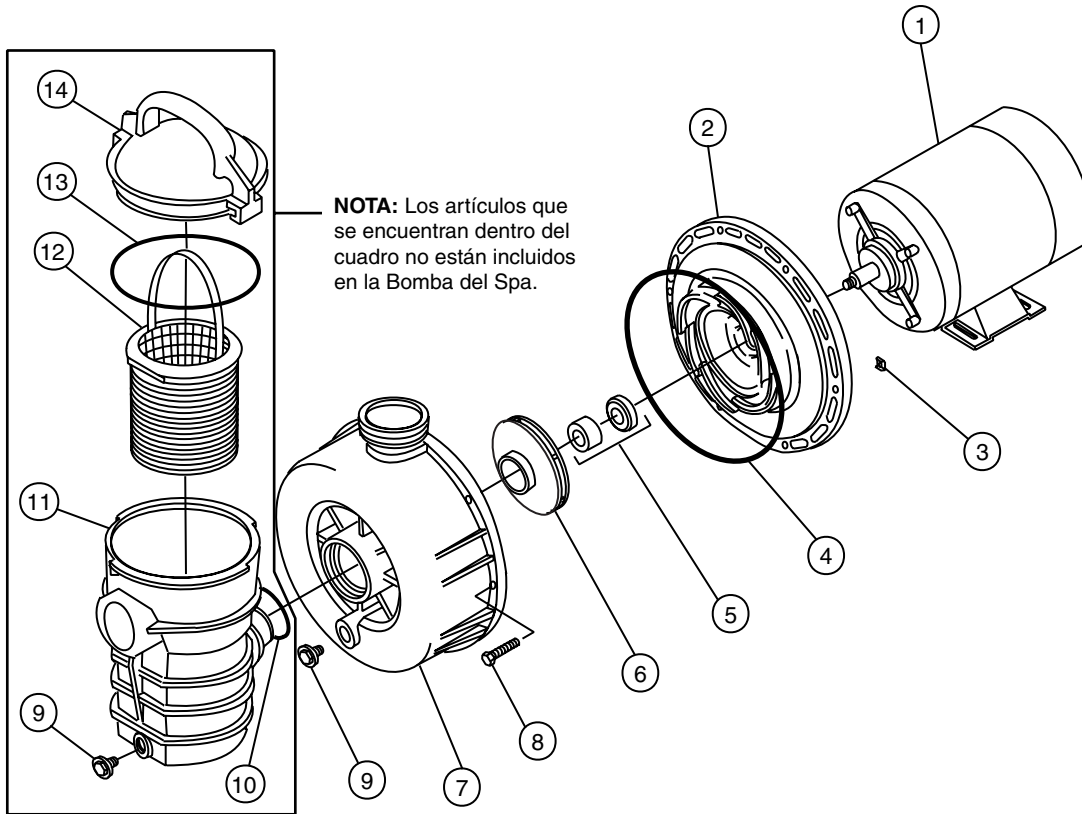
LORSQUE VOUS COMMANDEZ DES PIÈCES, INDIQUEZ LA PUISSANCE, LES NOS. DE SERIE ET DE MODELE DE LA POMPE & LE NO. D'ELEMENT A VOTRE REVENDEUR **Pentair** LOCAL. DE MODELE DE LA POMPE SONT INDIQUES SUR LA POMPE

G. PIÈCES DE RECHANGE

ELEMENT	NO. DE PIÈCE	DESCRIPTION	QTE.
1	—	MOTEUR (VOIR REMARQUE 1)	1
2	354632	DIFFUSEUR A BRIDE ¾ CV	1
2	354633	DIFFUSEUR A BRIDE 1, 1½ CV	1
3	354542	ECROU CARRE No. 10-24 INOX	6
4	354634	JOINT TORIQUE, SUPPORT DE POMPE 4,7 MM (3/16 PO.)	1
5	354545	GARNITURE D'ETANCHEITE-MECANIQUE 15,9 MM (5/8 PO.)	1
6	353002	ROTOR ½ CV	1
6	354552	ROTOR ¾ CV	1
6	355122	ROTOR 1 CV, 1½ CV	1
7	354630	CARTER - CORPS	1
8	354541	VIC-TETE 6 PANS FENDUE No.10-24 X 34,9 MM, (1-3/8 PO.)	6
9	U178-920F	BOUCHON 6,3 MM (¼ PO.)	2
10	273062	JOINT TORIQUE	1
11	354530	CUVE	1
12	354548	PANIER	1
13	354533	JOINT TORIQUE, COUVERCLE	1
14	354531	COUVERCLE	1
NON REPRÉSENTÉ			
	155233	ÉTIQUETTE DE SOURCE D'ALIMENTATION, CORDON D'ALIMENTATION STANDARD 3'	1
	155238	ÉTIQUETTE DE SOURCE D'ALIMENTATION, CORDON D'ALIMENTATION À VERROUILLAGE PAR ROTATION 3'	1
	357186	ÉTIQUETTE D'AVERTISSEMENT, 230V	1
	357187	ÉTIQUETTE D'AVERTISSEMENT, 115V	1
	357188	ÉTIQUETTE D'AVERTISSEMENT, 115V/230V	1
	98997900	ÉTIQUETTE D'AVERTISSEMENT	1
	354648	ÉTIQUETTE D'AVERTISSEMENT, CSA	1

**LISEZ ET RESPECTEZ TOUTES
LES INSTRUCTIONS DE SECURITE**

CONSERVEZ CES INSTRUCTIONS



NOTA: Los artículos que se encuentran dentro del cuadro no están incluidos en la Bomba del Spa.

NOTA:

1. Para el cordón o el motor de repuesto consulte al departamento de servicio al consumidor de la fábrica.

UL listó bombas son suministradas con un 3' cuerda larga de alimentación.

CUL listó bombas son suministradas sin una cuerda de alimentación.

COMO ORDENAR LAS PARTES

CUANDO ORDENE LAS PARTES, PROPORCIONE LOS CABALLOS DE FUERZA (HP), EL NUMERO DE SERIE DE LA BOMBA, EL NUMERO DEL MODELO Y EL NUMERO DEL ARTICULO A SU DISTRIBUIDOR DE **Pentair** LOCAL. LOS CABALLOS DE FUERZA (HP), EL NUMERO DE SERIE DE LA BOMBA Y DEL MODELO ESTAN UBICADOS EN LA BOMBA.

G. PARTES DE REPUESTO

ARTICULO	PORTE NO.	DESCRIPCION	CANTIDAD
1	—	MOTOR (VEA LA NOTA 1)	1
2	354632	DIFUSOR DEL PUNTAL ¾ HP	1
2	354633	DIFUSOR DEL PUNTAL 1 HP, 1½ HP	1
3	354542	TUERCA CUADRADA No. 10-24, ACERO INOXIDABLE	6
4	354634	ANILLO O, PUNTAL DE LA BOMBA 3/16"	1
5	354545	SELLO - MECANICO 5/8"	1
6	353002	CONJUNTO DEL IMPULSOR ½ HP	1
6	354552	CONJUNTO DEL IMPULSOR ¾ HP	1
6	355122	CONJUNTO DEL IMPULSOR 1 HP, 1½ HP	1
7	354630	CAJA - CUERPO	1
8	354541	TORNILLO - HEXAGONAL, CON RANURAS No. 10-24, 1-3/8"	6
9	U178-920P	TAPON ¼"	2
10	273062	ANILLO O	1
11	354530	DEPOSITO	1
12	354548	CONJUNTO DEL CANASTO	1
13	354533	TAPA ANILLO O	1
14	354531	TAPA	1
NO MOSTRADO			
	155233	ETIQUETA DE LA FUENTE DE ALIMENTACIÓN ELÉCTRICA, CABLE REGULAR DE 3'	1
	155238	ETIQUETA DE LA FUENTE DE ALIMENTACIÓN ELÉCTRICA, CABLE DE BLOQUEO POR TORSIÓN DE 3'	1
	357186	ETIQUETA DE ADVERTENCIA, 230V	1
	357187	ETIQUETA DE ADVERTENCIA, 115V	1
	357188	ETIQUETA DE ADVERTENCIA, 115V/230V	1
	98997900	RÓTULO DE ADVERTENCIA	1
	354648	ETIQUETA DE ADVERTENCIA, CSA	1

LEA Y SIGA TODAS LAS INSTRUCCIONES DE SEGURIDAD

GUARDE ESTAS INSTRUCCIONES

NOTES/NOTAS/REMARQUES



1620 HAWKINS AVE., SANFORD, NC 27330 • (919) 566-8000
10951 WEST LOS ANGELES AVE., MOORPARK, CA 93021 • (805) 553-5000

WWW.PENTAIRPOOL.COM

© 2018 Pentair Water Pool and Spa, Inc. All rights reserved. This document is subject to change without notice. Tous droits réservés. Les renseignements se trouvant dans ce document sont assujettis à des changements sans préavis. Todos los derechos reservados. La información que aparece en este documento está sujeta a cambio sin aviso previo.



P/N 354554 REV. G 7/19/18