

# Y-STRAINER ACCESSORIES



# PENTAIR AURORA Y-STRAINER

## ACCESSORY FEATURES

### A. INLET AND OUTLET CONNECTIONS

Are 125# ANSI Standard or NPT thread.  
 Flanged: 175 PSI maximum pressure (150°F) (150 PSI for 14" and 16") Threaded: 400 PSI maximum pressure (150°F).

### B. 304 STAINLESS STEEL

Screen helps protect pump and system from abrasive damage.

### C. BLOW-OFF PLUG

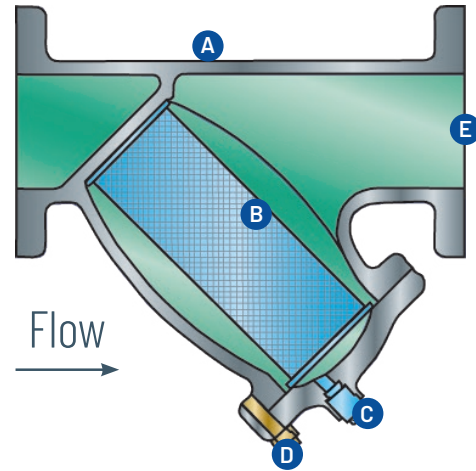
Helps keep screen clean and pressure drop to minimum.

### D. GASKET COVER

150°F maximum temperature (65°C).

### E. AVAILABLE IN SIZES FROM 1/2" TO 16"

19 different sizes available.



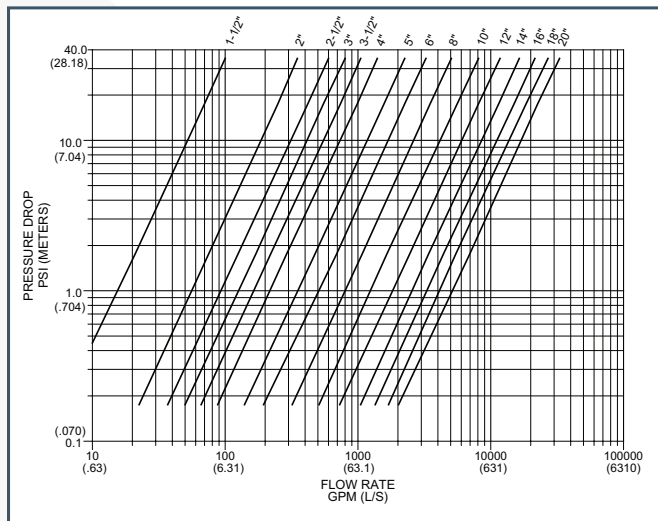
MATERIALS OF CONSTRUCTION	
Valve Body	Cast Iron, ASTM A48
Cover	Cast Iron, ASTM A48
Start-Up Screen	304 Stainless Steel
Gasket	Fiber
Purge/Drain Plugs	Wrought Steel
Cap Screws	Wrought Steel

## TYPICAL SPECIFICATION

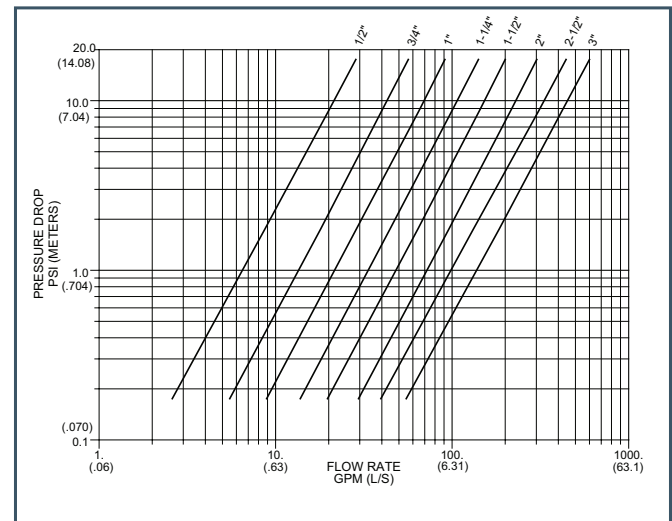
The contractor shall furnish and install in location an Aurora Y-Strainer Model \_\_\_\_\_, Size \_\_\_\_\_. The Y-Strainer shall be of cast iron construction. A screen of 304 stainless steel will be included. The cover shall be gasket sealed and equipped with blow off plug. Each Y-Strainer will have ANSI 125 # flanges or pipe thread connections.

## PRESSURE DROP CHARTS

### THREADED, NPT CONNECTIONS

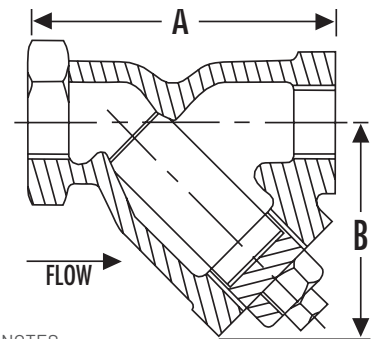


### FLANGED, 125# ANSI CONNECTIONS



# DIMENSIONAL DETAILS

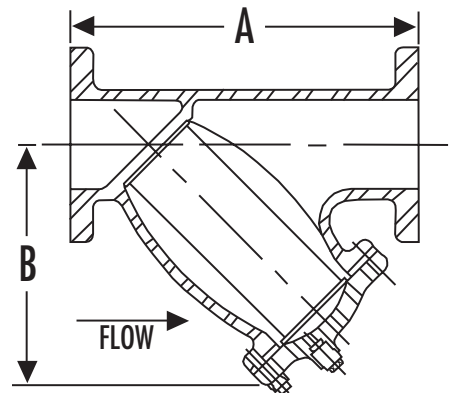
THREADED Y-STRAINERS							
MODEL	SIZES NPT	A	B	SIZE OF NPT BLOW-OFF	TOTAL SCREEN AREA IN <sup>2</sup> (CM <sup>2</sup> )	SCREEN OPEN AREA	SHIP WT. LBS. (KG)
		INCHES (MM)	INCHES (MM)				
1020TS0050	1/2"	3.44 (87)	2.50 (64)	3/8"	5.4 (35)	20 mesh 52% open	1.50 (0.7)
1020TS0075	3/4"	4.00 (102)	2.75 (70)	1/2"	8.7 (56)	20 mesh 52% open	2.50 (1.1)
1020TS0100	1"	4.63 (118)	3.25 (83)	1/2"	11.9 (77)	20 mesh 52% open	4.50 (2.0)
1020TS0125	1 1/4"	5.38 (137)	4.00 (102)	3/4"	16.2 (105)	20 mesh 52% open	6.50 (2.9)
1020TS0150	1 1/2"	6.00 (152)	4.50 (114)	3/4"	23.2 (150)	20 mesh 52% open	8.75 (4.0)
1020TS0200	2"	7.50 (191)	5.38 (137)	1"	35 (226)	20 mesh 52% open	12.50 (5.7)
1020TS0250	2 1/2"	9.00 (229)	7.19 (183)	1 1/4"	54 (348)	.045 Dia. 36% open	24.00 (10.9)
1020TS0300	3"	10.00 (254)	7.88 (200)	1 1/4"	73 (471)	.045 Dia. 36% open	30.00 (13.6)



## NOTES

1. All dimensions in inches (mm).
2. Dimensions may vary  $\pm .13$  (3).
3. Maximum working temperature water, 150°F (65°C).
4. Maximum working pressure: Threaded 400 PSI.
5. Not for construction purposes unless certified.
6. Inlet and Outlet Threaded NPT or 125# ANSI flat face.

FLANGED Y-STRAINERS							
MODEL	SIZES 125# ANSI	A	B	SIZE OF NPT BLOW-OFF	TOTAL SCREEN AREA IN <sup>2</sup> (CM <sup>2</sup> )	SCREEN OPEN AREA	SHIP WT. LBS. (KG)
		INCHES (MM)	INCHES (MM)				
1020TFC0200	2"	9.88 (251)	6.19 (157)	1/2"	34.5 (223)	.045 Dia. 36% open	22 (10)
1020TFC0250	2-1/2"	11.25 (286)	7.63 (194)	1"	55 (355)	.045 Dia. 36% open	36 (17)
1020TFC0300	3"	12.50 (318)	8.25 (210)	1"	73 (471)	.045 Dia. 36% open	44 (20)
1020TFC0400	4"	14.88 (378)	10.06 (256)	1-1/4"	117 (755)	.125 Dia. 40% open	68 (31)
1020TFC0500	5"	17.94 (456)	12.50 (318)	1-1/4"	188 (1213)	.125 Dia. 40% open	117 (53)
1020TFC0600	6"	20.38 (518)	14.31 (363)	1-1/2"	259 (1671)	.125 Dia. 40% open	147 (67)
1020TFC0800	8"	24.00 (610)	17.38 (441)	1-1/2"	414 (2671)	.125 Dia. 40% open	246 (112)
1020TFC1000	10"	29.50 (749)	20.88 (530)	2"	620 (4000)	.125 Dia. 40% open	425 (193)
1020TFC1200	12"	33.75 (857)	23.56 (598)	2"	844 (5445)	.125 Dia. 40% open	568 (258)
1020TFC1400	14"	37.25 (946)	29.00 (737)	2"	1179 (7607)	.125 Dia. 40% open	790 (358)
1020TFC1600	16"	42.38 (1076)	33.00 (838)	2"	1460 (9420)	.125 Dia. 40% open	1035 (469)



## NOTES

1. All dimensions in inches (mm).
2. Dimensions may vary  $\pm .13$  (3).
3. Maximum working temperature water, 150°F (65°C).
4. Maximum working pressure: Flanged 175 PSI (14" and 16" 150 PSI).
5. Not for construction purposes unless certified.
6. Inlet and Outlet Threaded NPT or 125# ANSI flat face.

# YOUR PUMP PARTNER FOR THE WHOLE BUILDING

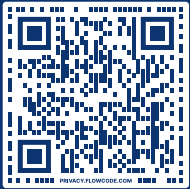


## Protecting legacies like yours for more than a century

Our extensive pump portfolio, crafted with a tradition of quality and excellence, has countless applications in commercial buildings. Whether it's fire suppression for safety or HVAC and boosting applications for comfort, your building is covered with dynamic water movement solutions that fit your needs.

No matter where it's used, you can trust that your pump is backed by a dedicated team providing unwavering support throughout its lifetime.

Because every decision counts when selecting pump equipment that protects your building and the people inside.



**EXPLORE OUR PUMP  
PORTFOLIO**

**FIRE SUPPRESSION • HVAC  
PRESSURE BOOSTING**



800 Airport Road  
North Aurora, IL 60542

3601 Fairbanks Ave.  
Kansas City, KS 66106

[pentair.com/aurora](https://www.pentair.com/aurora)



All indicated Pentair trademarks and logos are property of Pentair. Third party registered and unregistered trademarks and logos are the property of their respective owners.

©2024 Pentair. All Rights Reserved.

A-02-1041 (05-23-24)