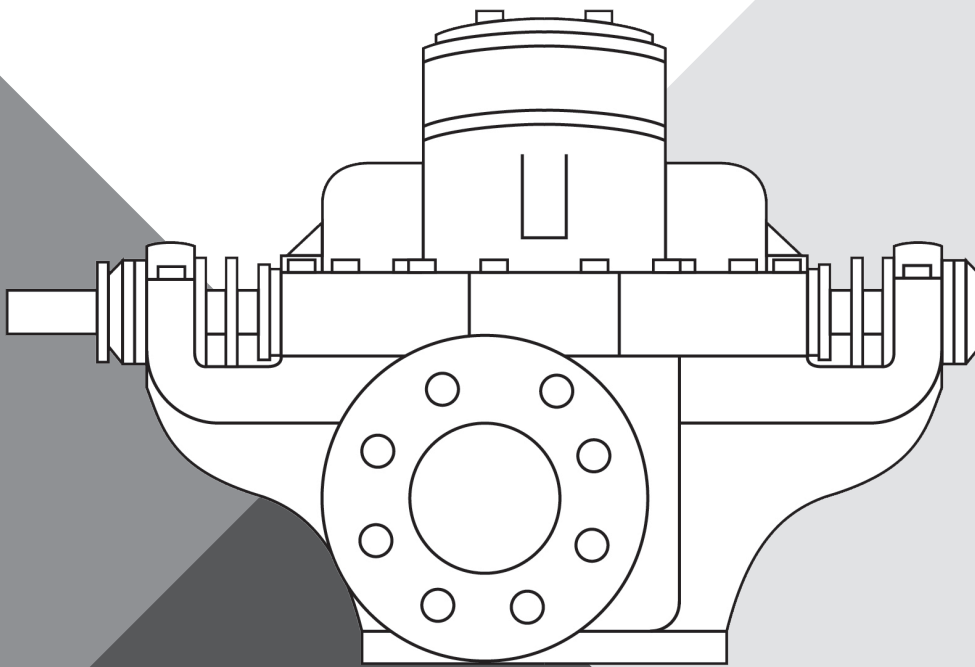




## SPLIT CASE PUMPS

410, 420, 430B, 470, 480, 490 SERIES



## REPAIR KITS AND PARTS GUIDE

[pentair.com/aurora](http://pentair.com/aurora)

# TABLE OF CONTENTS

SERIES	DESCRIPTION	PAGE NO.
	MATERIAL CODE INDEX . . . . .	3
<b>HVAC &amp; WATER SUPPLY PUMPS</b>		
410	PACKING REPAIR KIT . . . . .	4
410	SEAL REPAIR KIT . . . . .	5
410	OVERHAUL KIT WITH PACKING . . . . .	6
410	OVERHAUL KIT WITH SEAL . . . . .	7
410	ROTATING ASSEMBLY WITH PACKING . . . . .	8
410	ROTATING ASSEMBLY WITH SEAL . . . . .	9
410	KIT SELECTION TABLE . . . . .	10
410	NSF KIT SELECTION TABLE . . . . .	11
420	PACKING REPAIR KIT . . . . .	12
420	SEAL REPAIR KIT . . . . .	13
420	OVERHAUL KIT WITH PACKING . . . . .	14
420	OVERHAUL KIT WITH SEAL . . . . .	15
420	ROTATING ASSEMBLY WITH PACKING . . . . .	16
420	ROTATING ASSEMBLY WITH SEAL . . . . .	17
420	KIT SELECTION TABLE . . . . .	18
430B	PACKING REPAIR KIT . . . . .	19
430B	SEAL REPAIR KIT . . . . .	20
430B	OVERHAUL KIT WITH PACKING . . . . .	21
430B	OVERHAUL KIT WITH SEAL . . . . .	22
430B	ROTATING ASSEMBLY WITH PACKING . . . . .	23
430B	ROTATING ASSEMBLY WITH SEAL . . . . .	24
430B	WATER COOLED CATRIDGE CAP KIT . . . . .	25
430B	KIT SELECTION TABLE . . . . .	26
<b>FIRE PUMPS</b>		
471	PACKING REPAIR KIT . . . . .	27
471	OVERHAUL KIT WITH PACKING . . . . .	28
481 & 483	PACKING REPAIR KIT . . . . .	29
481 & 483	OVERHAUL KIT WITH PACKING . . . . .	30
481 & 483	ROTATING ASSEMBLY WITH PACKING . . . . .	31
485	PACKING REPAIR KIT . . . . .	32
485	OVERHAUL KIT WITH PACKING . . . . .	33
485	ROTATING ASSEMBLY WITH PACKING . . . . .	34
480	KIT SELECTION TABLE . . . . .	35
491 & 492	PACKING REPAIR KIT . . . . .	36
491 & 492	OVERHAUL KIT WITH PACKING . . . . .	37
491 & 492	ROTATING ASSEMBLY WITH PACKING . . . . .	38
492	PACKING REPAIR KIT . . . . .	39
492	OVERHAUL KIT WITH PACKING . . . . .	40
492	ROTATING ASSEMBLY WITH PACKING . . . . .	41
490	KIT SELECTION TABLE . . . . .	42
	NOTES PAGE . . . . .	43
	WARRANTY . . . . .	44

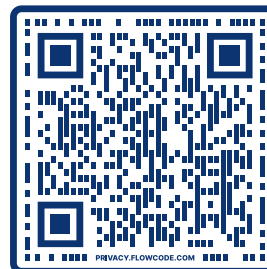
# MATERIAL CODE INDEX

CODE	MATERIAL DESCRIPTION
010	Gray Cast Iron - Class 30
028	Malleable Cast Iron
053	Ductile Iron 60-45-10
058	Wrought Carbon Steel C1018
062	Carbon Steel C1040
063	Carbon Steel C1045
080	Steel Fasteners SAE #2
082	Steel Fasteners SAE #5
087	Wrought Steel Misc. Appl
088	Wrought Spring Steel
100	303 Stainless Steel
104	316 Stainless Steel
107	416 Stainless Steel
108	440C Stainless Steel Hardened
109	416 Stainless Steel - Heat Treated
111	Alloy 20 Stainless Steel
190	Bronze Fastener Hardware
199	Lead Semi-Red Brass 81-3-7-9
208	Lead Red Brass 85-5-5-5
225	Cast Silicon Brass
319	Cast or Wrought Aluminum
360	Cadmium Plated Steel
370	Chrome Plated Cast Iron
387	Galvanized Malleable Iron
457	Buna-N
478	Neoprene
494	Viton
500	Nylon Resin Zytel ST801
503	Polyethylene Plastic
505	Polyvinyl Chloride Tubing

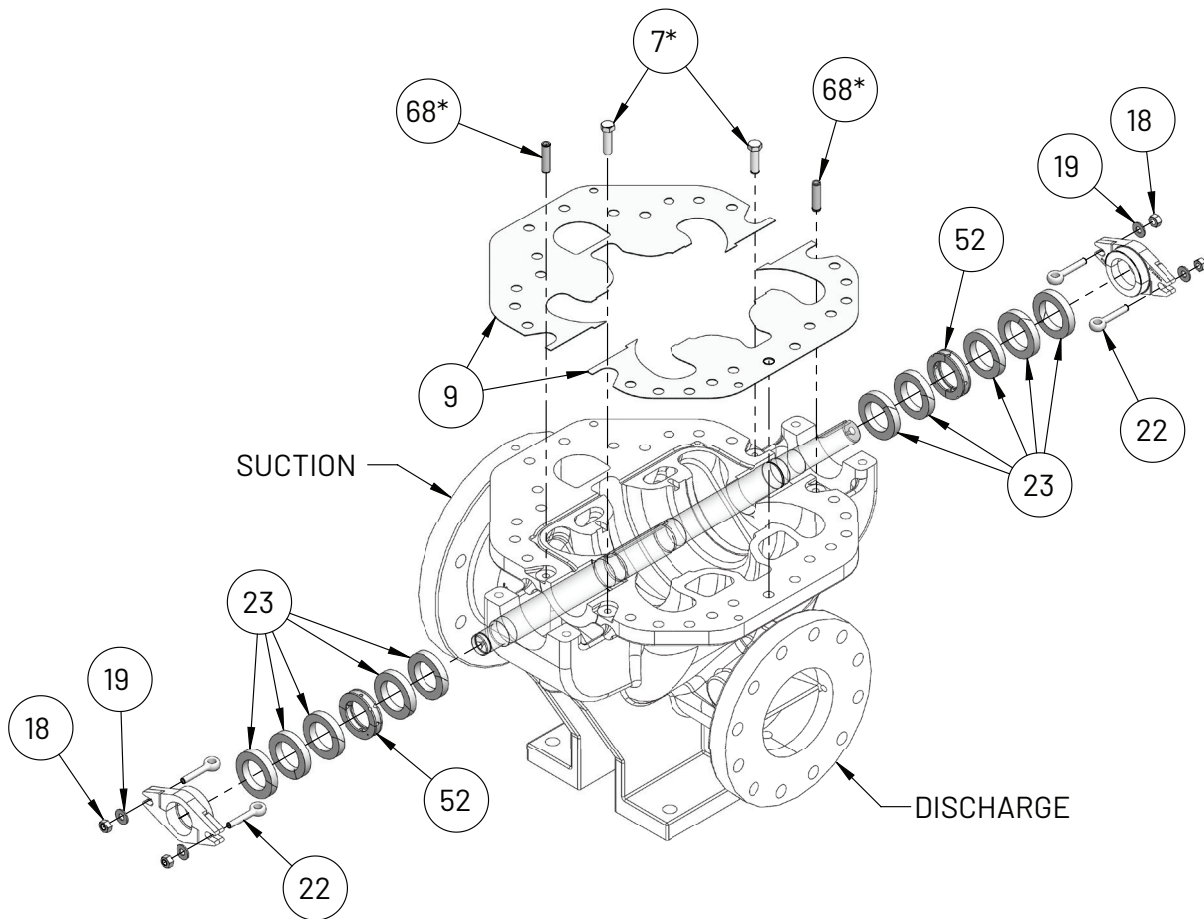
CODE	MATERIAL DESCRIPTION
507	Teflon Coated Steel
511	Nylon
512	25% Glass Filled Teflon
522	Glass Filled Teflon
548	Ceramic Coated 316SS
554	Bronze Ring Construction
598	Cellulose & Cork CN-705
603	Nitrile Butadiene
614	Victolex 258/N852 Accopac
621	Sealant (Liquid Gasket) - Loctite/STA-LOK
642	All Iron Construction
643	All Bronze Construction
644	Bronze Fitted Construction
645	Aluminum Construction
646	Stainless Steel Construction
647	Ball or Roller Bearings
651	Lube Fittings
652	Oilers
653	Grease or Oil Seals
656	Oil Breathers
660	Gland (Bronze/316 S/S)
661	Gland (Steel/Steel)
662	Gland (Bronze/Steel)
749	B30 P66 171 John Crane Seal
754	BP2C1 John Crane Seal
755	B30 P66 271 John Crane Seal
758	BP871 John Crane Seal
764	XP1C1 John Crane Seal
802	Non Asbestos Packing
999	Vendors Standard Material

**READY TO ORDER YOUR  
KIT?**

**SCAN THIS CODE TO  
LOCATE YOUR NEAREST  
AURORA AUTHORIZED  
DISTRIBUTOR**



# 410 SERIES PACKING REPAIR KIT



## PARTS INCLUDED IN PACKING REPAIR KIT

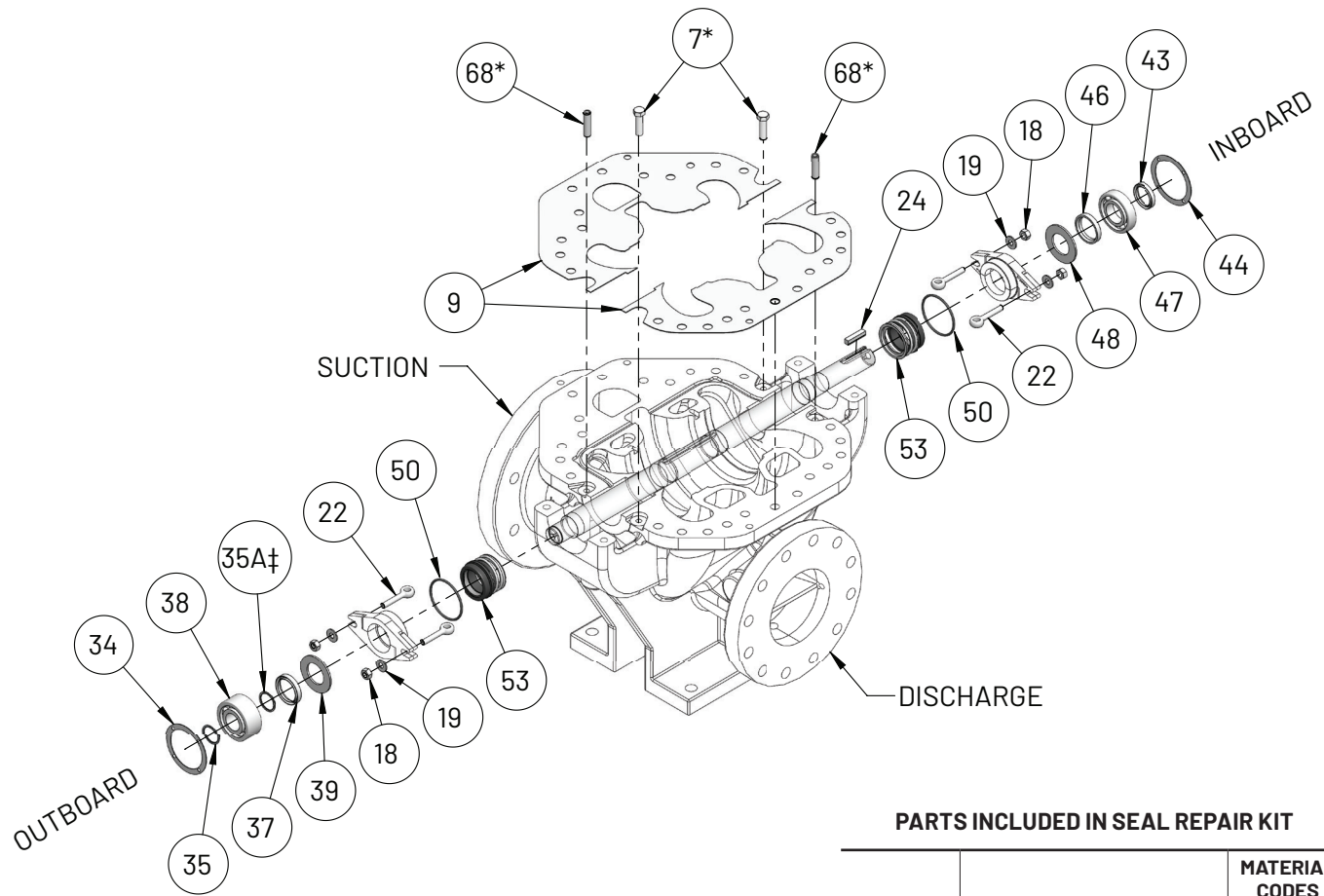
PART NO.	PART DESCRIPTION	MATERIAL CODES
		644 BF
7*	Cap Screw	104
9	Gasket	463
18	Nut	104
19	Washer	104
22	Swing Bolt	104
23	Packing	816
52	Lantern Ring	512
68*	Drive Pin	104

### NOTES

\*PART NO. 68 IS FOR POWER SERIES #1 & #2 ONLY. FOR OTHER POWER SERIES; REFER TO PART NO. 7.



# 410 SERIES SEAL REPAIR KIT



## PARTS INCLUDED IN SEAL REPAIR KIT

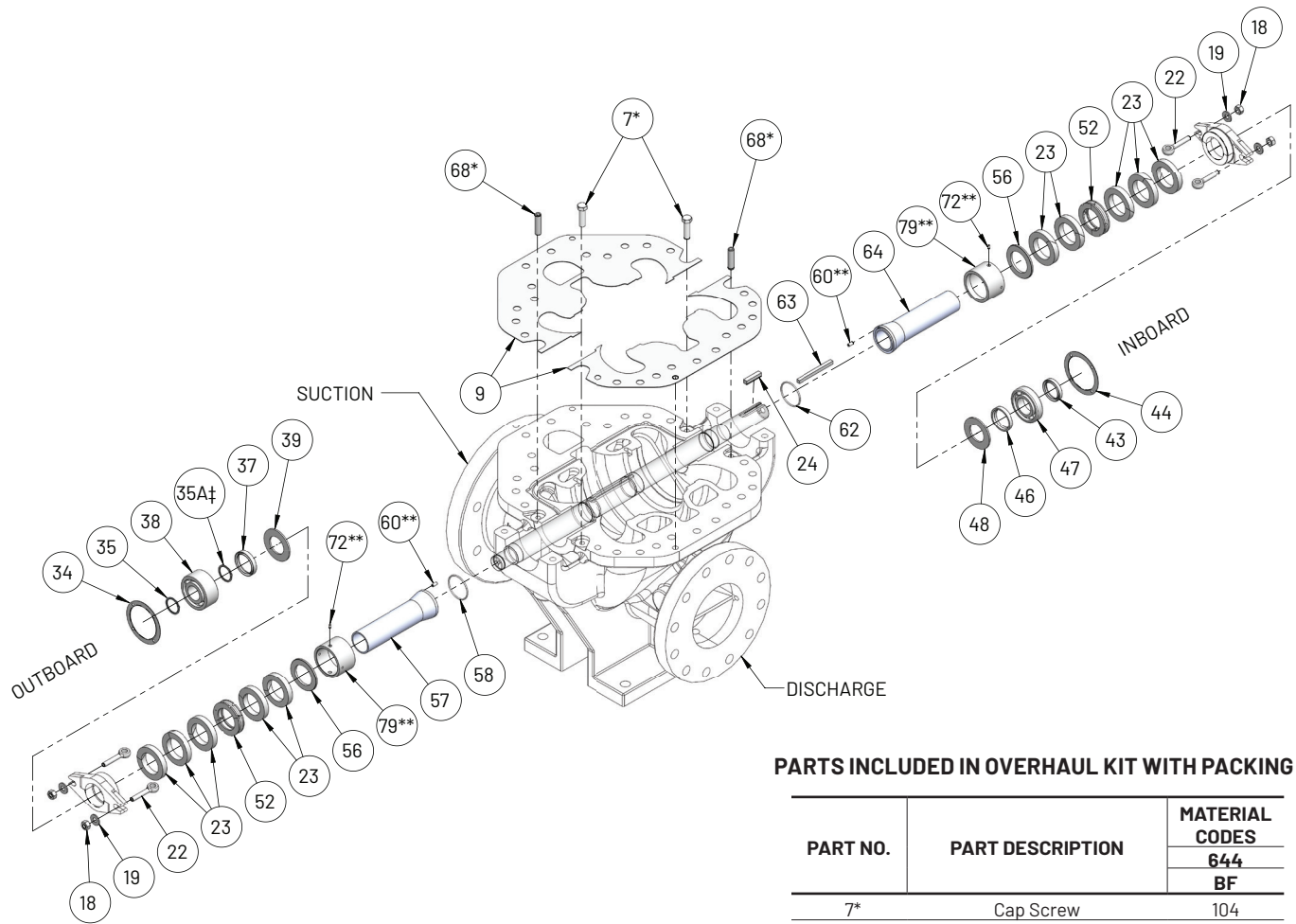
PART NO.	PART DESCRIPTION	MATERIAL CODES
		644 BF
7*	Cap Screw	104
9	Gasket	463
18	Nut	104
19	Washer	104
22	Swing Bolt	104
23	Packing	816
24	Coupling Key	087
34	Gasket	614
35	Retaining Ring	088
35A†	Retaining Ring	088
37	Grease Seal	653
38	Bearing	647
39	Slinger	478
43	Grease Seal	653
44	Gasket	614
46	Grease Seal	653
47	Bearing	647
48	Slinger	478
50	O-Ring	457
53	Mechanical Seal	749
52	Lantern Ring	512
56	Bushing	208
68*	Drive Pin	104

### NOTES

\*PART NO. 68 IS FOR POWER SERIES #1 & #2 ONLY. FOR OTHER POWER SERIES; REFER TO PART NO. 7.

†PART NO. 35A IS USED ON POWER SERIES 6B, 7 & 7A ONLY.

# 410 SERIES OVERHAUL KIT WITH PACKING



## PARTS INCLUDED IN OVERHAUL KIT WITH PACKING

PART NO.	PART DESCRIPTION	MATERIAL CODES
		644 BF
7*	Cap Screw	104
9	Gasket	463
18	Nut	104
19	Washer	104
22	Swing Bolt	104
23	Packing	816
24	Coupling Key	087
34	Gasket	614
35	Retaining Ring	088
35A‡	Retaining Ring	088
37	Grease Seal	653
38	Bearing	647
39	Slinger	478
43	Grease Seal	653
44	Gasket	614
46	Grease Seal	653
47	Bearing	647
48	Slinger	478
52	Lantern Ring	512
56	Bushing	208
57	Sleeve	208
58	O-Ring	457
60**	Sleeve Pin	104
62	O-Ring	457
63	Impeller Key	107
64	Sleeve	208
68*	Drive Pin	104
72**	Set Screw	113
79**	Sleeve Collar	208

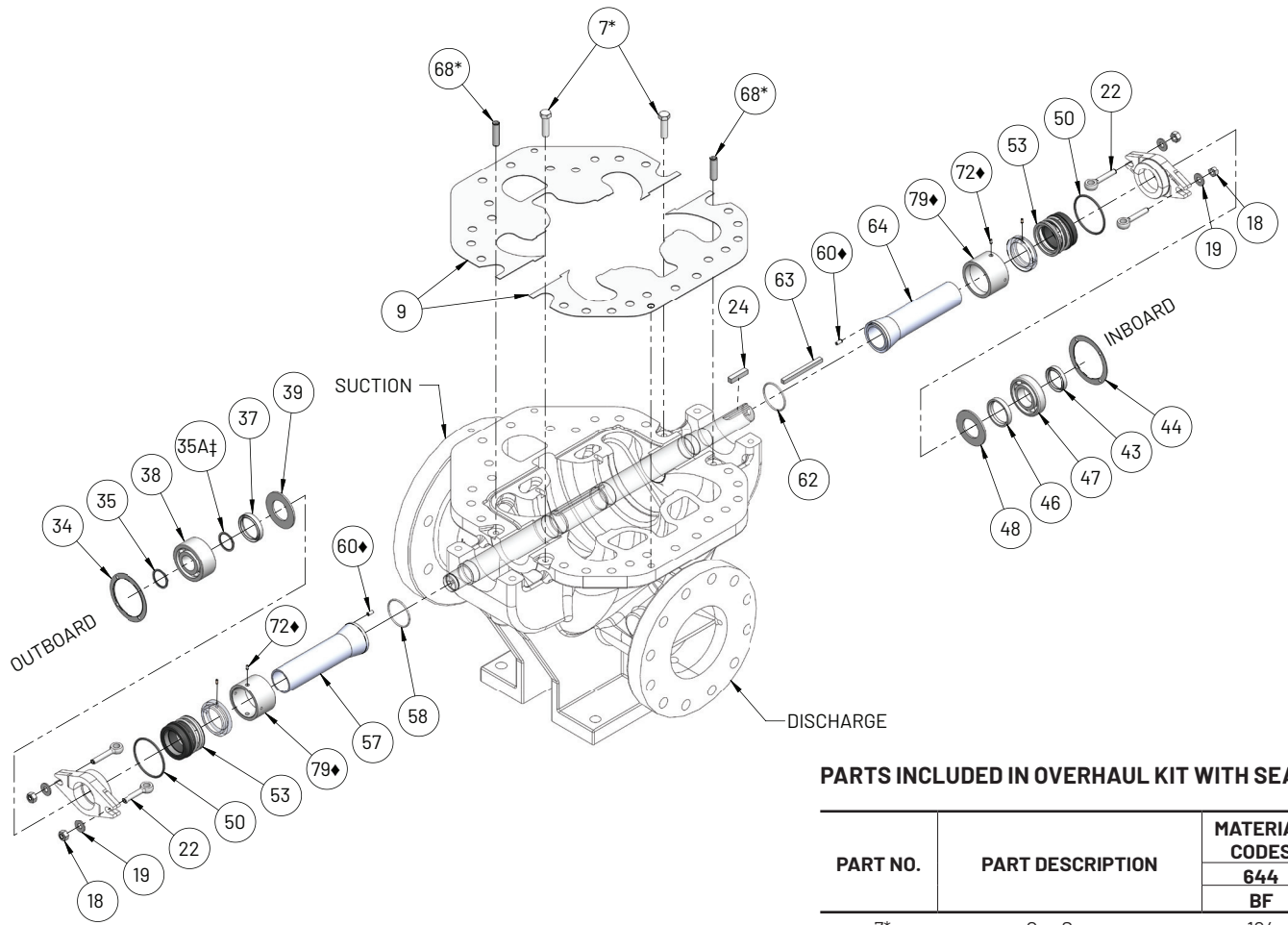
### NOTES

\*PART NO. 68 IS FOR POWER SERIES #1 & #2 ONLY. FOR OTHER POWER SERIES; REFER TO PART NO. 7.

‡PART NO. 35A IS USED ON POWER SERIES 6B, 7 & 7A ONLY.

\*\*PART NOS. 60, 72 & 79 ARE USED FOR 10X12X18D ONLY.

# 410 SERIES OVERHAUL KIT WITH SEAL



## PARTS INCLUDED IN OVERHAUL KIT WITH SEAL

PART NO.	PART DESCRIPTION	MATERIAL CODES
		644 BF
7*	Cap Screw	104
9	Gasket	463
18	Nut	104
19	Washer	104
22	Swing Bolt	104
23	Packing	816
24	Coupling Key	087
34	Gasket	614
35	Retaining Ring	088
35A‡	Retaining Ring	088
37	Grease Seal	653
38	Bearing	647
39	Slinger	478
43	Grease Seal	653
44	Gasket	614
46	Grease Seal	653
47	Bearing	647
48	Slinger	478
52	Lantern Ring	512
56	Bushing	208
57	Sleeve	208
58	O-Ring	457
60**	Sleeve Pin	104
62	O-Ring	457
63	Impeller Key	107
64	Sleeve	208
68*	Drive Pin	104
72**	Set Screw	113
79**	Sleeve Collar	208

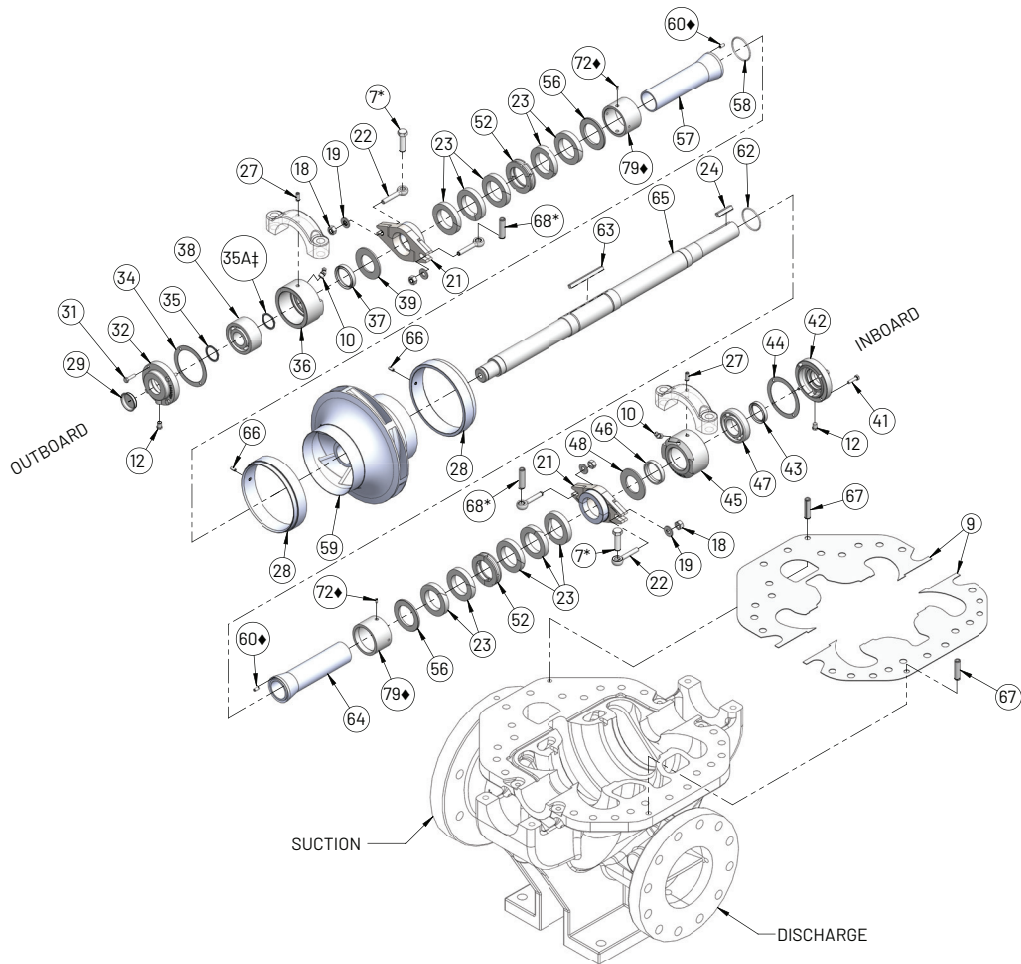
### NOTES

\*PART NO. 68 IS FOR POWER SERIES #1 & #2 ONLY. FOR OTHER POWER SERIES; REFER TO PART NO. 7.

‡PART NO. 35A IS USED ON POWER SERIES 6B, 7 & 7A ONLY.

\*\*PART NOS. 60, 72 & 79 ARE USED FOR 10X12X18D ONLY.

# 410 SERIES ROTATING ASSEMBLY WITH PACKING



## PARTS INCLUDED IN ROTATING ASSEMBLY WITH PACKING

NOTE: ROTATING ASSEMBLY ARRIVES PRE-ASSEMBLED FOR EASE OF INSTALLATION.

PART NO.	PART DESCRIPTION	MATERIAL CODES	PART NO.	PART DESCRIPTION	MATERIAL CODES
		644 BF			644 BF
7*	Cap Screw	104	43	Grease Seal	653
9	Gasket	463	44	Gasket	614
10	Grease Fitting	651	45	Catridge	010
12	Plug	087	46	Grease Seal	653
18	Nut	104	47	Bearing	647
19	Washer	104	48	Slinger	478
22	Swing Bolt	104	52	Lantern Ring	512
23	Packing	816	56	Bushing	208
24	Coupling Key	087	57	Sleeve	208
27	Pin	360	58	O-Ring	457
28	Case Ring	208	60**	Sleeve Pin	104
29	Protector	087	62	O-Ring	457
31	Cap Screw	082	63	Impeller Key	107
32	Catridge Cap	010	64	Sleeve	208
34	Gasket	614	65	Shaft	063
35	Retaining Ring	088	66	Pin	360
35A‡	Retaining Ring	088	67	Pin	360
37	Grease Seal	653	68*	Drive Pin	104
38	Bearing	647	72**	Set Screw	113
39	Slinger	478	79**	Sleeve Collar	208

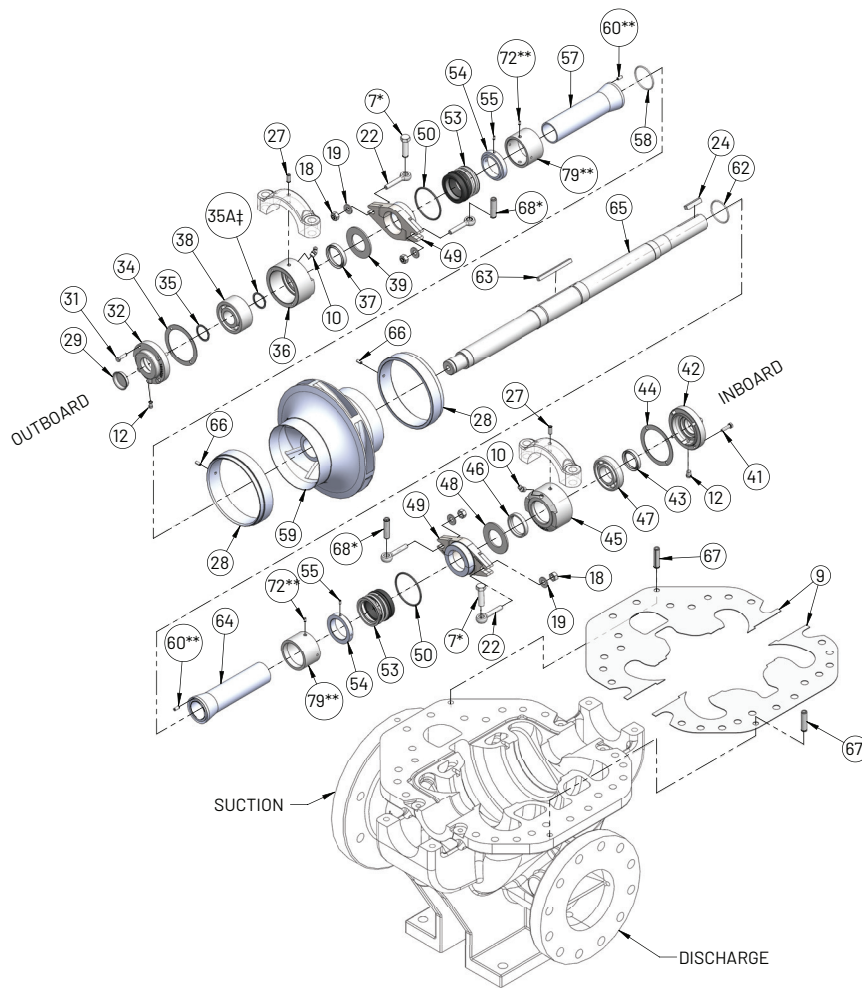
### NOTES

\*PART NO. 68 IS FOR POWER SERIES #1 & #2 ONLY. FOR OTHER POWER SERIES; REFER TO PART NO. 7.

‡PART NO. 35A IS USED ON POWER SERIES 6B, 7 & 7A ONLY.

\*\*PART NOS. 60, 72 & 79 ARE USED FOR 10X12X18D ONLY.

# 410 SERIES ROTATING ASSEMBLY WITH SEAL



## PARTS INCLUDED IN ROTATING ASSEMBLY WITH SEAL

NOTE: ROTATING ASSEMBLY ARRIVES PRE-ASSEMBLED FOR EASE OF INSTALLATION.

PART NO.	PART DESCRIPTION	MATERIAL CODES	PART NO.	PART DESCRIPTION	MATERIAL CODES
		644			644
		BF			BF
7*	Cap Screw	104	43	Grease Seal	653
9	Gasket	463	44	Gasket	614
10	Grease Fitting	651	45	Cartridge	010
12	Plug	087	46	Grease Seal	653
18	Nut	104	47	Bearing	647
19	Washer	104	48	Slinger	478
22	Swing Bolt	104	52	Lantern Ring	512
23	Packing	816	56	Bushing	208
24	Coupling Key	087	57	Sleeve	208
27	Pin	360	58	O-Ring	457
28	Case Ring	208	60**	Sleeve Pin	104
29	Protector	087	62	O-Ring	457
31	Cap Screw	082	63	Impeller Key	107
32	Cartridge Cap	010	64	Sleeve	208
34	Gasket	614	65	Shaft	063
35	Retaining Ring	088	66	Pin	360
35A†	Retaining Ring	088	67	Pin	360
37	Grease Seal	653	68*	Drive Pin	104
38	Bearing	647	72**	Set Screw	113
39	Slinger	478	79**	Sleeve Collar	208

### NOTES

\*PART NO. 68 IS FOR POWER SERIES #1 & #2 ONLY. FOR OTHER POWER SERIES; REFER TO PART NO. 7.

†PART NO. 35A IS USED ON POWER SERIES 6B, 7 & 7A ONLY.

\*\*PART NOS. 60, 72 & 79 ARE USED FOR 10X12X18D ONLY.

# 410 SERIES KIT SELECTION TABLE

PUMP SIZE	POWER SERIES	PACKING KIT	SEAL KIT	OVERHAUL KIT WITH PACKING	OVERHAUL KIT WITH SEALS	ROTATING ASSEMBLY W/ PACKING (BRZ SLEEVES)	ROTATING ASSEMBLY W/ PACKING (HARDENED 440C SS SLEEVES)	ROTATING ASSY W/ SEALS (BRZ SLEEVES)	ROTATING ASSY W/ SEALS (316 SS SLEEVES)					
2 x 2.5 x 9	1	476-0629-644	476-0636-644	476-0370-644	476-0382-644	700-0001-644	700-0301-644	700-0043-644	700-0343-644					
2 x 2.5 x 10						700-0002-644	700-0302-644	700-0044-644	700-0344-644					
2 x 2.5 x 12						700-0003-644	700-0303-644	700-0045-644	700-0345-644					
2.5 x 3 x 10B	2	476-0630-644	476-0637-644	476-0371-644	476-0383-644	700-0008-644	700-0384-644	700-0085-644	700-0385-644					
2.5 x 3 x 12						700-0005-644	700-0305-644	700-0047-644	700-0347-644					
3 x 4 x 10B						700-0006-644	700-0306-644	700-0048-644	700-0348-644					
3 x 4 x 10C						700-0544-644	700-0661-644	700-0546-644	700-0662-644					
3 x 4 x 14						700-0007-644	700-0307-644	700-0049-644	700-0349-644					
4 x 5 x 10B						700-0008-644	700-0308-644	700-0050-644	700-0350-644					
4 x 5 x 11A	3	476-0631-644	476-0638-644	476-0372-644	476-0384-644	700-0009-644	700-0309-644	700-0051-644	700-0351-644					
4 x 5 x 11C						700-0023-644	700-0323-644	700-0053-644	700-0353-644					
4 x 5 x 11D						700-0742-644	NA	700-0744-644	NA					
4 x 5 x 15						700-0012-644	700-0312-644	700-0055-644	700-0355-644					
4 x 6 x 18B	4	476-0632-644	476-0639-644	476-0373-644	476-0385-644	700-0024-644	700-0324-644	700-0056-644	700-0356-644					
5 x 6 x 11A						700-0013-644	700-0313-644	700-0057-644	700-0357-644					
5 x 6 x 11C (3500)						700-0484-644	700-0405-644	700-0489-644	700-0373-644					
5 x 6 x 11C (1750)						700-0485-644	700-0406-644	700-0490-644	700-0374-644					
5 x 6 x 15						700-0014-644	700-0314-644	700-0058-644	700-0358-644					
5 x 6 x 17						700-0015-644	700-0315-644	700-0059-644	700-0359-644					
6 x 8 x 11						700-0025-644	700-0325-644	700-0060-644	700-0360-644					
8 x 8 x 11B						700-0017-644	700-0317-644	700-0062-644	700-0362-644					
6 x 8 x 11HH						4A	476-0912-644	476-1009-644	476-0917-644	476-1011-644	700-0745-644	700-1004-644	700-0746-644	700-1005-644
6 x 8 x 15						5	476-0633-644	476-0640-644	476-0374-644	476-0386-644	700-0018-644	700-0318-644	700-0063-644	700-0363-644
6 x 8 x 18A	700-0026-644	700-0326-644	700-0064-644	700-0364-644										
6 x 8 x 18B	700-0486-644	700-0407-644	700-0491-644	700-0375-644										
6 x 8 x 18C	700-0487-644	700-0408-644	700-0492-644	700-0376-644										
6 x 8 x 20	700-0019-644	700-0319-644	700-0065-644	700-0365-644										
8 x 10 x 12	700-0027-644	700-0327-644	700-0066-644	700-0366-644										
8 x 10 x 12A	700-0536-644	700-0663-644	700-0538-644	700-0664-644										
8 x 10 x 15A	700-0020-644	700-0320-644	700-0067-644	700-0367-644										
8 x 10 x 15B	700-0104-644	700-0404-644	700-0103-644	700-0403-644										
8 x 10 x 17B	700-0021-644	700-0321-644	700-0068-644	700-0368-644										
6 x 8 x 14HH	5A	476-0913-644	476-1013-644	476-0918-644	476-1015-644	700-0743-644	700-1006-644	700-1007-644	700-1008-644					
8 x 10 x 21	6B	476-0634-644	476-0641-644	476-0375-644	476-0387-644	700-0658-644	700-0409-644	700-0655-644	700-0377-644					
8 x 10 x 21A						700-0678-644	700-0668-644	700-0679-644	700-0669-644					
10 x 12 x 12B						700-0087-644	700-0387-644	700-0092-644	700-0392-644					
10 x 12 x 15B						700-0088-644	700-0388-644	700-0093-644	700-0393-644					
10 x 12 x 15C						700-0488-644	700-0410-644	700-0493-644	700-0378-644					
10 x 12 x 18						700-0089-644	700-0389-644	700-0094-644	700-0394-644					
8x12x24	7	476-0635-644	476-0642-644	476-0376-644	476-0388-644	700-0831-644	700-1001-644	700-1002-644	700-1003-644					
12 x 14 x 15B						700-0090-644	700-0390-644	700-0095-644	700-0395-644					
12 x 14 x 18A						700-0540-644	700-0665-644	700-0542-644	700-0667-644					
14 x 16 x 18						700-0091-644	700-0391-644	700-0097-644	700-0397-644					
10x12x18D	7A	476-0914-644	476-1017-644	476-0919-644	476-1019-644	700-0693-644	700-1009-644	700-1010-644	700-1011-644					

**NOTES**

1. THE ROTATING ASSEMBLY LISTED ABOVE ARE IN BRONZE FITTED CONSTRUCTION (644). IF NO PRICE IS LISTED IN THE MASTER PARTS PRICE LIST, REFER TO FACTORY.
2. FOR CHLORINATED WATER, ELEMENTS MAY BE AVAILABLE WITH 208 OR 243 BRONZE IMPELLERS. REFER TO FACTORY.

# 410 SERIES NSF KIT SELECTION TABLE

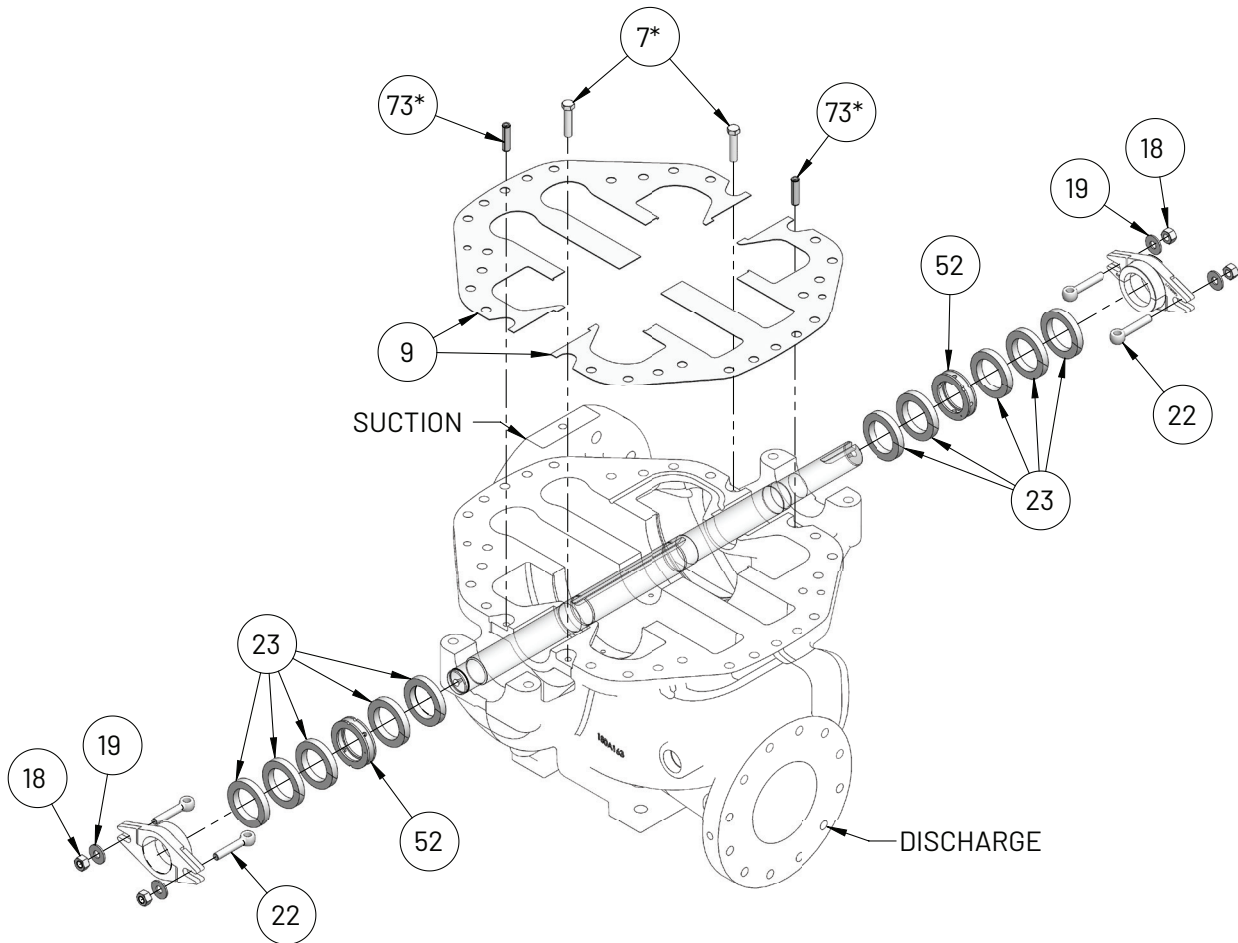
PUMP SIZE	POWER SERIES	OVERHAUL KIT	ROTATING ASSEMBLY		
2 x 2.5 x 9	1	476-0382-626	700-0043-626		
2 x 2.5 x 10			700-0044-626		
2 x 2.5 x 12			700-0045-626		
2.5 x 3 x 10B	2	476-0383-626	700-0085-626		
2.5 x 3 x 12			700-0047-626		
3 x 4 x 10B			700-0048-626		
3 x 4 x 10C			700-0546-626		
3 x 4 x 14			700-0049-626		
4 x 5 x 10B			700-0050-626		
4 x 5 x 11A			700-0051-626		
4 x 5 x 11C	3	476-0384-626	700-0053-626		
4 x 5 x 11D			700-0744-626		
4 x 5 x 15			700-0055-626		
4 x 6 x 18B	4	476-0385-626	700-0056-626		
5 x 6 x 11A			700-0057-626		
5 x 6 x 11C (3500)			700-0489-626		
5 x 6 x 11C (1750)			700-0490-626		
5 x 6 x 15			700-0058-626		
5 x 6 x 17			700-0059-626		
6 x 8 x 11			700-0060-626		
8 x 8 x 11B			700-0062-626		
6 x 8 x 11HH			4A	476-1011-626	700-0746-626
6 x 8 x 15			5	476-0386-626	700-0063-626
6 x 8 x 18A	700-0064-626				
6 x 8 x 18B	700-0491-626				
6 x 8 x 18C	700-0492-626				
6 x 8 x 20	700-0065-626				
8 x 10 x 12	700-0066-626				
8 x 10 x 12A	700-0538-626				
8 x 10 x 15A	700-0067-626				
8 x 10 x 15B	700-0103-626				
8 x 10 x 17B	700-0068-626				
6 x 8 x 14HH	5A	476-1015-626			700-1007-626
8 x 10 x 21	6B	476-0387-626	700-0655-626		
8 x 10 x 21A			700-0679-626		
10 x 12 x 12B			700-0092-626		
10 x 12 x 15B			700-0093-626		
10 x 12 x 15C			700-0493-626		
10 x 12 x 18	7	476-0388-626	700-0094-626		
8x12x24			700-1002-626		
12 x 14 x 15B			700-0095-626		
12 x 14 x 18A			700-0542-626		
14 x 16 x 18			700-0097-626		
10x12x18D	7A	476-1019-626	700-1010-626		

## NOTES

1. THE ROTATING ASSEMBLY LISTED ABOVE ARE IN BRONZE FITTED CONSTRUCTION (644). IF NO PRICE IS LISTED IN THE MASTER PARTS PRICE LIST, REFER TO FACTORY.
2. FOR CHLORINATED WATER, ELEMENTS MAY BE AVAILABLE WITH 208 OR 243 BRONZE IMPELLERS. REFER TO FACTORY.



# 420 SERIES PACKING REPAIR KIT



## PARTS INCLUDED IN PACKING REPAIR KIT

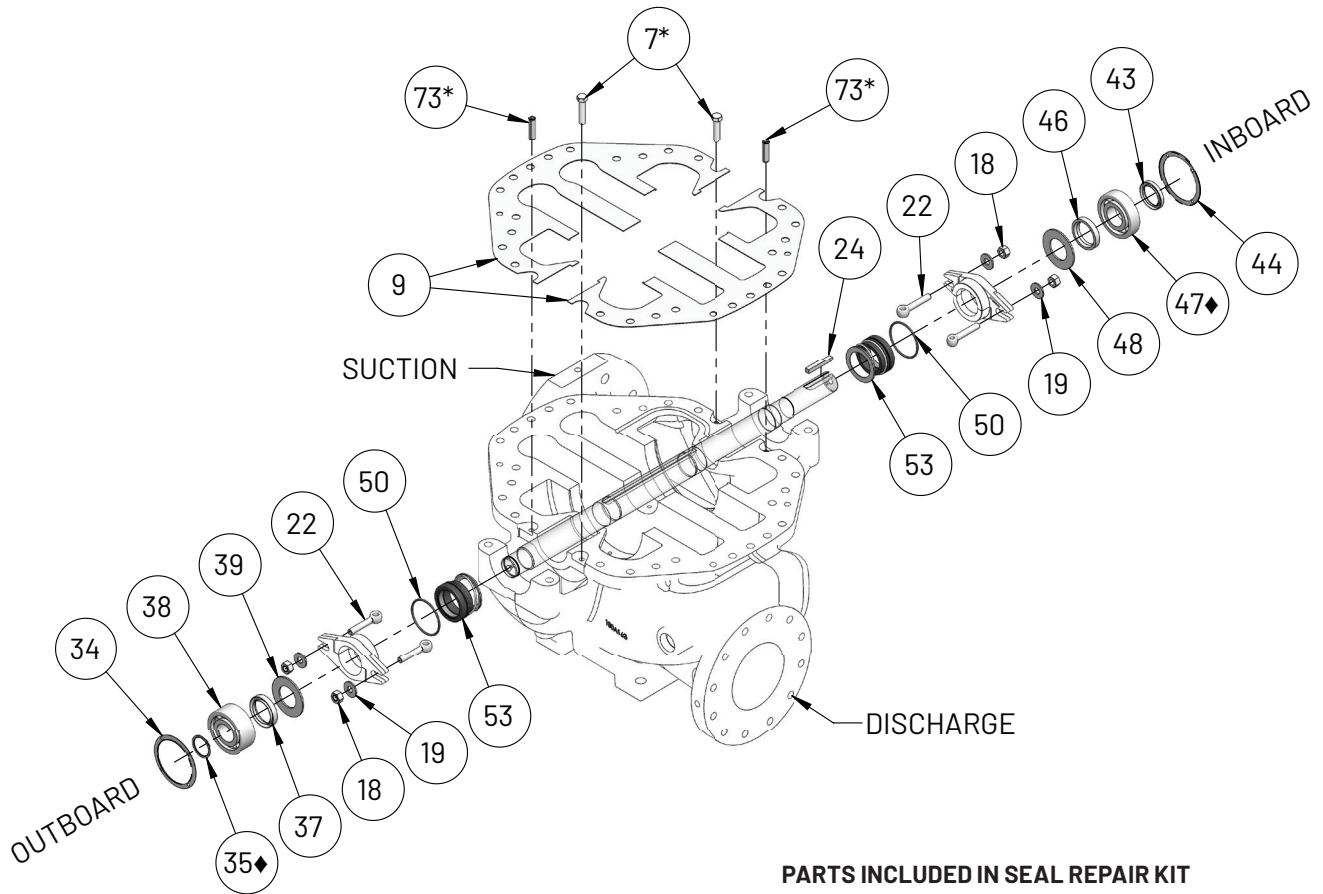
PART NO.	PART DESCRIPTION	MATERIAL CODES
		BF
7*	Cap Screw	104
9	Gasket	463
18	Nut	104
19	Washer	104
22	Swing Bolt	104
23	Packing	816
52	Lantern Ring	512
73*	Drive Pin	104

### NOTES

\*PART NO. 73 IS FOR POWER SERIES #2 ONLY. FOR OTHER POWER SERIES; REFER TO PART NO. 7.



# 420 SERIES SEAL REPAIR KIT



## PARTS INCLUDED IN SEAL REPAIR KIT

PART NO.	PART DESCRIPTION	MATERIAL CODES
		BF
7*	Cap Screw	104
9	Gasket	463
18	Nut	104
19	Washer	104
22	Swing Bolt	104
24	Coupling Key	087
34	Gasket	614
35**	Retaining Ring	088
37	Grease Seal	653
38	Bearing	647
39	Slinger	478
43	Grease Seal	653
44	Gasket	614
46	Grease Seal	653
47	Bearing	647
48	Slinger	478
50	O-Ring	457
53	Mechanical Seal	749
73**	Drive Pin	104

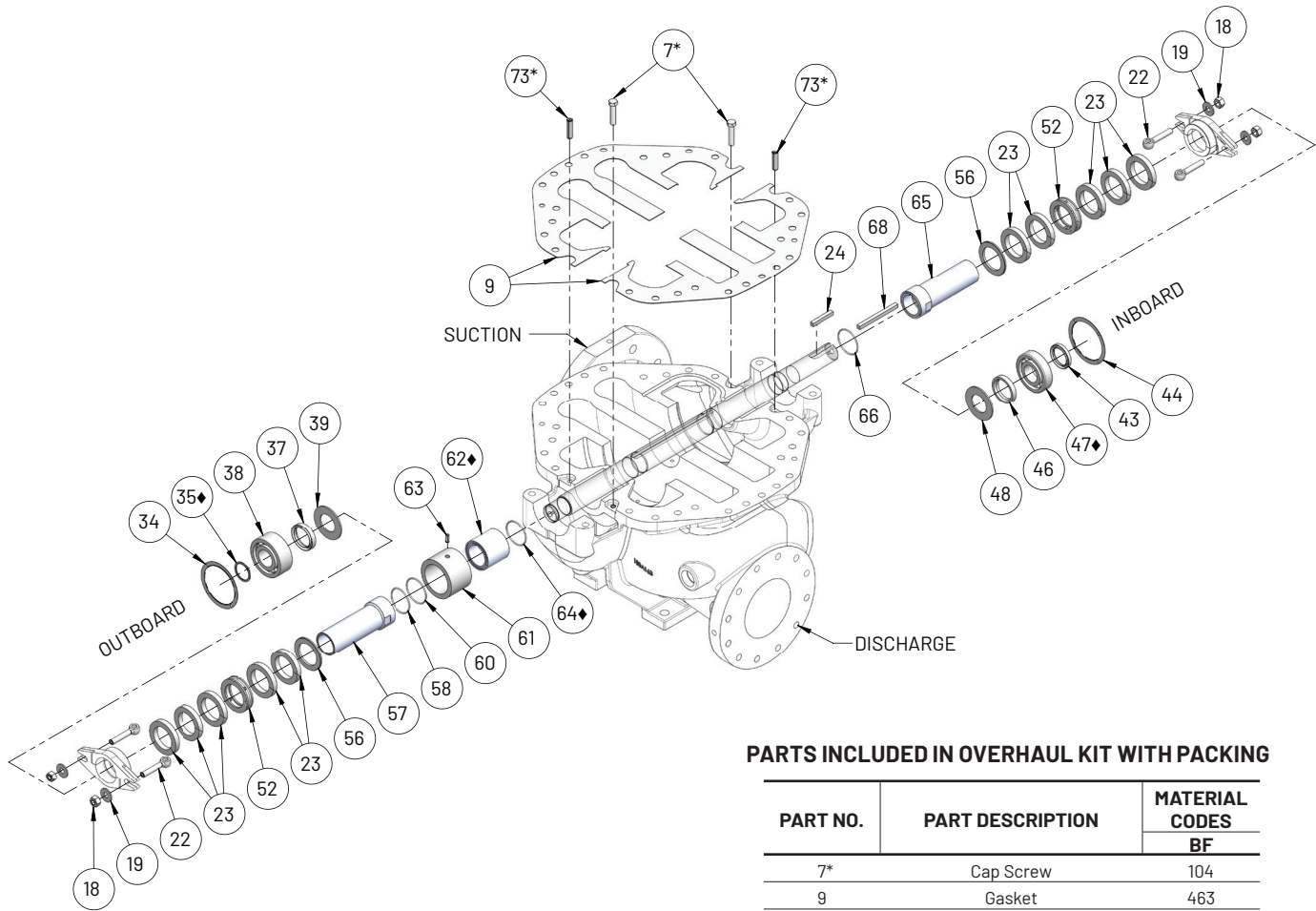
### NOTES

\*PART NO. 73 IS FOR POWER SERIES #2 ONLY. FOR OTHER POWER SERIES; REFER TO PART NO. 7.

\*\*FOR POWER SERIES 4A & 5A

- PART NO. 35 WILL BE REPLACED BY LOCKNUT & LOCK WASHER, QTY 1 NO. EACH
- QTY OF PART NO. 47 WOULD BE 2 NOS. (ONE ON EACH END).

# 420 SERIES OVERHAUL KIT WITH PACKING



## PARTS INCLUDED IN OVERHAUL KIT WITH PACKING

PART NO.	PART DESCRIPTION	MATERIAL CODES
		BF
7*	Cap Screw	104
9	Gasket	463
18	Nut	104
19	Washer	104
22	Swing Bolt	104
23	Packing	816
24	Coupling Key	087
34	Gasket	614
35**	Retaining Ring	088
37	Grease Seal	653
38	Bearing	647
39	Slinger	478
43	Grease Seal	653
44	Gasket	614
46	Grease Seal	653
47**	Bearing	647
48	Slinger	478
52	Lantern Ring	512
56	Bushing	208
57	Sleeve	208
58	O-Ring	457
60	O-Ring	457
61	Bushing	226
62**	Sleeve	208
63	Drive Pin	360
64**	O-Ring	457
65	Sleeve	208
66	O-Ring	457
68	Drive Pin	104
73*	Drive Pin	104

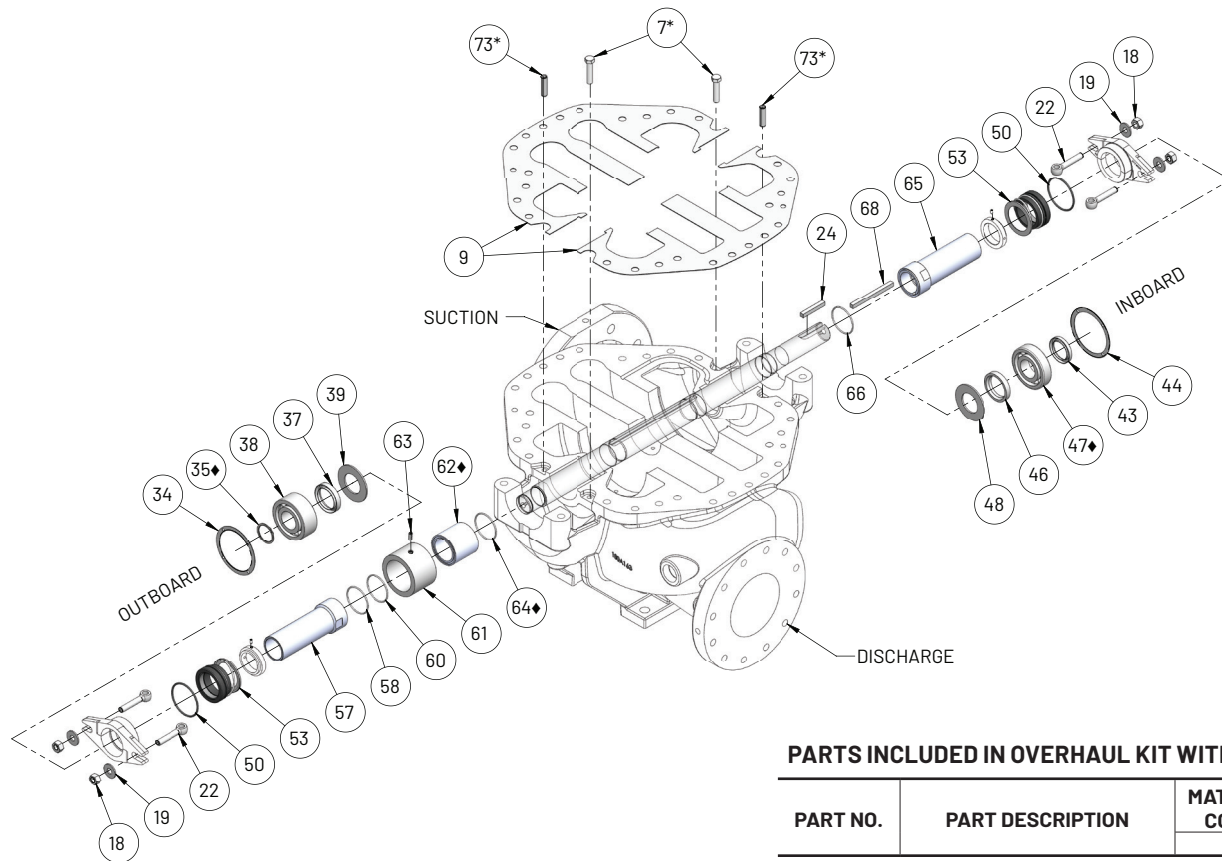
### NOTES

\*PART NO. 73 IS FOR POWER SERIES #2 ONLY. FOR OTHER POWER SERIES; REFER TO PART NO. 7.

\*\*FOR POWER SERIES 4A & 5A

- PART NO. 35 WILL BE REPLACED BY LOCKNUT & LOCK WASHER, QTY 1 NO. EACH.
- QTY OF PART NO. 47 WOULD BE 2 NOS. (ONE ON EACH END).
- PART NO. 62 AND 64 ARE NOT APPLICABLE.

# 420 SERIES OVERHAUL KIT WITH SEAL



## PARTS INCLUDED IN OVERHAUL KIT WITH SEAL

PART NO.	PART DESCRIPTION	MATERIAL CODES
		BF
7*	Cap Screw	104
9	Gasket	463
18	Nut	104
19	Washer	104
22	Swing Bolt	104
23	Packing	816
24	Coupling Key	087
34	Gasket	614
35**	Retaining Ring	088
37	Grease Seal	653
38	Bearing	647
39	Slinger	478
43	Grease Seal	653
44	Gasket	614
46	Grease Seal	653
47**	Bearing	647
48	Slinger	478
52	Lantern Ring	512
56	Bushing	208
57	Sleeve	208
58	O-Ring	457
60	O-Ring	457
61	Bushing	226
62**	Sleeve	208
63	Drive Pin	360
64**	O-Ring	457
65	Sleeve	208
66	O-Ring	457
68	Drive Pin	104
73*	Drive Pin	104

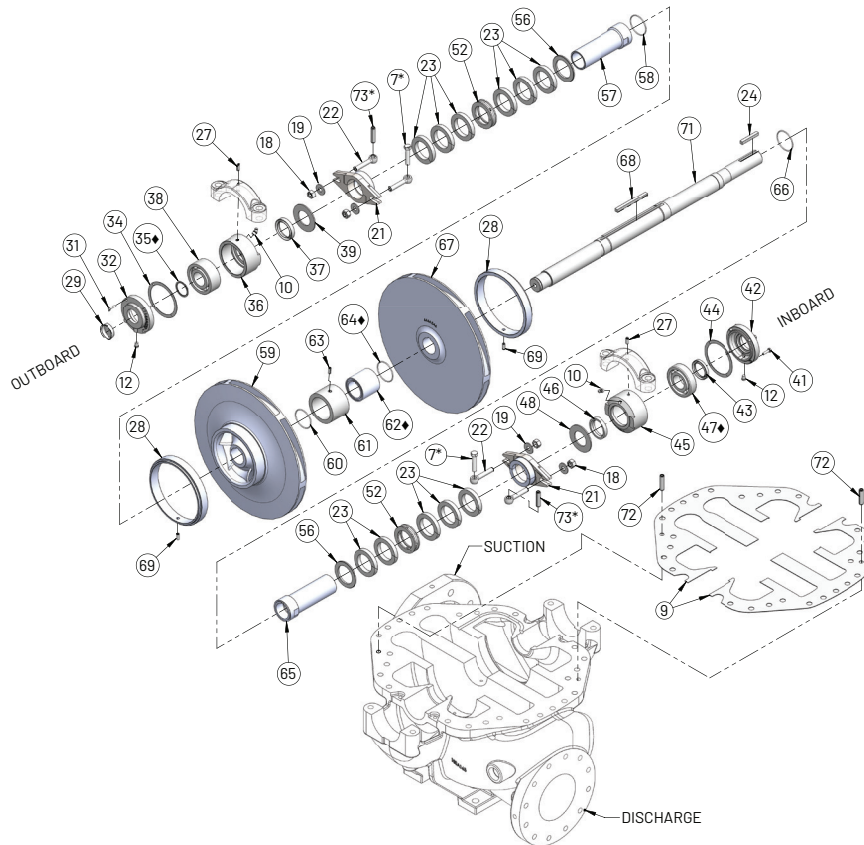
### NOTES

\*PART NO. 73 IS FOR POWER SERIES #2 ONLY. FOR OTHER POWER SERIES; REFER PART NO. 7.

\*\*FOR POWER SERIES 4A & 5A

- PART NO. 35 WILL BE REPLACED BY LOCKNUT & LOCK WASHER, QTY 1 NO. EACH.
- QTY OF PC#47 WOULD BE 2 NOS. (ONE ON EACH END).
- PART NO. 62 AND 64 ARE NOT APPLICABLE.

# 420 SERIES ROTATING ASSEMBLY WITH PACKING



## PARTS INCLUDED IN ROTATING ASSEMBLY WITH PACKING

NOTE: ROTATING ASSEMBLY ARRIVES PRE-ASSEMBLED FOR EASE OF INSTALLATION.

PART NO.	PART DESCRIPTION	MATERIAL CODES	PART NO.	PART DESCRIPTION	MATERIAL CODES
		BF			BF
7*	Cap Screw	104	45	Catridge	010
9	Gasket	463	46	Grease Seal	653
10	Grease Fitting	651	47**	Bearing	647
12	Plug	087	48	Slinger	478
18	Nut	104	52	Lantern Ring	512
19	Washer	104	56	Bushing	208
21	Gland	010	57	Sleeve	208
22	Swing Bolt	104	58	O-Ring	457
23	Packing	816	59	Impeller	225
24	Coupling Key	087	60	O-Ring	457
27	Pin	360	61	Bushing	226
28	Case Ring	208	62**	Sleeve	208
29	Protector	087	63	Drive Pin	360
31	Cap Screw	082	64**	O-Ring	457
32	Catridge Cap	010	65	Sleeve	208
34	Gasket	614	66	O-Ring	457
35**	Retaining Ring	088	67	Impeller	225
36	Cartridge	010	68	Impeller Key	107
37	Grease Seal	653	69	Pin	360
38	Bearing	647	71	Shaft	063
39	Slinger	478	72	Pin	360
43	Grease Seal	653	73*	Drive Pin	104
44	Gasket	614			

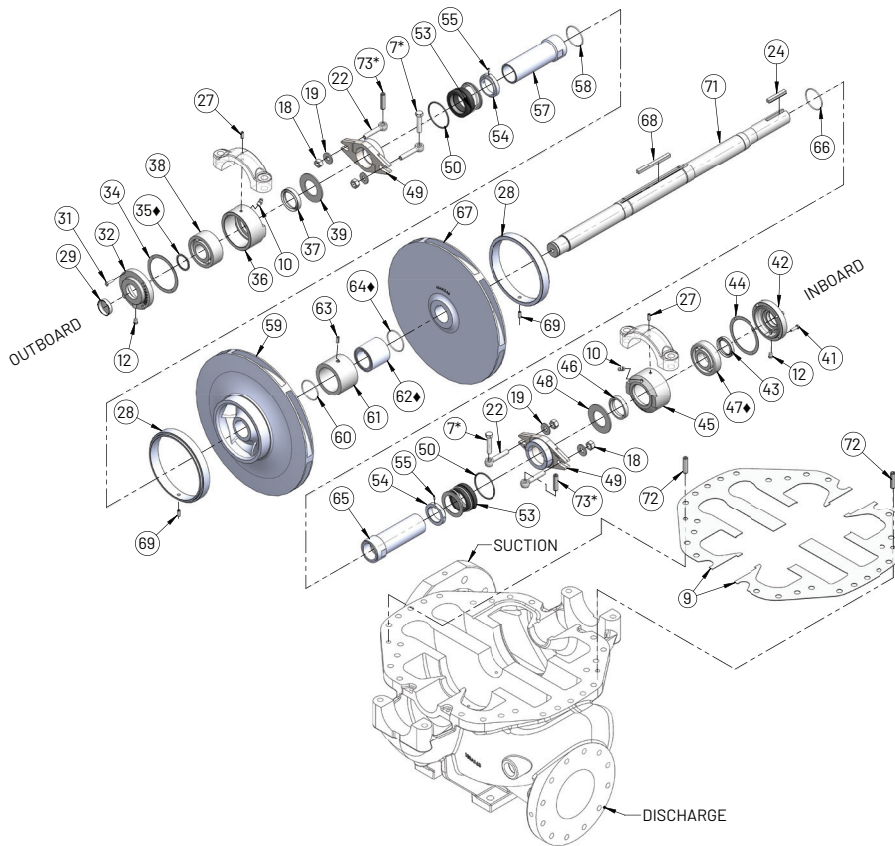
### NOTES

\*PART NO. 73 IS FOR POWER SERIES #2 ONLY. FOR OTHER POWER SERIES; REFER TO PART NO. 7.

\*\*FOR POWER SERIES 4A & 5A

- PART NO. 35 WILL BE REPLACED BY LOCKNUT & LOCK WASHER, QTY 1 NO. EACH.
- QTY OF PART NO. 47 WOULD BE 2 NOS. (ONE ON EACH END).
- PART NO. 62 AND 64 ARE NOT APPLICABLE.

# 420 SERIES ROTATING ASSEMBLY WITH SEAL



## PARTS INCLUDED IN ROTATING ASSEMBLY WITH SEAL

NOTE: ROTATING ASSEMBLY ARRIVES PRE-ASSEMBLED FOR EASE OF INSTALLATION.

PART NO.	PART DESCRIPTION	MATERIAL CODES	PART NO.	PART DESCRIPTION	MATERIAL CODES
		BF			BF
7*	Cap Screw	104	46	Grease Seal	653
9	Gasket	463	47**	Bearing	647
10	Grease Fitting	651	48	Slinger	478
12	Plug	087	49	Gland	010
18	Nut	104	50	O-Ring	457
19	Washer	104	53	Seal	753
22	Swing Bolt	104	54	Collar	208
24	Coupling Key	087	55	Setscrew	104
27	Pin	360	57	Sleeve	208
28	Case Ring	208	58	O-Ring	457
29	Protector	087	59	Impeller	225
31	Cap Screw	082	60	O-Ring	457
32	Cartridge Cap	010	61	Bushing	226
34	Gasket	614	62**	Sleeve	208
35**	Retaining Ring	088	63	Drive Pin	360
36	Cartridge	010	64**	O-Ring	457
37	Grease Seal	653	65	Sleeve	208
38	Bearing	647	66	O-Ring	457
39	Slinger	478	67	Impeller	225
41	Cap Screw	082	68	Impeller Key	107
42	Cartridge Cap	010	69	Pin	360
43	Grease Seal	653	71	Shaft	063
44	Gasket	614	72	Pin	360
45	Cartridge	010	73*	Drive Pin	104

### NOTES

\*PART NO. 73 IS FOR POWER SERIES #2 ONLY. FOR OTHER POWER SERIES; REFER TO PART NO. 7.

\*\*FOR POWER SERIES 4A & 5A

- PART NO. 35 WILL BE REPLACED BY LOCKNUT & LOCK WASHER, QTY 1 NO. EACH.
- QTY OF PART NO. 47 WOULD BE 2 NOS. (ONE ON EACH END).
- PART NO. 62 AND 64 ARE NOT APPLICABLE.

## 420 SERIES KIT SELECTION TABLE

PUMP SIZE	POWER SERIES	PACKING KIT	SEAL KIT	OVERHAUL KIT WITH PACKING	OVERHAUL KIT WITH SEALS	ROTATING ASSY W/ PACKING (BRZ SLEEVES)	ROTATING ASSY W/ PACKING (HARDENED 440C SS SLEEVES)	ROTATING ASSY W/ SEALS (BRZ SLEEVES)	ROTATING ASSY W/ SEALS (316 SS SLEEVES)
2 x 2.5 x 12A*	2	476-0643-644	476-0647-644	476-0377-644	476-0389-644	700-0032-644	700-0432-644	700-0073-644	700-0473-644
2 x 2.5 x 12A**						700-0444-644	700-0446-644	700-0447-644	700-0449-644
2 x 2.5 x 12B						700-0033-644	700-0433-644	700-0074-644	700-0474-644
2.5 x 3 x 12A*						700-0034-644	700-0434-644	700-0075-644	700-0475-644
2.5 x 3 x 12A**						700-0450-644	700-0452-644	700-0453-644	700-0455-644
3 x 4 x 14A	3	476-0644-644	476-0648-644	476-0378-644	476-0390-644	700-0035-644	700-0435-644	700-0076-644	700-0476-644
3 x 4 x 14B						700-0036-644	700-0436-644	700-0077-644	700-0477-644
4 x 5 x 15						700-0037-644	700-0437-644	700-0078-644	700-0478-644
5 x 6 x 15	4	476-0645-644	476-0649-644	476-0379-644	476-0391-644	700-0038-644	700-0438-644	700-0079-644	700-0479-644
5 x 5 x 12	4A	476-1090-644	476-1795-644	476-1092-644	476-1796-644	700-1014-644	700-1015-644	700-1016-644	700-1017-644
6 x 8 x 16	5	476-0646-644	476-0650-644	476-0380-644	476-0392-644	700-0825-644	700-0848-644	700-0847-644	700-0849-644
6 x 8 x 16B						700-0845-644	700-1022-644	700-1023-644	700-1024-644
6 x 8 x 17A						700-0039-644	700-0439-644	700-0080-644	700-0480-644
6 x 8 x 17B						700-0040-644	700-0440-644	700-0081-644	700-0481-644
6 x 6 x 12	5A	476-1091-644	476-1797-644	476-1093-644	476-1045-644	700-1018-644	700-1019-644	700-1020-644	700-1021-644

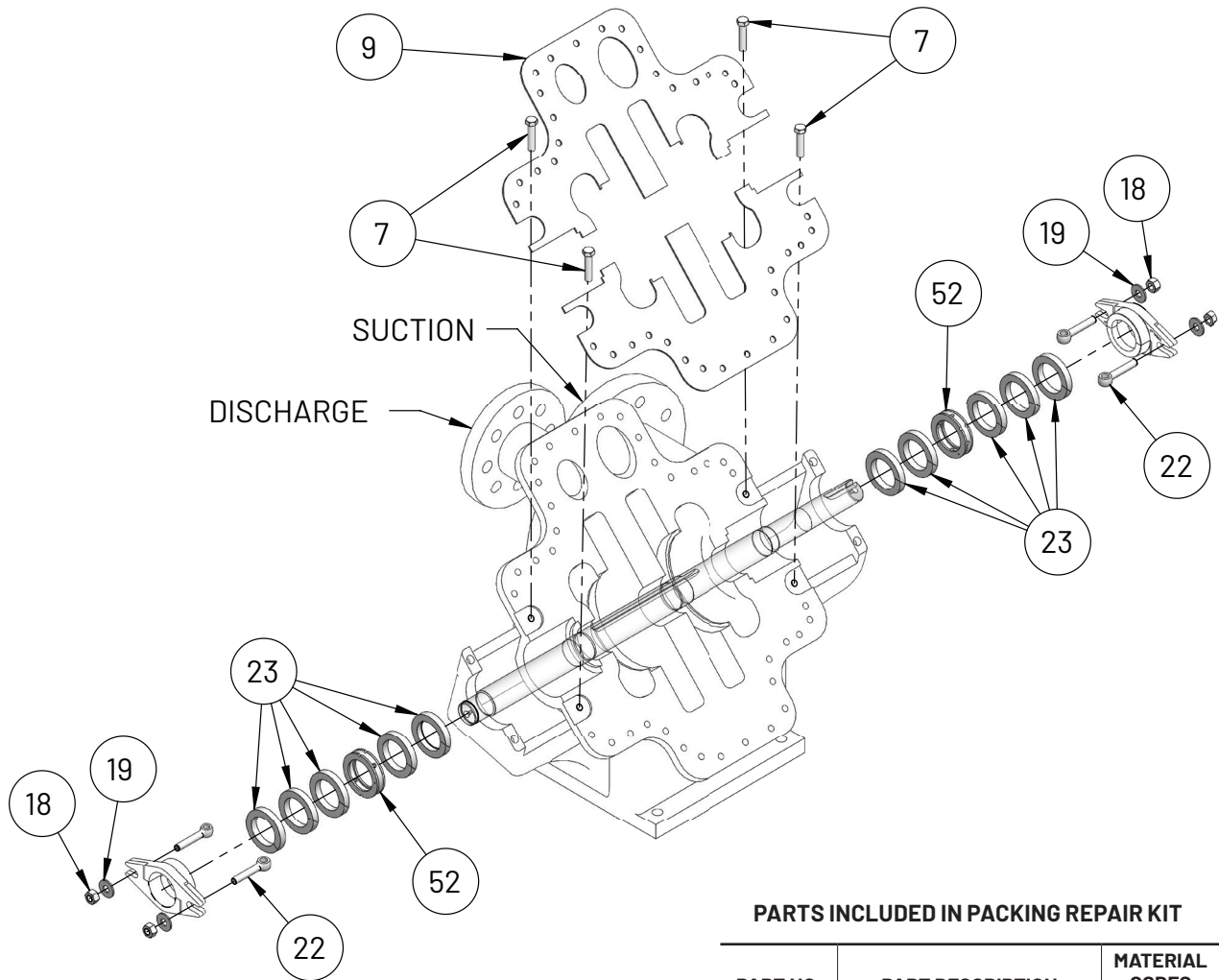
### NOTES

1. THE ROTATING ASSEMBLIES LISTED ABOVE ARE IN BRONZE FITTED CONSTRUCTION (644). IF NO PRICE IS LISTED IN THE MASTER PARTS PRICE LIST, REFER TO FACTORY.
2. FOR CHLORINATED WATER, ELEMENTS MAY BE AVAILABLE WITH 208 OR 243 BRONZE IMPELLERS. REFER TO FACTORY.

\*TO BE USED FOR IMPELLERS LARGER THAN 9" DIAMETER.

\*\*TO BE USED FOR IMPELLERS 9" DIAMETER OR SMALLER, OR FOR PUMPS OPERATING AT 3500 RPM.

# 430B SERIES PACKING REPAIR KIT

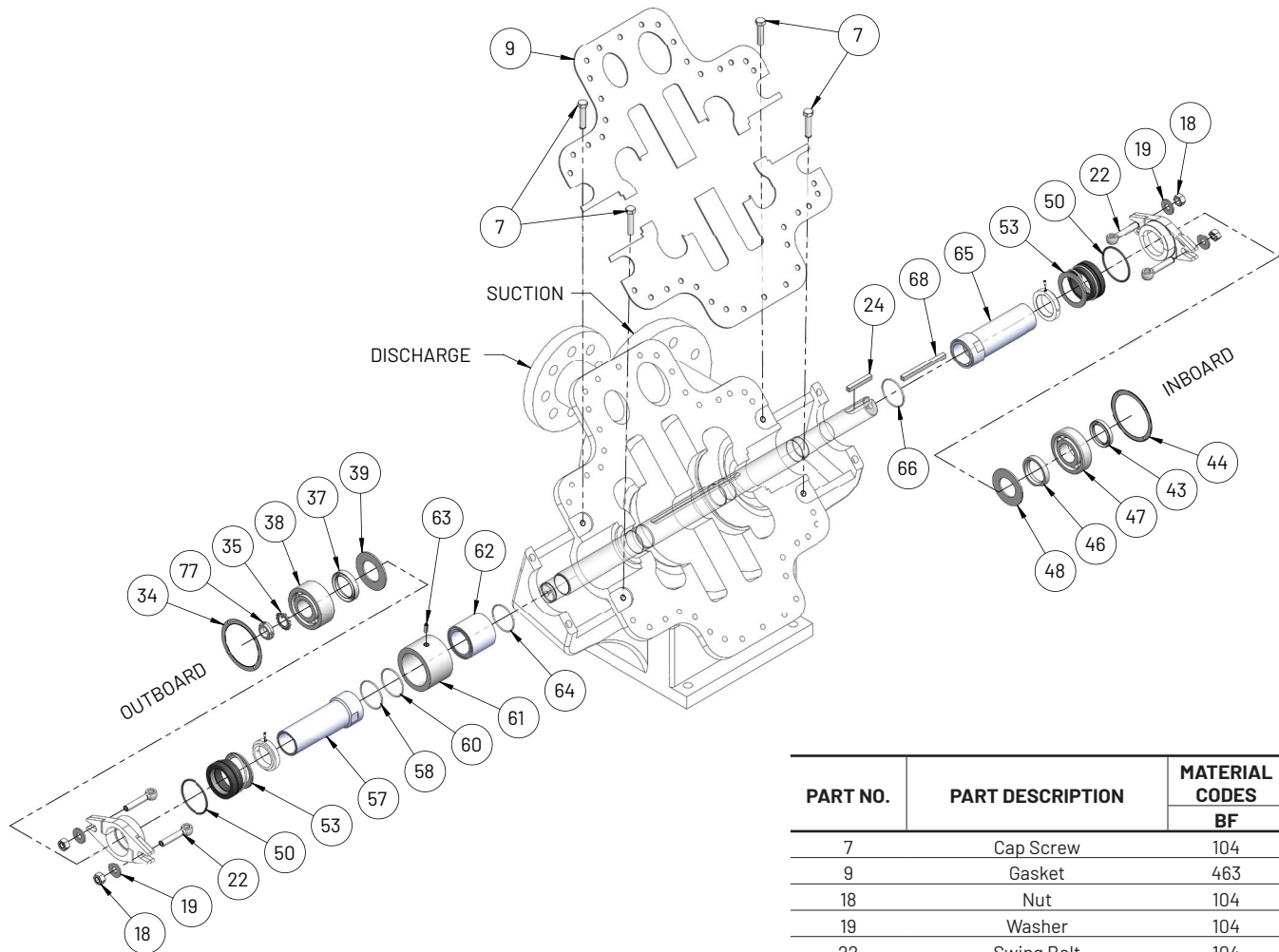


## PARTS INCLUDED IN PACKING REPAIR KIT

PART NO.	PART DESCRIPTION	MATERIAL CODES
		BF
7	Cap Screw	104
9	Gasket	463
18	Nut	104
19	Washer	104
22	Swing Bolt	104
23	Packing	806
52	Lantern Ring	512



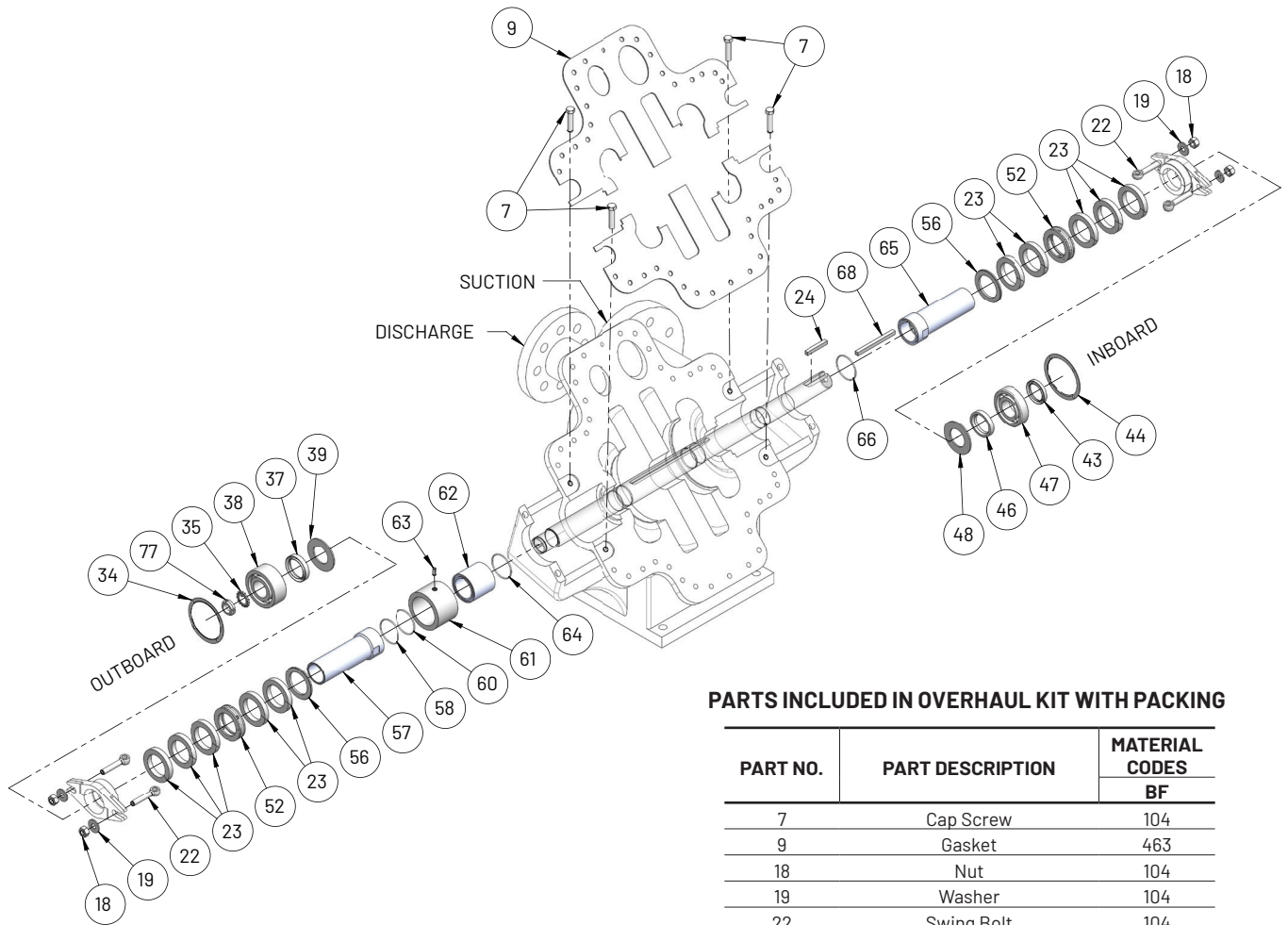
# 430B SERIES SEAL REPAIR KIT



PART NO.	PART DESCRIPTION	MATERIAL
		CODES
7	Cap Screw	104
9	Gasket	463
18	Nut	104
19	Washer	104
22	Swing Bolt	104
24	Coupling Key	087
34	Gasket	614
35	Lock Washer	080
37	Grease Seal	653
38	Bearing	647
39	Slinger	208
43	Grease Seal	653
44	Gasket	614
46	Grease Seal	653
47	Bearing	647
48	Slinger	208
50	O-Ring	474
53	Mechanical Seal	753
57	Sleeve	208
58	O-Ring	474
60	O-Ring	474
61	Bushing	226
62	O-Ring	474
63	Impeller Key	107
64	O-Ring	474
65	Sleeve	208
66	O-Ring	474
68	Drive Pin	104
77	Lock Nut	080



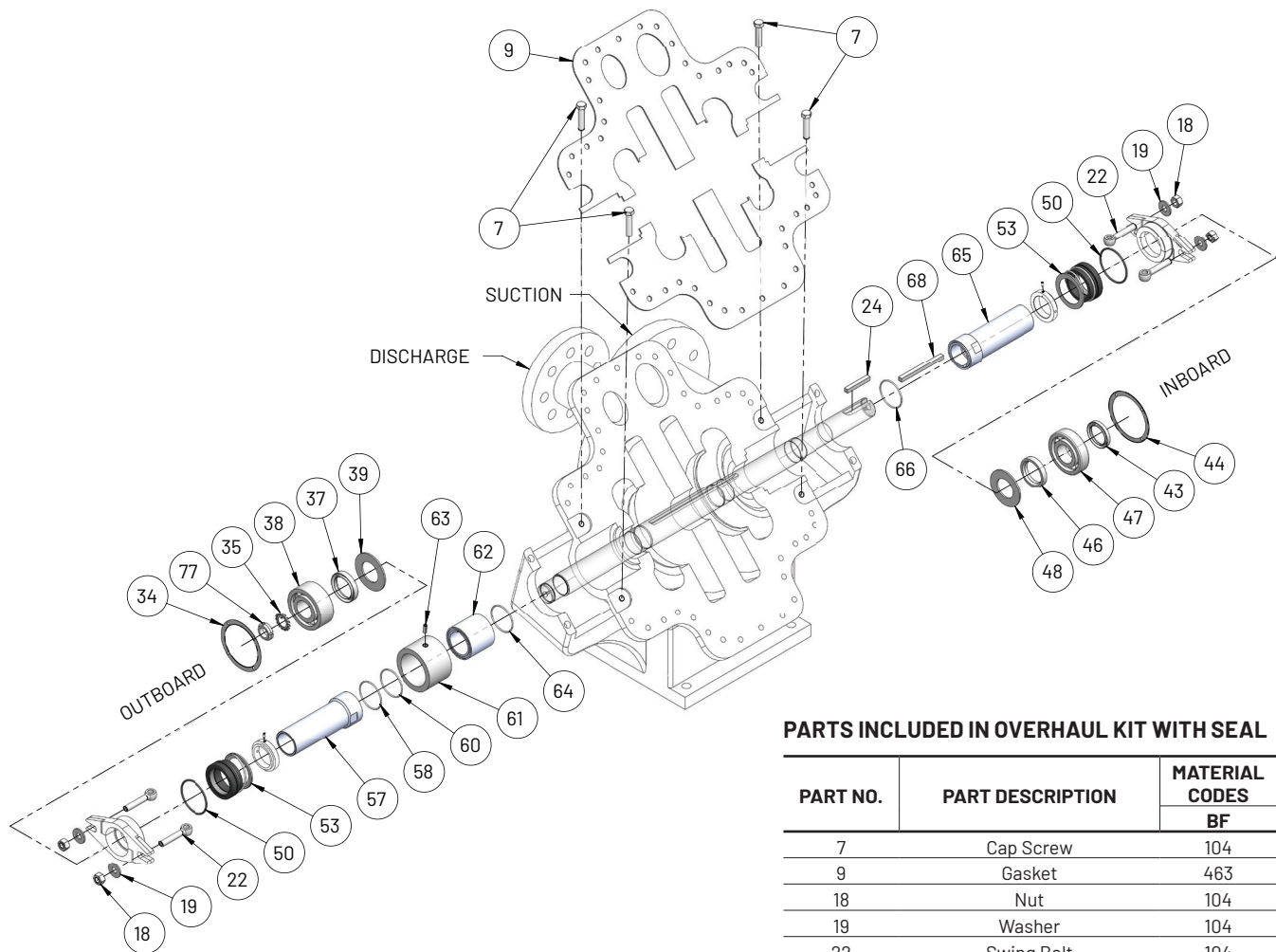
# 430B SERIES OVERHAUL KIT WITH PACKING



## PARTS INCLUDED IN OVERHAUL KIT WITH PACKING

PART NO.	PART DESCRIPTION	MATERIAL
		CODES
7	Cap Screw	104
9	Gasket	463
18	Nut	104
19	Washer	104
22	Swing Bolt	104
23	Packing	806
24	Coupling Key	087
34	Gasket	614
35	Lock Washer	080
37	Grease Seal	653
38	Bearing	647
39	Slinger	208
43	Grease Seal	653
44	Gasket	614
46	Grease Seal	653
47	Bearing	647
48	Slinger	208
52	Lantern Ring	512
56	Bushing	208
57	Sleeve	208
58	O-Ring	474
60	O-Ring	474
61	Bushing	226
62	O-Ring	474
63	Impeller Key	107
64	O-Ring	474
65	Sleeve	208
68	Drive Pin	104
77	Lock Nut	080

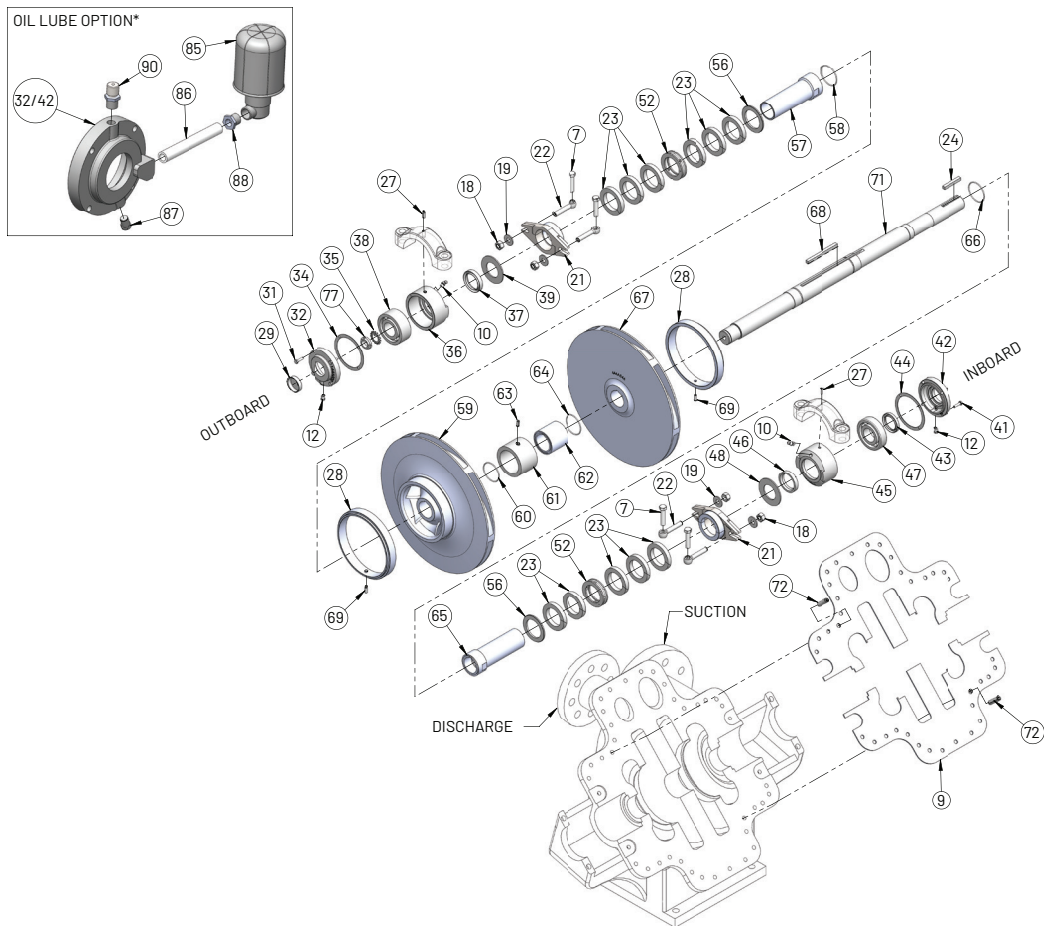
# 430B SERIES OVERHAUL KIT WITH SEAL



## PARTS INCLUDED IN OVERHAUL KIT WITH SEAL

PART NO.	PART DESCRIPTION	MATERIAL CODES
		BF
7	Cap Screw	104
9	Gasket	463
18	Nut	104
19	Washer	104
22	Swing Bolt	104
24	Coupling Key	087
34	Gasket	614
35	Lock Washer	080
37	Grease Seal	653
38	Bearing	647
39	Slinger	208
43	Grease Seal	653
44	Gasket	614
46	Grease Seal	653
47	Bearing	647
48	Slinger	208
50	O-Ring	474
53	Mechanical Seal	753
57	Sleeve	208
58	O-Ring	474
60	O-Ring	474
61	Bushing	226
62	O-Ring	474
63	Impeller Key	107
64	O-Ring	474
65	Sleeve	208
66	O-Ring	474
68	Drive Pin	104
77	Lock Nut	080

# 430B SERIES ROTATING ASSEMBLY WITH PACKING



## PARTS INCLUDED IN ROTATING ASSEMBLY WITH PACKING

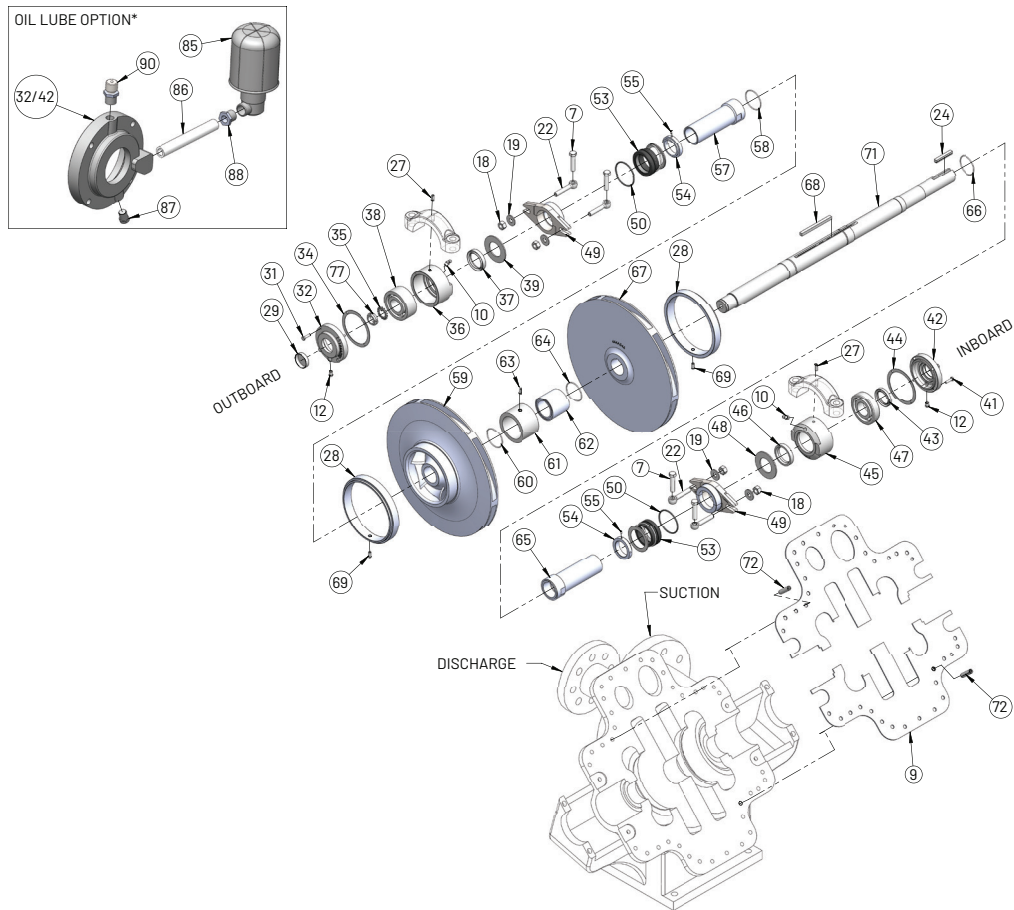
NOTE: ROTATING ASSEMBLY ARRIVES PRE-ASSEMBLED FOR EASE OF INSTALLATION.

PART NO.	PART DESCRIPTION	MATERIAL CODES	PART NO.	PART DESCRIPTION	MATERIAL CODES
		BF			BF
7	Cap Screw	104	44	Gasket	614
9	Gasket	463	45	Cartridge	010
10	Grease Fitting	651	46	Grease Seal	653
12	Plug	087	47	Bearing	647
18	Nut	104	48	Slinger	208
19	Washer	104	52	Lantern Ring	512
21	Gland	010	56	Bushing	208
22	Swing Bolt	104	57	Sleeve	208
23	Packing	806	58	O-Ring	474
24	Coupling Key	087	60	O-Ring	474
27	Pin	360	61	Bushing	226
28	Case Ring	208	62	O-Ring	474
29	Protector	087	63	Impeller Key	107
31	Cap Screw	082	64	O-Ring	474
32	Cartridge Cap (STD)	010	65	Sleeve	208
32*	Cartridge Cap (Oil Lube)	010	66	O-Ring	474
34	Gasket	614	67	Impeller	225
35	Lock Washer	080	68	Impeller Key	107
36	Cartridge	010	69	Pin	360
37	Grease Seal	653	77	Lock Nut	080
38	Bearing	647	85*	Oiler	652
39	Slinger	208	86*	Nipple	387
41	Cap Screw	082	87*	Plug	387
42	Cartridge Cap (STD)	010	88*	Red Bushing	387
42*	Cartridge Cap (Oil Lube)	010	90*	Breather	656
43	Grease Seal	653			

### NOTES

\*TO BE USED WITH OIL LUBRICATED BEARING OPTION ONLY.

# 430B SERIES ROTATING ASSEMBLY WITH SEAL



## PARTS INCLUDED IN ROTATING ASSEMBLY WITH SEAL

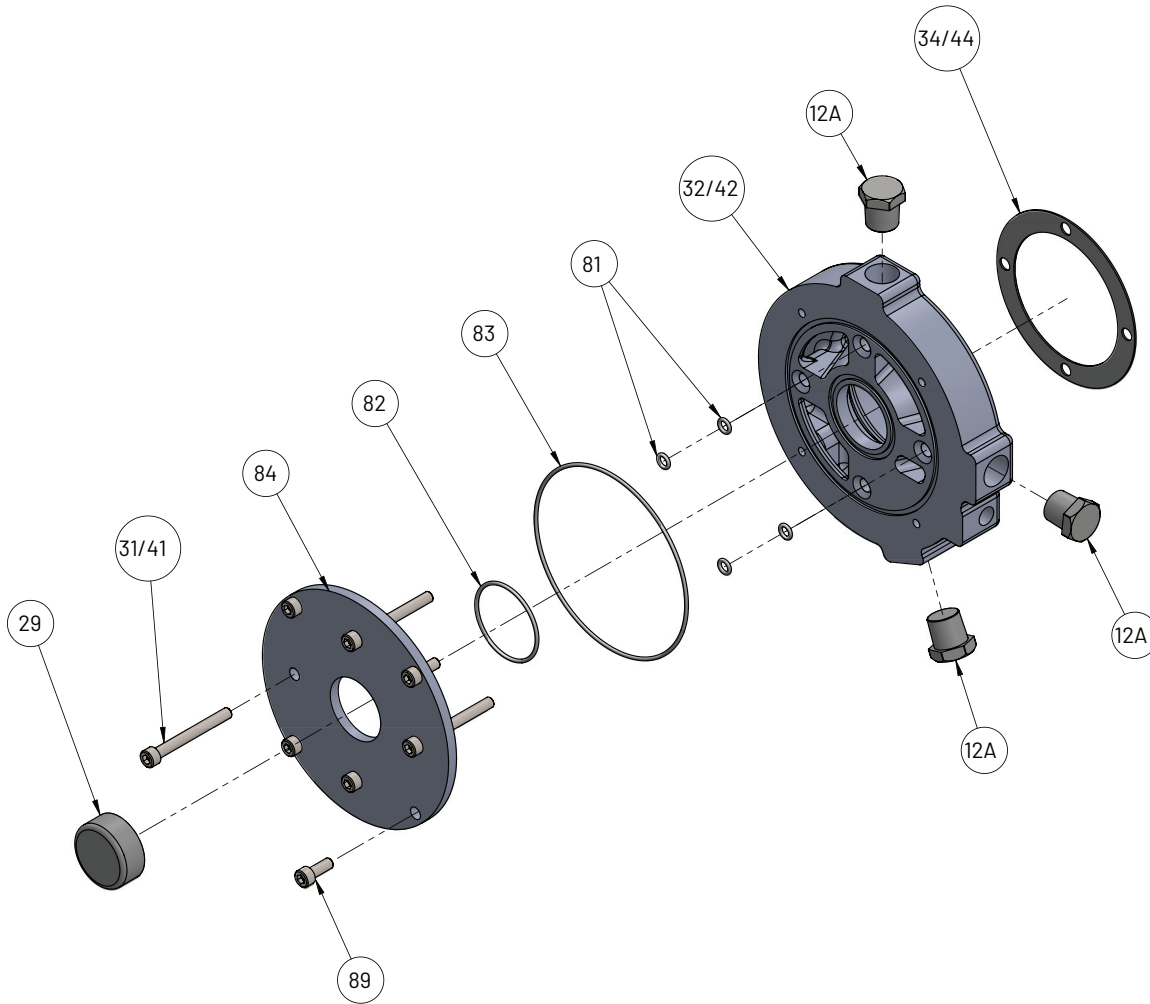
NOTE: ROTATING ASSEMBLY ARRIVES PRE-ASSEMBLED FOR EASE OF INSTALLATION.

PART NO.	PART DESCRIPTION	MATERIAL CODES	PART NO.	PART DESCRIPTION	MATERIAL CODES
		BF			BF
7	Cap Screw	104	44	Gasket	614
9	Gasket	463	45	Cartridge	010
10	Grease Fitting	651	46	Grease Seal	653
12	Plug	087	47	Bearing	647
18	Nut	104	48	Slinger	208
19	Washer	104	52	Lantern Ring	512
21	Gland	010	56	Bushing	208
22	Swing Bolt	104	57	Sleeve	208
23	Packing	806	58	O-Ring	474
24	Coupling Key	087	60	O-Ring	474
27	Pin	360	61	Bushing	226
28	Case Ring	208	62	O-Ring	474
29	Protector	087	63	Impeller Key	107
31	Cap Screw	082	64	O-Ring	474
32	Cartridge Cap (STD)	010	65	Sleeve	208
32*	Cartridge Cap (Oil Lube)	010	66	O-Ring	474
34	Gasket	614	67	Impeller	225
35	Lock Washer	080	68	Impeller Key	107
36	Cartridge	010	69	Pin	360
37	Grease Seal	653	77	Lock Nut	080
38	Bearing	647	85*	Oiler	652
39	Slinger	208	86*	Nipple	387
41	Cap Screw	082	87*	Plug	387
42	Cartridge Cap (STD)	010	88*	Red Bushing	387
42*	Cartridge Cap (Oil Lube)	010	90*	Breather	656
43	Grease Seal	653			

### NOTES

\*TO BE USED WITH OIL LUBRICATED BEARING OPTION ONLY.

# 430B SERIES WATER COOLED CARTRIDGE CAP KIT



## PARTS INCLUDED IN CARTRIDGE CAP KIT

PART NO.	PART DESCRIPTION	MATERIAL CODES
		BF
12A	Plug	087
29	Protector	087
31/41	Cap Screws	082
32/42	Cartridge Cap	010
34/44	Gasket	614
81	O-Rings (PS 2 Only)	457
82	O-Ring	457
83	O-Ring	457
84	Cover Plate	087
89	Cap Screws	082

### NOTES

1. EACH KIT INCLUDES PARTS FOR WATER COOLING ONE CARTRIDGE.
2. TWO KITS REQUIRED PER PUMP.

## 430B SERIES KIT SELECTION TABLE

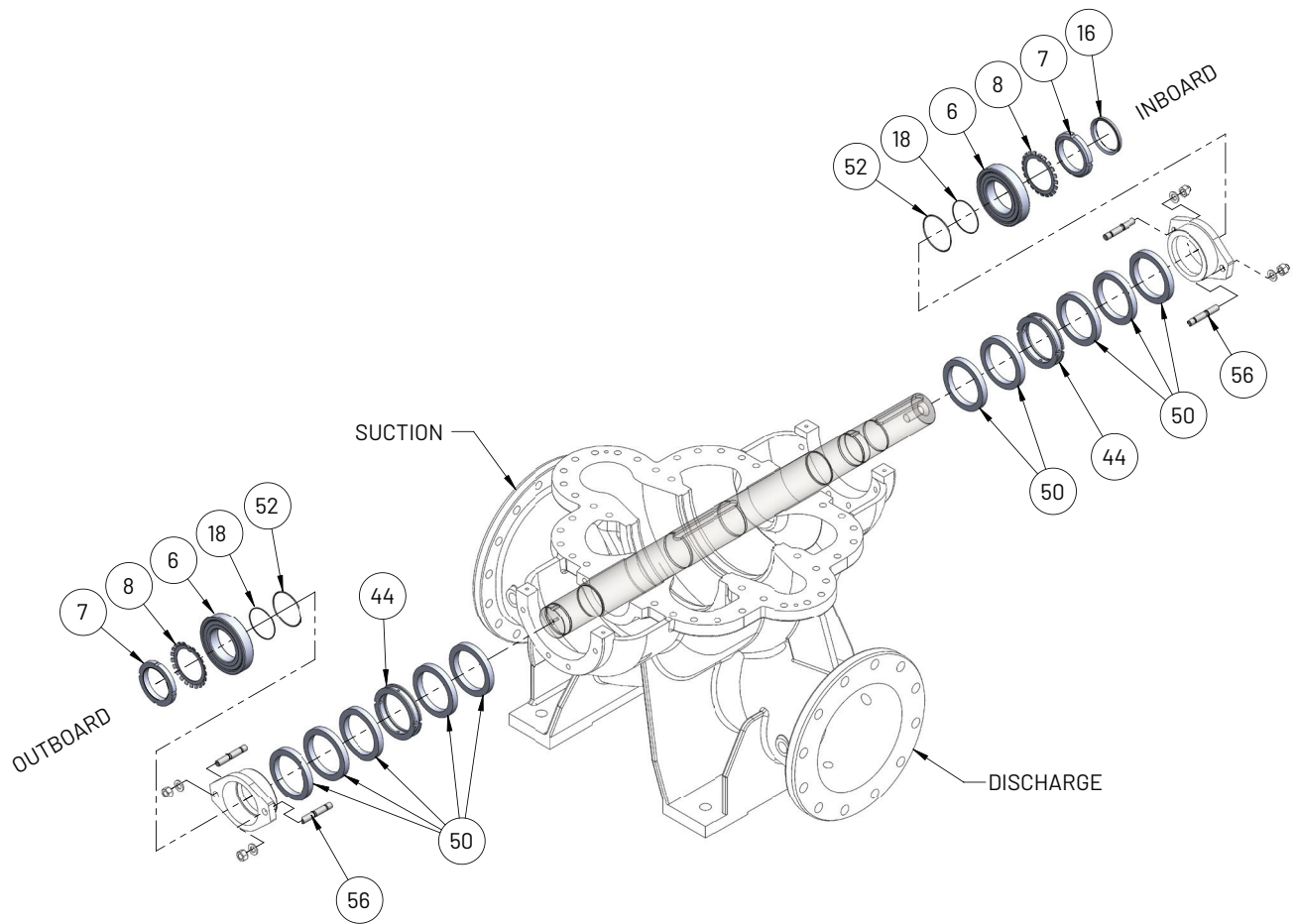
PUMP SIZE	POWER SERIES	PACKING KIT	SEAL KIT	OVERHAUL KIT WITH PACKING	OVERHAUL KIT WITH SEALS	WATER COOLED CARTRIDGE CAP KITS
1-1/2 x 3 x 9 2 x 4 x 9	2	476-0651-644	476-0652-644	476-0381-644	476-0393-644	476-0745-644
1-1/2 x 3 x 11 2 x 4 x 11	3A	476-0764-644	476-0765-644	476-0766-644	476-0767-644	476-0749-644

PUMP SIZE	POWER SERIES	ROTATING ASSY W/ PACKING (BRZ SLEEVES)	ROTATING ASSY W/ PACKING (440 C SLEEVES)	ROTATING ASSY W/ SEALS (BRZ SLEEVES)	ROTATING ASSY W/ SEALS (316 SS SLEEVES)
1-1/2 x 3 x 9 2 x 4 x 9	2	700-0670-644 700-0671-644	700-0674-644 700-0675-644	700-0672-644 700-0673-644	700-0676-644 700-0677-644
1-1/2 x 3 x 11 2 x 4 x 11	3A	700-0252-644 700-0256-644	700-0254-644 700-0258-644	700-0253-644 700-0257-644	700-0255-644 700-0259-644

**NOTES:**

1. ROTATING ASSEMBLIES HAVE BEEN MODIFIED TO INCLUDE THE NEW STANDARD FEATURES OF THE IMPROVED MODEL 431B PUMPS AND ARE INTERCHANGEABLE WITH THE MODEL 431 PUMPS BUILT PRIOR TO MAY 1, 1992.
2. THE ROTATING ASSEMBLIES LISTED ABOVE ARE IN BRONZE FITTED CONSTRUCTION (644). IF NO PRICE IS LISTED IN THE MASTER PARTS PRICE LIST, REFER TO FACTORY.

# 471 SERIES PACKING REPAIR KIT



## PARTS INCLUDED IN PACKING REPAIR KIT

PART NO.	PART DESCRIPTION
6	Deep Groove Ball Bearing
7	Lock Nut
8	Lock Nut
16	V-Ring
18	O-Ring
44	Lantern Ring
50	Gland Packing
52	O-Ring
56	Gland Stud
-	Sealant (Liquid Gasket)

## PACKING KIT SELECTION TABLE

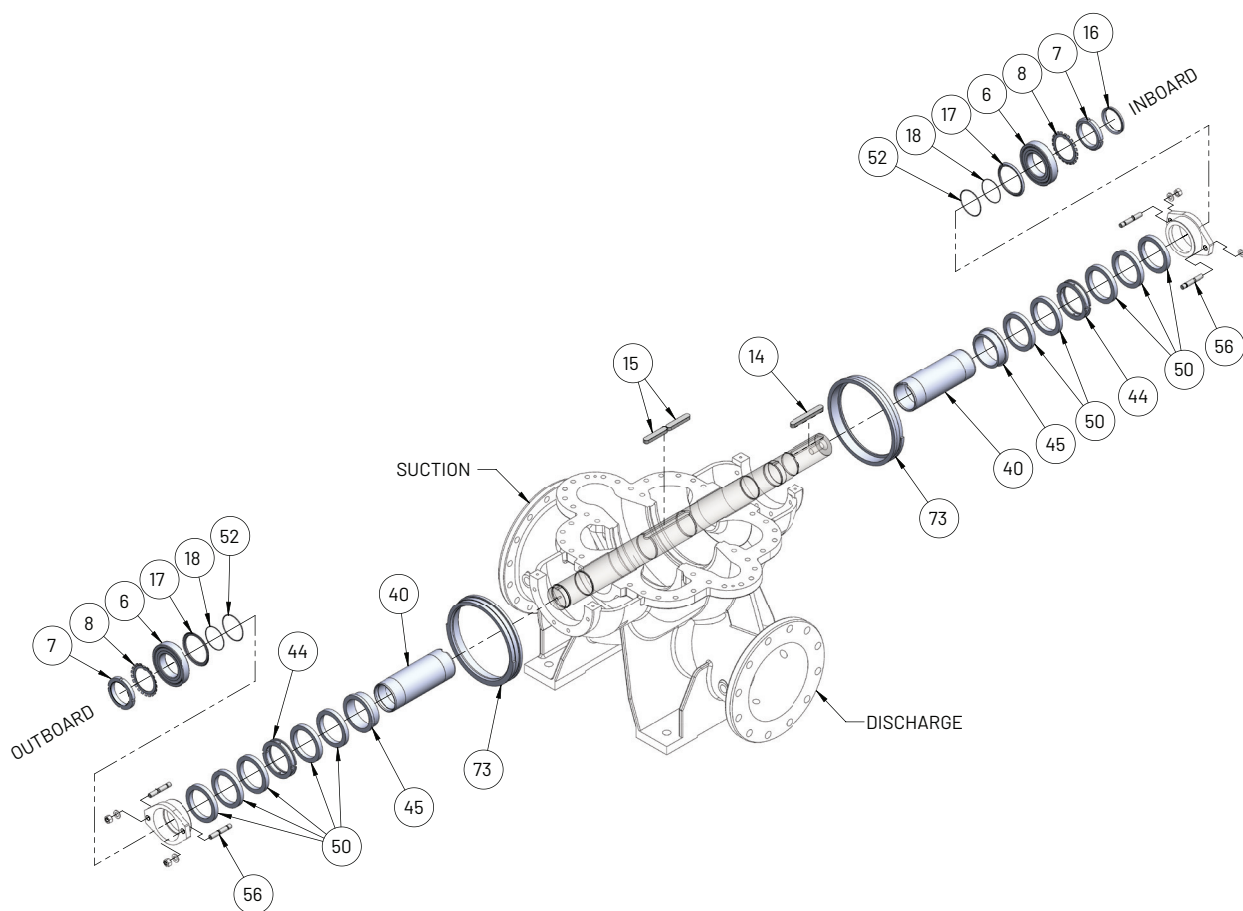
PUMP SIZE*	PACKING REPAIR KIT
8-471-20A	NP018816014P
10-471-16A	NP018814014P
10-471-20A	NP018812014P
12-471-20A	NP018818014P

### NOTES

1. ROTATING ASSEMBLIES WILL BE BUILT ON ORDER BASIS; REFER TO FACTORY.
- \*NOT ALL PUMP SIZES SHOWN; PLEASE CONTACT FACTORY FOR OTHER MODELS NOT SHOWN.



# 471 SERIES OVERHAUL KIT



## PARTS INCLUDED IN OVERHAUL KIT

PART NO.	PART DESCRIPTION
6	Deep Groove Ball Bearing
7	Lock Nut
8	Lock Nut
14	Key
15	Key
16	V-Ring
17	Seal
18	O-Ring
40	Shaft Sleeve
44	Lantern Ring
45	Packing Seating Ring
50	Gland Packing
52	O-Ring
56	Gland Stud
73	Wear Ring
#	Sealant (Liquid Gasket)

## OVERHAUL KIT SELECTION TABLE

PUMP SIZE*	PACKING REPAIR KIT
8-471-20A	NP018817014P
10-471-16A	NP018815014P
10-471-20A	NP018813014P
12-471-20A	NP018819014P

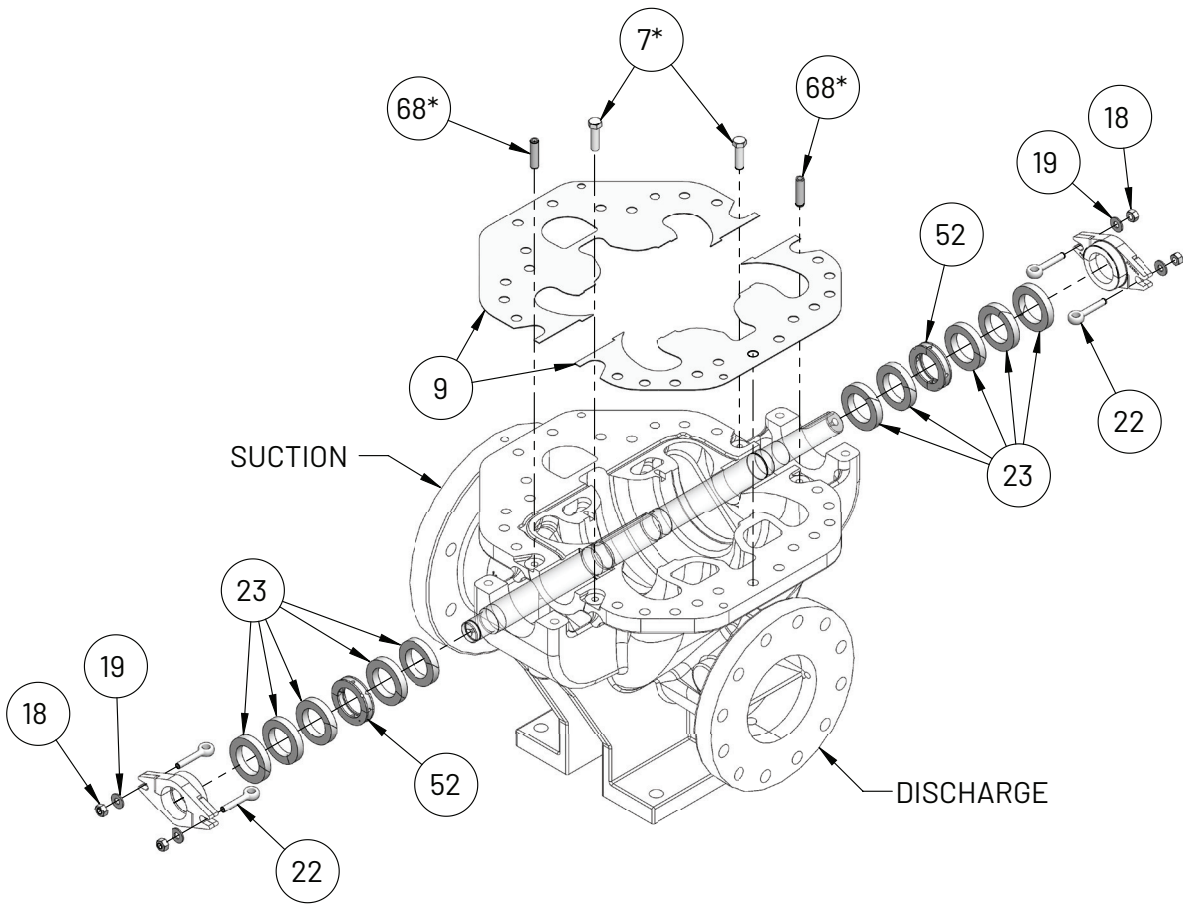
## NOTES

1. ROTATING ASSEMBLY WILL BE BUILT ON ORDER BASIS; REFER TO FACTORY.

\*NOT ALL PUMP SIZES SHOWN; PLEASE CONTACT FACTORY FOR OTHER MODELS NOT SHOWN.



# 481 & 483 SERIES PACKING REPAIR KIT



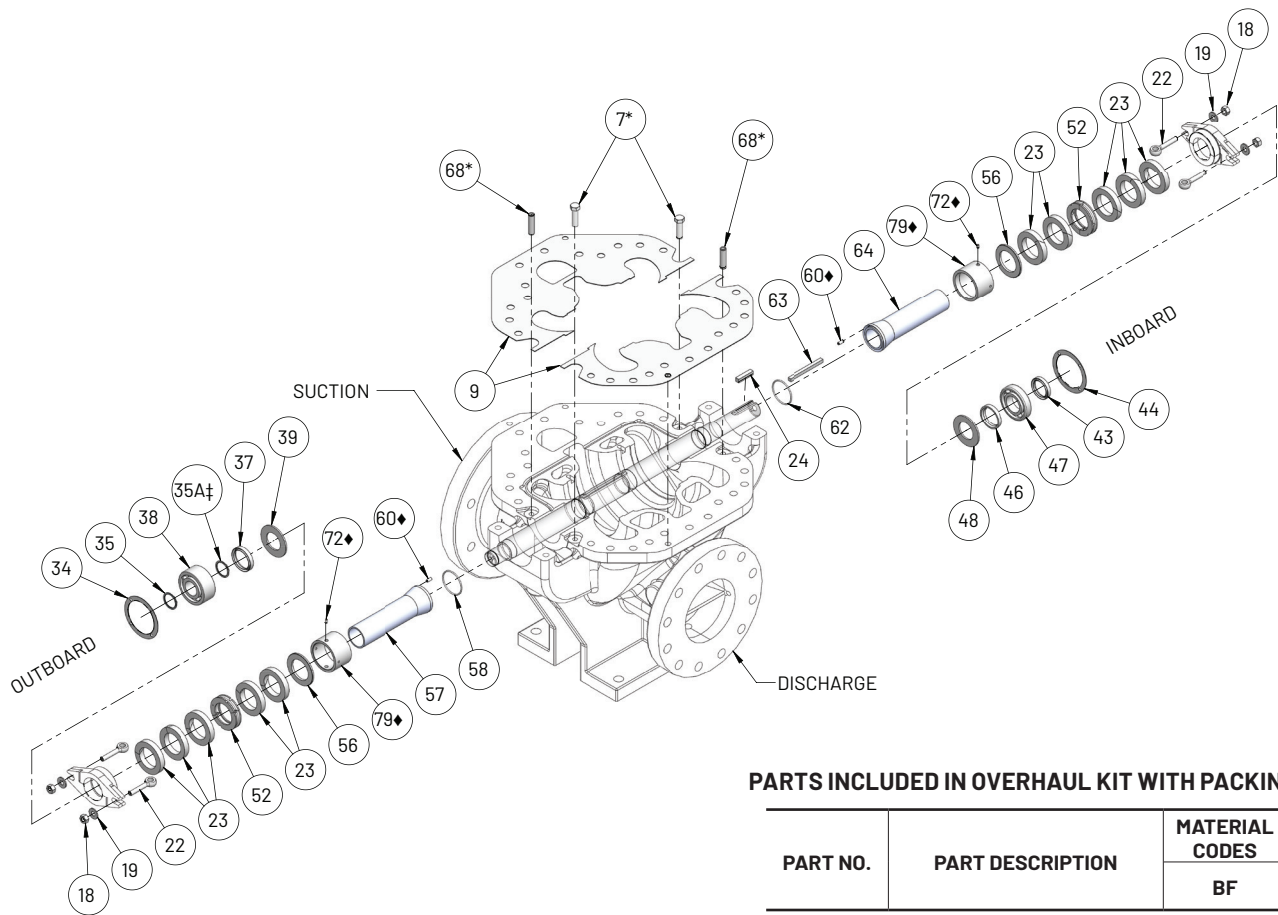
## PARTS INCLUDED IN PACKING REPAIR KIT

PART NO.	PART DESCRIPTION	MATERIAL CODES
		BF
7*	Cap Screw	104
9	Gasket	463
18	Nut	104
19	Washer	104
22	Swing Bolt	104
23	Packing	816
52	Lantern Ring	512
68*	Drive Pin	104

### NOTES

\*PART NO. 68 IS FOR POWER SERIES #1 & #2 ONLY. FOR OTHER POWER SERIES; REFER TO PART NO. 7.

# 481 & 483 SERIES OVERHAUL KIT WITH PACKING



## PARTS INCLUDED IN OVERHAUL KIT WITH PACKING

PART NO.	PART DESCRIPTION	MATERIAL CODES
		BF
7	Cap Screw	104
9	Gasket	463
18	Nut	104
19	Washer	104
22	Swing Bolt	104
23	Packing	816
24	Coupling Key	087
34	Gasket	614
35	Retaining Ring	088
35A‡	Retaining Ring	088
37	Grease Seal	653
38	Bearing	647
39	Slinger	478
43	Grease Seal	653
44	Gasket	614
46	Grease Seal	653
47	Bearing	647
48	Slinger	478
52	Lantern Ring	512
56	Bushing	208
57	Sleeve	208
58	O-Ring	457
60**	Sleeve Pin	104
62	O-Ring	457
63	Impeller Key	107
64	Sleeve	208
68*	Drive Pin	104
72**	Set Screw	113
79**	Sleeve Collar	208

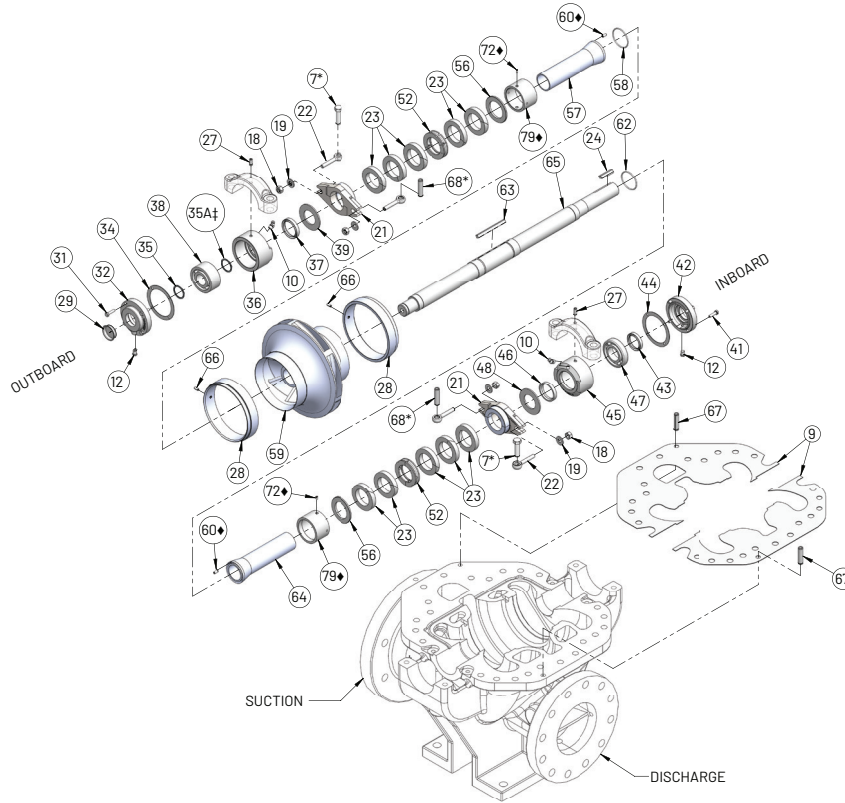
### NOTES

\*PART NO. 68 IS FOR POWER SERIES #1 & #2 ONLY. FOR OTHER POWER SERIES; REFER TO PART NO. 7.

‡PART NO. 35A IS USED ON POWER SERIES 6B, 7 & 7A ONLY.

\*\*PART NOS. 60, 72 & 79 ARE USED FOR 10X12X18D ONLY.

# 481 & 483 SERIES ROTATING ASSEMBLY WITH PACKING



## PARTS INCLUDED IN ROTATING ASSEMBLY WITH PACKING

NOTE: ROTATING ASSEMBLY ARRIVES PRE-ASSEMBLED FOR EASE OF INSTALLATION.

PART NO.	PART DESCRIPTION	MATERIAL CODES	PART NO.	PART DESCRIPTION	MATERIAL CODES
		BF			BF
7	Cap Screw	104	42	Cartridge Cap	010
9	Gasket	463	43	Grease Seal	653
10	Grease Fitting	651	44	Gasket	614
12	Plug	087	45	Cartridge	010
18	Nut	104	46	Grease Seal	653
19	Washer	104	47	Bearing	647
21	Gland	010	48	Slinger	478
22	Swing Bolt	104	52	Lantern Ring	512
23	Packing	816	56	Bushing	208
24	Coupling Key	087	57	Sleeve	208
27	Pin	360	58	O-Ring	457
28	Case Ring	208	59	Impeller	227
29	Protector	087	60**	Sleeve Pin	104
31	Cap Screw	082	62	O-Ring	457
32	Cartridge Cap	010	63	Impeller Key	107
34	Gasket	614	64	Sleeve	208
35	Retaining Ring	088	65	Shaft	063
35A†	Retaining Ring	088	66	Pin	360
36	Cartridge	010	67	Pin	360
37	Grease Seal	653	68*	Drive Pin	104
38	Bearing	647	72**	Set Screw	113
39	Slinger	478	79**	Sleeve Collar	208
41	Cap Screw	082			

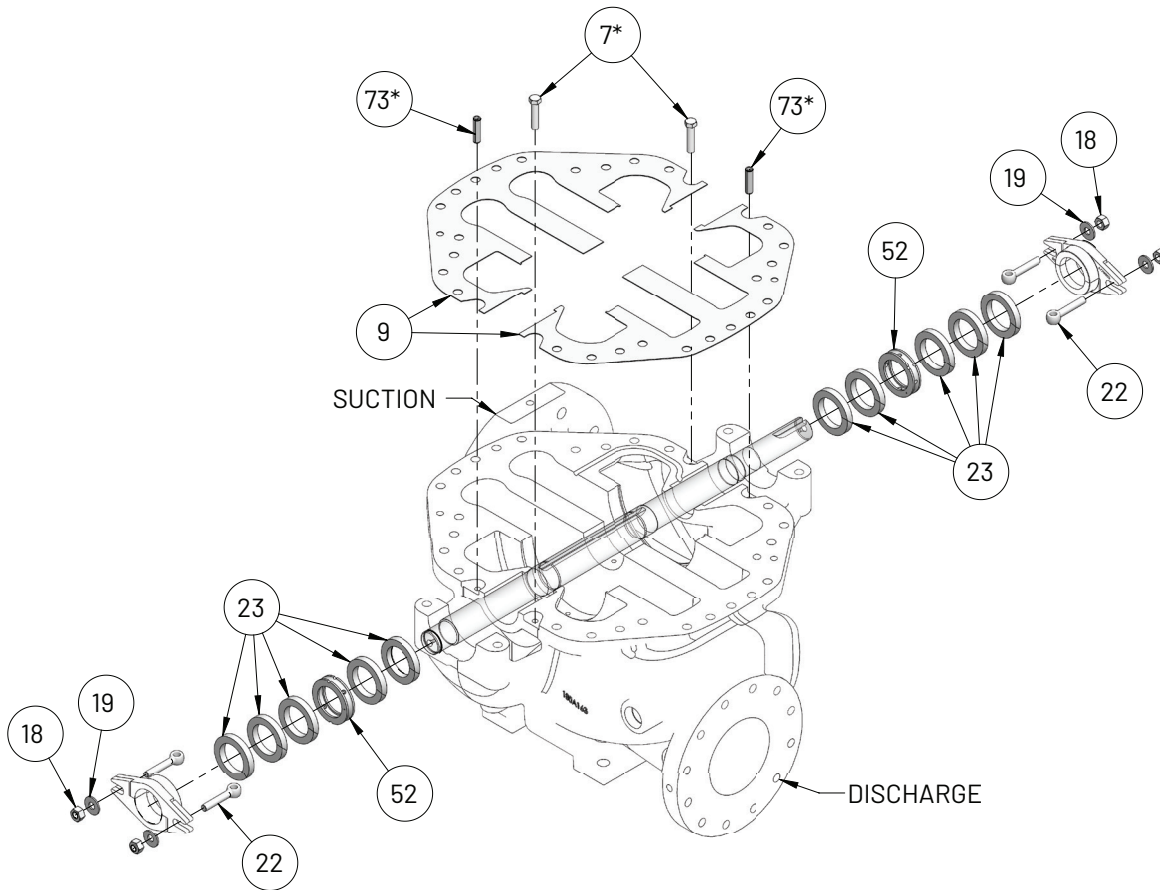
### NOTES

\*PART NO. 68 IS FOR POWER SERIES #1 & #2 ONLY. FOR OTHER POWER SERIES; REFER TO PART NO. 7.

†PART NO. 35A IS USED ON POWER SERIES 6B, 7 & 7A ONLY.

\*\*PART NO. 60, 72 & 79 ARE USED FOR 10X12X18D ONLY.

# 485 SERIES PACKING REPAIR KIT



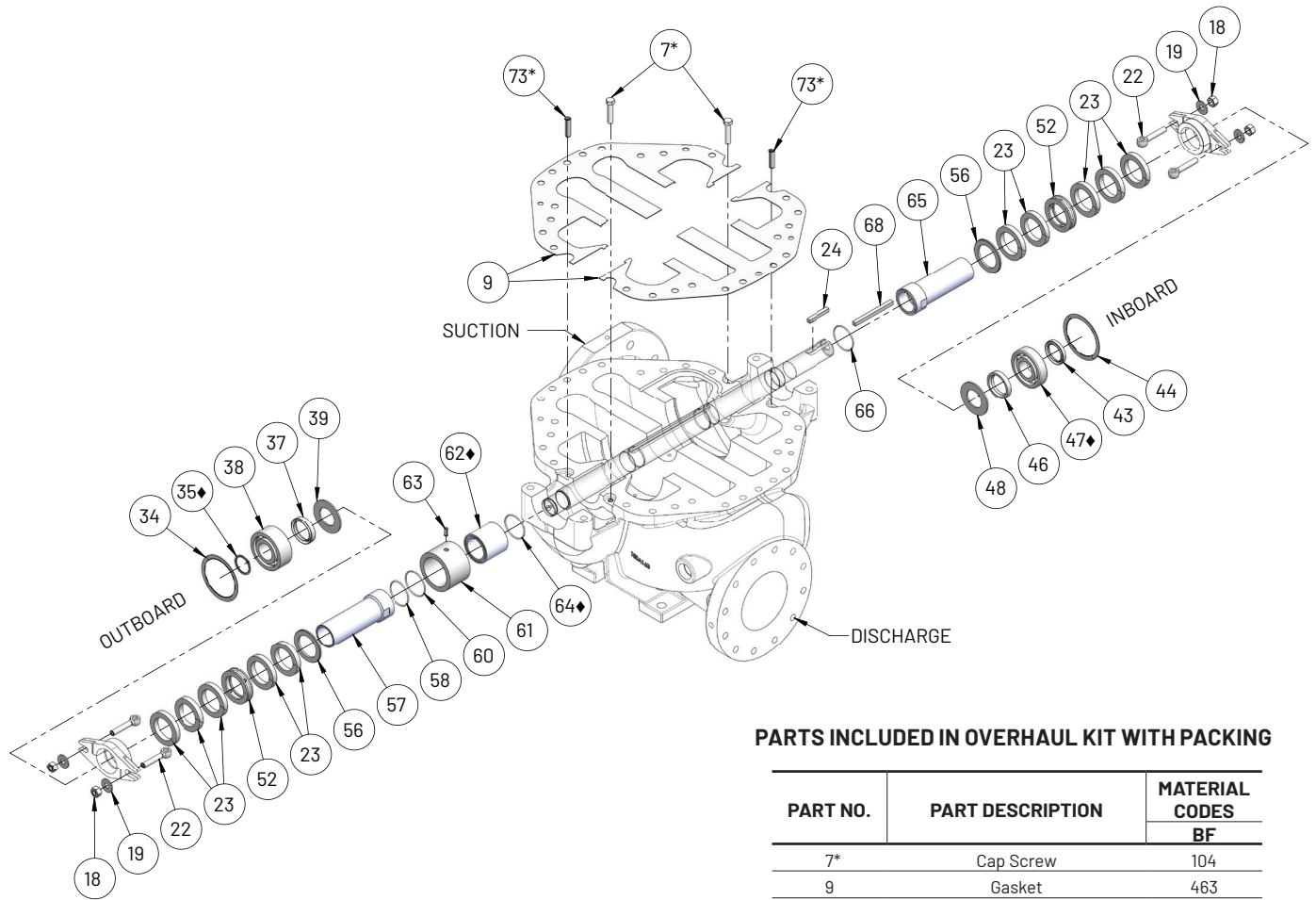
## PARTS INCLUDED IN PACKING REPAIR KIT

PART NO.	PART DESCRIPTION	MATERIAL CODES
		BF
7*	Cap Screw	104
9	Gasket	463
18	Nut	104
19	Washer	104
22	Swing Bolt	104
23	Packing	816
52	Lantern Ring	512
73*	Drive Pin	104

### NOTES

\*PART NO. 68 IS FOR POWER SERIES #1 & #2 ONLY. FOR OTHER POWER SERIES; REFER TO PART NO. 7.

# 485 SERIES OVERHAUL KIT WITH PACKING



## PARTS INCLUDED IN OVERHAUL KIT WITH PACKING

PART NO.	PART DESCRIPTION	MATERIAL CODES
		BF
7*	Cap Screw	104
9	Gasket	463
18	Nut	104
19	Washer	104
22	Swing Bolt	104
23	Packing	816
24	Coupling Key	087
34	Gasket	614
35**	Retaining Ring	088
37	Grease Seal	653
38	Bearing	647
39	Slinger	478
43	Grease Seal	653
44	Gasket	614
46	Grease Seal	653
47**	Bearing	647
48	Slinger	478
52	Lantern Ring	512
56	Bushing	208
57	Sleeve	208
58	O-Ring	457
60	O-Ring	457
61	Bushing	226
62**	Sleeve	208
63	Drive Pin	360
64**	O-Ring	457
65	Sleeve	208
66	O-Ring	457
68	Impeller Key	107
73*	Drive Pin	104

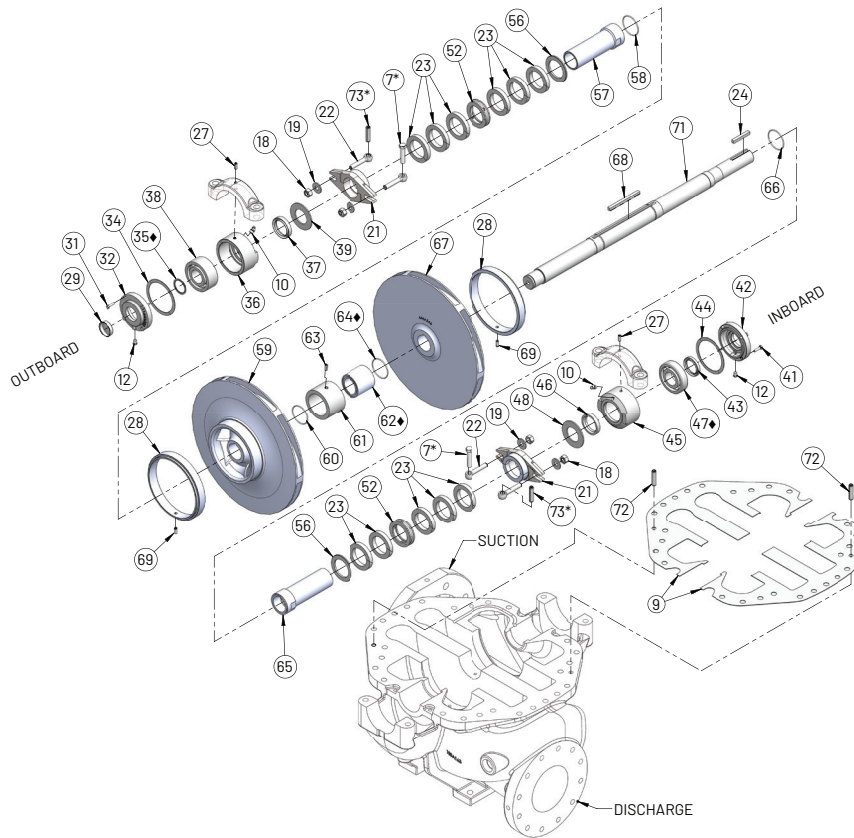
### NOTES

\*PART NO. 73 IS FOR POWER SERIES #2 ONLY. FOR OTHER POWER SERIES; REFER TO PART NO. 7.

\*\*FOR POWER SERIES 4A & 5A

- PART NO. 35 WILL BE REPLACED BY LOCKNUT & LOCK WASHER, QTY 1 NO. EACH.
- QTY OF PART NO. 47 WOULD BE 2 NOS. (ONE ON EACH END).
- PART NO. 62 AND 64 ARE NOT APPLICABLE.

# 485 SERIES ROTATING ASSEMBLY WITH PACKING



## PARTS INCLUDED IN ROTATING ASSEMBLY WITH PACKING

NOTE: ROTATING ASSEMBLY ARRIVES PRE-ASSEMBLED FOR EASE OF INSTALLATION.

PART NO.	PART DESCRIPTION	MATERIAL CODES	PART NO.	PART DESCRIPTION	MATERIAL CODES
		BF			BF
7*	Cap Screw	104	44	Gasket	614
9	Gasket	463	45	Cartridge	010
10	Grease Fitting	651	46	Grease Seal	653
12	Plug	087	47**	Bearing	647
18	Nut	104	48	Slinger	478
19	Washer	104	52	Lantern Ring	512
21	Gland	010	56	Bushing	208
22	Swing Bolt	104	57	Sleeve	208
23	Packing	816	58	O-Ring	457
24	Coupling Key	087	59	Impeller	225
27	Pin	360	60	O-Ring	457
28	Case Ring	208	61	Bushing	226
29	Protector	087	62**	Sleeve	208
31	Cap Screw	082	63	Drive Pin	360
32	Cartridge Cap	010	64**	O-Ring	457
34	Gasket	614	65	Sleeve	208
35**	Retaining Ring	088	66	O-Ring	457
36	Cartridge	010	67	Impeller	225
37	Grease Seal	653	68	Impeller Key	107
38	Bearing	647	69	Pin	360
39	Slinger	478	71	Shaft	063
41	Cap Screw	082	72	Pin	360
42	Cartridge Cap	010	73*	Drive Pin	104
43	Grease Seal	653			

### NOTES

\*PART NO. 73 IS FOR POWER SERIES #2 ONLY. FOR OTHER POWER SERIES; REFER TO PART NO. 7.

\*\*FOR POWER SERIES 4A & 5A

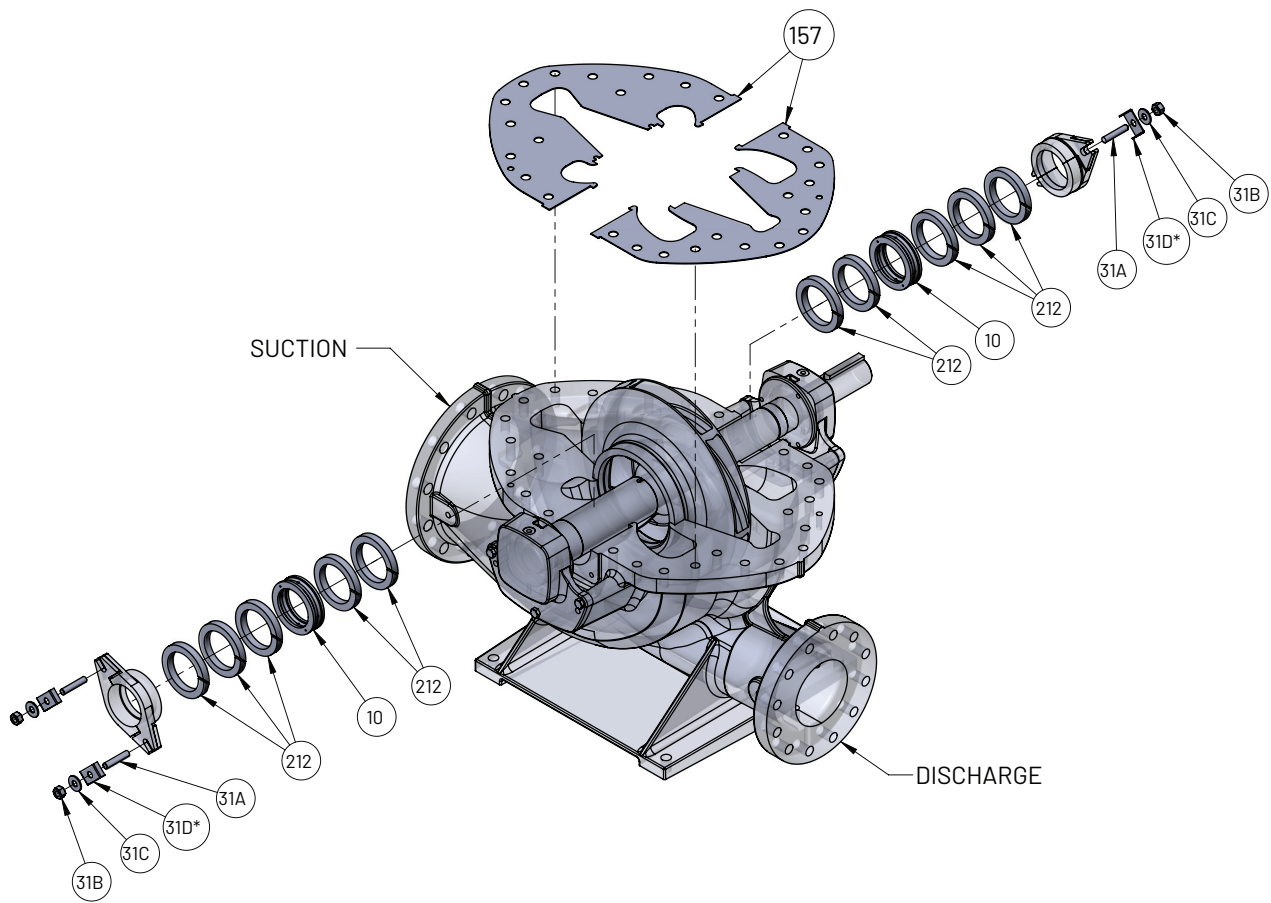
- PART NO. 35 WILL BE REPLACED BY LOCKNUT & LOCK WASHER, QTY 1 NO. EACH.
- QTY OF PART NO. 47 WOULD BE 2 NOS. (ONE ON EACH END).
- PART NOS. 62 AND 64 ARE NOT APPLICABLE.

# 480 SERIES KIT SELECTION TABLE

PUMP SIZE	POWER SERIES	PACKING KIT	OVERHAUL KIT	ROTATING ASSY W/ PACKING (BRZ SLEEVES)	ROTATING ASSY W/ PACKING (HARDENED 440C SS SLEEVES)		
<b>481 &amp; 483 SERIES</b>							
2.5-481-10B/2.5-483-10B	2	476-0630-644	476-0371-644	700-0084-644	700-0384-644		
3-481-10/3-483-10				700-0006-644	700-0306-644		
3-481-10A				700-0952-644	700-0956-644		
4-481-11A/4-483-11A	3	476-0631-644	476-0372-644	700-0009-644	700-0309-644		
4-481-11C/4-483-11C				700-0023-644	700-0323-644		
4-481-15/4-483-15				700-0012-644	700-0312-644		
4-481-11D/4-483-11D				700-0742-644	N/A		
4-481-11E				700-0946-644	700-0957-644		
5-481-11B/5-483-11B				700-0101-644	700-0958-644		
5-481-11C/5-483-11C	4	476-0632-644	476-0451-644	700-0484-644	700-0405-644		
5-481-11D				700-0496-644	700-0959-644		
5-481-15/5-483-15				700-0014-644	700-0314-644		
5-481-15A				700-0261-644	700-0960-644		
5-481-15B				700-0947-644	700-0961-644		
5-481-17/5-483-17			700-0015-644	700-0315-644			
6-481-11/6-483-11			4A	476-0912-644	476-0917-644	700-0025-644	700-0325-644
6-481-11HH						700-0745-644	700-1004-644
6-481-11HHA						700-1012-644	700-0962-644
6-481-15/6-483-15						700-0018-644	700-0318-644
6-481-15B/6-483-15B	700-0250-644	700-0963-644					
6-481-15C/6-483-15C	5	476-0633-644	476-0374-644	700-0333-644	700-0964-644		
6-481-15E				700-0948-644	700-0965-644		
6-481-18B/6-483-18B				700-0486-644	700-0407-644		
6-481-18C/6-483-18C				700-0487-644	700-0408-644		
6-481-18D				700-0949-644	700-0966-644		
6-481-20/6-483-20				700-0019-644	700-0319-644		
8-481-12/8-483-12				700-0027-644	700-0327-644		
8-481-17B/8-483-17B				700-0021-644	700-0321-644		
8-481-17C				700-0953-644	700-0967-644		
6-481-14HH				5A	476-0913-644	476-0918-644	700-0743-644
6-481-14HHA	700-1013-644	700-0968-644					
6-481-14HHB	700-0950-644	700-0969-644					
8-481-21	6B	476-0634-644	476-0375-644	700-0658-644	700-0409-644		
8-481-21A				700-0678-644	700-0668-644		
10-481-15C				700-0488-644	700-0410-644		
10-481-18				700-0089-644	700-0389-644		
8-481-24	7	476-0635-644	476-0376-644	700-0831-644	700-1001-644		
12-481-18A				700-0540-644	700-0665-644		
10-481-18D				7A	476-0914-644	476-0919-644	700-0693-644
<b>485 SERIES</b>							
4-485-15	3	476-0644-644	476-0378-644	700-0037-644	700-0437-644		
5-485-15	4	476-0645-644	476-0379-644	700-0038-644	N/A		
5-485-12	4A	476-1090-644	476-1092-644	700-1014-644	700-1015-644		
6-485-16	5	476-0646-644	476-0380-644	700-0825-644	700-0848-644		
6-485-16B				700-0845-644	700-1022-644		
6-485-17A				700-0039-644	700-0439-644		
6-485-17B				700-0040-644	700-0440-644		
6-485-12	5A	476-1091-644	476-1093-644	700-1018-644	700-1019-644		
6-485-12A				700-0954-644	700-0970-644		



# 491 & 492 SERIES WITH BOLT-ON BEARING ARMS - PACKING REPAIR KIT



## PARTS INCLUDED IN PACKING REPAIR KIT

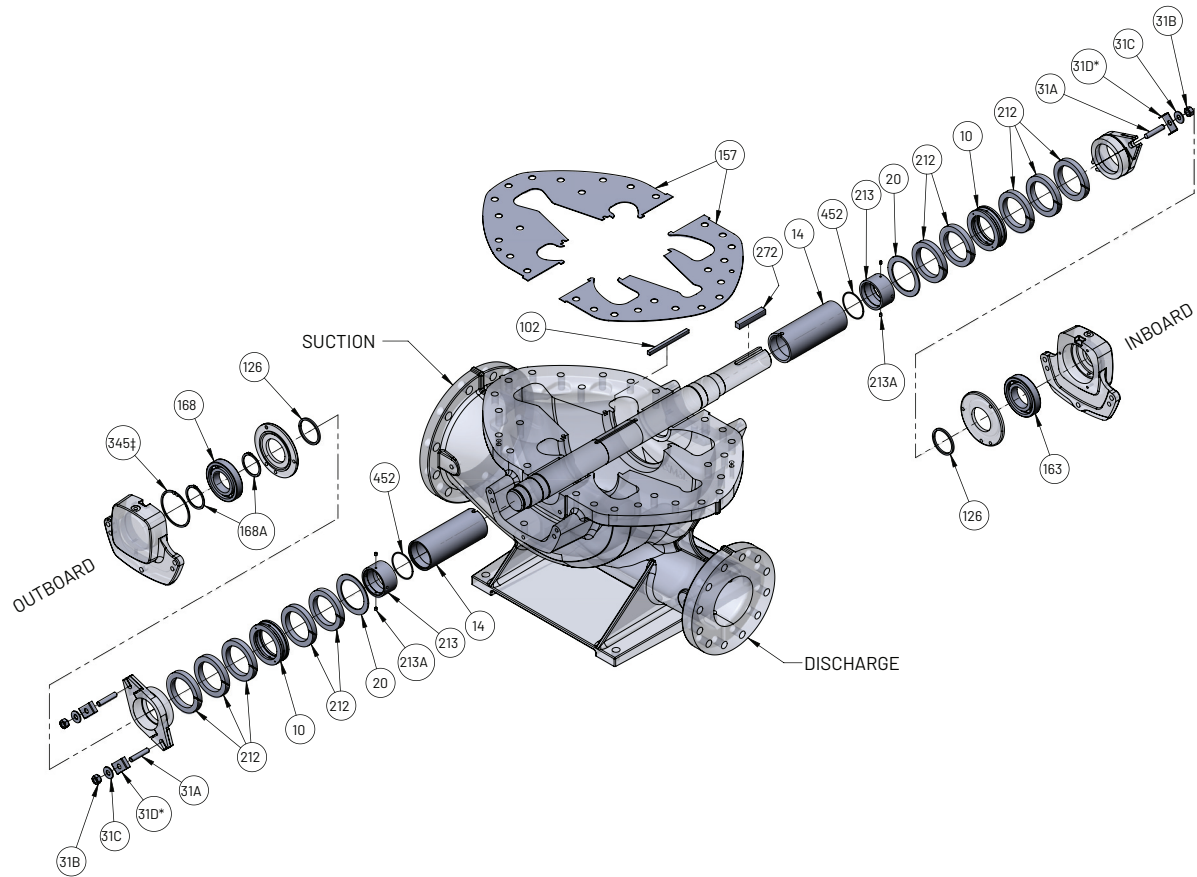
PART NO.	PART DESCRIPTION	MATERIAL CODES
		644
10	Lantern Ring	509
31A	Gland Stud	104
31B	Gland Nut	104
31C	Gland Washer	104
31D*	Gland Clip	104
157	Casing Gasket	463
212	Packing Ring	802

### NOTES

\*PART NO. 31D IS USED FOR PUMP MODEL 4-491-8A ONLY.



# 491 & 492 SERIES WITH BOLT-ON BEARING ARMS - OVERHAUL KIT WITH PACKING



## PARTS INCLUDED IN OVERHAUL KIT WITH PACKING

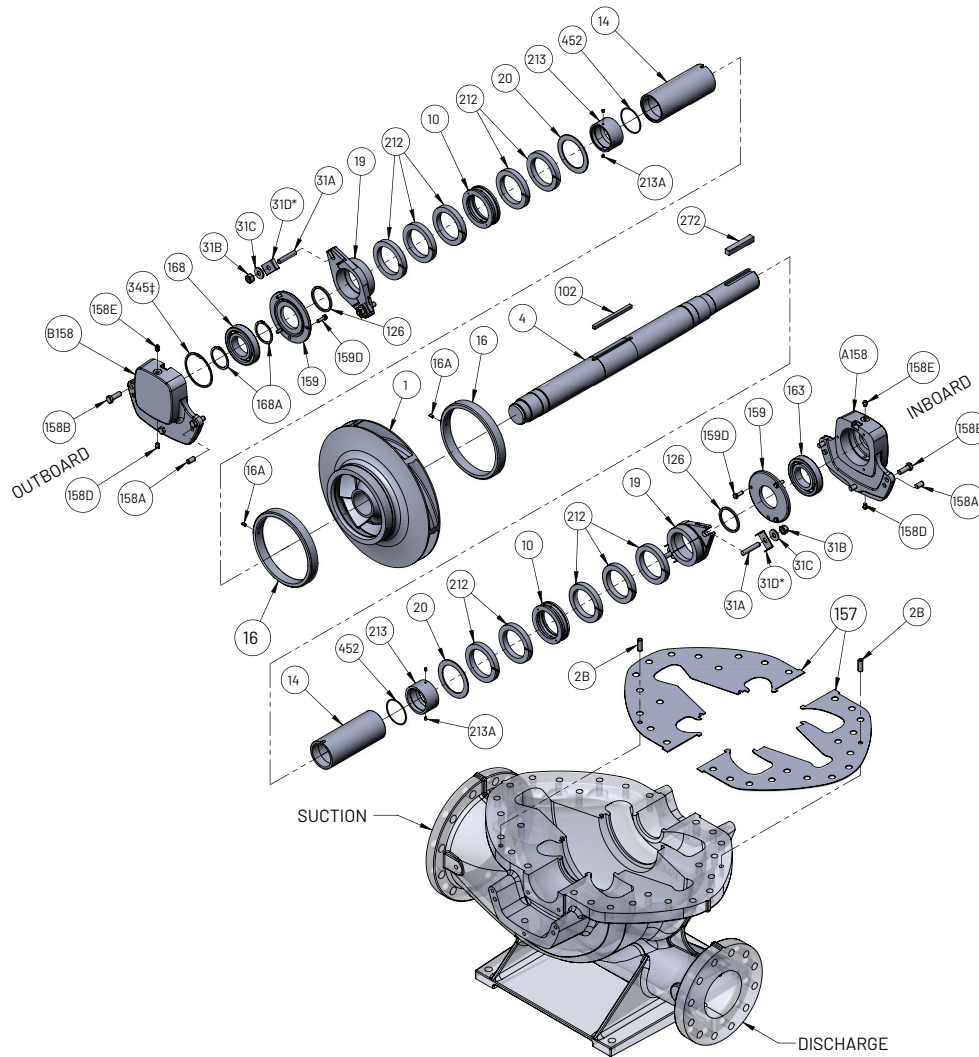
PART NO.	PART DESCRIPTION	MATERIAL CODES
		644
10	Lantern Ring	509
14	Shaft Sleeve	212
20	Stuffing Box Washer	208
31A	Gland Stud	104
31B	Gland Nut	104
31C	Gland Washer	104
31D*	Gland Clip	104
102	Impeller Key	087
126	Water Slinger	999
157	Casing Gasket	463
163	Radial Bearing	647
168	Thrust Bearing	647
168A	Retaining Ring	088
212	Packing Ring	802
213	Sleeve Nut	208
213A	Set Screw	113
272	Coupling Key	087
345‡	Retaining Ring	088
452	Shaft Sleeve O-Ring	457

### NOTES

\*PART NO. 31D IS USED FOR PUMP MODEL 4-491-8A ONLY.

‡PART NO. 345 IS USED FOR PUMP MODEL 5-492-10 & 6-492-10 ONLY.

# 491 & 492 SERIES WITH BOLT-ON BEARING ARMS - ROTATING ASSEMBLY WITH PACKING



## PARTS INCLUDED IN ROTATING ASSEMBLY WITH PACKING

NOTE: ROTATING ASSEMBLY ARRIVES PRE-ASSEMBLED FOR EASE OF INSTALLATION.

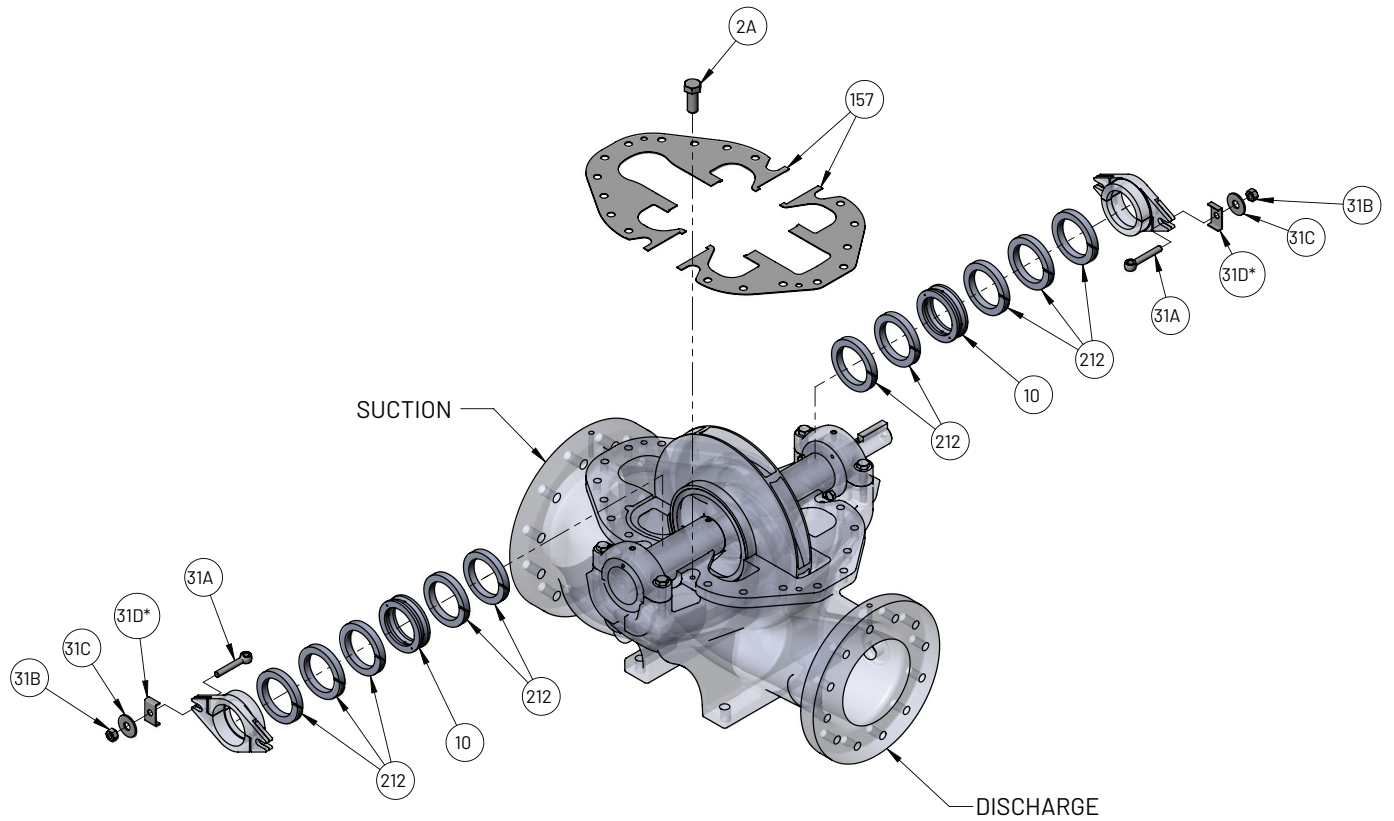
PART NO.	PART DESCRIPTION	MATERIAL CODES	PART NO.	PART DESCRIPTION	MATERIAL CODES
		644			644
1	Impeller	225	A158	Radial Bearing Cartridge	010
2B	Pin, Casing Alignment	087	B158	Thrust Bearing Cartridge	010
4	Shaft	072	158A	Pin, Bearing Housing	087
10	Lantern Ring	509	158B	Cap Screw	082
14	Shaft Sleeve	212	158D	Pipe Plug	087
16	Case Wear Ring	208	158E	Grease Fitting	651
16A	Pin, Case Wear Ring	208	159	Bearing Housing Cover	010
19	Packing Gland	104	159D	Cap Screw	082
20	Stuffing Box Washer	208	163	Radial Bearing	647
31A	Gland Stud	104	168	Thrust Bearing	647
31B	Gland Nut	104	168A	Retaining Ring	088
31C	Gland Washer	104	212	Packing Ring	802
31D*	Gland Clip	104	213	Sleeve Nut	208
102	Impeller Key	087	213A	Set Screw	113
126	Water Slinger	999	272	Coupling Key	087
157	Casing Gasket	463	345‡	Retaining Ring	088

### NOTES

\*PART NO. 31D IS USED FOR PUMP MODEL 4-491-8A ONLY.

‡PART NO. 345 IS USED FOR PUMP MODEL 5-492-10 & 6-492-10 ONLY.

# 492 SERIES WITH INTEGRAL BEARING ARMS - PACKING REPAIR KIT



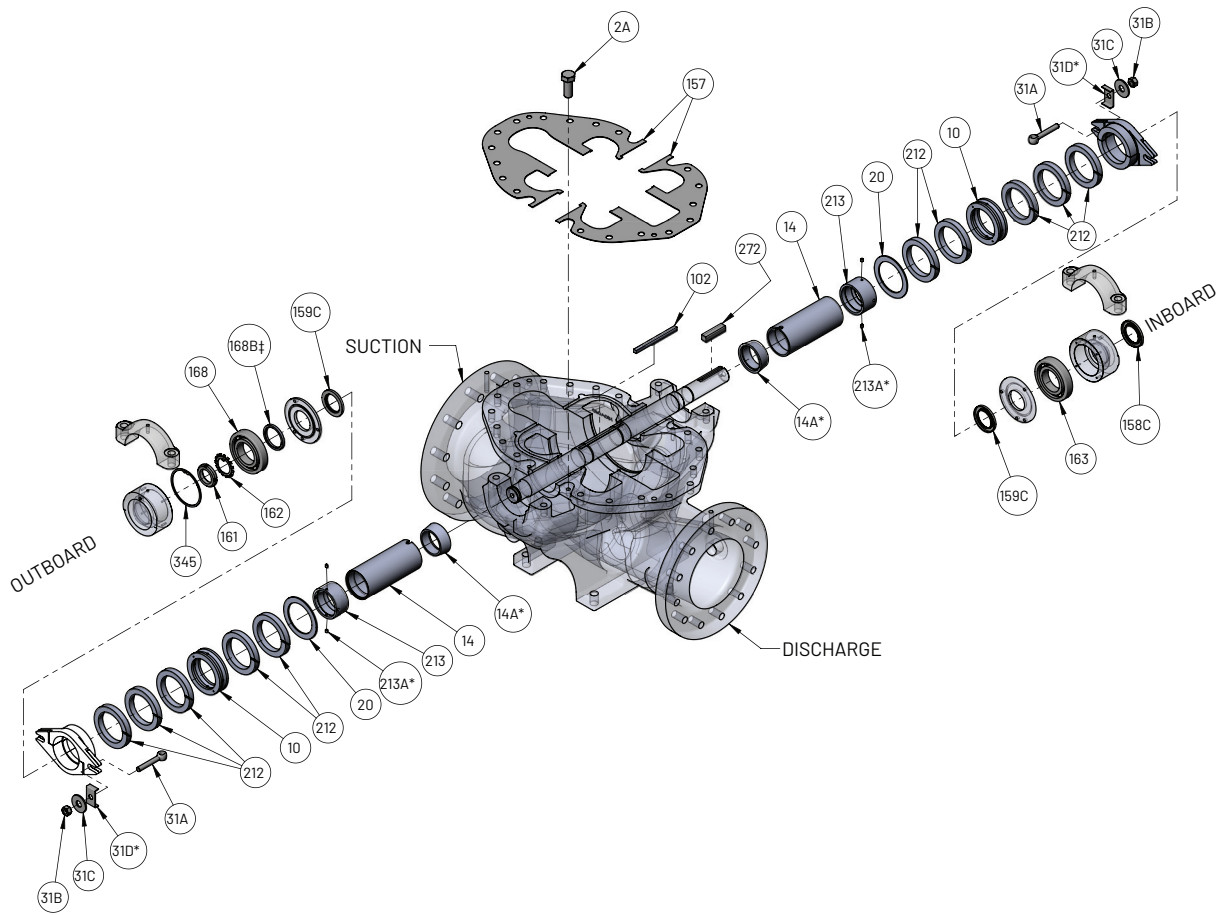
## PARTS INCLUDED IN PACKING REPAIR KIT

PART NO.	PART DESCRIPTION	MATERIAL CODES
		644
2A	Cap Screw	082
10	Lantern Ring	509
31A	Swing Bolt	104
31B	Gland Nut	104
31C	Gland Washer	104
31D*	Gland Clip	104
157	Casing Gasket	463
212	Packing Ring	802

### NOTES

\*PART NO. 31D IS USED FOR PUMP MODEL 10-492-18 ONLY.

# 492 SERIES WITH INTEGRAL BEARING ARMS - OVERHAUL KIT WITH PACKING



## PARTS INCLUDED IN OVERHAUL KIT WITH PACKING

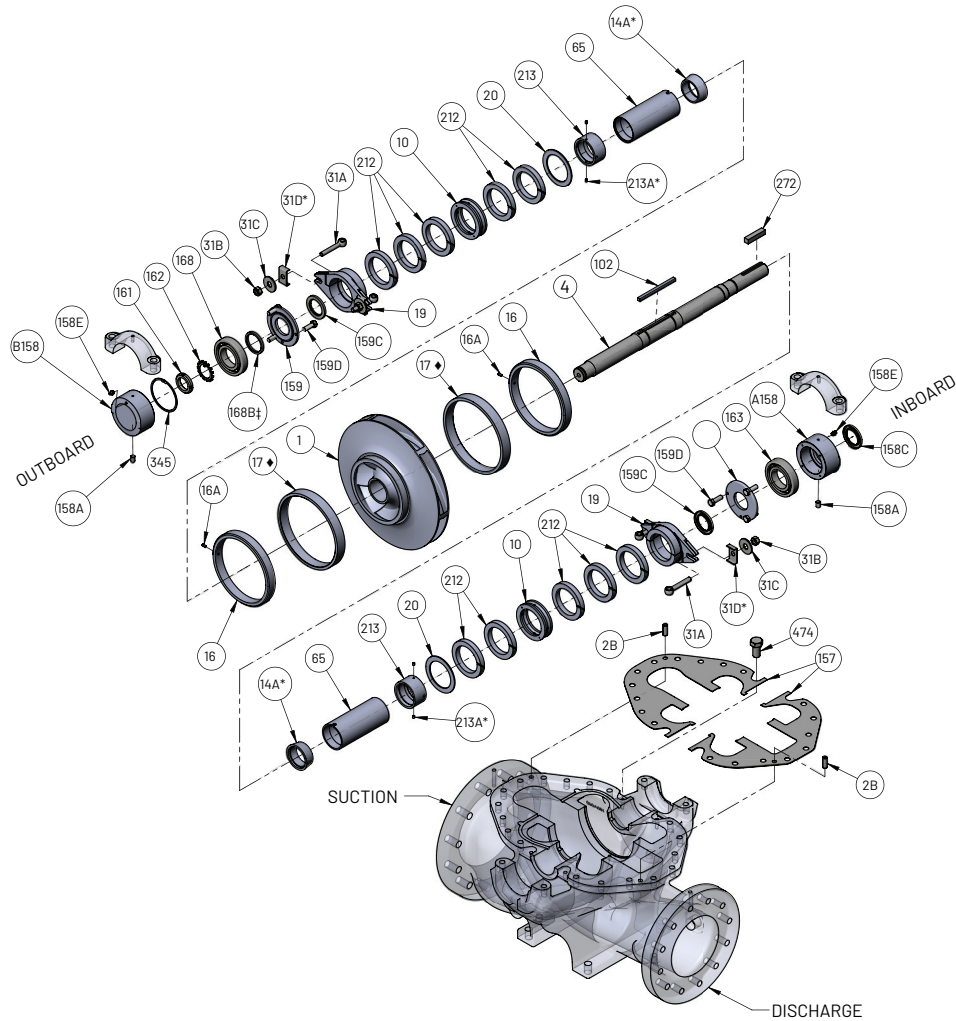
PART NO.	PART DESCRIPTION	MATERIAL CODES
		644
2A	Cap Screw	082
10	Lantern Ring	509
14	Shaft Sleeve	212
14A*	Shaft Sleeve Spacer	212
20	Stuffing Box Washer	208
31A	Swing Bolt	104
31B	Gland Nut	104
31C	Gland Washer	104
31D*	Gland Clip	104
102	Impeller Key	087
157	Casing Gasket	463
158C	Lip Seal	653
159C	Lip Seal	653
161	Lock Nut	080
162	Lock Washer	080
163	Radial Bearing	647
168	Thrust Bearing	647
168B‡	Bearing Spacer	063
212	Packing Ring	802
213	Sleeve Nut	208
213A*	Set Screw	113
272	Coupling Key	087
345	Retaining Ring	088

### NOTES

\*PART NO. 14A, #31D & #213A ARE USED FOR PUMP MODEL 10-492-18 ONLY.

‡PART NO. 168B IS USED FOR PUMP MODEL 4-492-18 ONLY.

# 492 SERIES WITH INTEGRAL BEARING ARMS - ROTATING ASSEMBLY WITH PACKING



## PARTS INCLUDED IN ROTATING ASSEMBLY WITH PACKING

NOTE: ROTATING ASSEMBLY ARRIVES PRE-ASSEMBLED FOR EASE OF INSTALLATION.

PART NO.	PART DESCRIPTION	MATERIAL CODES	PART NO.	PART DESCRIPTION	MATERIAL CODES
		644			644
1	Impeller	225	A158	Radial Bearing Cartridge	010
2A	Cap Screw	082	B158	Thrust Bearing Cartridge	010
2B	Pin, Casing Alignment	087	158A	Pin, Bearing Housing	087
4	Shaft	072	158C	Lip Seal	653
10	Lantern Ring	509	158E	Grease Fitting	651
14	Shaft Sleeve	212	159	Bearing Housing Cover	010
14A*	Shaft Sleeve Spacer	212	159C	Lip Seal	653
16	Case Wear Ring	208	159D	Cap Screw	082
16A	Pin, Case Wear Ring	087	161	Lock Nut	080
17**	Impeller Wear Ring	208	162	Lock Washer	080
19	Packing Gland	104	163	Radial Bearing	647
20	Stuffing Box Washer	208	168	Thrust Bearing	647
31A	Gland Stud	104	168B‡	Bearing Spacer	063
31B	Gland Nut	104	212	Packing Ring	802
31C	Gland Washer	104	213	Sleeve Nut	208
31D*	Gland Clip	104	213A*	Set Screw	113
102	Impeller Key	087	272	Coupling Key	087
157	Casing Gasket	463	345	Retaining Ring	088

### NOTES

\*PART NOS. 14A, 31D & 213A ARE USED FOR PUMP MODEL 10-492-18 ONLY.

‡PART NO. 168B IS USED FOR PUMP MODEL 4-492-18 ONLY.

\*\*PART NO. 17 IS USED FOR PUMP MODEL 3-492-10A ONLY.

## 490 SERIES KIT SELECTION TABLE

PUMP SIZE	PACKING KIT	OVERHAUL KIT	ROTATING ASSEMBLY
3-491-9A	476-0946-644	476-0974-644	700-0708-644
3-491-9C	476-0946-644	476-0974-644	700-0709-644
4-491-8A	476-0947-644	476-0975-644	700-0710-644
4-491-11A	476-0948-644	476-0976-644	700-0711-644
4-491-11C	476-0948-644	476-0976-644	700-0712-644
4-491-14C	476-0949-644	476-0977-644	700-0713-644
5-491-14A	476-0950-644	476-0978-644	700-0714-644
5-491-18A	476-0951-644	476-0979-644	700-0715-644
6-491-12A	476-0952-644	476-0980-644	700-0716-644
6-491-12B	476-0952-644	476-0980-644	700-0951-644
6-491-14A	476-0953-644	476-0981-644	700-0717-644
6-491-14C	476-0953-644	476-0981-644	700-0718-644
6-491-18C	476-0954-644	476-0982-644	700-0719-644
6-491-19A	476-0955-644	476-0983-644	700-0720-644
8-491-14A	476-0956-644	476-0984-644	700-0721-644
8-491-18A	476-0957-644	476-0985-644	700-0722-644
10-491-20	476-0958-644	476-0986-644	700-0723-644
3-492-10A	476-0920-644	476-0921-644	700-0707-644
4-492-18	476-0960-644	476-0988-644	700-0725-644
5-492-10	476-0961-644	476-0989-644	700-0726-644
6-492-10	476-0963-644	476-0991-644	700-0729-644
6-492-18	476-0965-644	476-0993-644	700-0731-644
10-492-18	476-0969-644	476-0997-644	700-0736-644





## STANDARD LIMITED WARRANTY

---

Seller warrants equipment (and its component parts) of its own manufacture against defects in materials and workmanship under normal use and service for one (1) year from the date of installation or start-up, or for eighteen (18) months after the date of shipment, whichever occurs first. Seller does not warrant accessories or components that are not manufactured by Seller; however, to the extent possible, Seller agrees to assign to Buyer its rights under the original manufacturer's warranty, without recourse to Seller. Buyer must give Seller notice in writing of any alleged defect covered by this warranty (together with all identifying details, including the serial number, the type of equipment, and the date of purchase) within thirty (30) days of the discovery of such defect during the warranty period. No claim made more than 30 days after the expiration of the warranty period shall be valid. Guarantees of performance and warranties are based on the use of original equipment manufactured (OEM) replacement parts. Seller assumes no responsibility or liability if alterations, non-authorized design modifications and/or non-OEM replacement parts are incorporated. If requested by Seller, any equipment (or its component parts) must be promptly returned to Seller prior to any attempted repair, or sent to an authorized service station designated by Seller, and Buyer shall prepay all shipping expenses. Seller shall not be liable for any loss or damage to goods in transit, nor will any warranty claim be valid unless the returned goods are received intact and undamaged as a result of shipment. Repaired or replaced material returned to customer will be shipped F.O.B., Seller's factory. Seller will not give Buyer credit for parts or equipment returned to Seller, and will not accept delivery of any such parts or equipment, unless Buyer has obtained Seller's approval in writing. The warranty extends to repaired or replaced parts of Seller's manufacture for ninety (90) days or for the remainder of the original warranty period applicable to the equipment or parts being repaired or replaced, whichever is greater. This warranty applies to the repaired or replaced part and is not extended to the product or any other component of the product being repaired. Repair parts of its own manufacture sold after the original warranty period are warranted for a period of one (1) year from shipment against defects in materials and workmanship under normal use and service. This warranty applies to the replacement part only and is not extended to the product or any other component of the product being repaired. Seller may substitute new equipment or improve part(s) of any equipment judged defective without further liability. All repairs or services performed by Seller, which are not covered by this warranty, will be charged in accordance with Seller's standard prices then in effect.

THIS WARRANTY IS THE SOLE WARRANTY OF SELLER AND SELLER HEREBY EXPRESSLY DISCLAIMS AND BUYER WAIVES ALL OTHER WARRANTIES EXPRESSED, IMPLIED IN LAW OR IMPLIED IN FACT, INCLUDING ANY WARRANTIES OF MERCHANTABILITY OR FITNESS FOR A PARTICULAR PURPOSE. Seller's sole obligation under this warranty shall be, at its option, to repair or replace any equipment (or its component parts) which has a defect covered by this warranty, or to refund the purchase price of such equipment or part. Under the terms of this warranty, Seller shall not be liable for (a) consequential, collateral, special or liquidated losses or damages; (b) equipment conditions caused by normal wear and tear, abnormal conditions of use, accident, neglect, or misuse of said equipment; (c) the expense of, and loss or damage caused by, repairs or alterations made by anyone other than the Seller; (d) damage caused by abrasive materials, chemicals, scale deposits, corrosion, lightning, improper voltage, mishandling, or other similar conditions; (e) any loss, damage, or expense relating to or resulting from installation, removal or reinstallation of equipment; (f) any labor costs or charges incurred in repairing or replacing defective equipment or parts, including the cost of reinstalling parts that are repaired or replaced by Seller; (g) any expense of shipment of equipment or repaired or replacement parts; or (h) any other loss, damage or expense of any nature.

The above warranty shall not apply to any equipment which may be separately covered by any alternate or special warranties.

**PERFORMANCE:** In the absence of Certified Pump Performance Tests, equipment performance is not warranted or guaranteed. Performance curves and other information submitted to Buyer are approximate and no warranty or guarantee shall be deemed to arise as a result of such submittal. All testing shall be done in accordance with Seller's standard policy under Hydraulic Institute procedures.

**LIABILITY LIMITATIONS:** Under no circumstances shall the Seller have any liability under the Order or otherwise for liquidated damages or for collateral, consequential or special damages or for loss of profits, or for actual losses or for loss of production or progress of construction, regardless of the cause of such damages or losses. In any event, Seller's aggregate total liability under the Order or otherwise shall not exceed the contract price.

**ACTS OF GOD:** Seller shall in no event be liable for delays in delivery of the equipment or other failures to perform caused by fires, acts of God, strikes, labor difficulties, acts of governmental or military authorities, delays in transportation or procuring materials, or causes of any kind beyond Seller's control.

**COMPLIANCE WITH LAW:** Seller agrees to comply with all United States laws and regulations applicable to the manufacturing of the subject equipment. Such compliance shall include: The Fair Labor Standards Acts of 1938, as amended; Equal Employment Opportunity clauses of Executive Order 11246, as amended; Occupational Safety and Health Act of 1970 and the standards promulgated thereunder, if applicable. Since compliance with the various Federal, State, and Local laws and regulations concerning occupational health and safety, pollution or local codes are affected by the use, installation and operation of the equipment and other matters over which Seller has no control, Seller assumes no responsibility for compliance with those laws and regulations, whether by way of indemnity, warranty, or otherwise. It is incumbent upon the Buyer to specify equipment which complies with local codes and ordinances.



800 Airport Road | North Aurora, Illinois 60542 | Ph: 630.859.7000 | [pentair.com/aurora](http://pentair.com/aurora)

All indicated Pentair trademarks and logos are property of Pentair. Third party registered and unregistered trademarks and logos are the property of their respective owners.

©2025 Pentair. All Rights Reserved.