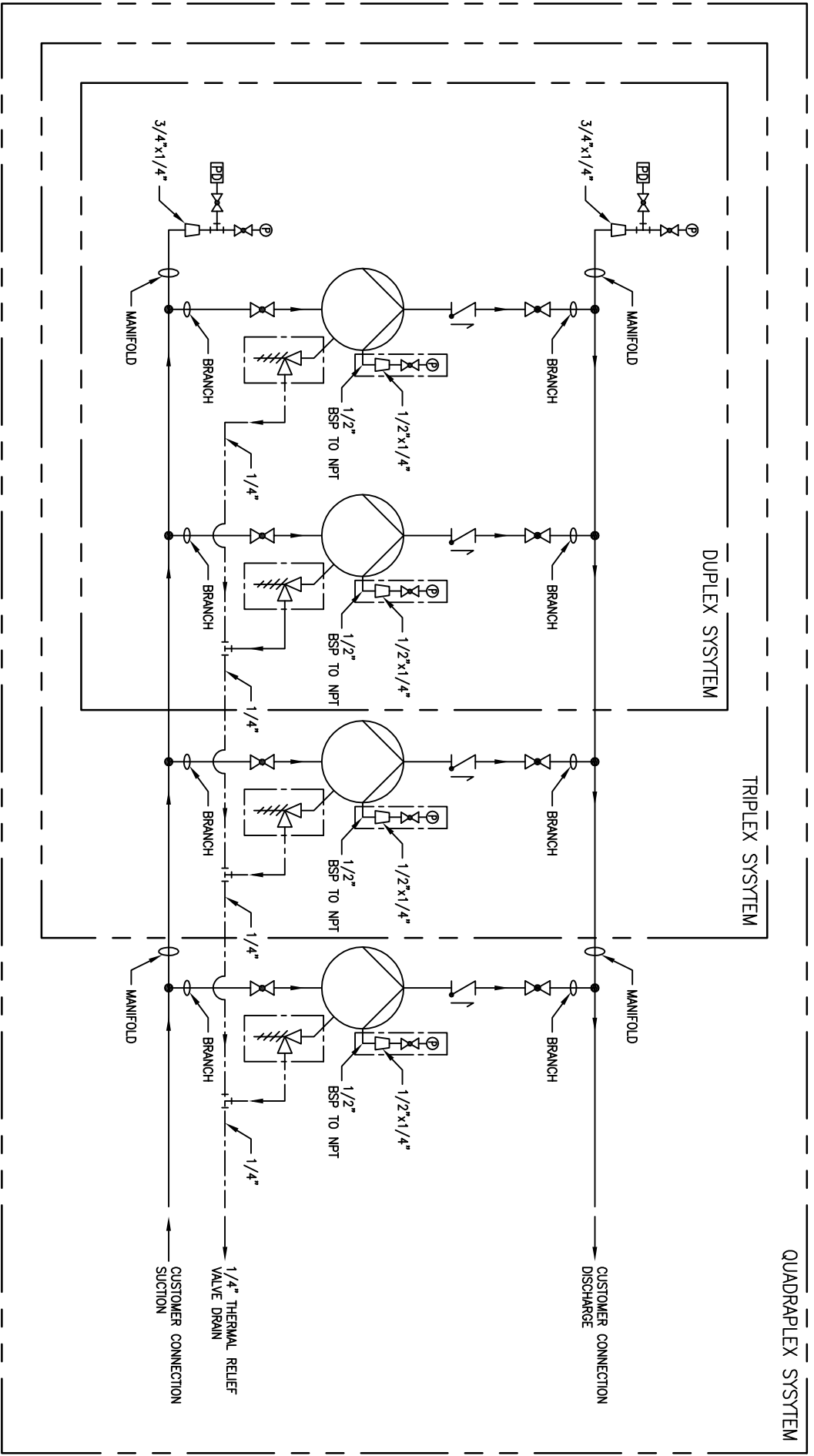


LEGENDS	
	BUTTERFLY VALVE
	CHECK VALVE
	THERMAL RELIEF VALVE
	INCRASFER/REDUCER
	PRESSURE GAUGE
	PRESSURE TRANSDUCER
	PUMP



PWM[X] PUMP	MANIFOLD	BRANCH
PWM[X] 1, 3 & 5	3"	1-1/4"
PWM[X] 10 & 15	4"	2"
PWM[X] 20	6"	2"
PWM[X] 33	6"	2-1/2"

OPTIONAL FEATURES

NOTES:

REV	ZONE	DATE	BY	CHKD	DESCRIPTION
A	ALL	09/27/16	CS	SM	INITIAL RELEASE

STANDARD DIMENSIONS UNLESS OTHERWISE SPECIFIED

NOTES:
1. PUMP AND MOTOR SHALL BE AS SPECIFIED IN THE PUMP AND MOTOR SCHEDULE.
2. ALL DIMENSIONS ARE IN INCHES UNLESS OTHERWISE SPECIFIED.
3. ALL DIMENSIONS MUST BE FROM SCALE UNLESS OTHERWISE SPECIFIED.
4. ALL DIMENSIONS MUST BE FROM SCALE UNLESS OTHERWISE SPECIFIED.
5. ALL DIMENSIONS MUST BE FROM SCALE UNLESS OTHERWISE SPECIFIED.

DO NOT SCALE DRAWING	SCALE	1:1
PATTERN NUMBER		

COMPANY CONFIDENTIAL. Information contained herein is confidential. It is the property of PENTAIR. It is to be used solely for the purpose provided, and it is not to be disclosed to others without the prior written consent of PENTAIR.

PENTAIR

INTELLIBOOST BOOSTER SYSTEM

P & I DIAGRAM

DRAWN BY: CS DATE: 05/31/16 CHECKED BY: SM
 PART NUMBER: ID PART NUMBER: 295 0006 0001 REV: A