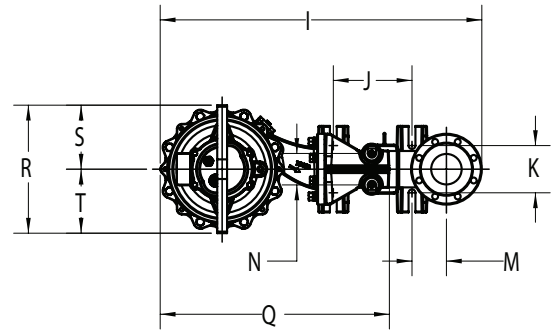
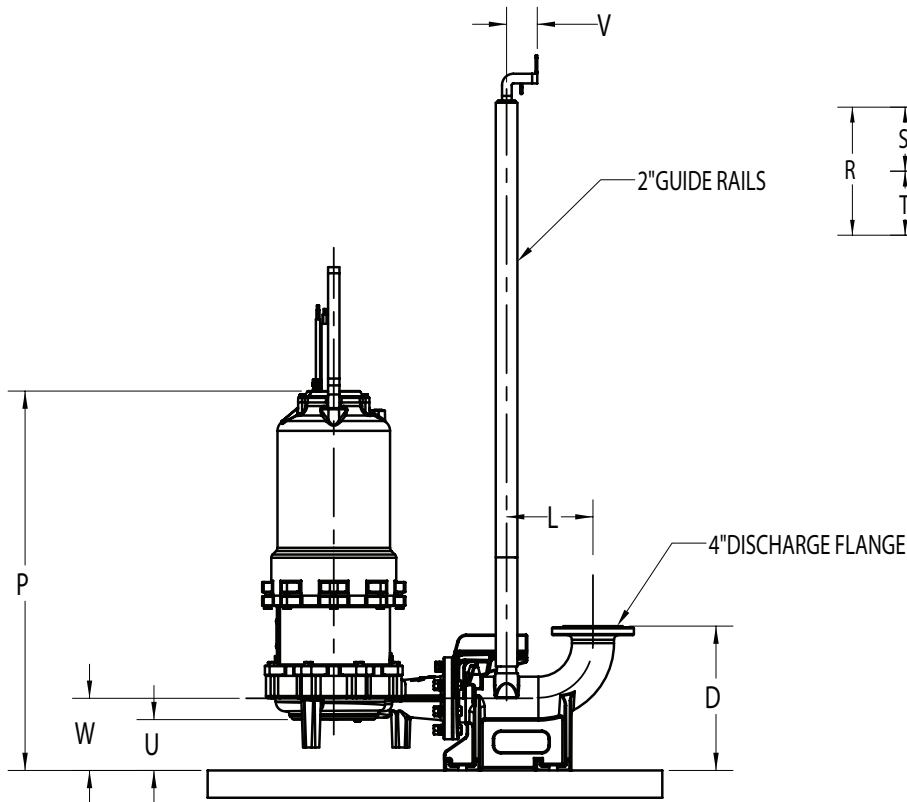


4" MTM(X) RAIL SYSTEM

4SD MODEL PUMP



ITEM	DIMENSION
D	15-7/8"
I	40-7/8"
J	10"
K	6"
L	9-1/2"
M	4-3/8"
N	4"
P	41-3/4"
Q	29-1/8"
R	16-1/4"
S	8-1/8"
T	8-1/8"
U	5-5/8"
V	3-3/8"
W	8"

All dimensions in inches.

1101 Myers Parkway
Ashland, OH 44805
Ph: 855.274.8947
Fx: 800.426.9446

490 Pinebush Rd., Unit 4
Cambridge, Ontario N1T 0A5, Canada
Ph: 800.363.7867
Fx: 888.606.5484

pentair.com/hydromatic