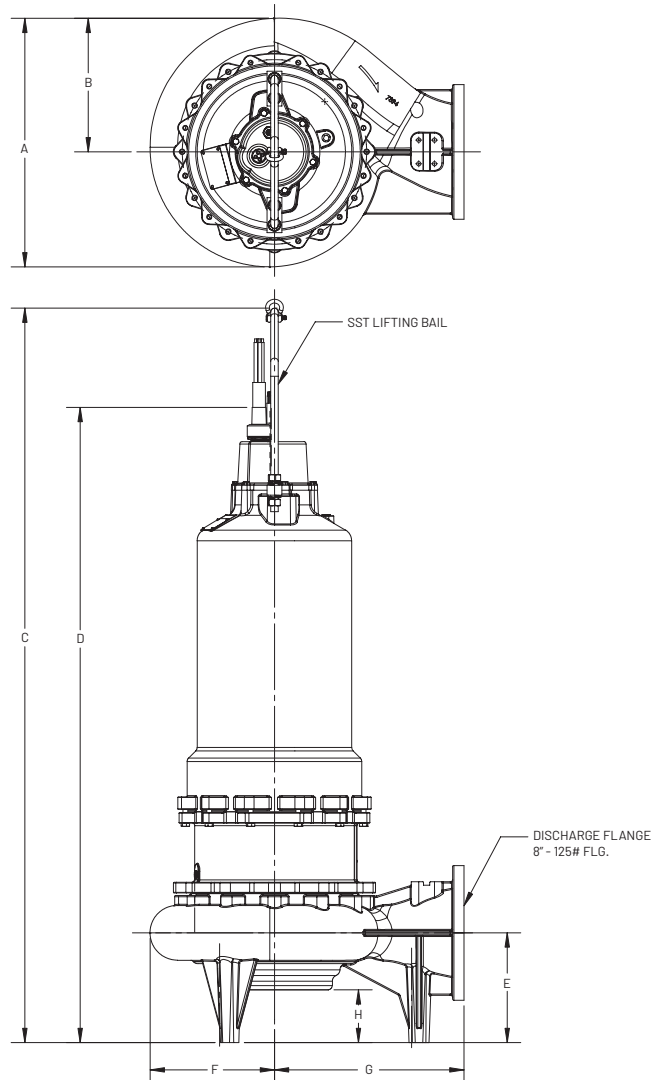


SUBMERSIBLE SOLIDS HANDLING PUMPS

S8LA(X)P FRAME SIZE: 320



MODEL	A	B	C	D	E	F	G	H
S8LA(X)P	24-15/16	13-7/16	73-5/8	63-3/4	11	12-1/2	19	5-3/16

All measurements in inches.

NOTE: CASTING DIMENSIONS MAY VARY ± 1/8"

1101 Myers Parkway
Ashland, OH 44805
Ph: 855.274.8947
Fx: 800.426.9446

490 Pinebush Rd., Unit 4
Cambridge, Ontario N1T 0A5, Canada
Ph: 800.363.7867
Fx: 888.606.5484

pentair.com