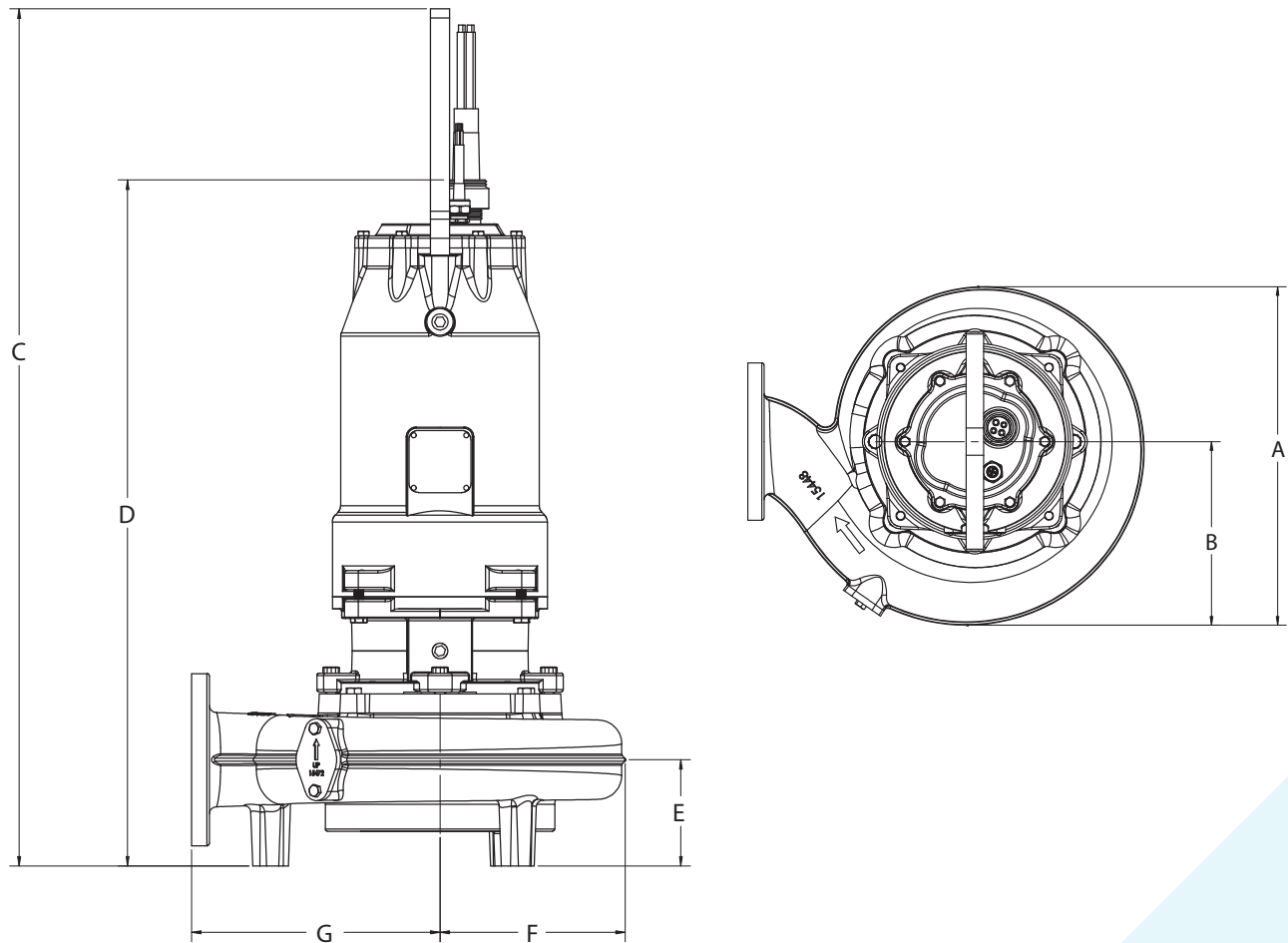


SUBMERSIBLE SOLIDS HANDLING PUMPS

MNG4SD(X), MNG4HD(X), MNG6MD(X) SERIES



MODEL	A	B	C	D	E	F	G
MNG4SD(X)	16.27	8.14	52.82	41.28	5.41	7.88	13.00
MNG4HD(X)	18.64	9.90	54.10	42.50	6.41	9.32	13.00
MNG6MD(X)	19.50	10.86	54.01	42.47	6.00	9.75	13.00

All measurements in inches.

1101 Myers Parkway
Ashland, OH 44805
Ph: 855.274.8948
Fx: 800.426.9446

490 Pinebush Rd., Unit 4
Cambridge, Ontario N1T 0A5, Canada
Ph: 800.363.7867
Fx: 888.606.5484

pentair.com/myers