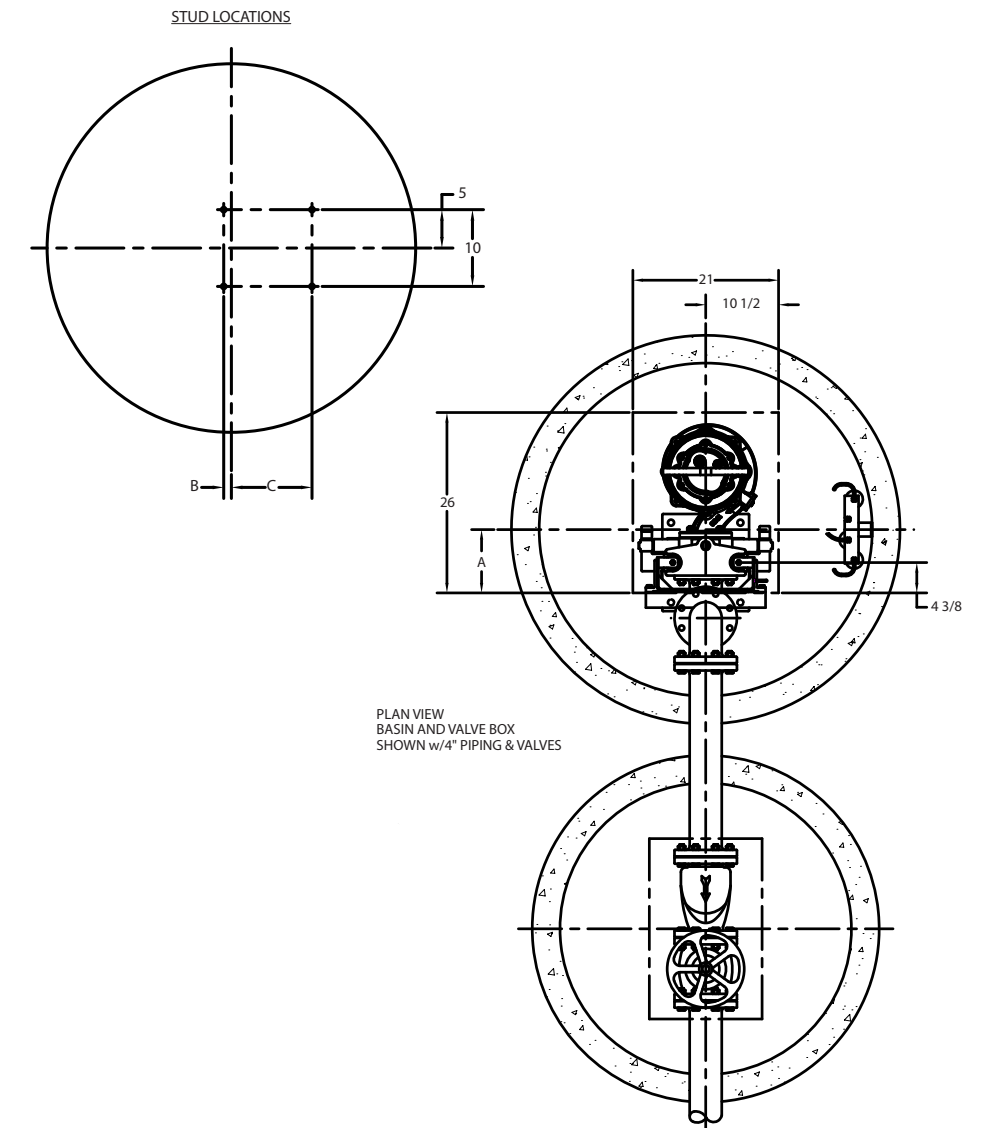
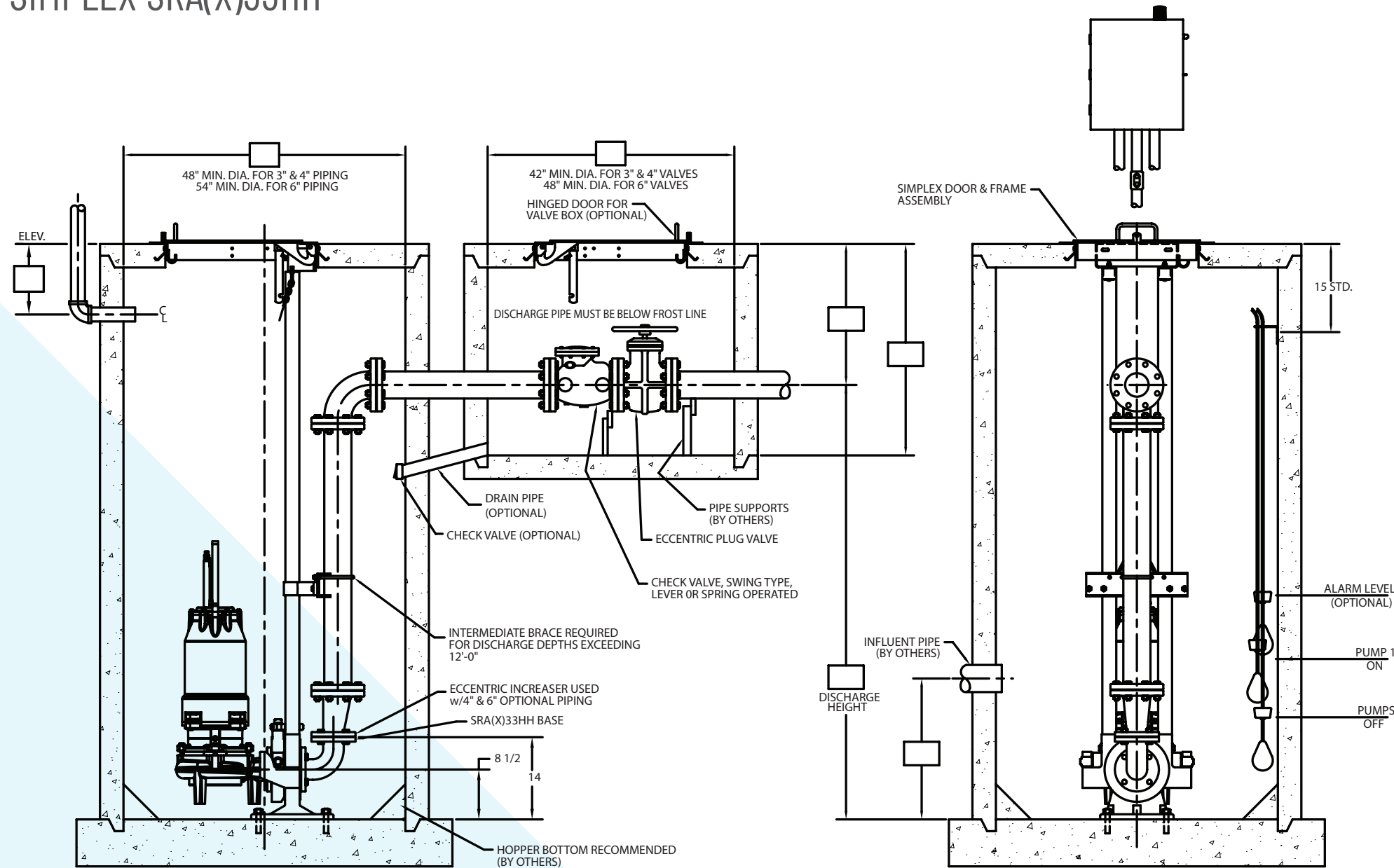


SUBMERSIBLE SOLIDS HANDLING PUMP

SIMPLEX SRA(X)33HH



FOR MODELS: 33C

MIN. SUMP DIA.	MIN. VALVE BOX DIA.	PIPING SIZE	A	B	C
4' - 0"	3' - 6"	3"	9-1/8	1"	10-1/2"
4' - 0"	3' - 6"	4"	10-1/8	0"	11-1/2"
4' - 6"	4' - 0"	6"	10-1/8	0"	11-1/2"

1101 Myers Parkway
Ashland, OH 44805
Ph: 855.274.8948
Fx: 800.426.9446

490 Pinebush Rd., Unit 4
Cambridge, Ontario N1T 0A5, Canada
Ph: 800.363.7867
Fx: 888.606.5484

pentair.com/myers

All indicated Pentair trademarks and logos are property of Pentair. Third party registered and unregistered trademarks and logos are the property of their respective owners.

©2024 Pentair. All Rights Reserved.

MY12703 (01-08-24)