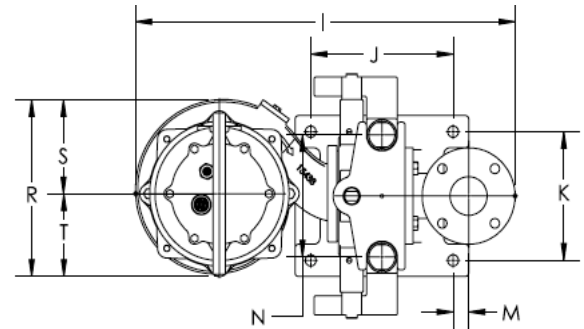
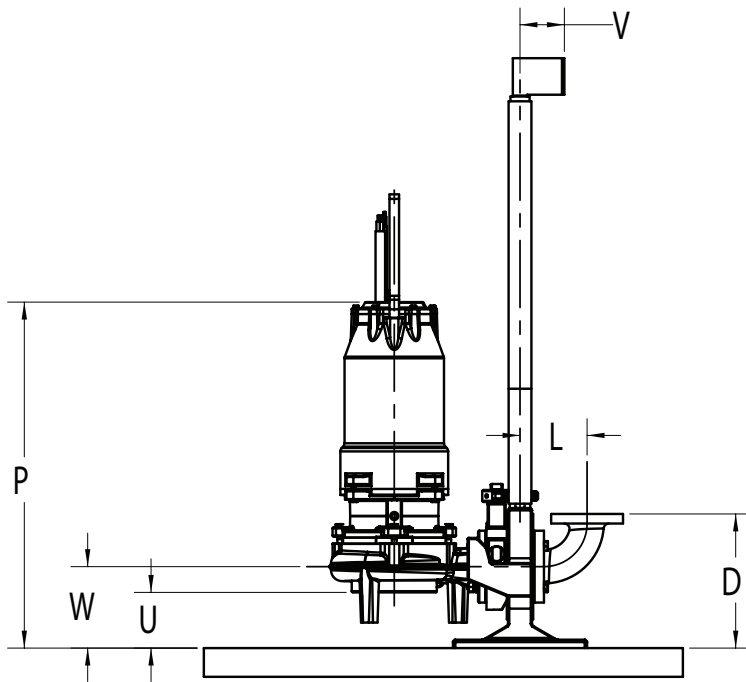


# SRA(X)33HH RAIL SYSTEM

## 3SC MODEL PUMP



ITEM	DIMENSION
D	14"
I	30-11/16"
J	11-1/2"
K	10"
L	7"
M	1-1/4"
N	9-1/2"
P	36-1/8"
Q	21-3/4"
R	13-3/4"
S	7-5/16"
T	6-7/16"
U	5-13/16"
V	4-5/8"
W	8-1/2"

All dimensions in inches.

1101 Myers Parkway  
Ashland, OH 44805  
Ph: 855.274.8948  
Fx: 800.426.9446

490 Pinebush Rd., Unit 4  
Cambridge, Ontario N1T 0A5, Canada  
Ph: 800.363.7867  
Fx: 888.606.5484

[pentair.com/myers](http://pentair.com/myers)