

## PERFORMANCE DATA SHEET

This system has been tested according to NSF/ANSI Standard 53 for the reduction of the substances listed below. The concentration of the indicated substances in water entering the system was reduced to a concentration less than or equal to the permissible limit for water exiting the system, as specified in NSF/ANSI Standard 53. Testing was performed under standard laboratory conditions; actual performance may vary.

Substance	Influent Challenge Concentration	Max. Permissible Product Water Concentration	Reduction Requirements	Average Reduction
Standard 53				
Perfluorooctanoic Acid (PFOA) and Perfluorooctane Sulfonate (PFOS)	0.0015 mg/L ± 10%	0.00007 mg/L	n/a	98.20%

Flow Rate = 1 gpm (3.79 L/min); Capacity = 1,000 gallons (3,785.41 L) or 12 months

## TROUBLESHOOTING

### Leaks:

#### Between Cap and Bottom of Filter Housing:

1. Turn off water supply and press the red pressure-relief button. Remove bottom of the housing.
2. Clean O-ring and O-ring groove (located directly beneath threads of housing). Lubricate the O-ring with silicone lubricant and replace securely into groove. Screw bottom of filter housing onto cap and hand-tighten. **Do Not Overtighten.**

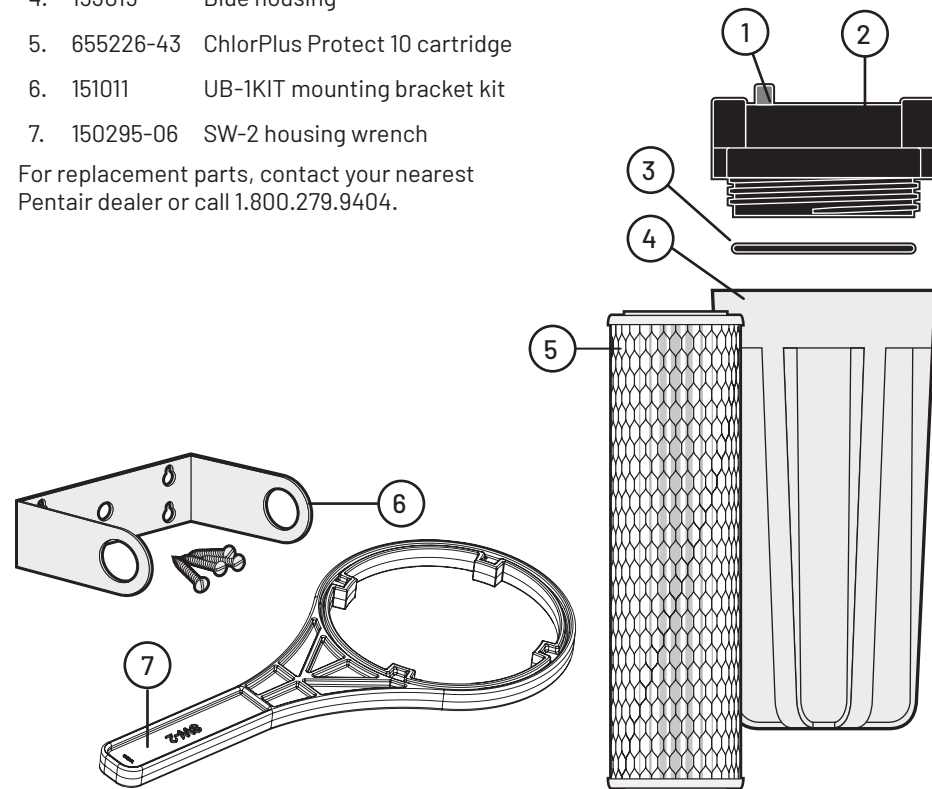
#### On Inlet/Outlet Connections:

1. Turn off water supply. For brass fittings, tighten nut snugly about 1/2-turn with a wrench.
2. Turn on water supply. If leaks persist, or if there are other leaks on the system, turn off water supply. Call Pentair Technical Support at 1.800.279.9404.

## REPLACEMENT PARTS

1. 151039 Pressure-relief button kit
2. 154101 Black cap (W/PR 3/4")
3. 151120 O-ring, cap
4. 153019 Blue housing
5. 655226-43 ChlorPlus Protect 10 cartridge
6. 151011 UB-1KIT mounting bracket kit
7. 150295-06 SW-2 housing wrench

For replacement parts, contact your nearest Pentair dealer or call 1.800.279.9404.



For Pentair product warranties visit: [pentair.com/assets/residential-filtration-warranty](https://pentair.com/assets/residential-filtration-warranty)



# CHLORPLUS™ PROTECT 10 WATER FILTRATION SYSTEM

## INSTALLATION AND OPERATING INSTRUCTIONS

### OPERATING SPECIFICATIONS

Pressure Range:	30–125 psi (2.1–8.6 bar)
Flow Rate:	1 gpm (3.78 Lpm)
Capacity:	1,000 gallons (3,785 L)
Temperature Range:	40–100°F (4.4–37.7°C)

### PARTS INCLUDED

- 10" filter housing
- ChlorPlus Protect 10 cartridge
- Filter housing cap
- O-ring
- Mounting bracket kit
- Screw kit
- Housing wrench

### TOOLS AND MATERIALS REQUIRED (not included)

- Appropriate fittings and pipe to install filter
- Phillips head screwdriver
- Plumber's tape
- Adjustable wrenches (2)
- File
- Pipe cutters or hacksaw
- Pencil

### PRECAUTIONS

**WARNING:** Do not use with water that is microbiologically unsafe or of unknown quality without adequate disinfection before or after the system.

**CAUTION:** Filter must be protected against freezing, which can cause cracking of the filter and water leakage.

**CAUTION:** The rubber O-ring provides the watertight seal between the cap and the bottom of the housing. It is important that the O-ring be properly seated in the groove below the threads of the housing or a water leak could occur.

**CAUTION:** Because of the product's limited service life and to prevent costly repairs or possible water damage, we strongly recommend that the bottom of all plastic housings be replaced every 10 years for opaque. If the bottom of your housing has been in use for longer than this period, it should be replaced immediately. Date the bottom of any new or replacement housing to indicate the next recommended replacement date.



13845 Bishops Dr. | Suite 200 | Brookfield, WI 53005 | United States  
P: 262.238.4400 | Customer Service: 800.279.9404  
[tech-support@pentair.com](mailto:tech-support@pentair.com) | [pentair.com](https://pentair.com)

All indicated Pentair trademarks and logos are property of Pentair. Third party registered and unregistered trademarks and logos are the property of their respective owners.

©2022 Pentair. All Rights Reserved.



The ChlorPlus Protect 10 system is certified by IAPMO R&T against NSF/ANSI 53 for the reduction of perfluorooctanoic acid (PFOA) and perfluorooctane sulfonate (PFOS).

**NOTE:**

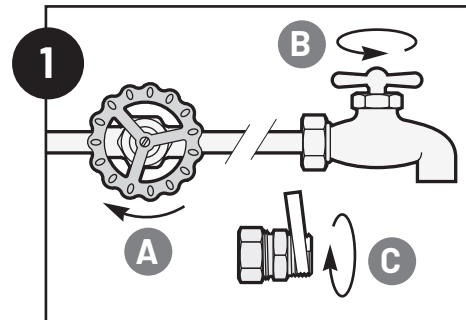
- For cold water use only
- Do not install where system will be exposed to direct sunlight.
- Make certain that installation complies with all state and local laws and regulations.
- The contaminants or other substances removed or reduced by the selected filter cartridge are not necessarily in your water. Ask your local water municipality for a copy of their water analysis, or have your water tested by a reputable water testing lab.
- After prolonged periods of non-use (such as during a vacation) it is recommended that the system be flushed thoroughly. Let water run for five (5) to six (6) minutes before using.
- The filter cartridge used with this system has a limited service life. If there are any changes in taste, odor, color, and/or flow of the filtered water, please replace the filter cartridge.
- Spent adsorption media will not be regenerated and used.

**INSTALLATION**

**NOTE:**

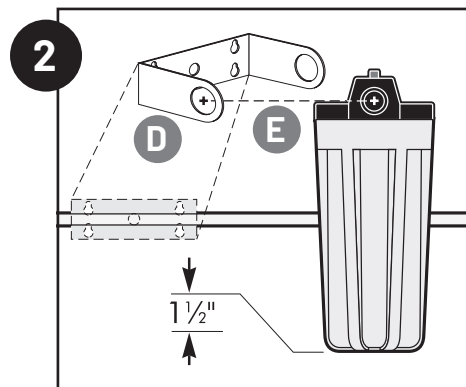
- Please read all instructions, specifications, and precautions before installing and using this filter.
- For installation on standard 1/2" or 3/4" main water line (galvanized, copper or plastic pipe).
- Only use plumber's tape for fitting housing connections.
- Install filter cartridge in filter housing according to the filter cartridge replacement instructions on p.4 before proceeding with installation. See *Filter Cartridge Selection Guide* on p.5 to determine the best filter cartridge for your filtration needs.
- Install filter cartridge after water meter or pressure tank.
- Numbered diagrams correspond with numbered steps.

1. [A] Turn off cold water supply, and open nearest faucet [B] to release pressure in pipes before starting installation.



[C] Apply about 6" of plumber's tape in clockwise direction to pipe threads of each adapter.

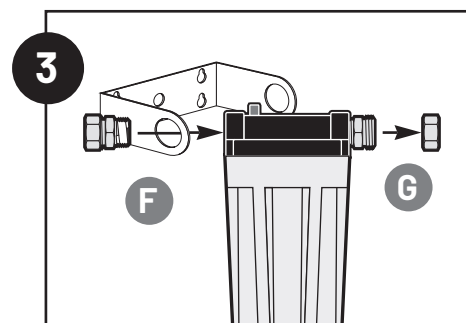
2. [D] If mounting bracket is to be used, use bracket as a template to mark screw locations on wall. Insert mounting screws into wall.



[E] Leave a space the thickness of a nickel (2mm) between the head of the screw and the wall to slip bracket onto screws. Then place bracket over the cap and align with inlet and outlet ports.

**NOTE:** Allow 1 1/2" clearance below housing to enable filter cartridge changes.

3. [F] Assemble all fittings. Start adapters into cap by hand. Use a wrench to tighten firmly. **DO NOT OVERTIGHTEN.** About one thread should remain visible.

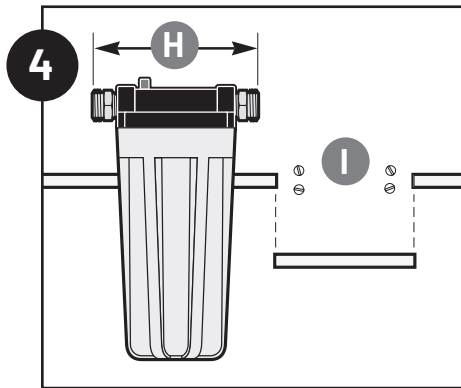


[G] Remove compression nuts from fittings.

**NOTE:** If using mounting bracket, be sure to insert fittings through bracket before threading into filter cap.

**INSTALLATION CONTINUED**

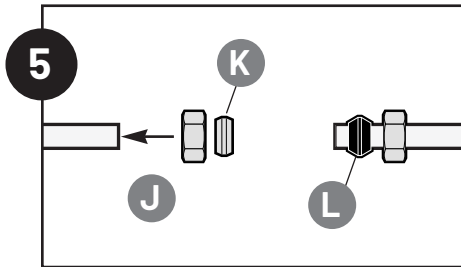
4. [H] Measure length across assembled fittings and subtract 1" for 3/4" pipe or 1 1/2" for 1/2" pipe. Mark section of pipe to be removed.



**NOTE:** Approximately 6" will be removed for 3/4" pipe and 5 1/4" for 1/2" pipe.

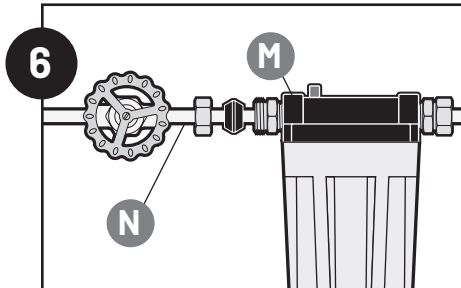
[I] Using a pipe cutter or hacksaw, cut pipe and remove marked section. File or sand sharp edges on remaining pipe.

5. [J] Slip brass compression nut and brass ferrule [K] onto each end of 3/4" pipe.



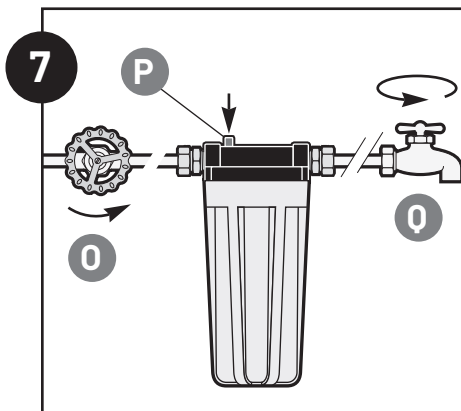
[L] If installing on 1/2" pipe, substitute rubber ferrule for brass ferrule.

6. [M] Align filter assembly with ends of pipe, making certain cap opening marked "IN" is facing your incoming water supply [N]. It will be necessary to spread ends of pipe apart to install filter assembly. Using two (2) adjustable wrenches, hold inlet adapter securely with one wrench and tighten with second wrench. Repeat process for outlet adapter.



**NOTE:** If using mounting bracket, be sure to slip bracket over screws in wall (see step 2).

7. [O] Slowly turn on water supply to allow filter to fill with water. [P] Depress red pressure-relief button on top of cap to release trapped air. Check for leaks. [Q] Open nearest faucet and flush filter cartridge for five (5) minutes.



**CAUTION:** If water pipes are used to ground electrical systems, appliances, or phones, be sure to install a jumper wire. Contact a qualified electrician with any questions about your home's electrical system.

**FILTER CARTRIDGE REPLACEMENT**

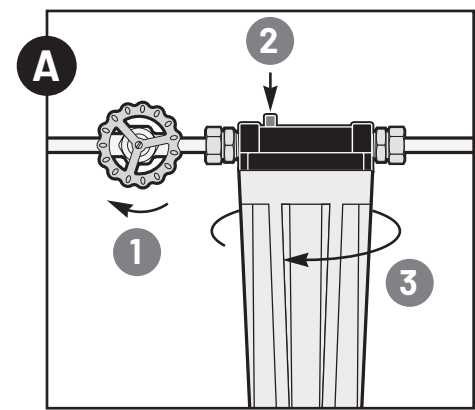
**WARNING:** Use safety glasses when handling household bleach to prevent bodily injury. Follow bleach manufacturer's instructions when handling bleach.

- A. [1] Turn off cold water supply, open nearest faucet.

**NOTE:** This will shut off all water flow within the household. Fill a bucket with water to clean housing after it has been removed.

[2] Depress red pressure-relief button to release pressure.

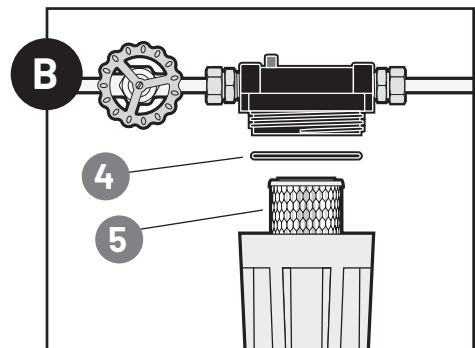
[3] Remove bottom of the housing by turning clockwise.



- B. [4] Locate and remove the large O-ring, wipe clean of lubricant and set aside.

[5] Discard used cartridge. Rinse out bottom of the housing and fill 1/3 full with water. Add two (2) tablespoons of bleach and scrub cap and bottom of the housing with non-abrasive sponge or cloth. Rinse thoroughly.

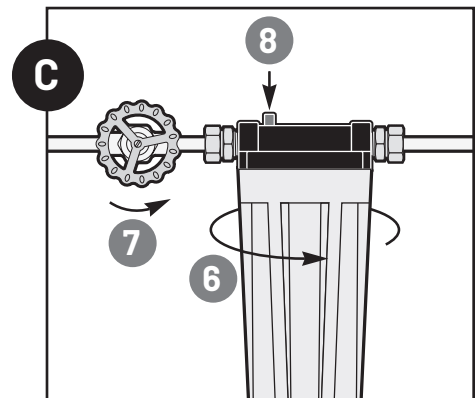
Lubricate the O-ring [4] with clean silicone grease. Insert the O-ring back into groove and smooth into place with finger.



**NOTE:** This step is important to ensure proper housing seal. Make sure the O-ring is seated level in the groove.

Insert new cartridge [5] over standpipe in bottom of the housing.

- C. [6] Screw bottom of the housing onto the cap and hand-tighten. **DO NOT OVERTIGHTEN.** Make certain cap standpipe slips into cartridge.



[7] Slowly open the cold water supply 1/4-turn counterclockwise to allow the filter to fill with water.

[8] Depress red pressure-relief button (if present) to release trapped air. Flush cartridge for five (5) minutes before use. Flush again for 10 minutes before using water.

Check for leaks before leaving installation.

**MAINTENANCE:**

The filter must be maintained according to manufacturer's instructions, including replacement of filter cartridge. Contact your nearest Pentair dealer for replacement cartridges or call 1.800.279.9404 for help locating a Pentair dealer.