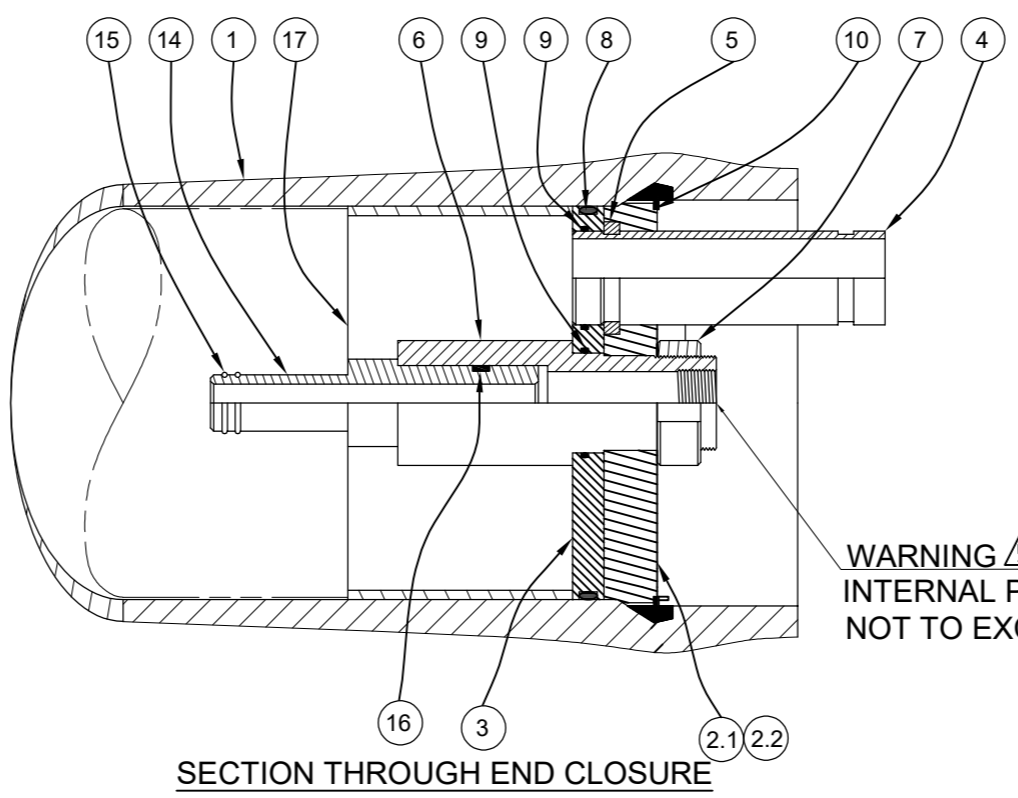


1200  
PSI

DWG REF	QTY	PART NUMBER	DESCRIPTION	MATERIAL
<b>SHELL</b>				
1*	1	99305	SHELL	Filament Wound Epoxy/Glass composite - Head locking grooves integrally wound in place.
<b>HEAD</b>				
2	2	194749	Bearing Plate Assembly	-
2.1*	1	47317	Bearing Plate	SB-221 A96061-T6
2.2	1	45070	Danger Label	-
3	2	96003	Sealing Plate	Engineering Thermoplastic.
4*	2	50556	Feed/Conc Port	SA-790 UNS S32750
5	2	45090	Port Retainer Set	CF8M Cast SS, Two-piece set.
6	2	50558	Permeate Port	Engineering Thermoplastic.
7	2	45066	Port Nut	Engineering Thermoplastic.
8	2	196223	Head Seal	Ethylene Propylene - O Ring.
9	4	196215	Port Seal	Ethylene Propylene - O Ring.
<b>HEAD INTERLOCK</b>				
10*	2	47336	Quick Release Retaining Ring	SA-479 316
<b>VESSEL SUPPORT</b>				
11	2*	52169	Saddle	Engineering Thermoplastic.
12	2*	45042	Strap Assy.	304 Stainless Steel-PVC Cushion.
13	4**	46265	Strap screw.	5/16-18 UNC, 2.5"-L, 18-8 Stainless Steel.
<b>ELEMENT INTERFACE</b>				
14	2	A/R	Adapter	Engineering Thermoplastic.
15	4	A/R	PWT Seal	Ethylene Propylene - O - Ring
16	2	196222	Adapter seal	Ethylene Propylene - O - Ring
17	1	45069	Thrust Ring	Engineering Thermoplastic.



Dash Length	L IN(MM)	F IN(MM)	S IN(MM)	Approx Weight LB(KG)**
-1	65.12 (1654)	62.63 (1591)	30X1 (762)	107 (48)
-2	105.12 (2670)	102.63 (2607)	70X1 (1778)	146 (66)
-3	145.12 (3686)	142.63 (3623)	110X1 (2794)	185 (84)
-4	185.12 (4702)	182.63 (4639)	75X2 (1905)	224 (102)
-5	225.12 (5718)	222.63 (5655)	95X2 (2413)	264 (120)
-6	265.12 (6734)	262.63 (6671)	115X2 (2921)	303 (137)
-7	305.12 (7750)	302.63 (7687)	135X2 (3429)	342 (155)
-8	345.12 (8766)	342.63 (8703)	155X2 (3937)	381 (173)

**GENERAL NOTES:**  
 1. DIMENSIONS ARE IN INCHES (MM APPROX.).  
 2. SHELL EXTERIOR COATED WITH WHITE RAL 9003, HIGH GLOSS POLYURETHANE PAINT.  
 3. ITEM 17 DOWNSTREAM ONLY.  
 4. NOT TO BE USED FOR CONSTRUCTION UNLESS CERTIFIED BY PENTAIR.  
 5. GENERAL TOLERANCES APPLY, FOR DETAILS CONTACT FACTORY.  
 6. "L" REFERS TO OVERALL LENGTH OF THE VESSEL.  
 \* ASME PARTS.  
 \*\* APPROX. WEIGHT REFERS TO SHELL WEIGHT INCLUDING HEAD ASSEMBLIES WITHOUT MEMBRANES.

THIS DOCUMENT AND THE INFORMATION CONTAINED HEREIN, ARE THE CONFIDENTIAL AND PROPRIETARY INFORMATION OF PENTAIR WATER INDIA PVT. LTD. PENTAIR WATER INDIA PVT. LTD. IS THE SOLE OWNER OF THE INFORMATION AND PROCESSES DEFINED HEREIN. THIS DOCUMENT, AND THE INFORMATION CONTAINED, MAY NOT BE DISCLOSED, REPRODUCED, DUPLICATED, USED, SOLD, PUBLISHED, COMMUNICATED OR OTHERWISE DISTRIBUTED, IN WHOLE OR IN PART, FOR ANY PURPOSE WITHOUT THE EXPRESS WRITTEN CONSENT OF PENTAIR WATER INDIA PVT. LTD. THIS DOCUMENT AND ANY COPIES, IN ALL APPLICABLE FORMATS, SHALL BE RETURNED TO PENTAIR WATER INDIA PVT. LTD. UPON REQUEST.

ALL INDICATED PENTAIR TRADEMARKS AND LOGOS ARE PROPERTY OF PENTAIR. THIRD PARTY REGISTERED AND UNREGISTERED TRADEMARKS AND LOGOS ARE PROPERTY OF THEIR RESPECTIVE OWNERS. BECAUSE WE ARE CONTINUOUSLY IMPROVING OUR PRODUCTS AND SERVICES, PENTAIR RESERVES THE RIGHT TO CHANGE SPECIFICATIONS WITHOUT PRIOR NOTICE. PENTAIR IS AN EQUAL OPPORTUNITY EMPLOYER.

©2021 Pentair. All Rights Reserved.

**PENTAIR CODELINE**  
 VERNA, GOA INDIA

DRAWN BY: SK	DRAWING DESCRIPTION: MODEL - 80E120 MEMBRANE HOUSING	DRAWING NO.: 99110	REV.: AH
DATE: 13DEC16	CUSTOMER NAME:	VESSEL MODEL: 80E120	
CHECKED BY: KPS	DATE: 13DEC16	PROJECT NAME:	TOTAL QTY:
APPROVED BY: MKS	DATE: 13DEC16	CUSTOMER P.O.#:	SIZE: A3
ECN NO.: 6781	REV. DATE: 20MAY24	SCALE: NONE	PAGE NO.: 01 OF 02

**RATING:**

DESIGN PRESSURE/MAWP.....1200 PSI  
 (8.27 MPa )  
 MAX.ALLOWABLE TEMP.....120°F  
 (49°C)  
 MIN.ALLOWABLE TEMP.....20°F  
 (-7°C)  
 FACTORY TEST PRESSURE.....1320 PSI  
 (9.10 MPa)  
 BURST PRESSURE.....7200 PSI  
 (49.64 MPa)

**INTENDED USE:**

The CodeLine Model 80E120 Fiberglass RO Pressure Vessel is designed for continuous, long term use as a housing for reverse osmosis membrane elements to desalt typical sea waters at pressures up to 1200 psi. Any make of eight-inch nominal diameter spiral-wound element is easily accommodated; the appropriate interfacing hardware for the element specified is furnished with the vessel.

The CodeLine Model 80E120 is designed in accordance with the engineering standards of the Boiler and Pressure Vessel Code of the American Society of Mechanical Engineers (ASME Code) Section X Edition 2023. F/C port, Bearing plate and Quick release spiral ring are designed as per ASME Section VIII Division I Edition 2023.

At small additional cost, vessels can be inspected during construction by an ASME Authorized inspector and ASME Code stamped.

The CodeLine Model 80E120 must be installed, operated and maintained in accordance with the listed precautions and good industrial practice to assure safe operation over a long service life.

The high performance reinforced plastic shell must be allowed to expand under pressure; undue restraint at support points or piping connections can cause leaks to develop in the shell. The end closure, incorporating close fitting, interlocking metal components, must be kept dry and free of corrosion; deterioration can lead to catastrophic mechanical failure of the head.

The end closures, incorporating close-fitting, interlocking metal components, must be kept dry and free of corrosion; deterioration can lead to catastrophic mechanical failure of the heads.

Pentair will assist the purchaser in determining the suitability of this standard vessel for their specific operating conditions. The final determination however, including evaluation of the standard material of construction for compatibility with the specific corrosive environment, shall be the responsibility of the purchaser.

Specifications are subject to change without notice.

**PRECAUTIONS:**

DO...read, understand and follow all instructions; failure to take every precaution will void warranty and may result in vessel failure  
 DO...mount the shell on horizontal members at span "S" using complaint vessel supports furnished; tighten hold down straps just snug  
 DO...provide overpressure protection for vessel set at not more than 105% of design pressure  
 DO...inspect end closures regularly; replace components that have deteriorated and correct causes of corrosion

DO NOT... make rigid piping connections to ports or clamp vessel in any way that resists growth of fiberglass shell under pressure; ΔDIA = 0.015 in. (0.4mm) and ΔL = 0.2 in. (5mm) for a length code -8 vessel

DO NOT... hang piping manifolds from ports or use vessel in any way to support other components; branch connection piping may be simply supported between the header and port; maximum weight of branch piping; feed/concentrate – 16 lbs (7.3 kg); permeate – 8 lbs (3.6 kg)

DO NOT... operate vessel at pressures and temperatures in excess of its rating

DO NOT... operate vessel without permeate ports internally connected with a complete set of elements and interconnecting hardware

DO NOT... operate vessel with permeate pressure in excess of 125 psi at 120°F (0.86 MPa at 49°C)

DO NOT... overtighten the connection to the permeate port (hand-tighten plus one-quarter turn, check for leaks)

DO NOT... tolerate leaks or allow end closures to be routinely wetted in any way

DO NOT... pressurize vessel until double-checking to verify that the retaining ring is completely inside the groove

DO NOT... work on any component until first verifying that pressure is relieved from vessel

DO NOT... operate outside the pH range 3-11.

DO NOT...operate outside the pH range 2-12 for cleaning.

DO NOT...exceed 43.5 hours in a year for cleaning with above mentioned pH range.

**ORDERING:**

Using the chart below, please check the features you require and fax them with your purchase order to our customer service department for expedited processing.  
 For optional materials and/or features not listed below, please consult factory for pricing and availability.

Please note that we require your membrane brand and model number when ordering. If this information is not initially available, you may provide it at a later date by checking the appropriate box below.

**VESSEL LENGTH CODE – please check one**

MODEL 80E120  -1  -2  -3  -4  -5  -6  -7  -8

**MEMBRANE BRAND AND MODEL – please check one and fill in information**

Please supply adapters for the following membrane brand and specific model  
 Brand \_\_\_\_\_ Model \_\_\_\_\_

**CERTIFICATION REQUIRED**

- Hydro testing at 1.1 times the design pressure.
  - ASME Stamped and National Board Registered.
  - In compliance with the ASME Sec X but not Code Stamped.
  - CE Marked – MODULE-D1, CATEGORY-2

**EXTERIOR FINISH – please check one**

- white high-gloss polyurethane coating.
- optional colors are available for 50 or more vessels per order.  
 Call factory for pricing details.

**MATERIAL OPTIONS**

- All materials as per drawing on the first page.
- Customer specified materials: -  
 (Please consult the factory, as these options will affect pricing and vessel lead-time.)

For complete information on proper use of this vessel please refer to the 80E series USER'S GUIDE Bulletin 523004.

THIS DOCUMENT AND THE INFORMATION CONTAINED HEREIN, ARE THE CONFIDENTIAL AND PROPRIETARY INFORMATION OF PENTAIR WATER INDIA PVT. LTD. PENTAIR WATER INDIA PVT. LTD. IS THE SOLE OWNER OF THE INFORMATION AND PROCESSES DEFINED HEREIN. THIS DOCUMENT, AND THE INFORMATION CONTAINED, MAY NOT BE DISCLOSED, REPRODUCED, DUPLICATED, USED, SOLD, PUBLISHED, COMMUNICATED OR OTHERWISE DISTRIBUTED, IN WHOLE OR IN PART, FOR ANY PURPOSE WITHOUT THE EXPRESS WRITTEN CONSENT OF PENTAIR WATER INDIA PVT. LTD. THIS DOCUMENT AND ANY COPIES, IN ALL APPLICABLE FORMATS, SHALL BE RETURNED TO PENTAIR WATER INDIA PVT. LTD. UPON REQUEST.

ALL INDICATED PENTAIR TRADEMARKS AND LOGOS ARE PROPERTY OF PENTAIR. THIRD PARTY REGISTERED AND UNREGISTERED TRADEMARKS AND LOGOS ARE PROPERTY OF THEIR RESPECTIVE OWNERS. BECAUSE WE ARE CONTINUOUSLY IMPROVING OUR PRODUCTS AND SERVICES, PENTAIR RESERVES THE RIGHT TO CHANGE SPECIFICATIONS WITHOUT PRIOR NOTICE. PENTAIR IS AN EQUAL OPPORTUNITY EMPLOYER.

© 2021 Pentair. All Rights Reserved.



DRAWN BY:	SK	DRAWING DESCRIPTION:	DRAWING NO.:	REV.:
DATE:	13DEC16	MODEL - 80E120 MEMBRANE HOUSING	99110	AH
CHECKED BY:	KPS	CUSTOMER NAME:	VESSEL MODEL:	
DATE:	13DEC16	-	80E120	
APPROVED BY:	MKS	PROJECT NAME:	TOTAL QTY:	
DATE:	13DEC16	-	-	
ECN NO.:	6781	CUSTOMER P.O.#:	SIZE:	SCALE:
REV. DATE:	20MAY24	-	A3	NONE
			PAGE NO.:	02 OF 02